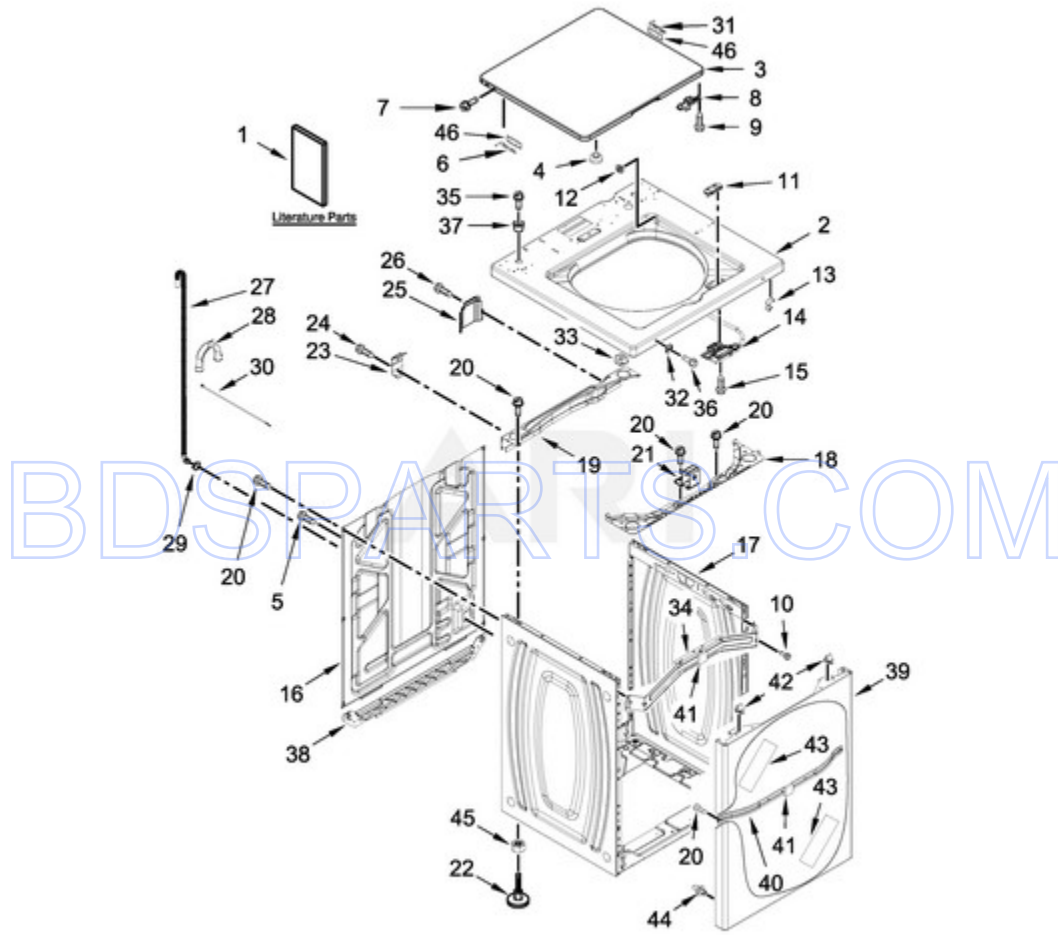


MAT20PDAWW0 - 02 - TOP AND CABINET PARTS

TOP AND CABINET PARTS

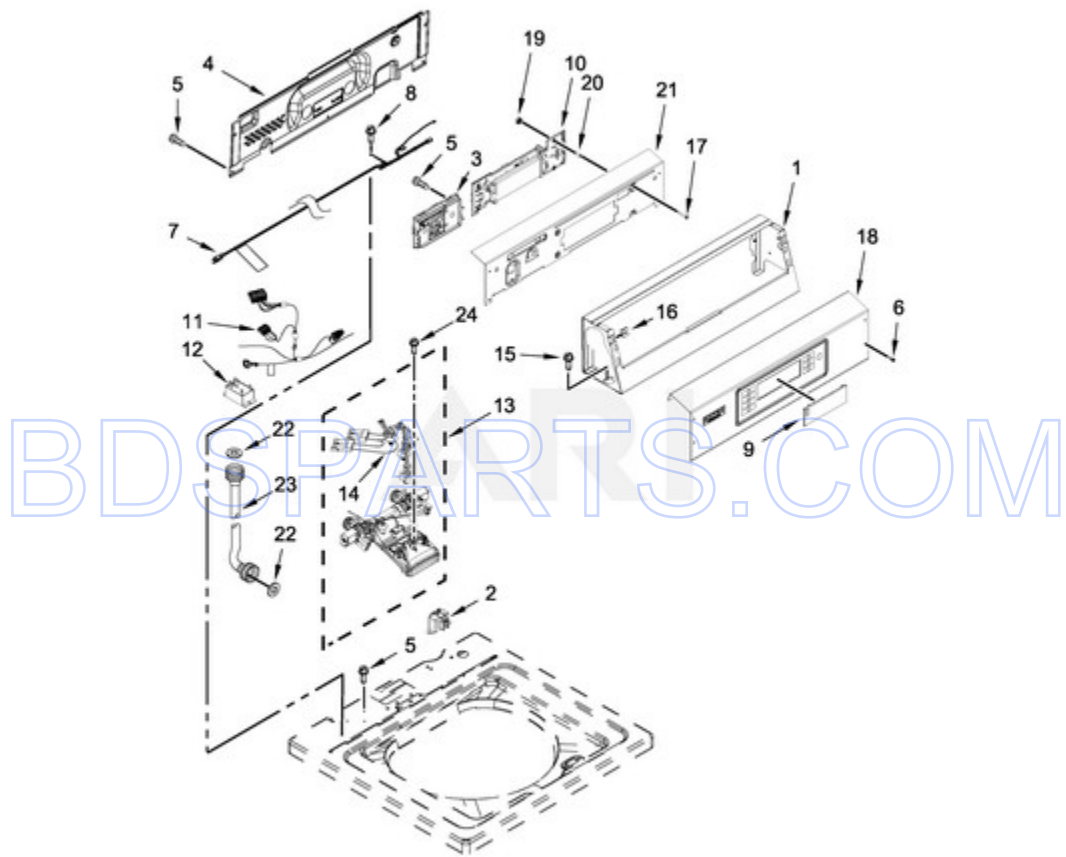


| Ref # | Part # | Description | Qty | Context | Note | MSRP |
|-------|-----------|----------------------------------|-----|---------|------|------|
| 22 | W10245373 | FOOT, LEVELING | | | | |
| 45 | 3359452 | NUT, HEX | | | | |
| 10 | W10015090 | SCREW | | | | |
| 41 | 8283273 | DAMPER, BRACE | | | | |
| 29 | 356138 | CLAMP, HOSE | | | | |
| 33 | 90406 | NUT, CAGE | | | | |
| 37 | 356674 | CONE, WEDGE | | | | |
| 46 | 21097 | PAD, LID HINGE | | | | |
| 6 | 91770 | HINGE, LID (LEFT HAND) | | | | |
| 12 | 21258 | BEARING, LID HINGE | | | | |
| 13 | 90016 | CLIP, HARNESS | | | | |
| 35 | 3353994 | BOLT | | | | |
| 31 | 54583 | HINGE, LID (RIGHT HAND) | | | | |
| 5 | 9740848 | SCREW | | | | |
| 26 | 3400076 | SCREW | | | | |
| 24 | W10142728 | SCREW | | | | |
| 3 | W10461179 | ASSEMBLY, LID AND BUMPER (WHITE) | | | | |
| 4 | W10525268 | BUMPER, LID | | | | |
| 7 | W10119872 | SCREW | | | | |
| 8 | W10240513 | STRIKE, LID LOCK (WHITE) | | | | |
| 9 | W10273971 | SCREW | | | | |
| 11 | W10392041 | BEZEL, LID LOCK (WHITE) | | | | |
| 14 | W10482836 | LATCH, LID LOCK ASSEMBLY | | | | |
| 15 | W10588613 | SCREW | | | | |
| 16 | W10250884 | PANEL, REAR | | | | |
| 21 | W10461182 | LOCK, TOP | | | | |
| 23 | W10461176 | HINGE, TOP | | | | |
| 25 | W10461180 | COVER, HARNESS | | | | |
| 27 | W10221546 | HOSE, OUTER DRAIN ASSEMBLY | | | | |
| 28 | W10280024 | U-BEND, DRAIN HOSE | | | | |
| 30 | W10339879 | TIE, CABLE | | | | |
| 36 | W10486616 | SCREW | | | | |
| 32 | W10461181 | BUSHING-TOP, SCREW | | | | |
| 17 | W10845574 | CABINET (WHITE) | | | | |
| 18 | W10724131 | BRACE, CABINET TOP FRONT (WHITE) | | | | |
| 19 | W11089573 | BRACE, CABINET TOP - REAR | | | | |
| 20 | W10660565 | SCREW | | | | |
| 34 | W10882494 | BRACKET, FRONT TOP | | | | |
| 38 | W10850379 | BRACKET, BASE | | | | |

| Ref # | Part # | Description | Qty | Context | Note | MSRP |
|--------------|---------------|---------------------------|------------|----------------|-------------|-------------|
| 39 | W10811028 | PANEL, FRONT (WHITE) | | | | |
| 40 | W10866521 | BRACKET, FRONT PANEL | | | | |
| 42 | W10862638 | LOCK, TOP FRONT | | | | |
| 43 | W10414221 | DAMPER, SOUND | | | | |
| 44 | W10866523 | RIVET | | | | |
| 2 | W10845292 | TOP (WHITE) | | | | |
| 1 | W10837721 | INSTALLATION INSTRUCTIONS | | | | |
| 1A | W10838072 | TECH SHEET | | | | |

BDSPARTS.COM

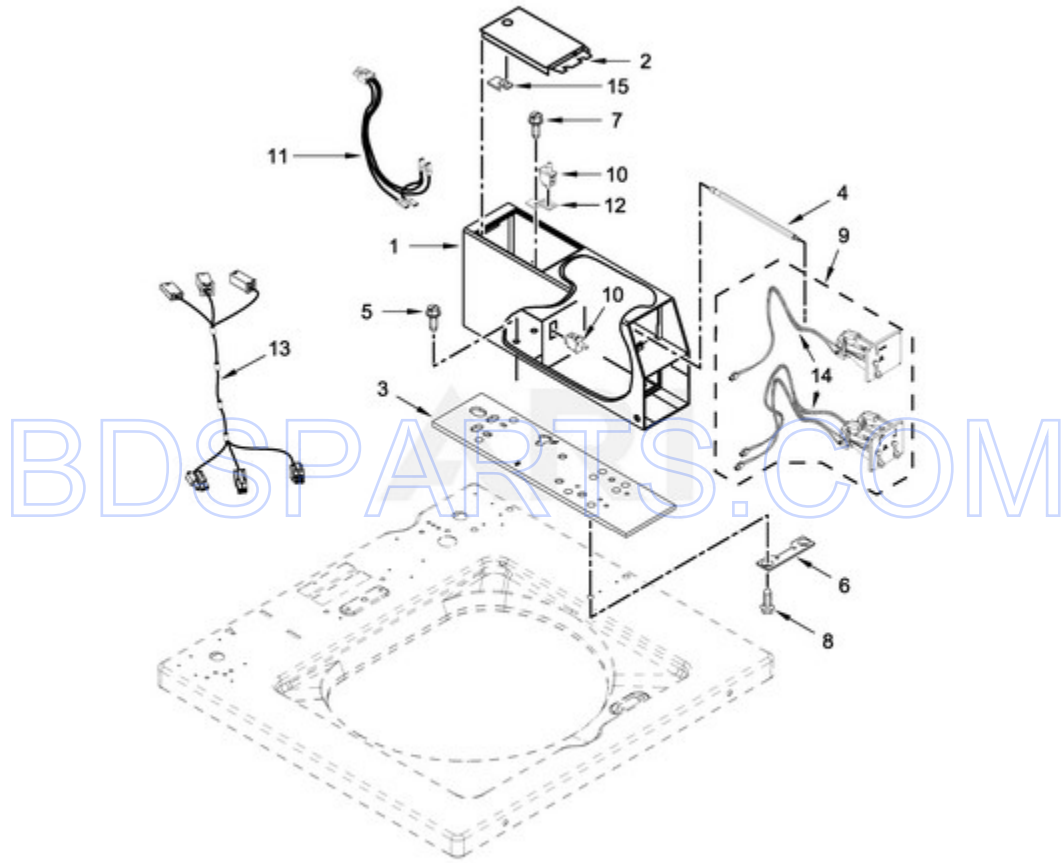
CONTROLS AND WATER INLET PARTS



| Ref # | Part # | Description | Qty | Context | Note | MSRP |
|-------|-----------|---|-----|---------|------|------|
| 19 | W10139046 | NUT | | | | |
| 9 | W10267645 | COVER, DISPLAY | | | | |
| 6 | W10131119 | SCREW M4X13 | | | | |
| 8 | 3400076 | SCREW | | | | |
| 15 | 3390631 | SCREW | | | | |
| 22 | W10242307 | WASHER, HOSE | | | | |
| 2 | W10131839 | TRANSFORMER | | | | |
| 1 | W10461094 | CONSOLE | | | | |
| 16 | W10131123 | NUT, "U" | | | | |
| 17 | W10137322 | SCREW | | | | |
| 20 | W10133514 | STANDOFF, CIRCUIT BOARD | | | | |
| 4 | W10461159 | PANEL, CONSOLE REAR COVER | | | | |
| 21 | W10845300 | BRACKET, CONTROL | | | | |
| 5 | W10660565 | SCREW | | | | |
| 13 | W10843663 | INLET ASSEMBLY, WATER | | | | |
| 14 | W10843398 | HARNESS, VALVE | | | | |
| 12 | W11032871 | RELAY | | | | |
| 23 | W10852720 | HOSE, WATER INLET (COLD) | | | | |
| 23A | W10852721 | HOSE, WATER INLET (HOT) | | | | |
| 24 | W10213953 | SCREW | | | | |
| 3 | W10850499 | CONTROL UNIT ASSEMBLY, MACHINE & MOTOR | | | | |
| 7 | W10916258 | CORD, POWER | | | | |
| 10 | W11113310 | USER INTERFACE | | | | |
| 11 | W10843665 | HARNESS, UPPER | | | | |
| 18 | W10821626 | FASCIA | | | | |

MAT20PDAWW0 - 04 - METER CASE PARTS

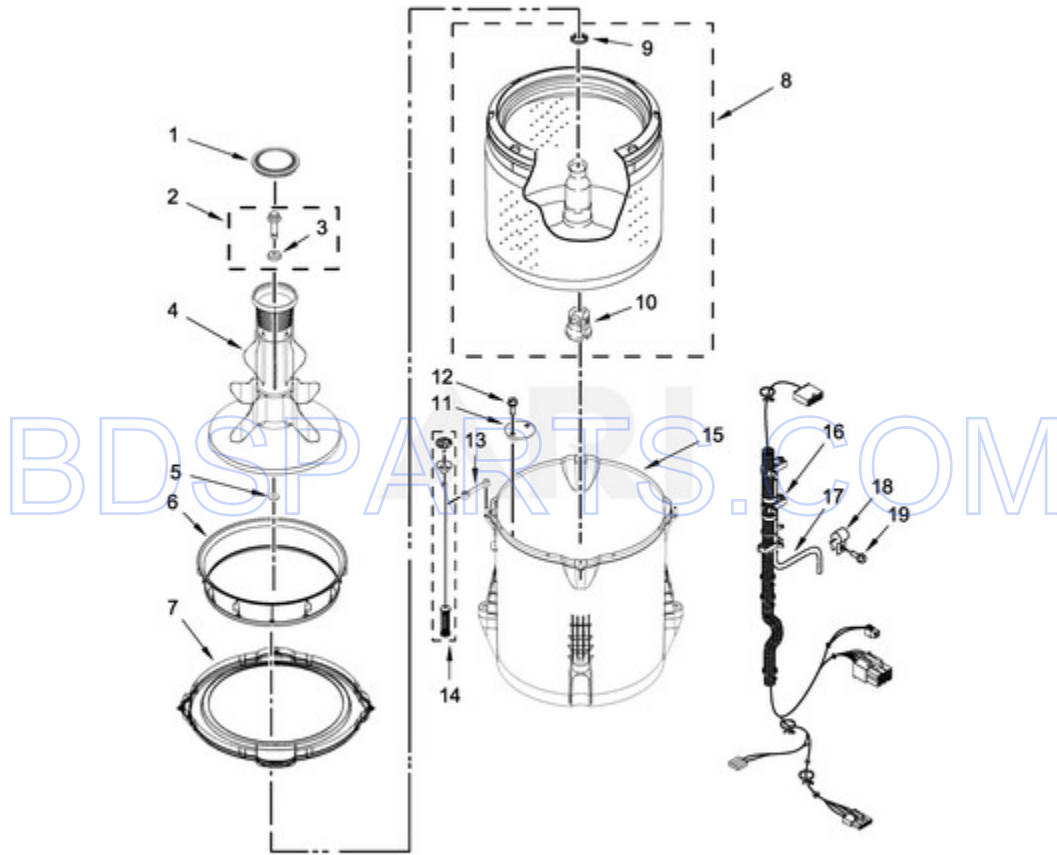
METER CASE PARTS



| Ref # | Part # | Description | Qty | Context | Note | MSRP |
|-------|-----------|---|-----|---------|------|------|
| 6 | 3347825 | PLATE, MOUNTING | | | | |
| 8 | 98445 | SCREW | | | | |
| 5 | 3349065 | BOLT | | | | |
| 2 | 3351136 | ASSEMBLY, SERVICE DOOR | | | | |
| 3 | 3954812 | CUSHION, METER CASE | | | | |
| 10 | W10131838 | SWITCH, VAULT SERVICE DOOR | | | | |
| 12 | W10133508 | BRACKET, SERVICE SWITCH | | | | |
| 7 | W10139210 | SCREW | | | | |
| 11 | W10211244 | HARNESS, WIRE (SERVICE SWITCH) | | | | |
| 15 | W10156125 | CAM, COMMERCIAL LOCK | | | | |
| 14A | W10247388 | COIN OPTIC SENSOR ASSEMBLY (BLACK) | | | | |
| 14 | W10247389 | COIN OPTIC SENSOR ASSEMBLY (WHITE) | | | | |
| 9 | W10133242 | ASSEMBLY, SINGLE COIN DROP | | | | |
| 4 | W10137319 | BOLT, HEX BAR | | | | |
| 1 | W10529176 | METER CASE | | | | |
| 9A | W10198395 | ASSEMBLY, DUAL COIN DROP MDE20PDAZW2 | | | | |
| 13 | W10491633 | HARNESS, COIN EXTENDER | | | | |

MAT20PDAWW0 - 05 - BASKET AND TUB PARTS

BASKET AND TUB PARTS



07/07/2017

8

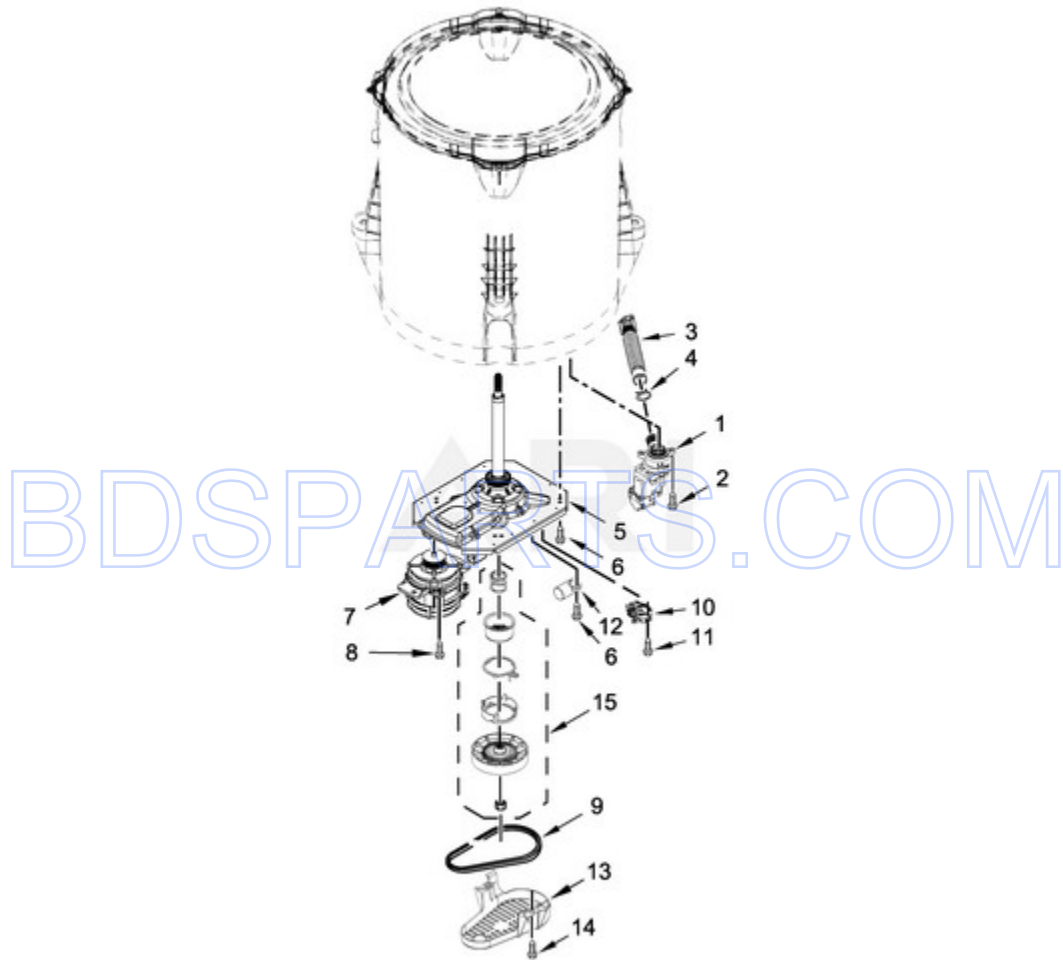
Part No. W10838142 Rev. B

Page design © 2004-2017 by ARI Network Services, Inc.

| Ref # | Part # | Description | Qty | Context Note | MSRP |
|-------|-----------|--|-----|--------------|--------|
| 9 | 21366 | NUT, SPANNER | | | 4.33 |
| 3 | 3949550 | WASHER | | | 6.38 |
| 2 | W10003790 | SCREW AND WASHER | | | 4.20 |
| 1 | W10131111 | CAP, AGITATOR | | | 4.33 |
| 4 | W10131112 | AGITATOR | | | 67.22 |
| 7 | W10461196 | RING, TUB | | | 66.63 |
| 8 | W10389330 | BASKET ASSEMBLY | | | 118.49 |
| 10 | W10198148 | BLOCK, BASKET DRIVE | | | 7.89 |
| 15 | W10238320 | TUB | | | 169.10 |
| 11 | W10215093 | FILTER, DRAIN PUMP | | | 23.71 |
| 12 | 8533928 | SCREW | | | 4.33 |
| 17 | W10531633 | HOSE, PRESSURE SWITCH | | | 33.33 |
| 18 | W10005430 | CLAMP, CABLE | | | 5.25 |
| 19 | 8533943 | SCREW | | | 4.33 |
| 6 | W10424289 | ADAPTER, BALANCE RING | | | 29.51 |
| 5 | W10755559 | RUBBER WASHER, IMPELLER | | | 3.32 |
| 13 | W10839119 | STRAP, SNUBBER | | | 12.59 |
| 16 | W10843660 | HARNES, LOWER (INCLUDES PRESSURE HOSE) | | | 56.61 |
| 14 | W10821942 | DAMPER ASSEMBLY, TUB SUSPENSION (SET OF 4-INCLUDES SUSPENSION BALLS AND SUSPENSION BUSHINGS) | | | 89.14 |

MAT20PDAWW0 - 06 - GEARCASE, MOTOR AND PUMP PARTS

GEARCASE, MOTOR AND PUMP PARTS



07/07/2017

10

Part No. W10838142 Rev. B

Page design © 2004-2017 by ARI Network Services, Inc.

| Ref # | Part # | Description | Qty | Context | Note | MSRP |
|-------|-----------|----------------------------|-----|---------|------|------|
| 8 | W10094780 | SCREW | | | | |
| 14 | 357640 | SCREW | | | | |
| 4 | 8317496 | CLAMP, HOSE | | | | |
| 1 | W10276397 | PUMP ASSEMBLY, DRAIN | | | | |
| 2 | W10004910 | SCREW | | | | |
| 3 | W10763078 | HOSE, INNER DRAIN ASSEMBLY | | | | |
| 6 | W10249633 | SCREW | | | | |
| 10 | W10389471 | ACTUATOR, SHIFT | | | | |
| 11 | 9741052 | SCREW | | | | |
| 13 | W10427633 | SHIELD, PULLEY COVER | | | | |
| 15 | W10721967 | SPLUTCH KIT (60HZ) | | | | |
| 7 | W10850134 | MOTOR, DRIVE | | | | |
| 9 | W10850138 | BELT, DRIVE | | | | |
| 12 | W10625042 | CAPACITOR, MOTOR RUN | | | | |
| 5 | W11092242 | ASSEMBLY, GEARCASE | | | | |

BDS PARTS.COM