

# DRYER

## Repair Parts List

MODEL NUMBER

MDE10CSACW

BDSPARTS.COM

When requesting service or ordering parts, always provide the following information:

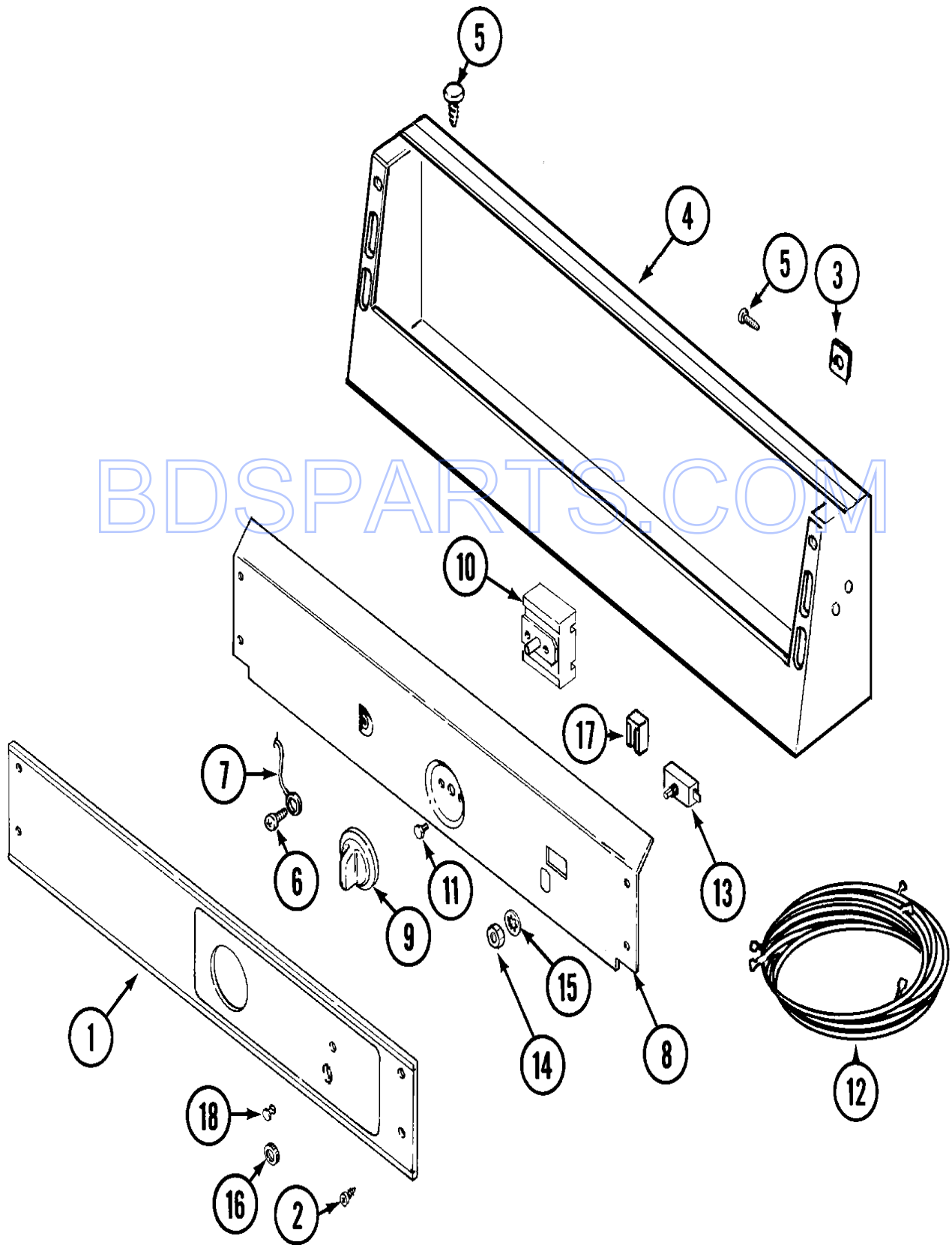
- Product Type
- Part Number
- Model Number
- Part Description

**MAYTAG**®

©2005 Maytag Services

Section: CONTROL PANEL

Model: MDE10CSACW



CD11-1

## Section: CONTROL PANEL

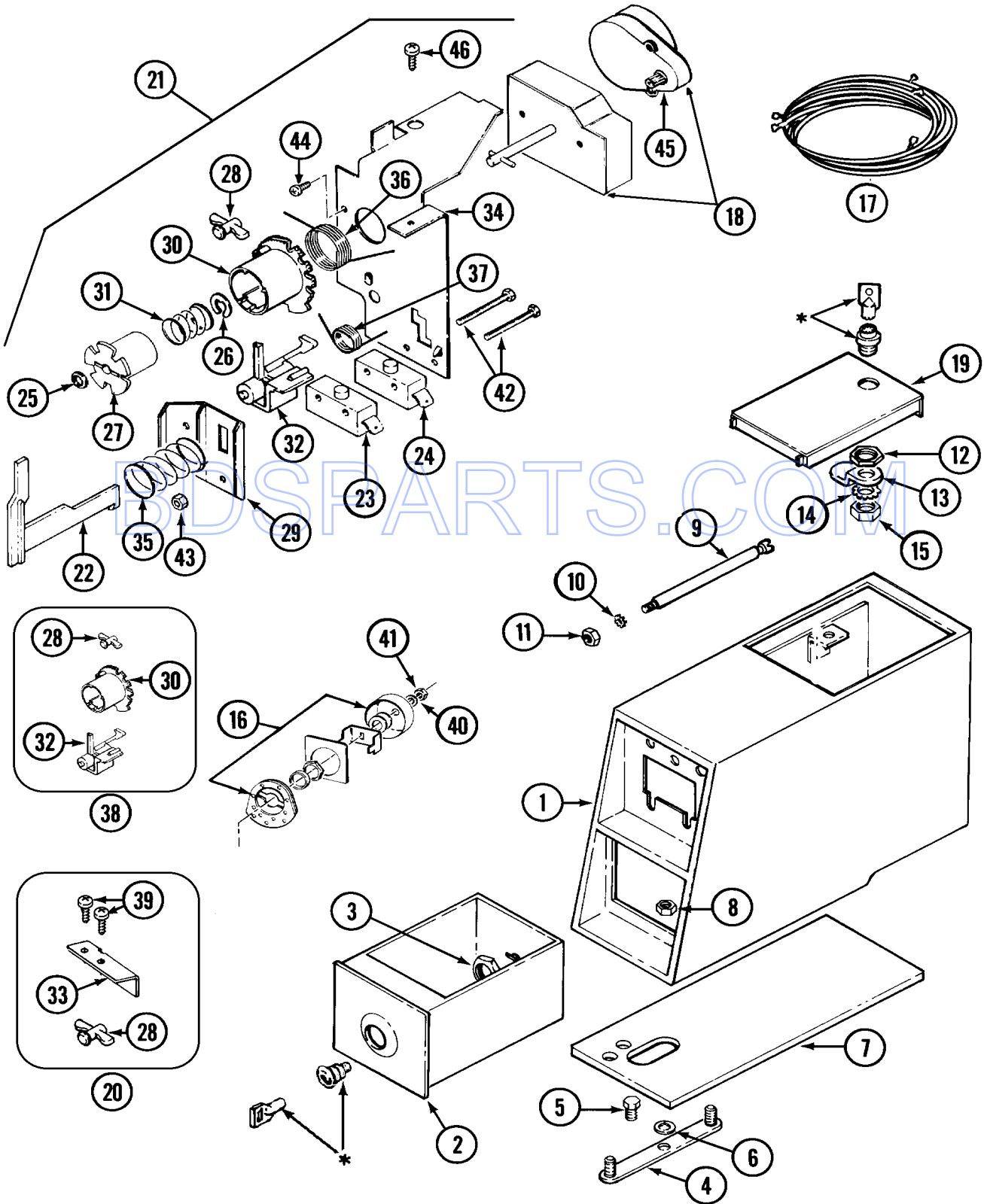
No.	Part No.	Description	Series	Qty
1	33001022	PANEL, CONTROL (CS) Note: PANEL, CONTROL	A0	1
2	215506	SCREW, TORX Note: SCREW, CONTROL PANEL	A0	4
3	215003	FASTENER Note: FASTENER, CONTROL PANEL	A0	2
4	N 306689	CONTROL COVER (WHT) Note: CONSOLE (WHT)	A0	1
5	212276	SCREW Note: SCREW, CONSOLE	A0	4
6	211252	SCREW Note: SCREW, GROUND WIRE	A0	1
7	205810	WIRE, GROUND Note: GROUND WIRE	A0	1
8	314912	BACK-UP PLATE - WHITE Note: BRACKET, CONTROL PANEL (WHT)	A0	1
9	306938	KNOB, SELECTOR SWITCH Note: KNOB, SELECTOR	A0	1
10	307237	SWITCH, CYCLE SELECTOR	A0	1
11	313588	SCREW Note: SCREW, SELECTOR SWITCH	A0	2
12	33001026	WIRE HARNESS, MAIN Note: WIRE HARNESS, MAIN	A0	1
12	33001529	HARNESS, WIRE Note: WIRE HARNESS, MAIN	16	1
13	306940	SWITCH, PUSH-TO-START	A0	1
14	Y312706	HEX NUT ON SWITCH Note: NUT, SWITCH	A0	1
15	312751	LOCK WASHER Note: WASHER, SWITCH	A0	1
16	Y312702	KNURLED NUT Note: NUT, KNURLED	A0	1
17	204075	LIGHT, INDICATOR Note: LIGHT, INDICATOR	A0	1
18	215564	LENS, INDICATOR (AMBER) Note: LENS, INDICATOR LIGHT	A0	1

BDSPARTS.COM

\*Color Code (-)=Not Shown #=Series, Serial Prefix or Run No., N=Not Available

Section: CONTROL CENTER

Model: MDE10CSACW



\* CONTACT YOUR COMMERCIAL LAUNDRY DISTRIBUTOR

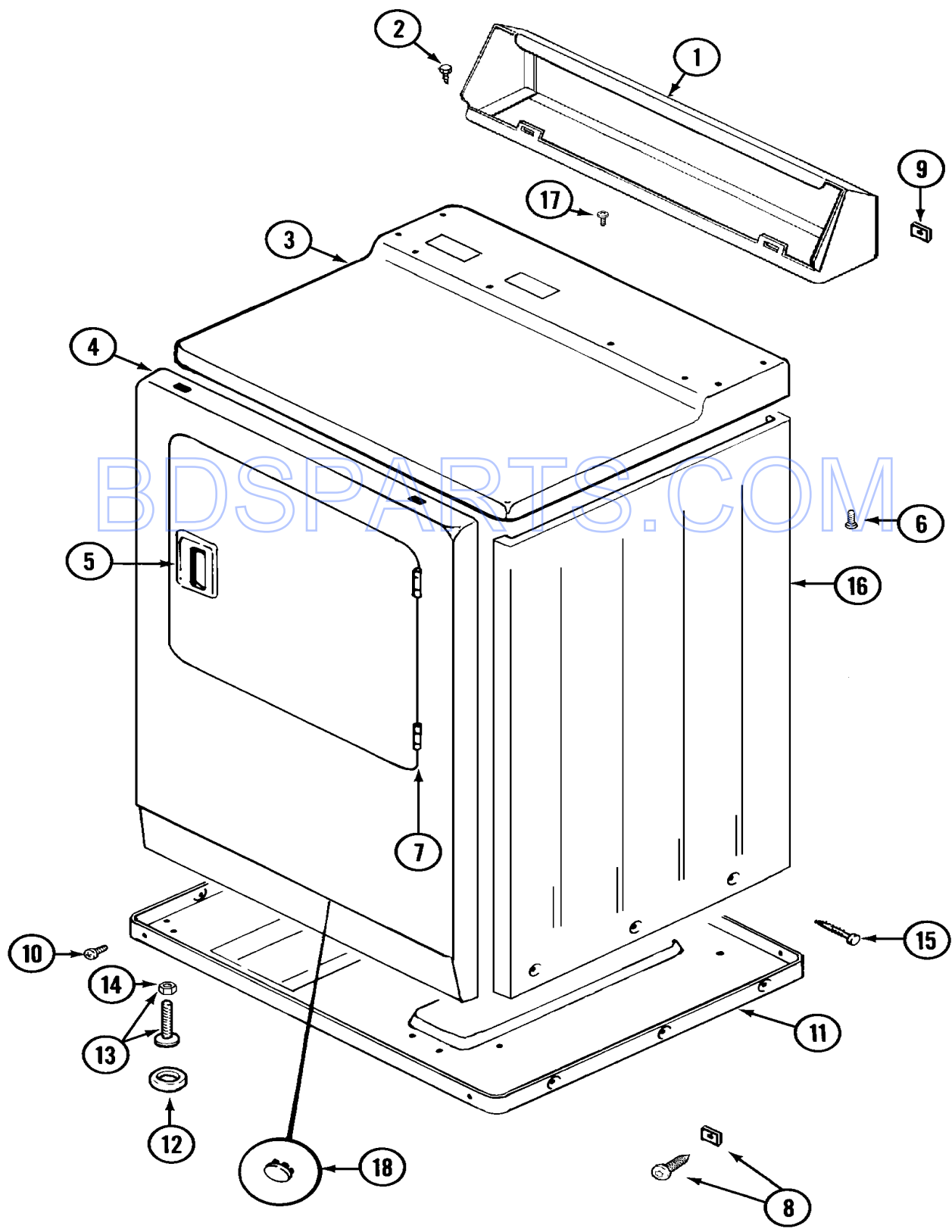
## Section: CONTROL CENTER

No.	Part No.	Description	Series	Qty
1	206952	COIN METER CASE (WHT) Note: CASE, COIN METER (WHT)	A0	1
2	207913	VAULT, COIN (WHT)	A0	1
3	212328	NUT, HEX Note: NUT, LOCKING BOLT	A0	1
4	N 203307	MTG. STRAP----NA Note: STRAP, MOUNTING	A0	1
5	211294	SCREW Note: SCREW, MOUNTING STRAP	A0	1
6	910309	WASHER Note: WASHER, STRAP SCREW	A0	1
7	214660	GASKET, METER CASE	A0	1
8	Y052740	NUT Note: NUT, CASE MOUNTING	A0	1
9	215559	BOLT, LOCKING Note: BOLT, LOCKING	A0	1
10	910387	LOCK WASHER Note: LOCKWASHER, LOCKING BOLT	A0	1
11	Y052721	NUT Note: NUT, LOCKING BOLT	A0	1
12	212328	NUT, HEX Note: NUT, CAM LOCK	A0	1
13	213750	LOCKING CAM Note: CAM, LOCK	A0	1
14	22001354	WASHER, LOCK Note: LOCKWASHER, LOCK CAM	A0	1
15	22001355	NUT Note: NUT, LOCK CAM	A0	1
-	216203	LOCKWASHER Note: LOCKWASHER, LOCK CAM	A0	1
16	N 207914	LOCK CAM ASSY. NA Note: LOCK CAM ASSEMBLY	A0	1
17	33001195	WIRE HARNESS, TIMER	A0	1
18	33001155	TIMER	A0	1
19	204216	DOOR, ACCESS (WHT)	A0	1
20	Y308109	BRACKET FOR SLIDE & ADJ RTN ST Note: ACTUATOR KIT	A0	1
21	33001275	TORSION TIMER ASSY. Note: TORSION TIMER ASSEMBLY	A0	1
22	314337	SLIDER	A0	1
23	305798	BYPASS SWITCH FOR MOTOR Note: SWITCH, BY-PASS (MOTOR)	A0	1
24	Y305799	BYPASS SWITCH FOR HEATER Note: SWITCH, BY-PASS (HEATER)	A0	1
25	211790	LOCK RING FOR TIMER SHAFT Note: RETAINER, SPRING	A0	1
26	312270	E CLIP Note: CLIP, SPRING RETAINER	A0	1
27	314330	DRIVER FOR INDEX WHEEL Note: DRIVER, INDEX WHEEL	A0	1
28	314547	ADJUSTMENT RETURN STOP Note: STOP, ADJUSTABLE RETURN	A0	1
28	314335	TIME ADJUSTMENT PEG Note: PEG, TIME ADJUSTMENT	A0	1
29	314339	SWITCH AND SLIDER BRACKET Note: BRACKET, SWITCH & SLIDER	A0	1
30	314546	INDEX WHEEL Note: WHEEL, INDEX	A0	1
31	211065	SPRING, TIMER KNOB Note: SPRING, INDEX WHEEL	A0	1
32	314548	ACTUATOR, SWITCH Note: ACTUATOR, SWITCH	A0	1
33	314334	BRACKET FOR COIN SLIDE Note: BRACKET, COIN SLIDE	A0	1
34	33001207	BRACKET, TIMER	A0	1
35	314340	HELICAL SPRING Note: SPRING, HELICAL	A0	1
36	314331	RETURN SPRING Note: SPRING, TORSION RETURN	A0	1
37	314332	ACTUATOR SPRING Note: SPRING, ACTUATOR	A0	1
38	306104	TORSION-TIMER KIT Note: ACTUATOR KIT	A0	1
39	212707	SCREW Note: SCREW, SLIDE BRACKET	A0	2
40	22001354	WASHER, LOCK Note: LOCKWASHER, CAM LOCK	A0	1
41	22001355	NUT Note: NUT, CAM LOCK	A0	1
42	315277	SCREW Note: SCREW, BY-PASS SWITCHES	A0	2
43	Y052634	HEX. NUT, #6-32 Note: NUT, BY-PASS SWITCHES	A0	2
44	910708	SCREW -RELAY TO TUB SUPPORT Note: SCREW, TIMER	A0	2
45	Y308991	MOTOR, TIMER	A0	1
46	211168	SCREW, #8 X 5/16 INCH Note: SCREW, TIMER BRACKET	A0	1

\*Color Code (-)=Not Shown #=Series, Serial Prefix or Run No., N=Not Available

Section: CABINET (FRONT)

Model: MDE10CSACW



LD12-4

**Section: CABINET (FRONT)**

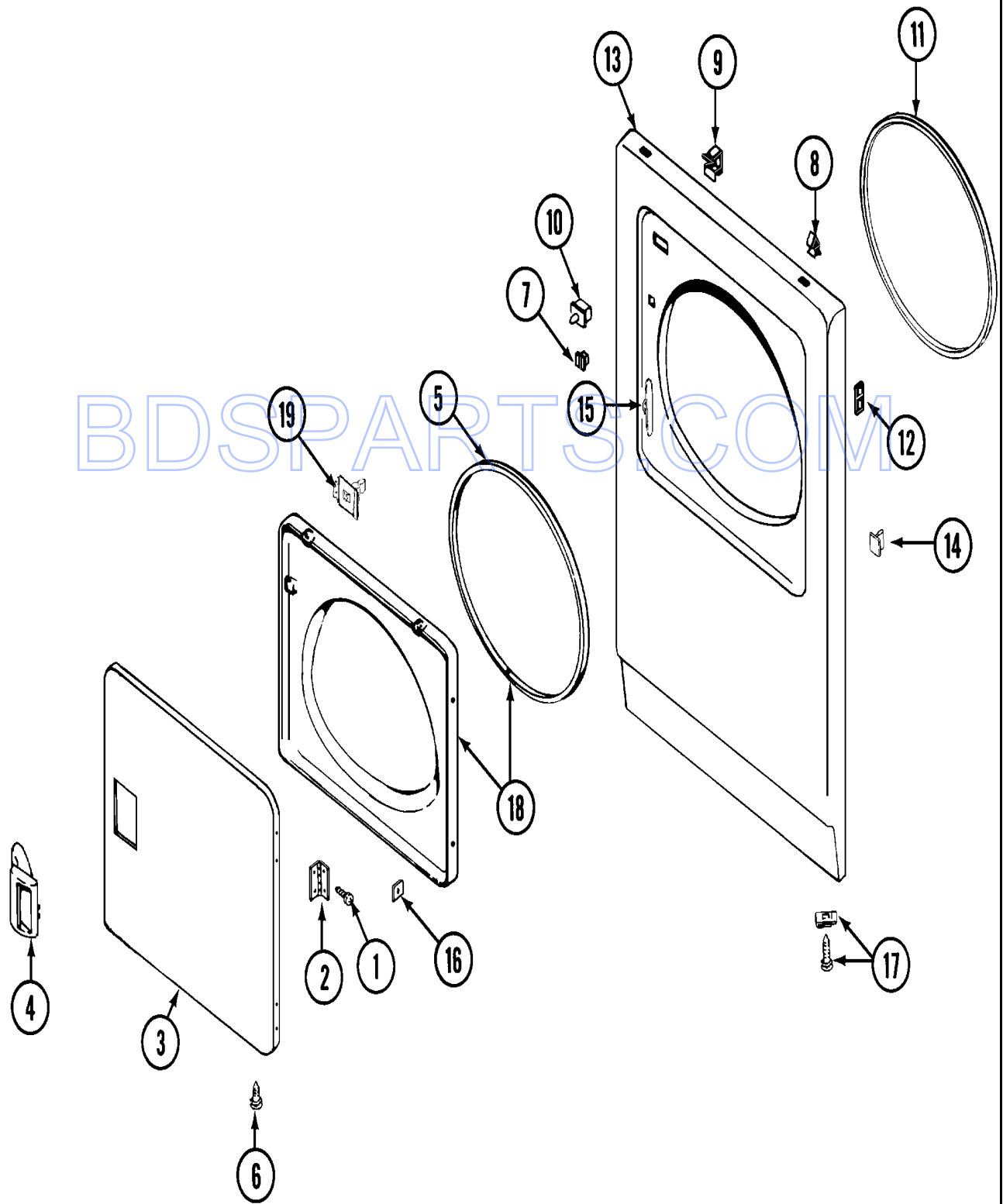
No.	Part No.	Description	Series	Qty
1	N 306689	CONTROL COVER (WHT) Note: CONSOLE (WHT)	A0	1
2	212276	SCREW Note: SCREW, CONSOLE	A0	4
3	33001163	TOP (WHT) Note: COVER, TOP (WHT)	A0	1
4	33001242	PANEL, FRONT (WHT)	A0	1
5	33001241	HANDLE, DOOR (WHT)	A0	1
6	214354	SCREW Note: SCREW, TOP COVER	A0	2
7	33001230	HINGE, DOOR	A0	2
8	204439	SCREW & FSTNER ASSY(FRT.PANEL) Note: SCREW & FASTNER ASSEMBLY	A0	1
9	215075	FASTENER,CNTRL PNL TO CONSOLE Note: FASTENER, CONSOLE	A0	2
10	310632	SCREW Note: SCREW, CABINET	A0	3
10	N 313561	SCREW----NA Note: SCREW, CABINET	A0	2
11	Y303361	BASE ASSY. Note: BASE ASSEMBLY	A0	1
12	314137	FOOT, RUBBER	A0	4
13	305086	ADJUSTABLE LEG & NUT Note: LEG & NUT	A0	4
14	Y052740	NUT Note: NUT, LEG	A0	4
15	213007	SCREW, CABINET Note: SCREW, CABINET SIDES	A0	6
16	N 33001159	CABINET (WHT)	A0	1
17	210186	SCREW, GROUND WIRE TO BASE--NA Note: SCREW, GROUND CONSOLE	A0	1
18	33001132	PLUG, SIGHT HOLE (WHT)	A0	1

BDSPARTS.COM

\*Color Code (-)=Not Shown #=Series, Serial Prefix or Run No., N=Not Available

Section: DOOR

Model: MDE10CSACW



BDS PARTS.COM



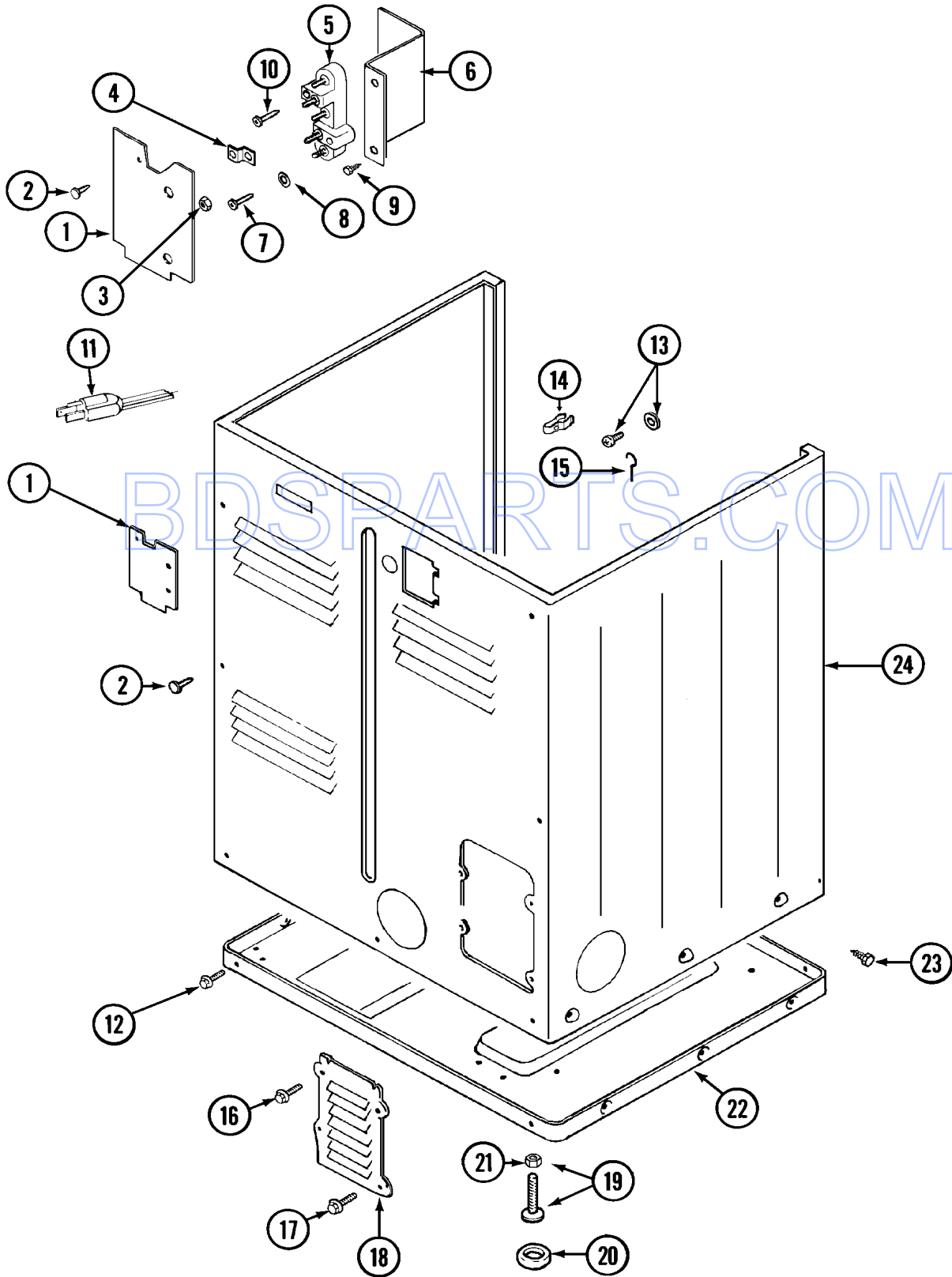
## Section: DOOR

No.	Part No.	Description	Series	Qty
1	Y314062	SCREW Note: SCREW, DOOR HINGE & PANEL	A0	14
2	33001230	HINGE, DOOR	A0	2
3	33001240	DOOR (WHT)	A0	1
4	33001241	HANDLE, DOOR (WHT)	A0	1
5	33001131	SEAL, DOOR	A0	1
6	33001132	PLUG, SIGHT HOLE (WHT) Note: PLUG, SIGHT HOLE (WHT)	A0	2
7	Y304578	CATCH, DOOR (FEMALE)	A0	2
8	212982	FASTENER, PANEL Note: FASTENER, SPRING	A0	2
9	310376	CLIP, WIRE HARNESS Note: CLIP, CABLE	A0	1
10	305753	SWITCH, DOOR	A0	1
10	33001509	SWITCH, DOOR	16	1
11	314937	SEAL, FRONT PANEL	A0	1
-	N 33001172	SCREW, PLASTIC	A0	4
12	N 33001173	NUT, SPEED Note: SPEEDNUT, HINGE SCREW	A0	4
13	33001242	PANEL, FRONT (WHT)	A0	1
14	N 33001174	PLUG, DOOR CATCH	A0	1
15	33001175	COVER, HINGE HOLE (WHT)	A0	2
16	313910	CLIP, DOOR LINER TO OUTER PNL Note: FASTENER, INNER DOOR	A0	9
17	204439	SCREW & FSTNER ASSY(FRT.PANEL) Note: SCREW & FASTNER ASSEMBLY	A0	1
18	33001243	DOOR, INNER (W/SEAL)	A0	1
-	314944	STRIKE PLATE Note: BRACKET, STRIKE	A0	1
19	314936	DOOR STRIKE Note: STRIKE, DOOR	A0	1

\*Color Code (-)=Not Shown #=Series, Serial Prefix or Run No., N=Not Available

Section: CABINET (REAR)

Model: MDE10CSACW



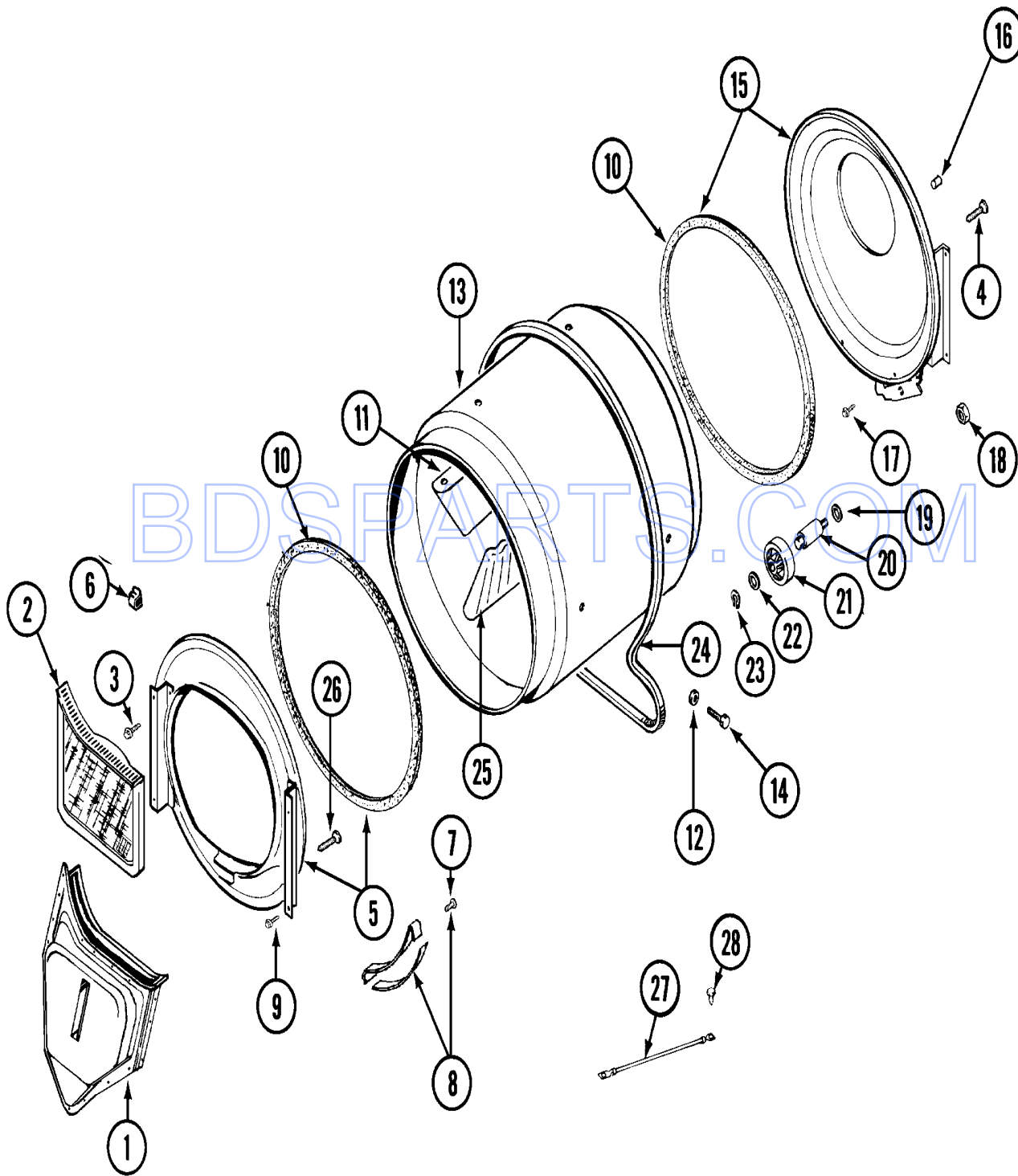
## Section: CABINET (REAR)

No.	Part No.	Description	Series	Qty
1	Y312905	COVER, TERMINAL	A0	1
2	N 313561	SCREW----NA Note: SCREW, TERMINAL COVER	A0	1
3	311484	NUT, TERMINAL BLOCK	A0	6
4	Y312184	STRAP, GROUND	A0	1
5	400008	BLOCK, TERMINAL	A0	1
6	Y312904	BRACKET, TERMINAL BLOCK	A0	1
7	Y312209	SCREW, #10-24 X 3/4 INCH Note: SCREW, TERMINAL BRACKET	A0	2
8	Y311270	WASHER, TERMINAL BLOCK Note: WASHER, TERMINAL BLOCK	A0	3
8	311093	WASHER, 7/32 INCH Note: WASHER, BRASS	A0	2
9	310632	SCREW Note: SCREW, TERMINAL BLOCK	A0	1
10	N 33001245	SCREW----NA Note: SCREW, GROUND STRAP	A0	1
12	N 313561	SCREW----NA Note: SCREW, CABINET	A0	2
12	310632	SCREW Note: SCREW, CABINET	A0	3
13	303846	SCREW & WASHER ASSY. Note: SCREW & WASHER ASSEMBLY	A0	1
14	301548	CLAMP, GROUND (W/SCREW) Note: GROUND CLAMP & SCREW	A0	1
15	204807	GRND.WIRE,SUPP.PLTE TO TOP CVR Note: GROUND WIRE	A0	1
16	313559	SCREW Note: SCREW, ACCESS COVER	A0	2
17	211294	SCREW Note: SCREW, ACCESS COVER	A0	3
18	Y312951	COVER, ACCESS	A0	1
19	305086	ADJUSTABLE LEG & NUT Note: LEG & NUT	A0	4
20	314137	FOOT, RUBBER	A0	4
21	Y052740	NUT Note: NUT, LEG	A0	4
22	Y303361	BASE ASSY. Note: BASE ASSEMBLY	A0	1
23	213007	SCREW, CABINET Note: SCREW, CABINET SIDES	A0	6
24	N 33001159	CABINET (WHT)	A0	1
24	N 33001160	CABINET (ALM) Note: (ALM)	A0	1

\*Color Code (-)=Not Shown #=Series, Serial Prefix or Run No., N=Not Available

Section: TUMBLER

Model: MDE10CSACW



LD13-4

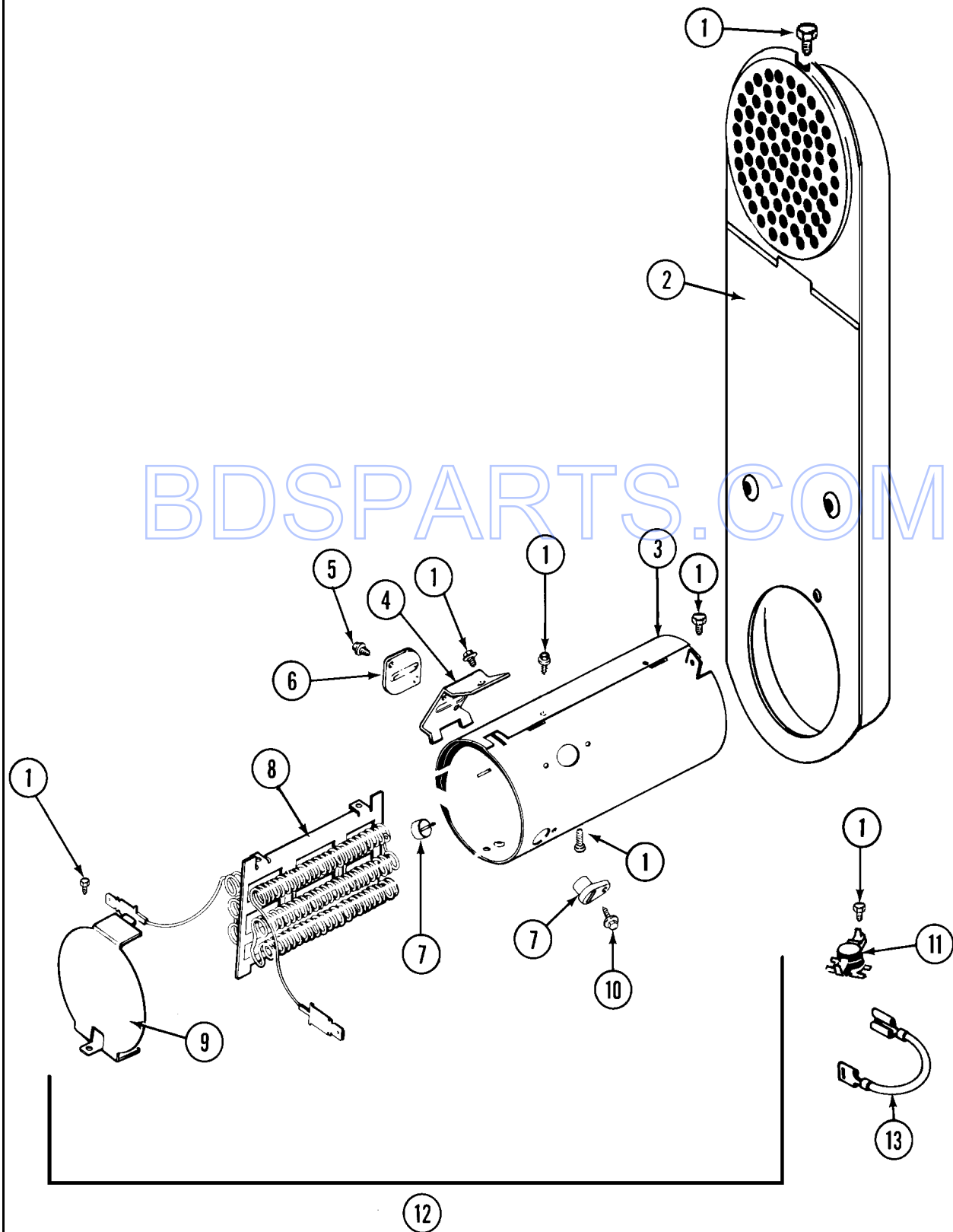
## Section: TUMBLER

No.	Part No.	Description	Series	Qty
1	33001016	DUCT ASSY., OUTLET Note: OUTLET DUCT ASSEMBLY	A0	1
2	33001170	FILTER, LINT	A0	1
3	N 313764	SCREW Note: SCREW, TUMBLER SUPPORT	A0	4
4	N 313561	SCREW----NA Note: SCREW, TUMBLER FRONT & BACK	A0	2
5	33001179	FRONT, TUMBLER (W/SEAL)	A0	1
6	310376	CLIP, WIRE HARNESS Note: CLIP, CABLE	A0	1
7	210720	RIVET	A0	4
8	306508	TUMBLER BEARING KIT Note: TUMBLER BEARING KIT	A0	2
9	310632	SCREW Note: SCREW, TUMBLER FRONT	A0	3
10	314820	SEAL, TUMBLER	A0	2
11	33001012	BAFFLE (SHORT)	A0	1
12	314158	WASHER Note: WASHER, BAFFLE	A0	6
13	33001108	DRYER TUMBLER, W/O BAFFLES	A0	1
14	Y310759	SCREW Note: SCREW, TUMBLER BAFFLE	A0	6
15	33001178	BACK, TUMBLER (W/SEAL)	A0	1
16	N 313915	COVER, THREAD	A0	4
17	310632	SCREW Note: SCREW, TUMBLER BACK	A0	3
18	312538	NUT, ROLLER SHAFT	A0	2
19	Y313347	WASHER, SPRING (ROLLER SHAFT) Note: WASHER, SPRING	A0	2
20	312948	SHAFT, TUMBLER ROLLER	A0	2
21	Y303373	BEARING & ROLLER ASSEMBLY Note: ROLLER (W/BEARING)	A0	2
22	312535	WASHER, ROLLER SHAFT	A0	2
23	410233	RING, RETAINING	A0	2
24	312959	BELT, TUMBLER & MOTOR Note: BELT, DRUM	A0	1
25	33001004	BAFFLE, TALL Note: BAFFLE (TALL)	A0	2
26	Y314110	SCREW, INLET DUCT Note: SCREW, OUTLET DUCT	A0	4
27	901220	WIRE, GROUND Note: GROUND WIRE	A0	1
28	910343	SCREW, GROUND WIRE	A0	1

\*Color Code (-)=Not Shown #=Series, Serial Prefix or Run No., N=Not Available

Section: HEATER

Model: MDE10CSACW



LD15-3

## Section: HEATER

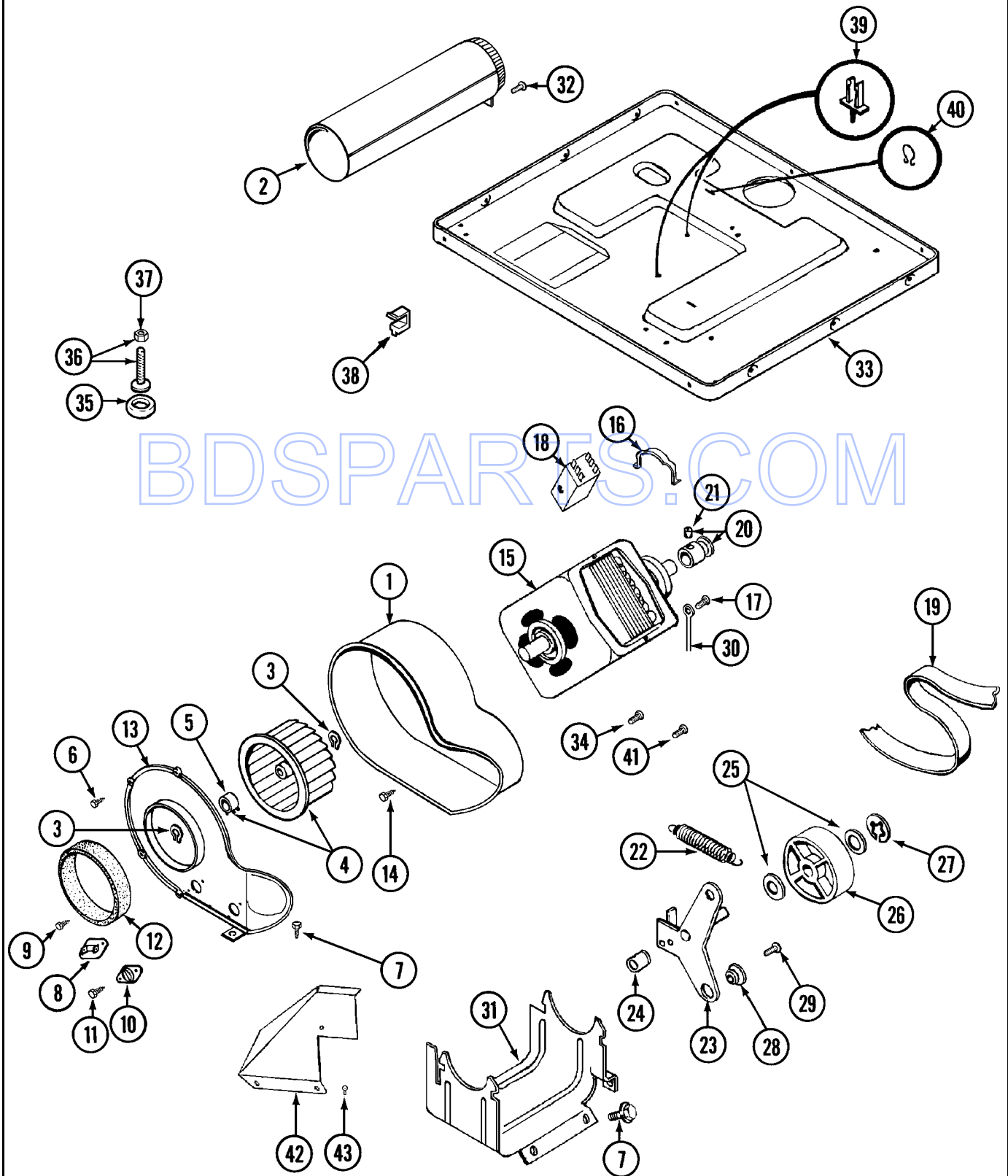
No.	Part No.	Description	Series	Qty
1	211294	SCREW Note: SCREW, HEATER	A0	12
2	308503	INLET DUCT ASSY. Note: DUCT, INLET	A0	1
3	314995	HEATER ENCLOSURE Note: ENCLOSURE, HEATER	A0	1
4	315346	BRACKET, THERMAL FUSE	A0	1
5	314848	SCREW Note: SCREW, THERMAL FUSE	A0	2
6	307473	FUSE, THERMAL	A0	1
7	314998	INSULATOR, TERMINAL	A0	2
-	Y308613	HEATER SUB-ASSEMBLY (208V) Note: HEATER SUB-ASSEMBLY (208V) (W/1,3,7 & 10)	A0	1
8	308614	HEATER SUB-ASSEMBLY Note: HEATER SUB-ASSEMBLY (240V) (W/1,3,7 & 10)	A0	1
9	314999	SHIELD, RADIANT	A0	1
10 N	314554	SCREW Note: SCREW, TERMINAL INSULATOR	A0	2
11	303396	THERMOSTAT, HI-LIMIT (ELEC)	A0	1
12	307179	HEATER ASSEMBLY(COMPLETE 240V) Note: HEATER ASSEMBLY (COMPLETE)	A0	1
13	Y307173	WIRE, JUMPER	A0	1
14	Y308590	CONVERSION KIT (240V TO 208V) Note: CONVERSION KIT (240V TO 208V)	A0	1

BDSPARTS.COM

\*Color Code (-)=Not Shown #=Series, Serial Prefix or Run No., N=Not Available

Section: MOTOR DRIVE

Model: MDE10CSACW



BDSPARES.COM



## Section: MOTOR DRIVE

No.	Part No.	Description	Series	Qty
1	312893	HOUSING, BLOWER	A0	1
2	Y303442	EXHAUST DUCT ASSY. Note: EXHAUST DUCT ASSEMBLY	A0	1
3	410233	RING, RETAINING	A0	2
4	303836	BLOWER WHEEL ASSEMBLY & CLAMP Note: IMPELLER, BLOWER (W/CLAMP)	A0	1
5	312967	CLAMP, BLOWER HOUSING	A0	1
6	312961	SCREW	A0	6
7	N 313561	SCREW----NA	A0	3
8	303392	CYCLING THERMOSTAT 140 DEG. Note: THERMOSTAT, CYCLING (140 DEG.)	A0	1
8	306967	THERMOSTAT, MULTI-TEMP	A0	1
9	211294	SCREW	A0	2
10	306604	CUT-OFF, THERMAL	A0	1
11	314848	SCREW	A0	2
12	312901	SEAL, BLOWER	A0	1
13	314778	COVER FOR BLOWER Note: COVER, BLOWER	A0	1
14	310632	SCREW	A0	4
15	303358	MOTOR	A0	1
16	Y015825	CLIP, MOTOR	A0	2
17	910343	SCREW, GROUND WIRE	A0	1
18	N 306207	SWITCH, MOTOR START-PROD. Note: SWITCH, MOTOR EXTERNAL START (#303358-8 & #303358-9)	A0	1
18	303877	SWITCH, MOTOR Note: SWITCH, MOTOR EXTERNAL START #303358-2, #303358-4, 303358-7	A0	1
18	Y303879	SWITCH, MOTOR STARTPROD. Note: SWITCH, MOTOR EXTERNAL START (#303358 & #303358-6)	A0	1
19	312959	BELT, TUMBLER & MOTOR	A0	1
20	Y305185	PULLEY, MOTOR (W/SET SCREW)	A0	1
21	Y053241	SET SCREW, PULLEY Note: SCREW, SET	A0	1
22	Y303945	IDLER SPRING ASSEMBLY Note: IDLER SPRING ASSEMBLY	A0	1
23	303363	IDLER ARM & SHAFT ASSY. Note: IDLER ARM & SHAFT ASSEMBLY	A0	1
24	Y313582	SPACER, IDLER BRACKET	A0	1
25	312527	WASHER, IDLER SHAFT (QTY-1)	A0	2
26	303705	PULLEY, IDLER Note: PULLEY, IDLER (W/BEARING)	A0	1
27	312958	RETAINING RING, IDLER SHAFT Note: RING, RETAINING	A0	1
28	N Y312894	SLEEVE, IDLER ARM	A0	1
29	Y014874	SCREW Note: SCREW, IDLER ARM & SLEEVE	A0	1
30	901220	WIRE, GROUND Note: GROUND WIRE	A0	1
31	N 312897	SUPPORT, MOTOR	A0	1
32	310632	SCREW Note: SCREW, EXHAUST DUCT	A0	1
33	Y305084	BASE Note: BASE ASSEMBLY	A0	1
34	211294	SCREW Note: SCREW, GROUND WIRE	A0	1
35	314137	FOOT, RUBBER	A0	4
36	305086	ADJUSTABLE LEG & NUT Note: LEG & NUT	A0	4
37	Y052740	NUT Note: NUT, LEG	A0	4
38	310376	CLIP, WIRE HARNESS Note: CLIP, CABLE	A0	1
39	315471	RETAINER, WIRE	A0	1
40	410490	SPRING, WIRE HARNESS	A0	2
41	312961	SCREW Note: SCREW, SPACER	A0	1
42	315122	COVER, THERMOSTAT	A0	1
43	310632	SCREW Note: SCREW, THERMOSTAT COVER	A0	2

\*Color Code (-)=Not Shown #=Series, Serial Prefix or Run No., N=Not Available

