

DRYER

Repair Parts List

MODEL NUMBER

MDE10PDACW

DDSPARTS.COM

When requesting service or ordering parts, always provide the following information:

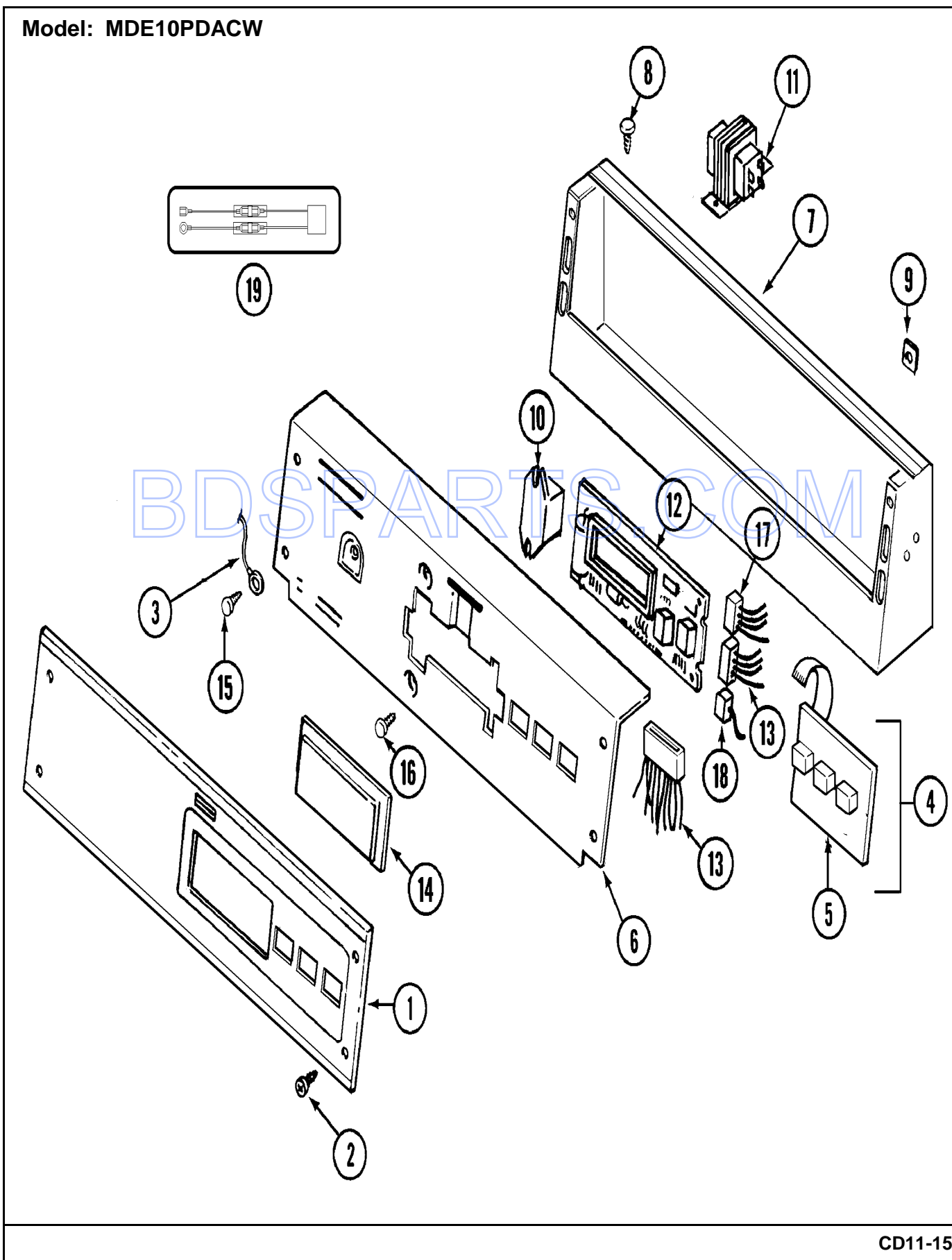
- Product Type
- Part Number
- Model Number
- Part Description

MAYTAG®

©2005 Maytag Services

Section: CONTROL PANEL

Model: MDE10PDACW



CD11-15

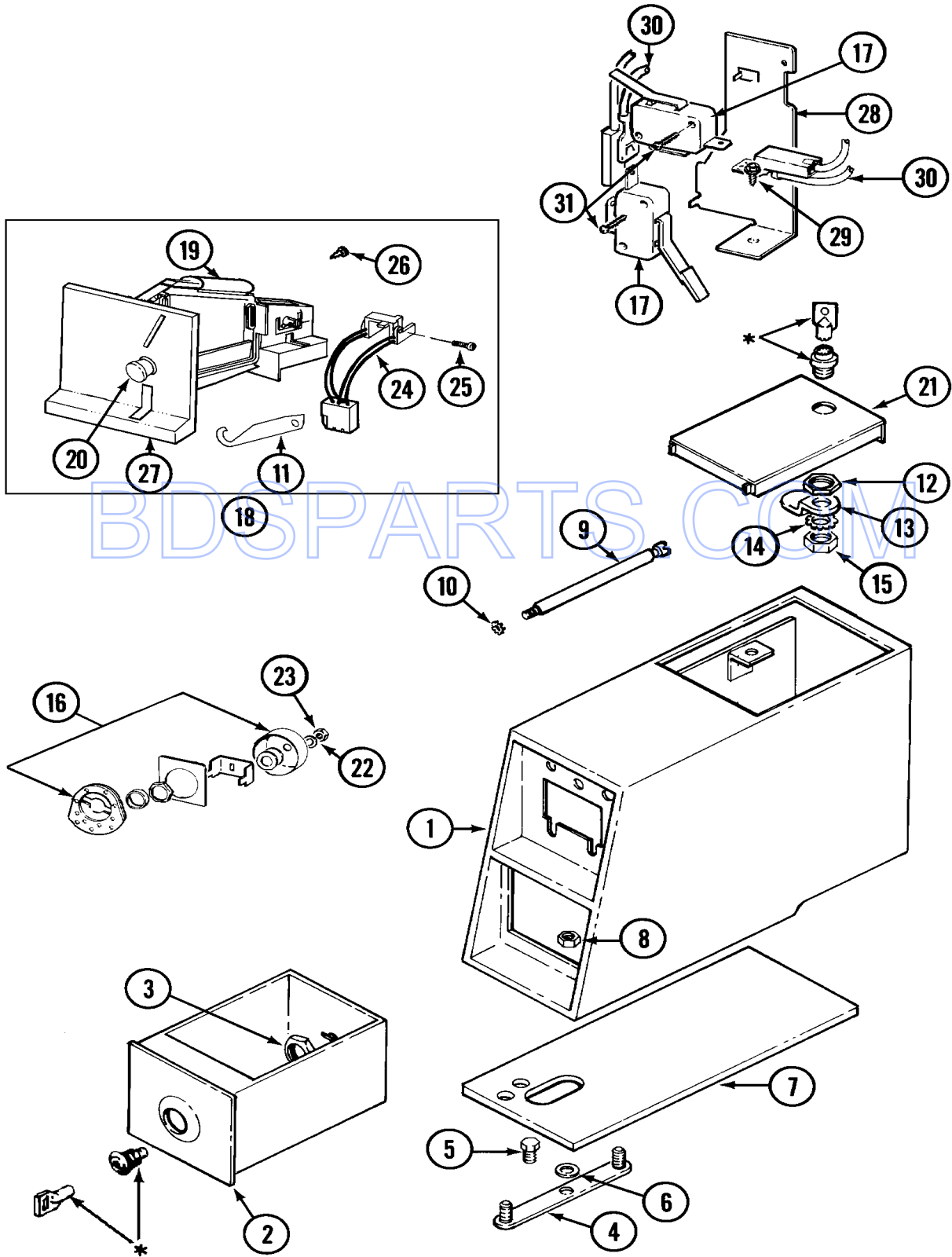
Section: CONTROL PANEL

No.	Part No.	Description	Series	Qty
1	33001020	PANEL, CONTROL (DE & DA) Note: PANEL, CONTROL	A0	1
2	215506	SCREW, TORX Note: SCREW, CONTROL PANEL	A0	4
3	205810	WIRE, GROUND Note: WIRE, GROUND	A0	1
-	215527	SCREW Note: SCREW, SWITCH	A0	2
4	306694	BACKUP PLATE WITH SWITCH Note: CONTROL SWITCH ASSEMBLY	A0	1
5	215517	PUSHBUTTON Note: PUSH BUTTON, CONTROL SWITCH	A0	1
6	N 314811	BACK BRACKET, CONTROL PANEL Note: PLATE, BACK-UP (WHT)	A0	1
7	N 306689	CONTROL COVER (WHT) Note: CONSOLE (WHT)	A0	1
8	212276	SCREW Note: SCREW, CONSOLE	A0	5
9	215003	FASTENER Note: CLIP, SCREW	A0	2
10	206824	RELAY, SPST 24VDC Note: RELAY, MOTOR	A0	1
-	212949	SCREW Note: SCREW, RELAY	A0	1
11	207766	TRANSFORMER	A0	1
-	211294	SCREW Note: SCREW, TRANSFORMER	A0	1
-	912077	LOCKNUT Note: LOCKNUT, CONTROL BOARD	A0	6
-	N 33001115	SUPPORT, BATTERY	A0	1
-	Y215513	SPACER CIRCUIT BOARD Note: SPACER, CIRCUIT BOARD	A0	4
-	33001249	BATTERY	A0	1
12	N 33001129	BOARD-NLA-MUST REFURBISH Note: BOARD, CONTROL	A0	1
13	N 33001403	WIRE HARNESS, MAIN	A1	1
13	N 33001575	WIRE HARNESS, MAIN	17	1
13	N 33001198	WIRE HARNESS, MAIN	A0	1
-	314531	EDGEBOARD CONNECTOR Note: CONNECTOR, EDGEBOARD	A0	2
14	33001208	COVER, DISPLAY	A0	1
15	211252	SCREW Note: SCREW, GROUND WIRE	A0	1
16	215526	SCREW Note: SCREW, CONTROL BOARD	A0	2
-	N 22001360	CONNECTOR, EDGEBOARD----NA Note: CONNECTOR, EDGEBOARD	A0	1
17	206799	SWITCH, OPTIC ASSY. Note: OPTIC SWITCH ASSEMBLY	A0	1
18	208045	HARNESS, WIRE (SENSOR SW'S.) Note: WIRE HARNESS (SENSOR SWITCH'S)	A0	1
-	22001361	CONNECTOR, EDGEBOARD	A0	1
19	12001279	KIT, SURGE SUPPRESSOR Note: SURGE SUPPRESSOR KIT	19	1
19	12001279	KIT, SURGE SUPPRESSOR Note: SURGE SUPPRESSOR KIT	17	1

*Color Code (-)=Not Shown #=Series, Serial Prefix or Run No., N=Not Available

Section: CONTROL CENTER

Model: MDE10PDACW



* CONTACT YOUR COMMERCIAL LAUNDRY DISTRIBUTOR

CW14-3

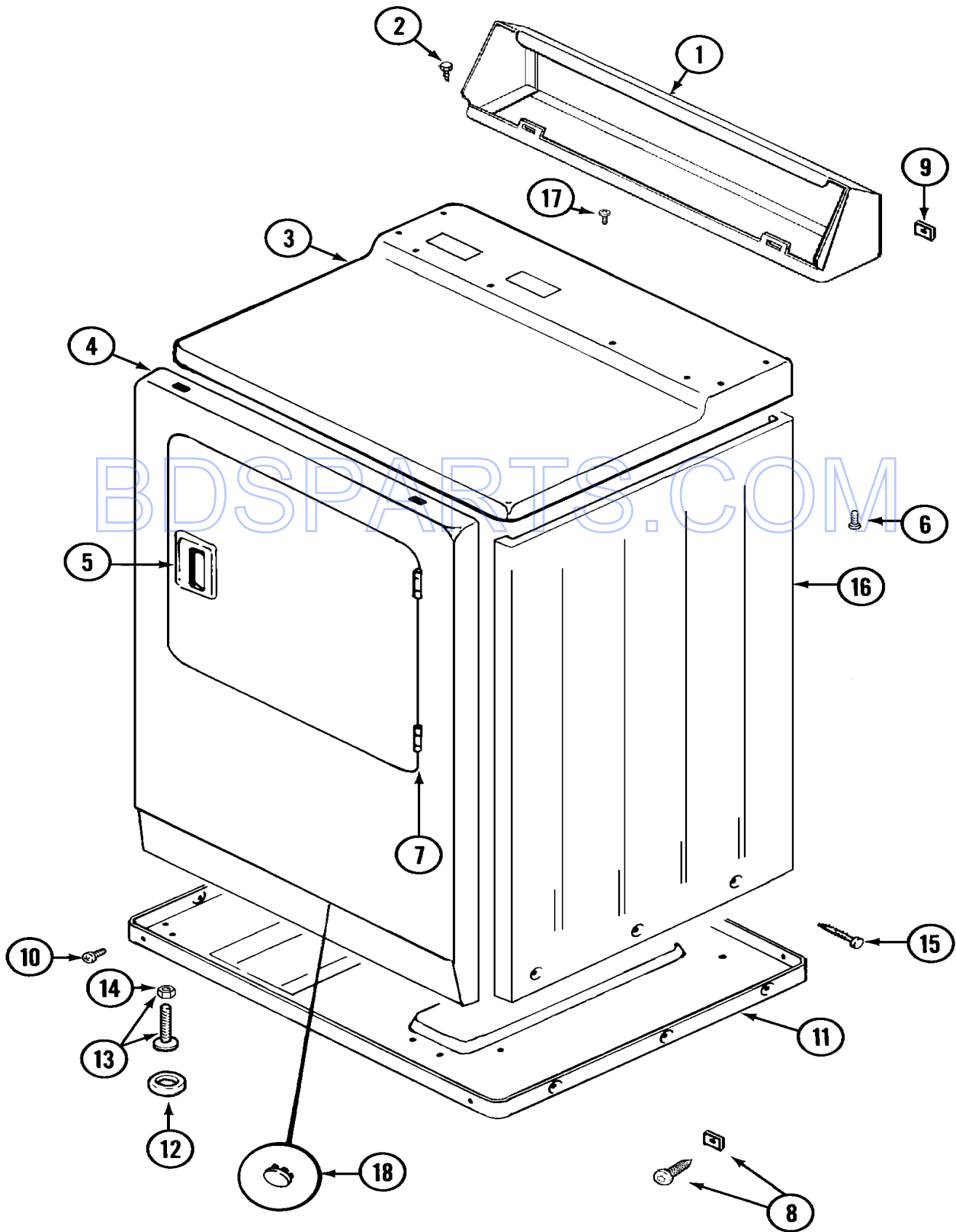
Section: CONTROL CENTER

No.	Part No.	Description	Series	Qty
1	207940	CASE, COIN METER (WHT) Note: CASE, COIN METER (WHT)	A0	1
2	207912	BOX, COIN (WHT)----SUB	A0	1
3	212328	NUT, HEX Note: NUT, LOCK	A0	1
4	N 203307	MTG. STRAP----NA Note: STRAP, MOUNTING	A0	1
5	211294	SCREW Note: SCREW, MOUNTING STRAP	A0	1
6	910309	WASHER Note: WASHER, STRAP SCREW	A0	1
7	214660	GASKET, METER CASE	A0	1
8	Y052740	NUT Note: NUT, CASE MOUNTING	A0	1
9	213035	BOLT, LOCKING	A0	2
10	910181	LOCK WASHER Note: LOCKWASHER, LOCKING BOLT	A0	2
11	216011	SPRING, BUTTON Note: SPRING, RETURN BUTTON	A0	1
12	212328	NUT, HEX Note: NUT, CAM LOCK	A0	1
13	213750	LOCKING CAM Note: CAM, LOCK	A0	1
14	22001354	WASHER, LOCK Note: LOCKWASHER, LOCK CAM	A0	1
15	22001355	NUT Note: NUT, LOCK CAM	A0	1
16	N 207914	LOCK CAM ASSY. NA Note: LOCK CAM ASSEMBLY	A0	1
17	208042	SWITCH, SENSOR (VAULT & DOOR) Note: SWITCH, SENSOR	A0	2
18	207948	COIN DROP ASSY. (25 CENTS) Note: COIN DROP ASSEMBLY	A0	1
19	207947	REJECTOR, COIN (25 CENTS) Note: DROP, COIN	A0	1
20	216200	BUTTON, RETURN Note: BUTTON, RETURN	A0	1
21	204216	DOOR, ACCESS (WHT)	A0	1
22	22001354	WASHER, LOCK Note: LOCKWASHER, LOCK CAM	A0	1
23	22001355	NUT Note: NUT, LOCK CAM	A0	1
24	206799	SWITCH, OPTIC ASSY. Note: OPTIC SWITCH ASSEMBLY	A0	1
25	314665	SCREW Note: SCREW, SWITCH ASSEMBLY	A0	1
26	216068	SCREW Note: SCREW, COIN DROP	A0	3
27	216010	PLATE, MOUNTING	A0	1
28	N 216034	BRACKET, SENSOR SWITCH	A0	1
29	N 911052	SCREW Note: SCREW, BRACKET	A0	1
30	208045	HARNESS, WIRE (SENSOR SW'S.) Note: WIRE HARNESS, SENSOR SWITCH	A0	1
31	912012	SCREW Note: SCREW, SENSOR SWITCH	A0	2

*Color Code (-)=Not Shown #=Series, Serial Prefix or Run No., N=Not Available

Section: CABINET (FRONT)

Model: MDE10PDACW



LD12-4

Section: CABINET (FRONT)

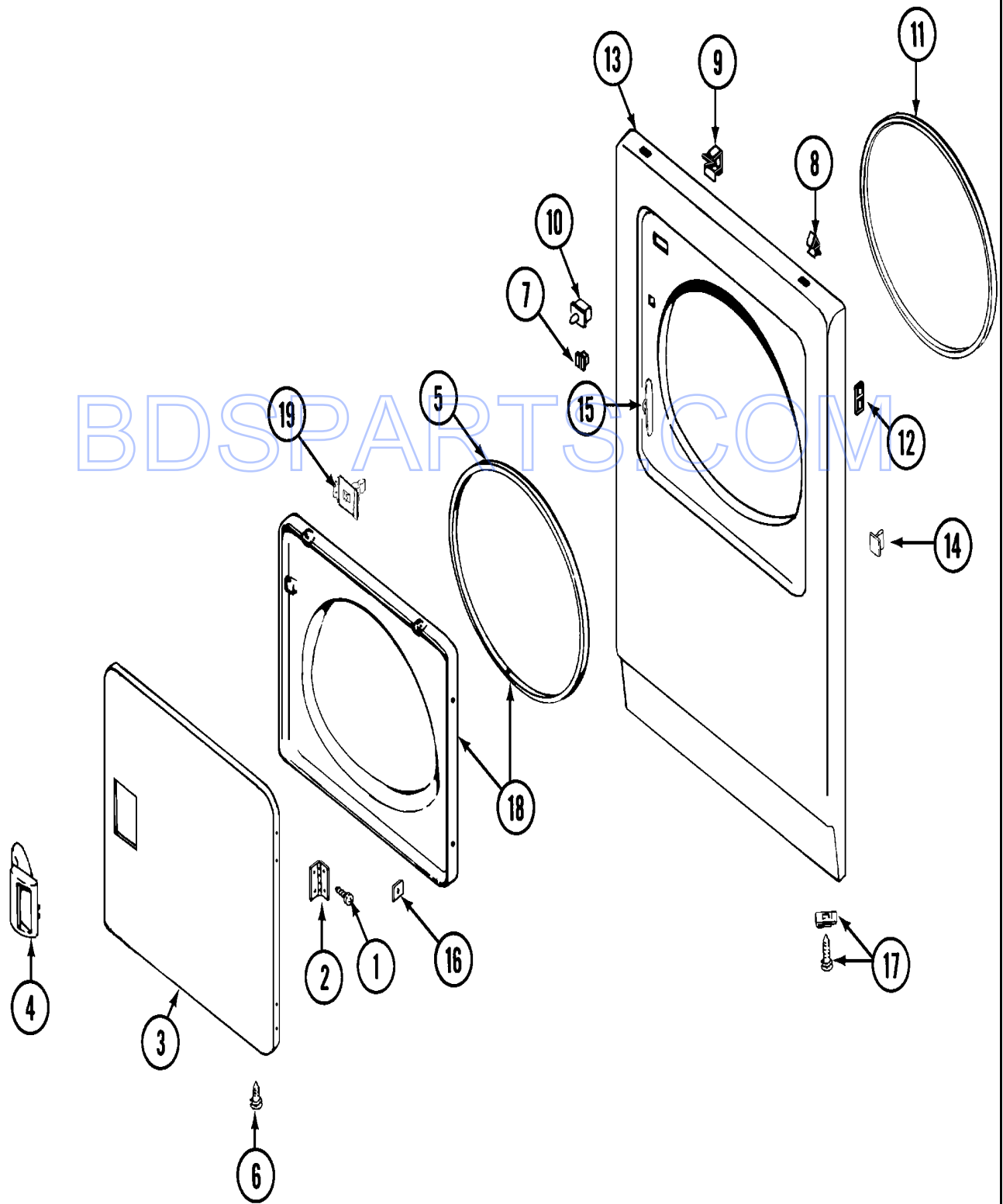
No.	Part No.	Description	Series	Qty
1	N 306689	CONTROL COVER (WHT) Note: COVER, CONTROL (WHT)	A0	1
2	212276	SCREW Note: SCREW, CONSOLE	A0	4
3	33001163	TOP (WHT) Note: COVER, TOP (WHT)	A0	1
4	33001242	PANEL, FRONT (WHT)	A0	1
5	33001241	HANDLE, DOOR (WHT)	A0	1
6	214354	SCREW Note: SCREW, TOP COVER	A0	2
7	33001230	HINGE, DOOR	A0	2
8	204439	SCREW & FSTNER ASSY(FRT.PANEL) Note: SCREW & FASTENER ASSEMBLY	A0	1
9	215075	FASTENER,CNTRL PNL TO CONSOLE Note: FASTENER, CONSOLE	A0	2
10	N 313561	SCREW----NA Note: SCREW, CABINET	A0	2
10	310632	SCREW Note: SCREW, CABINET	A0	3
11	Y303361	BASE ASSY. Note: BASE ASSEMBLY	A0	1
12	314137	FOOT, RUBBER	A0	4
13	305086	ADJUSTABLE LEG & NUT Note: LEG & NUT	A0	4
14	Y052740	NUT Note: NUT, LEG	A0	4
15	213007	SCREW, CABINET Note: SCREW, CABINET SIDES	A0	6
16	N 33001159	CABINET (WHT)	A0	1
17	210186	SCREW, GROUND WIRE TO BASE--NA Note: SCREW, GROUND CONSOLE	A0	1
18	33001132	PLUG, SIGHT HOLE (WHT)	A0	1

BDSPARTS.COM

*Color Code (-)=Not Shown #=Series, Serial Prefix or Run No., N=Not Available

Section: DOOR

Model: MDE10PDACW



BDS PARTS.COM

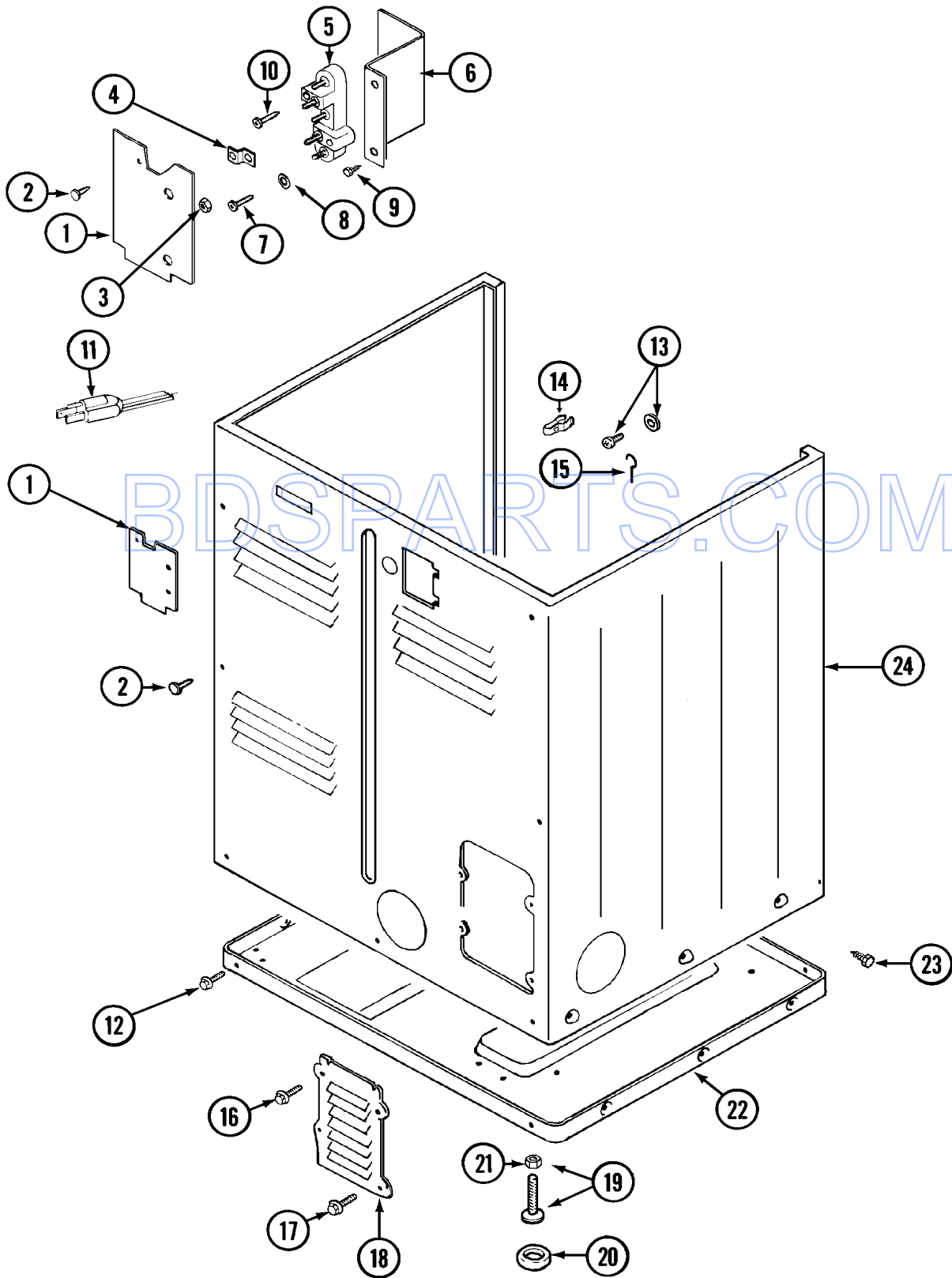
Section: DOOR

No.	Part No.	Description	Series	Qty
1	Y314062	SCREW Note: SCREW	A0	14
2	33001230	HINGE, DOOR	A0	2
3	33001257	DOOR (ALM) SUB Note: (ALM)	A0	1
3	33001240	DOOR (WHT)	A0	1
4	33001241	HANDLE, DOOR (WHT)	A0	1
4	33001254	HANDLE, DOOR (ALM) Note: (ALM)	A0	1
5	33001131	SEAL, DOOR	A0	1
6	33001132	PLUG, SIGHT HOLE (WHT) Note: PLUG, SIGHT HOLE (WHT)	A0	2
6	33001168	PLUG, SIGHT HOLE (ALM) Note: (ALM)	A0	2
7	Y304578	CATCH, DOOR (FEMALE)	A0	2
8	212982	FASTENER, PANEL Note: FASTENER, SPRING	A0	2
9	310376	CLIP, WIRE HARNESS Note: CLIP, CABLE	A0	2
10	33001509	SWITCH, DOOR	16	1
10	305753	SWITCH, DOOR	A0	1
11	314937	SEAL, FRONT PANEL	A0	1
-	N 33001172	SCREW, PLASTIC Note: FASTENER, FRONT PANEL	A0	4
12	N 33001173	NUT, SPEED Note: SPEEDNUT, HINGE SCREW	A0	4
13	33001258	PANEL, FRONT (ALM) Note: (ALM)	A0	1
13	33001242	PANEL, FRONT (WHT)	A0	1
14	N 33001174	PLUG, DOOR CATCH	A0	1
15	33001175	COVER, HINGE HOLE (WHT)	A0	2
15	33001176	COVER, HINGE HOLE (ALM) Note: (ALM)	A0	2
16	313910	CLIP, DOOR LINER TO OUTER PNL Note: FASTENER, INNER DOOR	A0	9
17	204439	SCREW & FSTNER ASSY(FRT.PANEL) Note: SCREW & FASTENER ASSEMBLY	A0	1
18	33001243	DOOR, INNER (W/SEAL)	A0	1
19	314936	DOOR STRIKE Note: STRIKE, DOOR	A0	1
-	314944	STRIKE PLATE Note: BRACKET, STRIKE	A0	1

*Color Code (-)=Not Shown #=Series, Serial Prefix or Run No., N=Not Available

Section: CABINET (REAR)

Model: MDE10PDACW



CD18-13

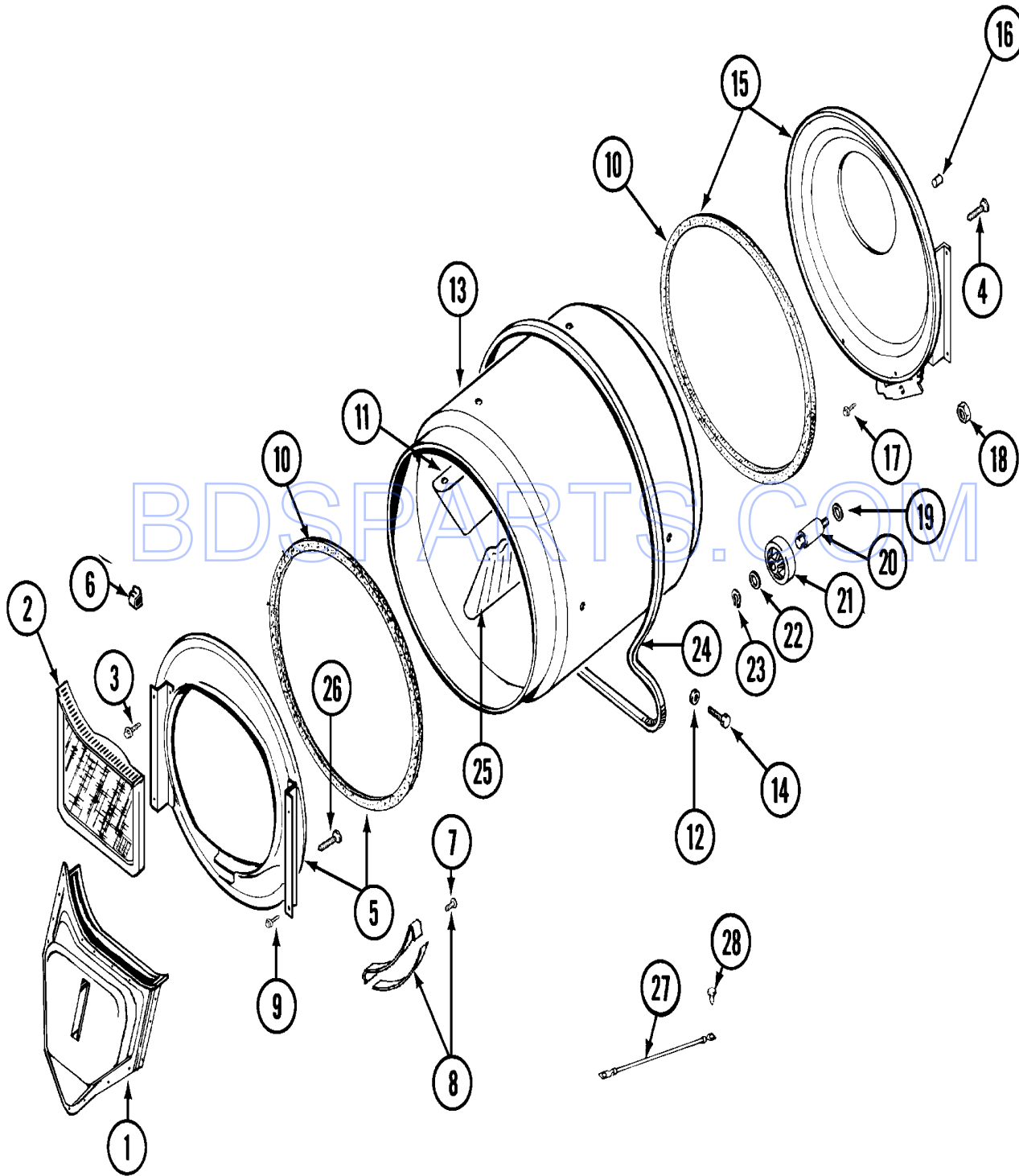
Section: CABINET (REAR)

No.	Part No.	Description	Series	Qty
1	Y312905	COVER, TERMINAL	A0	1
2	N 313561	SCREW----NA Note: SCREW, TERMINAL COVER	A0	1
3	311484	NUT, TERMINAL BLOCK	A0	6
4	Y312184	STRAP, GROUND	A0	1
5	400008	BLOCK, TERMINAL	A0	1
6	Y312904	BRACKET, TERMINAL BLOCK	A0	1
7	Y312209	SCREW, #10-24 X 3/4 INCH Note: SCREW, TERMINAL BRACKET	A0	2
8	Y311270	WASHER, TERMINAL BLOCK	A0	3
8	910181	LOCK WASHER Note: LOCKWASHER, TERMINAL BLOCK	A0	2
9	310632	SCREW Note: SCREW, TERMINAL BLOCK	A0	1
10	N 33001245	SCREW----NA Note: SCREW, GROUND STRAP	A0	1
12	310632	SCREW Note: SCREW, CABINET	A0	3
12	N 313561	SCREW----NA Note: SCREW, CABINET	A0	2
13	303846	SCREW & WASHER ASSY. Note: SCREW & WASHER ASSEMBLY	A0	1
14	301548	CLAMP, GROUND (W/SCREW) Note: GROUND CLAMP & SCREW	A0	1
15	204807	GRND.WIRE,SUPP.PLTE TO TOP CVR Note: GROUND WIRE	A0	1
16	313559	SCREW Note: SCREW, ACCESS COVER	A0	2
17	211294	SCREW Note: SCREW, ACCESS COVER	A0	3
18	Y312951	COVER, ACCESS	A0	1
19	305086	ADJUSTABLE LEG & NUT Note: LEG & NUT	A0	4
20	314137	FOOT, RUBBER	A0	4
21	Y052740	NUT Note: NUT, LEG	A0	4
22	Y303361	BASE ASSY. Note: BASE ASSEMBLY	A0	1
23	213007	SCREW, CABINET Note: SCREW, CABINET SIDES	A0	6
24	N 33001159	CABINET (WHT)	A0	1

*Color Code (-)=Not Shown #=Series, Serial Prefix or Run No., N=Not Available

Section: TUMBLER

Model: MDE10PDACW



LD13-4

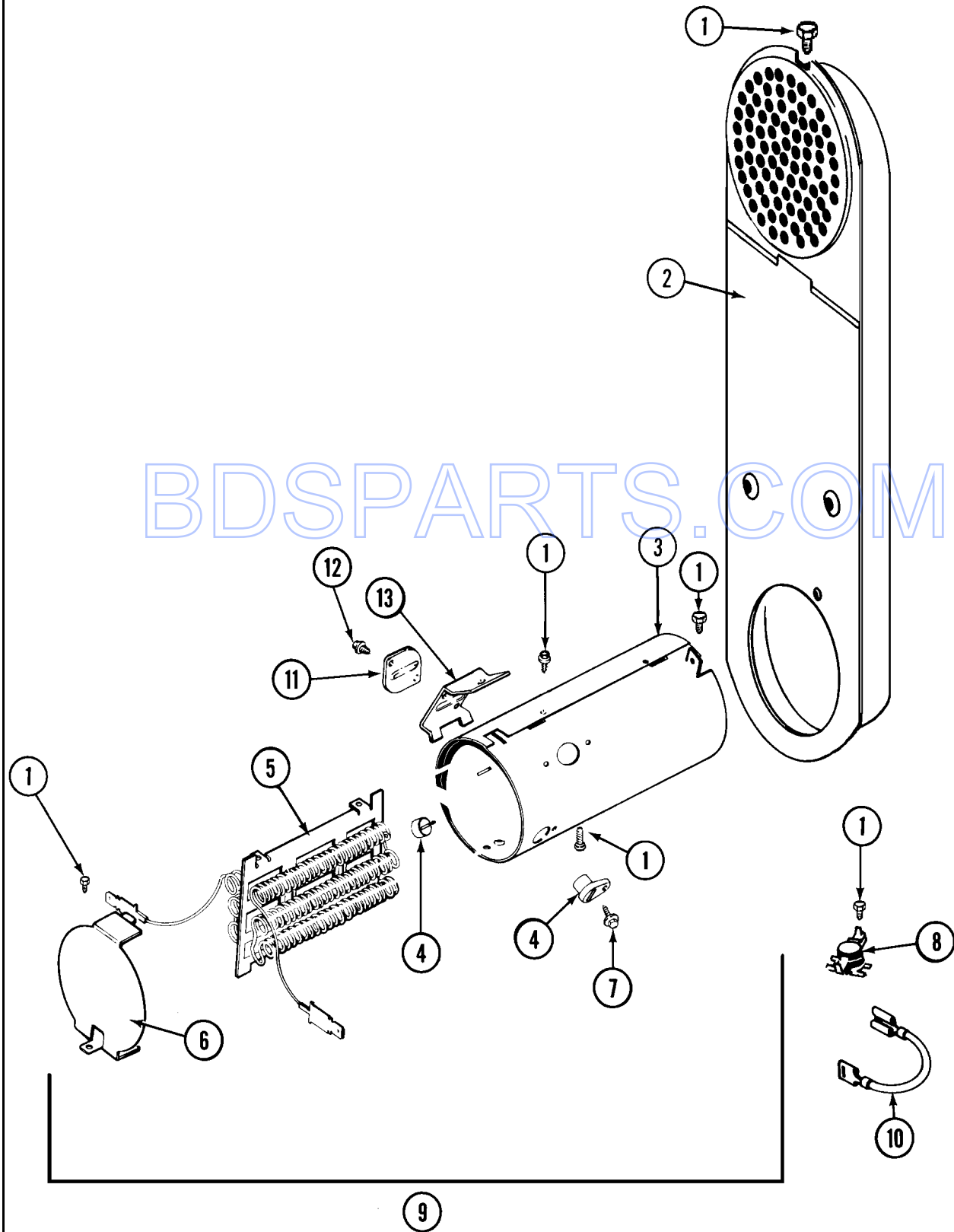
Section: TUMBLER

No.	Part No.	Description	Series	Qty
1	33001016	DUCT ASSY., OUTLET Note: OUTLET DUCT ASSEMBLY	A0	1
2	33001170	FILTER, LINT	A0	1
3	N 313764	SCREW Note: SCREW, TUMBLER SUPPORT	A0	4
4	N 313561	SCREW----NA Note: SCREW, TUMBLER FRONT & BACK	A0	2
5	33001179	FRONT, TUMBLER (W/SEAL)	A0	1
6	310376	CLIP, WIRE HARNESS Note: CLIP, CABLE	A0	1
7	210720	RIVET	A0	4
8	306508	TUMBLER BEARING KIT Note: TUMBLER BEARING KIT	A0	2
9	310632	SCREW Note: SCREW, TUMBLER FRONT	A0	3
10	314820	SEAL, TUMBLER	A0	2
11	33001012	BAFFLE (SHORT)	A0	1
12	314158	WASHER Note: WASHER, BAFFLE	A0	6
13	33001108	DRYER TUMBLER, W/O BAFFLES	A0	1
14	Y310759	SCREW Note: SCREW, TUMBLER BAFFLE	A0	6
15	33001178	BACK, TUMBLER (W/SEAL)	A0	1
16	N 313915	COVER, THREAD	A0	4
17	310632	SCREW Note: SCREW, TUMBLER BACK	A0	3
18	312538	NUT, ROLLER SHAFT	A0	2
19	Y313347	WASHER, SPRING (ROLLER SHAFT) Note: WASHER, SPRING	A0	2
20	312948	SHAFT, TUMBLER ROLLER	A0	2
21	Y303373	BEARING & ROLLER ASSEMBLY Note: ROLLER (W/BEARING)	A0	2
22	312535	WASHER, ROLLER SHAFT	A0	2
23	410233	RING, RETAINING Note: RING, RETAINING	A0	2
24	312959	BELT, TUMBLER & MOTOR Note: BELT, DRUM	A0	1
25	33001004	BAFFLE, TALL Note: BAFFLE (TALL)	A0	2
26	Y314110	SCREW, INLET DUCT Note: SCREW, OUTLET DUCT	A0	4
27	901220	WIRE, GROUND Note: GROUND WIRE	A0	1
28	910343	SCREW, GROUND WIRE	A0	1

*Color Code (-)=Not Shown #=Series, Serial Prefix or Run No., N=Not Available

Section: HEATER

Model: MDE10PDACW



CD15-2

Section: HEATER

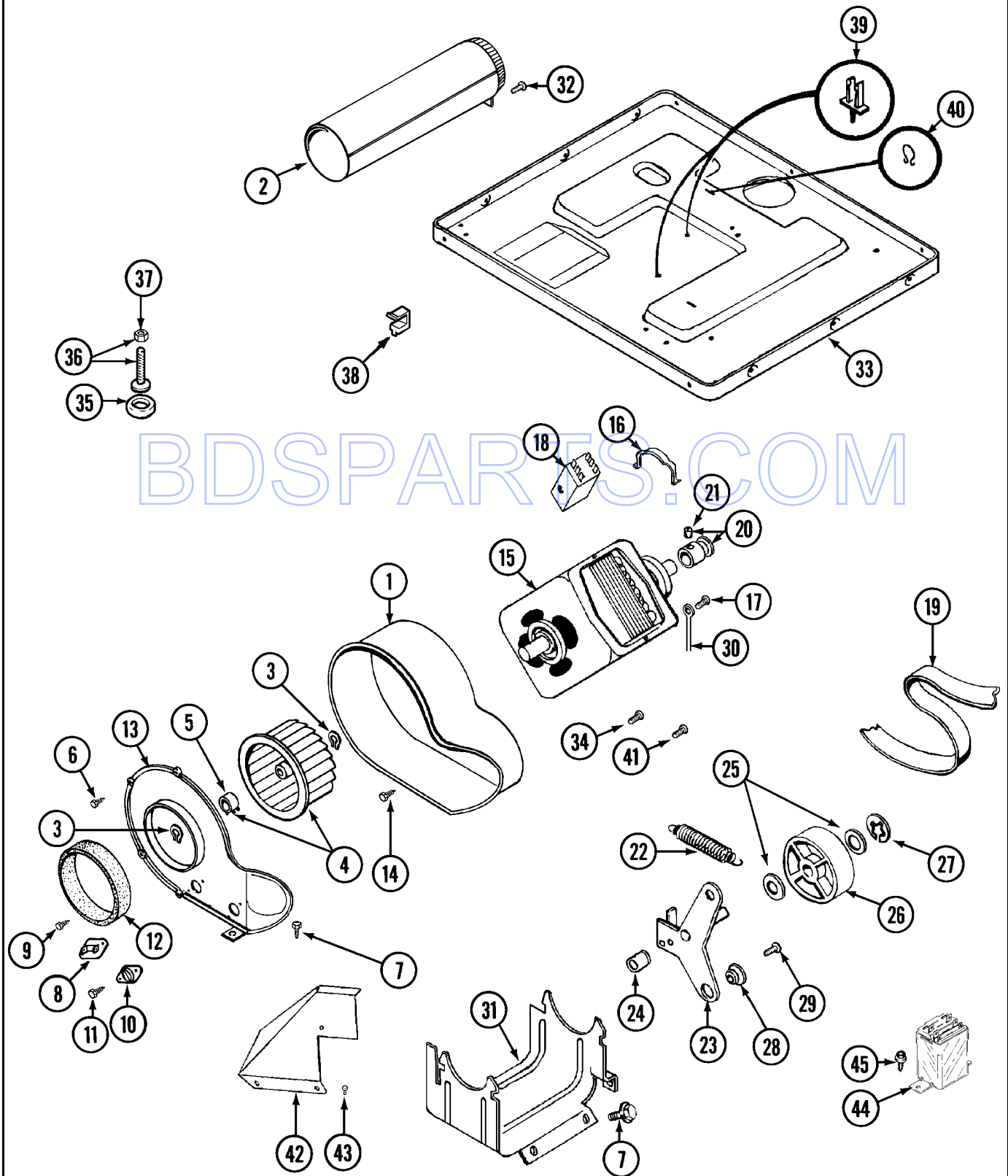
No.	Part No.	Description	Series	Qty
1	211294	SCREW Note: SCREW, HEATER	A0	12
2	308503	INLET DUCT ASSY. Note: DUCT, INLET	A0	1
3	314995	HEATER ENCLOSURE Note: ENCLOSURE, HEATER	A0	1
4	314998	INSULATOR, TERMINAL	A0	2
-	Y308613	HEATER SUB-ASSEMBLY (208V) Note: SUB-ASSEMBLY, HEATER (208V)	A0	1
5	308614	HEATER SUB-ASSEMBLY Note: SUB-ASSEMBLY, HEATER (240V W/1,3,5 & 7)	A0	1
6	314999	SHIELD, RADIANT	A0	1
7	N 314554	SCREW Note: SCREW, TERMINAL INSULATOR	A0	2
8	303396	THERMOSTAT, HI-LIMIT (ELEC)	A0	1
9	307179	HEATER ASSEMBLY(COMPLETE 240V) Note: HEATER ASSEMBLY (COMPLETE)	A1	1
9	Y308259	HEATER ASSY 240V Note: HEATER ASSEMBLY (COMPLETE)	A0	1
10	Y307173	WIRE, JUMPER	A0	1
11	307473	FUSE, THERMAL	A1	1
12	314848	SCREW	A1	2
13	315346	BRACKET, THERMAL FUSE	A1	1
-	Y308590	CONVERSION KIT (240V TO 208V) Note: CONVERSION KIT (240V TO 208V)	A0	1

BDSPARTS.COM

*Color Code (-)=Not Shown #=Series, Serial Prefix or Run No., N=Not Available

Section: MOTOR DRIVE

Model: MDE10PDACW



BDSPARES.COM

Section: MOTOR DRIVE

No.	Part No.	Description	Series	Qty
1	312893	HOUSING, BLOWER	A0	1
2	Y303442	EXHAUST DUCT ASSY. Note: EXHAUST DUCT ASSEMBLY	A0	1
3	410233	RING, RETAINING	A0	2
4	303836	BLOWER WHEEL ASSEMBLY & CLAMP Note: BLOWER WHEEL ASSEMBLY	A0	1
5	312967	CLAMP, BLOWER HOUSING Note: CLAMP, BLOWER WHEEL	A0	1
6	312961	SCREW Note: SCREW, HOUSING COVER	A0	6
7	N 313561	SCREW----NA Note: SCREW, HOUSING COVER	A0	3
8	306056	THERMISTOR TEMP CONTROL Note: THERMISTOR, TEMP. CONTROL	A0	1
8	Y303391	CYCLING THERMOSTAT 155 DEG. Note: THERMOSTAT, CYCLING	A0	1
9	211294	SCREW Note: SCREW, THERMOSTAT	A0	2
10	306604	CUT-OFF, THERMAL Note: CUT-OFF, THERMAL	A0	1
11	314848	SCREW Note: SCREW, THERMAL CUT-OFF	A0	2
12	312901	SEAL, BLOWER Note: SEAL, HOUSING COVER	A0	1
13	314778	COVER FOR BLOWER Note: COVER, BLOWER HOUSING	A0	1
14	310632	SCREW Note: SCREW, BLOWER HOUSING	A0	4
15	303358	MOTOR	A0	1
16	Y015825	CLIP, MOTOR	A0	2
17	910343	SCREW, GROUND WIRE	A0	1
18	303877	SWITCH, MOTOR Note: SWITCH, MOTOR EXTERNAL START (PROD. #303358-4 & 303358-7)	A0	1
18	N 306207	SWITCH, MOTOR START-PROD. Note: SWITCH, MOTOR EXTERNAL START (PROD. #303358-8 & 303358-9)	A0	1
18	Y303879	SWITCH, MOTOR STARTPROD. Note: SWITCH, MOTOR EXTERNAL START (PROD. #303358 & 303358-6)	A0	1
19	312959	BELT, TUMBLER & MOTOR	A0	1
20	Y305185	PULLEY, MOTOR (W/SET SCREW)	A0	1
21	Y053241	SET SCREW, PULLEY Note: SCREW, SET	A0	1
22	Y303945	IDLER SPRING ASSEMBLY Note: IDLER SPRING ASSEMBLY	A0	1
23	303363	IDLER ARM & SHAFT ASSY. Note: IDLER ARM & SHAFT ASSEMBLY	A0	1
24	Y313582	SPACER, IDLER BRACKET	A0	1
25	312527	WASHER, IDLER SHAFT (QTY-1)	A0	2
26	303705	PULLEY, IDLER Note: PULLEY, IDLER (W/BEARING)	A0	1
27	312958	RETAINING RING, IDLER SHAFT Note: RING, RETAINING	A0	1
28	N Y312894	SLEEVE, IDLER ARM	A0	1
29	Y014874	SCREW Note: SCREW, IDLER ARM & SLEEVE	A0	1
30	901220	WIRE, GROUND Note: GROUND WIRE	A0	1
31	N 312897	SUPPORT, MOTOR	A0	1
32	310632	SCREW Note: SCREW, EXHAUST DUCT	A0	1
33	Y305084	BASE Note: BASE ASSEMBLY	A0	1
34	211294	SCREW Note: SCREW, GROUND WIRE	A0	1
35	314137	FOOT, RUBBER Note: FOOT, RUBBER	A0	4
36	305086	ADJUSTABLE LEG & NUT Note: LEG & NUT	A0	4
37	Y052740	NUT Note: NUT, LEG	A0	4
38	310376	CLIP, WIRE HARNESS Note: CLIP, CABLE	A0	1
39	315471	RETAINER, WIRE Note: RETAINER, WIRE	A0	1
40	410490	SPRING, WIRE HARNESS	A0	2
41	312961	SCREW Note: SCREW, SPACE	A0	1
42	315122	COVER, THERMOSTAT	A0	1
43	310632	SCREW Note: SCREW, THERMOSTAT COVER	A0	2
44	306199	RELAY, HEATER	A0	1
45	251119	SCREW Note: SCREW, RELAY	A0	1

*Color Code (-)=Not Shown #=Series, Serial Prefix or Run No., N=Not Available

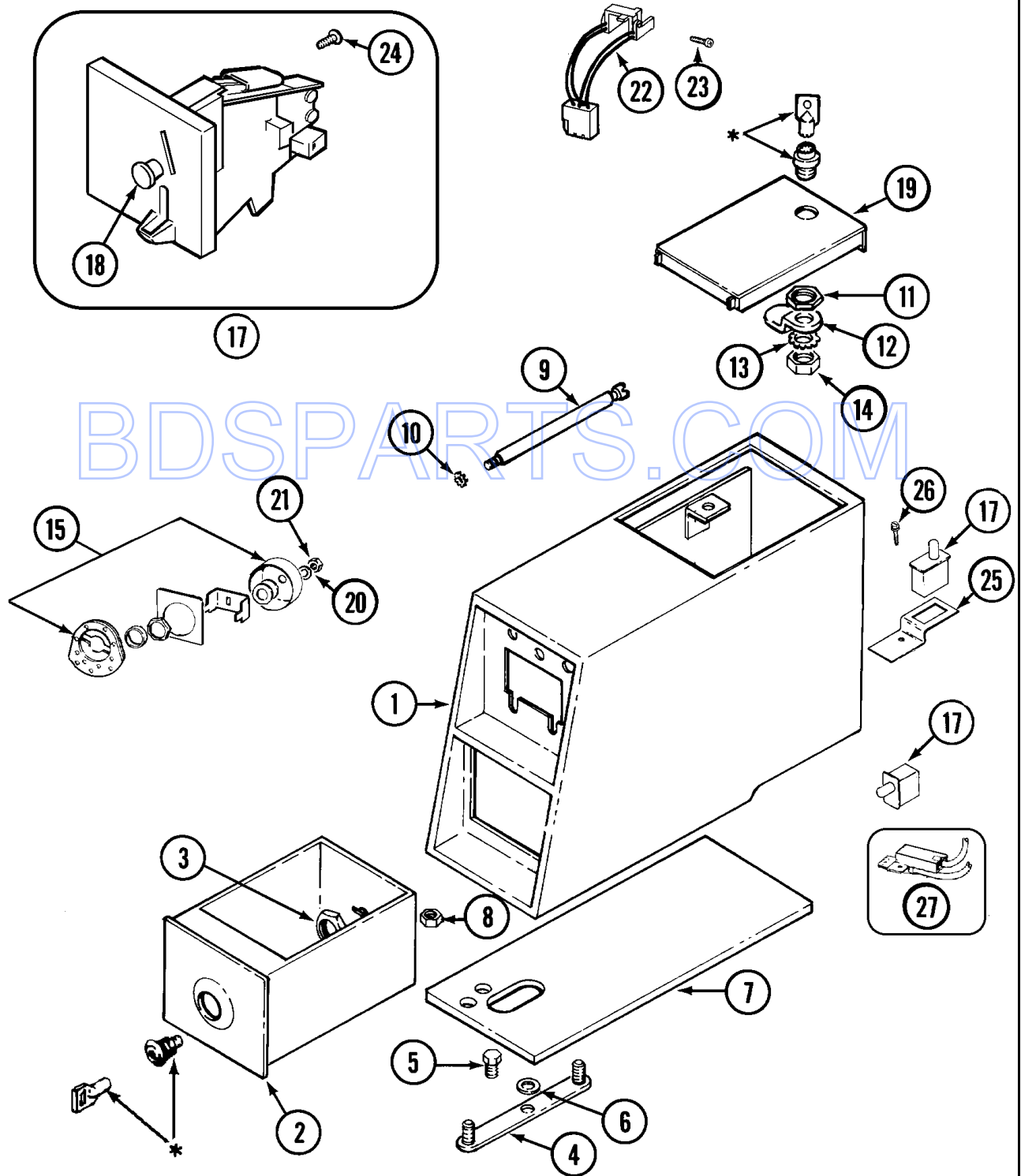
Section: CONTROL CNTR (SERIAL SUFFIX KB & AFT

No.	Part No.	Description	Series	Qty
1	22001407	CASE, COIN SLIDE (WHT) Note: CASE, COIN METER (WHT)	A0	1
2	207912	BOX, COIN (WHT)----SUB	A0	1
3	212328	NUT, HEX Note: NUT, LOCK	A0	1
4	N 203307	MTG. STRAP----NA Note: MOUNTING, STRAP	A0	1
5	211294	SCREW Note: SCREW, MOUNTING STRAP	A0	1
6	910309	WASHER Note: WASHER, STRAP SCREW	A0	1
7	214660	GASKET, METER CASE	A0	1
8	Y052740	NUT Note: NUT, CASE MOUNTING	A0	1
9	213035	BOLT, LOCKING	A0	2
10	910181	LOCK WASHER Note: LOCKWASHER, LOCKING BOLT	A0	2
11	216011	SPRING, BUTTON Note: SPRING, RETURN BUTTON	A0	1
12	212328	NUT, HEX Note: NUT, CAM LOCK	A0	1
13	213750	LOCKING CAM Note: CAM, LOCK	A0	1
14	22001354	WASHER, LOCK Note: LOCKWASHER, LOCK CAM	A0	1
15	22001355	NUT Note: NUT, LOCK CAM	A0	1
16	N 207914	LOCK CAM ASSY. NA Note: LOCK CAM ASSEMBLY	A0	1
17	33001250	SWITCH, SENSOR Note: SWITCH, SENSOR	A0	2
18	207948	COIN DROP ASSY. (25 CENTS) Note: COIN DROP ASSEMBLY	A0	1
19	207947	REJECTOR, COIN (25 CENTS) Note: DROP, COIN	A0	1
20	216200	BUTTON, RETURN Note: BUTTON, RETURN	A0	1
21	204216	DOOR, ACCESS (WHT)	A0	1
22	22001354	WASHER, LOCK Note: LOCKWASHER, LOCK CAM	A0	1
-	216203	LOCKWASHER Note: LOCKWASHER, DOUBLE "D"	A0	1
23	22001355	NUT Note: NUT, LOCK CAM	A0	1
24	206799	SWITCH, OPTIC ASSY. Note: OPTIC SWITCH ASSEMBLY	A0	1
25	314665	SCREW Note: SCREW, SWITCH ASSEMBLY	A0	1
26	216068	SCREW Note: SCREW, COIN DROP	A0	3
27	216010	PLATE, MOUNTING	A0	1
28	22001404	BRACKET, SWITCH	A0	1
29	212276	SCREW Note: SCREW, BRACKET	A0	1
30	208045	HARNESS, WIRE (SENSOR SW'S.) Note: HARNESS, WIRE (SENSOR SW)	A0	1

*Color Code (-)=Not Shown #=Series, Serial Prefix or Run No., N=Not Available

Section: CONTROL CNTR (SERIAL SUFFIX QB & AFTER)

Model: MDE10PDACW



* CONTACT YOUR COMMERCIAL LAUNDRY DISTRIBUTOR

Section: CONTROL CNTR (SERIAL SUFFIX QB & AFT

No.	Part No.	Description	Series	Qty
1	22001407	CASE, COIN SLIDE (WHT) Note: CASE, COIN METER (WHT)	11	1
2	207912	BOX, COIN (WHT)----SUB	11	1
3	212328	NUT, HEX Note: NUT, LOCK	11	1
4	N 203307	MTG. STRAP----NA Note: MOUNTING, STRAP	11	1
5	211294	SCREW Note: SCREW, MOUNTING STRAP	11	1
6	910309	WASHER Note: WASHER, STRAP SCREW	11	1
7	214660	GASKET, METER CASE	11	1
8	Y052740	NUT Note: NUT, CASE MOUNTING	11	1
9	213035	BOLT, LOCKING	11	2
10	910181	LOCK WASHER Note: LOCKWASHER, LOCKING BOLT	11	2
11	212328	NUT, HEX Note: NUT, CAM LOCK	11	1
12	213750	LOCKING CAM Note: CAM, LOCK	11	1
13	22001354	WASHER, LOCK Note: LOCKWASHER, LOCK CAM	11	1
14	22001355	NUT Note: NUT, LOCK CAM	11	1
15	N 207914	LOCK CAM ASSY. NA Note: LOCK CAM ASSEMBLY	11	1
16	33001250	SWITCH, SENSOR Note: SWITCH, SENSOR	11	2
-	912012	SCREW Note: SCREW, SENSOR SWITCH	11	2
-	22002143	FACEPLATE	11	1
17	207948	COIN DROP ASSY. (25 CENTS) Note: COIN DROP ASSEMBLY	11	1
18	216200	BUTTON, RETURN Note: BUTTON, RETURN	11	1
19	204216	DOOR, ACCESS (WHT)	11	1
20	22001354	WASHER, LOCK Note: LOCKWASHER, LOCK CAM	11	1
-	216203	LOCKWASHER Note: LOCKWASHER, DOUBLE "D"	11	1
21	22001355	NUT Note: NUT, LOCK CAM	11	1
22	206799	SWITCH, OPTIC ASSY. Note: OPTIC SWITCH ASSEMBLY	11	1
23	314665	SCREW Note: SCREW, SWITCH ASSEMBLY	11	1
24	216068	SCREW Note: SCREW, COIN DROP	11	3
25	22001404	BRACKET, SWITCH	11	1
26	212276	SCREW Note: SCREW, BRACKET	11	1
27	208045	HARNESS, WIRE (SENSOR SW'S.) Note: HARNESS, WIRE (SENSOR SW)	11	1

*Color Code (-)=Not Shown #=Series, Serial Prefix or Run No., N=Not Available

