

DRYER

Repair Parts List

MODEL NUMBER

MDE10PRACW

DDSPARTS.COM

When requesting service or ordering parts, always provide the following information:

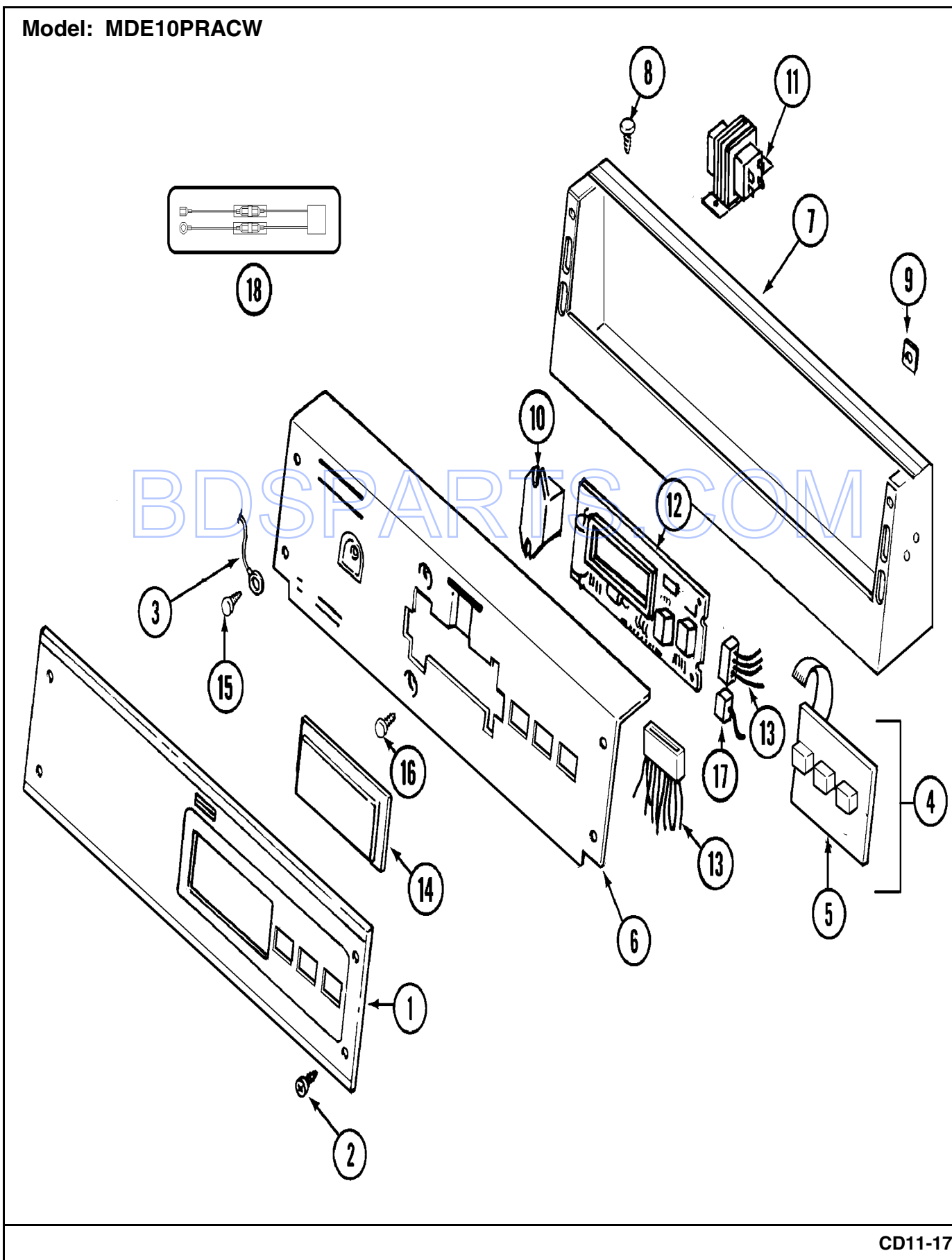
- Product Type
- Part Number
- Model Number
- Part Description

MAYTAG®

©2005 Maytag Services

Section: CONTROL PANEL

Model: MDE10PRACW



CD11-17

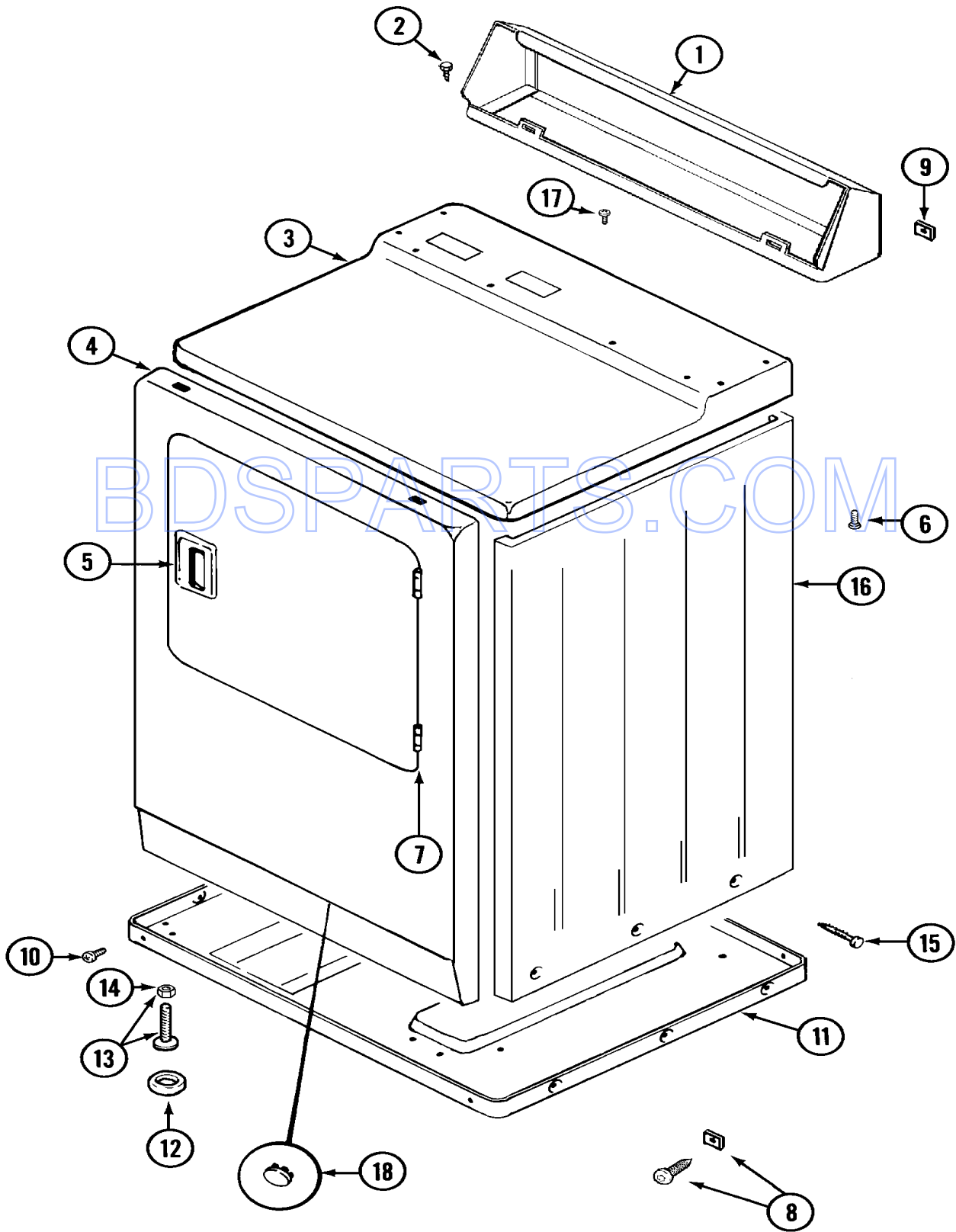
Section: CONTROL PANEL

| No. | Part No. | Description | Series | Qty |
|-----|------------|--|--------|-----|
| 1 | 33001020 | PANEL, CONTROL (DE & DA) Note: PANEL, CONTROL | 10 | 1 |
| 2 | 215506 | SCREW, TORX Note: SCREW, CONTROL PANEL | 10 | 4 |
| 3 | 205810 | WIRE, GROUND Note: WIRE, GROUND | 10 | 1 |
| 4 | 306694 | BACKUP PLATE WITH SWITCH Note: CONTROL SWITCH ASSEMBLY | 10 | 1 |
| - | 215527 | SCREW Note: SCREW, SWITCH | 10 | 2 |
| 5 | 215517 | PUSHBUTTON Note: PUSH BUTTON, CONTROL SWITCH | 10 | 1 |
| 6 | N 314811 | BACK BRACKET, CONTROL PANEL Note: PLATE, BACK-UP (WHT) | 10 | 1 |
| 7 | N 306689 | CONTROL COVER (WHT) Note: CONSOLE (WHT) | 10 | 1 |
| - | 215506 | SCREW, TORX Note: SCREW, CONSOLE | 10 | 2 |
| 8 | 212276 | SCREW Note: SCREW, CONSOLE | 10 | 3 |
| 9 | 215003 | FASTENER Note: CLIP, SCREW | 10 | 2 |
| - | 212949 | SCREW Note: SCREW, RELAY | 10 | 1 |
| 10 | 206824 | RELAY, SPST 24VDC Note: RELAY, MOTOR | 10 | 1 |
| - | 211294 | SCREW Note: SCREW, TRANSFORMER | 10 | 1 |
| 11 | 207766 | TRANSFORMER | 10 | 1 |
| - | 215513 | SPACER CIRCUIT BOARD Note: SPACER, CIRCUIT BOARD | 10 | 4 |
| - | 912077 | LOCKNUT Note: LOCKNUT, CONTROL BOARD | 10 | 6 |
| 12 | N 33001129 | BOARD-NLA-MUST REFURBISH Note: BOARD, CONTROL | 10 | 1 |
| 13 | N 33001575 | WIRE HARNESS, MAIN | 10 | 1 |
| - | N 312953 | RECEPTACLE Note: TERMINAL, EDGEBOARD | 10 | 17 |
| - | 314531 | EDGEBOARD CONNECTOR Note: CONNECTOR, EDGEBOARD | 10 | 2 |
| 14 | 33001208 | COVER, DISPLAY | 10 | 1 |
| 15 | 211252 | SCREW Note: SCREW, GROUND WIRE | 10 | 1 |
| 16 | 215526 | SCREW Note: SCREW, CONTROL BOARD | 10 | 2 |
| 17 | N 22001649 | HARNESS, WIRE (SENSOR SWITCH) | 10 | 1 |
| 18 | 12001279 | KIT, SURGE SUPPRESSOR Note: SURGE SUPPRESSOR KIT | 10 | 1 |

*Color Code (-)=Not Shown #=Series, Serial Prefix or Run No., N=Not Available

Section: CABINET (FRONT)

Model: MDE10PRACW



LD12-4

Section: CABINET (FRONT)

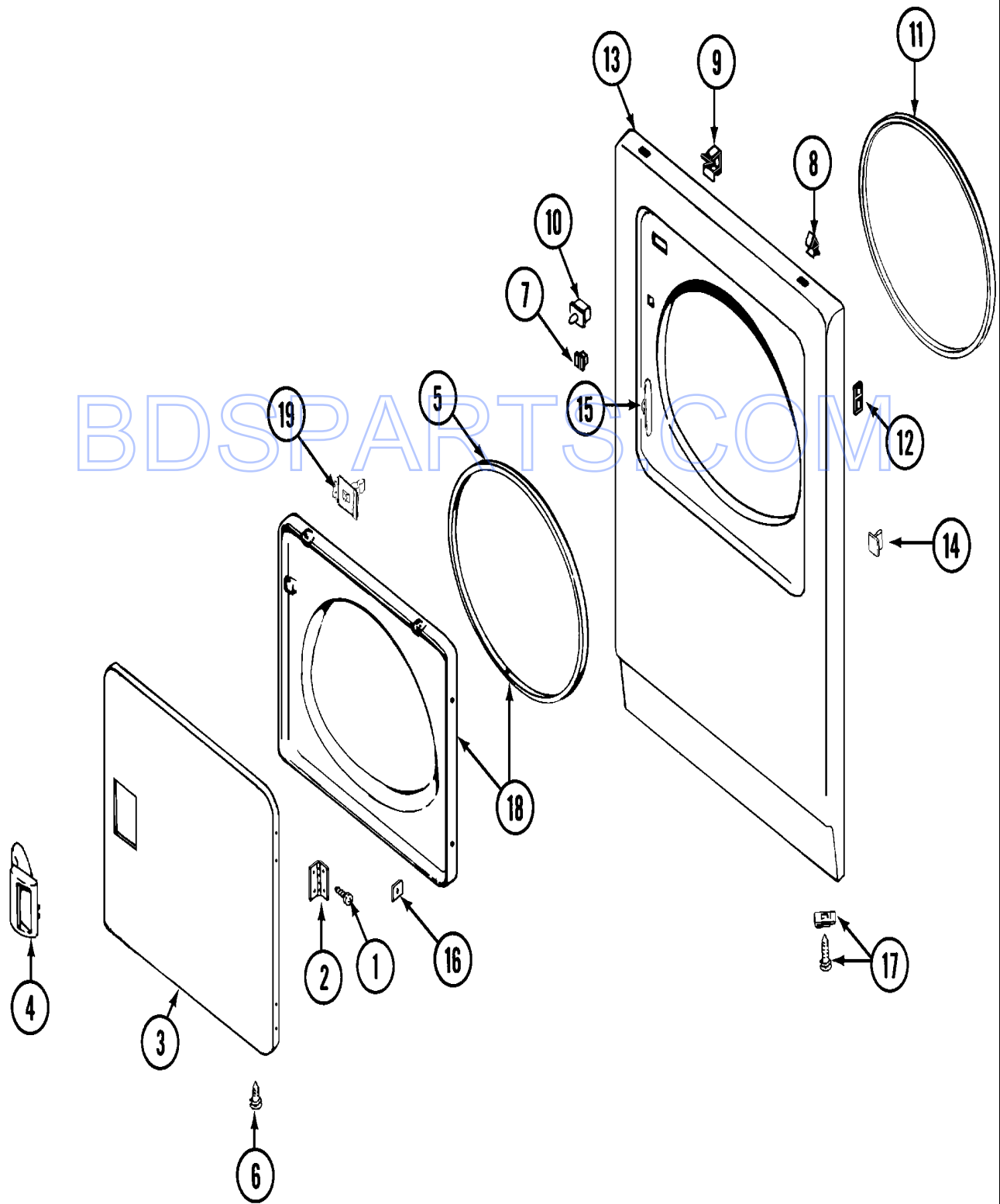
| No. | Part No. | Description | Series | Qty |
|-----|------------|--|--------|-----|
| 1 | N 306689 | CONTROL COVER (WHT) Note: COVER, CONTROL (WHT) | 10 | 1 |
| 2 | 212276 | SCREW Note: SCREW, CONSOLE | 10 | 4 |
| 3 | 33001163 | TOP (WHT) Note: COVER, TOP (WHT) | 10 | 1 |
| - | 33001486 | PANEL, FASTENER | 10 | 4 |
| 4 | 33001242 | PANEL, FRONT (WHT) | 10 | 1 |
| 5 | 33001241 | HANDLE, DOOR (WHT) | 10 | 1 |
| 6 | 214354 | SCREW Note: SCREW, TOP COVER | 10 | 2 |
| 7 | 33001230 | HINGE, DOOR | 10 | 2 |
| 8 | 204439 | SCREW & FSTNER ASSY(FRT.PANEL) Note: SCREW & FASTENER ASSEMBLY | 10 | 1 |
| 9 | 215003 | FASTENER Note: FASTENER, CONSOLE | 10 | 2 |
| 10 | N 313561 | SCREW----NA Note: SCREW, CABINET | 10 | 2 |
| 10 | 310632 | SCREW Note: SCREW, CABINET | 10 | 3 |
| 11 | 303361 | BASE ASSY. Note: BASE ASSEMBLY | 10 | 1 |
| 12 | 314137 | FOOT, RUBBER | 10 | 4 |
| 13 | 305086 | ADJUSTABLE LEG & NUT Note: LEG & NUT | 10 | 4 |
| 14 | 052740 | NUT Note: NUT, LEG | 10 | 4 |
| 15 | 213007 | SCREW, CABINET Note: SCREW, CABINET SIDES | 10 | 6 |
| 16 | N 33001159 | CABINET (WHT) | 10 | 1 |
| 17 | 210186 | SCREW, GROUND WIRE TO BASE--NA Note: SCREW, GROUND CONSOLE | 10 | 1 |
| 18 | 33001132 | PLUG, SIGHT HOLE (WHT) | 10 | 1 |

BDSPARTS.COM

*Color Code (-)=Not Shown #=Series, Serial Prefix or Run No., N=Not Available

Section: DOOR

Model: MDE10PRACW



LD17-4

Section: DOOR

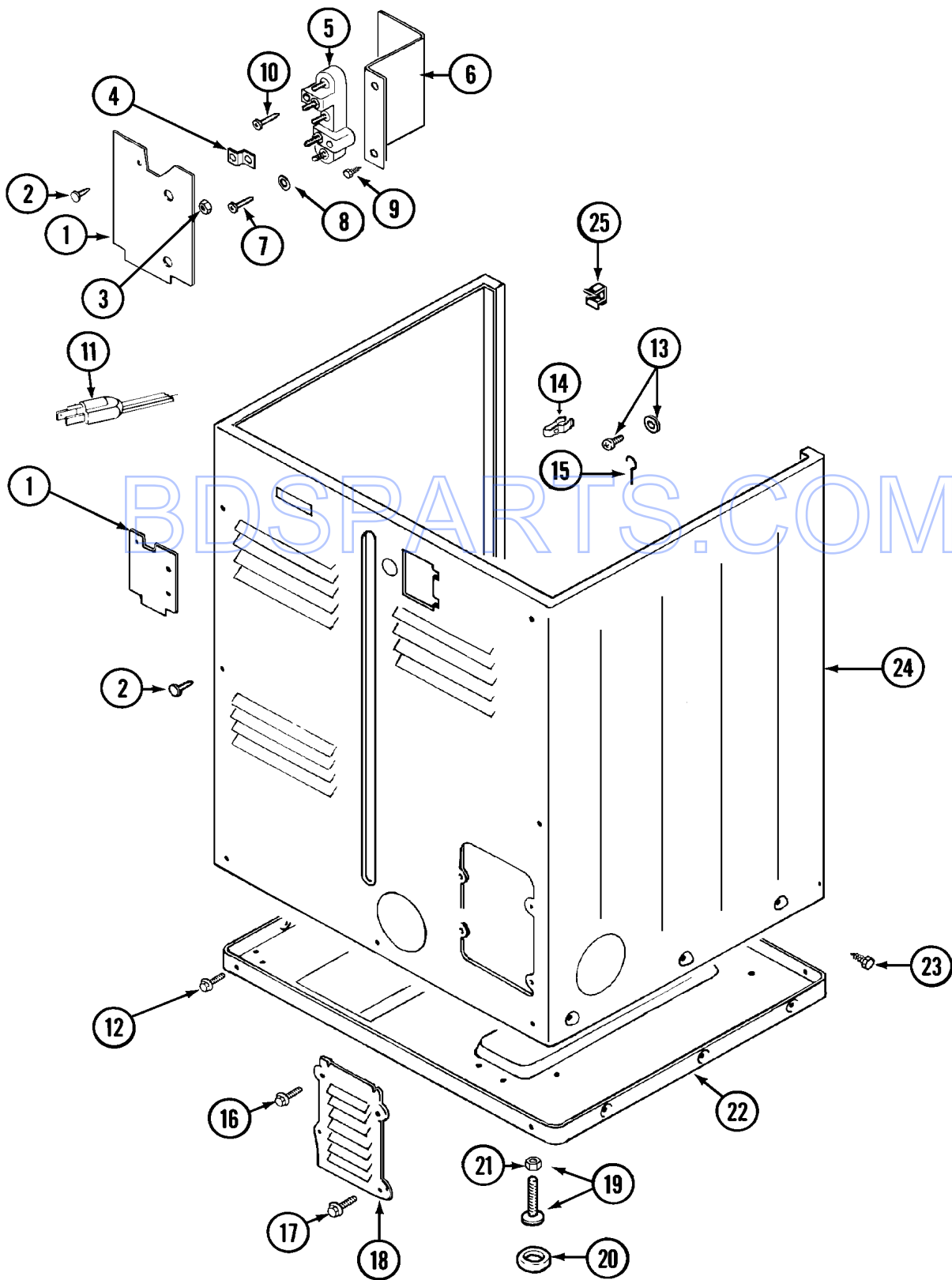
| No. | Part No. | Description | Series | Qty |
|-----|------------|--|--------|-----|
| 1 | 314062 | SCREW Note: SCREW | 10 | 14 |
| 2 | 33001230 | HINGE, DOOR | 10 | 2 |
| 3 | 33001240 | DOOR (WHT) | 10 | 1 |
| 4 | 33001241 | HANDLE, DOOR (WHT) | 10 | 1 |
| 5 | 33001131 | SEAL, DOOR | 10 | 1 |
| 6 | 33001132 | PLUG, SIGHT HOLE (WHT) Note: PLUG, SIGHT HOLE (WHT) | 10 | 2 |
| 7 | 304578 | CATCH, DOOR (FEMALE) | 10 | 2 |
| 8 | 212982 | FASTENER, PANEL Note: FASTENER, SPRING | 10 | 2 |
| 9 | 310376 | CLIP, WIRE HARNESS Note: CLIP, CABLE | 10 | 2 |
| 10 | 33001509 | SWITCH, DOOR | 10 | 1 |
| 11 | 314937 | SEAL, FRONT PANEL | 10 | 1 |
| 12 | N 33001487 | NUT, SPEED Note: SPEEDNUT, HINGE SCREW | 10 | 4 |
| 13 | 33001242 | PANEL, FRONT (WHT) | 10 | 1 |
| - | 33001486 | PANEL, FASTENER Note: FASTENER, FRONT PANEL | 10 | 4 |
| 14 | N 33001174 | PLUG, DOOR CATCH | 10 | 1 |
| 15 | 33001175 | COVER, HINGE HOLE (WHT) | 10 | 2 |
| 16 | 313910 | CLIP, DOOR LINER TO OUTER PNL Note: FASTENER, INNER DOOR | 10 | 9 |
| 17 | 204439 | SCREW & FSTNER ASSY(FRT.PANEL) Note: SCREW & FASTENER ASSEMBLY | 10 | 1 |
| 18 | 33001243 | DOOR, INNER (W/SEAL) | 10 | 1 |
| 19 | 314936 | DOOR STRIKE Note: STRIKE, DOOR | 10 | 1 |
| - | 314944 | STRIKE PLATE Note: BRACKET, STRIKE | 10 | 1 |

BDS PARTS.COM

*Color Code (-)=Not Shown #=Series, Serial Prefix or Run No., N=Not Available

Section: CABINET (REAR)

Model: MDE10PRACW



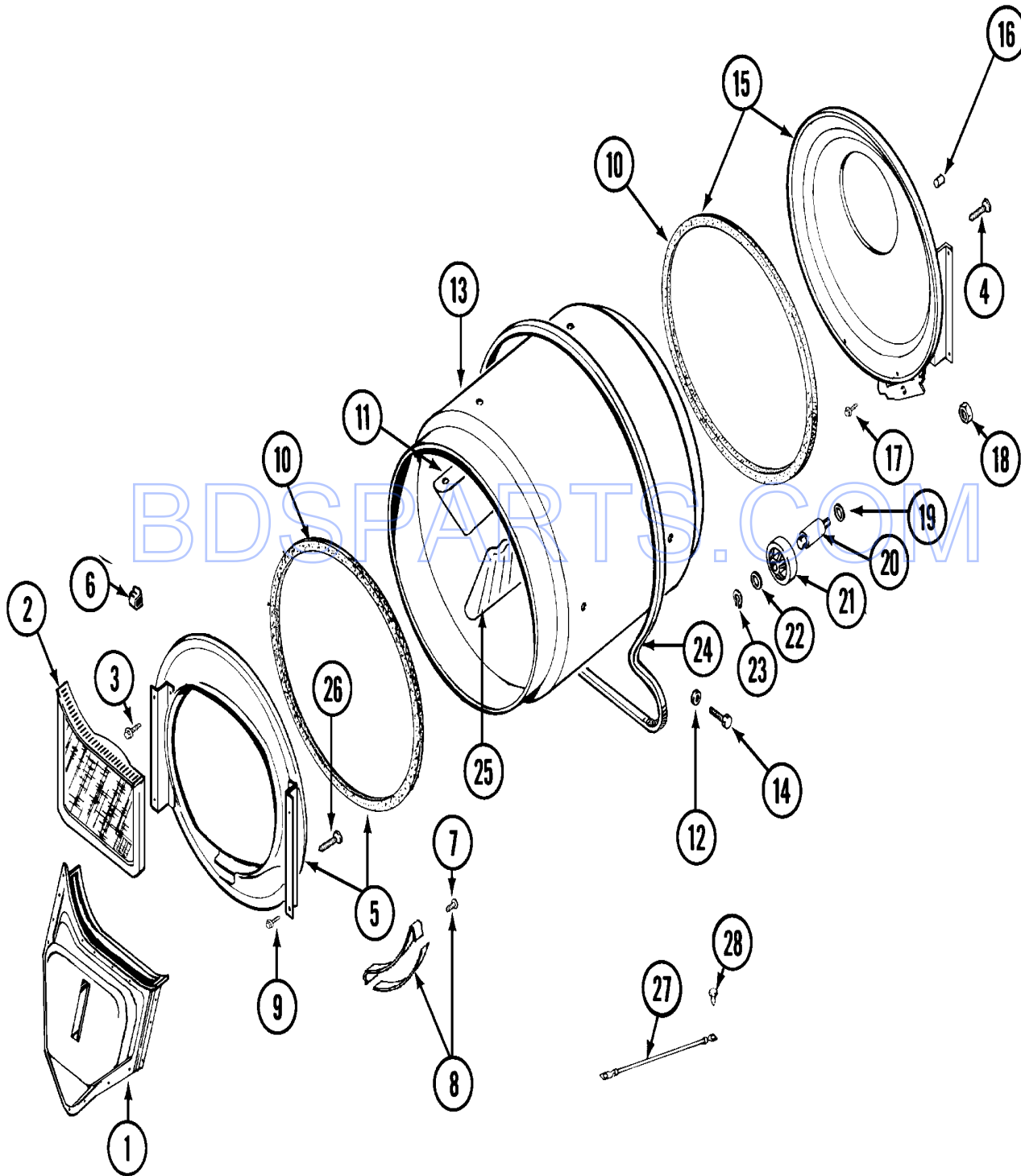
Section: CABINET (REAR)

| No. | Part No. | Description | Series | Qty |
|-----|------------|--|--------|-----|
| 1 | 312905 | COVER, TERMINAL | 10 | 1 |
| 2 | N 313561 | SCREW----NA Note: SCREW, TERMINAL COVER | 10 | 1 |
| 3 | 311484 | NUT, TERMINAL BLOCK | 10 | 3 |
| 4 | 312184 | STRAP, GROUND | 10 | 1 |
| 5 | 33001244 | BLOCK, TERMINAL | 10 | 1 |
| 6 | 312904 | BRACKET, TERMINAL BLOCK | 10 | 1 |
| 7 | 312209 | SCREW, #10-24 X 3/4 INCH Note: SCREW, TERMINAL BRACKET | 10 | 2 |
| 8 | 311270 | WASHER, TERMINAL BLOCK | 10 | 3 |
| - | 910181 | LOCK WASHER Note: LOCKWASHER, TERMINAL BLOCK | 10 | 2 |
| 9 | 310632 | SCREW Note: SCREW, TERMINAL BLOCK | 10 | 1 |
| 10 | N 33001245 | SCREW----NA Note: SCREW, GROUND STRAP | 10 | 1 |
| 12 | 310632 | SCREW Note: SCREW, CABINET | 10 | 3 |
| 12 | N 313561 | SCREW----NA Note: SCREW, CABINET | 10 | 1 |
| 13 | 303846 | SCREW & WASHER ASSY. Note: SCREW & WASHER ASSEMBLY | 10 | 1 |
| 14 | 301548 | CLAMP, GROUND (W/SCREW) Note: GROUND CLAMP & SCREW | 10 | 1 |
| 15 | 204807 | GRND.WIRE,SUPP.PLTE TO TOP CVR Note: GROUND WIRE | 10 | 1 |
| 16 | 313559 | SCREW Note: SCREW, ACCESS COVER | 10 | 2 |
| 17 | 211294 | SCREW Note: SCREW, ACCESS COVER | 10 | 3 |
| 18 | 312951 | COVER, ACCESS | 10 | 1 |
| 19 | 305086 | ADJUSTABLE LEG & NUT Note: LEG & NUT | 10 | 4 |
| 20 | 314137 | FOOT, RUBBER | 10 | 4 |
| 21 | 052740 | NUT Note: NUT, LEG | 10 | 4 |
| 22 | 303361 | BASE ASSY. Note: BASE ASSEMBLY | 10 | 1 |
| 23 | 213007 | SCREW, CABINET Note: SCREW, CABINET SIDES | 10 | 6 |
| 24 | N 33001159 | CABINET (WHT) | 10 | 1 |
| 25 | 310376 | CLIP, WIRE HARNESS | 10 | 1 |

*Color Code (-)=Not Shown #=Series, Serial Prefix or Run No., N=Not Available

Section: TUMBLER

Model: MDE10PRACW



LD13-4

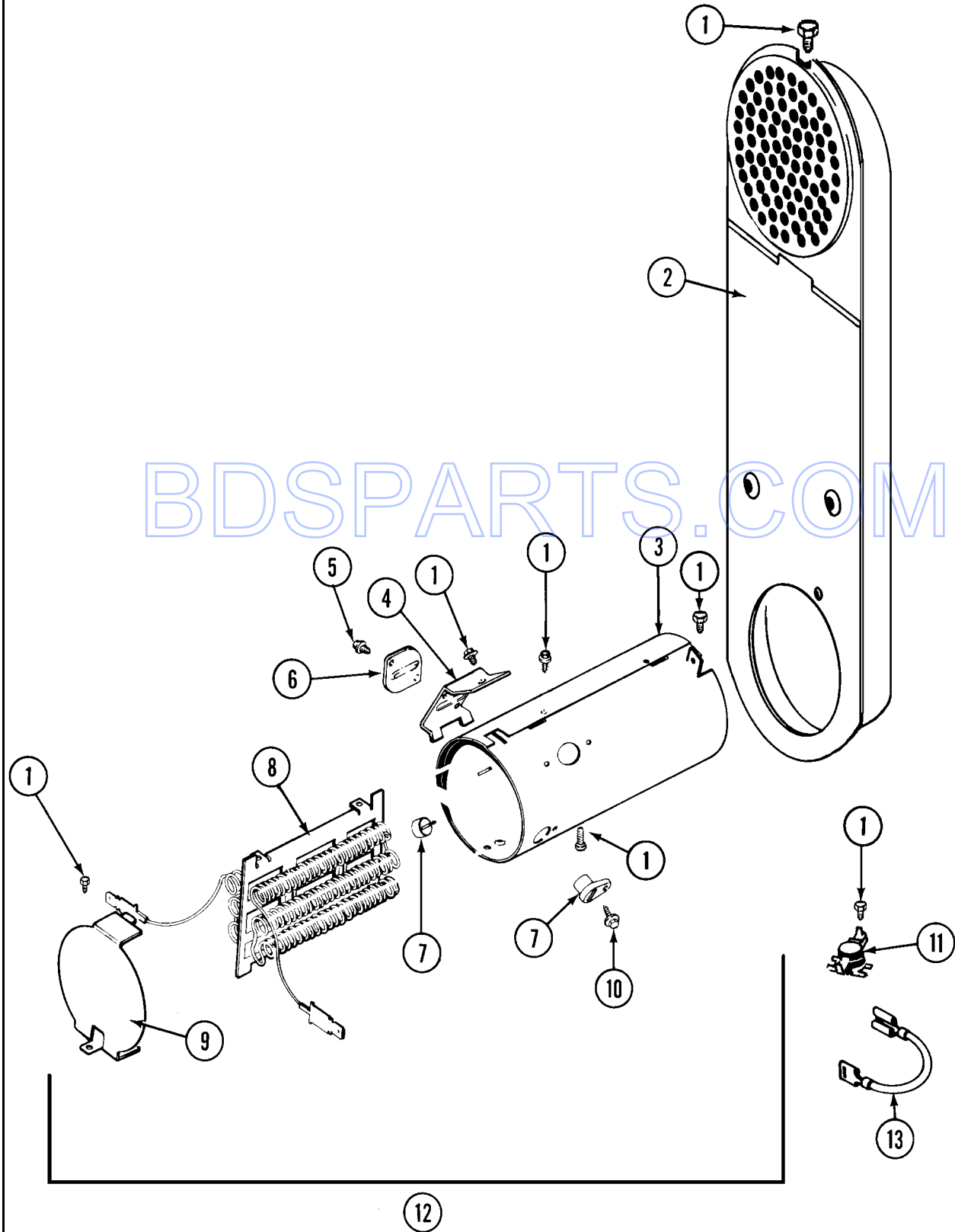
Section: TUMBLER

| No. | Part No. | Description | Series | Qty |
|-----|----------|--|--------|-----|
| 1 | 33001016 | DUCT ASSY., OUTLET Note: OUTLET DUCT ASSEMBLY | 10 | 1 |
| 2 | 33001170 | FILTER, LINT | 10 | 1 |
| 3 | N 313764 | SCREW Note: SCREW, TUMBLER SUPPORT | 10 | 4 |
| 4 | N 313561 | SCREW----NA Note: SCREW, TUMBLER FRONT & BACK | 10 | 2 |
| 5 | 33001179 | FRONT, TUMBLER (W/SEAL) | 10 | 1 |
| 6 | 310376 | CLIP, WIRE HARNESS Note: CLIP, CABLE | 10 | 1 |
| 7 | 210720 | RIVET | 10 | 4 |
| 8 | 306508 | TUMBLER BEARING KIT Note: TUMBLER BEARING KIT | 10 | 2 |
| 9 | 310632 | SCREW Note: SCREW, TUMBLER FRONT | 10 | 3 |
| 10 | 314820 | SEAL, TUMBLER | 10 | 2 |
| 11 | 33001012 | BAFFLE (SHORT) | 10 | 1 |
| 12 | 314158 | WASHER Note: WASHER, BAFFLE | 10 | 6 |
| 13 | 33001108 | DRYER TUMBLER, W/O BAFFLES | 10 | 1 |
| 14 | 310759 | SCREW Note: SCREW, TUMBLER BAFFLE | 10 | 6 |
| 15 | 33001178 | BACK, TUMBLER (W/SEAL) | 10 | 1 |
| 16 | N 313915 | COVER, THREAD | 10 | 4 |
| 17 | 310632 | SCREW Note: SCREW, TUMBLER BACK | 10 | 3 |
| 18 | 312538 | NUT, ROLLER SHAFT | 10 | 2 |
| 19 | 313347 | WASHER, SPRING (ROLLER SHAFT) Note: WASHER, SPRING | 10 | 2 |
| 20 | 312948 | SHAFT, TUMBLER ROLLER | 10 | 2 |
| 21 | 303373 | BEARING & ROLLER ASSEMBLY Note: ROLLER (W/BEARING) | 10 | 2 |
| 22 | 312535 | WASHER, ROLLER SHAFT | 10 | 2 |
| 23 | 410233 | RING, RETAINING Note: RING, RETAINING | 10 | 2 |
| 24 | 312959 | BELT, TUMBLER & MOTOR Note: BELT, DRUM | 10 | 1 |
| 25 | 33001004 | BAFFLE, TALL Note: BAFFLE (TALL) | 10 | 2 |
| 26 | 314110 | SCREW, INLET DUCT Note: SCREW, OUTLET DUCT | 10 | 4 |
| 27 | 901220 | WIRE, GROUND Note: GROUND WIRE | 10 | 1 |
| 28 | 910343 | SCREW, GROUND WIRE | 10 | 1 |

*Color Code (-)=Not Shown #=Series, Serial Prefix or Run No., N=Not Available

Section: HEATER

Model: MDE10PRACW



LD15-3

Section: HEATER

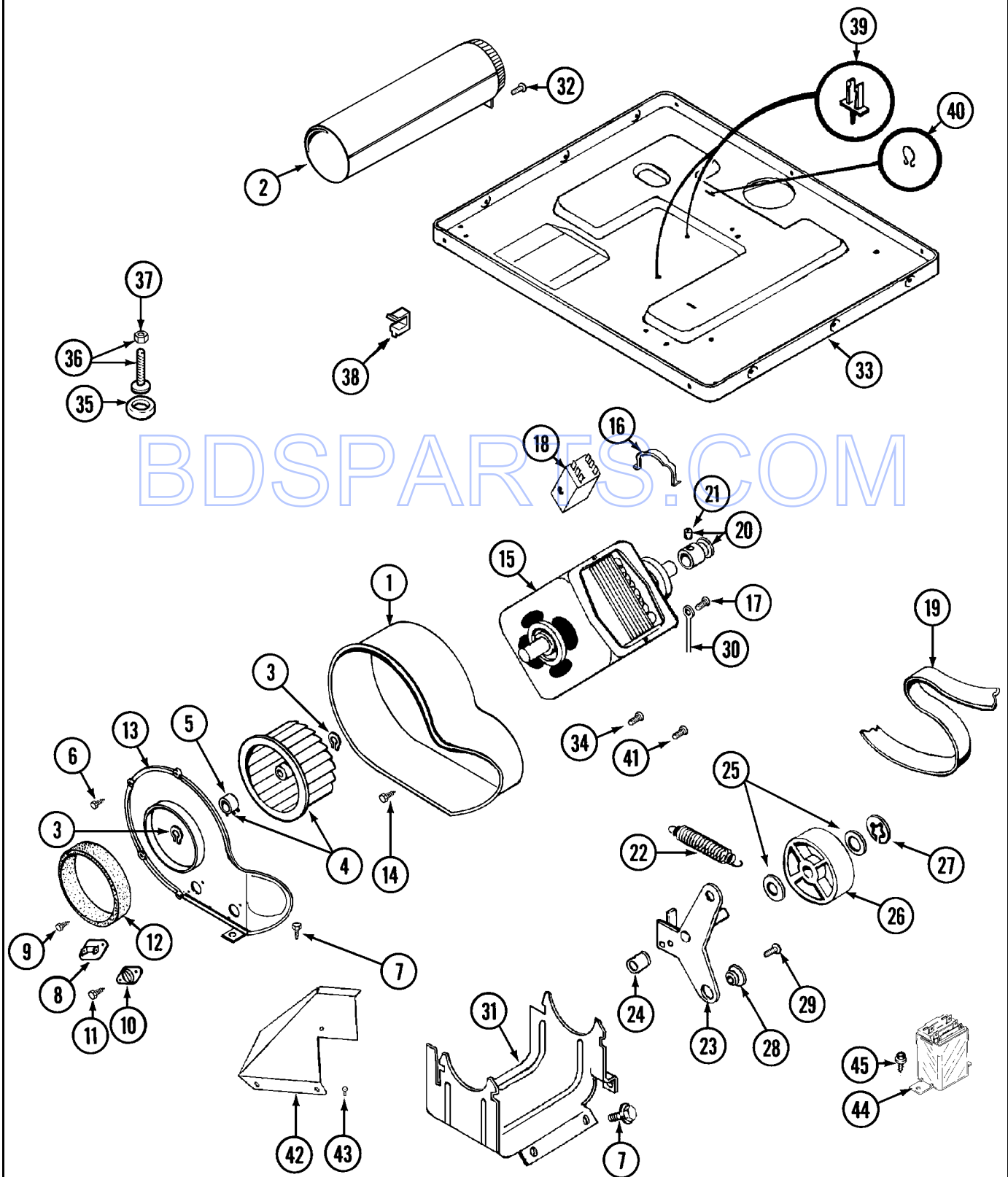
| No. | Part No. | Description | Series | Qty |
|------|----------|---|--------|-----|
| 1 | 211294 | SCREW Note: SCREW, HEATER | 10 | 12 |
| 2 | 308503 | INLET DUCT ASSY. Note: DUCT, INLET | 10 | 1 |
| 3 | 314995 | HEATER ENCLOSURE Note: ENCLOSURE, HEATER | 10 | 1 |
| 4 | 315346 | BRACKET, THERMAL FUSE | 10 | 1 |
| 5 | 314848 | SCREW | 10 | 2 |
| 6 | 307473 | FUSE, THERMAL | 10 | 1 |
| 7 | 314998 | INSULATOR, TERMINAL | 10 | 2 |
| 8 | 307185 | HEATER SUB-ASSEMBLY (240V) Note: SUB-ASSEMBLY, HEATER (240V) | 10 | 1 |
| 9 | 314999 | SHIELD, RADIANT | 10 | 1 |
| 10 N | 314554 | SCREW Note: SCREW, TERMINAL INSULATOR | 10 | 2 |
| 11 | 303396 | THERMOSTAT, HI-LIMIT (ELEC) | 10 | 1 |
| 12 | 307179 | HEATER ASSEMBLY(COMPLETE 240V) Note: HEATER ASSEMBLY (COMPLETE) | 10 | 1 |
| 13 | 307173 | WIRE, JUMPER | 10 | 1 |
| - | 308590 | CONVERSION KIT (240V TO 208V) Note: CONVERSION KIT (240V TO 208V) | 10 | 1 |

BDSPARTS.COM

*Color Code (-)=Not Shown #=Series, Serial Prefix or Run No., N=Not Available

Section: MOTOR DRIVE

Model: MDE10PRACW



BDSPARES.COM

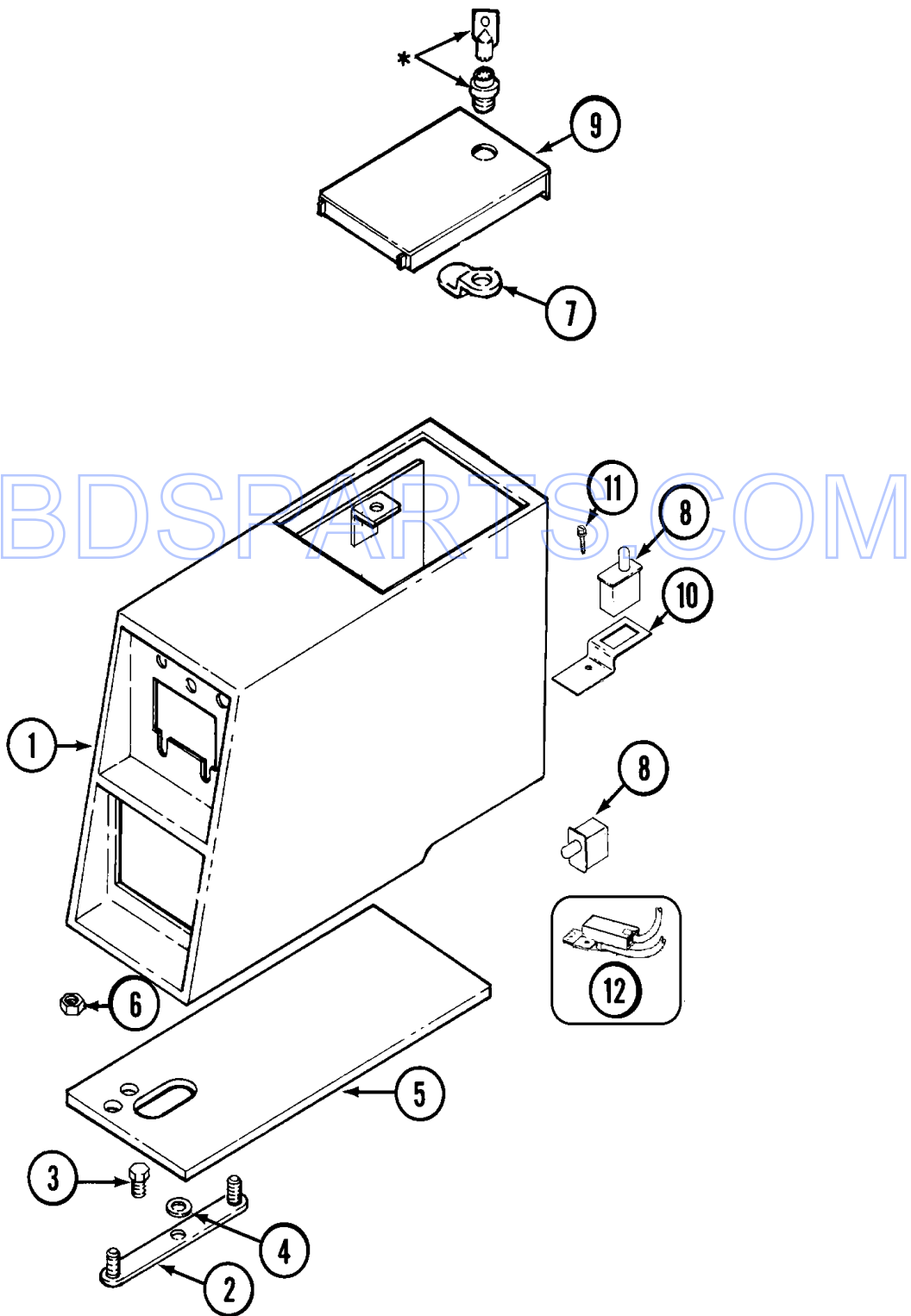
Section: MOTOR DRIVE

| No. | Part No. | Description | Series | Qty |
|-----|----------|---|--------|-----|
| 1 | 312893 | HOUSING, BLOWER | 10 | 1 |
| 2 | 303442 | EXHAUST DUCT ASSY. Note: EXHAUST DUCT ASSEMBLY | 10 | 1 |
| 3 | 410233 | RING, RETAINING | 10 | 2 |
| 4 | 303836 | BLOWER WHEEL ASSEMBLY & CLAMP Note: BLOWER WHEEL ASSEMBLY | 10 | 1 |
| 5 | 312967 | CLAMP, BLOWER HOUSING Note: CLAMP, BLOWER WHEEL | 10 | 1 |
| 6 | 312961 | SCREW Note: SCREW, HOUSING COVER | 10 | 6 |
| 7 | N 313561 | SCREW----NA Note: SCREW, HOUSING COVER | 10 | 3 |
| 8 | 303391 | CYCLING THERMOSTAT 155 DEG. Note: THERMOSTAT, CYCLING | 10 | 1 |
| 8 | 306056 | THERMISTOR TEMP CONTROL Note: THERMISTOR, TEMP. CONTROL | 10 | 1 |
| 9 | 211294 | SCREW Note: SCREW, THERMOSTAT | 10 | 2 |
| 10 | 306604 | CUT-OFF, THERMAL Note: CUT-OFF, THERMAL | 10 | 1 |
| 11 | 314848 | SCREW Note: SCREW, THERMAL CUT-OFF | 10 | 2 |
| 12 | 312901 | SEAL, BLOWER Note: SEAL, HOUSING COVER | 10 | 1 |
| 13 | 314778 | COVER FOR BLOWER Note: COVER, BLOWER HOUSING | 10 | 1 |
| 14 | 310632 | SCREW Note: SCREW, BLOWER HOUSING | 10 | 4 |
| 15 | 303358 | MOTOR | 10 | 1 |
| 16 | 015825 | CLIP, MOTOR | 10 | 2 |
| 17 | 910343 | SCREW, GROUND WIRE | 10 | 1 |
| 18 | N 306207 | SWITCH, MOTOR START-PROD. Note: SWITCH, MOTOR EXTERNAL START (PROD. #303358-8 & 303358-9) | 10 | 1 |
| 18 | 303879 | SWITCH, MOTOR STARTPROD. Note: SWITCH, MOTOR EXTERNAL START (PROD. #303358 & 303358-6) | 10 | 1 |
| 18 | 303877 | SWITCH, MOTOR Note: SWITCH, MOTOR EXTERNAL START (PROD. #303358-4 & 303358-7) | 10 | 1 |
| 19 | 312959 | BELT, TUMBLER & MOTOR | 10 | 1 |
| 20 | 305185 | PULLEY, MOTOR (W/SET SCREW) | 10 | 1 |
| 21 | 053241 | SET SCREW, PULLEY Note: SCREW, SET | 10 | 1 |
| 22 | 303945 | IDLER SPRING ASSEMBLY Note: IDLER SPRING ASSEMBLY | 10 | 1 |
| 23 | 303363 | IDLER ARM & SHAFT ASSY. Note: IDLER ARM & SHAFT ASSEMBLY | 10 | 1 |
| 24 | 313582 | SPACER, IDLER BRACKET | 10 | 1 |
| 25 | 312527 | WASHER, IDLER SHAFT (QTY-1) | 10 | 2 |
| 26 | 303705 | PULLEY, IDLER Note: PULLEY, IDLER (W/BEARING) | 10 | 1 |
| 27 | 312958 | RETAINING RING, IDLER SHAFT Note: RING, RETAINING | 10 | 1 |
| 28 | 315772 | SLEEVE, IDLER ARM | 10 | 1 |
| 29 | 014874 | SCREW Note: SCREW, IDLER ARM & SLEEVE | 10 | 1 |
| 30 | 901220 | WIRE, GROUND Note: GROUND WIRE | 10 | 1 |
| 31 | N 312897 | SUPPORT, MOTOR | 10 | 1 |
| 32 | 310632 | SCREW Note: SCREW, EXHAUST DUCT | 10 | 1 |
| 33 | 305084 | BASE Note: BASE ASSEMBLY | 10 | 1 |
| 34 | 211294 | SCREW Note: SCREW, GROUND WIRE | 10 | 1 |
| 35 | 314137 | FOOT, RUBBER Note: FOOT, RUBBER | 10 | 4 |
| 36 | 305086 | ADJUSTABLE LEG & NUT Note: LEG & NUT | 10 | 4 |
| 37 | 052740 | NUT Note: NUT, LEG | 10 | 4 |
| 38 | 310376 | CLIP, WIRE HARNESS Note: CLIP, CABLE | 10 | 1 |
| 39 | 315471 | RETAINER, WIRE Note: RETAINER, WIRE | 10 | 1 |
| 40 | 410490 | SPRING, WIRE HARNESS | 10 | 2 |
| 41 | 312961 | SCREW Note: SCREW, SPACE | 10 | 1 |
| 42 | 315122 | COVER, THERMOSTAT | 10 | 1 |
| 43 | 310632 | SCREW Note: SCREW, THERMOSTAT COVER | 10 | 2 |
| 44 | 306199 | RELAY, HEATER | 10 | 1 |
| 45 | 251119 | SCREW Note: SCREW, RELAY | 10 | 1 |

*Color Code (-)=Not Shown #=Series, Serial Prefix or Run No., N=Not Available

Section: CONTROL CENTER

Model: MDE10PRACW



* CONTACT YOUR COMMERCIAL LAUNDRY DISTRIBUTOR

Section: CONTROL CENTER

| No. | Part No. | Description | Series | Qty |
|-----|------------|--|--------|-----|
| 1 | 22001407 | CASE, COIN SLIDE (WHT) | 10 | 1 |
| 2 | N 203307 | MTG. STRAP----NA Note: STRAP, MOUNTING | 10 | 1 |
| 3 | 211294 | SCREW Note: SCREW, MOUNTING STRAP | 10 | 1 |
| 4 | 910309 | WASHER Note: WASHER, STRAP SCREW | 10 | 1 |
| 5 | 214660 | GASKET, METER CASE | 10 | 1 |
| 6 | 052740 | NUT Note: NUT, CASE MOUNTING | 10 | 2 |
| 7 | 213750 | LOCKING CAM Note: CAM, LOCK | 10 | 1 |
| 8 | 33001250 | SWITCH, SENSOR | 10 | 1 |
| 9 | 204216 | DOOR, ACCESS (WHT) | 10 | 1 |
| 10 | 22001404 | BRACKET, SWITCH | 10 | 1 |
| 11 | 212276 | SCREW Note: SCREW, SWITCH BRACKET | 10 | 1 |
| 12 | N 22001649 | HARNESS, WIRE (SENSOR SWITCH) Note: HARNESS, WIRE (SENSOR SW.) | 10 | 1 |

BDSPARTS.COM

*Color Code (-)=Not Shown #=Series, Serial Prefix or Run No., N=Not Available

