

# DRYER

## Repair Parts List

MODEL NUMBER

MDE12MNACW

DDSPARTS.COM

When requesting service or ordering parts, always provide the following information:

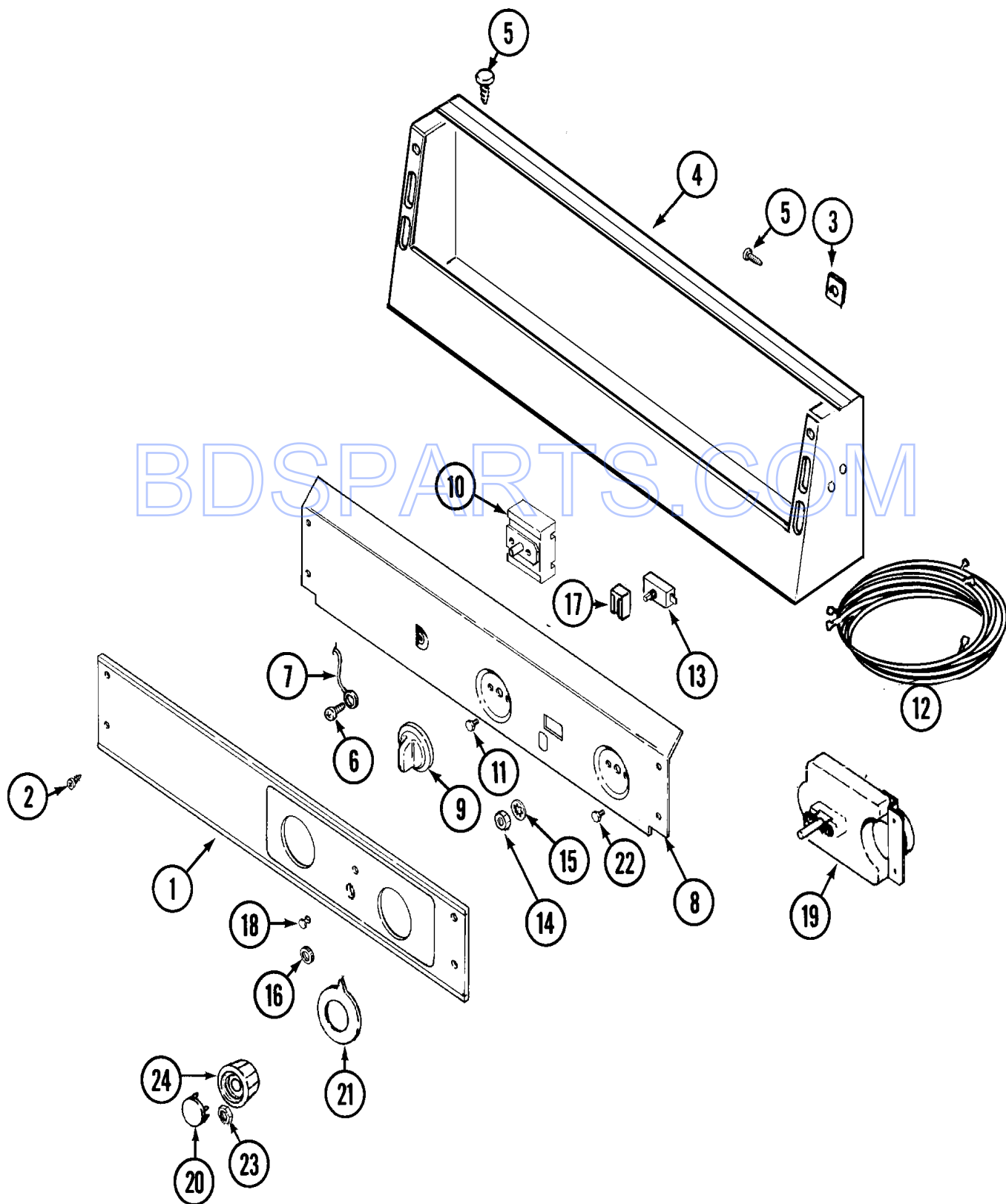
- Product Type
- Part Number
- Model Number
- Part Description

**MAYTAG**®

©2005 Maytag Services

Section: CONTROL PANEL

Model: MDE12MNACW



CD11-5

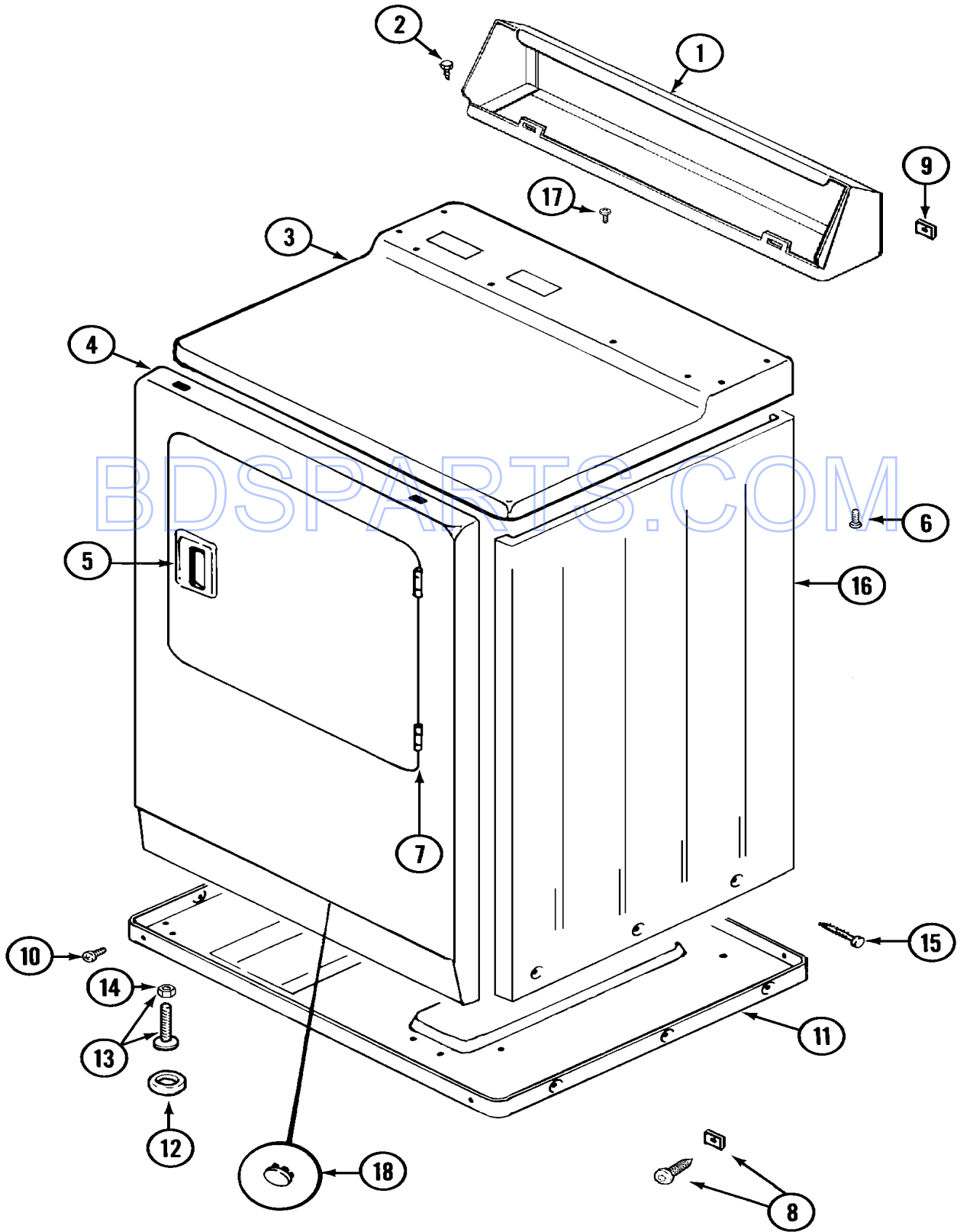
## Section: CONTROL PANEL

No.	Part No.	Description	Series	Qty
1	33001710	PANEL, CONTROL	10	1
2	215506	SCREW, TORX Note: SCREW, CONTROL PANEL	10	4
3	215003	FASTENER Note: FASTENER, CONTROL PANEL	10	2
4	33001280	CONSOLE (WHT)	10	1
5	212276	SCREW Note: SCREW, CONSOLE	10	4
6	211252	SCREW Note: SCREW, GROUND WIRE	10	1
7	205810	WIRE, GROUND Note: WIRE, GROUND	10	1
8	N 314911	BACK-UP PLATE - WHITE Note: BRACKET, CONTROL PANEL (WHT)	10	1
9	306938	KNOB, SELECTOR SWITCH Note: KNOB, SELECTOR	10	1
10	307237	SWITCH, CYCLE SELECTOR Note: SWITCH, CYCLE SELECTOR	10	1
11	313588	SCREW Note: SCREW, SELECTOR SWITCH	10	2
12	33001514	HARNESS, WIRE	10	1
13	306940	SWITCH, PUSH-TO-START	10	1
14	312706	HEX NUT ON SWITCH Note: NUT, SWITCH	10	1
15	312751	LOCK WASHER Note: WASHER, SWITCH	10	1
16	312702	KNURLED NUT Note: NUT, KNURLED	10	1
17	204075	LIGHT, INDICATOR Note: LIGHT, INDICATOR	10	1
18	215564	LENS, INDICATOR (AMBER) Note: LENS, INDICATOR LIGHT	10	1
19	305214	TIMER	10	1
20	314723	CAP FOR TIMER KNOB Note: CAP, TIMER KNOB	10	1
21	33001500	SKIRT, DIAL Note: SKIRT, TIMER DIAL	10	1
22	313588	SCREW Note: SCREW, TIMER	10	2
23	312273	NUT Note: NUT, TIMER KNOB	10	1
24	314724	KNOB FOR TIMER Note: KNOB, TIMER	10	1

\*Color Code (-)=Not Shown #=Series, Serial Prefix or Run No., N=Not Available

Section: CABINET-FRONT

Model: MDE12MNACW



LD12-4

**Section: CABINET-FRONT**

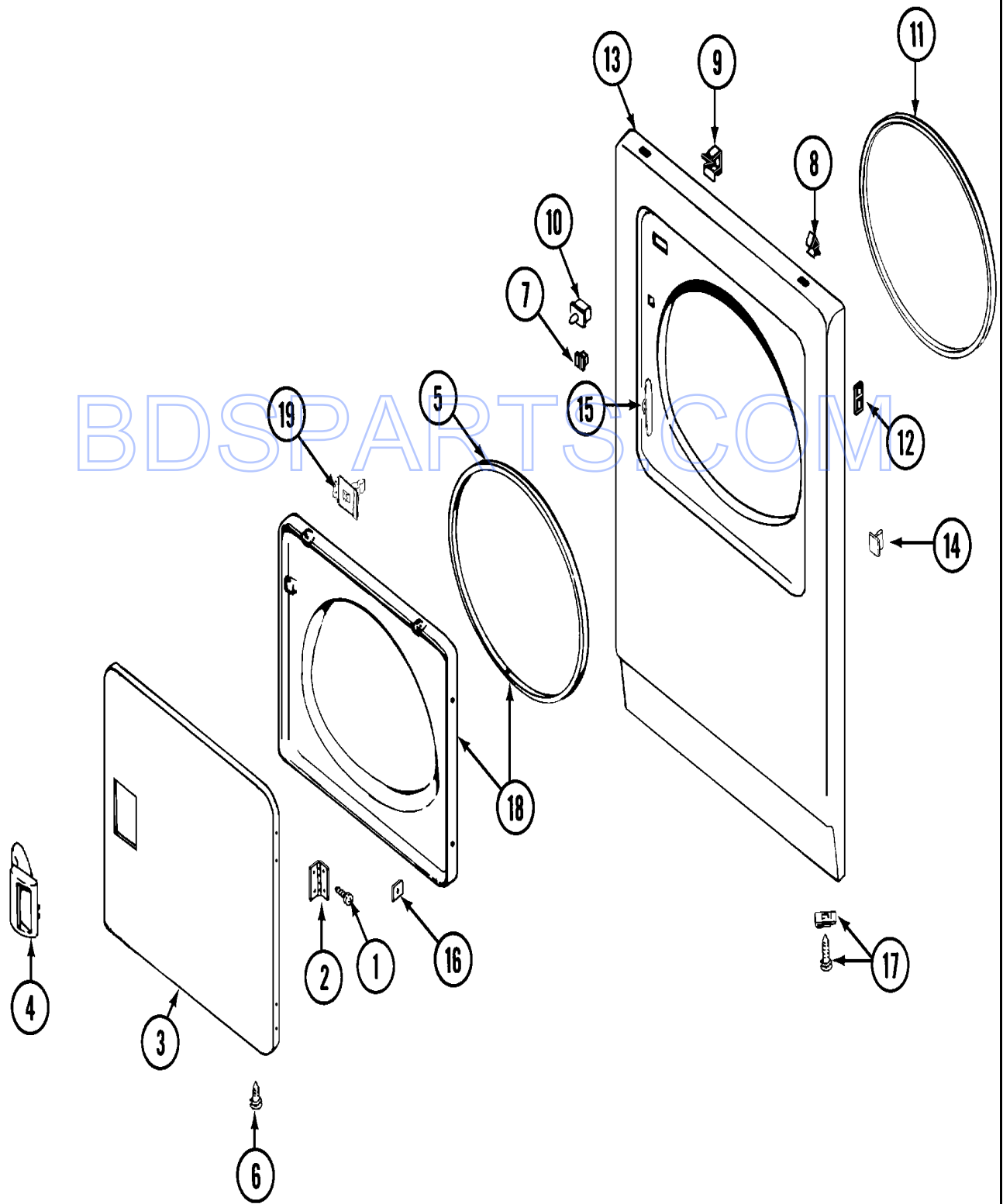
No.	Part No.	Description	Series	Qty
1	33001280	CONSOLE (WHT)	10	1
2	212276	SCREW Note: SCREW, CONSOLE	10	4
3	N 33001608	COVER, TOP (WHT)	10	1
-	33001486	PANEL, FASTENER	10	4
4	N 33001610	PANEL, FRONT (WHT)---NA	10	1
5	33001241	HANDLE, DOOR (WHT)	10	1
6	214354	SCREW Note: SCREW, TOP COVER	10	2
7	33001230	HINGE, DOOR	10	2
8	22001496	SCREW, TORX Note: SCREW, FRONT PANEL	10	2
9	215075	FASTENER,CNTRL PNL TO CONSOLE Note: FASTENER, CONSOLE	10	2
10	310632	SCREW Note: SCREW, CABINET	10	3
10	N 313561	SCREW---NA Note: SCREW, CABINET	10	2
11	303361	BASE ASSY. Note: BASE ASSEMBLY	10	1
12	314137	FOOT, RUBBER	10	4
13	305086	ADJUSTABLE LEG & NUT	10	4
14	052740	NUT Note: NUT, LEG	10	4
15	213007	SCREW, CABINET Note: SCREW, CABINET SIDES	10	6
16	N 33001159	CABINET (WHT)	10	1
17	210186	SCREW, GROUND WIRE TO BASE--NA Note: SCREW, GROUND	10	1
18	33001614	PLUG, FRONT PANEL (WHT)	10	1

BDSPARTS.COM

\*Color Code (-)=Not Shown #=Series, Serial Prefix or Run No., N=Not Available

Section: DOOR

Model: MDE12MNACW



LD17-4

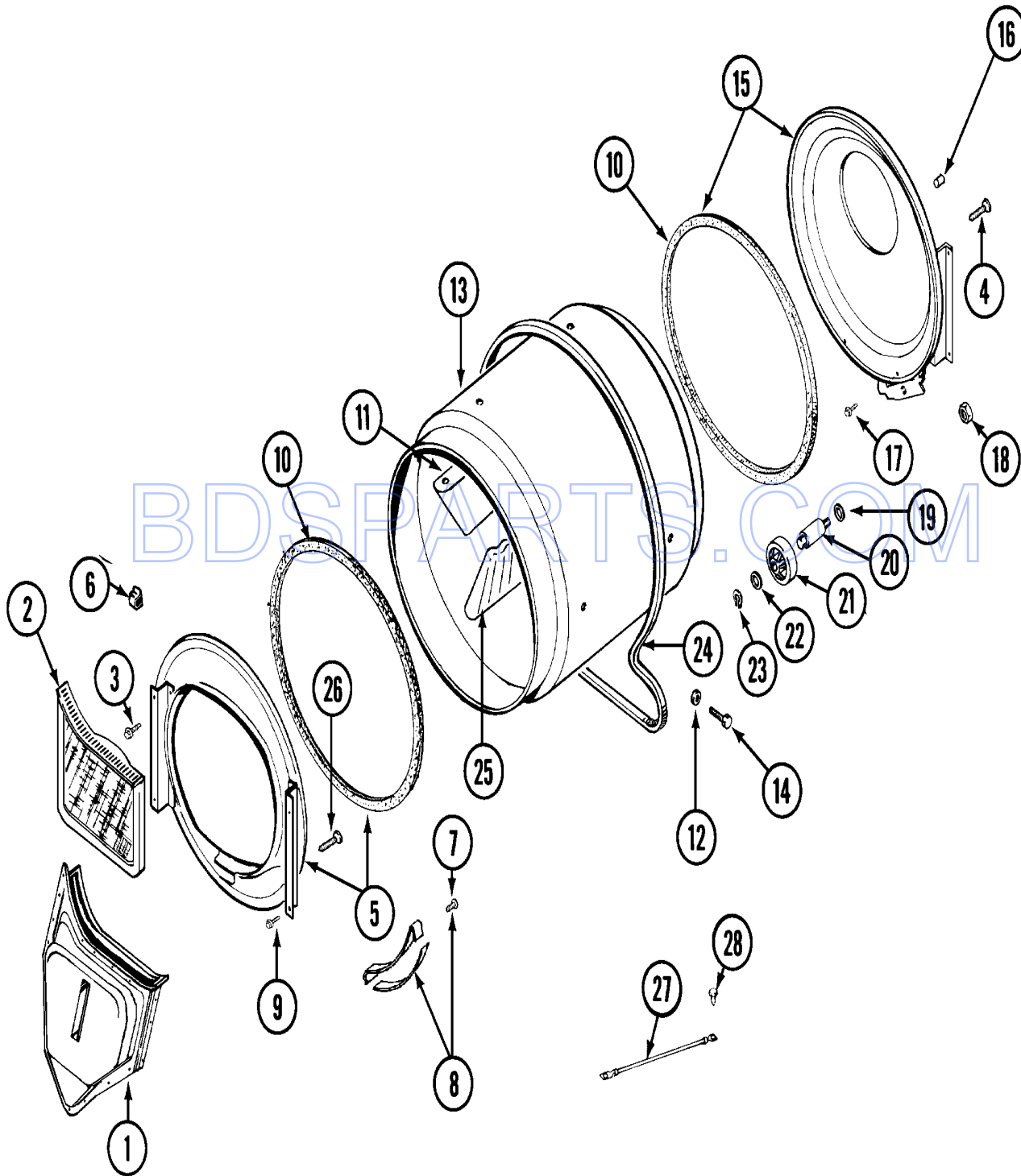
## Section: DOOR

No.	Part No.	Description	Series	Qty
1	314062	SCREW Note: SCREW, HINGE, DOOR & PANEL	10	14
2	33001230	HINGE, DOOR	10	2
3	33001240	DOOR (WHT)	10	1
4	33001241	HANDLE, DOOR (WHT)	10	1
5	33001131	SEAL, DOOR	10	1
6	33001132	PLUG, SIGHT HOLE (WHT) Note: PLUG, DOOR (WHT)	10	2
7	304578	CATCH, DOOR (FEMALE)	10	2
8	22001650	FASTENER, SPRING	10	2
9	310376	CLIP, WIRE HARNESS Note: CLIP, CABLE	10	2
10	33001509	SWITCH, DOOR	10	1
11	314937	SEAL, FRONT PANEL	10	1
-	N 33001172	SCREW, PLASTIC	10	4
12	N 33001173	NUT, SPEED Note: SPEEDNUT, HINGE SCREW	10	4
13	N 33001610	PANEL, FRONT (WHT)----NA	10	1
-	33001486	PANEL, FASTENER	10	4
14	N 33001174	PLUG, DOOR CATCH	10	1
15	33001175	COVER, HINGE HOLE (WHT)	10	2
16	313910	CLIP, DOOR LINER TO OUTER PNL Note: FASTENER, INNER DOOR	10	9
17	22001496	SCREW, TORX Note: SCREW, FRONT PANEL	10	2
18	33001243	DOOR, INNER (W/SEAL)	10	1
-	314944	STRIKE PLATE Note: BRACKET, STRIKE	10	1
19	33001305	STRIKE, DOOR (W/BRACKET)	10	1

\*Color Code (-)=Not Shown #=Series, Serial Prefix or Run No., N=Not Available

Section: TUMBLER

Model: MDE12MNACW





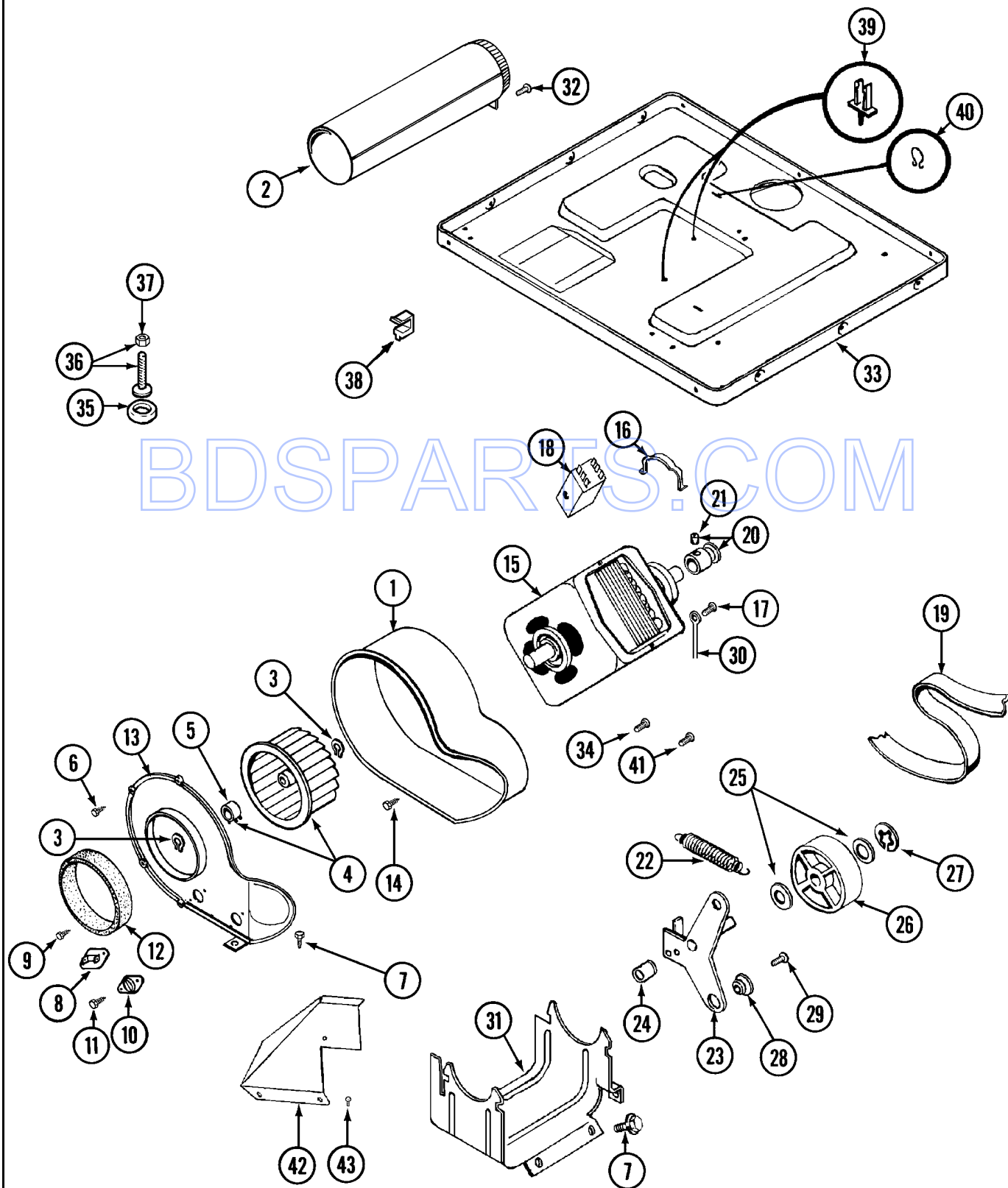
## Section: TUMBLER

No.	Part No.	Description	Series	Qty
1	33001016	DUCT ASSY., OUTLET Note: OUTLET DUCT ASSEMBLY	10	1
2	33001170	FILTER, LINT	10	1
3	N 313764	SCREW Note: SCREW, TUMBLER SUPPORT	10	4
4	N 313561	SCREW----NA Note: SCREW, TUMBLER FRONT	10	2
5	33001179	FRONT, TUMBLER (W/SEAL)	10	1
6	310376	CLIP, WIRE HARNESS Note: CLIP, CABLE	10	1
7	210720	RIVET	10	4
8	306508	TUMBLER BEARING KIT	10	2
9	310632	SCREW Note: SCREW, TUMBLER FRONT	10	3
10	314820	SEAL, TUMBLER	10	2
11	33001012	BAFFLE (SHORT)	10	1
12	314158	WASHER Note: WASHER, BAFFLE	10	6
13	33001108	DRYER TUMBLER, W/O BAFFLES	10	1
14	310759	SCREW Note: SCREW, TUMBLER BAFFLE	10	6
15	33001178	BACK, TUMBLER (W/SEAL)	10	1
16	N 313915	COVER, THREAD	10	4
17	310632	SCREW Note: SCREW, TUMBLER BACK	10	3
18	312538	NUT, ROLLER SHAFT	10	2
19	313347	WASHER, SPRING (ROLLER SHAFT) Note: WASHER, SPRING	10	2
20	312948	SHAFT, TUMBLER ROLLER	10	2
21	303373	BEARING & ROLLER ASSEMBLY Note: ROLLER (W/BEARING)	10	2
22	312535	WASHER, ROLLER SHAFT	10	2
23	410233	RING, RETAINING	10	2
24	312959	BELT, TUMBLER & MOTOR Note: BELT, DRUM	10	1
25	33001004	BAFFLE, TALL Note: BAFFLE (TALL)	10	2
26	314110	SCREW, INLET DUCT Note: SCREW, OUTLET DUCT	10	4
27	901220	WIRE, GROUND	10	1
28	910343	SCREW, GROUND WIRE	10	1

\*Color Code (-)=Not Shown #=Series, Serial Prefix or Run No., N=Not Available

Section: MOTOR DRIVE

Model: MDE12MNACW



BDSPARES.COM

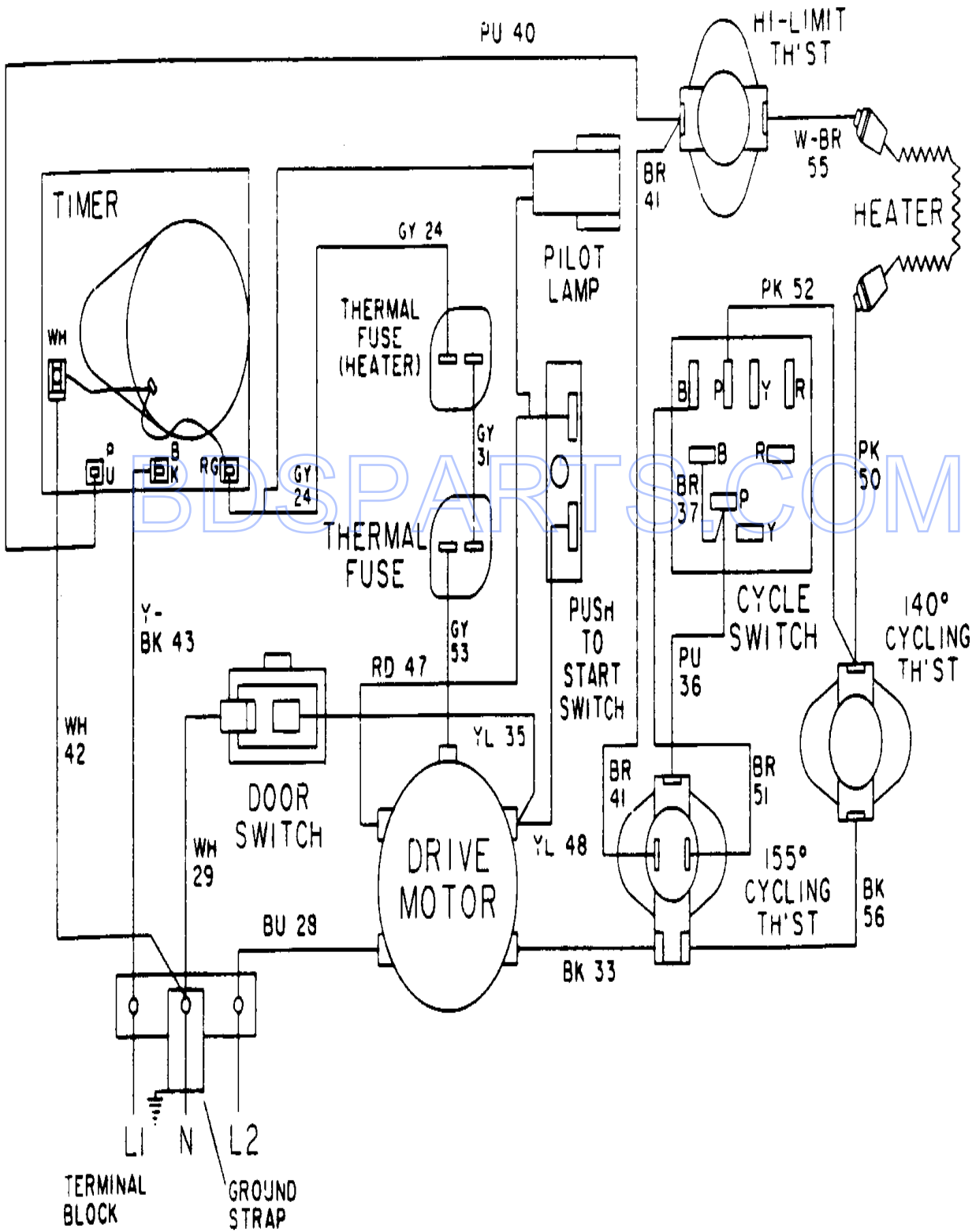
## Section: MOTOR DRIVE

No.	Part No.	Description	Series	Qty
1	312893	HOUSING, BLOWER	10	1
2	303442	EXHAUST DUCT ASSY. Note: EXHAUST DUCT ASSEMBLY	10	1
3	410233	RING, RETAINING	10	2
4	303836	BLOWER WHEEL ASSEMBLY & CLAMP Note: BLOWER WHEEL ASSEMBLY	10	1
5	312967	CLAMP, BLOWER HOUSING Note: CLAMP, BLOWER WHEEL	10	1
6	312961	SCREW Note: SCREW, HOUSING COVER	10	6
7	N 313561	SCREW----NA Note: SCREW, HOUSING COVER	10	3
8	306967	THERMOSTAT, MULTI-TEMP Note: THERMOSTAT, MULTI-TEMP.	10	1
8	303392	CYCLING THERMOSTAT 140 DEG. Note: THERMOSTAT, CYCLING	10	1
9	211294	SCREW Note: SCREW, THERMOSTAT	10	2
10	306604	CUT-OFF, THERMAL Note: CUT-OFF, THERMAL	10	1
11	314848	SCREW Note: SCREW, THERMAL CUT-OFF	10	2
12	312901	SEAL, BLOWER Note: SEAL, HOUSING COVER	10	1
13	314778	COVER FOR BLOWER Note: COVER, BLOWER HOUSING	10	1
14	314818	SCREW Note: SCREW, BLOWER HOUSING	10	4
15	303358	MOTOR	10	1
16	015825	CLIP, MOTOR	10	2
17	910343	SCREW, GROUND WIRE	10	1
18	303877	SWITCH, MOTOR Note: SWITCH, MOTOR EXTERNAL START (#303358-2, 303358-4,303358-7)	10	1
18	303879	SWITCH, MOTOR STARTPROD. Note: SWITCH, MOTOR EXTERNAL START (PROD. # 303358 & 303358-6)	10	1
18	N 306207	SWITCH, MOTOR START-PROD. Note: SWITCH, MOTOR EXTERNAL START (PROD. # 303358-8 & 303358-9)	10	1
19	312959	BELT, TUMBLER & MOTOR	10	1
20	305185	PULLEY, MOTOR (W/SET SCREW)	10	1
21	053241	SET SCREW, PULLEY Note: SCREW, SET	10	1
22	303945	IDLER SPRING ASSEMBLY Note: IDLER SPRING ASSEMBLY	10	1
23	303363	IDLER ARM & SHAFT ASSY. Note: IDLER ARM & SHAFT ASSEMBLY	10	1
24	313582	SPACER, IDLER BRACKET	10	1
25	312527	WASHER, IDLER SHAFT (QTY-1)	10	2
26	303705	PULLEY, IDLER	10	1
27	312958	RETAINING RING, IDLER SHAFT Note: RING, RETAINING	10	1
28	N 312894	SLEEVE, IDLER ARM	10	1
29	014874	SCREW Note: SCREW, IDLER ARM	10	1
30	901220	WIRE, GROUND	10	1
31	N 312897	SUPPORT, MOTOR	10	1
32	310632	SCREW Note: SCREW, EXHAUST DUCT	10	1
33	305084	BASE Note: BASE ASSEMBLY	10	1
34	211294	SCREW Note: SCREW, GROUND WIRE	10	1
35	314137	FOOT, RUBBER	10	4
36	305086	ADJUSTABLE LEG & NUT	10	4
37	052740	NUT Note: NUT, LEG	10	4
38	310376	CLIP, WIRE HARNESS Note: CLIP, CABLE	10	1
39	315471	RETAINER, WIRE	10	1
40	410490	SPRING, WIRE HARNESS	10	2
41	312961	SCREW Note: SCREW, SPACER	10	1
42	315122	COVER, THERMOSTAT	10	1
43	310632	SCREW Note: SCREW, THERMOSTAT COVER	10	2

\*Color Code (-)=Not Shown #=Series, Serial Prefix or Run No., N=Not Available

Section: WIRING INFORMATION

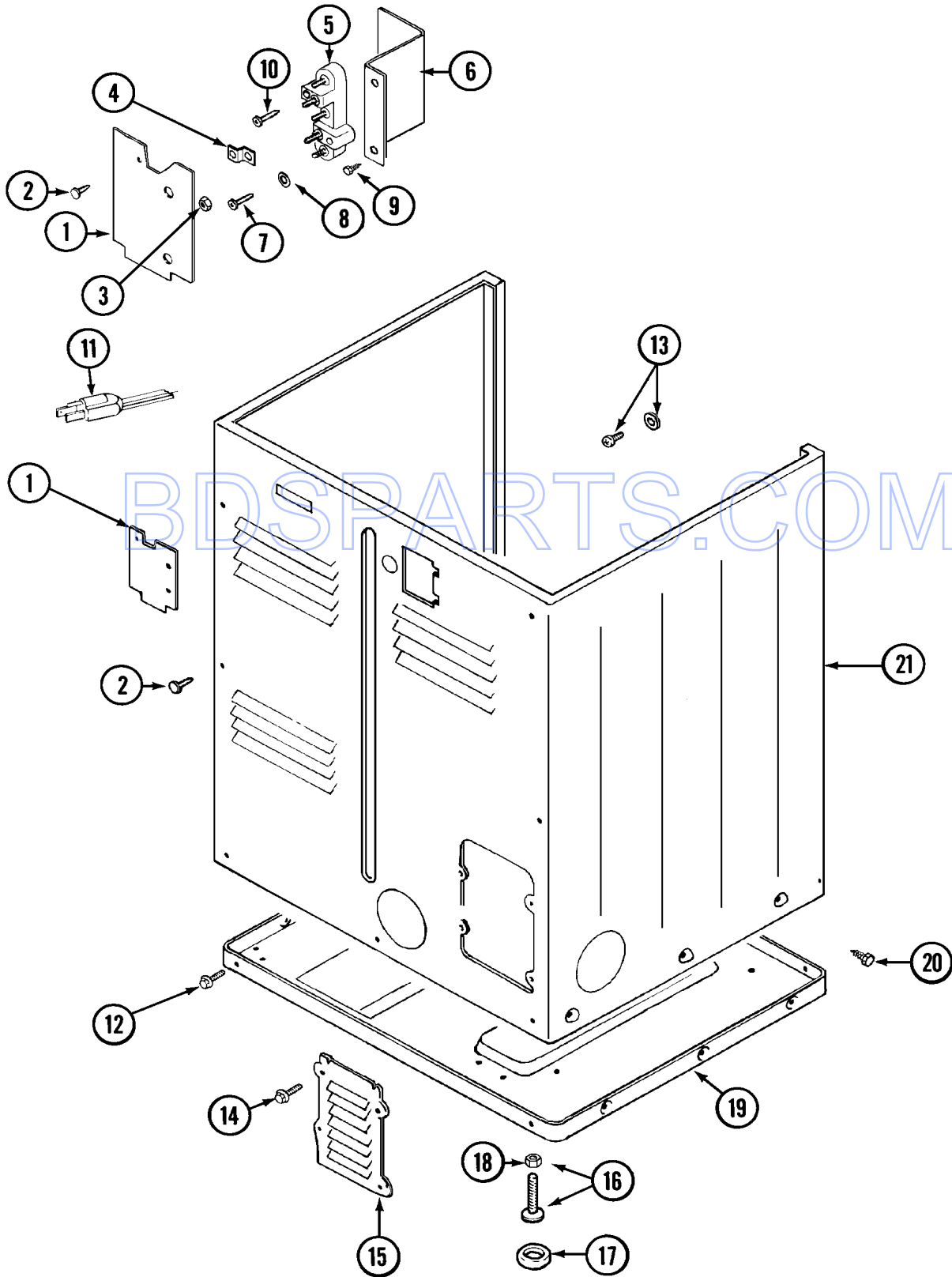
Model: MDE12MNACW



15001180

Section: CABINET-REAR

Model: MDE12MNACW



CD18-24

**Section: CABINET-REAR**

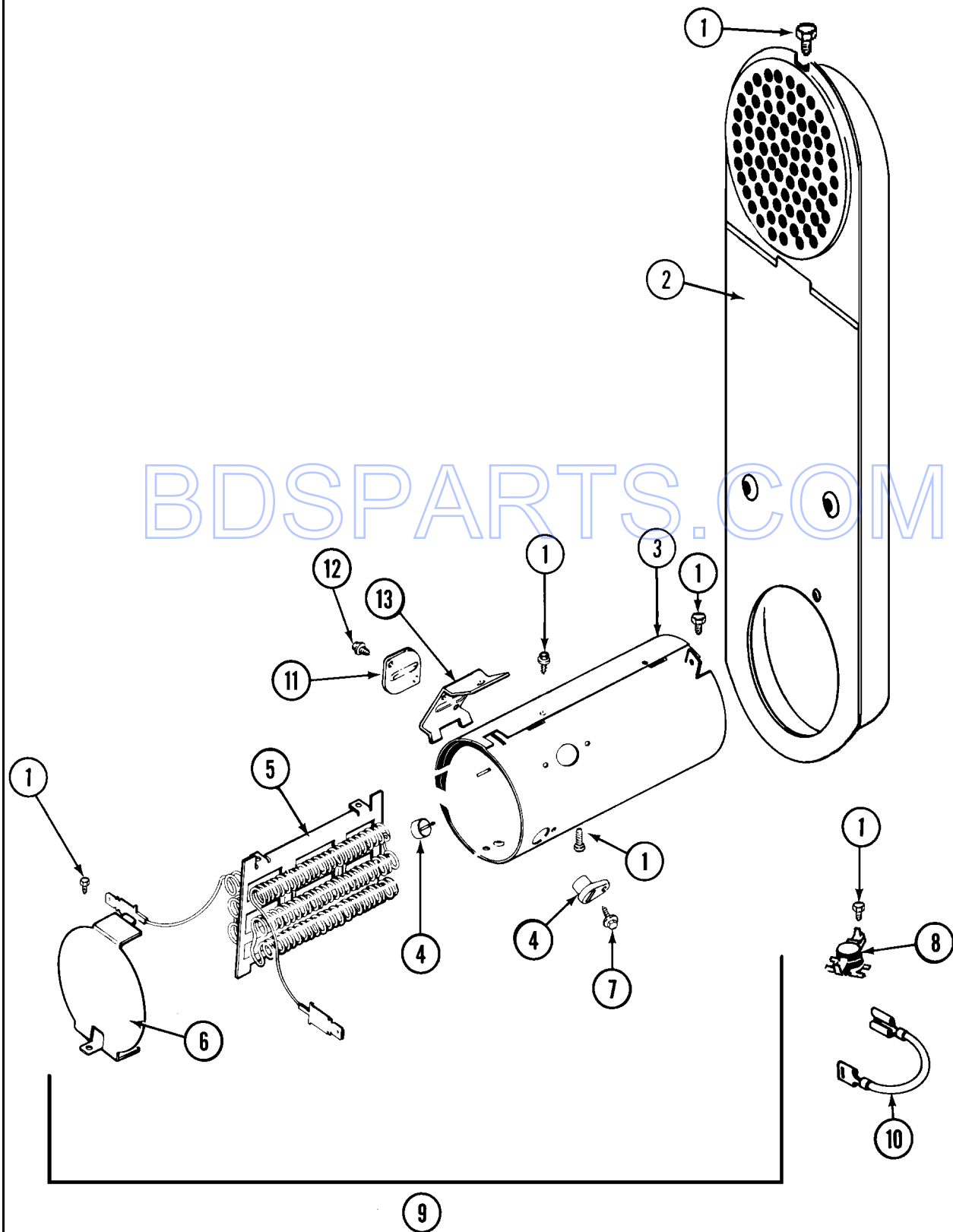
No.	Part No.	Description	Series	Qty
1	312905	COVER, TERMINAL	10	1
2	N 313561	SCREW----NA Note: SCREW, TERMINAL COVER	10	1
3	311484	NUT, TERMINAL BLOCK Note: NUT, TERMINAL BLOCK	10	3
4	312184	STRAP, GROUND	10	1
5	33001244	BLOCK, TERMINAL	10	1
6	312904	BRACKET, TERMINAL BLOCK	10	1
7	312209	SCREW, #10-24 X 3/4 INCH Note: SCREW, TERMINAL BLOCK	10	2
8	311270	WASHER, TERMINAL BLOCK	10	3
9	310632	SCREW Note: SCREW, TERMINAL BRACKET	10	1
10	N 33001245	SCREW----NA Note: SCREW, GROUND STRAP	10	1
12	310632	SCREW Note: SCREW, CABINET	10	3
-	N 313561	SCREW----NA Note: SCREW, CABINET	10	1
13	303846	SCREW & WASHER ASSY. Note: SCREW & WASHER ASSEMBLY	10	1
14	216423	SCREW Note: SCREW, ACCESS COVER	10	4
15	312951	COVER, ACCESS	10	1
16	305086	ADJUSTABLE LEG & NUT Note: LEG & NUT	10	4
17	314137	FOOT, RUBBER	10	4
18	052740	NUT Note: NUT, LEG	10	4
19	303361	BASE ASSY. Note: BASE ASSEMBLY	10	1
20	213007	SCREW, CABINET Note: SCREW, CABINET SIDES	10	6
21	N 33001159	CABINET (WHT)	10	1

BDSPARTS.COM

\*Color Code (-)=Not Shown #=Series, Serial Prefix or Run No., N=Not Available

Section: HEATER

Model: MDE12MNACW



CD15-2

**Section: HEATER**

No.	Part No.	Description	Series	Qty
1	211294	SCREW Note: SCREW, HEATER	10	12
2	308503	INLET DUCT ASSY. Note: DUCT, INLET	10	1
3	314995	HEATER ENCLOSURE Note: ENCLOSURE, HEATER	10	1
4	314998	INSULATOR, TERMINAL	10	2
5	307185	HEATER SUB-ASSEMBLY (240V) Note: SUB-ASSEMBLY, HEATER	10	1
6	314999	SHIELD, RADIANT	10	1
7	N 314554	SCREW Note: SCREW, TERMINAL INSULATOR	10	2
8	303396	THERMOSTAT, HI-LIMIT (ELEC)	10	1
9	307179	HEATER ASSEMBLY(COMPLETE 240V) Note: HEATER ASSEMBLY (COMPLETE)	10	1
10	307173	WIRE, JUMPER	10	1
11	307473	FUSE, THERMAL	10	1
12	314848	SCREW	10	2
13	315346	BRACKET, THERMAL FUSE	10	1
-	308590	CONVERSION KIT (240V TO 208V) Note: CONVERSION KIT (240V TO 208V)	10	1

BDSPARTS.COM

\*Color Code (-)=Not Shown #=Series, Serial Prefix or Run No., N=Not Available



