

DRYER

Repair Parts List

MODEL NUMBER

MDE13MNACW

DDSPARTS.COM

When requesting service or ordering parts, always provide the following information:

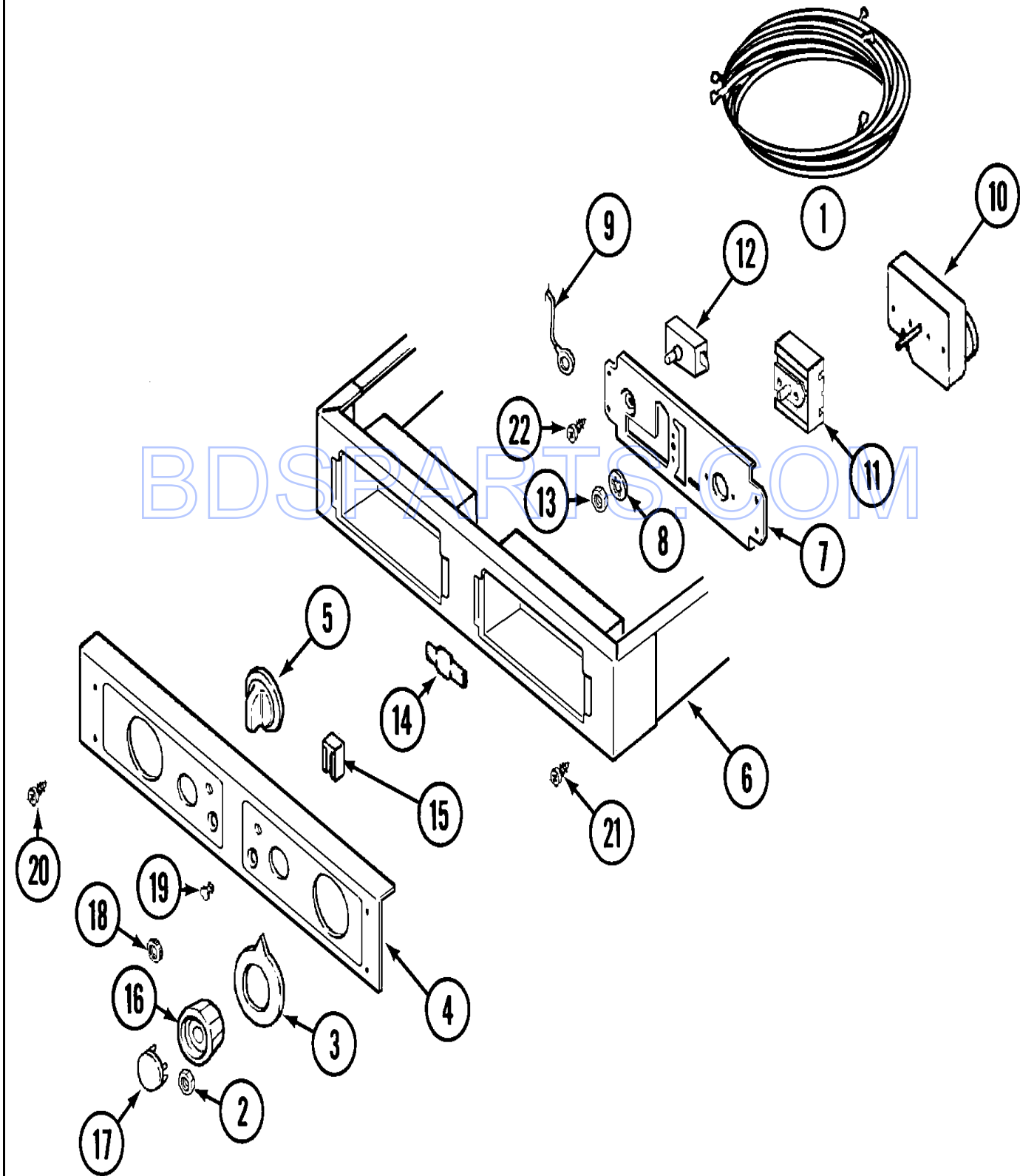
- Product Type
- Part Number
- Model Number
- Part Description

MAYTAG®

©2005 Maytag Services

Section: CONTROL PANEL & SUPPORT ASSY.

Model: MDE13MNACW



CD11-11

Section: CONTROL PANEL & SUPPORT ASSY.

No.	Part No.	Description	Series	Qty
1	N 33001513	HARNES, WIRE (LOWER) Note: (LWR)	10	1
-	314522	STRAIN RELIEF Note: GROMMET, STRAIN RELIEF	10	2
1	N 33001512	HARNES, WIRE (UPPER) Note: WIRE HARNES, MAIN (UPR)	10	1
2	312273	NUT Note: NUT, TIMER KNOB	10	2
3	33001500	SKIRT, DIAL Note: DIAL, TIMER INDICATOR	10	2
4	33001723	PANEL, CONTROL	10	1
5	205663	KNOB FOR SELECTOR SWITCH Note: KNOB, CYCLE SELECTOR	10	2
-	310632	SCREW Note: SCREW, SUPPORT ASSEMBLY	10	5
6	N 307314	SUPPORT ASSY Note: SUPPORT ASSEMBLY (WHT)	10	1
7	N 315039	CONTROLS MTG BRACKET Note: BRACKET, CONTROL MOUNTING	10	2
8	312751	LOCK WASHER Note: LOCK WASHER, START SWITCH	10	2
9	205810	WIRE, GROUND Note: GROUND WIRE	10	2
-	211252	SCREW Note: SCREW, GROUND WIRE	10	2
-	211168	SCREW, #8 X 5/16 INCH Note: SCREW, GROUND WIRE	10	2
10	307296	TIMER RPR	10	2
11	306940	SWITCH, PUSH-TO-START Note: SWITCH, PUSH	10	2
12	307253	SWITCH CYCLE SEL Note: SWITCH, CYCLE SELECTOR	10	2
13	312706	HEX NUT ON SWITCH Note: NUT, START SWITCH	10	2
14	201110	WIRE CONNECTOR Note: CONNECTOR, WIRE	10	2
15	204075	LIGHT, INDICATOR Note: LIGHT, INDICATOR	10	2
16	314724	KNOB FOR TIMER Note: KNOB, TIMER	10	2
17	314723	CAP FOR TIMER KNOB Note: CAP, TIMER KNOB	10	2
18	312702	KNURLED NUT Note: KNURLED NUT, START SWITCH	10	2
19	215564	LENS, INDICATOR (AMBER) Note: LENS, INDICATOR LIGHT	10	2
20	215506	SCREW, TORX Note: SCREW, CONTROL PANEL	10	4
21	910186	SCREW Note: SCREW, MOUNTING BRACKET	10	6
22	313588	SCREW Note: SCREW, TIMER & CYCLE SELECTOR	10	8

*Color Code (-)=Not Shown #=Series, Serial Prefix or Run No., N=Not Available

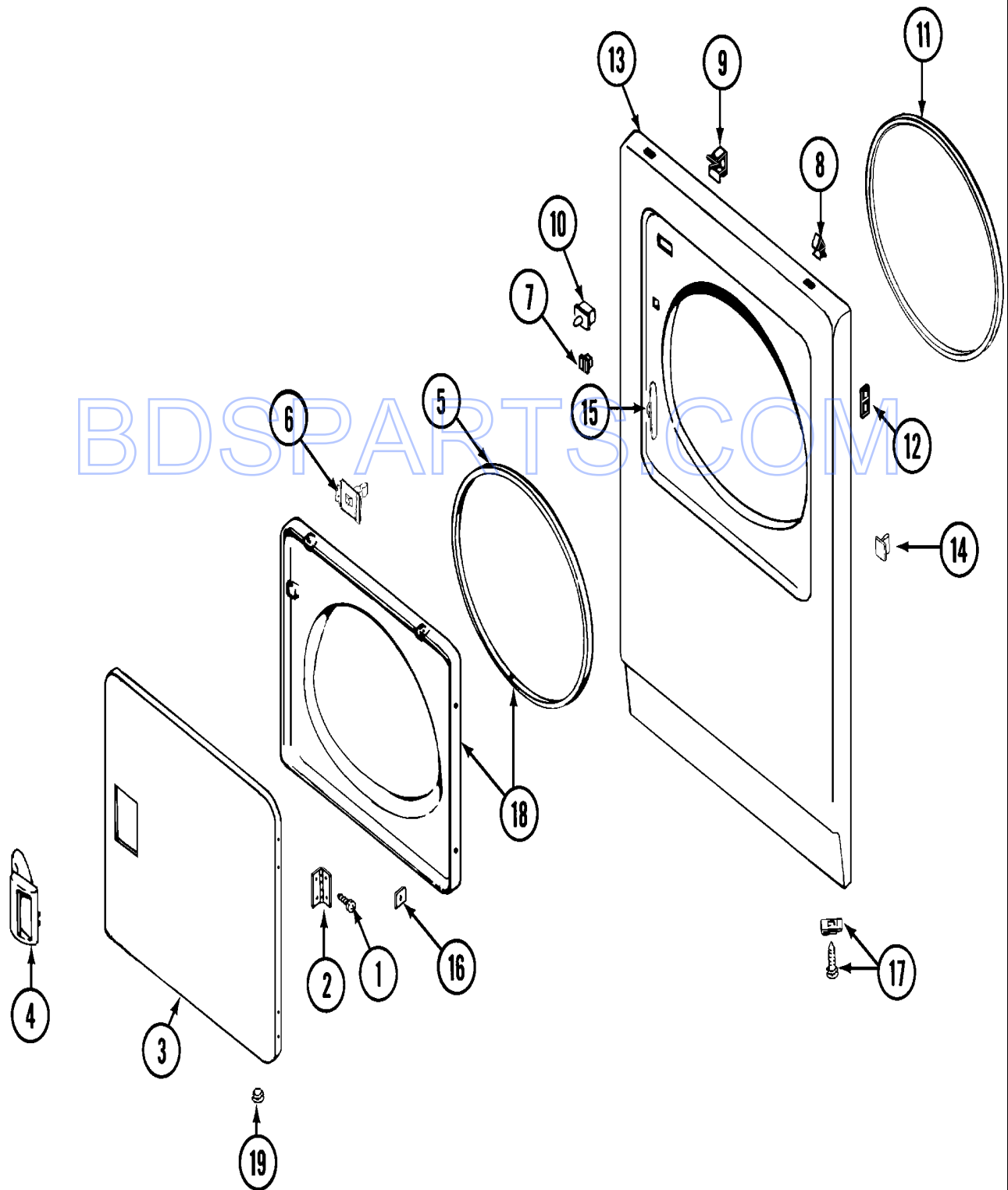
Section: FRONT

No.	Part No.	Description	Series	Qty
1	N 33001608	COVER, TOP (WHT)	10	1
2	N 314943	COVER PLATE Note: PLATE, COVER	10	2
3	N 33001329	CABINET (WHT) Note: CABINET (UPR-WHT)	10	1
4	307482	BASE ASSY Note: (UPR)	10	1
4	306530	BASE WELD ASSEMBLY Note: BASE ASSEMBLY (LWR)	10	1
5	910768	CABLE STRAP-HARNESS TO BASE Note: STOP, CABLE	10	2
-	314663	SCREW Note: SCREW, SUPPORT	10	2
6	N 33001233	SUPPORT (WHT) Note: SUPPORT ASSEMBLY (WHT)	10	1
-	310632	SCREW Note: SCREW, SUPPORT	10	5
-	911050	SCREW Note: SCREW, SUPPORT	10	1
7	N 33001327	CABINET (WHT) Note: CABINET (LWR-WHT)	10	1
8	302699	LEG, ADJUSTABLE (W/NUT) Note: LEG, ADJUSTABLE (W/NUT)	10	4
9	210684	FOOT, RUBBER Note: FOOT, RUBBER	10	4
10	210385	NUT, LOCK Note: NUT, LOCK	10	4
11	33001723	PANEL, CONTROL	10	1
-	33001486	PANEL, FASTENER	10	4
12	33001242	PANEL, FRONT (WHT) Note: PANEL, FRONT (UPR-WHT)	10	1
13	211168	SCREW, #8 X 5/16 INCH Note: SCREW, CABLE STOP	10	2
14	215506	SCREW, TORX Note: SCREW, CONTROL PANEL	10	4
15	33001241	HANDLE, DOOR (WHT) Note: HANDLE, DOOR (WHT)	10	2
16	33001240	DOOR (WHT)	10	2
17	33001711	NAMEPLATE	10	1
18	313559	SCREW Note: SCREW, COVER PLATE	10	2
19	213007	SCREW, CABINET Note: SCREW, CABINET SIDES	10	12
20	22001496	SCREW, TORX Note: SCREW, FRONT PANEL	10	4
-	33001486	PANEL, FASTENER	10	4
-	33001614	PLUG, FRONT PANEL (WHT)	10	2
21	N 33001724	PANEL, FRONT (WHT-LWR)	10	1

*Color Code (-)=Not Shown #=Series, Serial Prefix or Run No., N=Not Available

Section: DOOR

Model: MDE13MNACW



CD12-4

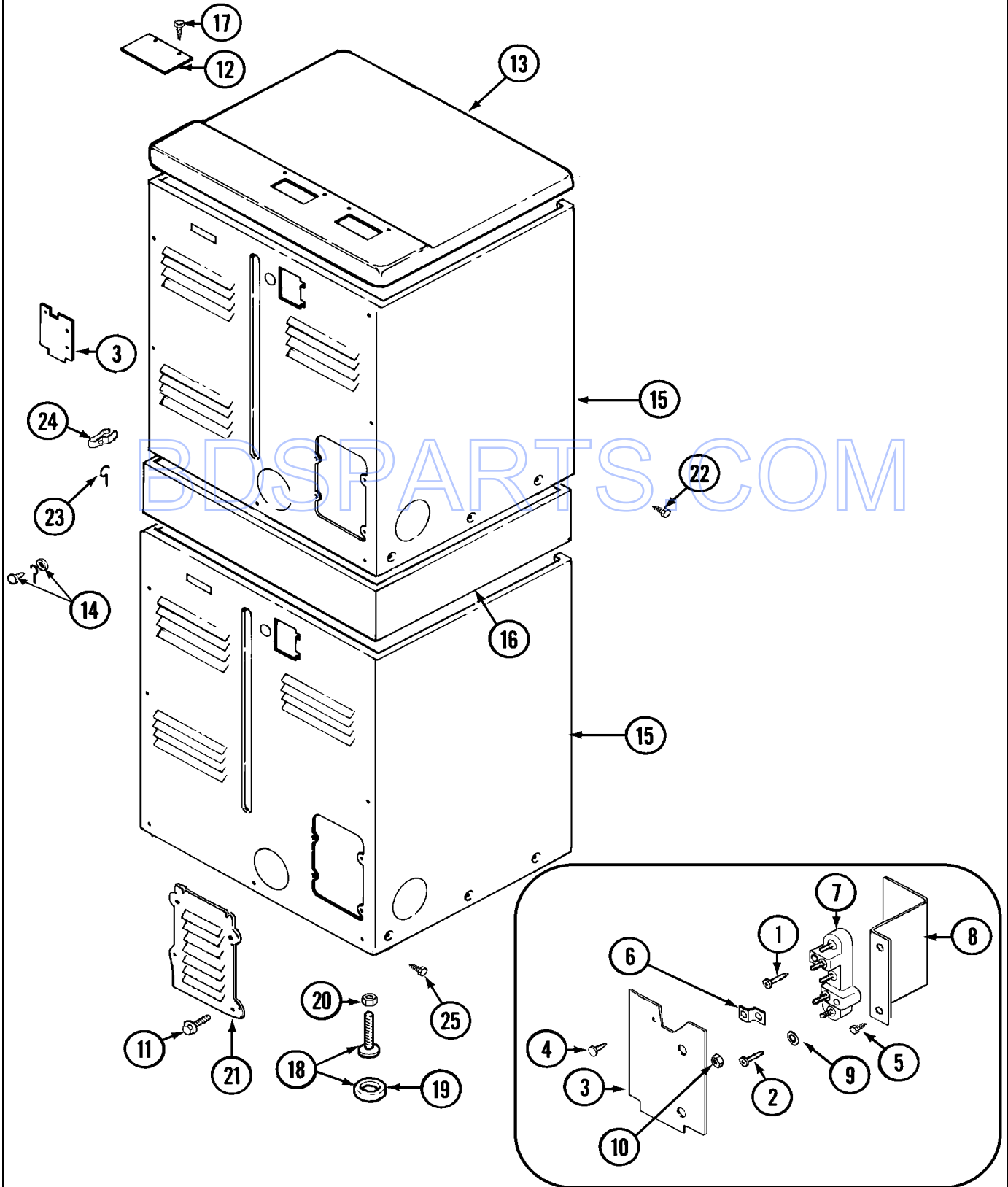
Section: DOOR

No.	Part No.	Description	Series	Qty
1	314062	SCREW Note: SCREW	10	28
2	33001230	HINGE, DOOR	10	4
3	33001240	DOOR (WHT)	10	2
4	33001241	HANDLE, DOOR (WHT)	10	2
5	33001131	SEAL, DOOR	10	2
6	33001305	STRIKE, DOOR (W/BRACKET)	10	2
7	304578	CATCH, DOOR (FEMALE)	10	2
8	212982	FASTENER, PANEL Note: FASTENER, SPRING	10	4
9	310376	CLIP, WIRE HARNESS	10	6
10	33001509	SWITCH, DOOR	10	2
11	314937	SEAL, FRONT PANEL	10	2
-	N 33001172	SCREW, PLASTIC Note: FASTENER, CLIP	10	8
12	N 33001173	NUT, SPEED Note: CLIP, HINGE SCREW	10	8
-	33001486	PANEL, FASTENER	10	8
13	N 33001724	PANEL, FRONT (WHT-LWR) Note: (LWR-WHT)	10	1
13	N 33001610	PANEL, FRONT (WHT)----NA Note: PANEL, FRONT (UPR-WHT)	10	1
14	N 33001174	PLUG, DOOR CATCH	10	2
15	33001175	COVER, HINGE HOLE (WHT)	10	4
16	313910	CLIP, DOOR LINER TO OUTER PNL Note: CLIP, INNER DOOR SCREW	10	18
17	22001496	SCREW, TORX Note: SCREW, FRONT PANEL	10	2
18	33001243	DOOR, INNER (W/SEAL) Note: PANEL, INNER DOOR (W/SEAL)	10	2
19	33001132	PLUG, SIGHT HOLE (WHT)	10	4

*Color Code (-)=Not Shown #=Series, Serial Prefix or Run No., N=Not Available

Section: REAR

Model: MDE13MNACW



CD18-6

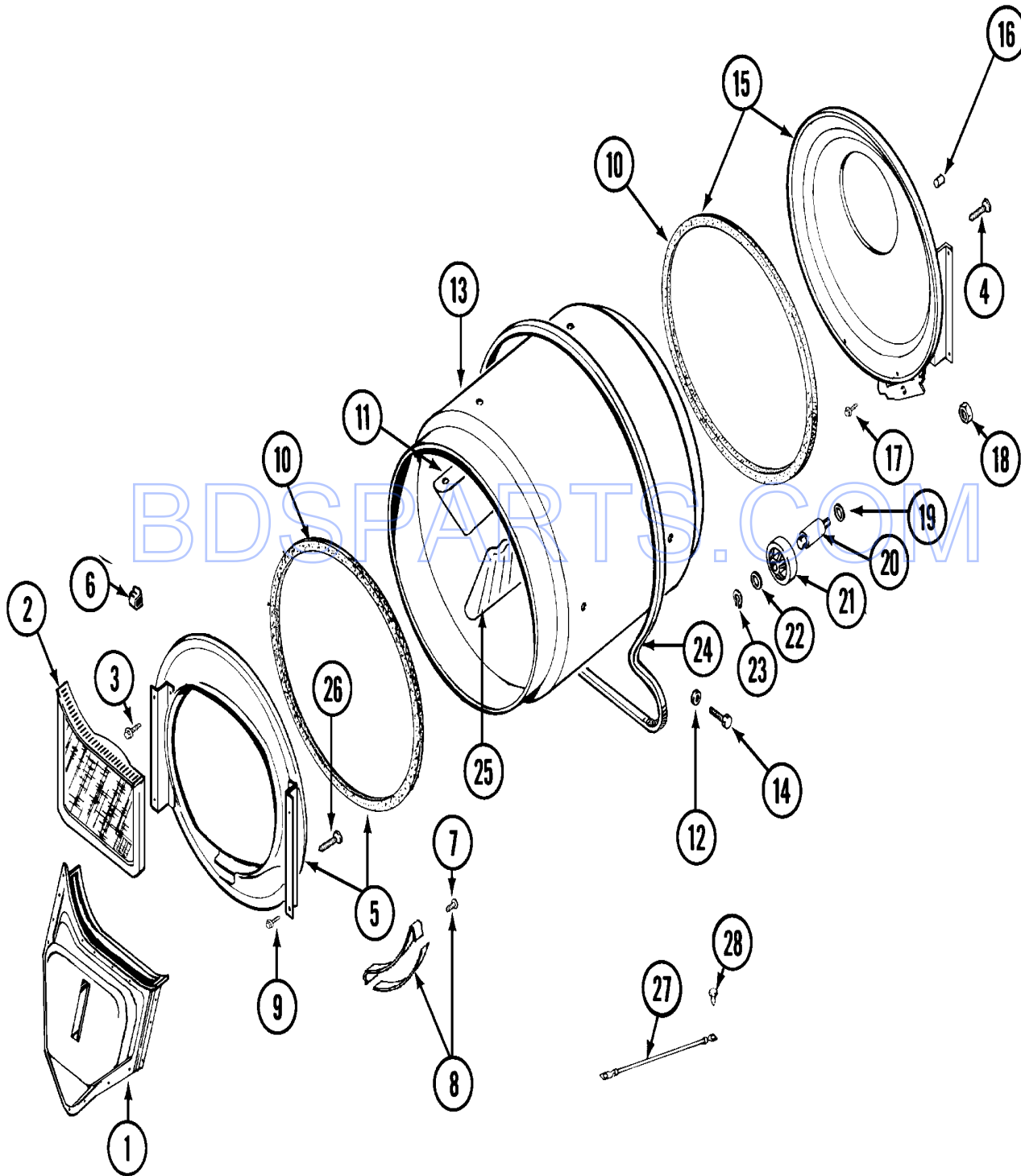
Section: REAR

No.	Part No.	Description	Series	Qty
1	N 33001245	SCREW----NA Note: SCREW, GROUND STRAP	10	2
2	310632	SCREW Note: SCREW, TERMINAL BLOCK	10	2
3	312905	COVER, TERMINAL Note: COVER, TERMINAL	10	2
4	N 313561	SCREW----NA Note: SCREW, TERMINAL COVER	10	8
5	312209	SCREW, #10-24 X 3/4 INCH Note: SCREW, TERMINAL BRACKET	10	4
6	312184	STRAP, GROUND	10	2
7	33001244	BLOCK, TERMINAL	10	2
8	312904	BRACKET, TERMINAL BLOCK Note: BRACKET, TERMINAL	10	2
9	311093	WASHER, 7/32 INCH Note: WASHER, BRASS	10	4
9	311270	WASHER, TERMINAL BLOCK Note: WASHER, TERMINAL BLOCK	10	3
10	311484	NUT, TERMINAL BLOCK	10	9
11	216423	SCREW Note: SCREW, ACCESS COVER	10	8
12	N 314943	COVER PLATE Note: PLATE, TOP COVER	10	2
13	N 33001608	COVER, TOP (WHT)	10	1
14	303846	SCREW & WASHER ASSY. Note: SCREW & WASHER ASSEMBLY	10	1
-	310632	SCREW Note: SCREW, CABINET	10	4
15	N 33001329	CABINET (WHT) Note: (WHT)	10	1
15	N 33001327	CABINET (WHT)	10	1
16	N 33001233	SUPPORT (WHT) Note: SUPPORT ASSEMBLY (WHT)	10	1
17	313559	SCREW Note: SCREW, TOP COVER PLATE	10	2
18	302699	LEG, ADJUSTABLE (W/NUT) Note: LEG, ADJUSTABLE (W/NUT)	10	4
19	210684	FOOT, RUBBER	10	4
20	210385	NUT, LOCK	10	4
21	312951	COVER, ACCESS	10	2
22	310632	SCREW Note: SCREW, SUPPORT	10	5
22	N 911052	SCREW Note: SCREW, SUPPORT	10	1
23	311155	GROUND WIRE Note: GROUND WIRE	10	1
-	313122	SCREW - BAFFLE TO TUMBLER Note: SCREW, CLAMP	10	1
24	301548	CLAMP, GROUND (W/SCREW) Note: CLAMP, GROUND (W/SCREW)	10	1
25	213007	SCREW, CABINET Note: SCREW, CABINET SIDE	10	12

*Color Code (-)=Not Shown #=Series, Serial Prefix or Run No., N=Not Available

Section: TUMBLER

Model: MDE13MNACW



LD13-4

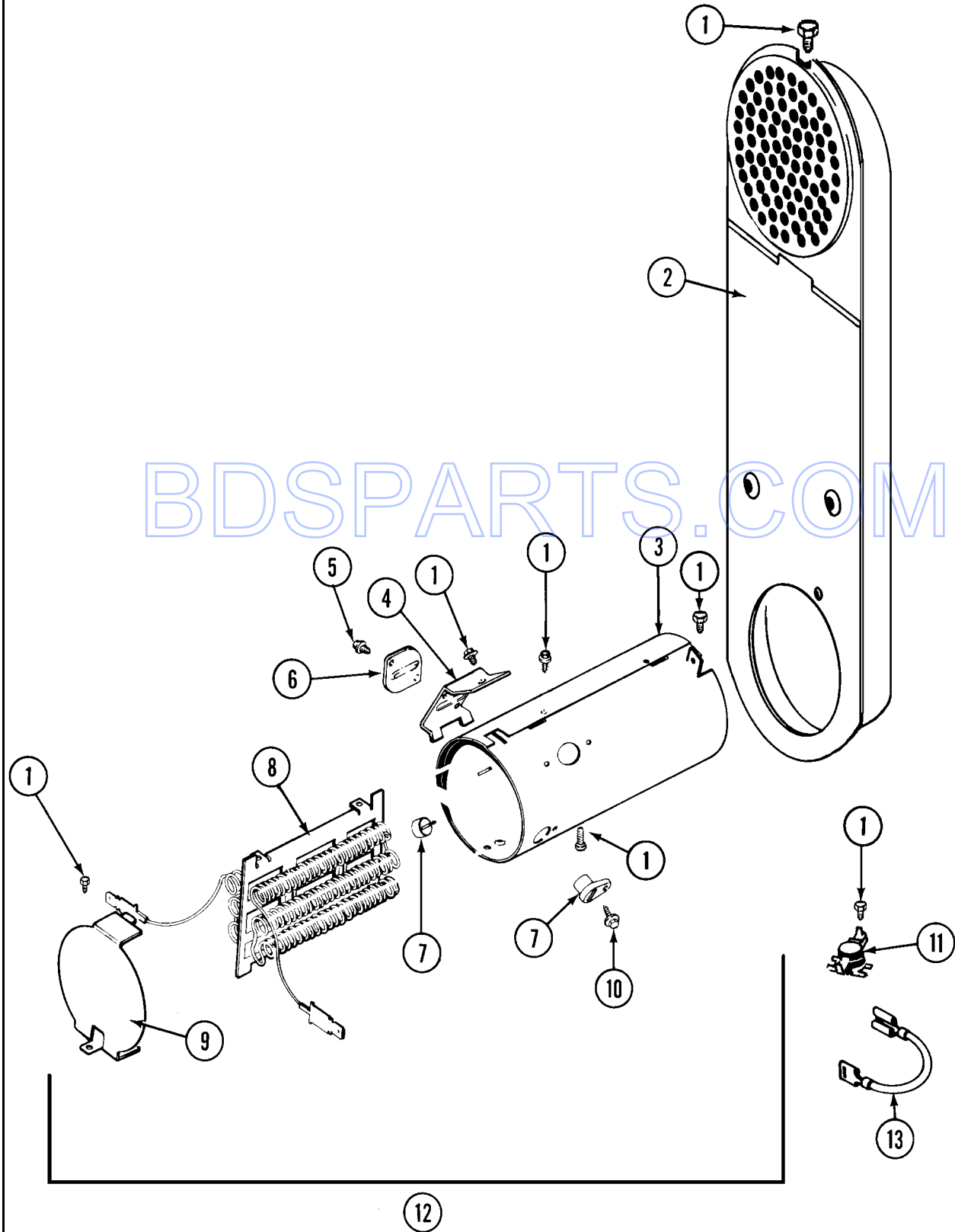
Section: TUMBLER

No.	Part No.	Description	Series	Qty
1	33001016	DUCT ASSY., OUTLET Note: OUTLET DUCT ASSEMBLY	10	2
2	33001170	FILTER, LINT	10	2
3	N 313764	SCREW Note: SCREW, TUMBLER SUPPORT	10	8
4	N 313561	SCREW----NA Note: SCREW, TUMBLER FRONT & BACK	10	4
5	33001179	FRONT, TUMBLER (W/SEAL) Note: FRONT, TUMBLER (W/SEAL)	10	2
6	310376	CLIP, WIRE HARNESS	10	2
7	210720	RIVET	10	8
8	306508	TUMBLER BEARING KIT Note: TUMBLER BEARING KIT	10	4
9	310632	SCREW Note: SCREW, TUMBLER FRONT	10	6
10	314820	SEAL, TUMBLER	10	4
11	33001012	BAFFLE (SHORT)	10	2
12	314158	WASHER Note: WASHER, BAFFLE SCREW	10	12
13	33001108	DRYER TUMBLER, W/O BAFFLES Note: TUMBLER	10	2
14	310759	SCREW Note: SCREW, TUMBLER BAFFLE	10	12
15	33001178	BACK, TUMBLER (W/SEAL)	10	2
16	N 313915	COVER, THREAD	10	8
17	310632	SCREW Note: SCREW, TUMBLER BACK	10	6
18	312538	NUT, ROLLER SHAFT Note: NUT, ROLLER SHAFT	10	4
19	313347	WASHER, SPRING (ROLLER SHAFT) Note: WASHER, SPRING	10	4
20	312948	SHAFT, TUMBLER ROLLER Note: SHAFT, TUMBLER ROLLER	10	4
21	303373	BEARING & ROLLER ASSEMBLY Note: ROLLER (W/BEARING)	10	4
22	312535	WASHER, ROLLER SHAFT Note: WASHER, ROLLER SHAFT	10	4
23	410233	RING, RETAINING	10	4
24	312959	BELT, TUMBLER & MOTOR Note: BELT, TUMBLER	10	2
25	33001004	BAFFLE, TALL Note: BAFFLE (TALL)	10	4
26	314110	SCREW, INLET DUCT Note: SCREW, OUTLET DUCT	10	8
27	901220	WIRE, GROUND Note: WIRE, GROUND	10	2
28	910343	SCREW, GROUND WIRE	10	2

*Color Code (-)=Not Shown #=Series, Serial Prefix or Run No., N=Not Available

Section: HEATER

Model: MDE13MNACW



LD15-3

Section: HEATER

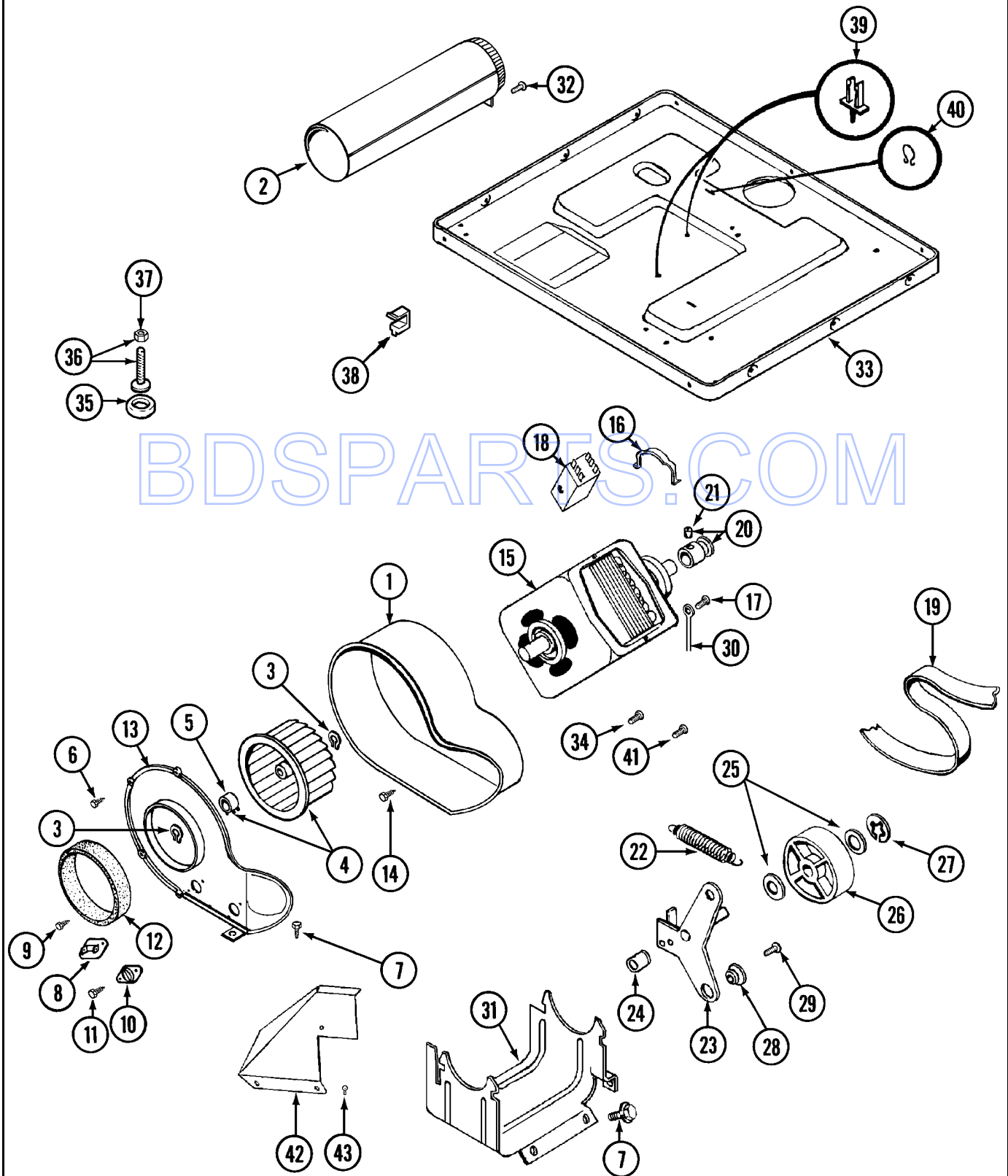
No.	Part No.	Description	Series	Qty
1	211294	SCREW Note: SCREW, THERMOSTAT & ENCLOSURE	10	24
2	308503	INLET DUCT ASSY. Note: INLET DUCT ASSEMBLY	10	2
3	314995	HEATER ENCLOSURE	10	2
4	315346	BRACKET, THERMAL FUSE	10	2
5	314848	SCREW Note: SCREW, THERMAL FUSE	10	4
6	307473	FUSE, THERMAL	10	2
7	314998	INSULATOR, TERMINAL	10	4
-	307187	HEATER SUB-ASSEMBLY (208V) Note: HEATER SUB-ASSEMBLY (208V) (W/1, 3, 7 & 10)	10	2
8	308614	HEATER SUB-ASSEMBLY Note: HEATER SUB-ASSEMBLY (240V) (W/1, 3, 7 & 10)	10	2
9	314999	SHIELD, RADIANT	10	2
10 N	314554	SCREW Note: SCREW, TERMINAL INSULATOR	10	4
11	303396	THERMOSTAT, HI-LIMIT (ELEC)	10	2
12	307179	HEATER ASSEMBLY(COMPLETE 240V) Note: HEATER ASSEMBLY (COMPLETE)	10	2
13	307173	WIRE, JUMPER Note: JUMPER WIRE	10	2
-	308590	CONVERSION KIT (240V TO 208V)	10	2

BDSPARTS.COM

*Color Code (-)=Not Shown #=Series, Serial Prefix or Run No., N=Not Available

Section: MOTOR DRIVE

Model: MDE13MNACW



BDSPARES.COM

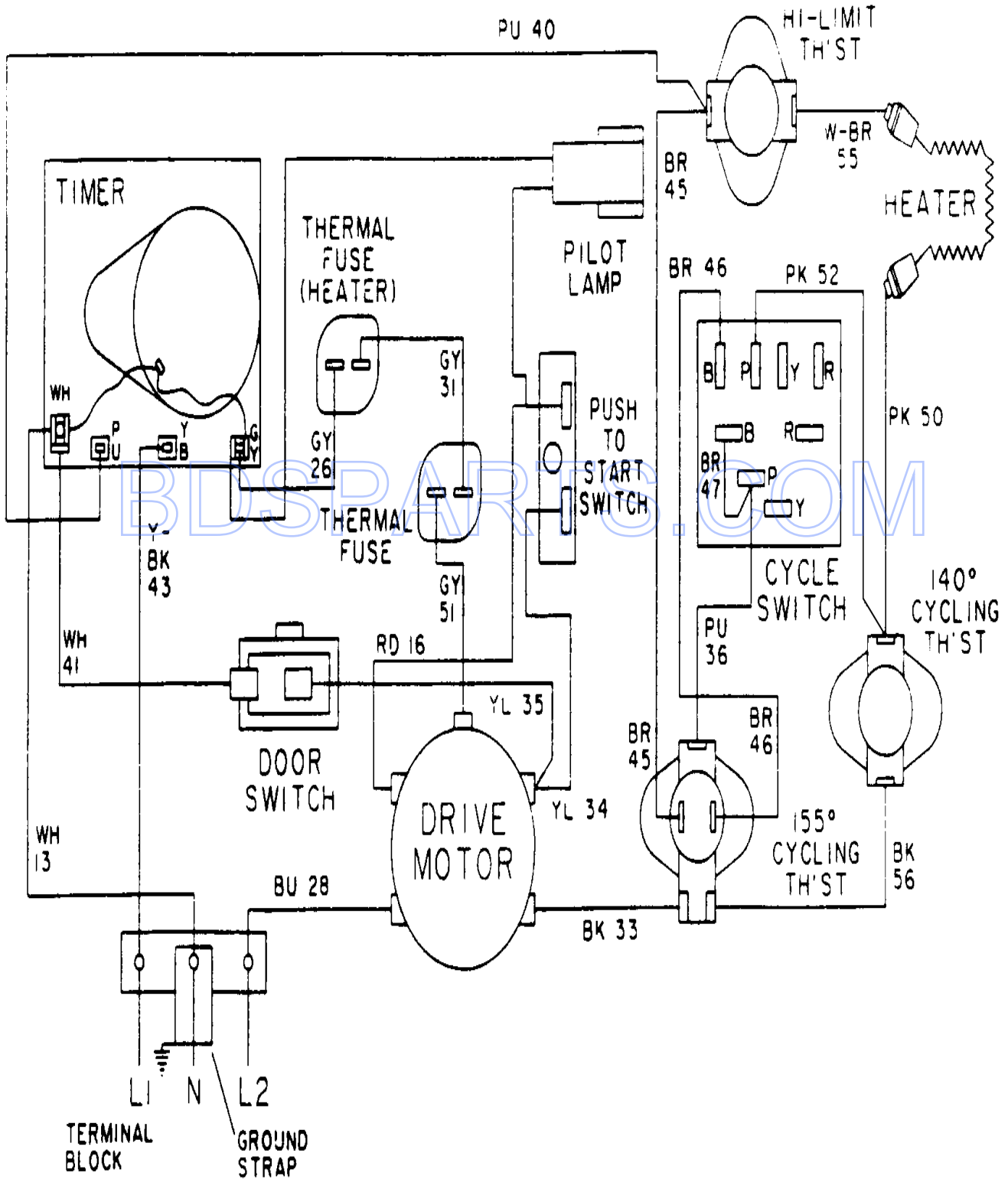
Section: MOTOR DRIVE

No.	Part No.	Description	Series	Qty
1	312893	HOUSING, BLOWER	10	2
2	303442	EXHAUST DUCT ASSY. Note: EXHAUST DUCT ASSEMBLY	10	2
3	410233	RING, RETAINING	10	4
4	303836	BLOWER WHEEL ASSEMBLY & CLAMP Note: IMPELLER, BLOWER (W/CLAMP)	10	2
5	312967	CLAMP, BLOWER HOUSING Note: CLAMP, BLOWER WHEEL	10	2
6	312961	SCREW Note: SCREW, HOUSING COVER	10	12
7	N 313561	SCREW----NA Note: SCREW, HOUSING COVER	10	6
-	33001306	HARNES, WIRE Note: WIRE HARNES, THERMOSTAT	10	2
8	306967	THERMOSTAT, MULTI-TEMP Note: THERMOSTAT, CYCLING (155 DEG)	10	2
8	303392	CYCLING THERMOSTAT 140 DEG. Note: THERMOSTAT, CYCLING (140 DEG)	10	2
9	211294	SCREW Note: SCREW, THERMOSTAT	10	5
10	306604	CUT-OFF, THERMAL	10	2
11	314848	SCREW Note: SCREW, THERMAL CUT-OFF	10	4
12	312901	SEAL, BLOWER Note: SEAL, HOUSING COVER	10	2
13	314778	COVER FOR BLOWER Note: COVER, BLOWER HOUSING	10	2
14	314818	SCREW Note: SCREW, BLOWER HOUSING	10	8
15	303358	MOTOR	10	2
16	015825	CLIP, MOTOR	10	4
17	910343	SCREW, GROUND WIRE	10	2
18	303879	SWITCH, MOTOR STARTPROD. Note: SWITCH, MOTOR EXTERNAL START (PROD. # 303358 & 303358-6)	10	2
18	N 306207	SWITCH, MOTOR START-PROD. Note: SWITCH, MOTOR EXTERNAL START (PROD. # 303358-8 & 303358-9)	10	2
18	303877	SWITCH, MOTOR Note: SWITCH, MOTOR EXTERNAL START (PROD. # 303358-2, 303358-4 303358-7)	10	2
19	312959	BELT, TUMBLER & MOTOR Note: BELT, TUMBLER	10	2
20	305185	PULLEY, MOTOR (W/SET SCREW)	10	2
21	053241	SET SCREW, PULLEY Note: SCREW, SET	10	2
22	303945	IDLER SPRING ASSEMBLY Note: IDLER SPRING ASSEMBLY	10	2
23	303363	IDLER ARM & SHAFT ASSY. Note: IDLER ARM & SHAFT ASSEMBLY	10	2
24	313582	SPACER, IDLER BRACKET	10	2
25	312527	WASHER, IDLER SHAFT (QTY-1) Note: WASHER, IDLER SHAFT	10	4
26	303705	PULLEY, IDLER Note: PULLEY, IDLER (W/BEARING)	10	2
27	312958	RETAINING RING, IDLER SHAFT	10	2
28	N 312894	SLEEVE, IDLER ARM Note: SLEEVE, IDLER ARM	10	2
29	014874	SCREW Note: SCREW, IDLER ARM & SLEEVE	10	2
30	901220	WIRE, GROUND Note: WIRE, GROUND	10	2
31	N 312897	SUPPORT, MOTOR	10	2
32	310632	SCREW Note: SCREW, EXHAUST DUCT	10	2
33	307482	BASE ASSY Note: (UPR)	10	1
33	306530	BASE WELD ASSEMBLY Note: BASE ASSEMBLY (LWR)	10	1
34	211294	SCREW Note: SCREW, GROUND WIRE	10	2
35	210684	FOOT, RUBBER	10	4
36	302699	LEG, ADJUSTABLE (W/NUT)	10	4
37	210385	NUT, LOCK	10	4
38	310376	CLIP, WIRE HARNES	10	6
39	315471	RETAINER, WIRE Note: RETAINER, WIRE HARNES	10	5
40	410490	SPRING, WIRE HARNES	10	5
41	312961	SCREW Note: SCREW, SPACER	10	2
42	315122	COVER, THERMOSTAT Note: COVER, THERMOSTAT	10	2
43	310632	SCREW Note: SCREW, THERMOSTAT COVER	10	4

*Color Code (-)=Not Shown #=Series, Serial Prefix or Run No., N=Not Available

Section: WIRING INFORMATION

Model: MDE13MNACW



15001143

