

DRYER

Repair Parts List

MODEL NUMBER

MDE13PDACW

DDSPARTS.COM

When requesting service or ordering parts, always provide the following information:

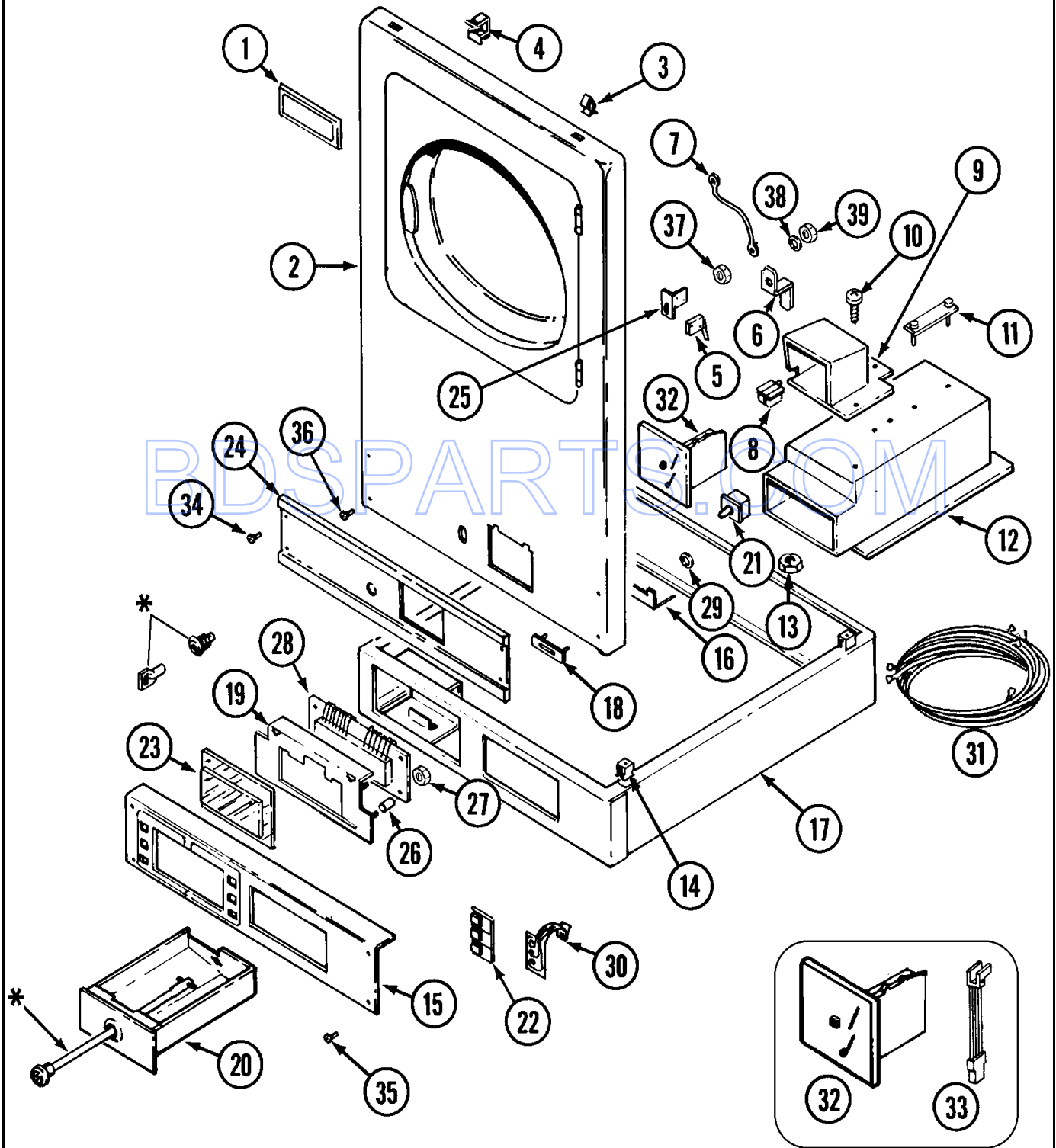
- Product Type
- Part Number
- Model Number
- Part Description

MAYTAG®

©2005 Maytag Services

Section: CONTROLS & UPPER PANEL

Model: MDE13PDACW



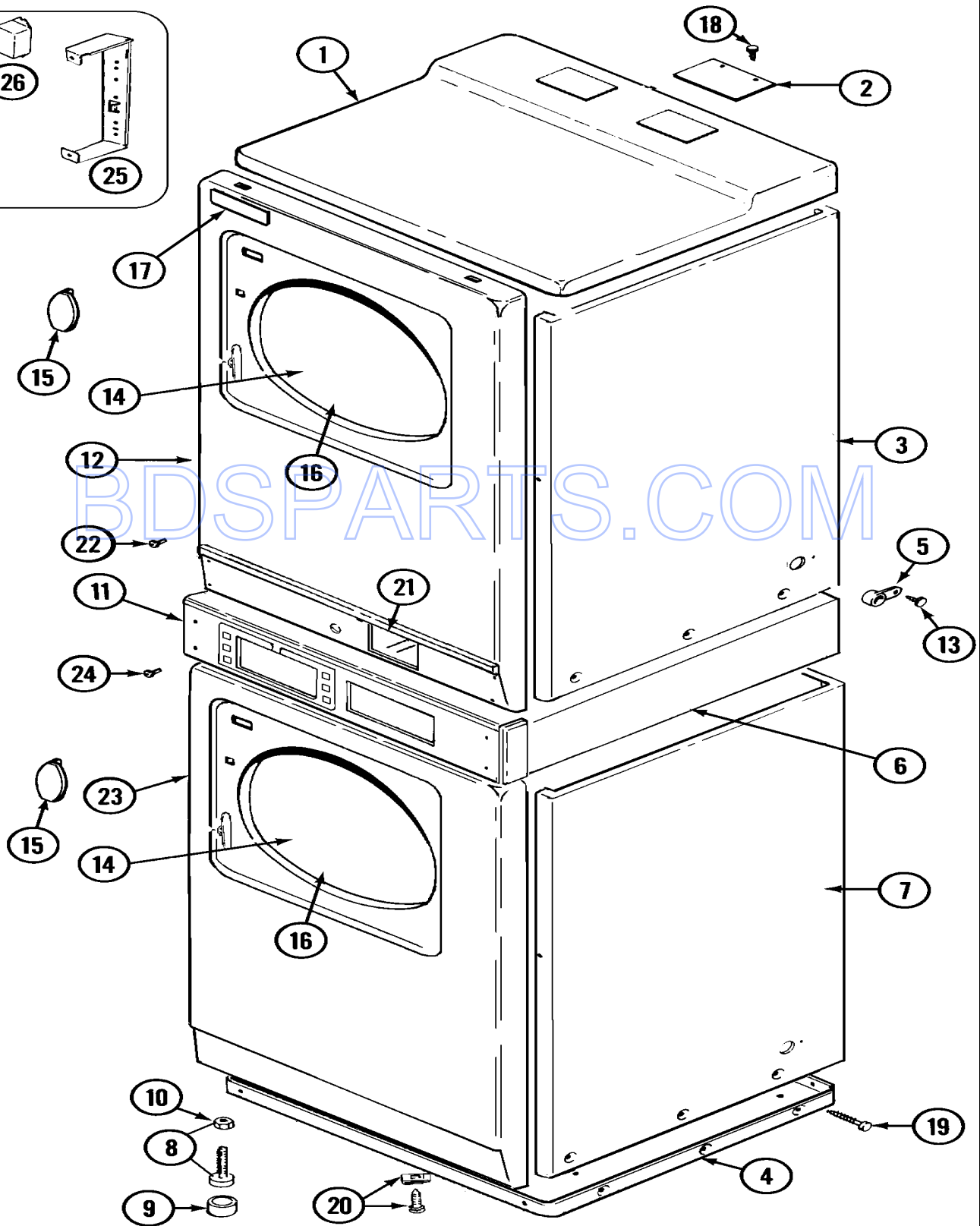
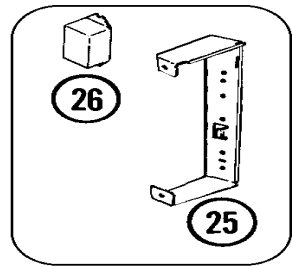
Section: CONTROLS & UPPER PANEL

No.	Part No.	Description	Series	Qty
1	33001711	NAMEPLATE	10	1
-	33001486	PANEL, FASTENER	10	4
2	33001447	PANEL, UPPER FRONT (WHT) Note: (UPR-WHT)	10	1
3	212982	FASTENER, PANEL Note: SPRING, FASTENER	10	2
4	310376	CLIP, WIRE HARNESS Note: CLIP, FASTENER	10	2
5	306232	ACCESS SWITCH Note: SWITCH, ACCESS	10	1
-	912012	SCREW Note: SCREW, SWITCH	10	2
6	314625	LOCKING CAM Note: CAM, LOCKING	10	1
7	306712	GROUND WIRE Note: GROUND WIRE, LOCK	10	1
8	314635	COIN CHUTE Note: CHUTE, COIN	10	1
9	N 306367	COIN DROP ASSEMBLY----NA Note: COVER, COIN DROP	10	1
10	314654	CARRIAGE BOLT Note: BOLT, COIN DROP COVER	10	2
11	22001810	STRAP, MOUNTING	10	1
-	N 212672	WASHER Note: LOCKWASHER, MOUNTING STRAP	10	2
-	910387	LOCK WASHER Note: LOCKWASHER, VAULT ASSEMBLY	10	1
12	N 308141	VAULT ASSY WHT Note: VAULT ASSEMBLY (WHT)	10	1
-	N 212672	WASHER Note: WASHER, COVER BOLT	10	2
13	052740	NUT Note: NUT, MOUNTING STRAP COVER	10	4
14	310933	FASTENER Note: CLIP, SUPPORT ASSEMBLY	10	4
15	N 33001712	EXTRUSION, CONTROL (LWR) Note: CONTROL, EXTRUSION (LWR)	10	1
16	314631	BRACKET Note: BRACKET, COIN DROP	10	1
-	N 313561	SCREW----NA Note: SCREW, BRACKET	10	1
-	310632	SCREW Note: SCREW, BRACKET	10	1
17	N 33001233	SUPPORT (WHT) Note: SUPPORT ASSEMBLY (WHT)	10	1
18	306233	COIN ACCEPTOR STRAP Note: STRAP, COIN ACCEPTOR	10	1
19	33001201	PLATE, CONTROL MOUNTING Note: PLATE, CONTROL MOUNTING	10	1
-	910186	SCREW Note: SCREW, PLATE	10	3
20	308143	COIN TRAY - WHT Note: TRAY, COIN (WHT)	10	1
21	33001250	SWITCH, SENSOR Note: SWITCH, VAULT & SERVICE DOOR	10	1
22	33001156	BUTTON Note: BUTTON, PUSH	10	2
23	33001209	COVER, DISPLAY (LOWER) Note: COVER, DISPLAY	10	1
24	N 33001713	EXTRUSION, CONTROL (UPR) Note: CONTROL, EXTRUSION (UPR)	10	1
25	314634	ACCESS SWITCH BRACKET Note: BRACKET, ACCESS SWITCH	10	1
26	33001204	STANDOFF, CIRCUIT BOARD Note: STAND-OFF, CONTROL BOARD	10	4
27	912077	LOCKNUT Note: NUT, CONTROL BOARD	10	4
28	33001290	CONTROL BOARD ASSEMBLY Note: BOARD, CONTROL	10	1
29	052659	HEX. NUT, #8-32 Note: NUT, COIN DROP	10	2
30	33001200	SWITCH, MEMBRANE	10	2
31	N 33001573	HARNESS, WIRE (LWR) Note: (LWR)	10	1
31	N 33001572	HARNESS, WIRE (UPR) Note: WIRE HARNESS, MAIN (UPR)	10	1
-	314522	STRAIN RELIEF Note: GROMMET, STRAIN RELIEF	10	1
-	910768	CABLE STRAP-HARNESS TO BASE Note: STRAP, HARNESS	10	1
32	308121	REJECTOR ASSY 25CENTS Note: REJECTOR ASSEMBLY (25 CENTS)	10	1
-	315427	SCREW Note: SCREW, SWITCH ASSEMBLY	10	1
33	33001025	SWITCH ASSY., OPTIC Note: OPTIC SWITCH ASSEMBLY	10	1
34	315489	SCREW, TORX (LONG) Note: SCREW, FRONT PANEL	10	3
34	215506	SCREW, TORX Note: SCREW, SWITCH ASSEMBLY	10	2
35	215506	SCREW, TORX Note: SCREW, EXTRUSION (LWR)	10	4
-	N 314653	RETAINER FOR FRONT PANEL Note: CLIP, CABINET SCREW	10	2
36	314666	SCREW Note: SCREW, PANEL (UPR)	10	2
37	212328	NUT, HEX Note: NUT, LOCK	10	1
38	22001354	WASHER, LOCK Note: WASHER, LOCK	10	1
39	22001355	NUT Note: NUT, LOCK	10	1

*Color Code (-)=Not Shown #=Series, Serial Prefix or Run No., N=Not Available

Section: FRONT

Model: MDE13PDACW



CD13-4

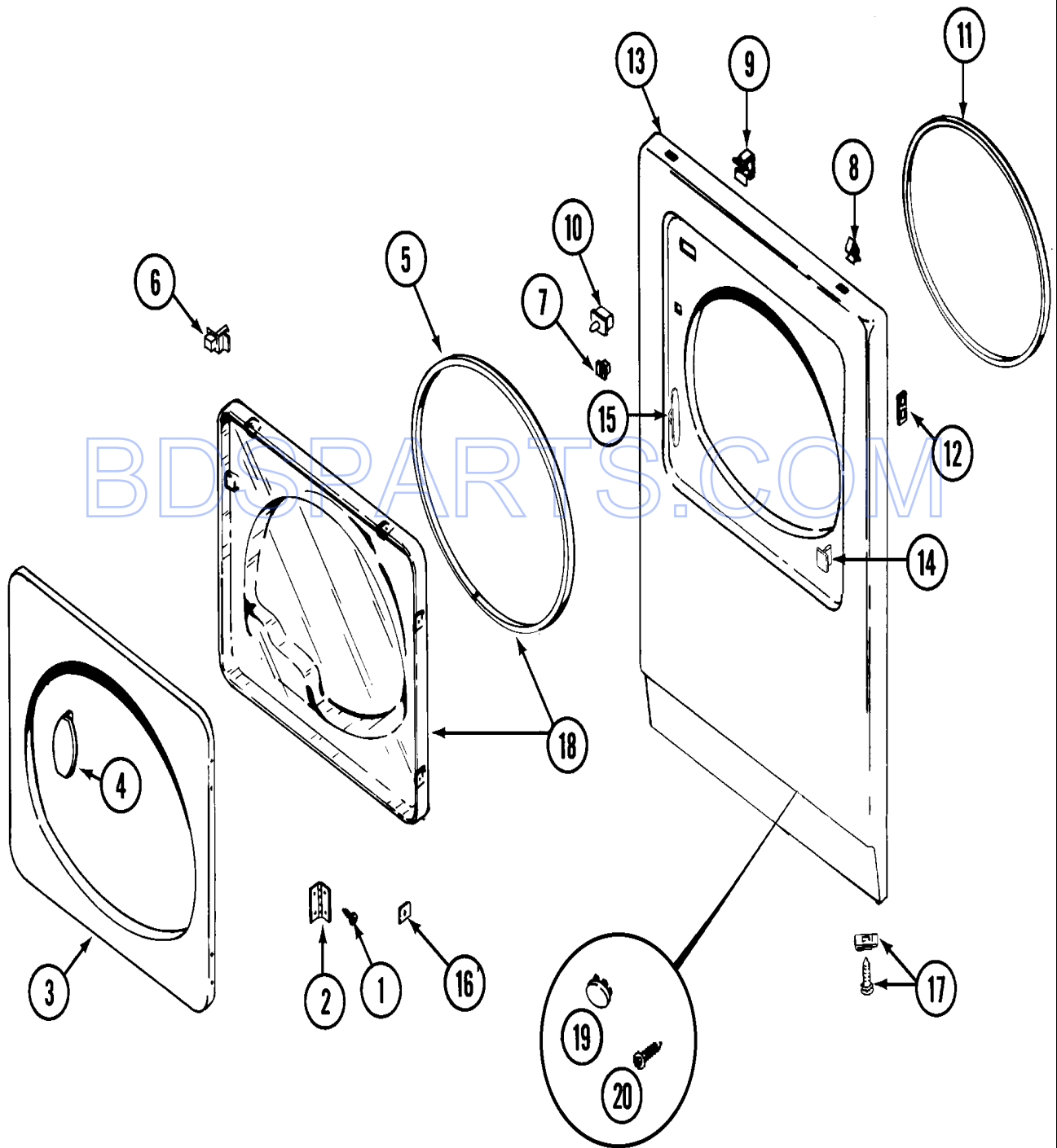
Section: FRONT

No.	Part No.	Description	Series	Qty
1	N 33001608	COVER, TOP (WHT)	10	1
2	N 314943	COVER PLATE Note: PLATE, COVER	10	2
3	N 33001329	CABINET (WHT) Note: CABINET (UPR-WHT)	10	1
4	306530	BASE WELD ASSEMBLY Note: (LWR)	10	1
4	306261	BASE ASSEMBLY Note: BASE ASSEMBLY (UPR)	10	1
5	910768	CABLE STRAP-HARNESS TO BASE Note: STOP, CABLE	10	2
-	310933	FASTENER	10	4
-	314663	SCREW	10	2
-	310632	SCREW	10	5
-	911050	SCREW	10	1
6	N 33001233	SUPPORT (WHT) Note: SUPPORT ASSEMBLY (WHT)	10	1
7	N 33001327	CABINET (WHT) Note: CABINET (LWR-WHT)	10	1
8	302699	LEG, ADJUSTABLE (W/NUT)	10	4
9	210684	FOOT, RUBBER	10	4
10	210385	NUT, LOCK	10	4
11	N 33001712	EXTRUSION, CONTROL (LWR)	10	1
-	33001486	PANEL, FASTENER	10	4
12	33001447	PANEL, UPPER FRONT (WHT) Note: (UPR-WHT)	10	1
-	314666	SCREW Note: SCREW, PANEL (UPR)	10	2
-	N 314653	RETAINER FOR FRONT PANEL Note: CLIP, CABINET SCREW	10	2
13	211168	SCREW, #8 X 5/16 INCH Note: SCREW, CABLE STOP	10	2
14	33001203	PANEL, INNER (W/SEAL) Note: PANEL, CLEAR INNER (W/SEAL)	10	2
15	314939	HANDLE Note: HANDLE, DOOR (WHT)	10	2
16	314967	DOOR W/WIN CUT OUT OUTER WHT Note: PANEL, OUTER DOOR (WHT)	10	1
17	33001711	NAMEPLATE	10	1
18	313559	SCREW Note: SCREW, COVER PLATE	10	2
19	213007	SCREW, CABINET Note: SCREW, CABINET SIDES	10	12
20	22001496	SCREW, TORX Note: SCREW, FRONT PANEL	10	4
21	N 33001713	EXTRUSION, CONTROL (UPR)	10	1
22	215506	SCREW, TORX Note: SCREW, EXTRUSION	10	2
22	315489	SCREW, TORX (LONG) Note: SCREW, EXTRUSION & FRONT	10	3
-	33001614	PLUG, FRONT PANEL (WHT)	10	1
23	N 33001714	PANEL, FRONT (LWR-WHT)	10	1
-	33001486	PANEL, FASTENER	10	4
24	215506	SCREW, TORX Note: SCREW, EXTRUSION	10	4
25	314627	RELAY BRACKET Note: BRACKET, RELAY	10	1
-	310632	SCREW Note: SCREW, BRACKET	10	2
-	251119	SCREW Note: SCREW, RELAYS	10	2
26	306398	RELAY - SPST HEATER Note: RELAY, HEATER	10	2
26	206824	RELAY, SPST 24VDC Note: RELAY, MOTOR (24V DC)	10	2

*Color Code (-)=Not Shown #=Series, Serial Prefix or Run No., N=Not Available

Section: DOOR

Model: MDE13PDACW



CD12-3

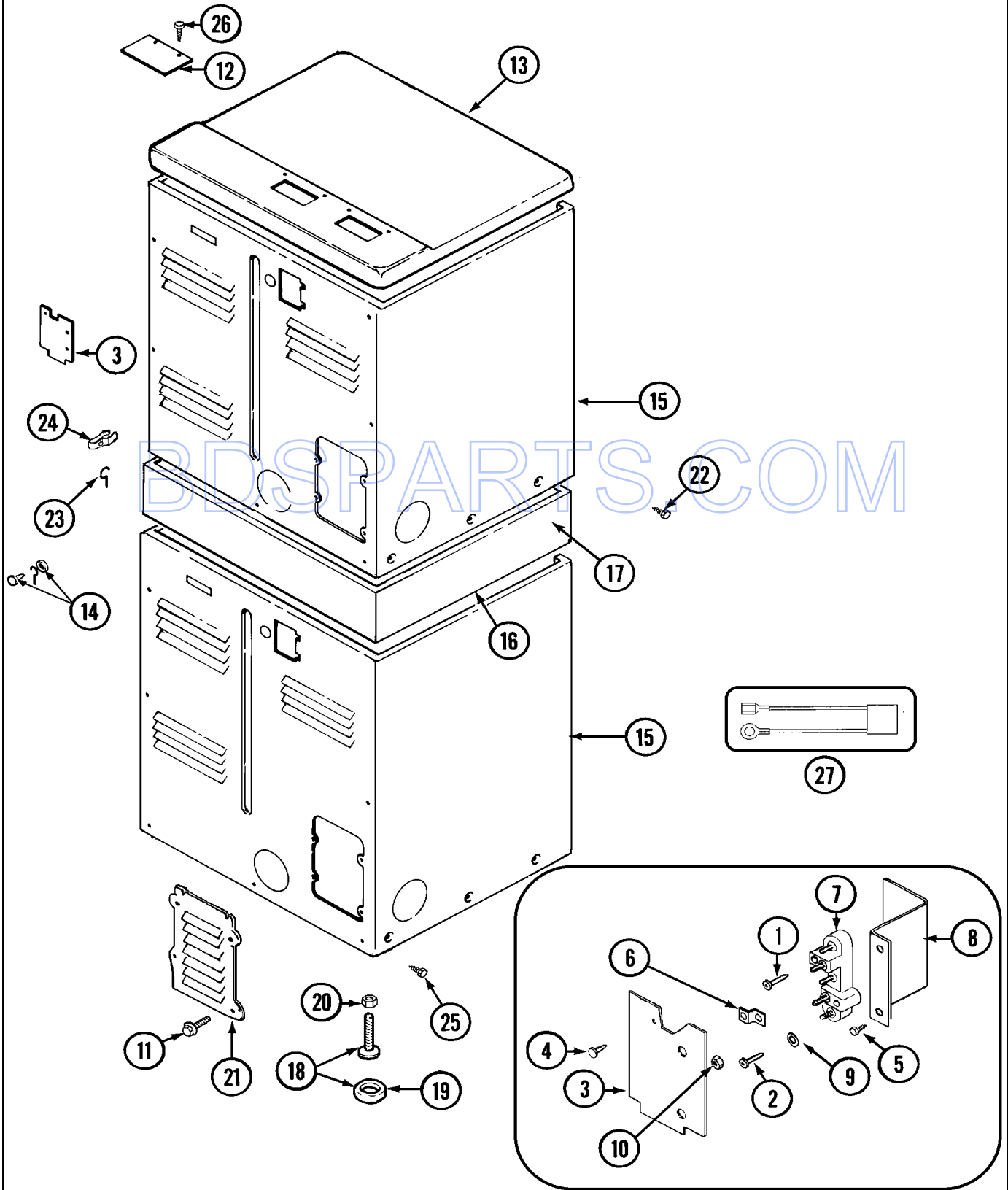
Section: DOOR

No.	Part No.	Description	Series	Qty
1	314062	SCREW Note: SCREW	10	28
2	33001230	HINGE, DOOR	10	4
3	314967	DOOR W/WIN CUT OUT OUTER WHT Note: PANEL, OUTER DOOR (WHT)	10	1
4	314939	HANDLE Note: HANDLE, DOOR (WHT)	10	1
5	33001192	SEAL, DOOR	10	2
6	33001305	STRIKE, DOOR (W/BRACKET)	10	2
7	304578	CATCH, DOOR (FEMALE)	10	2
8	212982	FASTENER, PANEL Note: FASTENER, SPRING	10	4
9	310376	CLIP, WIRE HARNESS Note: CLIP, CABLE	10	6
10	33001420	SWITCH, DOOR	10	2
11	314937	SEAL, FRONT PANEL	10	2
12	N 33001173	NUT, SPEED Note: CLIP, HINGE SCREW	10	4
-	N 33001172	SCREW, PLASTIC Note: FASTENER, FRONT PANEL	10	4
-	33001486	PANEL, FASTENER	10	8
13	N 33001714	PANEL, FRONT (LWR-WHT)	10	1
13	33001447	PANEL, UPPER FRONT (WHT) Note: (UPR-WHT)	10	1
14	N 33001174	PLUG, DOOR CATCH	10	1
15	33001175	COVER, HINGE HOLE (WHT)	10	2
16	313910	CLIP, DOOR LINER TO OUTER PNL Note: CLIP, INNER DOOR SCREW	10	18
17	22001496	SCREW, TORX Note: SCREW, FRONT PANEL	10	2
18	33001203	PANEL, INNER (W/SEAL) Note: PANEL, CLEAR INNER (W/SEAL)	10	2
19	33001614	PLUG, FRONT PANEL (WHT)	10	1
20	315489	SCREW, TORX (LONG) Note: SCREW, SIGHT HOLE	10	1

*Color Code (-)=Not Shown #=Series, Serial Prefix or Run No., N=Not Available

Section: REAR

Model: MDE13PDACW



CD18-11

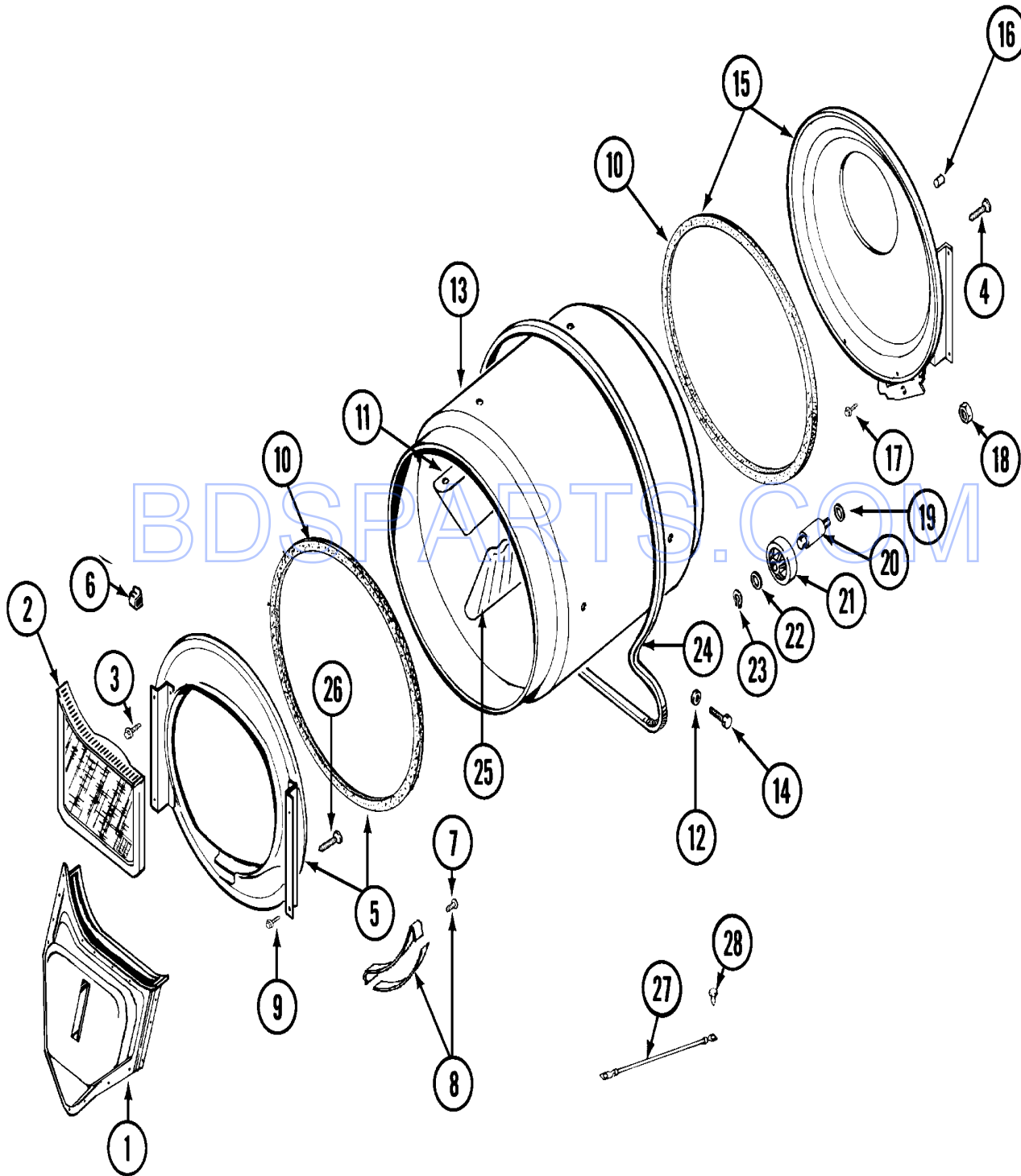
Section: REAR

No.	Part No.	Description	Series	Qty
1	N 33001245	SCREW----NA Note: SCREW, GROUND STRAP	10	2
2	310632	SCREW Note: SCREW, TERMINAL BLOCK	10	2
3	312905	COVER, TERMINAL	10	2
4	N 313561	SCREW----NA Note: SCREW, TERMINAL COVER	10	8
5	312209	SCREW, #10-24 X 3/4 INCH Note: SCREW, TERMINAL BRACKET	10	4
6	312184	STRAP, GROUND Note: STRAP, GROUNDING	10	2
7	33001244	BLOCK, TERMINAL	10	1
8	312904	BRACKET, TERMINAL BLOCK Note: BRACKET, TERMINAL	10	2
9	311093	WASHER, 7/32 INCH Note: WASHER, BRASS	10	2
9	311270	WASHER, TERMINAL BLOCK Note: WASHER, TERMINAL BLOCK	10	6
10	311484	NUT, TERMINAL BLOCK	10	6
11	216423	SCREW Note: SCREW, ACCESS COVER	10	8
12	N 314943	COVER PLATE Note: PLATE, TOP COVER	10	2
13	N 33001608	COVER, TOP (WHT)	10	1
14	303846	SCREW & WASHER ASSY. Note: SCREW & WASHER ASSEMBLY	10	1
15	N 33001329	CABINET (WHT) Note: CABINET (UPR-WHT)	10	1
15	N 33001327	CABINET (WHT) Note: CABINET (LWR-WHT)	10	1
-	310632	SCREW Note: SCREW, CABINET	10	4
16	N 33001233	SUPPORT (WHT) Note: SUPPORT ASSEMBLY (WHT)	10	1
17	310933	FASTENER Note: FASTENER, SPACER ASSEMBLY	10	2
18	302699	LEG, ADJUSTABLE (W/NUT)	10	4
19	210684	FOOT, RUBBER	10	4
20	210385	NUT, LOCK Note: NUT, ADJUSTABLE LEG	10	4
21	312951	COVER, ACCESS	10	2
22	310632	SCREW Note: SCREW, SUPPORT	10	5
22	N 911052	SCREW Note: SCREW, SUPPORT	10	1
23	311155	GROUND WIRE Note: GROUND WIRE	10	1
-	313122	SCREW - BAFFLE TO TUMBLER Note: SCREW, CLAMP	10	1
24	301548	CLAMP, GROUND (W/SCREW) Note: CLAMP, GROUND (W/SCREW)	10	1
25	213007	SCREW, CABINET Note: SCREW, CABINET SIDES	10	12
26	313559	SCREW Note: SCREW, TOP COVER PLATE	10	2
27	12001279	KIT, SURGE SUPPRESSOR Note: SURGE SUPPRESSOR KIT	10	2

*Color Code (-)=Not Shown #=Series, Serial Prefix or Run No., N=Not Available

Section: TUMBLER

Model: MDE13PDACW



Section: TUMBLER

No.	Part No.	Description	Series	Qty
1	33001016	DUCT ASSY., OUTLET Note: OUTLET DUCT ASSEMBLY	10	1
2	33001170	FILTER, LINT	10	2
3	N 313764	SCREW Note: SCREW, TUMBLER SUPPORT	10	8
4	N 313561	SCREW----NA Note: SCREW, TUMBLER FRONT & BACK	10	4
5	33001179	FRONT, TUMBLER (W/SEAL) Note: FRONT, TUMBLER (W/SEAL)	10	2
6	310376	CLIP, WIRE HARNESS Note: CLIP, CABLE	10	2
7	210720	RIVET	10	8
8	306508	TUMBLER BEARING KIT Note: TUMBLER BEARING KIT	10	4
9	310632	SCREW Note: SCREW, TUMBLER FRONT	10	6
10	314820	SEAL, TUMBLER	10	4
11	33001012	BAFFLE (SHORT)	10	2
12	314158	WASHER Note: WASHER, BAFFLE SCREW	10	12
13	33001108	DRYER TUMBLER, W/O BAFFLES	10	2
14	310759	SCREW Note: SCREW, TUMBLER BAFFLE	10	12
15	33001178	BACK, TUMBLER (W/SEAL)	10	2
16	N 313915	COVER, THREAD	10	8
17	310632	SCREW Note: SCREW, TUMBLER BACK	10	6
18	312538	NUT, ROLLER SHAFT	10	4
19	313347	WASHER, SPRING (ROLLER SHAFT) Note: WASHER, SPRING	10	4
20	312948	SHAFT, TUMBLER ROLLER	10	4
21	303373	BEARING & ROLLER ASSEMBLY Note: ROLLER (W/BEARING)	10	4
22	312535	WASHER, ROLLER SHAFT	10	4
23	410233	RING, RETAINING Note: RING, RETAINING	10	4
24	312959	BELT, TUMBLER & MOTOR Note: BELT, TUMBLER	10	2
25	33001004	BAFFLE, TALL Note: BAFFLE (TALL)	10	4
26	314110	SCREW, INLET DUCT Note: SCREW, OUTLET DUCT	10	8
27	901220	WIRE, GROUND Note: GROUND WIRE	10	2
28	910343	SCREW, GROUND WIRE	10	2

*Color Code (-)=Not Shown #=Series, Serial Prefix or Run No., N=Not Available

Section: HEATER

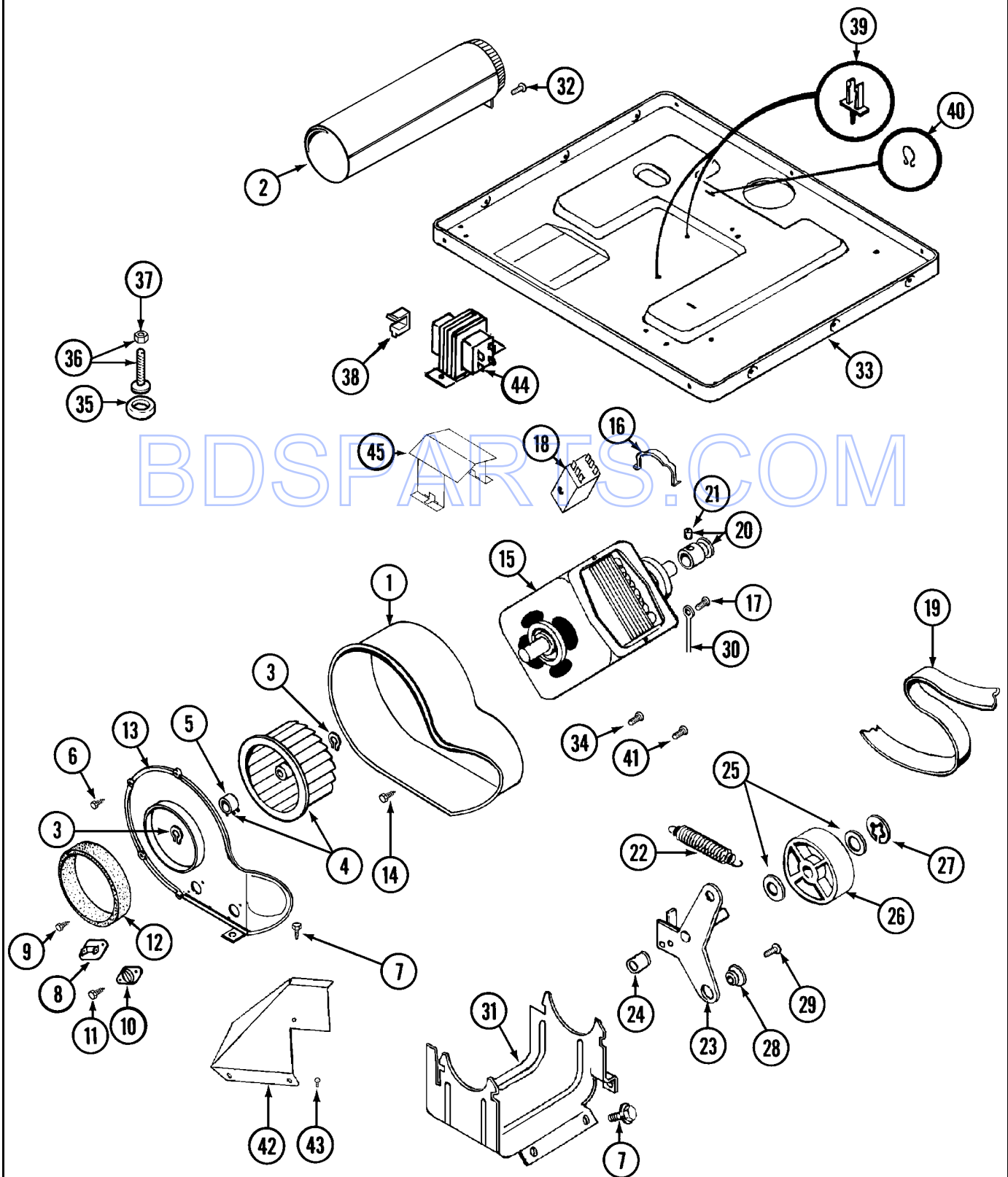
No.	Part No.	Description	Series	Qty
1	211294	SCREW Note: SCREW, DUCT	10	24
2	308503	INLET DUCT ASSY. Note: INLET DUCT ASSEMBLY	10	2
3	314995	HEATER ENCLOSURE Note: ENCLOSURE, HEATER	10	2
4	314998	INSULATOR, TERMINAL	10	4
5	308614	HEATER SUB-ASSEMBLY Note: HEATER SUB-ASSEMBLY (240V) (W/ 1, 3, 4, & 7)	10	2
6	314999	SHIELD, RADIANT	10	2
7	N 314554	SCREW Note: SCREW, TERMINAL INSULATOR	10	4
8	303396	THERMOSTAT, HI-LIMIT (ELEC)	10	2
9	307179	HEATER ASSEMBLY(COMPLETE 240V) Note: HEATER ASSEMBLY (240V)	10	2
10	307173	WIRE, JUMPER	10	2
11	307473	FUSE, THERMAL	10	2
12	314848	SCREW	10	2
13	315346	BRACKET, THERMAL FUSE	10	2
-	308590	CONVERSION KIT (240V TO 208V) Note: CONVERSION KIT (240V TO 208V)	10	2

BDSPARTS.COM

*Color Code (-)=Not Shown #=Series, Serial Prefix or Run No., N=Not Available

Section: MOTOR DRIVE

Model: MDE13PDACW



BDS PARTS.COM

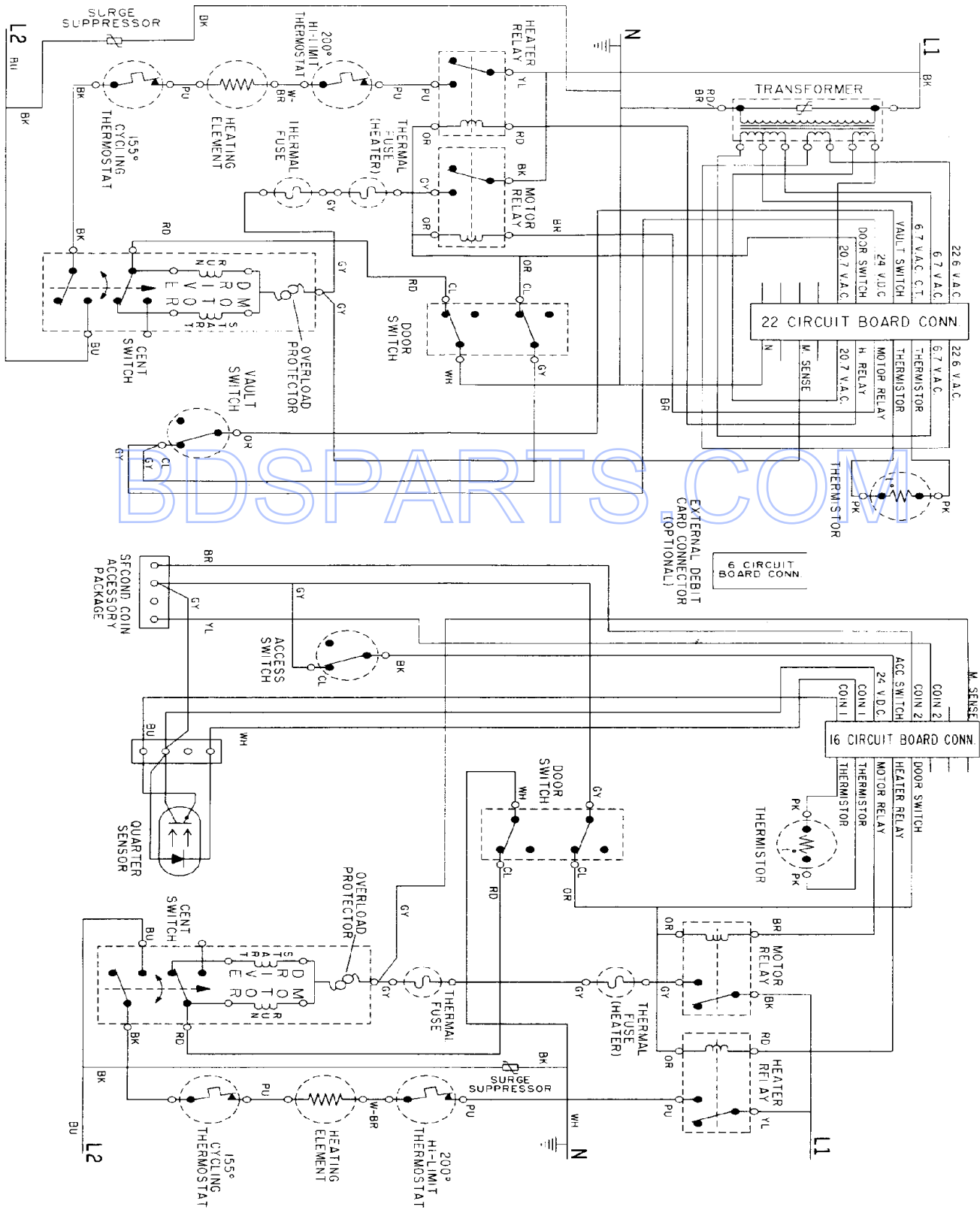
Section: MOTOR DRIVE

No.	Part No.	Description	Series	Qty
1	312893	HOUSING, BLOWER	10	2
2	303442	EXHAUST DUCT ASSY. Note: EXHAUST DUCT ASSEMBLY	10	2
3	410233	RING, RETAINING	10	4
4	303836	BLOWER WHEEL ASSEMBLY & CLAMP Note: BLOWER WHEEL ASSEMBLY	10	2
5	312967	CLAMP, BLOWER HOUSING Note: CLAMP, BLOWER WHEEL	10	2
6	312961	SCREW Note: SCREW, HOUSING COVER	10	12
7	N 313561	SCREW----NA Note: SCREW, HOUSING COVER	10	6
8	303391	CYCLING THERMOSTAT 155 DEG. Note: THERMOSTAT, CYCLING (155 DEG)	10	2
8	307208	THERMISTOR, TEMP. CONTROL	10	2
9	211294	SCREW Note: SCREW, THERMOSTATS	10	5
10	306604	CUT-OFF, THERMAL Note: CUT-OFF, THERMAL	10	2
11	314848	SCREW Note: SCREW, THERMAL CUT-OFF	10	4
12	312901	SEAL, BLOWER Note: SEAL, HOUSING COVER	10	2
13	314778	COVER FOR BLOWER Note: COVER, BLOWER HOUSING	10	2
14	314818	SCREW Note: SCREW, BLOWER HOUSING	10	8
15	303358	MOTOR	10	2
16	015825	CLIP, MOTOR	10	4
17	910343	SCREW, GROUND WIRE	10	2
18	N 306207	SWITCH, MOTOR START-PROD. Note: SWITCH, MOTOR EXTERNAL START (PROD. # 303358-8 & 303358-9)	10	2
18	303879	SWITCH, MOTOR STARTPROD. Note: SWITCH, MOTOR EXTERNAL START (PROD. # 303358 & 303358-6)	10	2
18	303877	SWITCH, MOTOR Note: SWITCH, MOTOR EXTERNAL START (PROD. # 303358-2, 303358-4 & 303358-7)	10	2
19	312959	BELT, TUMBLER & MOTOR Note: BELT, TUMBLER	10	2
20	305185	PULLEY, MOTOR (W/SET SCREW)	10	2
21	053241	SET SCREW, PULLEY Note: SCREW, SET	10	2
22	303945	IDLER SPRING ASSEMBLY Note: IDLER SPRING ASSEMBLY	10	2
23	303363	IDLER ARM & SHAFT ASSY. Note: IDLER ARM & SHAFT ASSEMBLY	10	2
24	313582	SPACER, IDLER BRACKET	10	2
25	312527	WASHER, IDLER SHAFT (QTY-1)	10	4
26	303705	PULLEY, IDLER Note: PULLEY, IDLER (W/BEARING)	10	2
27	312958	RETAINING RING, IDLER SHAFT Note: RING, RETAINING	10	2
28	N 312894	SLEEVE, IDLER ARM	10	2
29	014874	SCREW Note: SCREW, IDLER ARM	10	2
30	901220	WIRE, GROUND Note: GROUND WIRE	10	2
31	N 312897	SUPPORT, MOTOR	10	2
32	310632	SCREW Note: SCREW, EXHAUST DUCT	10	2
33	306261	BASE ASSEMBLY Note: BASE ASSEMBLY (UPR)	10	1
33	306530	BASE WELD ASSEMBLY Note: (LWR)	10	1
34	211294	SCREW Note: SCREW, GROUND WIRE	10	2
35	210684	FOOT, RUBBER	10	4
36	302699	LEG, ADJUSTABLE (W/NUT)	10	4
37	210385	NUT, LOCK Note: NUT, ADJUSTABLE LEG	10	4
38	310376	CLIP, WIRE HARNESS Note: CLIP, CABLE	10	6
39	315471	RETAINER, WIRE Note: RETAINER, WIRE HARNESS	10	6
40	410490	SPRING, WIRE HARNESS	10	5
41	312961	SCREW Note: SCREW, SPACER	10	2
42	315122	COVER, THERMOSTAT	10	2
43	310632	SCREW Note: SCREW, THERMOSTAT COVER	10	4
44	33001205	TRANSFORMER	10	1
45	315218	SHIELD, XFMR Note: SHIELD, TRANSFORMER	10	1
-	211294	SCREW Note: SCREW, TRANSFORMER	10	1

*Color Code (-)=Not Shown #=Series, Serial Prefix or Run No., N=Not Available

Section: WIRING INFORMATION

Model: MDE13PDACW



15001799

