

DRYER

Repair Parts List

MODEL NUMBER

MDE21PRAYW

DDSPARTS.COM

When requesting service or ordering parts, always provide the following information:

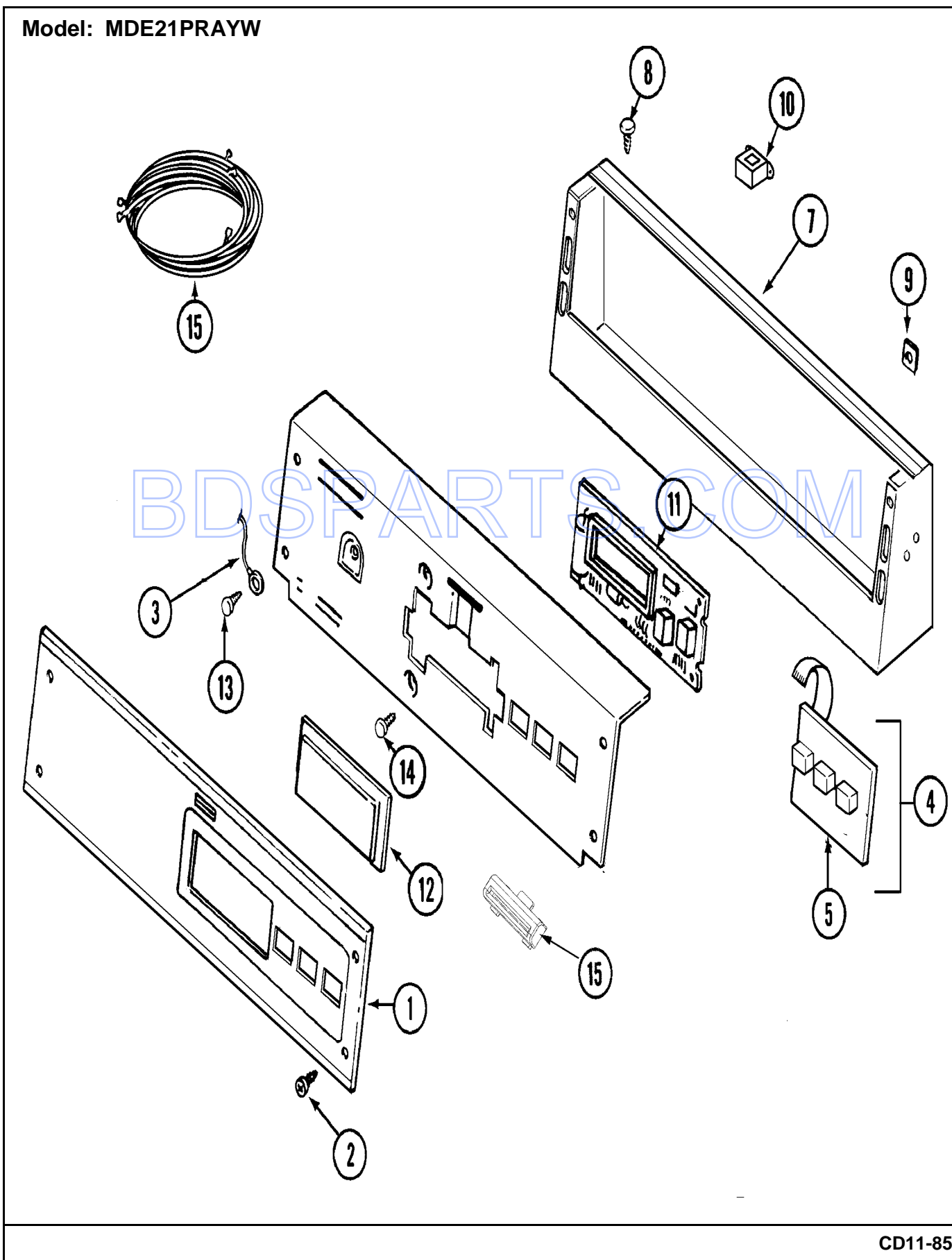
- Product Type
- Part Number
- Model Number
- Part Description

MAYTAG®

©2005 Maytag Services

Section: CONTROL PANEL

Model: MDE21PRAYW



CD11-85

Section: CONTROL PANEL

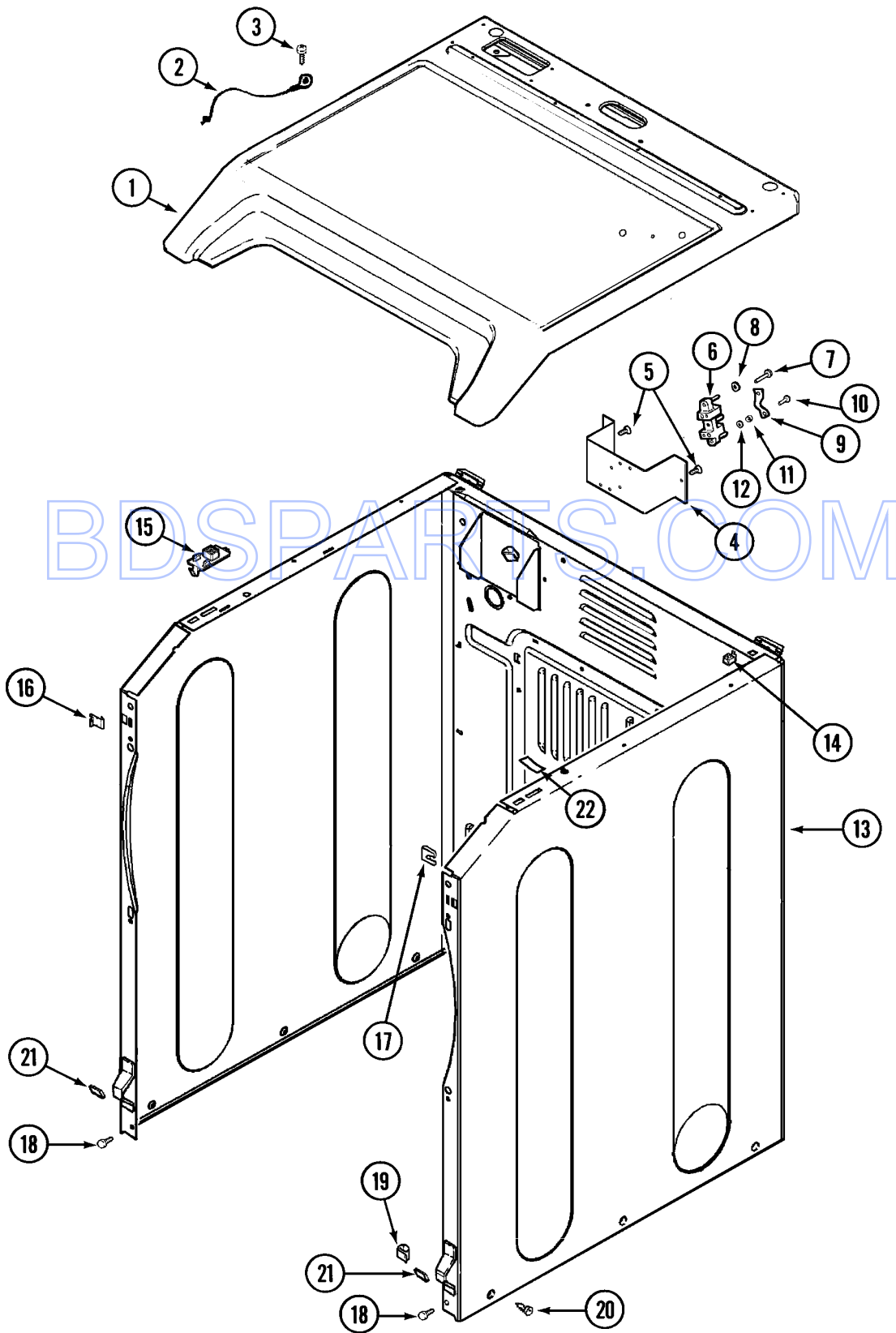
No.	Part No.	Description	Series	Qty
1	33002669	CONTROL PANEL	10	1
2	215506	SCREW, TORX Note: SCREW, CONTROL PANEL	10	4
3	22001959	WIRE, GROUND	10	1
4	306694	BACKUP PLATE WITH SWITCH Note: CONTROL SWITCH ASSEMBLY	10	1
-	215527	SCREW Note: SCREW, SWITCH	10	2
5	215517	PUSHBUTTON Note: PUSHBUTTON, CONTROL SWITCH	10	1
-	22001511	DEFLECTOR, WATER (W/ADHESIVE)	10	1
6	33001956	BRACKET, BACK (WHT)	10	1
8	22001996	SCREW Note: SCREW, CONSOLE	10	5
9	215003	FASTENER Note: CLIP, SCREW	10	2
-	211251	SCREW Note: SCREW, TRANSFORMER	10	2
10	22001960	TRANSFORMER	10	1
-	22001419	NUT (ELASTIC) Note: NUT, ELASTIC	10	2
-	912077	LOCKNUT	10	6
-	33001204	STANDOFF, CIRCUIT BOARD	10	1
11	33001746	BOARD ASSY., CIRCUIT	10	1
12	22001962	COVER, DISPLAY	10	1
13	211252	SCREW Note: SCREW, GROUND WIRE	10	1
14	215526	SCREW Note: SCREW, CONTROL BOARD	10	2
15	22001976	BEZEL	10	1
-	33001856	READER HARNESS KIT (16")	10	1
-	22001973	HARNESS, PR SERVICE	10	1

BDS PARTS.COM

*Color Code (-)=Not Shown #=Series, Serial Prefix or Run No., N=Not Available

Section: CABINET-FRONT

Model: MDE21PRAYW



CD21-18

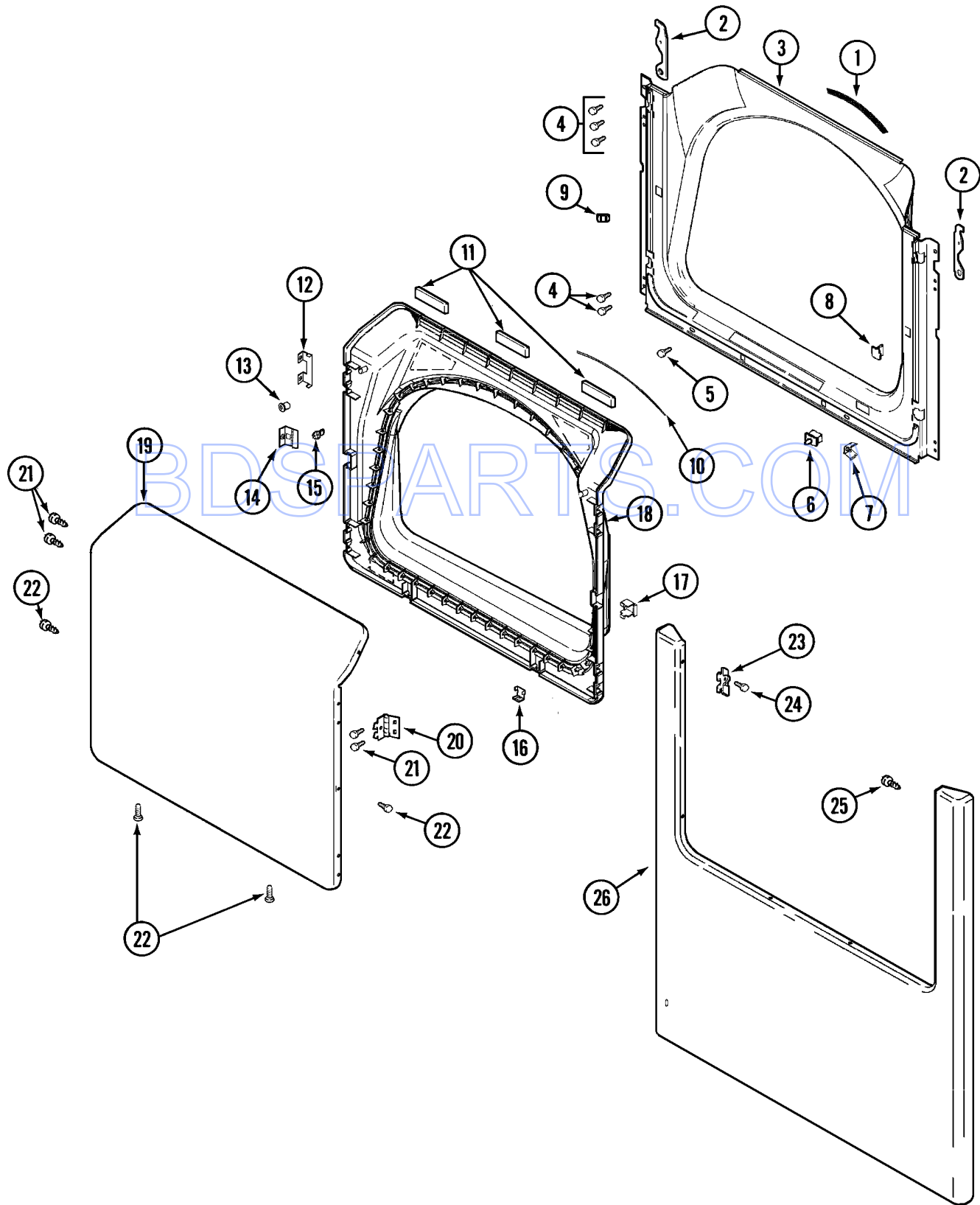
Section: CABINET-FRONT

No.	Part No.	Description	Series	Qty
1	33002627	COVER, TOP (WHT-AS PK)	10	1
2	22001959	WIRE, GROUND	10	1
3	210186	SCREW, GROUND WIRE TO BASE--NA Note: SCREW, GROUND WIRE	10	1
4	N 33001826	BRACKET, TERMINAL BLOCK----NA	10	1
5	22001995	SCREW Note: SCREW, TERMINAL BLOCK BRACKET	10	1
6	33001244	BLOCK, TERMINAL	10	1
7	Y312209	SCREW, #10-24 X 3/4 INCH Note: SCREW, TERMINAL BLOCK	10	1
8	Y311270	WASHER, TERMINAL BLOCK	10	1
9	Y312184	STRAP, GROUND	10	1
10	N 33001245	SCREW----NA Note: SCREW, GROUND STRAP	10	1
11	311484	NUT, TERMINAL BLOCK	10	1
12	311093	WASHER, 7/32 INCH Note: WASHER, TERMINAL BLOCK	10	1
13	N 22003582	CABINET, ASSY. (WHT-AS PK)	10	1
14	310933	FASTENER	10	2
15	33001872	PIN, LOCATOR	10	2
16	22002049	CLIP	10	2
17	213280	FRONT PANEL BRACKET/FASTENER Note: RETAINER, SHROUD	10	2
18	22001995	SCREW Note: SCREW, CABINET	10	2
19	310376	CLIP, WIRE HARNESS	10	1
20	213007	SCREW, CABINET	10	6
20	22003409	SCREW----NA Note: SCREW, CABINET (TRUSS)	10	6
21	213280	FRONT PANEL BRACKET/FASTENER Note: FASTENER, FRONT PANEL	10	2
21	22002239	CLIP, LOWER FRONT PANEL	10	2
22	33002073	CLIP, WIRE HARNESS	10	1
23	33001836	STRAP, TOP COVER SUPPORT	10	1

*Color Code (-)=Not Shown #=Series, Serial Prefix or Run No., N=Not Available

Section: DOOR

Model: MDE21PRAYW



CD12-6

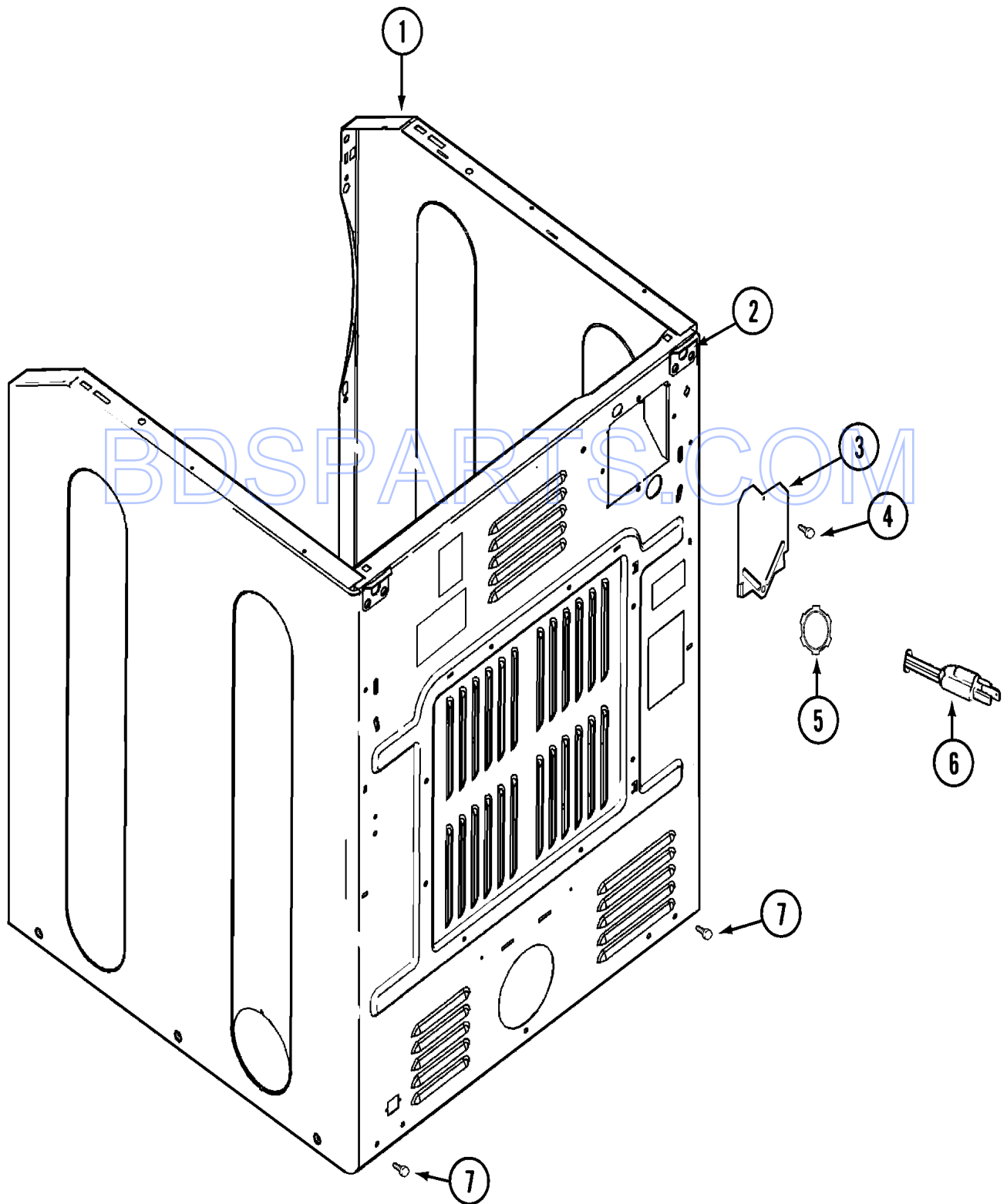
Section: DOOR

No.	Part No.	Description	Series	Qty
1	33001767	SEAL, SHROUD	10	1
2	22002247	HOOK, SECURITY	10	2
3	33001778	SHROUD (WHT)	10	1
4	22001995	SCREW Note: SCREW, TUMBLER FRONT & SHROUD	10	10
5	33001768	SCREW, SHROUD Note: SCREW, SHROUD & OUTLET DUCT	10	2
6	33001509	SWITCH, DOOR	10	1
7	33001760	BRACKET, HINGE	10	4
8	33001763	PLUG, INNER DOOR	10	1
9	Y304578	CATCH, DOOR (FEMALE)	10	1
10	33002094	SEAL, DOOR	10	1
11	22002038	CLIP, DOOR (DOUBLE)	10	4
12	33001771	BUSHING, INNER DOOR	10	2
13	33001793	BRACKET, STRIKE	10	1
14	33001761	STRIKE, DOOR (MALE)	10	1
15	22002039	CLIP, DOOR (SINGLE)	10	2
16	33001763	PLUG, INNER DOOR	10	1
-	22002039	CLIP, DOOR (SINGLE)	10	2
-	22002063	SCREW #8-18AB WAFER HD	10	2
17	33002544	DOOR, INNER W/SEAL (WHT)	10	1
18	22003785	DOOR, OUTER (WHT)	10	1
19	33001759	HINGE, DOOR	10	2
20	22002062	SCREW Note: SCREW, HINGE	10	4
21	22002063	SCREW #8-18AB WAFER HD	10	6
23	33001846	SCREW Note: SCREW, HINGE HOLE COVER	10	2
24	22002243	SCREW Note: SCREW, HINGE BRACKET	10	2
-	22002244	CLIP, GROUNDING	10	1
25	22002241	PANEL, FRONT (WHT)	10	1
-	22002239	CLIP, LOWER FRONT PANEL	10	2

*Color Code (-)=Not Shown #=Series, Serial Prefix or Run No., N=Not Available

Section: CABINET-REAR

Model: MDE21PRAYW



CD21-19

Section: CABINET-REAR

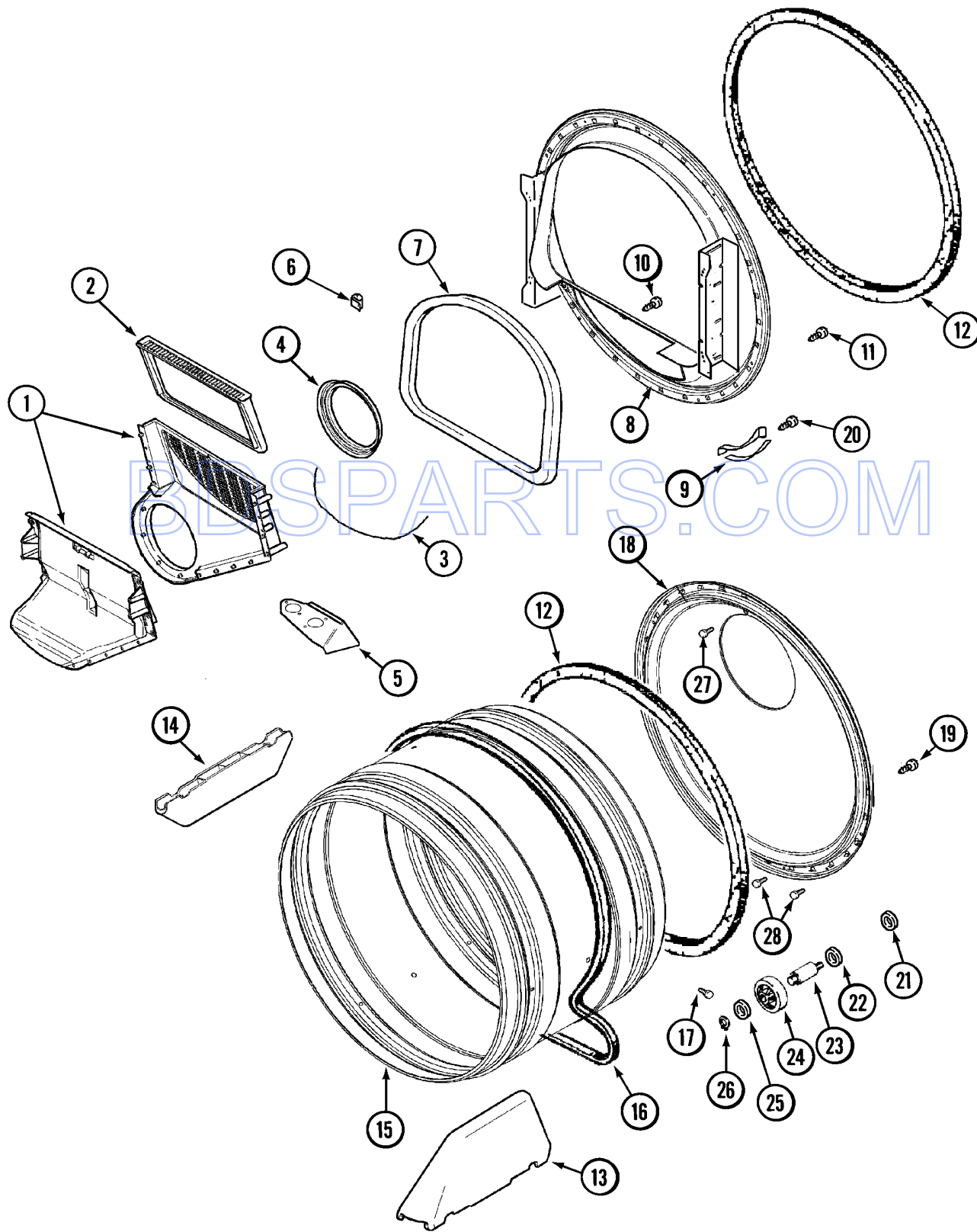
No.	Part No.	Description	Series	Qty
1	33002626	CABINET, ASSY. (WHT-AS PK)	10	1
2	22003367	HINGE, PLASTIC	10	2
-	22001995	SCREW Note: SCREW, HINGE	10	2
3	33001795	COVER, TERMINAL BLOCK	10	1
4	22001995	SCREW Note: SCREW, TERMINAL BLOCK COVER	10	2
5	33001425	LOCKNUT, EARED FOR CANADIAN	10	2
7	22001995	SCREW Note: SCREW, CABINET	10	2
8	33002053	GROMMET, CORD	10	1

BDSPARTS.COM

*Color Code (-)=Not Shown #=Series, Serial Prefix or Run No., N=Not Available

Section: TUMBLER

Model: MDE21PRAYW



LD13-39

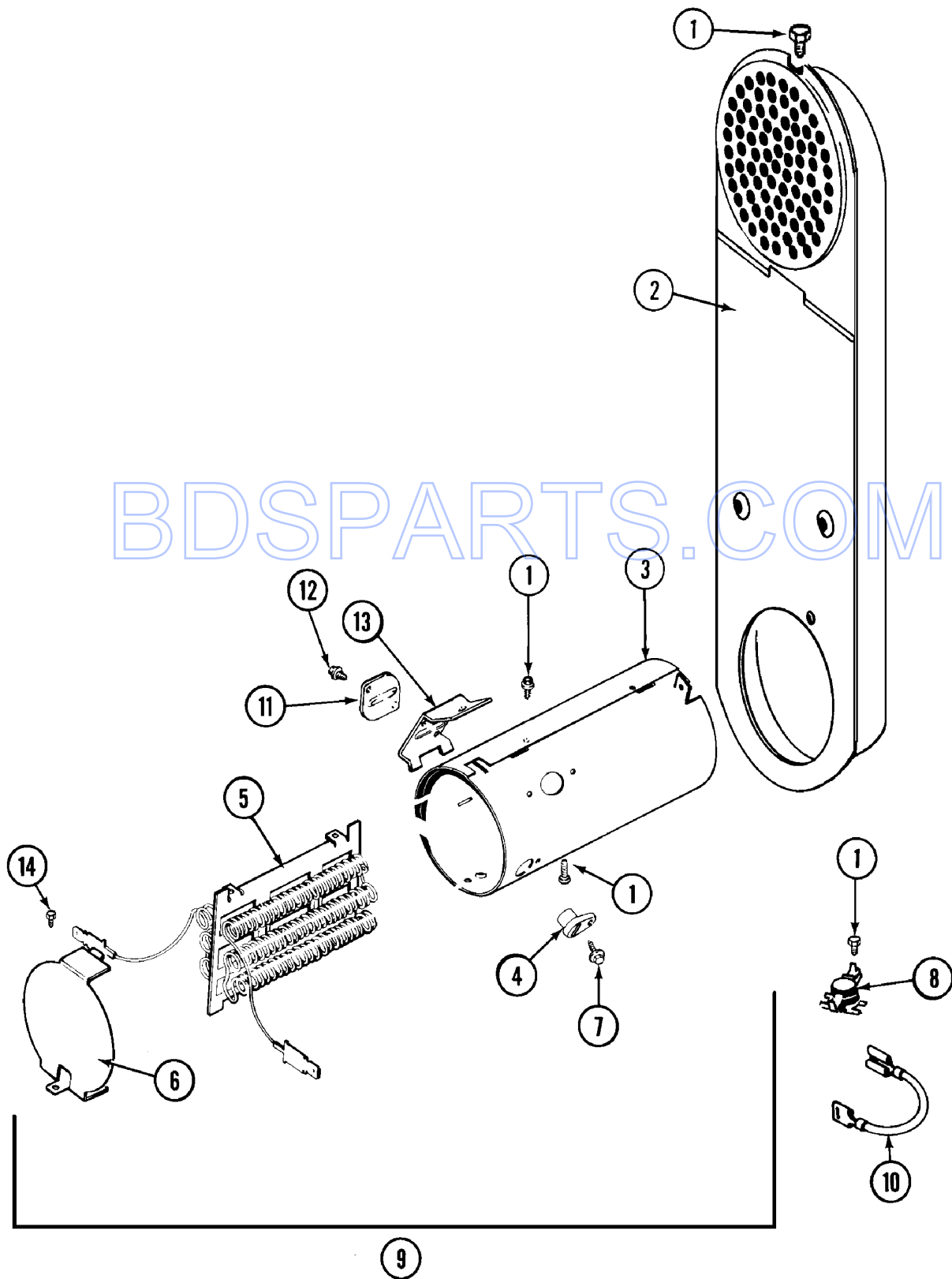
Section: TUMBLER

No.	Part No.	Description	Series	Qty
1	33001799	OUTLET DUCT ASSEMBLY	10	1
2	33001804	FILTER, LINT	10	1
3	N 33001775	SEAL, OUTLET DUCT	10	1
4	33001758	SEAL, BLOWER	10	1
5	33001837	COVER, THERMOSTAT (ELEC ONLY)	10	1
6	310376	CLIP, WIRE HARNESS	10	1
7	33001767	SEAL, SHROUD	10	1
8	33001802	FRONT, TUMBLER (W/SEAL)	10	1
9	306508	TUMBLER BEARING KIT	10	2
10	N 312311	SCREW----NA Note: SCREW, OUTLET DUCT (PHILLIPS)	10	1
11	33001855	SCREW (HEX HEAD) Note: SCREW, DUCT TO TUMBLER (HEX)	10	4
12	33001807	SEAL, TUMBLER	10	2
13	33001756	BAFFLE (TALL)	10	2
14	33001755	BAFFLE (SHORT)	10	1
15	33001794	TUMBLER	10	1
16	33001777	BELT, TUMBLER	10	1
17	33001788	SCREW, BAFFLE	10	6
18	33001801	BACK, TUMBLER (W/SEAL)	10	1
19	33002190	SCREW (#10-3/8")	10	4
20	210720	RIVET	10	4
21	33001443	NUT, HEX (ROLLER SHAFT)	10	2
22	Y313347	WASHER, SPRING (ROLLER SHAFT)	10	2
23	312948	SHAFT, TUMBLER ROLLER	10	2
24	Y303373	BEARING & ROLLER ASSEMBLY Note: ROLLER (W/BEARING)	10	2
25	312535	WASHER, ROLLER SHAFT	10	2
26	410233	RING, RETAINING	10	2
27	210932	SCREW, #8 X 9/16 CTSK Note: SCREW, INLET DUCT	10	1
28	22001996	SCREW Note: SCREW, INLET DUCT	10	2

*Color Code (-)=Not Shown #=Series, Serial Prefix or Run No., N=Not Available

Section: HEATER

Model: MDE21PRAYW



Section: HEATER

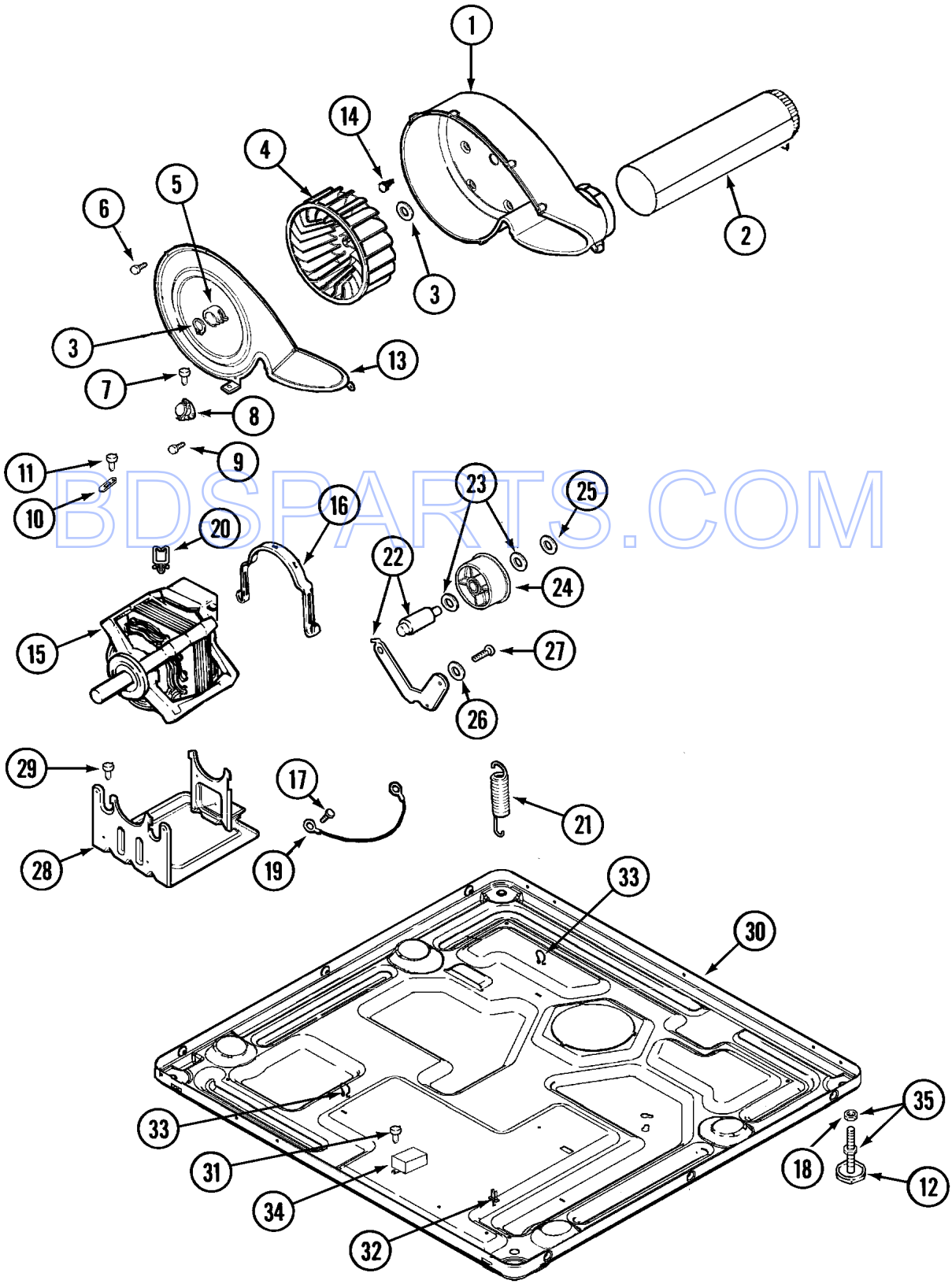
No.	Part No.	Description	Series	Qty
1	211294	SCREW Note: SCREW, HEATER	10	1
2	33001803	DUCT ASSY., INLET	10	1
3	314995	HEATER ENCLOSURE	10	1
4	314998	INSULATOR, TERMINAL	10	2
5	307185	HEATER SUB-ASSEMBLY (240V)	10	1
6	314999	SHIELD, RADIANT	10	1
7	N 314554	SCREW Note: SCREW, TERMINAL INSULATOR	10	2
8	303396	THERMOSTAT, HI-LIMIT (ELEC)	10	1
9	307179	HEATER ASSEMBLY(COMPLETE 240V)	10	1
10	Y307173	WIRE, JUMPER	10	1
11	307473	FUSE, THERMAL	10	1
12	314848	SCREW Note: SCREW, THERMAL FUSE	10	3
13	315346	BRACKET, THERMAL FUSE	10	1
14	33002046	SCREW, Note: SCREW, RADIANT SHIELD	10	1
-	Y308590	CONVERSION KIT (240V TO 208V)	10	1

BDSPARTS.COM

*Color Code (-)=Not Shown #=Series, Serial Prefix or Run No., N=Not Available

Section: MOTOR DRIVE

Model: MDE21PRAYW



CD17-22

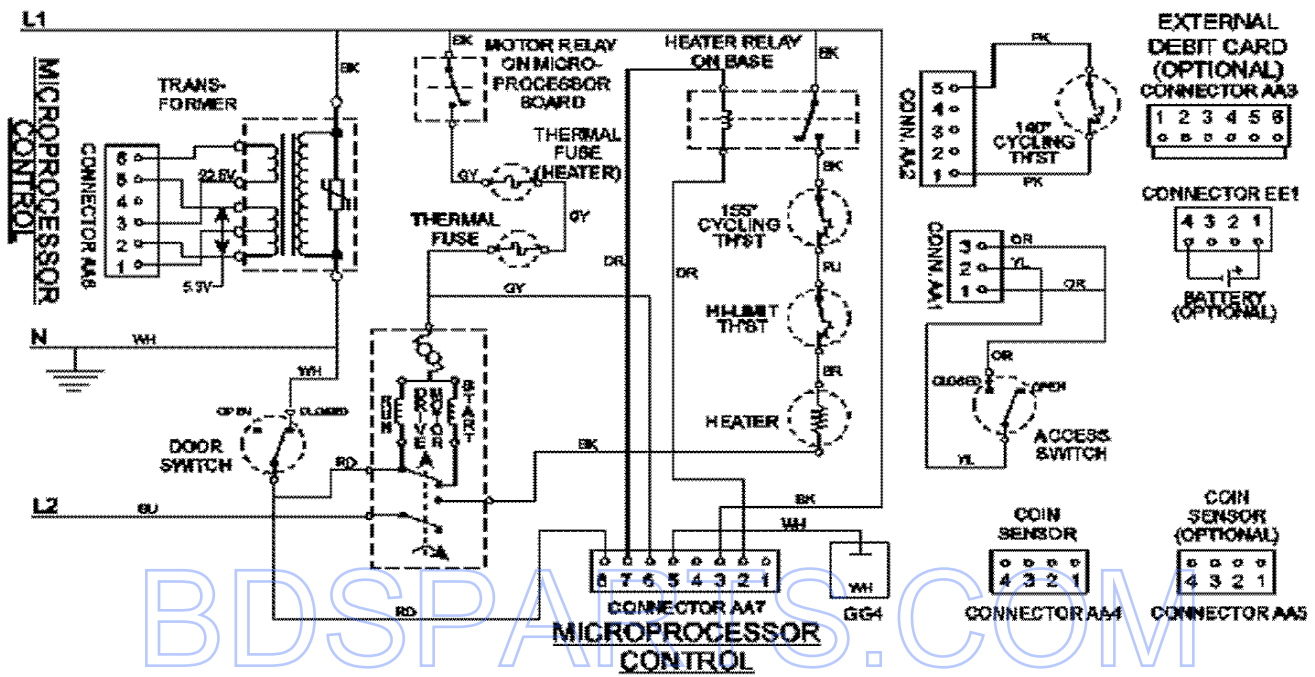
Section: MOTOR DRIVE

No.	Part No.	Description	Series	Qty
1	33001789	HOUSING, BLOWER	10	1
-	22001995	SCREW Note: SCREW, EXHAUST DUCT ASSEMBLY	10	1
2	33001800	DUCT ASSY., EXHAUST	10	1
3	410233	RING, RETAINING	10	2
4	33001790	WHEEL, BLOWER	10	1
4	33002797	WHEEL, BLOWER	23	1
5	312967	CLAMP, BLOWER HOUSING	10	1
6	33001855	SCREW (HEX HEAD) Note: SCREW, HOUSING COVER	10	8
7	N 313561	SCREW----NA Note: SCREW, HOUSING COVER	10	3
8	33303391	THERMOSTAT, CYCLING Note: THERMOSTAT, CYCLING	10	1
8	303392	CYCLING THERMOSTAT 140 DEG. Note: THERMOSTAT, CYCLING (140 DEG.)	10	1
9	22001996	SCREW Note: SCREW, THERMOSTAT	10	4
10	33001762	FUSE, THERMAL (W' BRACKET)	10	1
11	314848	SCREW Note: SCREW, THERMAL CUT-OFF	10	1
12	314137	FOOT, RUBBER	10	4
13	33001796	COVER, BLOWER HOUSING	10	1
-	33002560	SEAL, BLOWER	10	1
14	314818	SCREW Note: SCREW, BLOWER HOUSING	10	4
15	33002795	MOTOR, DRIVE 60HZ	23	1
15	33002478	MOTOR	10	1
16	Y015825	CLIP, MOTOR	10	2
17	910343	SCREW, GROUND WIRE	10	1
18	Y052740	NUT Note: NUT, LEG	10	4
19	901220	WIRE, GROUND	10	1
20	310376	CLIP, WIRE HARNESS	10	1
21	33002460	SPRING, IDLER Note: SPRING & IDLER KIT 33002459	10	1
-	33002461	PLUG FOR SPRING	10	1
-	33002157	GROMMET	10	1
22	33001782	IDLER ARM & SHAFT ASSY.	10	1
23	312527	WASHER, IDLER SHAFT (QTY-1)	10	2
24	33001783	BEARING, IDLER ASSEMBLY	10	1
25	312958	RETAINING RING, IDLER SHAFT	10	1
26	315772	SLEEVE, IDLER ARM	10	1
27	Y014874	SCREW Note: SCREW, IDLER ARM SLEEVE	10	1
28	33002466	SUPPORT, MOTOR	10	1
-	N 313561	SCREW----NA Note: SCREW, SUPPORT	10	1
28	33001752	SUPPORT, MOTOR	10	1
29	N 313561	SCREW----NA Note: SCREW, MOTOR & BLOWER	10	2
30	N 33002465	BASE, (LWR)----NA	10	1
31	22001078	SCREW Note: SCREW, RELAY & BASE	10	2
32	315471	RETAINER, WIRE	10	1
33	410490	SPRING, WIRE HARNESS	10	2
34	306199	RELAY, HEATER	10	1
35	305086	ADJUSTABLE LEG & NUT	10	4

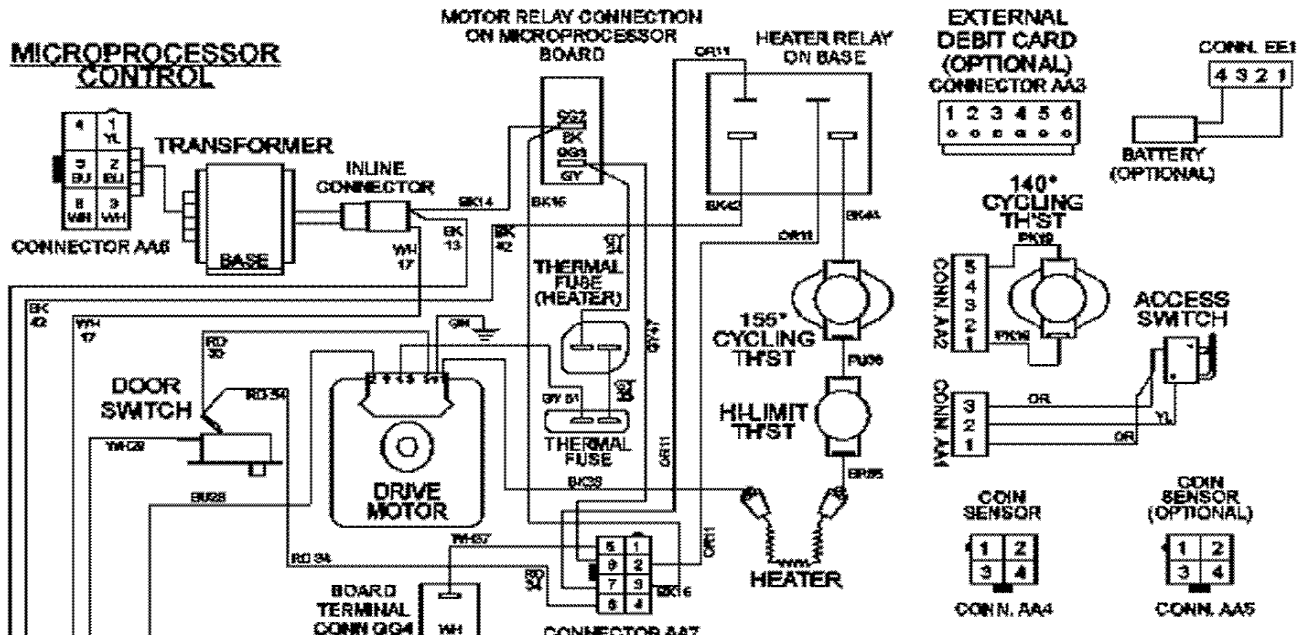
*Color Code (-)=Not Shown #=Series, Serial Prefix or Run No., N=Not Available

Section: WIRING INFORMATION

Model: MDE21PRAYW



ELECTRICAL SCHEMATIC



COMMERCIAL DRYER DIAGNOSTIC CODES

d1	- DRYER DOOR CIRCUIT FAILURE
d4	- DRYER MOTOR CONTROL CIRCUIT FAILURE
d5	- BLOCKED COIN 1 OR CONTROL CIRCUIT FAILURE
d9	- LOW VOLTAGE DETECTED: LESS THAN 90 VAC
d12	- DRYER MOTOR SENSE FAILURE
d13	- BLOCKED COIN 2 OR CONTROL CIRCUIT FAILURE
d18	- DEBIT CARD READER COMMUNICATION FAILURE

MICROPROCESSOR CONTROL

U.S. MODELS
MDE 14PN

