

DRYER

Repair Parts List

MODEL NUMBER

MDE26MNACW

DDSPARTS.COM

When requesting service or ordering parts, always provide the following information:

- Product Type
- Part Number
- Model Number
- Part Description

MAYTAG®

©2005 Maytag Services

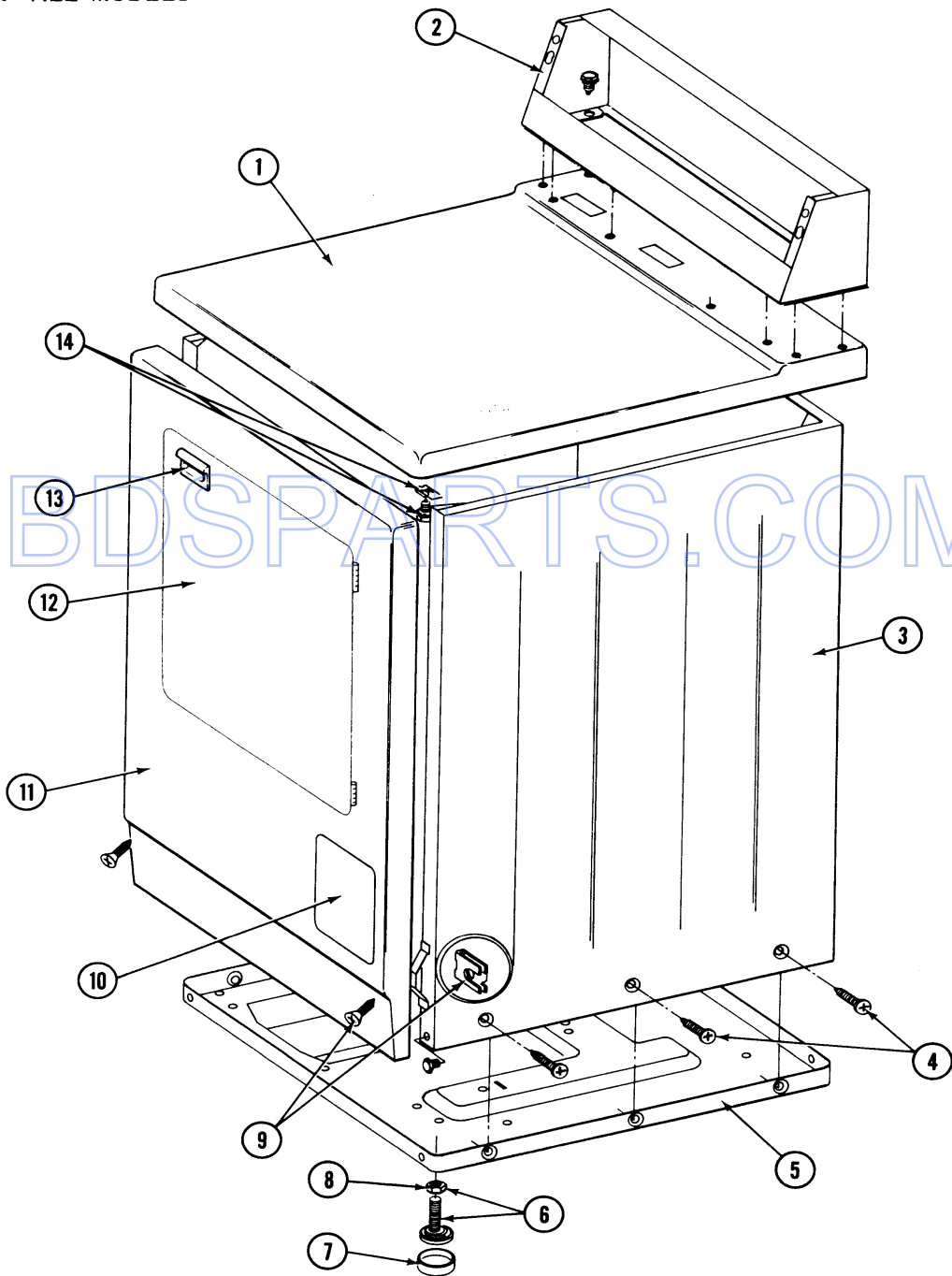
Section: FRONT

Model: MDE26MNACW

Section: FRONT

P/N 16000340

Models: ALL MODELS



5/92

2

MA103A5

Section: FRONT

No.	Part No.	Description	Series	Qty
1	307104	TOP COVER ASSY Note: TOP COVER ASSY. (WHT)	A0	1
2	N 305212	CONSOLE-WHITE Note: CONSOLE (WHT)	A0	1
-	212276	SCREW	A0	4
-	Y310632	SCREW	A0	1
3	N 307124	CABINET (WHT)	A0	1
4	213007	SCREW, CABINET	A0	6
5	Y303361	BASE ASSY.	A0	1
6	Y305086	ADJUSTABLE LEG & NUT	A0	4
7	Y314137	FOOT, RUBBER	A0	4
8	Y052740	NUT	A0	4
9	204439	SCREW & FSTNER ASSY(FRT.PANEL)	A0	4
11	N 308000	PANEL, FRONT (WHT) Note: FRONT PANEL ASSY. (WHT)	A0	1
12	308061	DOOR ASSY. COMPLETE (WHT)	A0	1
13	314946	HANDLE WHITE Note: HANDLE (WHT)	A0	1
14	204445	SCREW & FASTENER ASY.	A0	2

BDSPARTS.COM

*Color Code (-)=Not Shown #=Series, Serial Prefix or Run No., N=Not Available

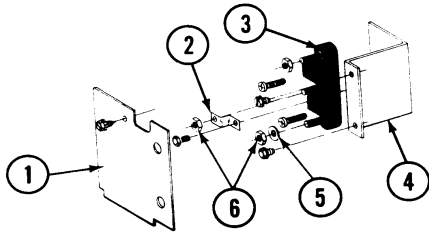
Section: REAR

Model: MDE26MNACW

P/N 16000340

Section: REAR

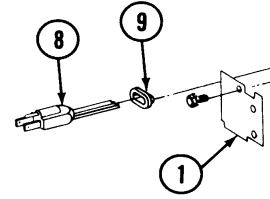
Models: ALL MODELS



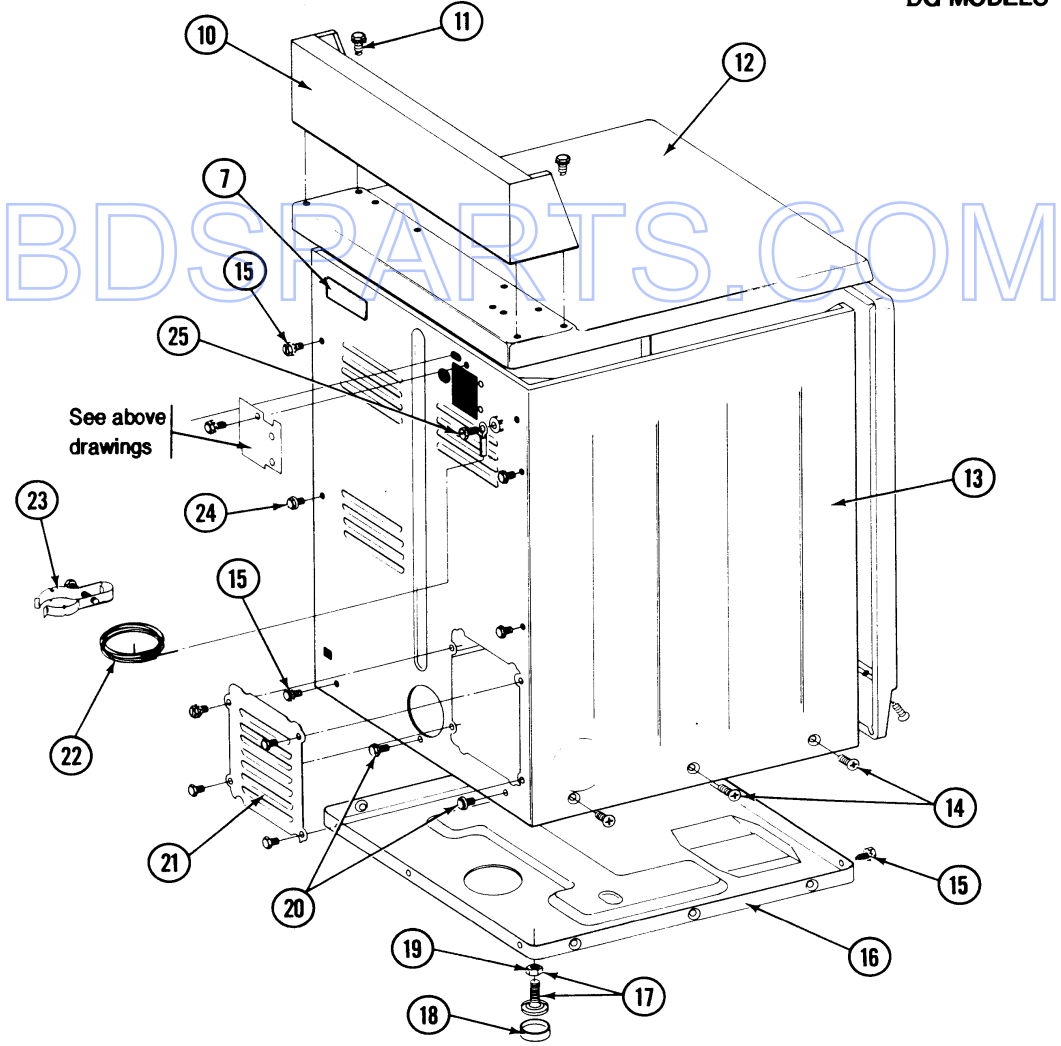
DE MODELS

CET APPAREIL DOIT ETRE CORRECTEMENT BRANCHE
A UN FIL DE TERRE POUR EVITER TOUT DANGER
POSSIBLE DUE A UN CHOC ELECTRIQUE
THIS APPLIANCE MUST BE GROUNDED ACCORDING
TO THE REQUIREMENTS OF NATIONAL AND LOCAL
CODES IN ORDER TO AVOID THE POSSIBILITY OF
HAZARD DUE TO ELECTRICAL SHOCK

7



DG MODELS



5/92

Section: REAR

No.	Part No.	Description	Series	Qty
1	N 313561	SCREW----NA	A0	1
1	Y312905	COVER, TERMINAL	A0	1
2	Y312184	STRAP, GROUND	A0	1
2	Y311423	SCREW, #10-32 X 1/2 INCH	A0	2
3	Y312209	SCREW, #10-24 X 3/4 INCH----O	A0	2
3	400008	BLOCK, TERMINAL	A0	1
4	N 313561	SCREW----NA	A0	1
4	Y310632	SCREW	A0	1
4	Y312904	BRACKET, TERMINAL BLOCK	A0	1
5	Y311270	WASHER, TERMINAL BLOCK	A0	3
6	311484	NUT, TERMINAL BLOCK	A0	9
8	305168	CORD, POWER (CANADA)	A0	1
10	N 305212	CONSOLE-WHITE Note: CONSOLE (WHT)	A0	1
11	212276	SCREW	A0	4
12	307105	TOP COVER ASSY. (WHT) Note: TOP COVER ASSY. (WHT)	A0	1
13	N 307124	CABINET (WHT)	A0	1
14	213007	SCREW, CABINET	A0	6
15	N 313561	SCREW----NA	A0	1
16	Y303361	BASE ASSY.	A0	1
17	Y305086	ADJUSTABLE LEG & NUT	A0	4
18	Y314137	FOOT, RUBBER	A0	4
19	Y052740	NUT	A0	4
20	Y310632	SCREW	A0	3
21	211294	SCREW	A0	3
21	Y312951	COVER, ACCESS	A0	1
21	Y313559	SCREW	A0	1
22	311155	GROUND WIRE	A0	1
23	N 312122	SCREW	A0	1
23	301548	CLAMP, GROUND (W/SCREW)	A0	1
24	Y310632	SCREW	A0	3
25	303846	SCREW & WASHER ASSY.	A0	1

*Color Code (-)=Not Shown #=Series, Serial Prefix or Run No., N=Not Available

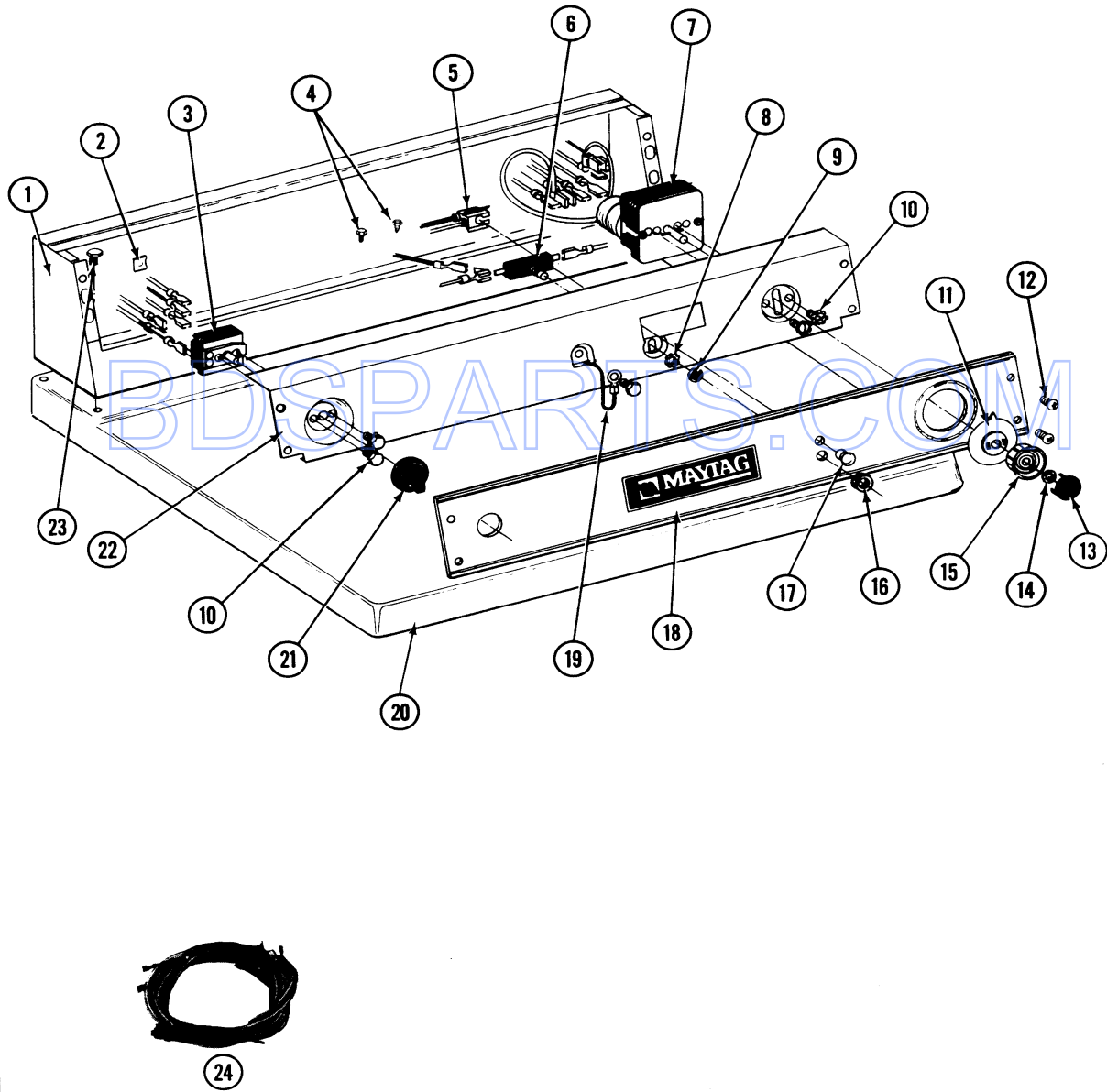
Section: MN CONTROL PANEL

Model: MDE26MNACW

P/N 16000340

Section: MN CONTROL PANEL

Models: MDE-MDG26MN



5/92

10

MA103A13

Section: MN CONTROL PANEL

No.	Part No.	Description	Series	Qty
1	N 305212	CONSOLE-WHITE Note: CONSOLE (WHT)	A0	1
2	215003	FASTENER	A0	2
3	307237	SWITCH, CYCLE SELECTOR	A0	1
4	211294	SCREW	A0	1
5	204075	LIGHT, INDICATOR	A0	1
6	306940	SWITCH, PUSH-TO-START	A0	1
-	Y304585	TIMER MOTOR RPR	A0	1
7	305214	TIMER	A0	1
8	312751	LOCK WASHER	A0	1
9	Y312706	HEX NUT ON SWITCH	A0	1
10	Y313588	SCREW	A0	4
11	314725	TIMER DIAL INDICATOR	A0	1
12	212277	SCREW, #8 X 1/2 INCH	A0	4
13	314723	CAP FOR TIMER KNOB	A0	1
14	312273	NUT	A0	1
15	314724	KNOB FOR TIMER	A0	1
16	Y312702	KNURLED NUT	A0	1
17	215564	LENS, INDICATOR (AMBER)	A0	1
18	314909	CONTROL PANEL COMMERCIAL DRYER	A0	1
19	211252	SCREW	A0	1
19	205810	WIRE, GROUND	A0	1
20	307104	TOP COVER ASSY Note: TOP COVER ASSY. (WHT)	A0	1
21	306938	KNOB, SELECTOR SWITCH	A0	1
22	N 314911	BACK-UP PLATE - WHITE Note: BACK-UP PLATE (WHT)	A0	1
23	212276	SCREW	A0	4
24	N 307405	WIRE HARNESS	A0	1
24	N 308303	WIRE HARNESS	A3	1

*Color Code (-)=Not Shown #=Series, Serial Prefix or Run No., N=Not Available

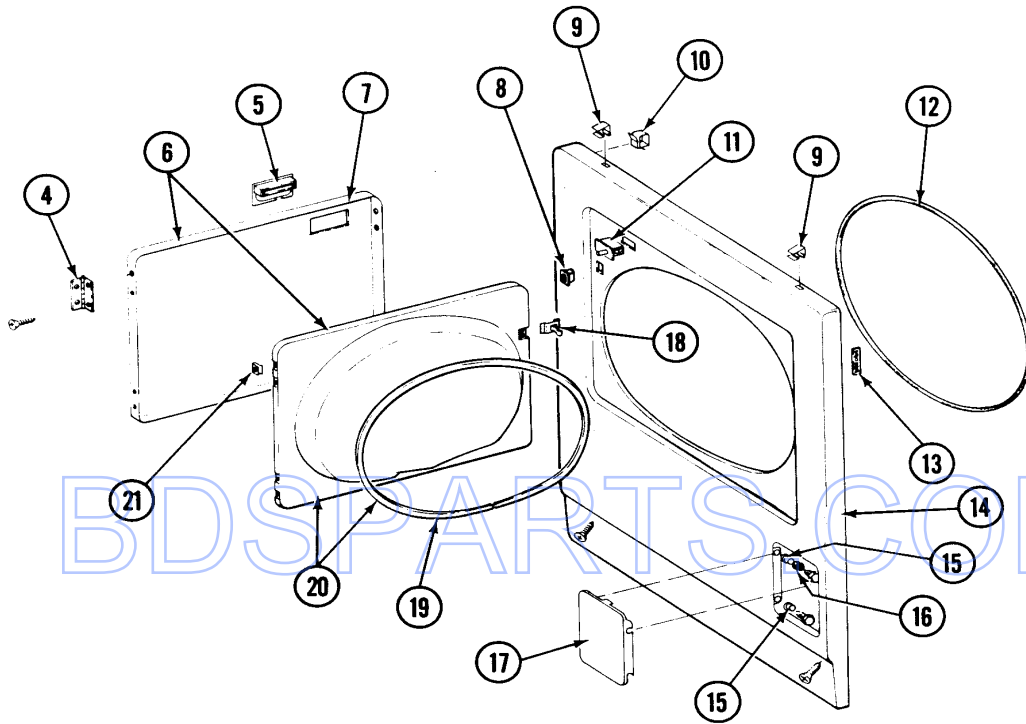
Section: FRONT PANEL

Model: MDE26MNACW

Section: FRONT PANEL

P/N 16000340

Models: ALL MODELS



YOU WILL NOT GET GOOD RESULTS UNLESS YOU CLEAN THE LINT SCREEN FIRST.

1

WARNING - TO AVOID FIRE HAZARD, INCLUDING SPONTANEOUS COMBUSTION DO NOT DRY ARTICLES CONTAINING FOAM RUBBER OR SIMILARLY TEXTURED RUBBER-LIKE MATERIALS OR ANY MATERIAL ON WHICH YOU HAVE USED A CLEANING SOLVENT OR WHICH CONTAINS FLAMMABLE LIQUID OR SOLIDS (SUCH AS GASOLINE, KEROSENE, WAXES, ETC.).

CAUTION - DRY ONLY FABRICS CLEANED IN WATER. BE SURE TO CLEAN LINT FILTER BEFORE EACH LOAD. A CLOTHES DRYER PRODUCES COMBUSTIBLE LINT AND THE AREA AROUND THE CLOTHES DRYER SHOULD BE KEPT FREE OF LINT. THIS DRYER MUST BE INSTALLED WITH AN EXHAUST VENT TO THE OUTDOORS.

ATTENTION - NE SÈCHER QUE DES TISSUS LAVÉS DANS L'EAU POUR ÉVITER TOUTE POSSIBILITÉ DE FEU OU D'INCENDIE PAR COMBUSTION SPONTANÉE. NE PAS SÈCHER DANS LA SÈCHEUSE DES ARTICLES CONTENANT DU CAOUTCHOUC - MOUSSE OU FORMES DE CAOUTCHOUC - MOUSSE UNE SÈCHEUSE À L'INTÉRIEUR DE LA MOUSSE COMBUSTIBLE ET IL EST RECOMMANDÉ DE GARDER LA ZONE DE LA SÈCHEUSE PROPRE ET EXEMPTÉ DE MOUSSE. ASSUREZ-VOUS DE NETTOYER LE FILTRE AVANT CHAQUE USAGE. L'INSTALLATION DE CETTE SÈCHEUSE DOIT COMPORTER UN ÉVENT VERS L'EXTÉRIEUR.

2

WARNING - TO AVOID FIRE HAZARD, INCLUDING SPONTANEOUS COMBUSTION DO NOT DRY ARTICLES CONTAINING FOAM RUBBER OR SIMILARLY TEXTURED RUBBER-LIKE MATERIALS OR ANY MATERIAL ON WHICH YOU HAVE USED A CLEANING SOLVENT OR WHICH CONTAINS FLAMMABLE LIQUIDS OR SOLIDS (SUCH AS GASOLINE, KEROSENE, WAXES, ETC.).

CAUTION - DRY ONLY FABRICS CLEANED IN WATER. BE SURE TO CLEAN LINT FILTER BEFORE EACH LOAD. A CLOTHES DRYER PRODUCES COMBUSTIBLE LINT AND THE AREA AROUND THE CLOTHES DRYER SHOULD BE KEPT FREE OF LINT. THIS DRYER SHOULD BE EXHAUSTED TO THE OUTSIDE.

GAS DRYERS ONLY - EQUIPPED WITH AN INTERMITTENT TYPE IGNITION DEVICE.

3

Section: FRONT PANEL

No.	Part No.	Description	Series	Qty
1	Y313340	LABEL, LINT SCREEN INSTRUCTION Note: LABEL, LINT SCREEN INSTR.	A0	1
2	314941	LABEL, INSTRUCTION	A0	1
3	N 314942	INSTRUCTION LABEL Note: PART NOT USED	A0	1
4	307099	HINGE	A0	2
4	Y314062	SCREW	A0	8
5	314946	HANDLE WHITE Note: HANDLE (WHT)	A0	1
-	312960	SCREW - INLET DUCT Note: SCREW, INLET DUCT	A0	1
6	Y307111	DOOR ASSY. COMPLETE (WHT) Note: DOOR ASSY. COMPLETE (WHT)	A0	1
7	314966	PANEL, OUTER (WHT) Note: PANEL, OUTER (WHT)	A0	1
8	306436	DOOR LATCH KIT--W	A0	1
9	212982	FASTENER, PANEL	A0	2
10	Y310376	CLIP, WIRE HARNESS	A0	1
11	Y305753	SWITCH, DOOR	A0	1
12	314937	SEAL, FRONT PANEL	A0	1
13	Y313907	TWIN FASTENER	A0	2
14	N 308000	PANEL, FRONT (WHT)	A0	1
-	204439	SCREW & FSTNER ASSY(FRT.PANEL) Note: SCREW & FSTNER ASSY (FT.PNL)	A0	1
18	314936	DOOR STRIKE	A0	1
-	314944	STRIKE PLATE	A0	1
19	314935	DOOR SEAL	A0	1
20	307098	DOOR, INNER (W/SEAL)	A0	1
21	Y313910	CLIP, DOOR LINER TO OUTER PNL Note: CLIP, DOOR LINER (OUTER PNL)	A0	9

*Color Code (-)=Not Shown #=Series, Serial Prefix or Run No., N=Not Available

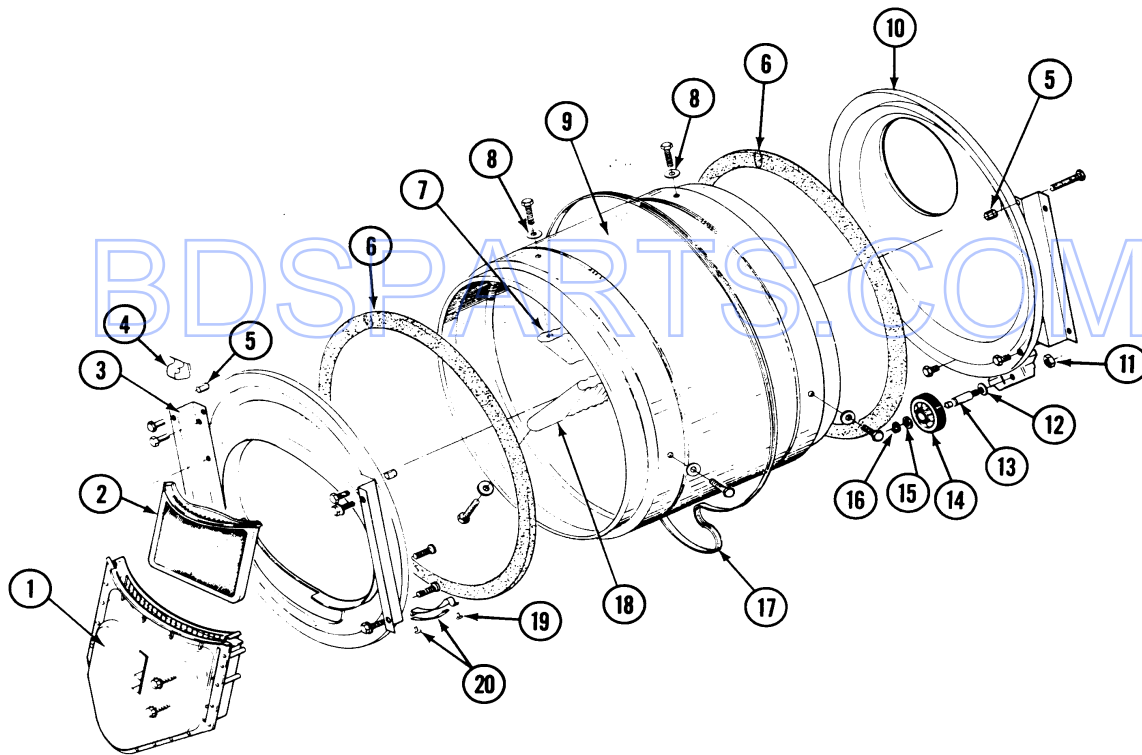
Section: TUMBLER

Model: MDE26MNACW

P/N 16000340

Section: TUMBLER

Models: ALL MODELS



5/92

Section: TUMBLER

No.	Part No.	Description	Series	Qty
-	Y314110	SCREW, INLET DUCT ----S	A0	4
1	Y307112	DUCT, OUTLET ASSY.	A0	1
2	307108	SCREEN, LINT	A0	1
-	N 313764	SCREW	A0	4
-	Y310632	SCREW	A0	3
3	307109	FRONT, TUMBLER (W/SEAL)	A0	1
-	N 313561	SCREW----NA	A0	1
4	Y310376	CLIP, WIRE HARNESS	A0	1
5	N 313915	COVER, THREAD	A0	4
6	314820	SEAL, TUMBLER	A0	2
7	314803	BAFFLE (SHORT)	A0	1
-	Y310759	SCREW	A0	6
8	314158	WASHER	A0	6
9	314802	TUMBLER W/OUT BAFFLES	A0	1
9	306663	TUMBLER W/BAFFLES	A0	1
10	Y307114	BACK, TUMBLER (W/SEAL) ---S	A0	1
-	211294	SCREW	A0	3
10	Y308544	BACK, TUMBLER (W/SEAL) ---S	A5	1
11	312538	NUT, ROLLER SHAFT	A0	2
12	Y313347	WASHER,SPRING(ROLLER SHAFT)--S	A0	2
13	Y312948	SHAFT, TUMBLER ROLLER---C	A0	2
14	Y303373	BEARING & ROLLER ASSEMBLY	A0	2
15	312535	WASHER, ROLLER SHAFT	A0	2
16	410233	RING, RETAINING	A0	4
17	Y312959	BELT, TUMBLER & MOTOR	A0	1
-	Y310759	SCREW	A0	6
18	314804	BAFFLE (TALL)	A0	2
19	210720	RIVET	A0	4
20	306508	TUMBLER BEARING KIT	A0	2

*Color Code (-)=Not Shown #=Series, Serial Prefix or Run No., N=Not Available

Section: HEATER (A3 SERIES)

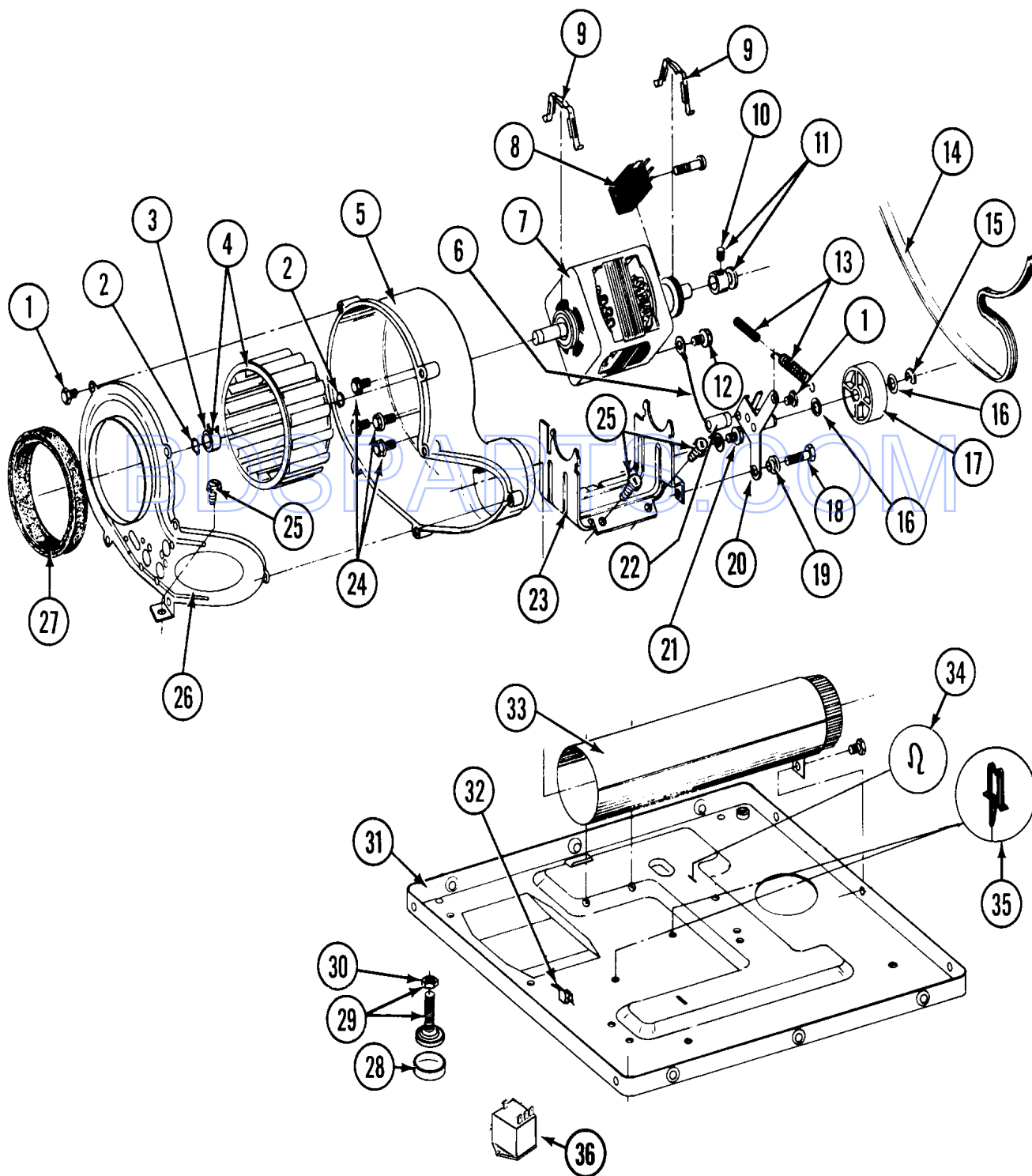
No.	Part No.	Description	Series	Qty
1	211294	SCREW	A3	8
2	N 307120	INLET DUCT ASSY.	A3	1
3	314995	HEATER ENCLOSURE	A3	1
4	315346	BRACKET, THERMAL FUSE	A3	1
5	314848	SCREW	A3	2
6	307473	FUSE, THERMAL	A3	1
7	314998	INSULATOR, TERMINAL	A3	2
8	307185	HEATER SUB-ASSEMBLY (240V)	A3	1
9	314999	SHIELD, RADIANT	A3	1
10	N 314554	SCREW	A3	2
11	303396	THERMOSTAT, HI-LIMIT (ELEC)	A3	1
12	307179	HEATER ASSEMBLY(COMPLETE 240V) Note: (240V)	A3	1

BDSPARTS.COM

*Color Code (-)=Not Shown #=Series, Serial Prefix or Run No., N=Not Available

Section: MOTOR DRIVE, BLOWER & BASE FRAME

Model: MDE26MNACW



LD14-20

Section: MOTOR DRIVE, BLOWER & BASE FRAME

No.	Part No.	Description	Series	Qty
1	Y312961	SCREW	A0	6
2	410233	RING, RETAINING	A0	2
3	312967	CLAMP, BLOWER HOUSING	A0	1
4	Y303836	BLOWER WHEEL ASSEMBLY & CLAMP	A0	1
5	Y312893	HOUSING, BLOWER	A0	1
6	901220	WIRE, GROUND	A0	1
7	Y303358	MOTOR ---C	A0	1
8	N 306207	SWITCH, MOTOR START-PROD. Note: #3-3358-8 & 3-3358-9	A0	1
8	Y303879	SWITCH, MOTOR STARTPROD. Note: SWITCH, MOTOR START-PROD. #3-3358 & 3-3358-6	A0	1
8	Y303877	SWITCH, MOTOR----C Note: PRODUCTION #3-3358-2, 3-3358-4& 3-3358-7	A0	1
9	Y015825	CLIP, MOTOR	A0	2
10	Y053241	SET SCREW, PULLEY	A0	1
11	Y305185	PULLEY, MOTOR (W/SET SCREW)	A0	1
12	910343	SCREW, GROUND WIRE	A0	1
13	Y303945	IDLER SPRING ASSEMBLY	A0	1
14	Y312959	BELT, TUMBLER & MOTOR	A0	1
15	312958	RETAINING RING, IDLER SHAFT	A0	2
16	Y312527	WASHER, IDLER SHAFT (QTY-1)	A0	2
17	Y303705	PULLEY, IDLER	A0	1
18	Y014874	SCREW	A0	1
19	Y312894	SLEEVE, IDLER ARM ----S	A0	1
20	Y303363	IDLER ARM & SHAFT ASSY.	A0	1
21	211294	SCREW	A0	1
22	Y313582	SPACER, IDLER BRACKET	A0	1
23	N 312897	SUPPORT, MOTOR	A0	1
24	Y310632	SCREW	A0	5
25	N 313561	SCREW----NA	A0	3
26	314778	COVER FOR BLOWER Note: COVER, BLOWER	A0	1
27	Y312901	SEAL, BLOWER	A0	1
28	210684	FOOT, RUBBER	A0	4
29	Y302699	LEG, ADJUSTABLE (W/NUT)---S	A0	4
30	210385	NUT, LOCK	A0	4
31	Y303361	BASE ASSY.	A0	1
32	Y310376	CLIP, WIRE HARNESS	A0	1
33	Y303442	EXHAUST DUCT ASSY.	A0	1
34	410490	SPRING, WIRE HARNESS	A0	1
35	Y313262	RETAINER, WIRE HARNESS	A0	3
36	306199	RELAY, HEATER	A0	1

*Color Code (-)=Not Shown #=Series, Serial Prefix or Run No., N=Not Available

Section: THERMOSTATS

Model: MDE26MNACW

Section: THERMOSTATS

P/N 16000340

Models: ALL MODELS



Used On: All
DE & DG Models

①



Used On:
DE-DG26CD

②



Used On:
DE-DG26CA-CT

③



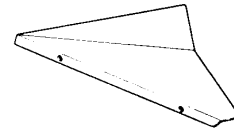
Used On:
DG26CA-CT

④



Used On:
DE26CA-CT

⑤



Used On:
DE Models

⑥

BDSPARTS.COM

Section: THERMOSTATS

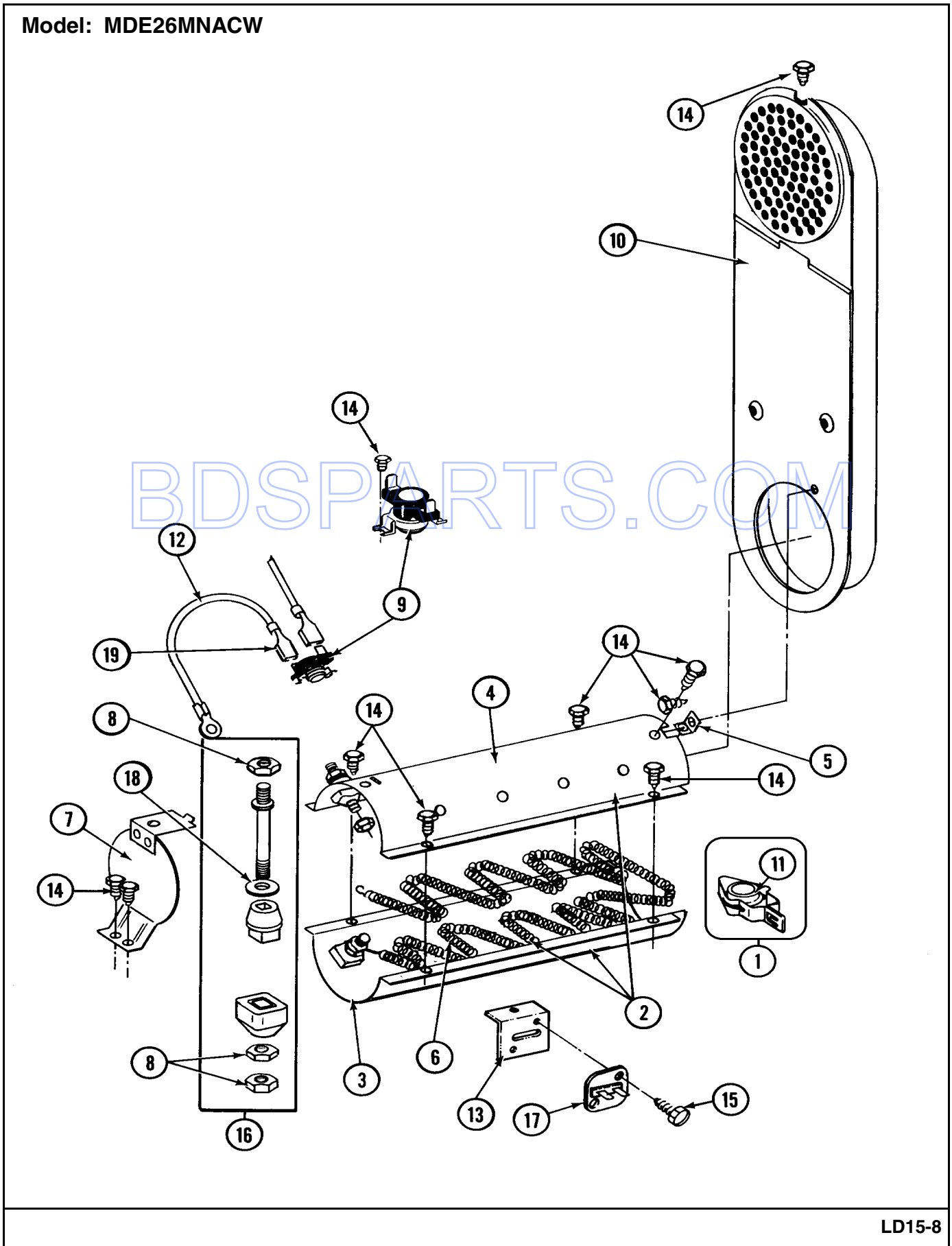
No.	Part No.	Description	Series	Qty
1	303392	CYCLING THERMOSTAT 140 DEG Note: CYCLING THERMOSTAT (140 DEG.)	A0	1
-	211294	SCREW	A0	2
-	314848	SCREW	A0	2
3	306604	CUT-OFF, THERMAL	A0	1
-	211294	SCREW	A0	2
5	306967	THERMOSTAT, MULTI-TEMP	A0	1
6	315122	COVER, THERMOSTAT	A0	1
-	Y310632	SCREW	A0	2

BDSPARTS.COM

*Color Code (-)=Not Shown #=Series, Serial Prefix or Run No., N=Not Available

Section: HEATER (A0 SERIES)

Model: MDE26MNACW



LD15-8

Section: HEATER (A0 SERIES)

No.	Part No.	Description	Series	Qty
1	Y303881	CLIP AND INSULATOR ASSEMBLY	A0	17
2	307470	HEATER ASSY 240V	A0	1
3	Y313576	HEATER CHAMBER, BOTTOM	A0	1
4	Y313575	HEATER CHAMBER, TOP	A0	1
5	Y312890	RETAINER, HEATER CHAMBER	A0	1
6	Y313537	HEATER ELEMENT 240 VOLT	A0	1
7	304124	HEATER SHIELD	A0	1
8	311484	NUT, TERMINAL BLOCK	A0	2
9	303396	THERMOSTAT, HI-LIMIT (ELEC)	A0	1
10 N	307120	INLET DUCT ASSY.	A0	1
11	Y313270	INSULATOR FOR HEATER ELEMEN	A0	17
12	Y304693	JUMPER WIRE	A0	1
13	315046	MOUNTING BRACKET	A0	1
14	211294	SCREW	A0	10
15	314848	SCREW	A0	2
16	Y304596	TERMINAL INSULATOR ASSEMBLY	A0	2
17	307473	FUSE, THERMAL	A0	1
18	311093	WASHER, 7/32 INCH	A0	2
19	210745	WIRE TERMINAL	A0	1

BDSPARTS.COM

*Color Code (-)=Not Shown #=Series, Serial Prefix or Run No., N=Not Available

