

# DRYER

## Repair Parts List

MODEL NUMBER

MDE26PCACW

BDSPARTS.COM

When requesting service or ordering parts, always provide the following information:

- Product Type
- Part Number
- Model Number
- Part Description

**MAYTAG**®

©2005 Maytag Services

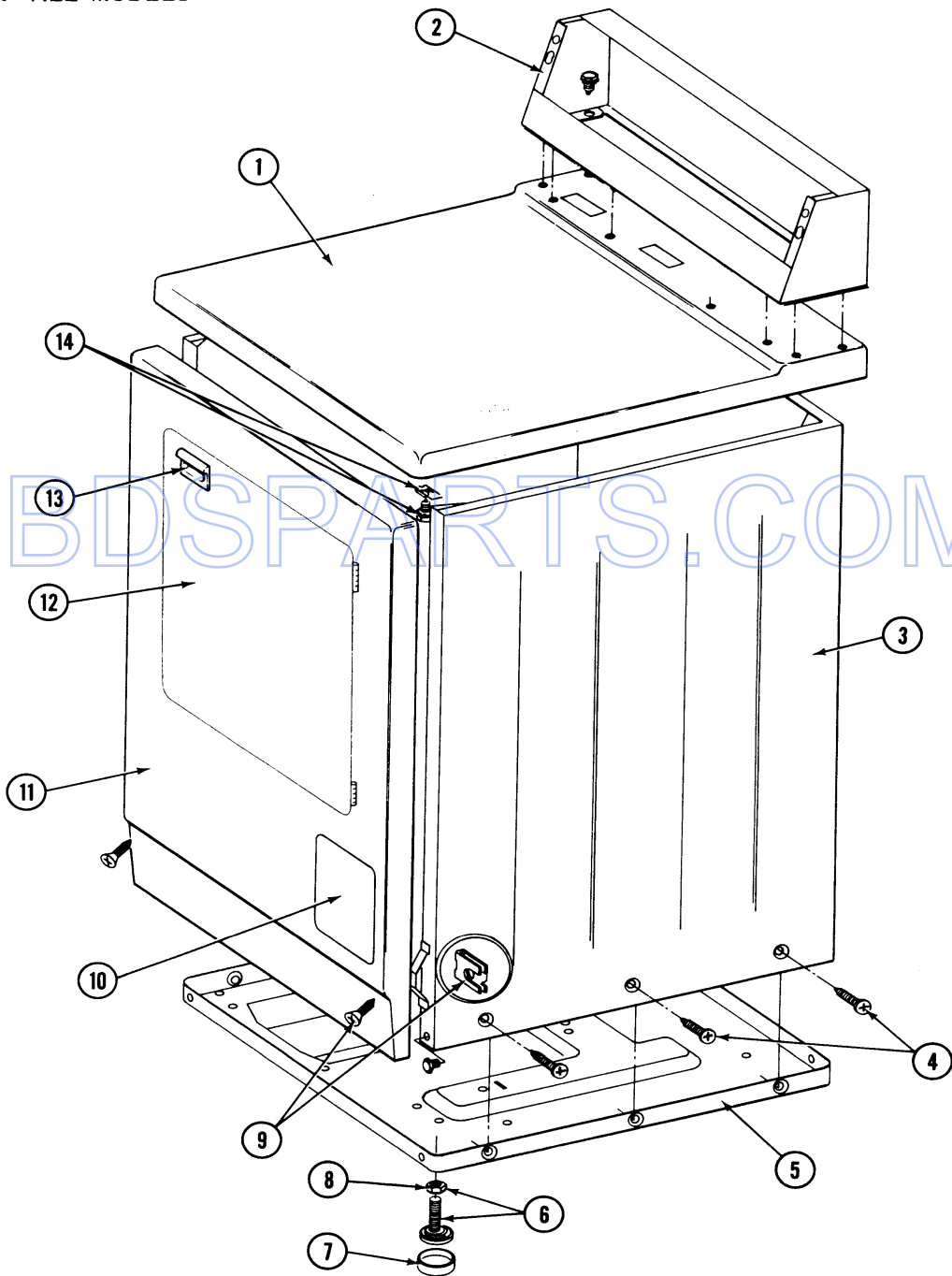
Section: FRONT

Model: MDE26PCACW

Section: FRONT

P/N 16000340

Models: ALL MODELS



5/92

2

MA103A5

**Section: FRONT**

No.	Part No.	Description	Series	Qty
1	307104	TOP COVER ASSY Note: TOP COVER ASSY. (WHT)	A0	1
2	N 306689	CONTROL COVER (WHT)	A0	1
-	212276	SCREW	A0	4
3	N 307124	CABINET (WHT)	A0	1
-	Y310632	SCREW	A0	1
4	213007	SCREW, CABINET	A0	6
5	Y303361	BASE ASSY.	A0	1
6	Y305086	ADJUSTABLE LEG & NUT	A0	4
7	Y314137	FOOT, RUBBER	A0	4
8	Y052740	NUT	A0	4
9	204439	SCREW & FSTNER ASSY(FRT.PANEL)	A0	4
11	N 308000	PANEL, FRONT (WHT) Note: FRONT PANEL ASSY. (WHT)	A0	1
12	308061	DOOR ASSY. COMPLETE (WHT)	A0	1
13	314946	HANDLE WHITE Note: HANDLE (WHT)	A0	1
14	204445	SCREW & FASTENER ASY.	A0	2

BDSPARTS.COM

\*Color Code (-)=Not Shown #=Series, Serial Prefix or Run No., N=Not Available

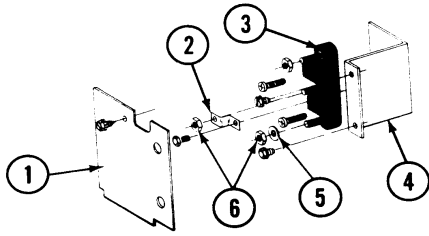
Section: REAR

Model: MDE26PCACW

P/N 16000340

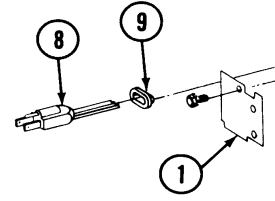
Section: REAR

Models: ALL MODELS

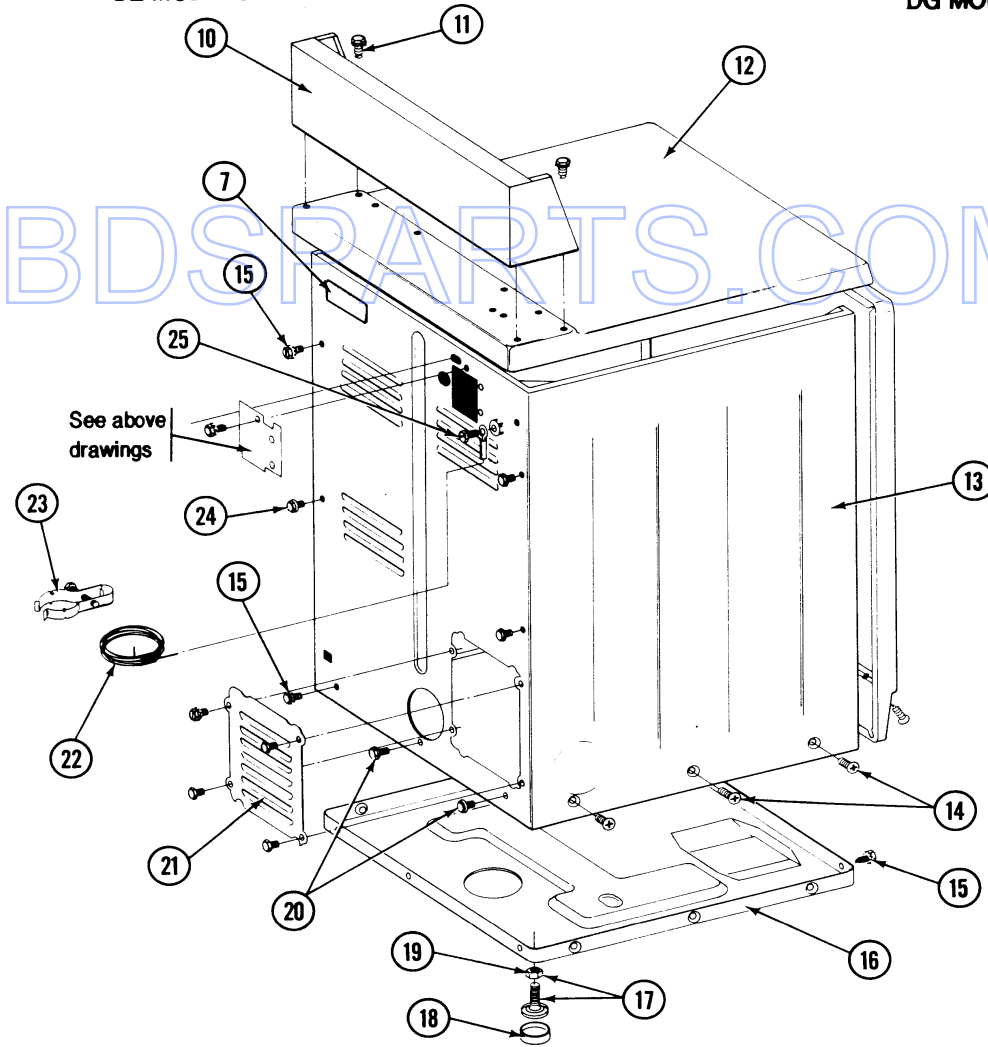


DE MODELS

CET APPAREIL DOIT ETRE CORRECTEMENT BRANCHE  
A UN FIL DE TERRE POUR EVITER TOUT DANGER  
POSSIBLE DUE A UN CHOC ELECTRIQUE  
THIS APPLIANCE MUST BE GROUNDED ACCORDING  
TO THE REQUIREMENTS OF NATIONAL AND LOCAL  
CODES IN ORDER TO AVOID THE POSSIBILITY OF  
HAZARD DUE TO ELECTRICAL SHOCK



DG MODELS



See above  
drawings

5/92

**Section: REAR**

No.	Part No.	Description	Series	Qty
1	N 313561	SCREW----NA	A0	1
1	Y312905	COVER, TERMINAL	A0	1
2	Y312184	STRAP, GROUND	A0	1
2	Y311423	SCREW, #10-32 X 1/2 INCH	A0	2
3	400008	BLOCK, TERMINAL	A0	1
3	Y312209	SCREW, #10-24 X 3/4 INCH----O	A0	2
4	Y310632	SCREW	A0	1
4	N 313561	SCREW----NA	A0	1
4	Y312904	BRACKET, TERMINAL BLOCK	A0	1
5	Y311270	WASHER, TERMINAL BLOCK	A0	3
6	311484	NUT, TERMINAL BLOCK	A0	9
8	305168	CORD, POWER (CANADA)	A0	1
10	N 306689	CONTROL COVER (WHT)	A0	1
11	212276	SCREW	A0	4
12	307105	TOP COVER ASSY. (WHT) Note: TOP COVER ASSY. (WHT)	A0	1
13	N 307124	CABINET (WHT)	A0	1
14	213007	SCREW, CABINET	A0	6
15	N 313561	SCREW----NA	A0	1
16	Y303361	BASE ASSY.	A0	1
17	Y305086	ADJUSTABLE LEG & NUT	A0	4
18	Y314137	FOOT, RUBBER	A0	4
19	Y052740	NUT	A0	4
20	Y310632	SCREW	A0	3
21	211294	SCREW	A0	3
21	Y313559	SCREW	A0	1
21	Y312951	COVER, ACCESS	A0	1
22	311155	GROUND WIRE	A0	1
23	N 312122	SCREW	A0	1
23	301548	CLAMP, GROUND (W/SCREW)	A0	1
24	Y310632	SCREW	A0	3
25	303846	SCREW & WASHER ASSY.	A0	1

\*Color Code (-)=Not Shown #=Series, Serial Prefix or Run No., N=Not Available

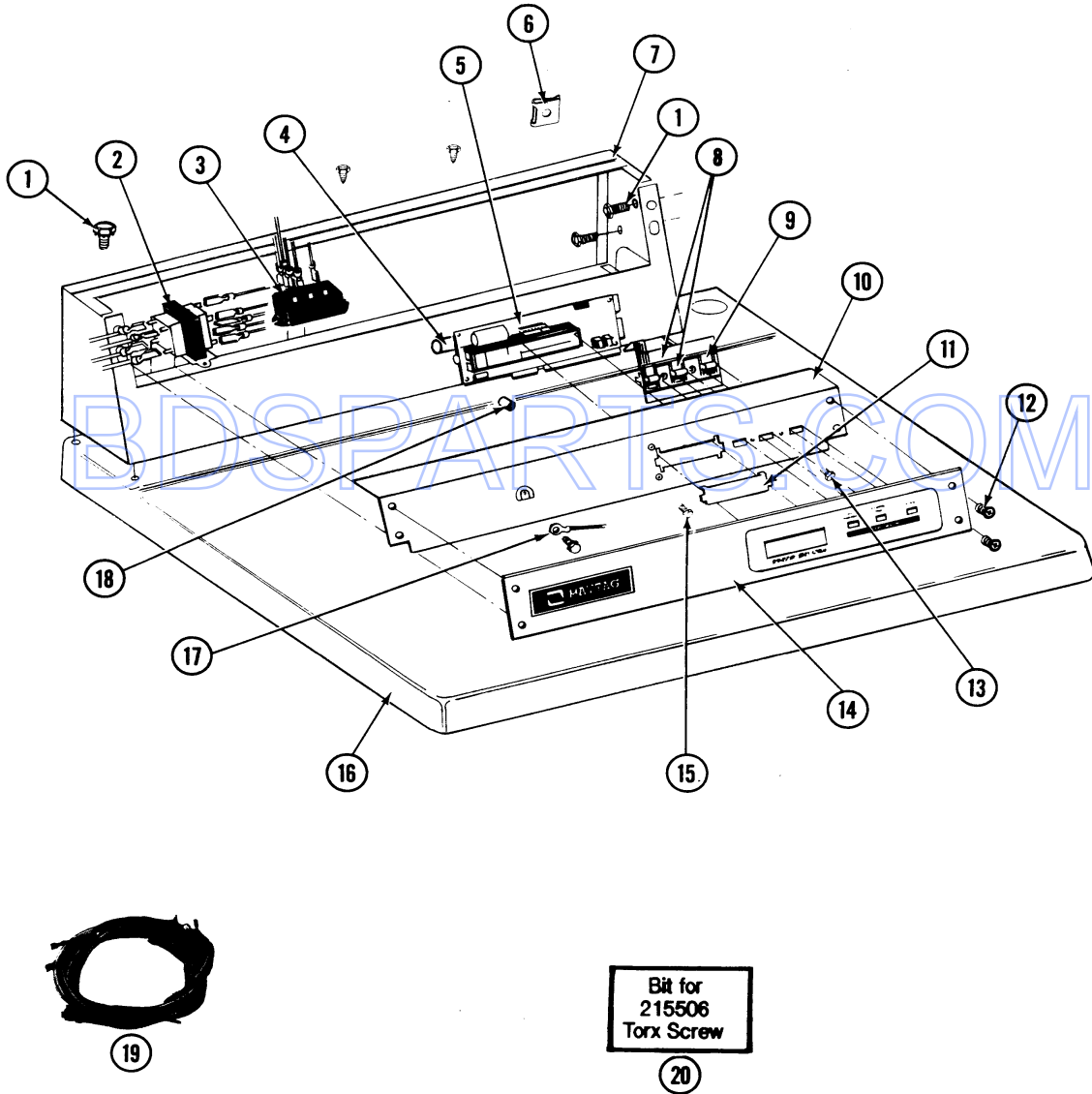
Section: PC CONTROL PANEL

Model: MDE26PCACW

Section: PC CONTROL PANEL

P/N 16000340

Models: MDE-MDG26PC



5/92

12

MA103B1

## Section: PC CONTROL PANEL

No.	Part No.	Description	Series	Qty
1	212276	SCREW	A0	6
2	211294	SCREW	A0	2
2	207766	TRANSFORMER	A0	1
3	206824	RELAY, SPST 24VDC Note: RELAY, MOTOR	A0	1
3	211294	SCREW	A0	2
4	206828	BATTERY	A0	1
5	N 206781	CIRCUIT BOARD ASSY	A0	1
5	215510	SUPPORT, PC BOARD	A0	2
6	215003	FASTENER	A0	2
7	N 306689	CONTROL COVER (WHT)	A0	1
-	212276	SCREW	A0	2
8	306694	BACKUP PLATE WITH SWITCH	A0	1
9	215517	PUSHBUTTON	A0	1
10	N 314811	BACK BRACKET, CONTROL PANEL Note: BACK-UP PLATE (WHT)	A0	1
11	215515	DISPLAY COVER	A0	1
12	215506	SCREW, TORX	A0	4
13	215527	SCREW	A0	2
14	N 314812	CONTROL PANEL	A0	1
15	215526	SCREW	A0	2
16	307105	TOP COVER ASSY. (WHT) Note: TOP COVER ASSY. (WHT)	A0	1
17	205810	WIRE, GROUND	A0	1
17	211252	SCREW	A0	1
18	Y215513	SPACER CIRCUIT BOARD	A0	4
19	N 307451	WIRE HARNESS	A0	1
19	N 308300	WIRE HARNESS	A3	1
20	Y038227	TORX BIT (TX20H)	A0	1

\*Color Code (-)=Not Shown #=Series, Serial Prefix or Run No., N=Not Available

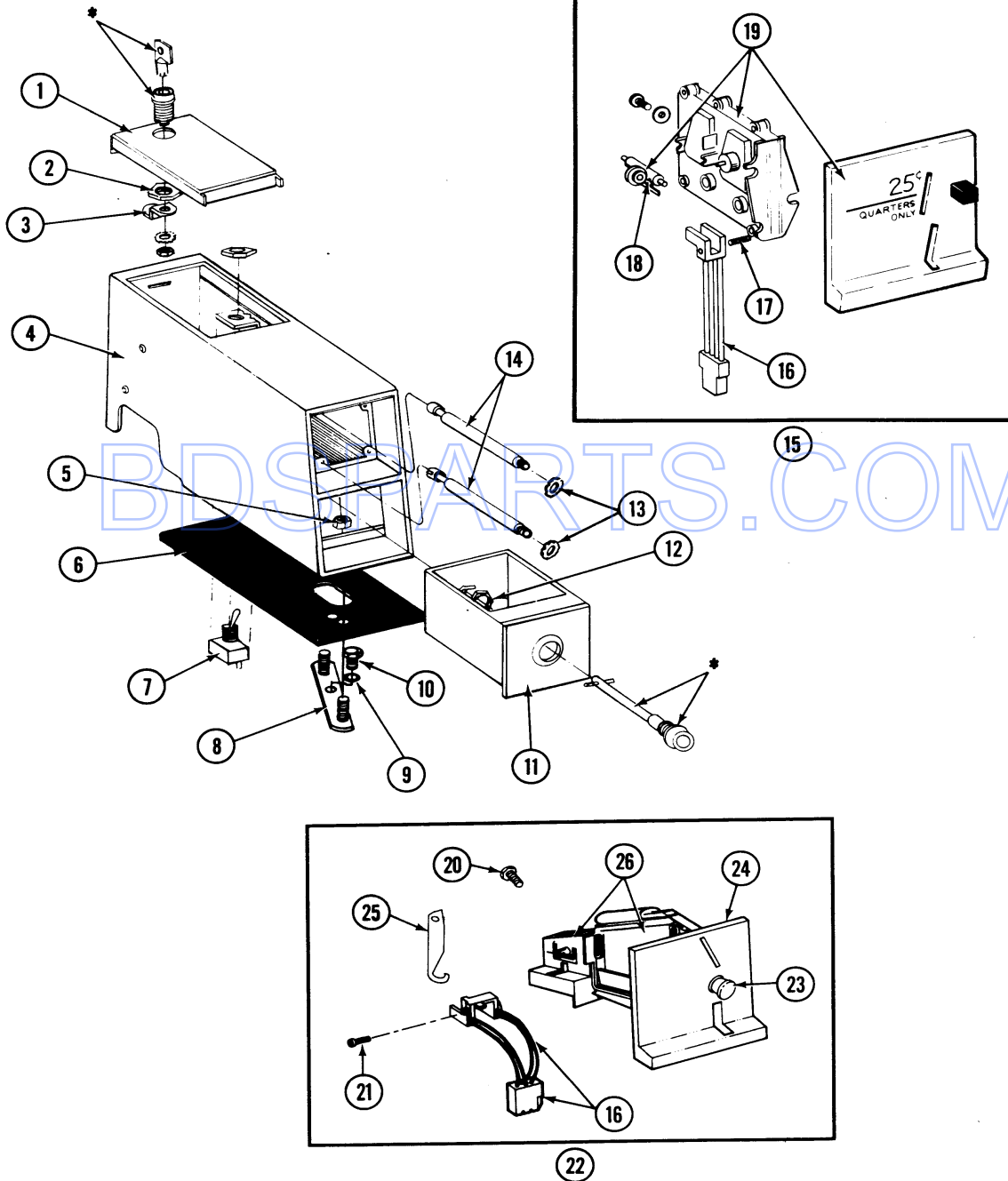
Section: PC CONTROL CENTER

Model: MDE26PCACW

Section: PC CONTROL CENTER

P/N 16000340

Models: MDE-MDG26PC



\* Contact your Commercial Distributor for lock, keys & accessories

5/92



## Section: PC CONTROL CENTER

No.	Part No.	Description	Series	Qty
1	203188	DOOR, ACCESS (WHT)	A0	1
2	212328	NUT, HEX	A0	1
3	213750	LOCKING CAM	A0	1
-	207940	CASE, COIN METER (WHT)	A0	1
4	207673	CONTROL CENTER CASE WHT Note: CONTROL CENTER CASE (WHT)	A0	1
5	Y052740	NUT	A0	1
6	214660	GASKET, METER CASE	A0	1
7	206794	SWITCH	A0	1
8	N 203307	MTG. STRAP----NA	A0	1
9	910309	WASHER	A0	1
10	211294	SCREW	A0	1
11	207912	BOX, COIN (WHT)----SUB Note: BOX, COIN (WHT)	A0	1
12	212328	NUT, HEX	A0	1
13	910181	LOCK WASHER	A0	2
14	213035	BOLT, LOCKING	A0	2
15	N 207572	COIN DROP ASSY.	A0	1
16	206799	SWITCH, OPTIC ASSY.	A0	1
17	314665	SCREW	A0	1
18	N 314714	BALANCE ARM W/WEIGHT-\$.25	A0	1
19	N 207571	COIN REJECTOR	A0	1
20	N 311863	SCREW FOR CAUTION PLATE----NA	A0	3
21	314665	SCREW	A0	3
22	207948	COIN DROP ASSY. (25 CENTS)	A0	1
23	216009	BUTTON, RETURN	A0	1
24	216010	PLATE, MOUNTING	A0	1
25	216011	SPRING, BUTTON	A0	1
26	207947	REJECTOR, COIN (25 CENTS)	A0	1

\*Color Code (-)=Not Shown #=Series, Serial Prefix or Run No., N=Not Available

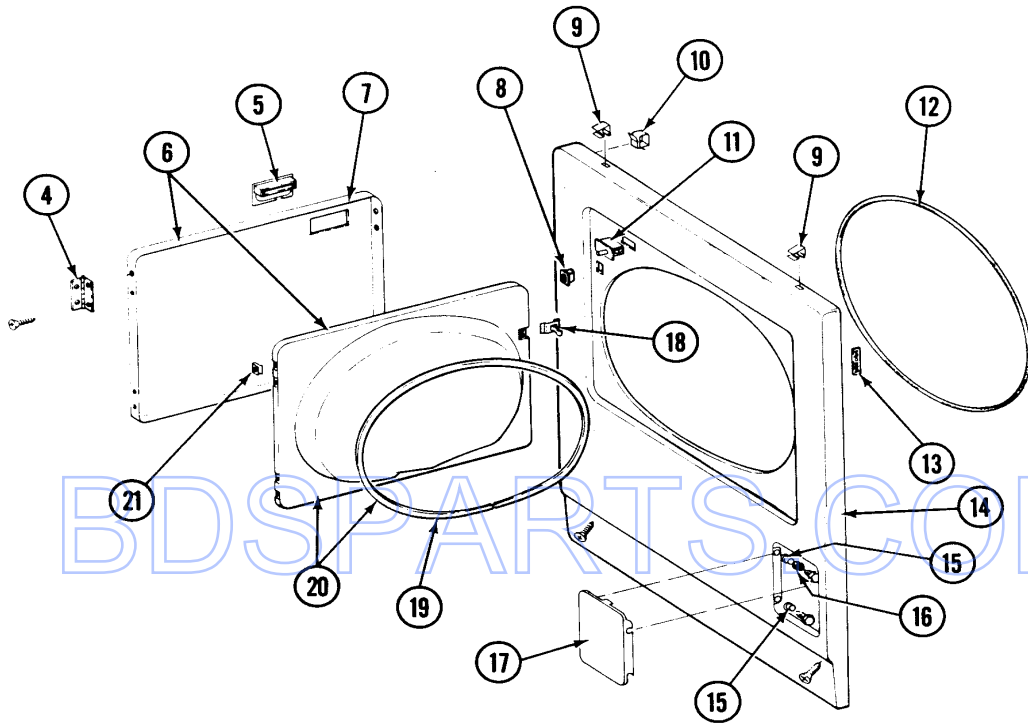
Section: FRONT PANEL

Model: MDE26PCACW

Section: FRONT PANEL

P/N 16000340

Models: ALL MODELS



**YOU WILL NOT GET GOOD RESULTS UNLESS YOU CLEAN THE LINT SCREEN FIRST.**

1

**WARNING - TO AVOID FIRE HAZARD, INCLUDING SPONTANEOUS COMBUSTION DO NOT DRY ARTICLES CONTAINING FOAM RUBBER OR SIMILARLY TEXTURED RUBBER-LIKE MATERIALS OR ANY MATERIAL ON WHICH YOU HAVE USED A CLEANING SOLVENT OR WHICH CONTAINS FLAMMABLE LIQUID OR SOLIDS (SUCH AS GASOLINE, KEROSENE, WAXES, ETC.).**

**CAUTION - DRY ONLY FABRICS CLEANED IN WATER. BE SURE TO CLEAN LINT FILTER BEFORE EACH LOAD. A CLOTHES DRYER PRODUCES COMBUSTIBLE LINT AND THE AREA AROUND THE CLOTHES DRYER SHOULD BE KEPT FREE OF LINT. THIS DRYER MUST BE INSTALLED WITH AN EXHAUST VENT TO THE OUTDOORS.**

**ATTENTION - NE SÈCHER QUE DES TISSUS LAVÉS DANS L'EAU POUR ÉVITER TOUTE POSSIBILITÉ DE FEU OU D'INCENDIE PAR COMBUSTION SPONTANÉE. NE PAS SÈCHER DANS LA SÈCHEUSE DES ARTICLES CONTENANT DU CAOUTCHOUC - MOUSSE OU FORMES DE CAOUTCHOUC - MOUSSE UNE SÈCHEUSE À L'INTÉRIEUR DE LA MOUSSE COMBUSTIBLE ET IL EST RECOMMANDÉ DE GARDER LA ZONE DE LA SÈCHEUSE PROPRE ET EXEMPTÉ DE MOUSSE. ASSUREZ-VOUS DE NETTOYER LE FILTRE AVANT CHAQUE USAGE. L'INSTALLATION DE CETTE SÈCHEUSE DOIT COMPORTER UN ÉVÉNEMENT VERS L'EXTÉRIEUR.**

2

**WARNING - TO AVOID FIRE HAZARD, INCLUDING SPONTANEOUS COMBUSTION DO NOT DRY ARTICLES CONTAINING FOAM RUBBER OR SIMILARLY TEXTURED RUBBER-LIKE MATERIALS OR ANY MATERIAL ON WHICH YOU HAVE USED A CLEANING SOLVENT OR WHICH CONTAINS FLAMMABLE LIQUIDS OR SOLIDS (SUCH AS GASOLINE, KEROSENE, WAXES, ETC.).**

**CAUTION - DRY ONLY FABRICS CLEANED IN WATER. BE SURE TO CLEAN LINT FILTER BEFORE EACH LOAD. A CLOTHES DRYER PRODUCES COMBUSTIBLE LINT AND THE AREA AROUND THE CLOTHES DRYER SHOULD BE KEPT FREE OF LINT. THIS DRYER SHOULD BE EXHAUSTED TO THE OUTSIDE.**

**GAS DRYERS ONLY - EQUIPPED WITH AN INTERMITTENT TYPE IGNITION DEVICE.**

3

## Section: FRONT PANEL

No.	Part No.	Description	Series	Qty
1	Y313340	LABEL, LINT SCREEN INSTRUCTION Note: LABEL, LINT SCREEN INSTR.	A0	1
2	314941	LABEL, INSTRUCTION	A0	1
3	N 314942	INSTRUCTION LABEL Note: PART NOT USED	A0	1
4	Y314062	SCREW	A0	8
4	307099	HINGE	A0	2
5	314946	HANDLE WHITE Note: HANDLE (WHT)	A0	1
-	312960	SCREW - INLET DUCT Note: SCREW, INLET DUCT	A0	1
6	Y307111	DOOR ASSY. COMPLETE (WHT) Note: DOOR ASSY. COMPLETE (WHT)	A0	1
7	314966	PANEL, OUTER (WHT) Note: PANEL, OUTER (WHT)	A0	1
8	306436	DOOR LATCH KIT--W	A0	1
9	212982	FASTENER, PANEL	A0	2
10	Y310376	CLIP, WIRE HARNESS	A0	1
11	Y305753	SWITCH, DOOR	A0	1
12	314937	SEAL, FRONT PANEL	A0	1
13	Y313907	TWIN FASTENER	A0	2
-	204439	SCREW & FSTNER ASSY(FRT.PANEL) Note: SCREW & FSTNER ASSY (FT.PNL)	A0	1
14	N 308000	PANEL, FRONT (WHT)	A0	1
-	314944	STRIKE PLATE	A0	1
18	314936	DOOR STRIKE	A0	1
19	314935	DOOR SEAL	A0	1
20	307098	DOOR, INNER (W/SEAL)	A0	1
21	Y313910	CLIP, DOOR LINER TO OUTER PNL Note: CLIP, DOOR LINER (OUTER PNL)	A0	9

\*Color Code (-)=Not Shown #=Series, Serial Prefix or Run No., N=Not Available

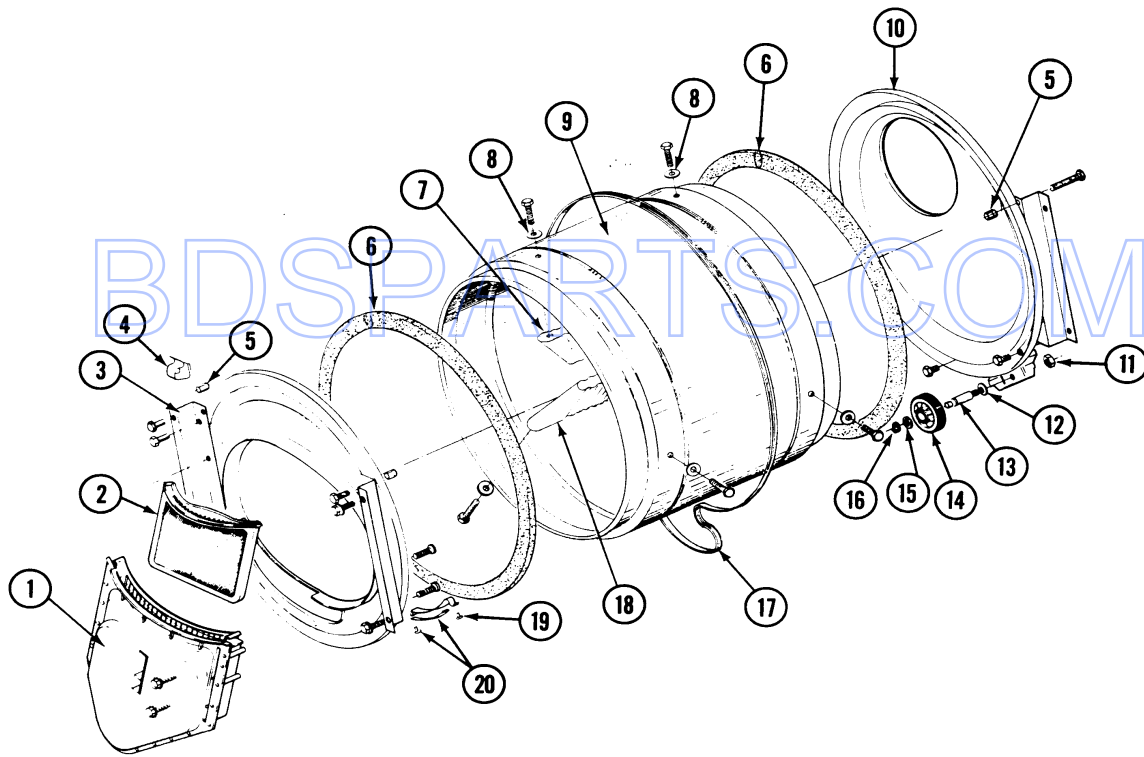
Section: TUMBLER

Model: MDE26PCACW

P/N 16000340

Section: TUMBLER

Models: ALL MODELS



5/92

26

MA103C1

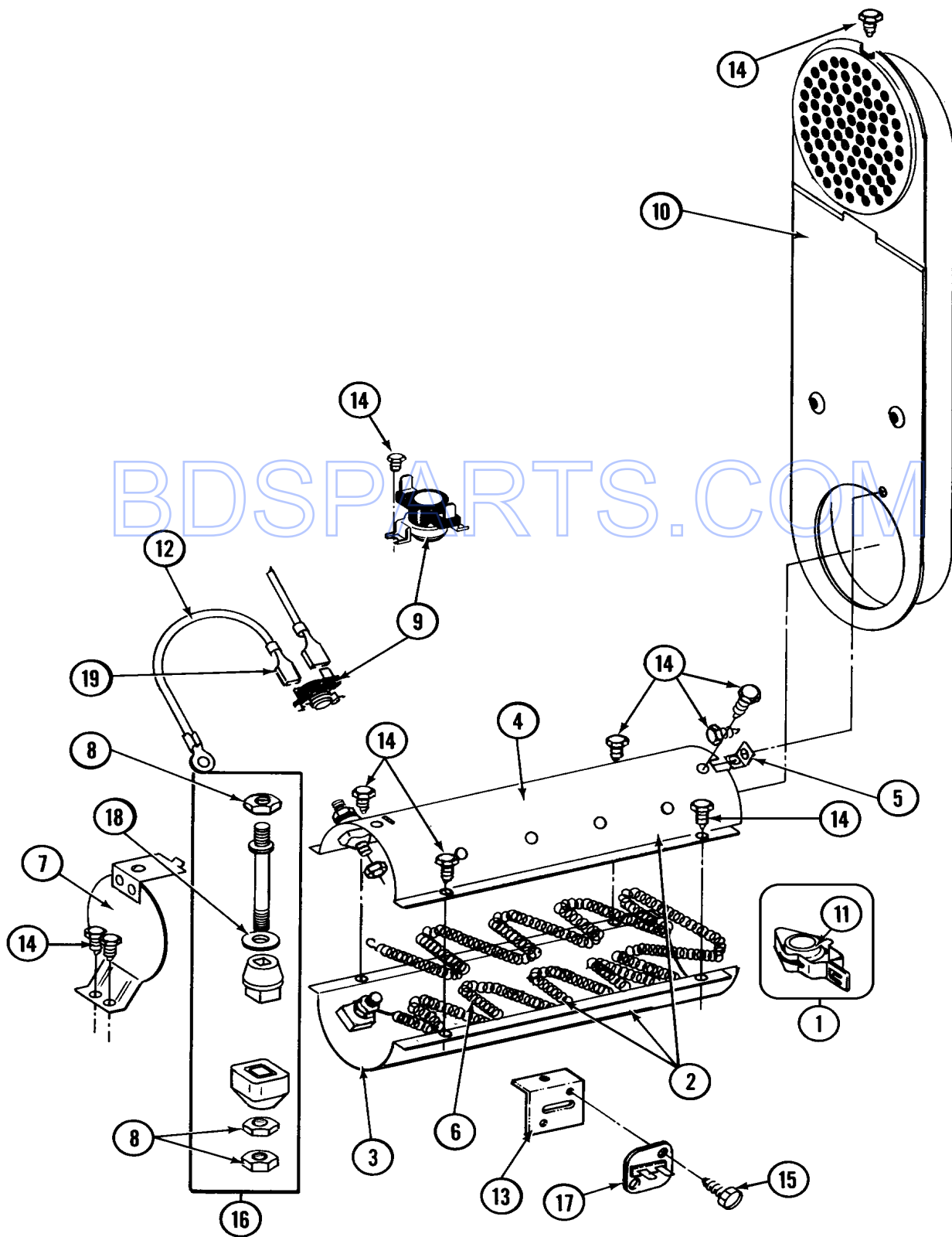
## Section: TUMBLER

No.	Part No.	Description	Series	Qty
1	Y307112	DUCT, OUTLET ASSY.	A0	1
-	Y314110	SCREW, INLET DUCT ----S	A0	4
2	307108	SCREEN, LINT	A0	1
-	N 313764	SCREW	A0	4
3	307109	FRONT, TUMBLER (W/SEAL)	A0	1
-	N 313561	SCREW----NA	A0	1
-	Y310632	SCREW	A0	3
4	Y310376	CLIP, WIRE HARNESS	A0	1
5	N 313915	COVER, THREAD	A0	4
6	314820	SEAL, TUMBLER	A0	2
-	Y310759	SCREW	A0	6
7	314803	BAFFLE (SHORT)	A0	1
8	314158	WASHER	A0	6
9	306663	TUMBLER W/BAFFLES	A0	1
9	314802	TUMBLER W/OUT BAFFLES	A0	1
10	Y307114	BACK, TUMBLER (W/SEAL) ---S	A0	1
-	211294	SCREW	A0	3
10	Y308544	BACK, TUMBLER (W/SEAL) ---S	A5	1
11	312538	NUT, ROLLER SHAFT	A0	2
12	Y313347	WASHER,SPRING(ROLLER SHAFT)--S	A0	2
13	Y312948	SHAFT, TUMBLER ROLLER---C	A0	2
14	Y303373	BEARING & ROLLER ASSEMBLY	A0	2
15	312535	WASHER, ROLLER SHAFT	A0	2
16	410233	RING, RETAINING	A0	4
17	Y312959	BELT, TUMBLER & MOTOR	A0	1
-	Y310759	SCREW	A0	6
18	314804	BAFFLE (TALL)	A0	2
19	210720	RIVET	A0	4
20	306508	TUMBLER BEARING KIT	A0	2

\*Color Code (-)=Not Shown #=Series, Serial Prefix or Run No., N=Not Available

Section: HEATER (A3 SERIES)

Model: MDE26PCACW



LD15-8

**Section: HEATER (A3 SERIES)**

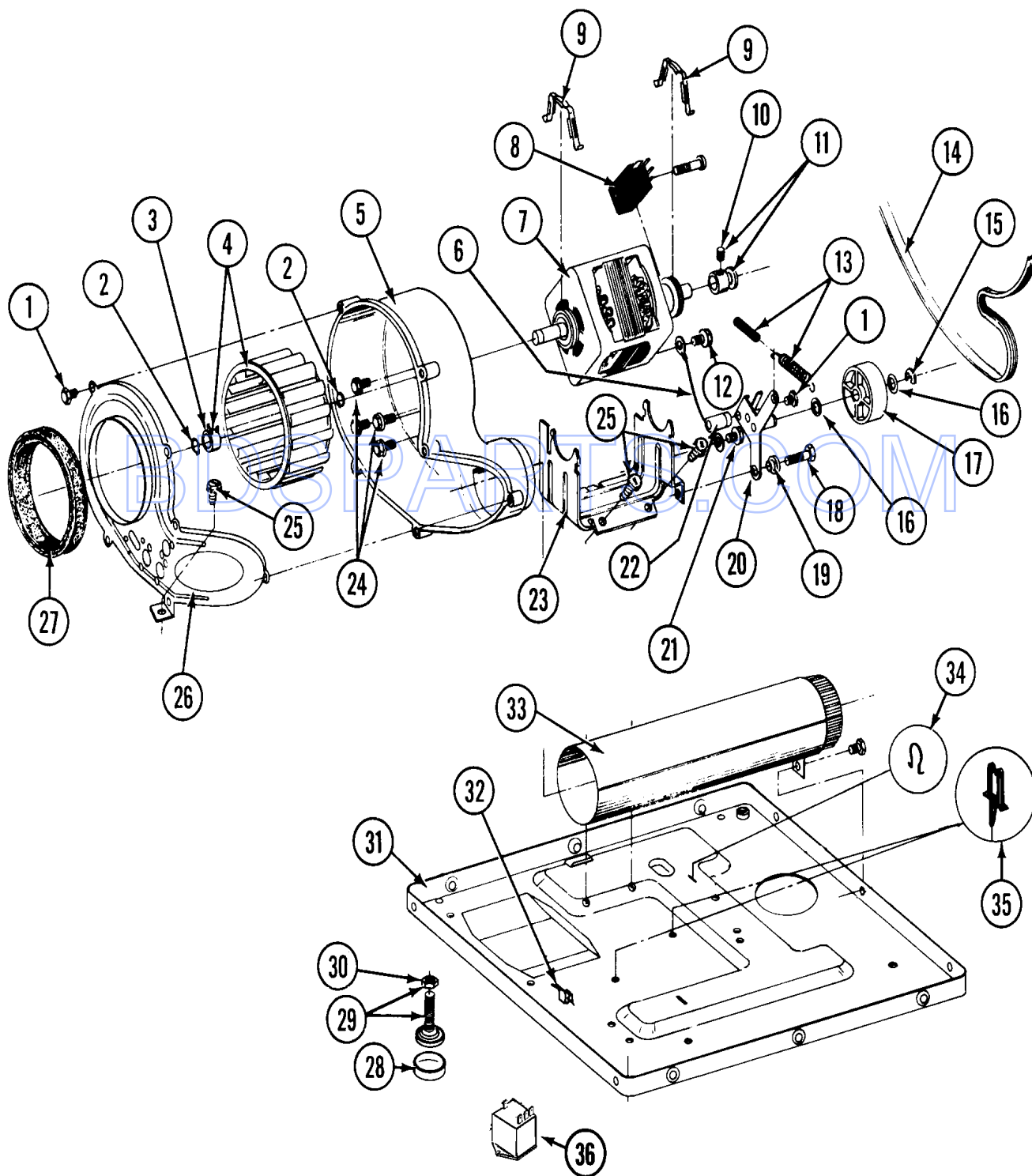
No.	Part No.	Description	Series	Qty
1	211294	SCREW	A3	8
2	N 307120	INLET DUCT ASSY.	A3	1
3	314995	HEATER ENCLOSURE	A3	1
4	315346	BRACKET, THERMAL FUSE Note: PART NOT USED	A3	1
5	314848	SCREW Note: PART NOT USED	A3	2
6	307473	FUSE, THERMAL Note: PART NOT USED	A3	1
7	314998	INSULATOR, TERMINAL	A3	2
8	307185	HEATER SUB-ASSEMBLY (240V)	A3	1
9	314999	SHIELD, RADIANT	A3	1
10	N 314554	SCREW	A3	2
11	Y307173	WIRE, JUMPER	A3	1
11	303396	THERMOSTAT, HI-LIMIT (ELEC)	A3	1
12	Y308259	HEATER ASSY 240V Note: HEATER ASSY. COMPLETE (240V)	A3	1

BDSPARTS.COM

\*Color Code (-)=Not Shown #=Series, Serial Prefix or Run No., N=Not Available

Section: MOTOR DRIVE, BLOWER & BASE FRAME

Model: MDE26PCACW



LD14-20



## Section: MOTOR DRIVE, BLOWER & BASE FRAME

No.	Part No.	Description	Series	Qty
1	Y312961	SCREW	A0	6
2	410233	RING, RETAINING	A0	2
3	312967	CLAMP, BLOWER HOUSING	A0	1
4	Y303836	BLOWER WHEEL ASSEMBLY & CLAMP	A0	1
5	Y312893	HOUSING, BLOWER	A0	1
6	901220	WIRE, GROUND	A0	1
7	Y303358	MOTOR ---C	A0	1
8	Y303877	SWITCH, MOTOR----C Note: PRODUCTION #3-3358-2, 3-3358-4& 3-3358-7	A0	1
8	Y303879	SWITCH, MOTOR STARTPROD. Note: SWITCH, MOTOR START-PROD. #3-3358 & 3-3358-6	A0	1
8	N 306207	SWITCH, MOTOR START-PROD. Note: #3-3358-8 & 3-3358-9	A0	1
9	Y015825	CLIP, MOTOR	A0	2
10	Y053241	SET SCREW, PULLEY	A0	1
11	Y305185	PULLEY, MOTOR (W/SET SCREW)	A0	1
12	910343	SCREW, GROUND WIRE	A0	1
13	Y303945	IDLER SPRING ASSEMBLY	A0	1
14	Y312959	BELT, TUMBLER & MOTOR	A0	1
15	312958	RETAINING RING, IDLER SHAFT	A0	2
16	Y312527	WASHER, IDLER SHAFT (QTY-1)	A0	2
17	Y303705	PULLEY, IDLER	A0	1
18	Y014874	SCREW	A0	1
19	Y312894	SLEEVE, IDLER ARM ----S	A0	1
20	Y303363	IDLER ARM & SHAFT ASSY.	A0	1
21	211294	SCREW	A0	1
22	Y313582	SPACER, IDLER BRACKET	A0	1
23	N 312897	SUPPORT, MOTOR	A0	1
24	Y310632	SCREW	A0	5
25	N 313561	SCREW----NA	A0	3
26	314778	COVER FOR BLOWER Note: COVER, BLOWER	A0	1
27	Y312901	SEAL, BLOWER	A0	1
28	210684	FOOT, RUBBER	A0	4
29	Y302699	LEG, ADJUSTABLE (W/NUT)---S	A0	4
30	210385	NUT, LOCK	A0	4
31	Y303361	BASE ASSY.	A0	1
32	Y310376	CLIP, WIRE HARNESS	A0	1
33	Y303442	EXHAUST DUCT ASSY.	A0	1
34	410490	SPRING, WIRE HARNESS	A0	1
35	Y313262	RETAINER, WIRE HARNESS	A0	3
36	306199	RELAY, HEATER	A0	1

\*Color Code (-)=Not Shown #=Series, Serial Prefix or Run No., N=Not Available

Section: THERMOSTATS

Model: MDE26PCACW

Section: THERMOSTATS

P/N 16000340

Models: ALL MODELS



Used On: All  
DE & DG Models

①



Used On:  
DE-DG26CD

②



Used On:  
DE-DG26CA-CT

③



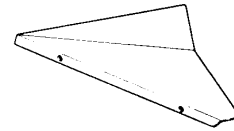
Used On:  
DG26CA-CT

④



Used On:  
DE26CA-CT

⑤



Used On:  
DE Models

⑥

BDSPARTS.COM

## Section: THERMOSTATS

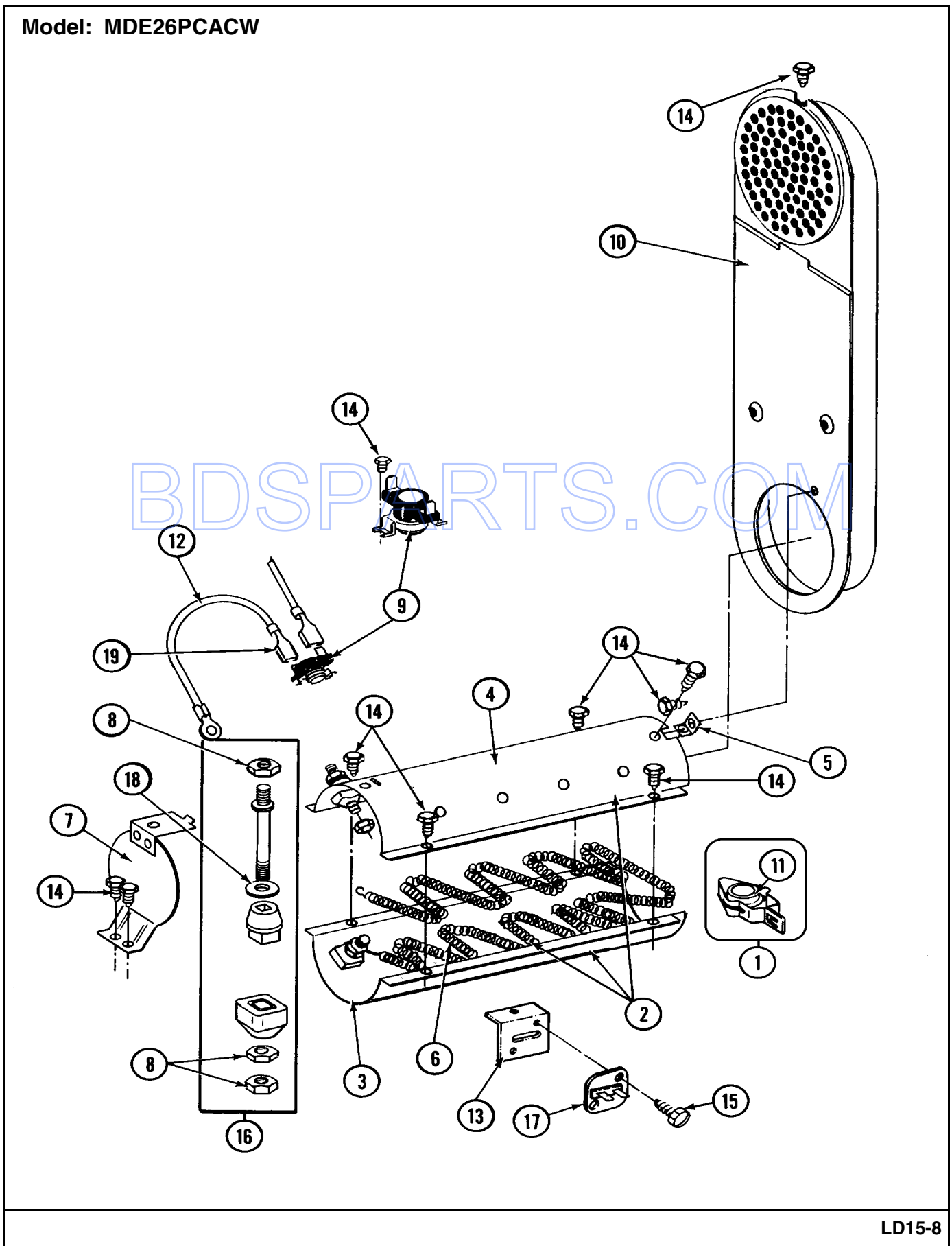
No.	Part No.	Description	Series	Qty
1	303392	CYCLING THERMOSTAT 140 DEG Note: CYCLING THERMOSTAT (140 DEG.)	A0	1
-	211294	SCREW	A0	2
3	306604	CUT-OFF, THERMAL	A0	1
3	314848	SCREW	A0	2
5	306967	THERMOSTAT, MULTI-TEMP	A0	1
-	211294	SCREW	A0	2
-	Y310632	SCREW	A0	2
6	315122	COVER, THERMOSTAT	A0	1

BDSPARTS.COM

\*Color Code (-)=Not Shown #=Series, Serial Prefix or Run No., N=Not Available

Section: HEATER (A0 SERIES)

Model: MDE26PCACW



LD15-8

## Section: HEATER (A0 SERIES)

No.	Part No.	Description	Series	Qty
1	Y303881	CLIP AND INSULATOR ASSEMBLY	A0	17
2	Y303778	HEATER ASSEMBLY COMPLETE	A0	1
3	Y313576	HEATER CHAMBER, BOTTOM	A0	1
4	Y313575	HEATER CHAMBER, TOP	A0	1
5	Y312890	RETAINER, HEATER CHAMBER	A0	1
6	Y313537	HEATER ELEMENT 240 VOLT	A0	1
7	304124	HEATER SHIELD	A0	1
8	311484	NUT, TERMINAL BLOCK	A0	2
9	303396	THERMOSTAT, HI-LIMIT (ELEC)	A0	1
10 N	307120	INLET DUCT ASSY.	A0	1
11	Y313270	INSULATOR FOR HEATER ELEMEN	A0	17
12	Y304693	JUMPER WIRE	A0	1
13	315046	MOUNTING BRACKET Note: PART NOT USED	A0	1
14	211294	SCREW	A0	10
15	314848	SCREW Note: PART NOT USED	A0	2
16	Y304596	TERMINAL INSULATOR ASSEMBLY	A0	2
17	307473	FUSE, THERMAL Note: PART NOT USED	A0	1
18	311093	WASHER, 7/32 INCH	A0	2
19	210745	WIRE TERMINAL	A0	1

BDSPARTS.COM

\*Color Code (-)=Not Shown #=Series, Serial Prefix or Run No., N=Not Available

