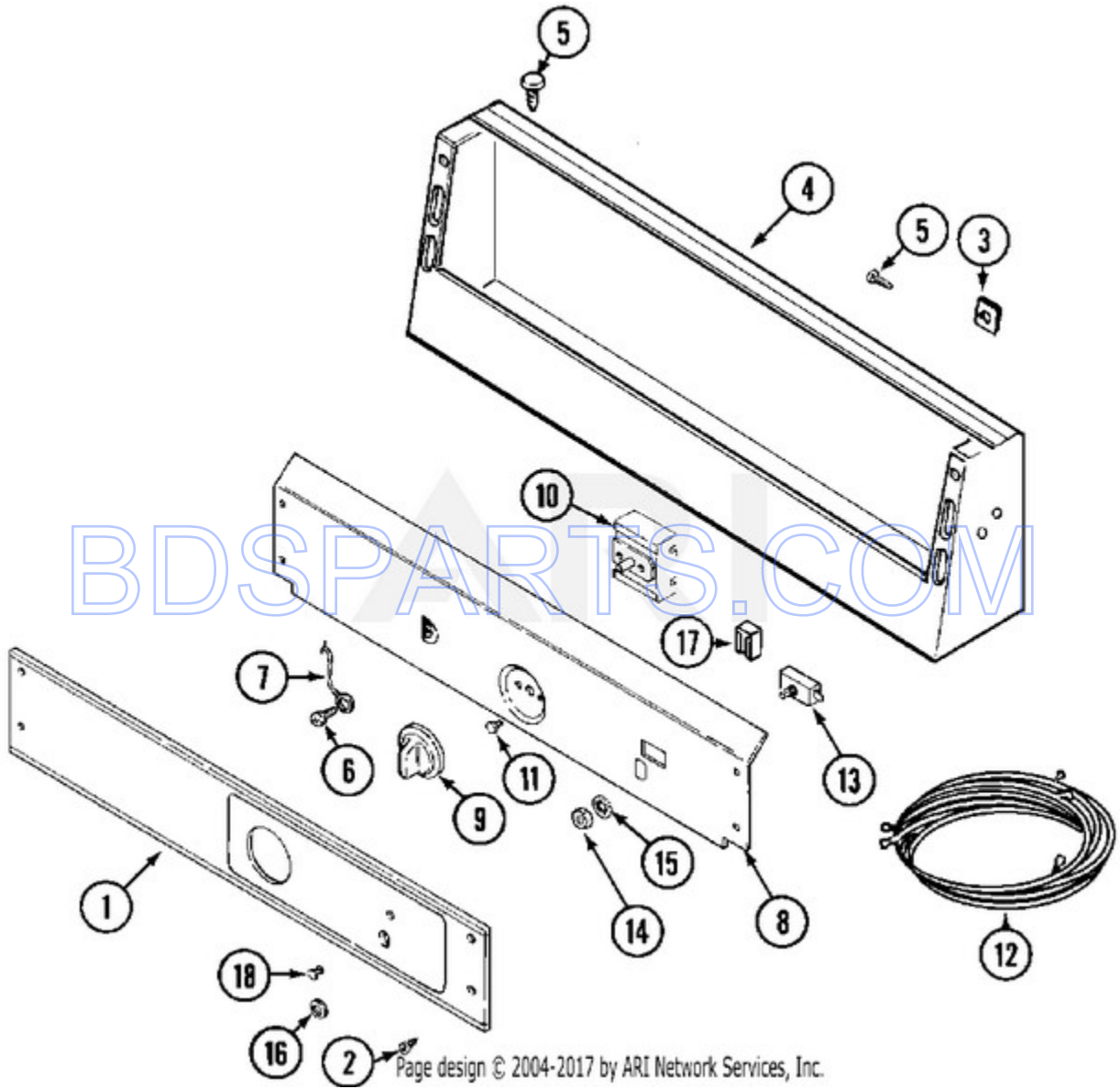
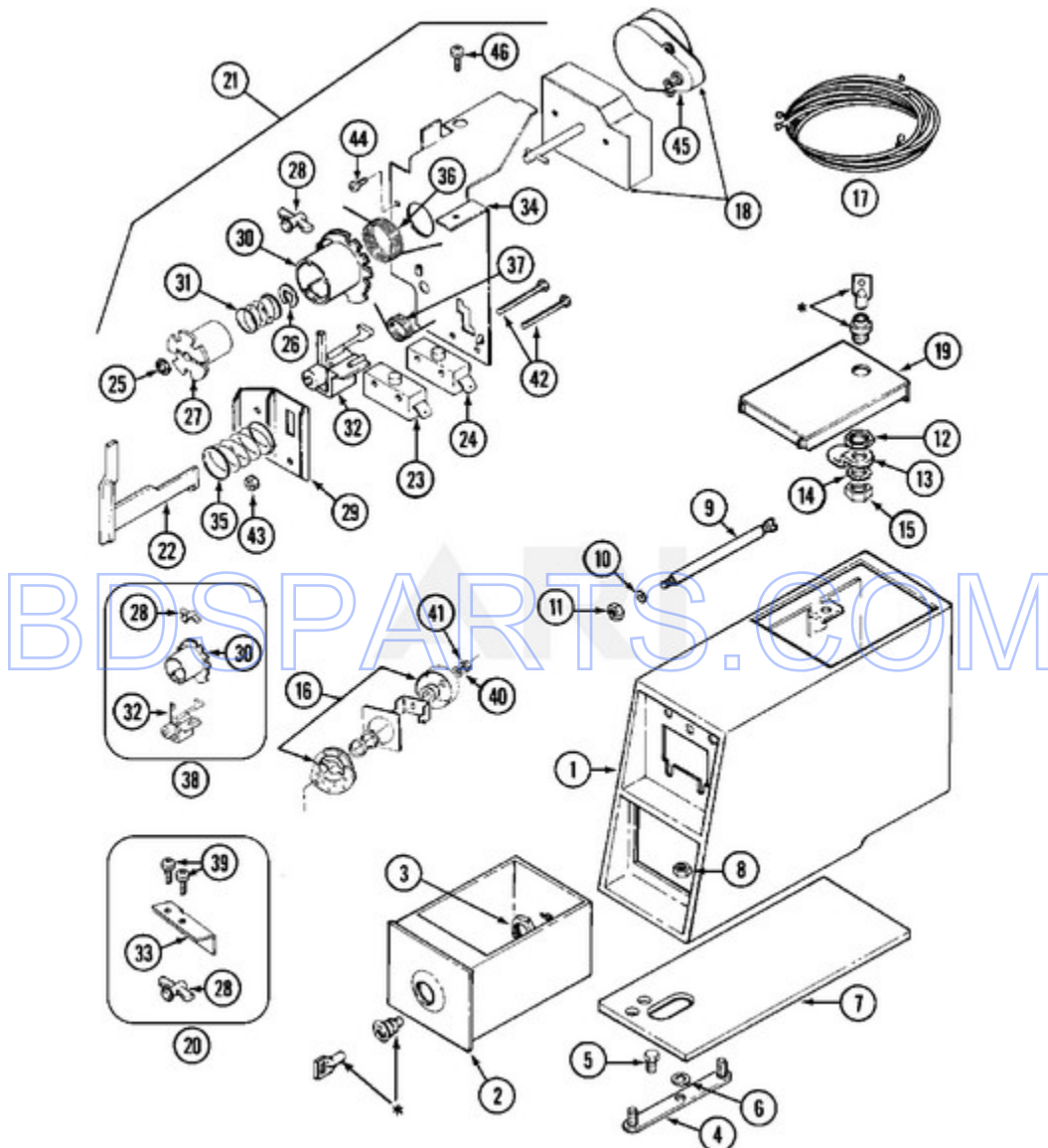


MDG10CSAAW - 01 - CONTROL PANEL



Ref #	Part #	Description	Qty	Context	Note	MSRP
1	33001022	PANEL, CONTROL	1	Series	A0	
2	215506	SCREW, CONTROL PANEL	4	Series	A0	
3	215003	FASTENER, CONTROL PANEL	2	Series	A0	
4	NLA	CONSOLE (WHT)	-	Series	A0	
5	212276	SCREW, CONSOLE	4	Series	A0	
6	211252	SCREW, GROUND WIRE	1	Series	A0	
6	Y313559	SCREW, GROUND WIRE	1	Series	A0	
7	205810	WIRE, GROUND	1	Series	A0	
8	314912	BRACKET, CONTROL PANEL (WHT)	-	Series	A0	
8	NLA	(ALM)	1	Series	A0	
9	306938	KNOB, SELECTOR	1	Series	A0	
10	307237	SWITCH, CYCLE SELECTOR	1	Series	A0	
11	Y313588	SCREW, SELECTOR SWITCH	2	Series	A0	
12	33001530	WIRE HARNESS, MAIN	1	Series	16	
12	NLA	WIRE HARNESS, MAIN---NA	1	Series	A0	
13	306940	SWITCH, PUSH-TO-START	1	Series	A0	
14	Y312706	NUT, SWITCH	1	Series	A0	
15	312751	WASHER, SWITCH	1	Series	A0	
16	Y312702	NUT, KNURLED	1	Series	A0	
17	204075	LIGHT, INDICATOR	1	Series	A0	
18	215564	LENS, INDICATOR LIGHT	1	Series	A0	

MDG10CSAAW - 02 - CONTROL CENTER



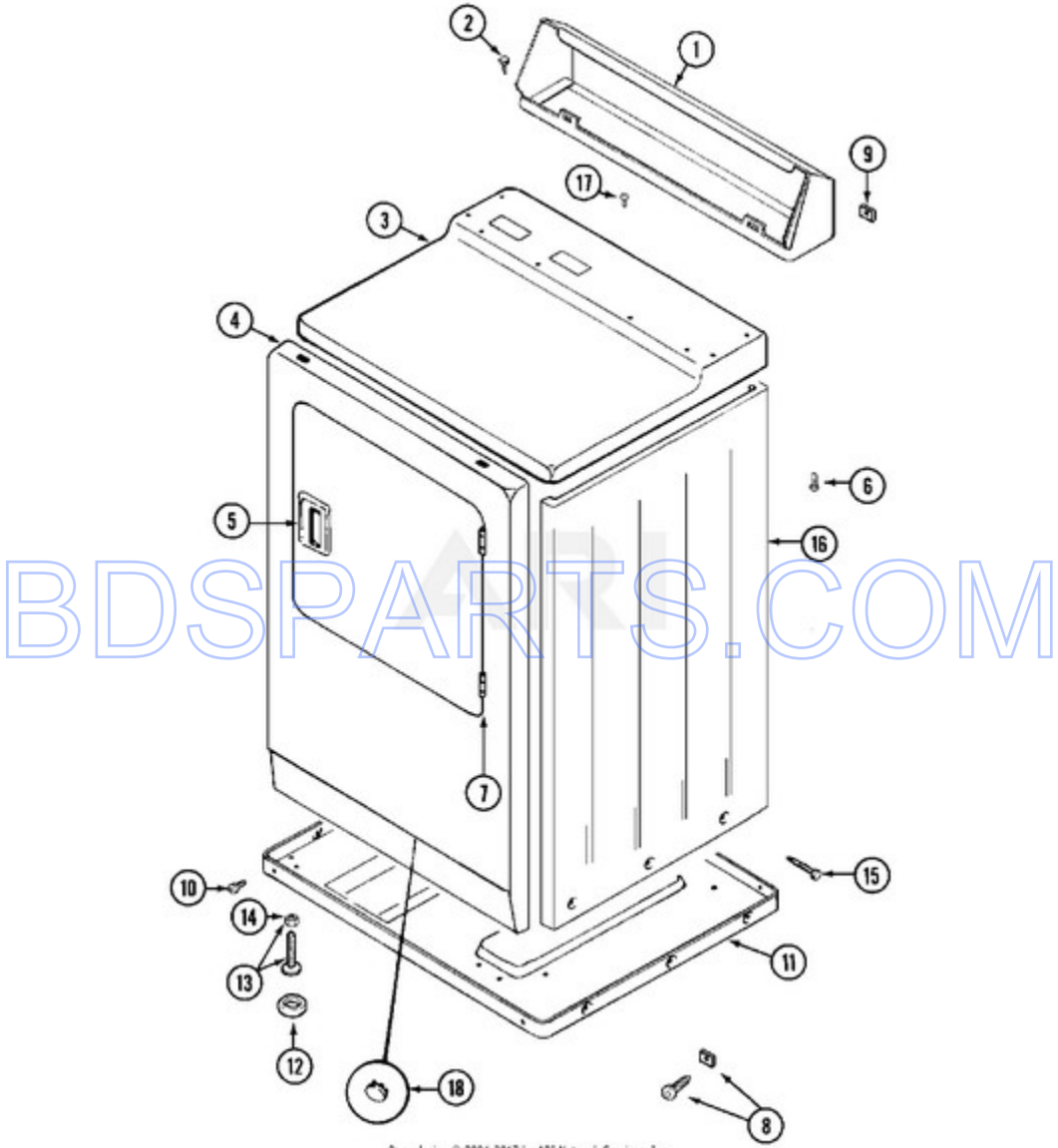
* CONTACT YOUR COMMERCIAL LAUNDRY DISTRIBUTOR
Page design © 2004-2017 by ARI Network Services, Inc.

Ref #	Part #	Description	Qty	Context	Note	MSRP
1	206952	COIN METER CASE (WHT)	-	Series	A0	
1	206952L	(ALM)	1	Series	A0	
2	207913	VAULT, COIN (WHT)	-	Series	A0	
2	NLA	(ALM)	1	Series	A0	
3	212328	NUT, LOCKING BOLT	1	Series	A0	
4	NLA	STRAP, MOUNTING	1	Series	A0	
5	211294	SCREW, MOUNTING STRAP	1	Series	A0	
6	910309	WASHER, STRAP SCREW	1	Series	A0	
7	214660	GASKET, METER CASE	1	Series	A0	
8	Y052740	NUT, CASE MOUNTING	1	Series	A0	
9	215559	BOLT, LOCKING	1	Series	A0	
10	910387	LOCKWASHER, LOCKING BOLT	1	Series	A0	
11	Y052721	NUT, LOCKING BOLT	1	Series	A0	
12	212328	NUT, CAM LOCK	1	Series	A0	
13	213750	CAM, LOCK	1	Series	A0	
14	22001354	LOCKWASHER, LOCK CAM	1	Series	A0	
15	22001355	NUT, LOCK CAM	1	Series	A0	
16	216203	LOCKWASHER, LOCK CAM	1	Series	A0	
16	NLA	LOCK CAM ASSY. NA	1	Series	A0	
17	33001195	WIRE HARNESS, TIMER	1	Series	A0	
19	204216	DOOR, ACCESS (WHT)	-	Series	A0	
19	204216L	(ALM)	1	Series	A0	
20	Y308109	ACTUATOR KIT	1	Series	A0	
21	33001275	TORSION TIMER ASSY.	1	Series	A0	
21	33002115	TIMER	1	Series	10	
22	314337	SLIDER	1	Series	A0	
23	305798	SWITCH, BY-PASS (MOTOR)	1	Series	A0	
24	Y305799	SWITCH, BY-PASS (HEATER)	1	Series	A0	
25	211790	RETAINER, SPRING	1	Series	A0	
26	Y312270	CLIP, SPRING RETAINER	1	Series	A0	
27	314330	DRIVER, INDEX WHEEL	1	Series	A0	
28	314335	PEG, TINE ADJUSTMENT	1	Series	A0	
28	314547	STOP, ADJUSTMENT RETURN	1	Series	A0	
29	314339	BRACKET, SWITCH & SLIDER	1	Series	A0	
30	314546	WHEEL, INDEX	1	Series	A0	
31	211065	SPRING, INDEX WHEEL	1	Series	A0	
32	314548	ACTUATOR, SWITCH	1	Series	A0	
33	314334	BRACKET, COIN SLIDE	1	Series	A0	
34	33001207	BRACKET, TIMER	1	Series	A0	

Ref #	Part #	Description	Qty	Context	Note	MSRP
35	NLA	SPRING, HELICAL	1		Series A0	
36	314331	SPRING, TORSION RETURN	1		Series A0	
37	314332	SPRING, ACTUATOR	1		Series A0	
38	306104	ACTUATOR KIT	1		Series A0	
39	212707	SCREW, SLIDE BRACKET	2		Series A0	
40	22001354	LOCKWASHER, CAM LOCK	1		Series A0	
41	22001355	NUT, CAM LOCK	1		Series A0	
42	315277	SCREW, BY-PASS SWITCHES	2		Series A0	
43	Y052634	NUT, BY-PASS SWITCHES	2		Series A0	
44	910708	SCREW, TIMER	2		Series A0	
46	211168	SCREW, TIMER BRACKET	1		Series A0	

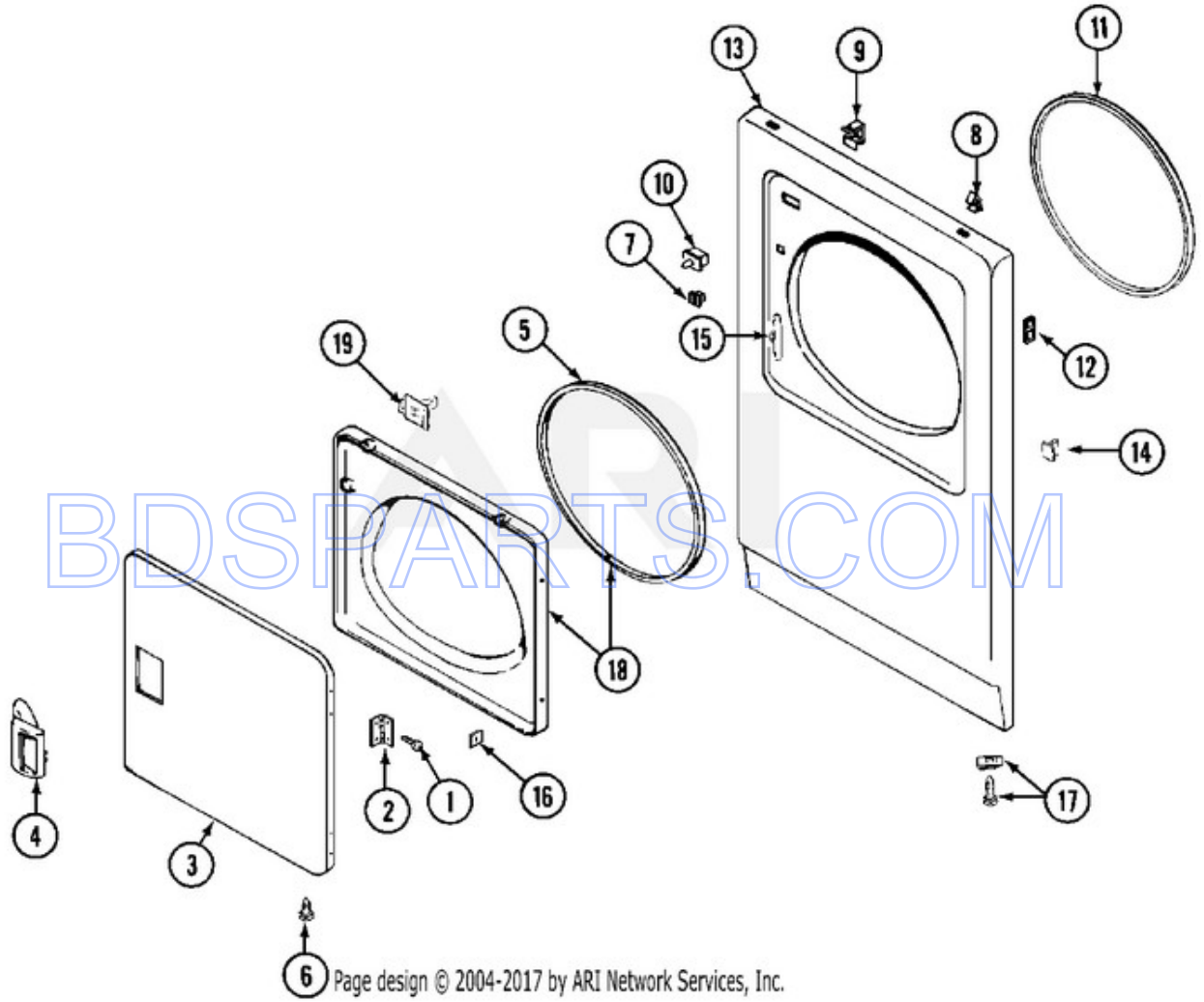
BDSPARTS.COM

MDG10CSAAW - 03 - CABINET (FRONT)



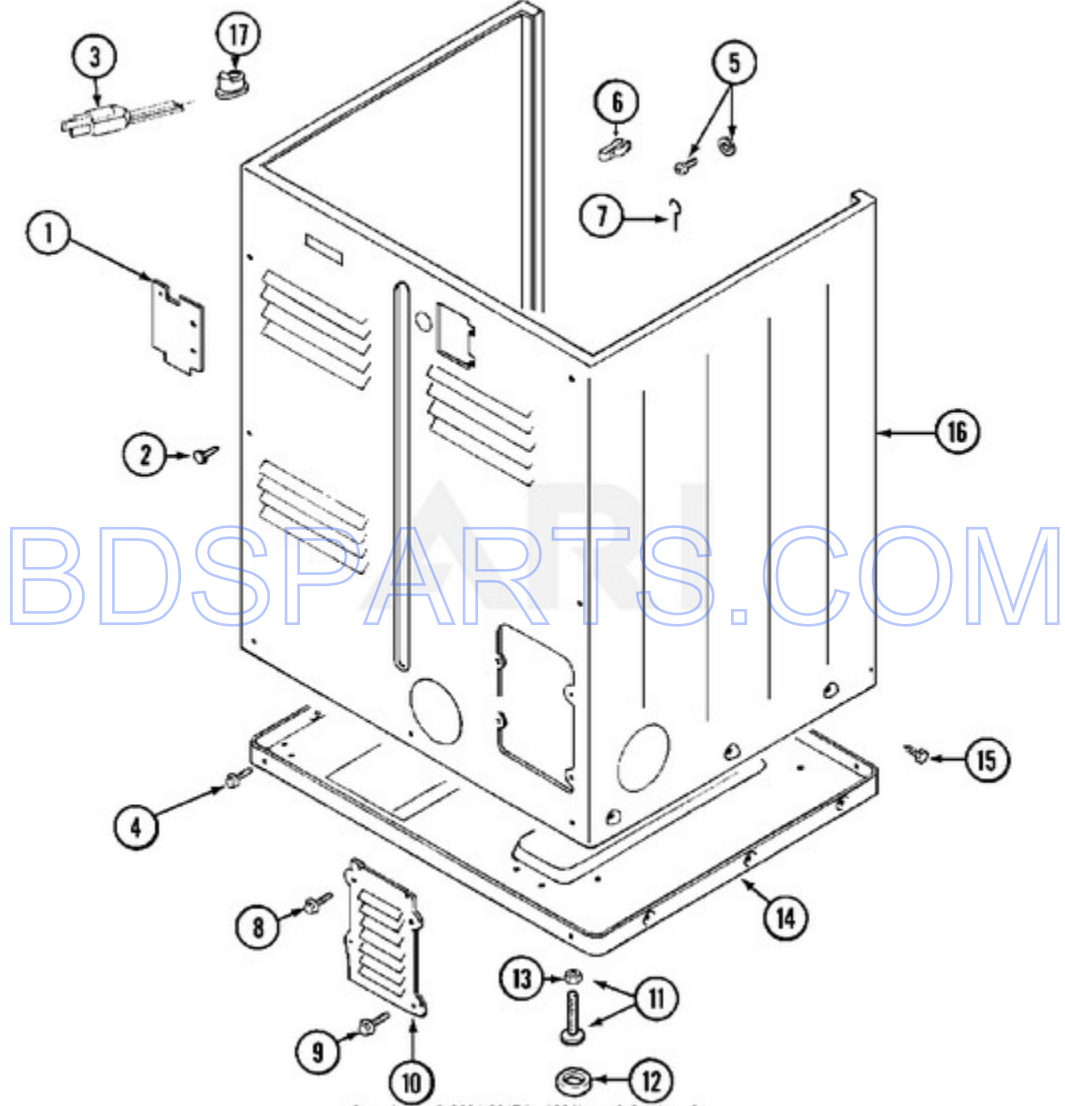
Ref #	Part #	Description	Qty	Context	Note	MSRP
1	NLA	CONSOLE (WHT)	-	Series	A0	
2	212276	SCREW, CONSOLE	4	Series	A0	
3	33001163	COVER, TOP (WHT)	-	Series	A0	
3	33001164	(ALM)	1	Series	A0	
4	NLA	PANEL, FRONT (WHT)	-	Series	A0	
5	33001241	HANDLE, DOOR (WHT)	-	Series	A0	
5	33001254	(ALM)	1	Series	A0	
6	214354	SCREW, TOP COVER	2	Series	A0	
7	33001230	HINGE, DOOR	2	Series	A0	
8	204439	SCREW & FASTENER ASSY.	1	Series	A0	
9	215075	FASTENER, CONSOLE	2	Series	A0	
10	Y313561	SCREW, CABINET	2	Series	A0	
10	Y310632	SCREW, CABINET	3	Series	A0	
11	Y303361	BASE ASSY.	1	Series	A0	
12	Y314137	FOOT, RUBBER	4	Series	A0	
13	Y305086	ADJUSTABLE LEG & NUT	4	Series	A0	
14	Y052740	NUT, LEG	4	Series	A0	
15	213007	SCREW, CABINET SIDES	6	Series	A0	
16	NLA	CABINET (WHT)	-	Series	A0	
17	210186	SCREW, GROUND CONSOLE	1	Series	A0	
18	33001132	PLUG, SIGHT HOLE (WHT)	-	Series	A0	
18	33001168	PLUG, SIGHT HOLE (ALM)	1	Series	A0	

MDG10CSAAW - 04 - DOOR



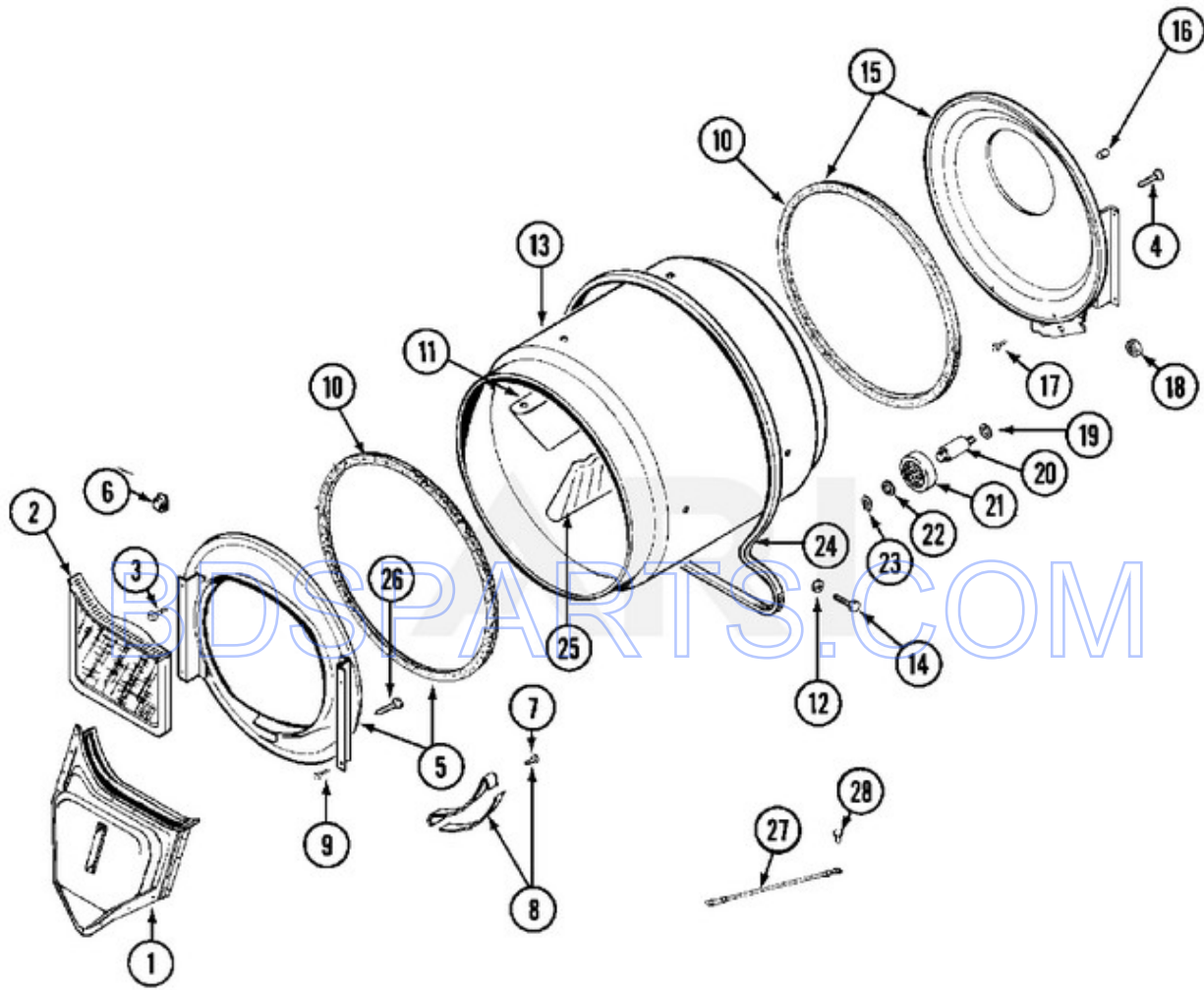
Ref #	Part #	Description	Qty	Context	Note	MSRP
1	Y314062	SCREW,HINGE,DOOR,& PANEL	14	Series	A0	
2	33001230	HINGE, DOOR	2	Series	A0	
3	33001240	DOOR (WHT)	-	Series	A0	
3	33001257	(ALM)	1	Series	A0	
4	33001241	HANDLE, DOOR (WHT)	-	Series	A0	
4	33001254	(ALM)	1	Series	A0	
5	33001131	SEAL, DOOR	1	Series	A0	
6	33001132	PLUG, SIGHT HOLE (WHT)	-	Series	A0	
6	33001168	(ALM)	2	Series	A0	
7	Y304578	CATCH, DOOR (FEMALE)	2	Series	A0	
8	212982	FASTENER, SPRING	2	Series	A0	
9	Y310376	CLIP, CABLE	1	Series	A0	
10	33001509	SWITCH, DOOR	1	Series	16	
10	Y305753	SWITCH, DOOR	1	Series	A0	
11	314937	SEAL, FRONT PANEL	1	Series	A0	
12	NLA	SPEEDNUT, HINGE SCREW	4	Series	A0	
12	NLA	SCREW, PLASTIC	4	Series	A0	
13	NLA	PANEL, FRONT (WHT)	-	Series	A0	
14	NLA	PLUG, DOOR CATCH	1	Series	A0	
15	33001175	COVER, HINGE HOLE (WHT)	-	Series	A0	
15	33001176	(ALM)	2	Series	A0	
16	Y313910	FASTENER, INNER DOOR	9	Series	A0	
17	204439	SCREW & FASTENER ASSEMBLY	1	Series	A0	
18	33001243	DOOR, INNER (W/SEAL)	1	Series	A0	
19	314936	STRIKE, DOOR	1	Series	A0	
19	314944	BRACKET, STRIKE	1	Series	A0	

MDG10CSAAW - 05 - CABINET (REAR)



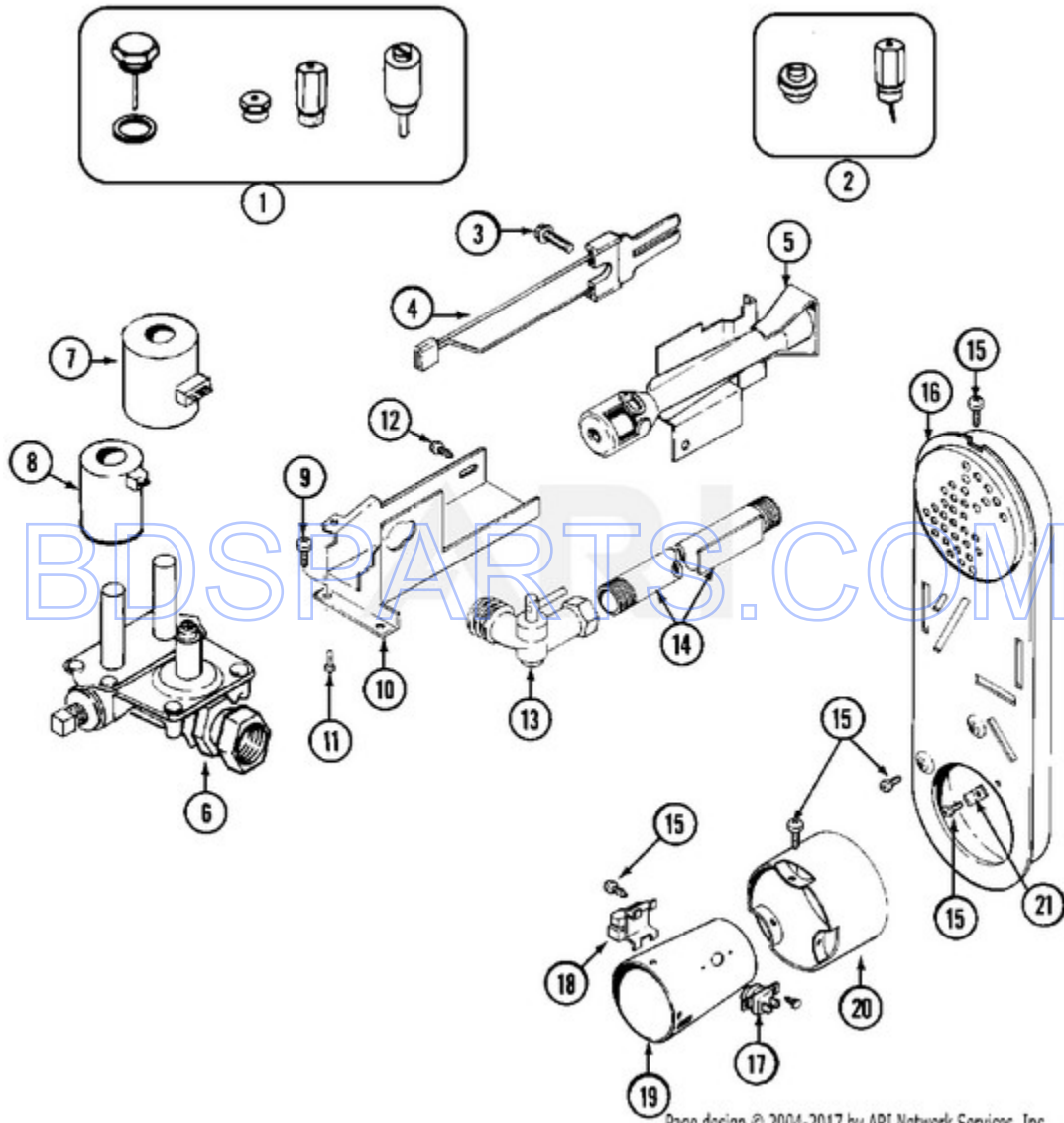
Ref #	Part #	Description	Qty	Context Note	MSRP
1	Y312905	COVER, TERMINAL	1	Series A0	
2	Y313561	SCREW, TERMINAL COVER	1	Series A0	
3	210186	SCREW, GROUND	1	Series A0	
3	211294	SCREW, GROUND	2	Series A0	
3	33001284	CORD, POWER	1	Series A0	
4	Y313561	SCREW, CABINET	2	Series A0	
4	Y310632	SCREW, CABINET	3	Series A0	
5	NLA	SCREW & WASHER ASSY.	1	Series A0	
6	301548	CLAMP, GROUND & SCREW	1	Series A0	
7	204807	WIRE, GROUND	1	Series A0	
8	Y313559	SCREW, ACCESS COVER	2	Series A0	
9	211294	SCREW, ACCESS COVER	3	Series A0	
10	Y312951	COVER, ACCESS	1	Series A0	
11	Y305086	ADJUSTABLE LEG & NUT	4	Series A0	
12	Y314137	FOOT, RUBBER	4	Series A0	
13	Y052740	NUT, LEG	4	Series A0	
14	Y303361	BASE ASSY.	1	Series A0	
15	213007	SCREW, CABINET SIDES	6	Series A0	
16	NLA	CABINET (WHT)	1	Series A0	
17	211881	GROMMET, CORD	1	Series A0	

MDG10CSAAW - 06 - TUMBLER



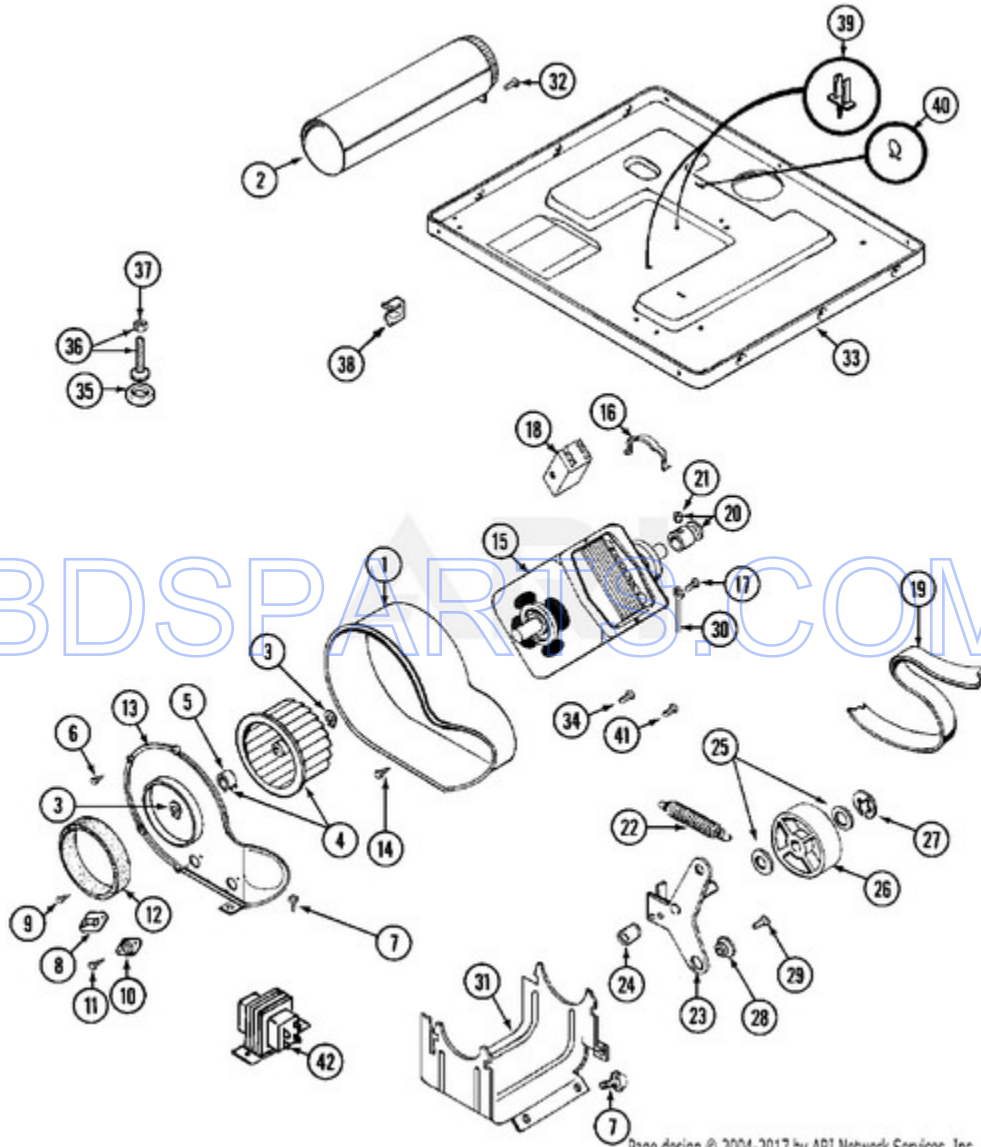
Ref #	Part #	Description	Qty	Context Note	MSRP
1	33001016	DUCT ASSY., OUTLET	1	Series A0	
2	33001170	FILTER, LINT	1	Series A0	
3	NLA	SCREW, TUMBLER SUPPORT	4	Series A0	
4	Y313561	SCREW, TUMBLER FRONT	2	Series A0	
5	33001179	FRONT, TUMBLER (W/SEAL)	1	Series A0	
6	Y310376	CLIP, CABLE	1	Series A0	
7	210720	RIVET	4	Series A0	
8	306508	TUMBLER BEARING KIT ----W	2	Series A0	
9	Y310632	SCREW, TUMBLER FRONT	3	Series A0	
10	314820	SEAL, TUMBLER	2	Series A0	
11	33001012	BAFFLE (SHORT)	1	Series A0	
12	314158	WASHER, BAFFLE	6	Series A0	
13	33001108	DRYER TUMBLER, W/O BAFFLES	1	Series A0	
14	Y310759	SCREW, TUMBLER BAFFLE	6	Series A0	
15	33001178	BACK, TUMBLER (W/SEAL)	1	Series A0	
16	NLA	COVER, THREAD	4	Series A0	
17	Y310632	SCREW, TUMBLER BACK	3	Series A0	
18	312538	NUT, ROLLER SHAFT	2	Series A0	
19	Y313347	WASHER, SPRING (ROLLER SFT)	2	Series A0	
20	Y312948	SHAFT, TUMBLER ROLLER----C	2	Series A0	
21	Y303373	ROLLER (W/BEARING)	2	Series A0	
22	312535	WASHER, ROLLER SHAFT	2	Series A0	
23	410233	RING, RETAINING	2	Series A0	
24	Y312959	BELT, DRUM	1	Series A0	
25	33001004	BAFFLE (TALL)	2	Series A0	
26	Y314110	SCREW, OUTLET DUCT	4	Series A0	
27	901220	WIRE, GROUND	1	Series A0	
28	910343	SCREW, GROUND WIRE	1	Series A0	

MDG10CSAAW - 07 - GAS VALVE



Ref #	Part #	Description	Qty	Context Note	MSRP
1	Y308378	CONVERSION KIT (NAT TO LP)	1	Series A0	
2	Y308377	CONVERSION KIT (LP TO NATURAL)	1	Series A0	
3	304971	SCREW, IGNITER	1	Series A0	
4	304970	IGNITER ASSY.	1	Series A0	
5	33001247	BURNER ASSY.	1	Series A0	
6	308345	VALVE, GAS	1	Series A0	
7	306106	COIL, HOLDING & BOOSTER--W	1	Series A0	
8	306105	COIL, SECONDARY--W	1	Series A0	
9	Y313561	SCREW, GAS VALVE ASSY.	1	Series A0	
10	314566	BRACKET, GAS VALVE	1	Series A0	
11	Y313559	SCREW, GAS VALVE ASSY.	1	Series A0	
12	314082	SCREW, GAS VALVE	1	Series A0	
12	314568	SCREW, GAS VALVE	1	Series A0	
13	Y303349	SHUT-OFF, GAS VALVE	1	Series A0	
14	Y303383	PIPE & BRACKET ASSY.	1	Series A0	
15	211294	SCREW, DUCT, CONE & SENSOR	14	Series A0	
16	Y308504	INLET DUCT ASSY.	1	Series A0	
17	305169	THERMOSTAT, HI-LIMIT GAS	1	Series A0	
18	Y303377	SENSOR, RADIANT	1	Series A0	
19	Y308548	CONE, COMBUSTION ASSY.	1	Series A0	
20	Y303841	EXTENSION, CONE (W/SCREWS)	1	Series A0	
21	Y312890	RETAINER, HEATER CHAMBER	1	Series A0	

MDG10CSAAW - 08 - MOTOR DRIVE



Ref #	Part #	Description	Qty	Context	Note	MSRP
1	Y312893	HOUSING, BLOWER	1		Series A0	
2	Y303442	EXHAUST DUCT ASSY.	1		Series A0	
3	410233	RING, RETAINING	2		Series A0	
4	Y303836	BLOWER WHEEL ASSY.	1		Series A0	
5	312967	CLAMP, BLOWER WHEEL	1		Series A0	
6	Y312961	SCREW, HOUSING COVER	6		Series A0	
7	Y313561	SCREW, HOUSING COVER	3		Series A0	
8	303392	THERMOSTAT, CYCLING (140 DEG.)	1		Series A0	
8	306966	THERMOSTAT, CYCLING (155 DEG.)	1		Series A0	
9	211294	SCREW, THERMOSTAT	2		Series A0	
10	306604	CUT-OFF, THERMAL	1		Series A0	
11	NLA	SCREW, THERMAL CUT-OFF	2		Series A0	
12	Y312901	SEAL, HOUSING COVER	1		Series A0	
13	314778	COVER, BLOWER HOUSING	1		Series A0	
14	Y310632	SCREW, BLOWER HOUSING	4		Series A0	
15	Y303358	MOTOR	1		Series A0	
16	Y015825	CLIP, MOTOR	2		Series A0	
17	910343	SCREW, GROUND WIRE	1		Series A0	
18	306207	(PROD. No. 303358-8 & 303358-9)				
18	NLA	SWITCH, MOTOR START	1		Series A0	
18	Y303877	SWITCH, MOTOR START (PROD. No. 303358-2, 303358-4)	1		Series A0	
18	Y303879	SWITCH, MOTOR START (PROD. No. 303358 & 303358-6)	1		Series A0	
19	Y312959	BELT, TUMBLER & MOTOR	1		Series A0	
20	Y305185	PULLEY, MOTOR (W/SET SCREW)	1		Series A0	
21	Y053241	SCREW, SET	1		Series A0	
22	Y303945	IDLER SPRING ASSY.	1		Series A0	
23	Y303363	IDLER ARM & SHAFT ASSY.	1		Series A0	
24	Y313582	SPACER, IDLER BRACKET	1		Series A0	
25	Y312527	WASHER, IDLER SHAFT (QTY-1)	2		Series A0	
26	Y303705	PULLEY, IDLER	1		Series A0	
27	312958	RING, RETAINING	1		Series A0	
28	Y312894	SLEEVE, IDLER ARM ----S	1		Series A0	
29	Y014874	SCREW, IDLER ARM	1		Series A0	
30	901220	WIRE, GROUND	1		Series A0	
31	NLA	SUPPORT, MOTOR	1		Series A0	
32	Y310632	SCREW, EXHAUST DUCT	1		Series A0	
33	Y305084	BASE ASSY.	1		Series A0	
34	211294	SCREW, GROUND WIRE	1		Series A0	

Ref #	Part #	Description	Qty	Context	Note	MSRP
35	Y314137	FOOT, RUBBER	4	Series A0		
36	Y305086	ADJUSTABLE LEG & NUT	4	Series A0		
37	Y052740	NUT, LEG	4	Series A0		
38	Y310376	CLIP, CABLE	1	Series A0		
39	315471	RETAINER, WIRE	1	Series A0		
40	410490	SPRING, WIRE HARNESS	2	Series A0		
41	Y312961	SCREW, SPACER	1	Series A0		
42	211294	SCREW, TRANSFORMER	2	Series A0		
42	307928	TRANSFORMER	1	Series A0		

BDSPARTS.COM