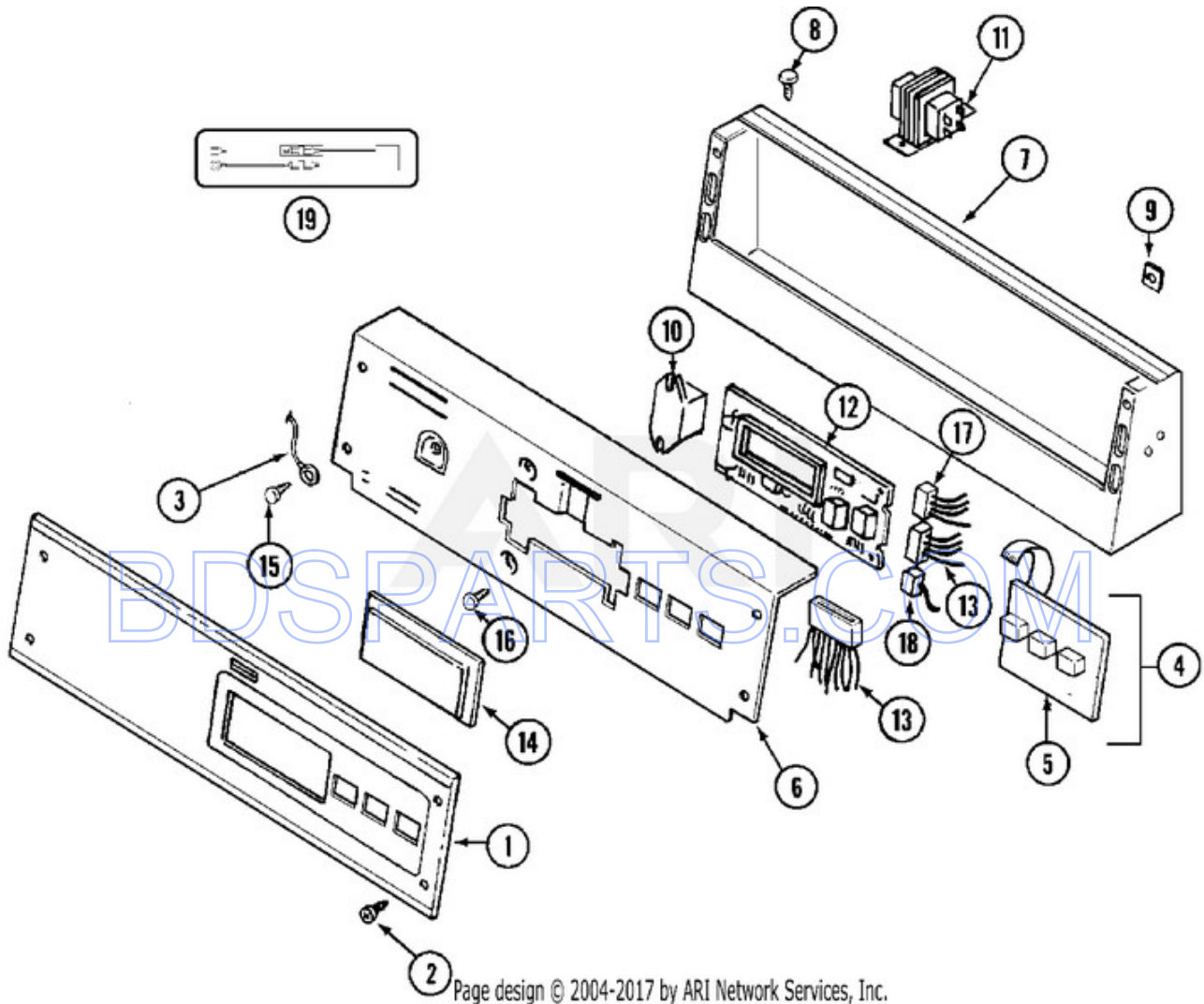


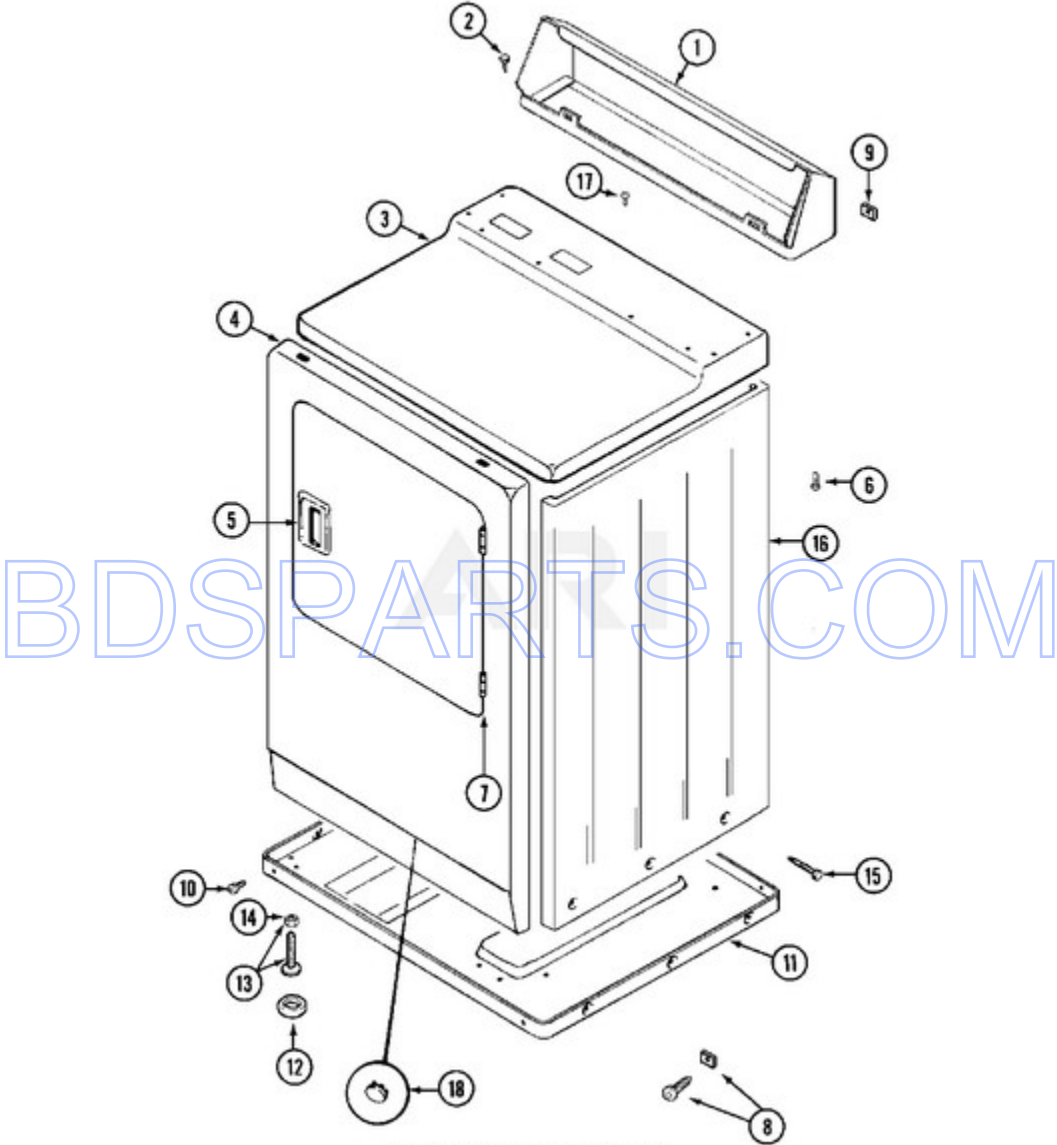
MDG10PDAAW - 01 - CONTROL PANEL



Ref #	Part #	Description	Qty	Context Note	MSRP
1	33001020	PANEL, CONTROL	1	Series A0	
2	215506	SCREW, CONTROL PANEL	4	Series A0	
3	205810	WIRE, GROUND	1	Series A0	
3	NLA	WIRE, GROUND	1	Series 17	
4	215527	SCREW, SWITCH	2	Series A0	
4	306694	CONTROL SWITCH ASSEMBLY	1	Series A0	
5	215517	PUSHBUTTON, CONTROL SWITCH	1	Series A0	
6	NLA	PLATE, BACKUP (WHT)	1	Series A0	
7	NLA	CONSOLE (WHT)	1	Series A0	
8	212276	SCREW, CONSOLE	5	Series A0	
9	215003	CLIP, SCREW	2	Series A0	
10	206824	RELAY, MOTOR (SPST)	1	Series A0	
10	212949	SCREW, RELAY	1	Series A0	
11	207766	TRANSFORMER	1	Series A0	
11	211294	SCREW, TRANSFORMER	1	Series A0	
12	33001249	BATTERY	1	Series A0	
12	912077	LOCKNUT	6	Series A0	
12	NLA	CIRCUIT BOARD ASSEMBLY	1	Series A0	
12	NLA	SUPPORT, BATTERY	1	Series A0	
12	Y215513	SPACER CIRCUIT BOARD	4	Series A0	
13	314531	CONNECTOR, EDGEBOARD	2	Series A0	
13	33001206	WIRE HARNESS, MAIN	1	Series A0	
13	33001574	WIRE HARNESS, MAIN	1	Series 17	
14	33001208	COVER, DISPLAY	1	Series A0	
15	211252	SCREW	1	Series A0	
16	215526	SCREW	2	Series A0	
17	206799	OPTIC SWITCH ASSEMBLY	1	Series A0	
17	NLA	CONNECTOR, EDGEBOARD----NA	1	Series A0	
18	208045	HARNESS, WIRE (SENSOR SW'S.)	1	Series A0	
18	22001361	CONNECTOR, EDGEBOARD	1	Series A0	
19	NLA	SURGE SUPPRESSOR KIT	1	Series 17	

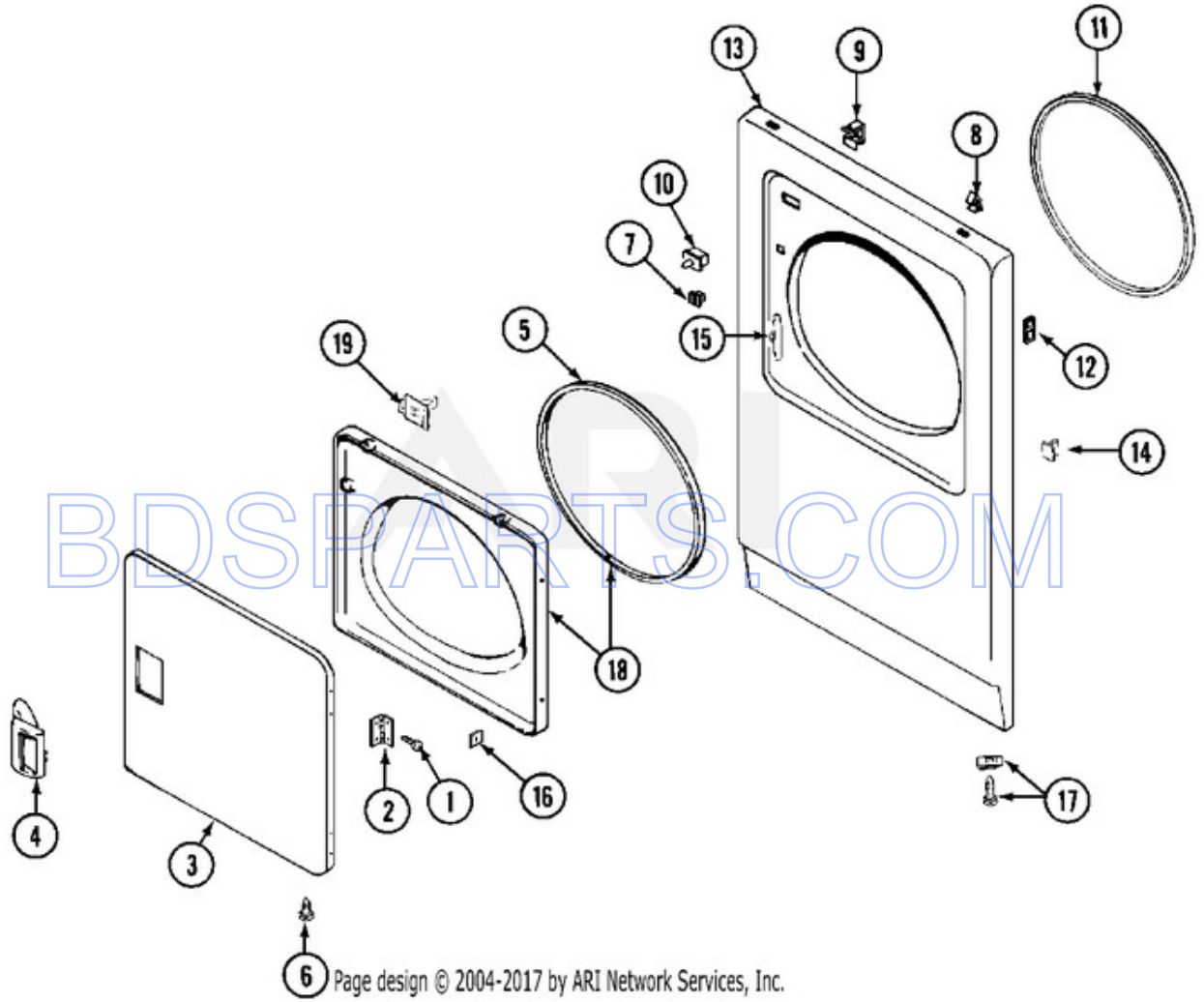
Ref #	Part #	Description	Qty	Context	Note	MSRP
1	207940	CASE, COIN METER (WHT)	1	Series A0		
1	207940L	(ALM)	-	Series A0		
2	207912	BOX, COIN (WHT)----SUB	1	Series A0		
2	207912L	(ALM)	-	Series A0		
3	212328	NUT, LOCK	1	Series A0		
4	NLA	STRAP, MOUNTING	1	Series A0		
5	211294	SCREW, MOUNTING STRAP	1	Series A0		
6	910309	WASHER, STRAP SCREW	1	Series A0		
7	214660	GASKET, METER CASE	1	Series A0		
8	Y052740	NUT, CASE MOUNTING	1	Series A0		
9	213035	BOLT, LOCKING	2	Series A0		
10	910181	LOCKWASHER, LOCKING BOLT	2	Series A0		
11	216011	SPRING, RETURN BUTTON	1	Series A0		
12	212328	NUT, CAM LOCK	1	Series A0		
13	213750	CAM, LOCK	1	Series A0		
14	22001354	LOCKWASHER, LOCK CAM	1	Series A0		
15	22001355	NUT, LOCK CAM	1	Series A0		
16	NLA	LOCK CAM ASSEMBLY	1	Series A0		
17	208042	SWITCH, SENSOR (VAULT & DOOR)	2	Series A0		
18	207948	COIN DROP ASSEMBLY	1	Series A0		
18	NLA	(CAN.)	-	Series A0		
19	207947	COIN DROP	1	Series A0		
19	207949	(CAN.)	-	Series A0		
20	216200	BUTTON, RETURN	1	Series A0		
21	204216	DOOR, ACCESS (WHT)	1	Series A0		
21	204216L	(ALM)	1	Series A0		
22	22001354	LOCKWASHER, LOCK CAM	1	Series A0		
23	22001355	NUT, LOCK CAM	1	Series A0		
24	206799	OPTIC SWITCH ASSEMBLY	1	Series A0		
25	314665	SCREW, SWITCH ASSEMBLY	1	Series A0		
26	216068	SCREW, COIN DROP	3	Series A0		
27	216010	PLATE, MOUNTING	1	Series A0		
28	NLA	BRACKET, SENSOR SWITCH	1	Series A0		
29	NLA	SCREW, BRACKET	1	Series A0		
30	208045	HARNESS, WIRE (SENSOR SW`S.)	1	Series A0		
31	912012	SCREW, SENSOR SWITCH	2	Series A0		

MDG10PDAAW - 03 - CABINET (FRONT)



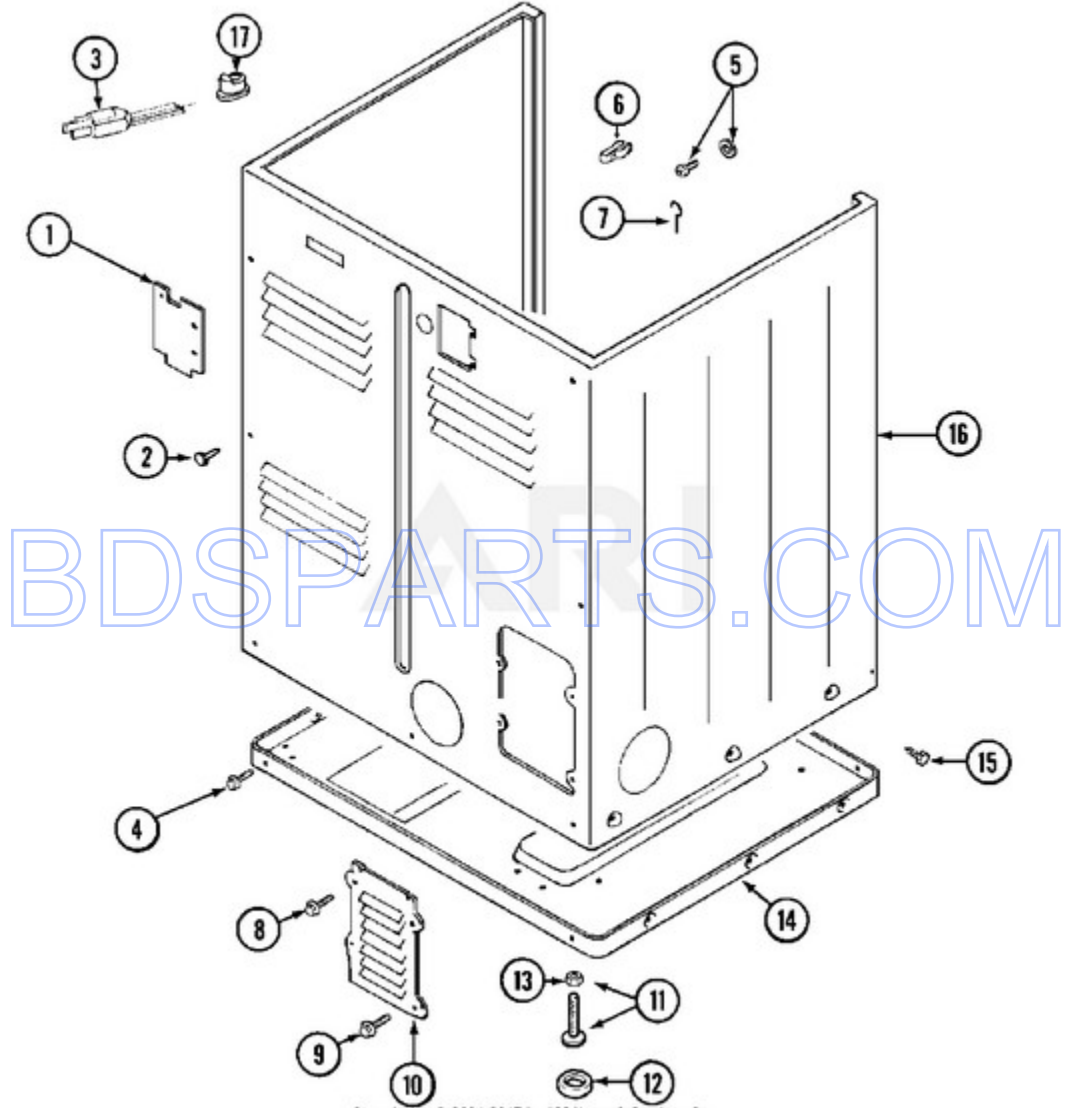
Ref #	Part #	Description	Qty	Context	Note	MSRP
1	NLA	CONSOLE (WHT)	-	Series	A0	
2	212276	SCREW, CONSOLE	4	Series	A0	
3	33001163	COVER, TOP (WHT)	-	Series	A0	
3	33001164	(ALM)	1	Series	A0	
4	NLA	PANEL, FRONT (WHT)	-	Series	A0	
5	33001241	HANDLE, DOOR (WHT)	-	Series	A0	
5	33001254	(ALM)	1	Series	A0	
6	214354	SCREW, TOP COVER	2	Series	A0	
7	33001230	HINGE, DOOR	2	Series	A0	
8	204439	SCREW & FASTENER ASSY.	1	Series	A0	
9	215075	FASTENER, CONSOLE	2	Series	A0	
10	Y313561	SCREW, CABINET	2	Series	A0	
10	Y310632	SCREW, CABINET	3	Series	A0	
11	Y303361	BASE ASSY.	1	Series	A0	
12	Y314137	FOOT, RUBBER	4	Series	A0	
13	Y305086	ADJUSTABLE LEG & NUT	4	Series	A0	
14	Y052740	NUT, LEG	4	Series	A0	
15	213007	SCREW, CABINET SIDES	6	Series	A0	
16	NLA	CABINET (WHT)	-	Series	A0	
17	210186	SCREW, GROUND CONSOLE	1	Series	A0	
18	33001132	PLUG, SIGHT HOLE (WHT)	-	Series	A0	
18	33001168	PLUG, SIGHT HOLE (ALM)	1	Series	A0	

MDG10PDAAW - 04 - DOOR



Ref #	Part #	Description	Qty	Context	Note	MSRP
1	Y314062	SCREW,HINGE,DOOR,& PANEL	14	Series	A0	
2	33001230	HINGE, DOOR	2	Series	A0	
3	33001240	DOOR (WHT)	-	Series	A0	
3	33001257	(ALM)	1	Series	A0	
4	33001241	HANDLE, DOOR (WHT)	-	Series	A0	
4	33001254	(ALM)	1	Series	A0	
5	33001131	SEAL, DOOR	1	Series	A0	
6	33001132	PLUG, SIGHT HOLE (WHT)	-	Series	A0	
6	33001168	(ALM)	2	Series	A0	
7	Y304578	CATCH, DOOR (FEMALE)	2	Series	A0	
8	212982	FASTENER, SPRING	2	Series	A0	
9	Y310376	CLIP, CABLE	1	Series	A0	
10	33001509	SWITCH, DOOR	1	Series	16	
10	Y305753	SWITCH, DOOR	1	Series	A0	
11	314937	SEAL, FRONT PANEL	1	Series	A0	
12	NLA	SPEEDNUT, HINGE SCREW	4	Series	A0	
12	NLA	SCREW, PLASTIC	4	Series	A0	
13	NLA	PANEL, FRONT (WHT)	-	Series	A0	
14	NLA	PLUG, DOOR CATCH	1	Series	A0	
15	33001175	COVER, HINGE HOLE (WHT)	-	Series	A0	
15	33001176	(ALM)	2	Series	A0	
16	Y313910	FASTENER, INNER DOOR	9	Series	A0	
17	204439	SCREW & FASTENER ASSEMBLY	1	Series	A0	
18	33001243	DOOR, INNER (W/SEAL)	1	Series	A0	
19	314936	STRIKE, DOOR	1	Series	A0	
19	314944	BRACKET, STRIKE	1	Series	A0	

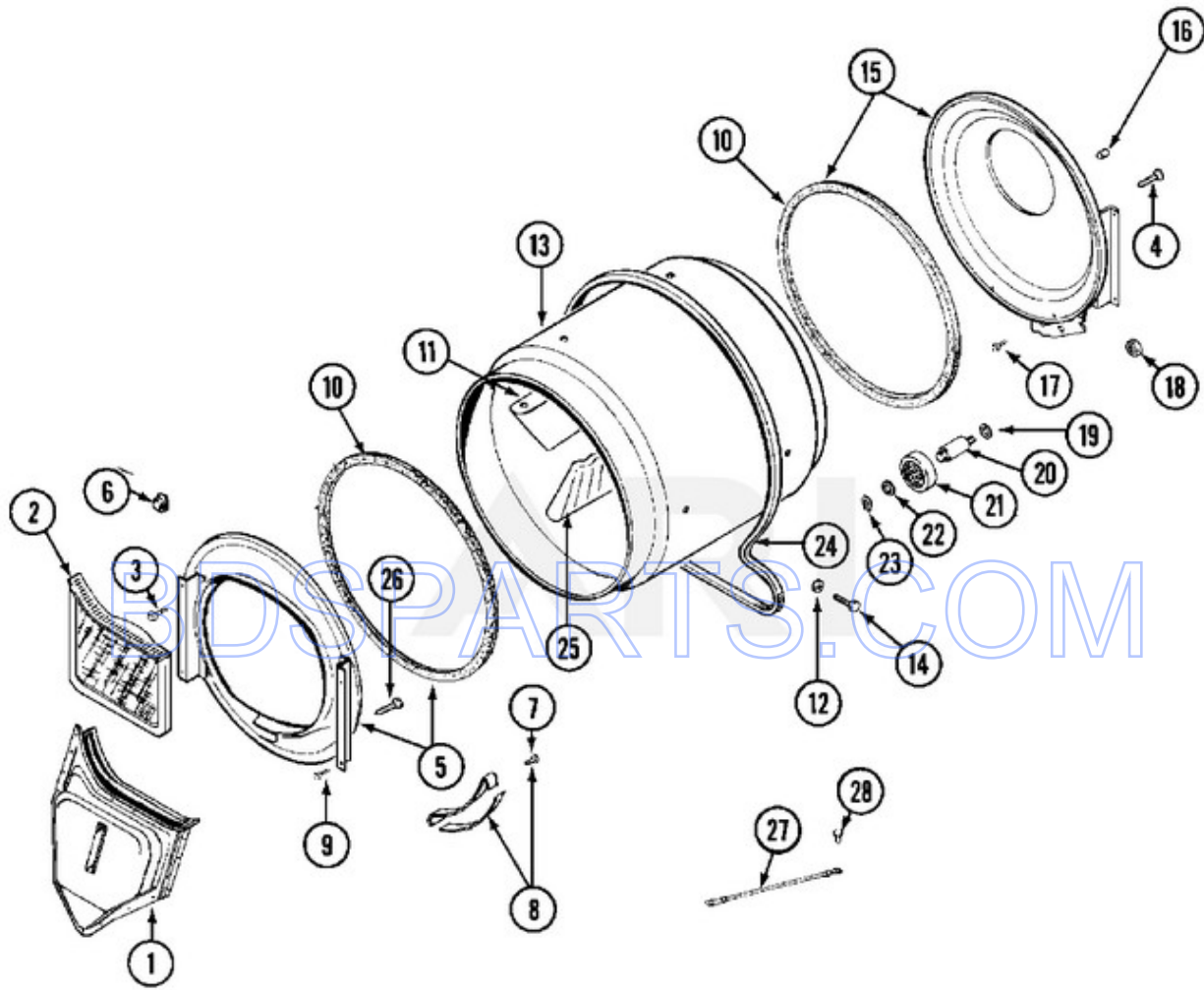
MDG10PDAAW - 05 - CABINET (REAR)



Ref #	Part #	Description	Qty	Context Note	MSRP
1	Y312905	COVER, TERMINAL	1	Series A0	
2	Y313561	SCREW, TERMINAL COVER	1	Series A0	
3	210186	SCREW, GROUND	1	Series A0	
3	211294	SCREW, GROUND	2	Series A0	
3	33001284	CORD, POWER	1	Series A0	
4	Y313561	SCREW, CABINET	2	Series A0	
4	Y310632	SCREW, CABINET	3	Series A0	
5	NLA	SCREW & WASHER ASSY.	1	Series A0	
6	301548	CLAMP, GROUND & SCREW	1	Series A0	
7	204807	WIRE, GROUND	1	Series A0	
8	Y313559	SCREW, ACCESS COVER	2	Series A0	
9	211294	SCREW, ACCESS COVER	3	Series A0	
10	Y312951	COVER, ACCESS	1	Series A0	
11	Y305086	ADJUSTABLE LEG & NUT	4	Series A0	
12	Y314137	FOOT, RUBBER	4	Series A0	
13	Y052740	NUT, LEG	4	Series A0	
14	Y303361	BASE ASSY.	1	Series A0	
15	213007	SCREW, CABINET SIDES	6	Series A0	
16	NLA	CABINET (WHT)	1	Series A0	
17	211881	GROMMET, CORD	1	Series A0	

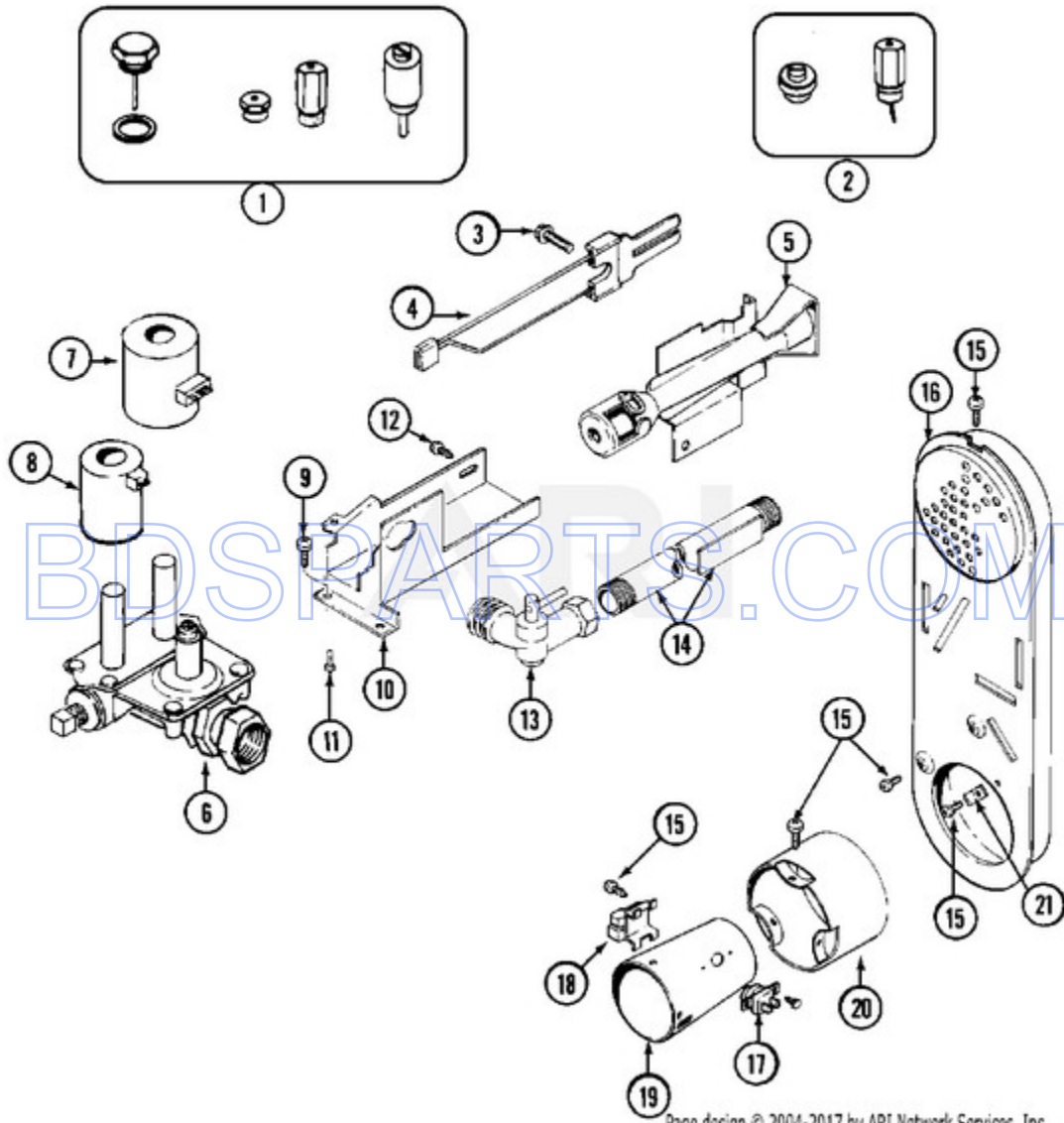
BSPARTS.COM

MDG10PDAAW - 06 - TUMBLER



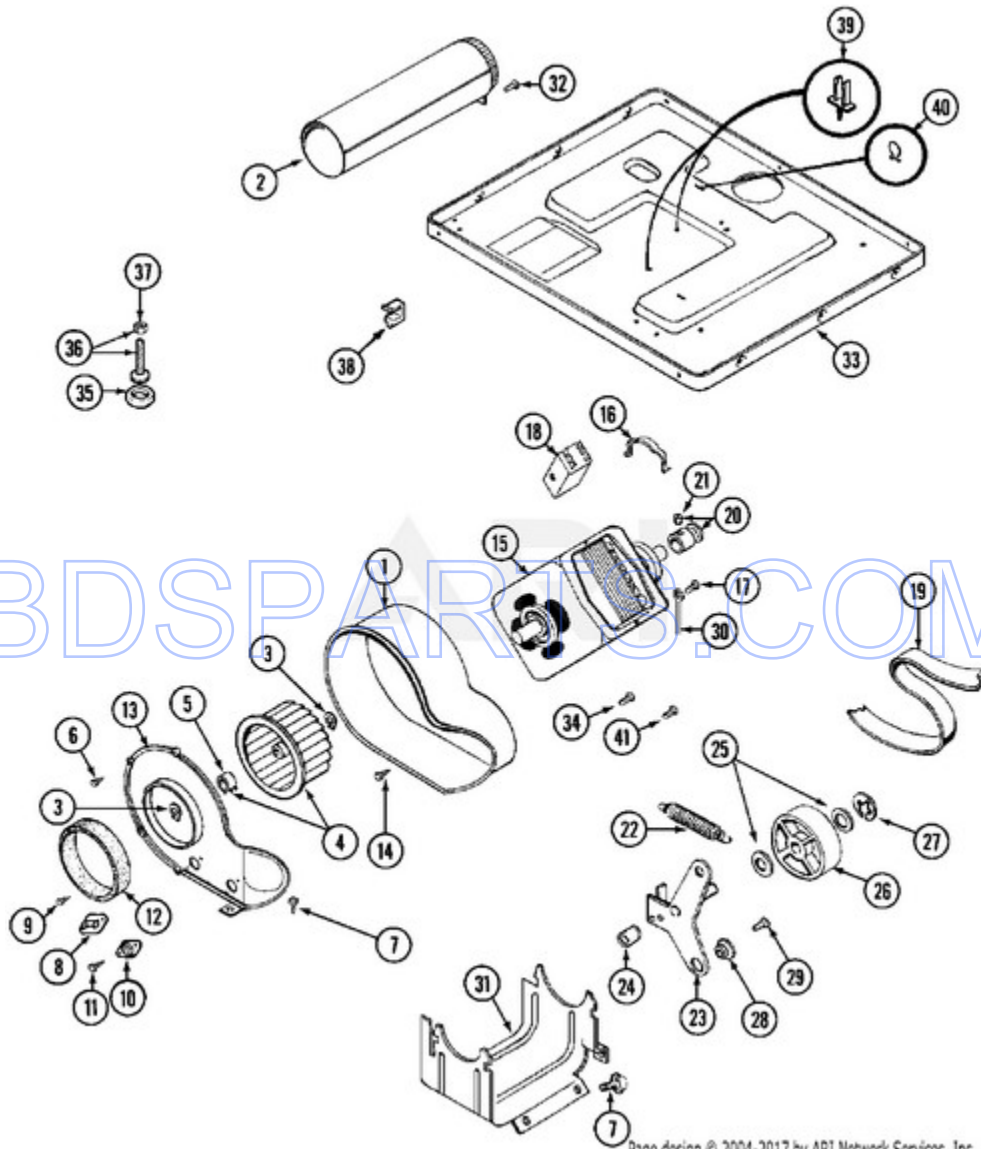
Ref #	Part #	Description	Qty	Context Note	MSRP
1	33001016	DUCT ASSY., OUTLET	1	Series A0	
2	33001170	FILTER, LINT	1	Series A0	
3	NLA	SCREW, TUMBLER SUPPORT	4	Series A0	
4	Y313561	SCREW, TUMBLER FRONT	2	Series A0	
5	33001179	FRONT, TUMBLER (W/SEAL)	1	Series A0	
6	Y310376	CLIP, CABLE	1	Series A0	
7	210720	RIVET	4	Series A0	
8	306508	TUMBLER BEARING KIT ----W	2	Series A0	
9	Y310632	SCREW, TUMBLER FRONT	3	Series A0	
10	314820	SEAL, TUMBLER	2	Series A0	
11	33001012	BAFFLE (SHORT)	1	Series A0	
12	314158	WASHER, BAFFLE	6	Series A0	
13	33001108	DRYER TUMBLER, W/O BAFFLES	1	Series A0	
14	Y310759	SCREW, TUMBLER BAFFLE	6	Series A0	
15	33001178	BACK, TUMBLER (W/SEAL)	1	Series A0	
16	NLA	COVER, THREAD	4	Series A0	
17	Y310632	SCREW, TUMBLER BACK	3	Series A0	
18	312538	NUT, ROLLER SHAFT	2	Series A0	
19	Y313347	WASHER, SPRING (ROLLER SFT)	2	Series A0	
20	Y312948	SHAFT, TUMBLER ROLLER----C	2	Series A0	
21	Y303373	ROLLER (W/BEARING)	2	Series A0	
22	312535	WASHER, ROLLER SHAFT	2	Series A0	
23	410233	RING, RETAINING	2	Series A0	
24	Y312959	BELT, DRUM	1	Series A0	
25	33001004	BAFFLE (TALL)	2	Series A0	
26	Y314110	SCREW, OUTLET DUCT	4	Series A0	
27	901220	WIRE, GROUND	1	Series A0	
28	910343	SCREW, GROUND WIRE	1	Series A0	

MDG10PDAAW - 07 - GAS VALVE



Ref #	Part #	Description	Qty	Context Note	MSRP
1	Y308378	CONVERSION KIT (NAT TO LP)	1	Series A0	
2	Y308377	CONVERSION KIT (LP TO NATURAL)	1	Series A0	
3	304971	SCREW, IGNITER	1	Series A0	
4	304970	IGNITER ASSY.	1	Series A0	
5	33001247	BURNER ASSY.	1	Series A0	
6	308345	VALVE, GAS	1	Series A0	
7	306106	COIL, HOLDING & BOOSTER--W	1	Series A0	
8	306105	COIL, SECONDARY--W	1	Series A0	
9	Y313561	SCREW, GAS VALVE ASSY.	1	Series A0	
10	314566	BRACKET, GAS VALVE	1	Series A0	
11	Y313559	SCREW, GAS VALVE ASSY.	1	Series A0	
12	314082	SCREW, GAS VALVE	1	Series A0	
12	314568	SCREW, GAS VALVE	1	Series A0	
13	Y303349	SHUT-OFF, GAS VALVE	1	Series A0	
14	Y303383	PIPE & BRACKET ASSY.	1	Series A0	
15	211294	SCREW, DUCT, CONE & SENSOR	14	Series A0	
16	Y308504	INLET DUCT ASSY.	1	Series A0	
17	305169	THERMOSTAT, HI-LIMIT GAS	1	Series A0	
18	Y303377	SENSOR, RADIANT	1	Series A0	
19	Y308548	CONE, COMBUSTION ASSY.	1	Series A0	
20	Y303841	EXTENSION, CONE (W/SCREWS)	1	Series A0	
21	Y312890	RETAINER, HEATER CHAMBER	1	Series A0	

MDG10PDAAW - 08 - MOTOR DRIVE

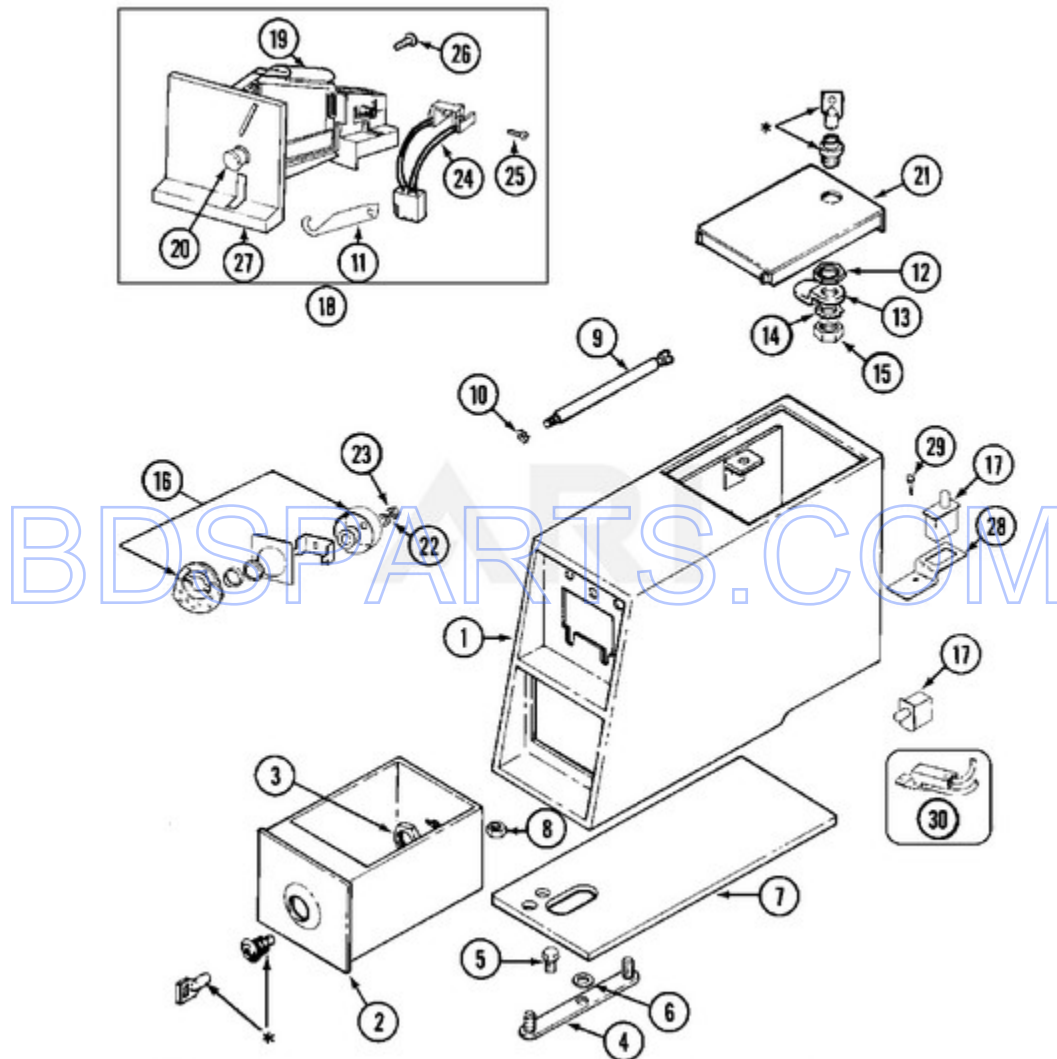


Ref #	Part #	Description	Qty	Context	Note	MSRP
1	Y312893	HOUSING, BLOWER	1		Series A0	
2	Y303442	EXHAUST DUCT ASSEMBLY	1		Series A0	
3	410233	RING, RETAINING	2		Series A0	
4	Y303836	BLOWER WHEEL ASSEMBLY	1		Series A0	
5	312967	CLAMP, BLOWER WHEEL	1		Series A0	
6	Y312961	SCREW, HOUSING COVER	6		Series A0	
7	Y313561	SCREW, HOUSING COVER	3		Series A0	
8	306056	THERMISTOR TEMP. CONTROL	1		Series A0	
8	Y303391	THERMOSTAT, CYCLING (155 DEG)	1		Series A0	
9	211294	SCREW, THERMOSTAT	2		Series A0	
10	306604	CUT-OFF, THERMAL	1		Series A0	
11	NLA	SCREW, THERMAL CUT-OFF	2		Series A0	
12	Y312901	SEAL, HOUSING COVER	1		Series A0	
13	314778	COVER, BLOWER HOUSING	1		Series A0	
14	Y310632	SCREW, BLOWER HOUSING	4		Series A0	
15	Y303358	MOTOR	1		Series A0	
16	Y015825	CLIP, MOTOR	2		Series A0	
17	910343	SCREW, GROUND WIRE	1		Series A0	
18	306207	(PROD. No. 303358-8 & 303358-9)				
18	NLA	SWITCH, MOTOR EXTERNAL START	1		Series A0	
18	Y303877	SWITCH, MOTOR EXTERNAL START (No.303358-2, 303358-4,303358-7)	1		Series A0	
18	Y303879	SWITCH, MOTOR EXTERNAL START (PROD. No. 303358 & 303358-6)	1		Series A0	
19	Y312959	BELT, TUMBLER & MOTOR	1		Series A0	
20	Y305185	PULLEY, MOTOR (W/SET SCREW)	1		Series A0	
21	Y053241	SCREW, SET	1		Series A0	
22	Y303945	IDLER SPRING ASSEMBLY	1		Series A0	
23	Y303363	IDLER ARM & SHAFT ASSEMBLY	1		Series A0	
24	Y313582	SPACER, IDLER BRACKET	1		Series A0	
25	Y312527	WASHER, IDLER SHAFT (QTY-1)	2		Series A0	
26	Y303705	PULLEY, IDLER	1		Series A0	
27	312958	RING, RETAINING	1		Series A0	
28	Y312894	SLEEVE, IDLER ARM ----S	1		Series A0	
29	Y014874	SCREW, IDLER ARM	1		Series A0	
30	901220	WIRE, GROUND	1		Series A0	
31	NLA	SUPPORT, MOTOR	1		Series A0	
32	Y310632	SCREW, EXHAUST DUCT	1		Series A0	
33	Y305084	BASE ASSEMBLY	1		Series A0	
34	211294	SCREW, GROUND WIRE	1		Series A0	

Ref #	Part #	Description	Qty	Context	Note	MSRP
35	Y314137	FOOT, RUBBER	4		Series A0	
36	Y305086	ADJUSTABLE LEG & NUT	4		Series A0	
37	Y052740	NUT, LEG	4		Series A0	
38	Y310376	CLIP, CABLE	1		Series A0	
39	315471	RETAINER, WIRE	1		Series A0	
40	410490	SPRING, WIRE HARNESS	2		Series A0	
41	Y312961	SCREW, SPACER	1		Series A0	

BDSPARTS.COM

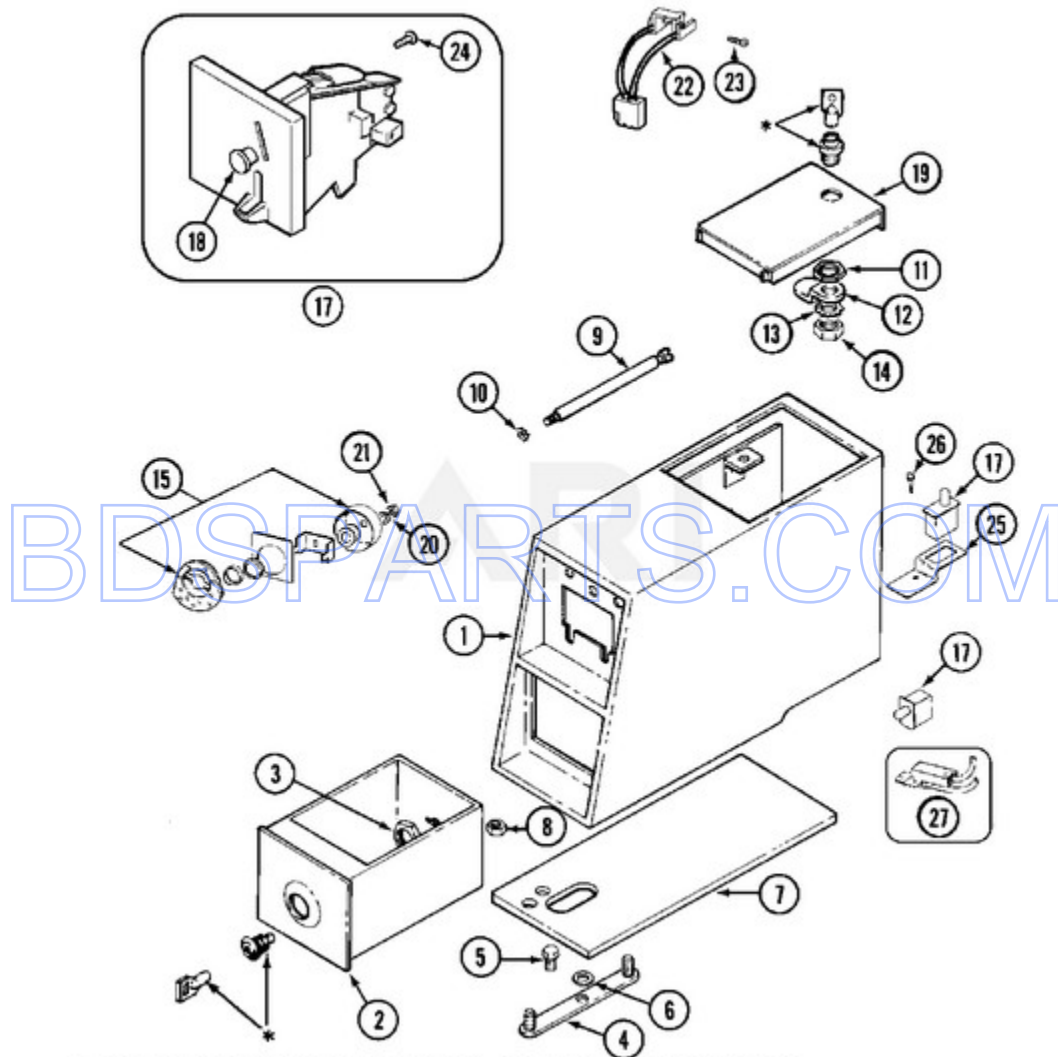
MDG10PDAAW - 09 - CONTROL CNTR (SERIAL SUFFIX KB & AFTER)



***CONTACT YOUR COMMERCIAL LAUNDRY DISTRIBUTOR**

Ref #	Part # Description	Qty	Note
1	22001407 CASE, COIN METER (WHT)	1	Series A0
1	22001408 (ALM)	-	Series A0
2	207912 BOX, COIN (WHT)	1	Series A0
2	207912L (ALM)	-	Series A0
3	212328 NUT, LOCK	1	Series A0
4	NLA STRAP, MOUNTING	1	Series A0
5	211294 SCREW, MOUNTING STRAP	1	Series A0
6	910309 WASHER, STRAP SCREW	1	Series A0
7	214660 GASKET, METER CASE	1	Series A0
8	Y052740 NUT, CASE MOUNTING	1	Series A0
9	213035 BOLT, LOCKING	2	Series A0
10	910181 LOCKWASHER, LOCKING BOLT	2	Series A0
11	216011 SPRING, RETURN BUTTON	1	Series A0
12	212328 NUT, CAM LOCK	1	Series A0
13	213750 CAM, LOCK	1	Series A0
14	22001354 LOCKWASHER, LOCK CAM	1	Series A0
15	22001355 NUT, LOCK CAM	1	Series A0
16	NLA LOCK CAM ASSEMBLY	1	Series A0
17	33001250 SWITCH, SENSOR	2	Series A0
18	207948 COIN DROP ASSEMBLY	1	Series A0
18	NLA (CAN.)	-	Series A0
19	207947 COIN DROP	1	Series A0
19	207949 DROP, COIN (CAN.)	-	Series A0
20	216200 BUTTON, RETURN	1	Series A0
21	204216 DOOR, ACCESS (WHT)	1	Series A0
21	204216L (ALM)	-	Series A0
22	22001354 LOCKWASHER, LOCK CAM	1	Series A0
23	216203 LOCKWASHER, DOUBLE ``D``	1	Series A0
23	22001355 NUT, LOCK CAM	1	Series A0
24	206799 OPTIC SWITCH ASSEMBLY	1	Series A0
25	314665 SCREW, SWITCH ASSEMBLY	1	Series A0
26	216068 SCREW, COIN DROP	3	Series A0
27	216010 PLATE, MOUNTING	1	Series A0
28	22001404 BRACKET, SENSOR SWITCH	1	Series A0
29	212276 SCREW, BRACKET	1	Series A0
30	208045 HARNESS, WIRE (SENSOR SW)	1	Series A0

MDG10PDAAW - 10 - CONTROL CNTR (SERIAL SUFFIX QB & AFTER)



* CONTACT YOUR COMMERCIAL LAUNDRY DISTRIBUTOR
Page design © 2004-2017 by ARI Technical Services, LLC

Ref #	Part #	Description	Qty	Context	Note	MSRP
1	22001407	CASE, COIN METER (WHT)	1	Series	10	
1	22001408	(ALM)	-	Series	10	
2	207912	BOX, COIN (WHT)	1	Series	10	
2	207912L	(ALM)	-	Series	10	
3	212328	NUT, LOCK	1	Series	10	
4	NLA	STRAP, MOUNTING	1	Series	10	
5	211294	SCREW, MOUNTING STRAP	1	Series	10	
6	910309	WASHER, STRAP SCREW	1	Series	10	
7	214660	GASKET, METER CASE	1	Series	10	
8	Y052740	NUT, CASE MOUNTING	1	Series	10	
9	213035	BOLT, LOCKING	2	Series	10	
10	910181	LOCKWASHER, LOCKING BOLT	2	Series	10	
11	212328	NUT, CAM LOCK	1	Series	10	
12	213750	CAM, LOCK	1	Series	10	
13	22001354	LOCKWASHER, LOCK CAM	1	Series	10	
14	22001355	NUT, LOCK CAM	1	Series	10	
15	NLA	LOCK CAM ASSEMBLY	1	Series	10	
16	33001250	SWITCH, SENSOR	2	Series	10	
16	912012	SCREW, SENSOR SWITCH	2	Series	10	
17	207948	COIN DROP ASSEMBLY	-	Series	10	
17	22002143	FACEPLATE	1	Series	10	
17	NLA	(CAN.)	1	Series	10	
18	216200	BUTTON, RETURN	1	Series	10	
19	204216	DOOR, ACCESS (WHT)	1	Series	10	
19	204216L	(ALM)	-	Series	10	
20	22001354	LOCKWASHER, LOCK CAM	1	Series	10	
21	216203	LOCKWASHER, DOUBLE ``D``	1	Series	10	
21	22001355	NUT, LOCK CAM	1	Series	10	
22	206799	OPTIC SWITCH ASSEMBLY	1	Series	10	
23	314665	SCREW, SWITCH ASSEMBLY	1	Series	10	
24	216068	SCREW, COIN DROP	3	Series	10	
25	22001404	BRACKET, SENSOR SWITCH	1	Series	10	
26	212276	SCREW, BRACKET	1	Series	10	
27	208045	HARNESS, WIRE (SENSOR SW)	1	Series	10	