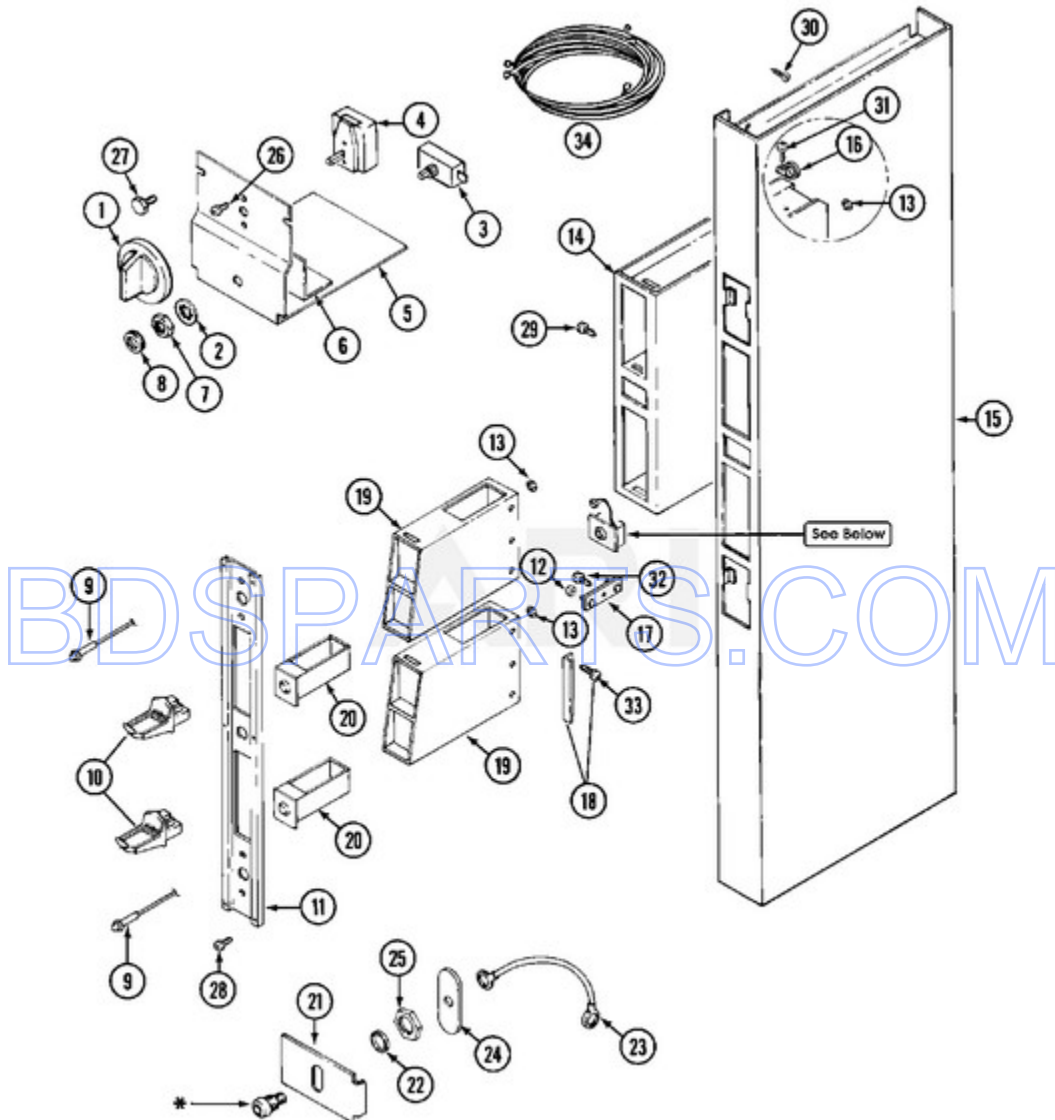


MDG11CSAAW - 01 - CONTROL CENTER SHROUD



\* Contact your Commercial Distributor For Security Items.

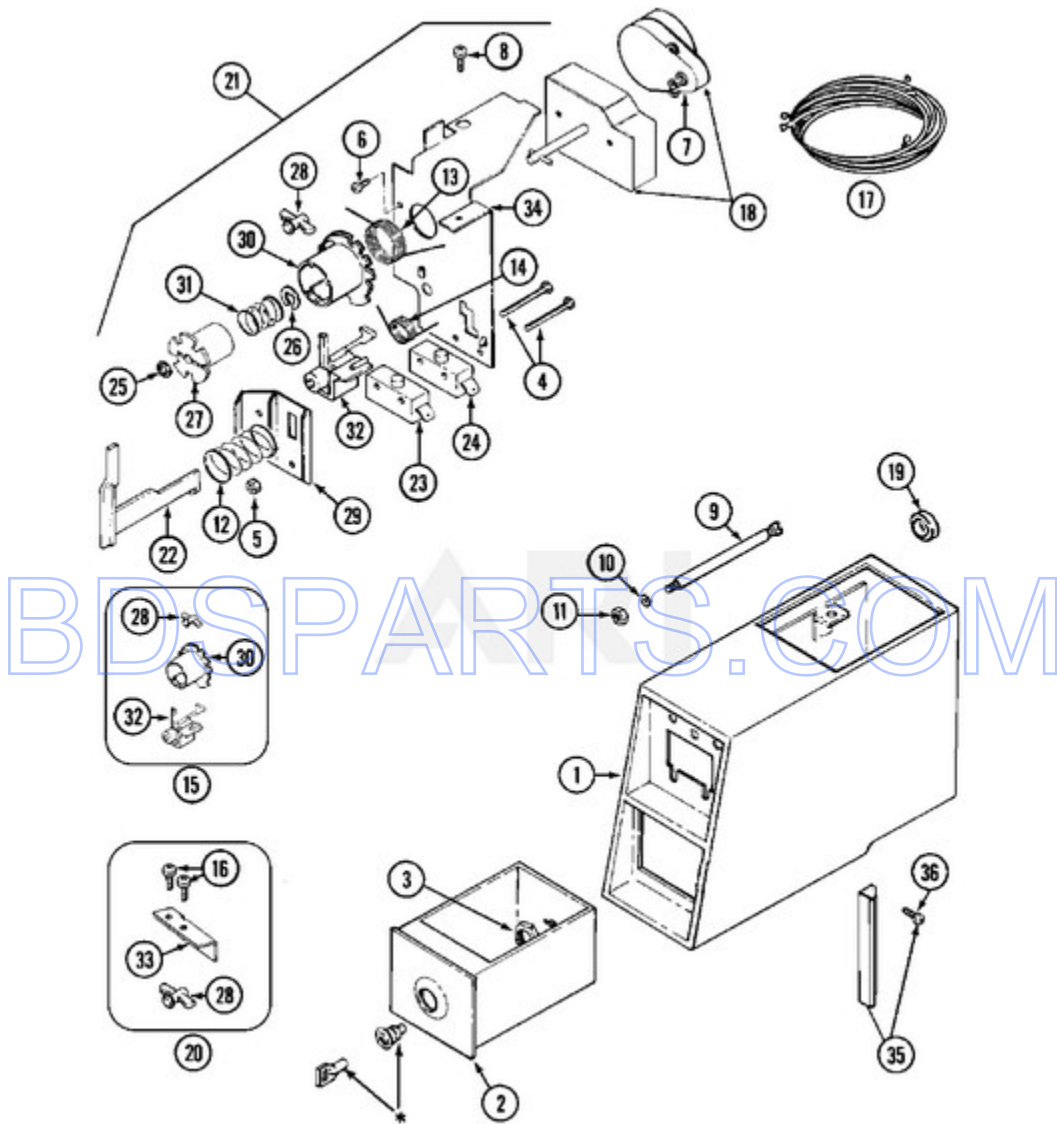
Page Design © 2004-2017 by AKA Network Services, Inc.

Ref #	Part #	Description	Qty	Context	Note	MSRP
001	205663	KNOB, SELECTOR SWITCH	2	Series A0		
002	312751	LOCKWASHER, START SWITCH	2	Series A0		
003	306940	SWITCH, PUSH-TO-START	2	Series A0		
004	307253	SWITCH, CYCLE SELECTOR	2	Series A0		
005	Y314261	BRACKET, SWITCH & RELAY	2	Series A0		
006	NLA	INSULATOR, SWITCH	2	Series A0		
007	Y312706	NUT, SWITCH	2	Series A0		
008	Y312702	KNURLED NUT, START SWITCH	2	Series A0		
009	303963	LIGHT, INDICATOR	2	Series A0		
010	NLA	MAYTAG COIN SLIDE (ACCY)	2	Series A0		
011	315037	PANEL, VAULT	1	Series A0		
012	Y052740	NUT, CONTROL CENTER	2	Series A0		
013	Y313671	GROMMET, WIRE HARNESS	3	Series A0		
014	305534	VAULT ASSEMBLY	1	Series A0		
014	Y313559	SCREW, VAULT	1	Series A0		
014	211294	SCREW, VAULT	3	Series A0		
015	NLA	SCREW, CONTROL ASSEMBLY	6	Series A0		
015	211294	SCREW, SHROUD COVER	4	Series A0		
015	NLA	SHROUD, CONTROL (WHT)	1	Series A0		
016	910768	STRAP, CABLE	1	Series A0		
017	NLA	STRAP, MOUNTING	1	Series A0		
018	NLA	STOP, COIN METER	4	Series A0		
019	Y307081	CASE, COIN METER (WHT)	2	Series A0		
019	NLA	(ALM)	-	Series A0		
020	205423L	(ALM)	-	Series A0		
020	205423	BOX, COIN (WHT)	2	Series A0		
021	313428	PLATE, LATCH	1	Series A0		
022	NLA	WASHER, LATCH	1	Series A0		
023	211168	SCREW, GROUND WIRE	1	Series A0		
023	Y303981	GROUND WIRE, LATCH	1	Series A0		
024	Y313427	LATCH, COVER PLATE	1	Series A0		
025	212328	NUT, LOCK ASSEMBLY	1	Series A0		
026	Y313588	SCREW, SELECTOR SWITCH	4	Series A0		
027	212276	SCREW, SWITCH & RELAY BRKT.	4	Series A0		
028	Y313424	SCREW, VAULT PANEL	6	Series A0		
029	Y313559	SCREW, VAULT SHROUD	1	Series A0		
029	211294	SCREW, VAULT SHROUD	3	Series A0		
030	213648	SCREW, SHROUD	2	Series A0		
031	211168	SCREW, CABLE STRAP	1	Series A0		

<b>Ref #</b>	<b>Part #</b>	<b>Description</b>	<b>Qty</b>	<b>Context Note</b>	<b>MSRP</b>
032	212276	SCREW, MOUNTING STRAP	2	Series A0	
033	Y014872	SCREW, COIN METER STOP -	12	Series A0	
034	33001519	(UPR)	1	Series 16	
034	NLA	WIRE HARNESS, MAIN (LWR)	1	Series A0	

BDSPARTS.COM

MDG11CSAAW - 02 - CONTROL CENTER



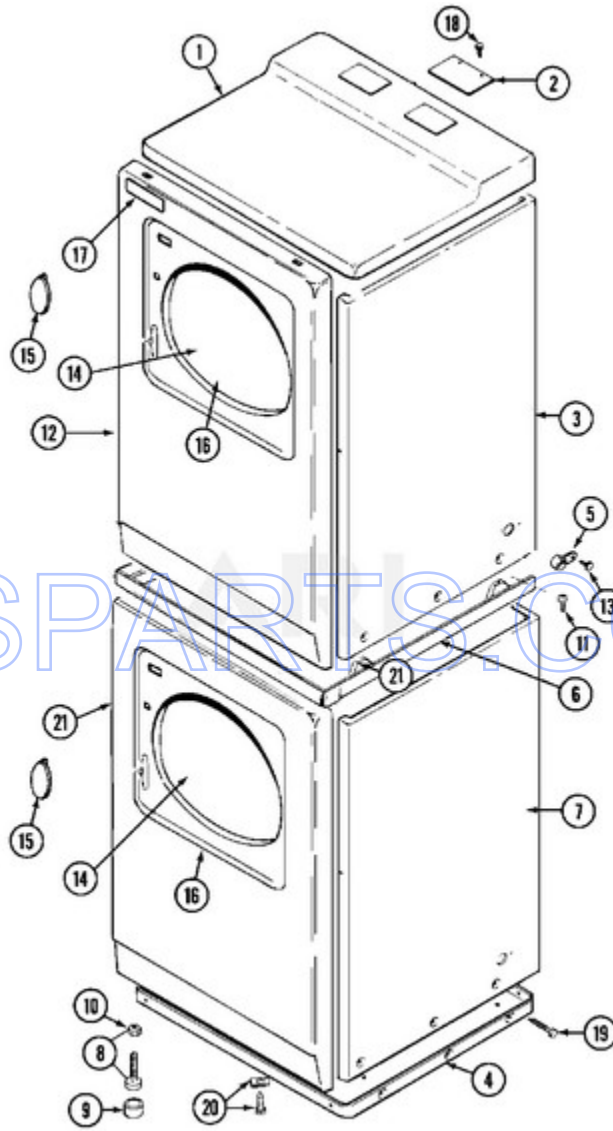
\* CONTACT YOUR COMMERCIAL LAUNDRY DISTRIBUTOR  
 Page design © 2004-2017 by ARI Network Services, Inc.

Ref #	Part #	Description	Qty	Context	Note	MSRP
001	Y307081	CASE, COIN METER (WHT)	2	Series	A0	
001	NLA	(ALM)	-	Series	A0	
002	205423L	(ALM)	-	Series	A0	
002	205423	BOX, COIN (WHT)	2	Series	A0	
003	212328	NUT, LOCK ASSEMBLY	2	Series	A0	
004	315277	SCREW, BY-PASS SWITCHES	4	Series	A0	
005	Y052634	NUT, BY-PASS SWITCHES	4	Series	A0	
006	910708	SCREW, TIMER	4	Series	A0	
007	305870	MOTOR, TIMER	2	Series	A0	
008	211168	SCREW, TIMER BRACKET	2	Series	A0	
009	215559	BOLT, LOCKING	2	Series	A0	
010	910387	LOCKWASHER, LOCKING BOLT	2	Series	A0	
011	Y052721	NUT, LOCKING BOLT	2	Series	A0	
012	NLA	SPRING, HELICAL	2	Series	A0	
013	314331	SPRING, TORSION RETURN	2	Series	A0	
014	314332	SPRING, ACTUATOR	2	Series	A0	
015	306104	ACTUATOR KIT	2	Series	A0	
016	212707	SCREW, SLIDE BRACKET	4	Series	A0	
017	305800	WIRE HARNESS, TIMER	2	Series	A0	
018	305813	TIMER	-	Series	A0	
018	305796	TIMER	2	Series	A0	
019	Y313671	GROMMET, CASE OPENING	2	Series	A0	
020	Y308109	ACTUATOR KIT	2	Series	A0	
021	NLA	TIMER TORSION ASSEMBLY	-	Series	A0	
021	305797	TORSION TIMER ASSEMBLY	2	Series	A0	
022	314337	SLIDER	2	Series	A0	
023	305798	SWITCH, BY-PASS (MOTOR)	2	Series	A0	
024	Y305799	SWITCH, BY-PASS (HEATER)	2	Series	A0	
025	211790	RETAINING, SPRING	2	Series	A0	
026	Y312270	CLIP, SPRING RETAINER	2	Series	A0	
027	314330	DRIVER, INDEX WHEEL	2	Series	A0	
028	314547	STOP, ADJUSTABLE RETURN	4	Series	A0	
028	314335	PEG, TIME ADJUSTMENT	2	Series	A0	
029	314339	BRACKET, SWITCH & SLIDER	2	Series	A0	
030	314546	WHEEL, INDEX	2	Series	A0	
031	211065	SPRING, INDEX WHEEL	2	Series	A0	
032	314548	ACTUATOR, WHEEL	2	Series	A0	
033	314334	BRACKET, COIN SLIDE	2	Series	A0	
034	314333	BRACKET, TIMER	2	Series	A0	

<b>Ref #</b>	<b>Part #</b>	<b>Description</b>	<b>Qty</b>	<b>Context Note</b>	<b>MSRP</b>
035	NLA	STOP, COIN METER	4	Series A0	
036	Y014872	SCREW, METER STOP	12	Series A0	

BDSPARTS.COM

MDG11CSAAW - 03 - FRONT VIEW

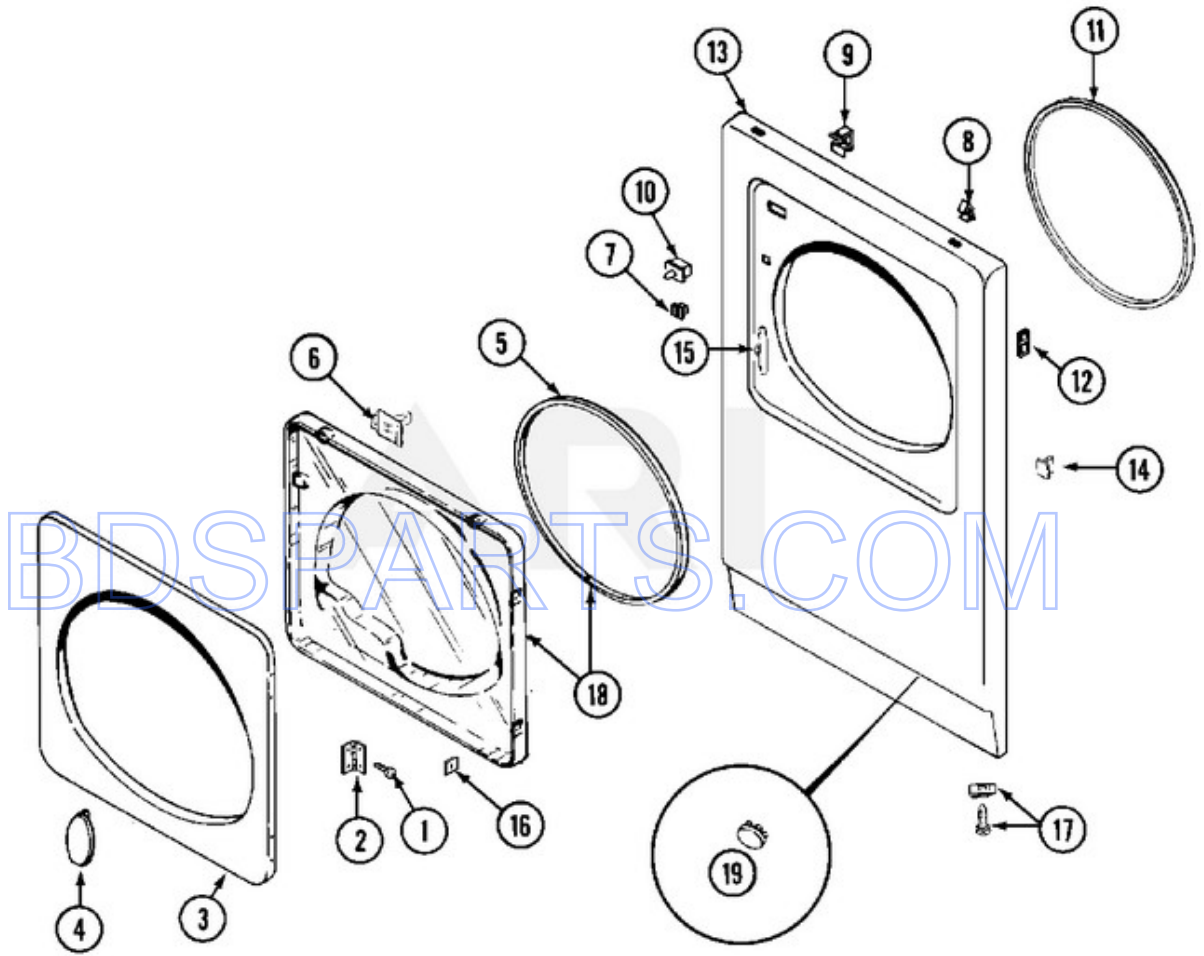


BDSPARTS.COM

Ref #	Part #	Description	Qty	Context	Note	MSRP
001	33001165	TOP COVER ASSEMBLY (WHT)	1	Series A0		
001	NLA	(ALM)	1	Series A0		
002	NLA	PLATE, COVER	2	Series A0		
003	NLA	CABINET (UPR-ALM)	2	Series A0		
004	306530	BASE ASSEMBLY	2	Series A0		
005	910768	CABLE STOP	2	Series A0		
006	33001302	(WHT)	1	Series A0		
006	NLA	SPACER ASSEMBLY (ALM)	1	Series A0		
006	Y310632	SCREW, SPACER ASSEMBLY	5	Series A0		
006	911050	SCREW, SPACER ASSEMBLY	1	Series A0		
007	NLA	CABINET (LWR-ALM)	1	Series A0		
008	Y302699	LEG, ADJUSTABLE (W/NUT)---S	4	Series A0		
009	210684	FOOT, RUBBER	2	Series A0		
010	210385	NUT, ADJUSTABLE LEG	4	Series A0		
011	314663	SCREW, TOP DRYER	4	Series A0		
012	NLA	PANEL, FRONT (WHT)	2	Series A0		
013	211168	SCREW, CABLE STRAP	2	Series A0		
014	33001203	PANEL, CLEAR INNER (W/SEAL)	2	Series A0		
015	314974	(ALM)	2	Series A0		
015	314939	HANDLE, DOOR (WHT)	2	Series A0		
016	314967	PANEL, OUTER (WHT)	2	Series A0		
016	NLA	(ALM)	2	Series A0		
017	NLA	NAME PLATE	1	Series A0		
018	Y313559	SCREW, COVER PLATE	2	Series A0		
019	213007	SCREW, CABINET	12	Series A0		
020	204439	SCREW & FASTENER ASSEMBLY	4	Series A0		
021	310933	FASTENER, SUPPORT ASSEMBLY	4	Series A0		

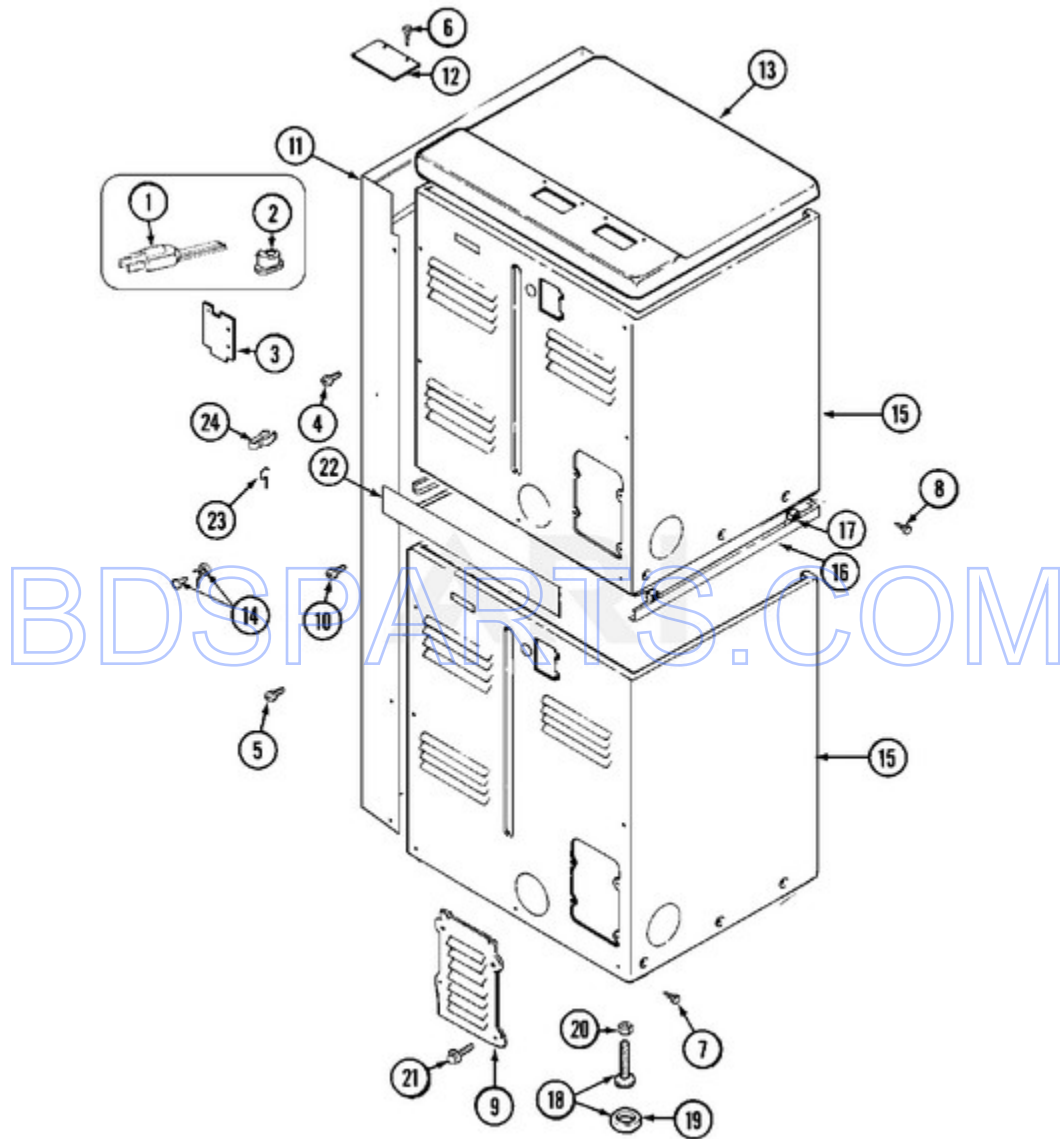


MDG11CSAAW - 04 - DOOR



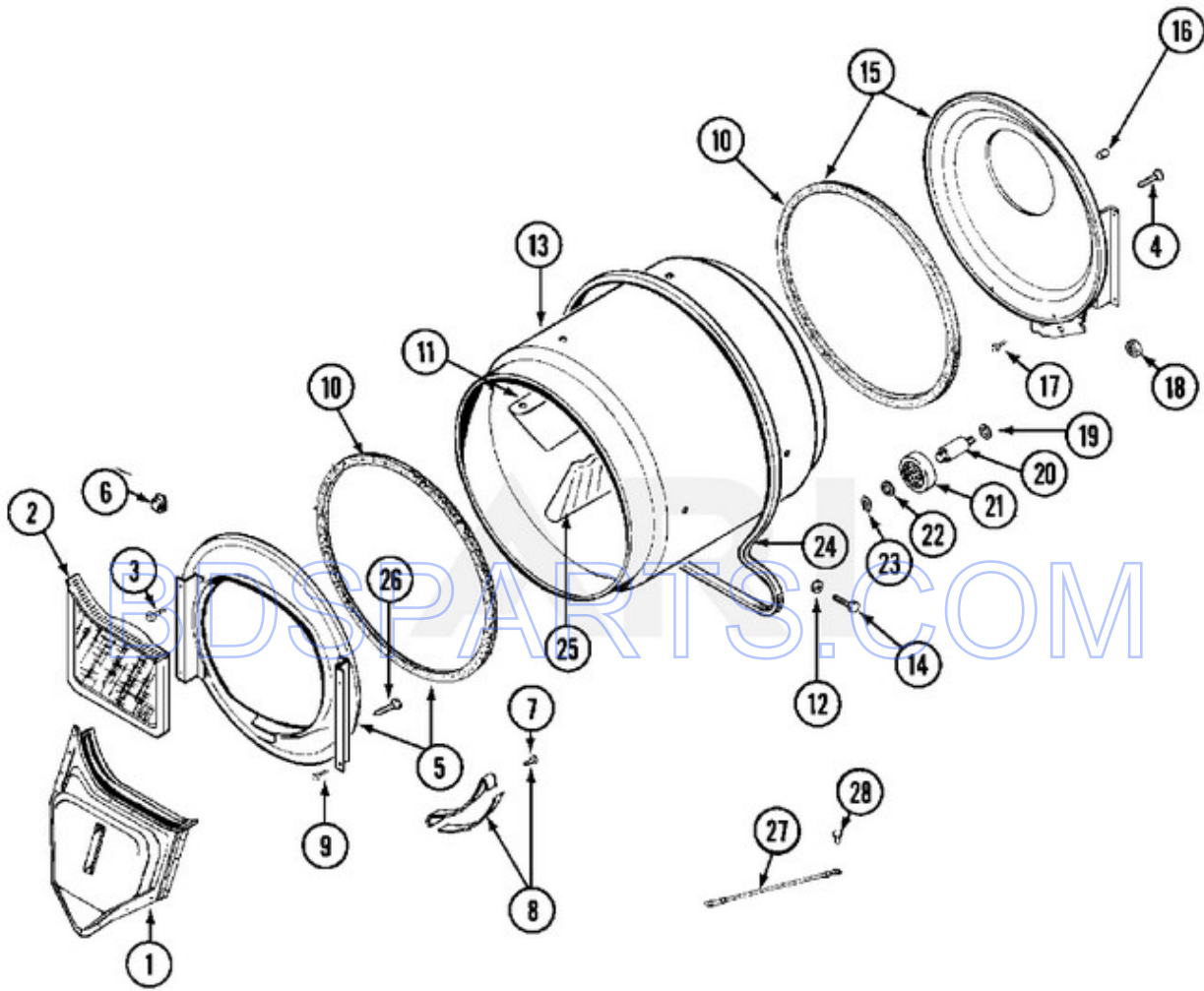
Ref #	Part #	Description	Qty	Context	Note	MSRP
001	Y314062	SCREW, DOOR HINGE & PANEL	28	Series	A0	
002	33001230	HINGE, DOOR	4	Series	A0	
003	314967	PANEL, OUTER (WHT)	2	Series	A0	
003	NLA	(ALM)	2	Series	A0	
004	314974	(ALM)	2	Series	A0	
004	314939	HANDLE, DOOR (WHT)	2	Series	A0	
005	33001192	SEAL, DOOR	2	Series	A0	
006	33001305	STRIKE, DOOR (W/BRACKET)	2	Series	A0	
007	Y304578	CATCH, DOOR (FEMALE)	4	Series	A0	
008	212982	FASTENER, SPRING	4	Series	A0	
009	Y310376	CLIP, CABLE	2	Series	A0	
010	Y305753	SWITCH, DOOR	2	Series	A0	
010	33001509	SWITCH, DOOR	2	Series	16	
011	314937	SEAL, FRONT PANEL	2	Series	A0	
012	NLA	SCREW, PLASTIC	8	Series	A0	
012	NLA	SPEEDNUT, HINGE SCREW	8	Series	A0	
013	NLA	PANEL, FRONT (WHT)	2	Series	A0	
014	NLA	PLUG, DOOR CATCH	2	Series	A0	
015	33001176	(ALM)	4	Series	A0	
015	33001175	COVER, HINGE HOLE (WHT)	4	Series	A0	
016	Y313910	FASTENER, INNER DOOR	18	Series	A0	
017	204439	SCREW & FASTENER ASSEMBLY	2	Series	A0	
018	33001203	PANEL, CLEAR INNER (W/SEAL)	2	Series	A0	
019	33001168	(ALM)	2	Series	A0	
019	33001132	PLUG, SIGHT HOLE (WHT)	2	Series	A0	

MDG11CSAAW - 05 - REAR VIEW



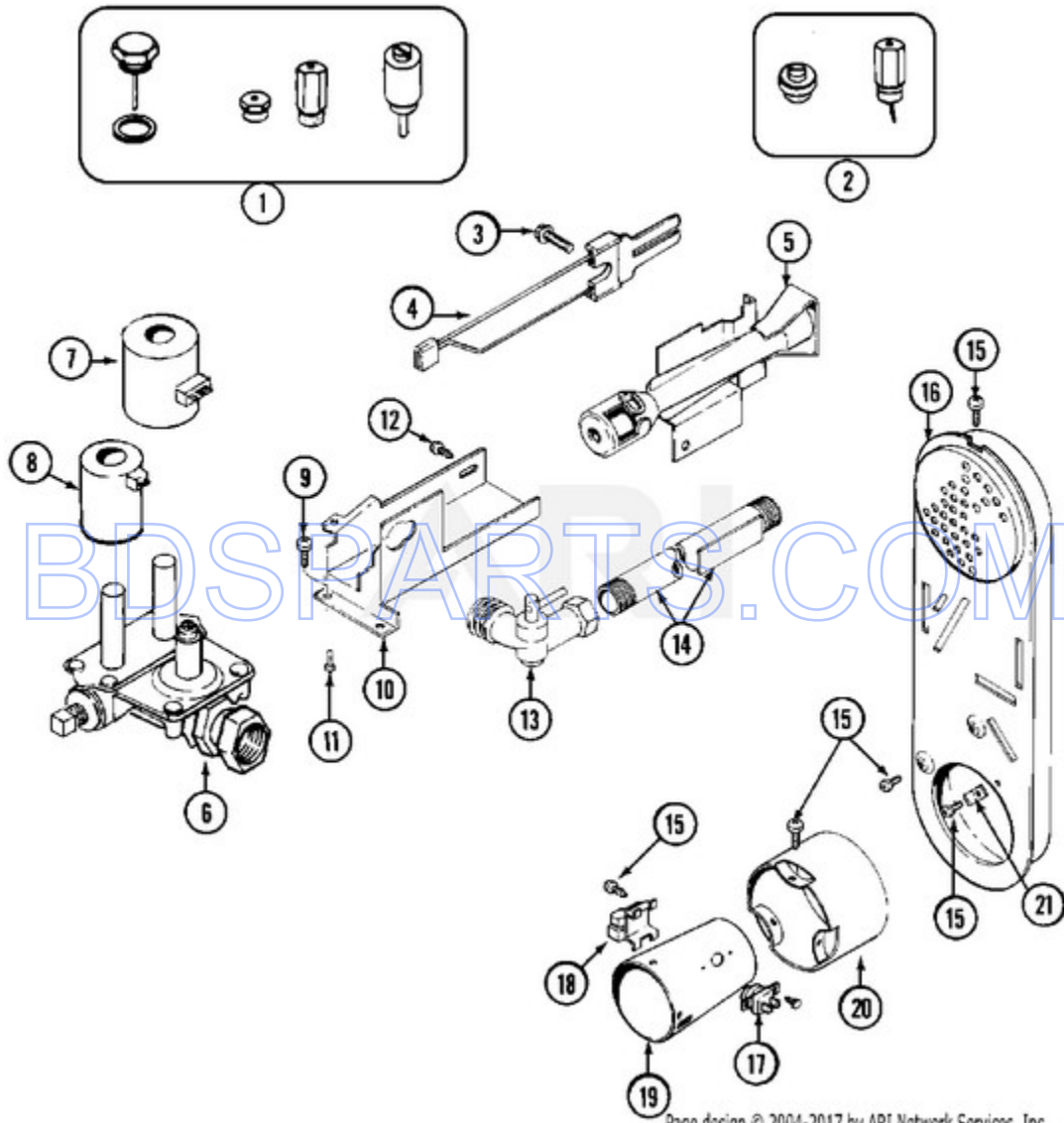
Ref #	Part #	Description	Qty	Context	Note	MSRP
001	33001284	CORD, POWER	2		Series A0	
002	211881	GROMMET, POWER CORD	2		Series A0	
003	Y312905	COVER, TERMINAL	2		Series A0	
004	Y313561	SCREW, TERMINAL COVER	8		Series A0	
005	NLA	SCREW, SHROUD	5		Series A0	
006	Y313559	SCREW, TOP COVER PLATE	2		Series A0	
007	213007	SCREW, CABINET	12		Series A0	
008	NLA	SCREW, SPACER ASSEMBLY	1		Series A0	
008	Y310632	SCREW, SPACER ASSEMBLY	5		Series A0	
009	Y313559	SCREW, ACCESS COVER	2		Series A0	
009	211294	SCREW, ACCESS COVER	5		Series A0	
010	Y310632	SCREW, FILLER STRIP	2		Series A0	
010	Y313561	SCREW, FILLER STRIP	1		Series A0	
011	NLA	SHROUD, CONTROL (WHT)	1		Series A0	
012	NLA	PLATE, TOP COVER	2		Series A0	
013	33001165	TOP COVER ASSEMBLY (WHT)	1		Series A0	
013	NLA	(ALM)	1		Series A0	
014	NLA	SCREW & WASHER ASSEMBLY	1		Series A0	
015	NLA	CABINET (UPR-ALM)	1		Series A0	
015	Y310632	SCREW, CABINET	4		Series A0	
016	33001302	(WHT)	1		Series A0	
016	NLA	SPACER ASSEMBLY (ALM)	1		Series A0	
017	310933	FASTENER, SPACER ASSEMBLY	4		Series A0	
018	Y302699	LEG, ADJUSTABLE (W/NUT)---S	4		Series A0	
019	210684	FOOT, RUBBER	4		Series A0	
020	210385	NUT, ADJUSTABLE LEG	4		Series A0	
021	Y312951	COVER, ACCESS	2		Series A0	
022	NLA	STRIP, FILLER	1		Series A0	
023	311155	GROUND WIRE	1		Series A0	
024	301548	CLAMP, GROUND (W/SCREW)	1		Series A0	

MDG11CSAAW - 06 - TUMBLER



Ref #	Part #	Description	Qty	Context Note	MSRP
001	33001016	OUTLET DUCT ASSEMBLY	2	Series A0	
002	33001170	FILTER, LINT	2	Series A0	
003	NLA	SCREW, TUMBLER SUPPORT	8	Series A0	
004	Y313561	SCREW, TUMBLER FRONT & BACK	4	Series A0	
005	33001179	FRONT, TUMBLER (W/SEAL)	2	Series A0	
006	Y310376	CLIP, CABLE	2	Series A0	
007	210720	RIVET	8	Series A0	
008	306508	TUMBLER BEARING KIT ----W	4	Series A0	
009	Y310632	SCREW, TUMBLER FRONT	6	Series A0	
010	314820	SEAL, TUMBLER	4	Series A0	
011	33001012	BAFFLE (SHORT)	2	Series A0	
012	314158	WASHER, BAFFLE SCREW	12	Series A0	
013	33001108	DRYER TUMBLER, W/O BAFFLES	2	Series A0	
014	Y310759	SCREW, TUMBLER BAFFLE	12	Series A0	
015	33001178	BACK, TUMBLER (W/SEAL)	2	Series A0	
016	NLA	COVER, THREAD	8	Series A0	
017	Y310632	SCREW, TUMBLER BACK	6	Series A0	
018	312538	NUT, ROLLER SHAFT	4	Series A0	
019	Y313347	WASHER, SPRING (ROLLER SFT)	4	Series A0	
020	Y312948	SHAFT, TUMBLER ROLLER----C	4	Series A0	
021	Y303373	ROLLER (W/BEARING)	4	Series A0	
022	312535	WASHER, ROLLER SHAFT	4	Series A0	
023	410233	RING, RETAINING	4	Series A0	
024	Y312959	BELT, DRUM	2	Series A0	
025	33001004	BAFFLE, TALL	4	Series A0	
026	Y314110	SCREW, OUTLET DUCT	8	Series A0	
027	901220	GROUND WIRE	2	Series A0	
028	910343	SCREW, GROUND WIRE	2	Series A0	

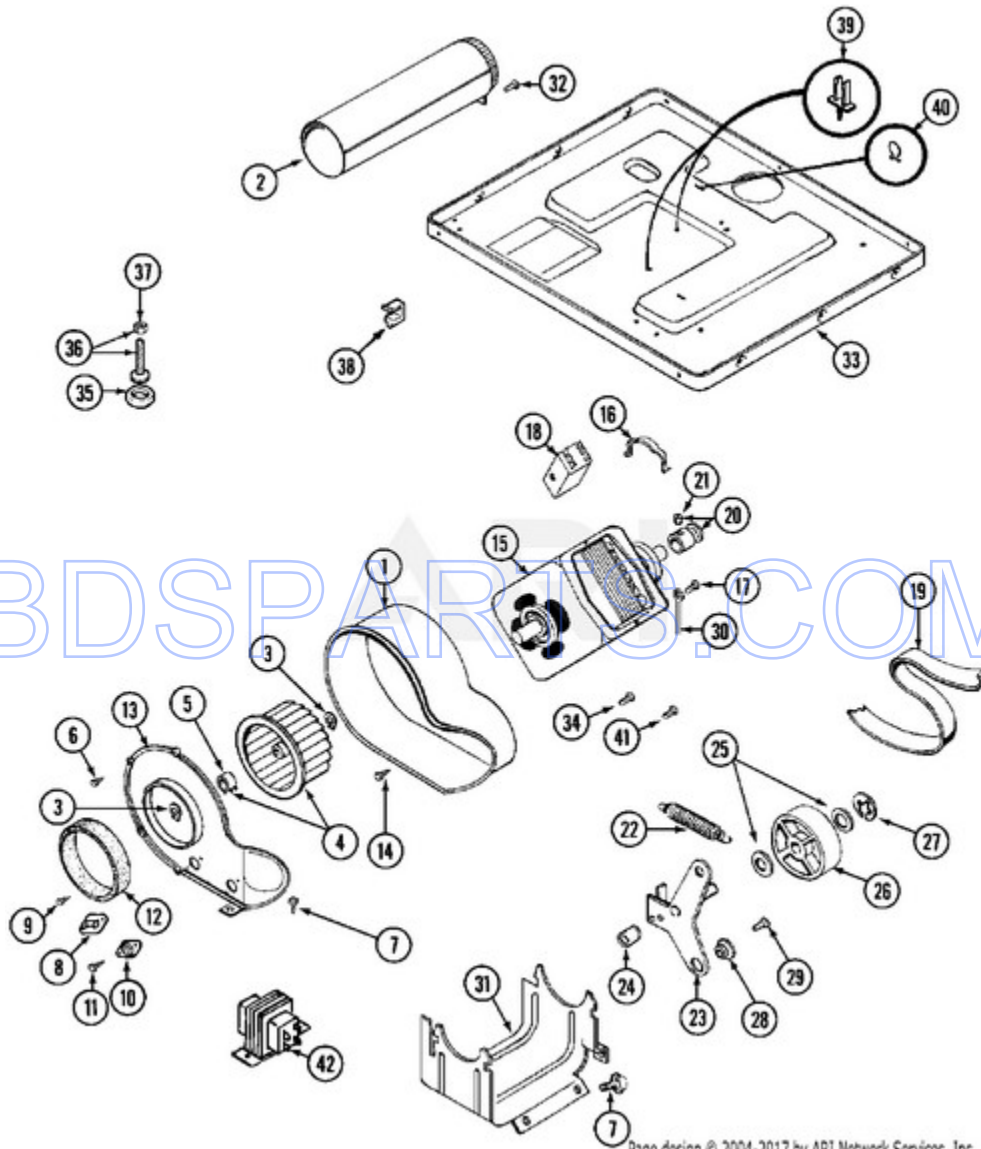
MDG11CSAAW - 07 - GAS VALVE



Ref #	Part #	Description	Qty	Context Note	MSRP
001	Y308378	CONVERSION KIT (NAT TO LP)	1	Series A0	
002	Y308377	CONVERSION KIT (LP TO NAT.)	1	Series A0	
003	304971	SCREW, IGNITER	2	Series A0	
004	304970	IGNITER ASSEMBLY	2	Series A0	
005	33001247	BURNER ASSEMBLY	2	Series A0	
006	308345	VALVE, GAS	2	Series A0	
007	306106	COIL, HOLDING & BOOSTER--W	2	Series A0	
008	306105	COIL, SECONDARY--W	2	Series A0	
009	Y313561	SCREW, GAS VALVE	2	Series A0	
010	314566	BRACKET, GAS VALVE	2	Series A0	
011	Y313559	SCREW, GAS VALVE ASSEMBLY	2	Series A0	
012	314568	SCREW, GAS VALVE	2	Series A0	
012	314082	SCREW, GAS VALVE	2	Series A0	
013	Y303349	SHUT-OFF, GAS VALVE	2	Series A0	
014	Y303383	PIPE & BRACKET ASSEMBLY	2	Series A0	
015	211294	SCREW, DUCT, CONE & SENSOR	28	Series A0	
016	Y308504	INLET DUCT ASSEMBLY	2	Series A0	
017	305169	THERMOSTAT, HI-LIMIT GAS	2	Series A0	
018	Y303377	SENSOR, RADIANT	2	Series A0	
019	Y308548	COMBUSTION CONE ASSEMBLY	2	Series A0	
020	Y303841	EXTENSION, CONE (W/SCREWS)	2	Series A0	
021	Y312890	RETAINER, HEATER CHAMBER	2	Series A0	



MDG11CSAAW - 08 - MOTOR DRIVE



Ref #	Part #	Description	Qty	Context	Note	MSRP
001	Y312893	HOUSING, BLOWER	2	Series A0		
002	Y303442	EXHAUST DUCT ASSEMBLY	2	Series A0		
003	410233	RING, RETAINING	4	Series A0		
004	Y303836	BLOWER WHEEL ASSEMBLY	2	Series A0		
005	312967	CLAMP, BLOWER WHEEL	2	Series A0		
006	Y312961	SCREW, HOUSING COVER	12	Series A0		
007	Y313561	SCREW, HOUSING COVER	6	Series A0		
008	306966	THERMOSTAT, CYCLING (155 DEG.)	2	Series A0		
008	Y303225	THERMOSTAT, PERMANENT PRESS	2	Series A0		
008	33001306	WIRE HARNESS, THERMOSTATS	2	Series A0		
008	303392	THERMOSTAT, CYCLING (140 DEG.)	2	Series A0		
009	211294	SCREW, THERMOSTATS	8	Series A0		
010	306604	THERMAL CUT-OFF	2	Series A0		
011	NLA	SCREW, THERMAL CUT-OFF	4	Series A0		
012	Y312901	SEAL, HOUSING COVER	2	Series A0		
013	314847	COVER, BLOWER HOUSING	2	Series A0		
014	314818	SCREW, BLOWER HOUSING	8	Series A0		
015	Y303358	MOTOR	2	Series A0		
016	Y015825	CLIP, MOTOR	4	Series A0		
017	910343	SCREW, GROUND WIRE	2	Series A0		
018	306207	(PROD. No. 303358-8 & 303358-9)				
018	Y303877	SWITCH, MOTOR EXTERNAL START (PROD. No. 303358-2, 303358-4)	2	Series A0		
018	Y303879	SWITCH, MOTOR EXTERNAL START (PROD. No. 303358 & 303358-6)	2	Series A0		
018	NLA	SWITCH, MOTOR EXTERNAL START	2	Series A0		
019	Y312959	BELT, TUMBLER & MOTOR	2	Series A0		
020	Y305185	PULLEY, MOTOR (W/SET SCREW)	2	Series A0		
021	Y053241	SCREW, SET	2	Series A0		
022	Y303945	IDLER SPRING ASSEMBLY	2	Series A0		
023	Y303363	IDLER ARM & SHAFT ASSEMBLY	2	Series A0		
024	Y313582	SPACER, IDLER BRACKET	2	Series A0		
025	Y312527	WASHER, IDLER SHAFT (QTY-1)	4	Series A0		
026	Y303705	PULLEY, IDLER (W/BEARING)	2	Series A0		
027	312958	RING, RETAINING	2	Series A0		
028	Y312894	SLEEVE, IDLER ARM ----S	2	Series A0		
029	Y014874	SCREW, IDLER ARM	2	Series A0		
030	901220	GROUND WIRE	2	Series A0		
031	NLA	SUPPORT, MOTOR	2	Series A0		
032	Y310632	SCREW, EXHAUST DUCT	2	Series A0		

Ref #	Part #	Description	Qty	Context	Note	MSRP
033	Y307482	(UPR)	1		Series A0	
033	306530	BASE ASSEMBLY (LWR)	1		Series A0	
034	211294	SCREW, GROUND WIRE	2		Series A0	
035	210684	FOOT, RUBBER	8		Series A0	
036	Y302699	LEG, ADJUSTABLE (W/NUT)	8		Series A0	
037	210385	NUT, ADJUSTABLE LEG	8		Series A0	
038	Y310376	CLIP, CABLE	2		Series A0	
039	315471	RETAINER, WIRE HARNESS	6		Series A0	
040	410490	SPRING, WIRE HARNESS	4		Series A0	
041	Y312961	SCREW, SPACER	2		Series A0	
042	W10124350	NOT REQUIRED PART OR SEE NOTE	-		Series A0	
042	W10124350	NOT REQUIRED PART OR SEE NOTE	-		Series A0	

BDSPARTS.COM