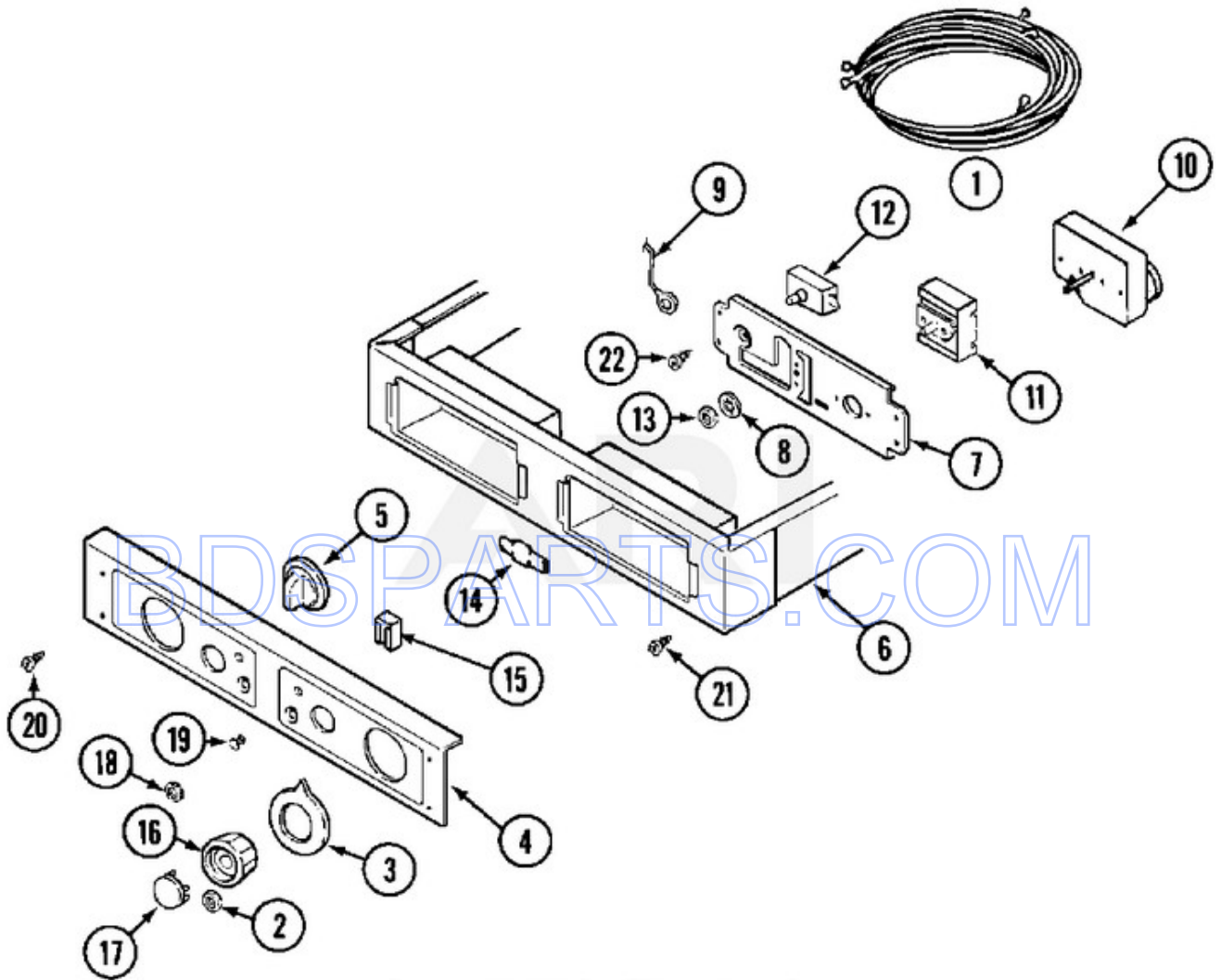
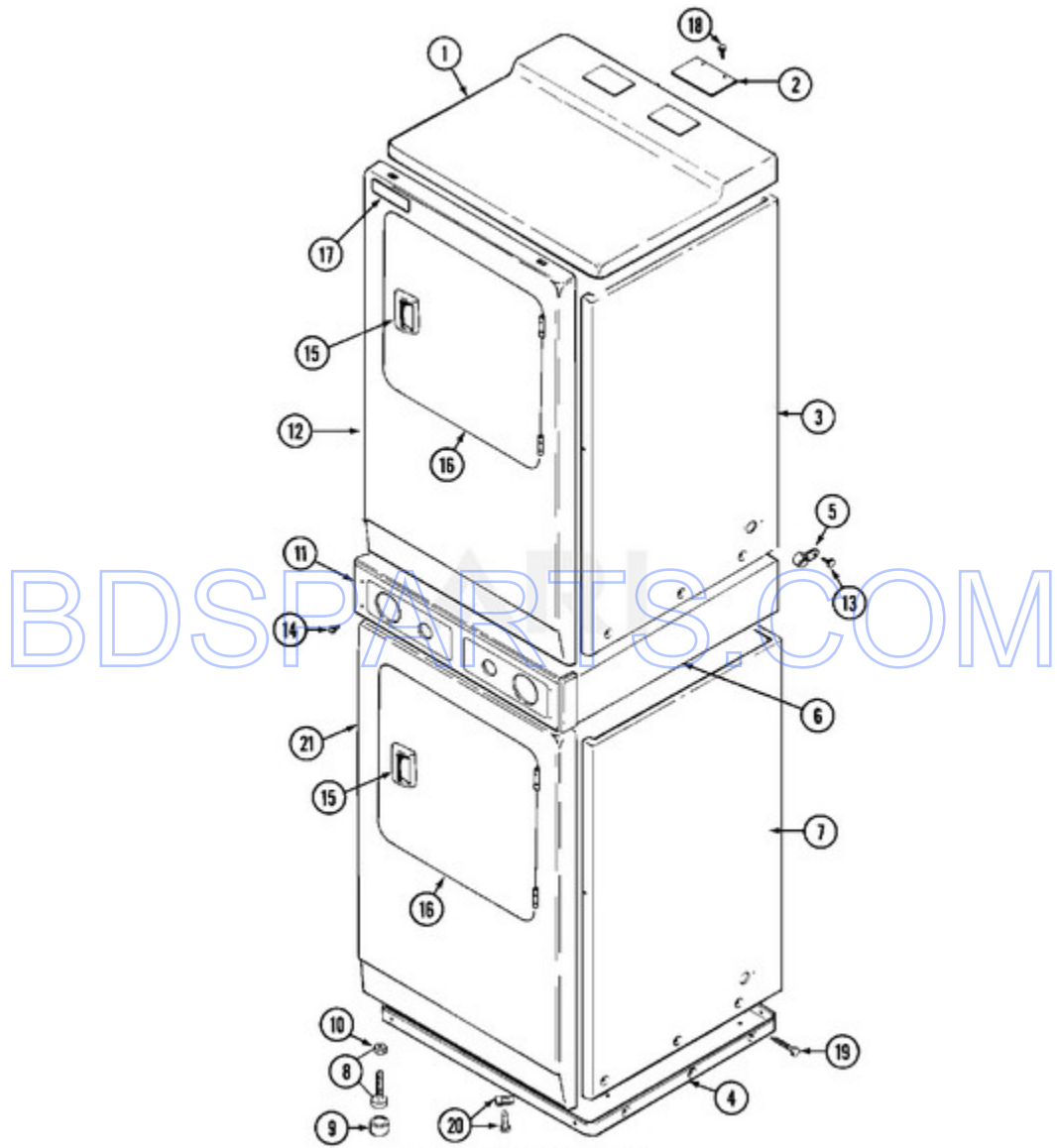


MDG11MNAAW - 01 - CONTROL PANEL & SUPPORT ASSY.



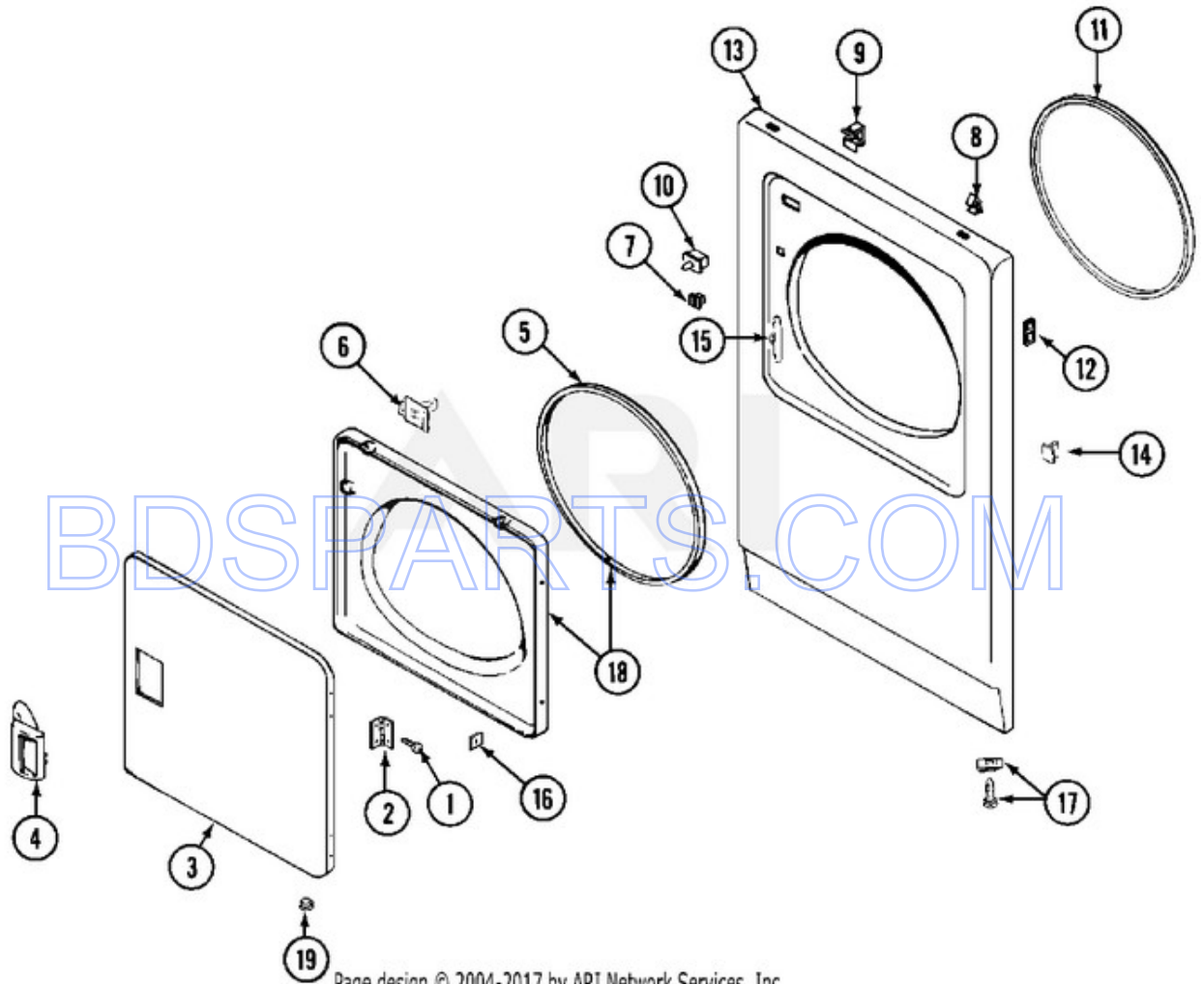
Ref #	Part #	Description	Qty	Context	Note	MSRP
001	33001525	WIRE HARNESS, MAIN (UPR)	1	Series 16		
001	NLA	(UPR)	-	Series A0		
001	314522	GROMMET, STRAIN RELIEF	3	Series A0		
001	308515	(LWR)	1	Series A0		
001	Y308499	WIRE HARNESS, MAIN (LWR)	-	Series A0		
002	312273	NUT, TIMER KNOB	2	Series A0		
003	314725	DIAL, TIMER INDICATOR	2	Series A0		
003	33001500	DIAL, TIMER INDICATOR	2	Series 12		
004	NLA	PANEL, CONTROL	1	Series A0		
005	205663	KNOB, CYCLE SELECTOR	2	Series A0		
006	Y310632	SCREW, SUPPORT ASSEMBLY	5	Series A0		
006	NLA	SUPPORT ASSEMBLY (WHT)	1	Series A0		
007	NLA	BRACKET, CONTROL MOUNTING	2	Series A0		
008	312751	LOCKWASHER, START SWITCH	2	Series A0		
009	211252	SCREW, GROUND WIRE	2	Series A0		
009	205810	WIRE, GROUND	2	Series A0		
009	211168	SCREW, GROUND WIRE	2	Series A0		
010	Y307296	TIMER RPR	2	Series A0		
010	Y307496	TIMER	-	Series A0		
011	306940	SWITCH, PUSH-TO-START	2	Series A0		
012	307253	SWITCH, CYCLE SELECTOR	2	Series A0		
13	Y312706	NUT, START SWITCH	2	Series A0		
14	Y201110	CONNECTOR, WIRE	2	Series A0		
015	NLA	LIGHT, INDICATOR	-	Series A0		
15	204075	LIGHT, INDICATOR	2	Series A0		
16	314724	KNOB, TIMER	2	Series A0		
17	314723	CAP, TIMER KNOB	2	Series A0		
018	Y312702	KNURLED NUT, START SWITCH	2	Series A0		
19	215564	LENS, INDICATOR LIGHT	2	Series A0		
20	215506	SCREW, CONTROL PANEL	4	Series A0		
21	910186	SCREW, MOUNTING BRACKET	6	Series A0		
022	Y313588	SCREW, TIMER & CYCLE SELECTOR	8	Series A0		

MDG11MNAAW - 02 - FRONT



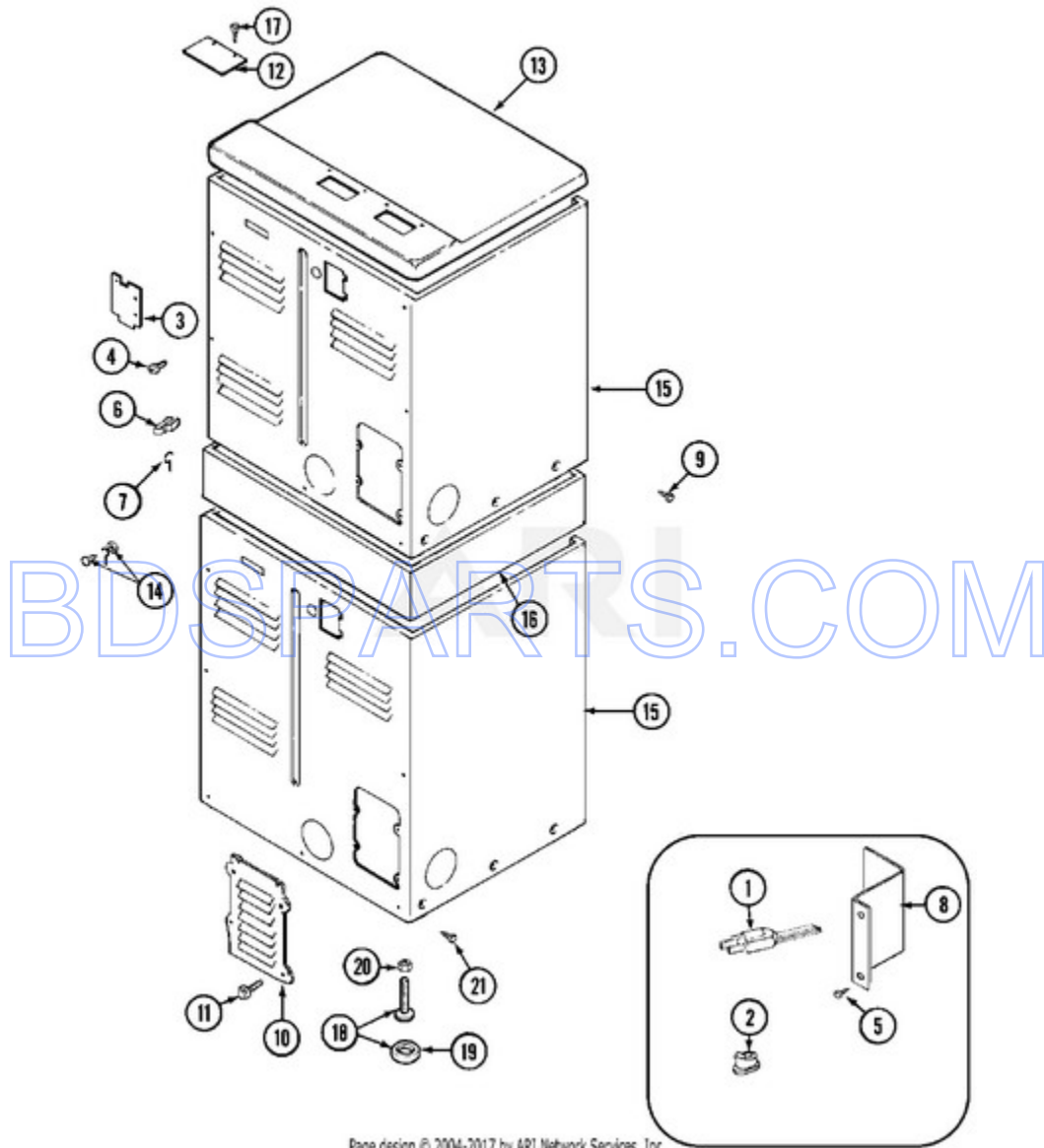
Ref #	Part #	Description	Qty	Context	Note	MSRP
001	33001165	TOP COVER ASSEMBLY (WHT)	1	Series A0		
002	NLA	PLATE, COVER	2	Series A0		
003	NLA	CABINET (WHT)	1	Series A0		
004	Y307482	(UPR)	1	Series A0		
004	306530	BASE ASSEMBLY (LWR)	1	Series A0		
005	910768	STOP, CABLE	2	Series A0		
006	314663	SCREW, SUPPORT	2	Series A0		
006	911050	SCREW, SUPPORT	1	Series A0		
006	Y310632	SCREW, SUPPORT	5	Series A0		
006	NLA	SUPPORT ASSEMBLY (WHT)	1	Series A0		
007	NLA	CABINET (WHT)	1	Series A0		
008	Y302699	LEG, ADJUSTABLE (W/NUT)	4	Series A0		
009	210684	FOOT, RUBBER	4	Series A0		
010	210385	NUT, ADJUSTABLE LEG	4	Series A0		
011	NLA	PANEL, CONTROL	1	Series A0		
012	NLA	PANEL, FRONT (UPR-WHT)	1	Series A0		
13	211168	SCREW, CABLE STOP	2	Series A0		
14	215506	SCREW, CONTROL PANEL	4	Series A0		
15	33001241	HANDLE, DOOR (WHT)	2	Series A0		
16	33001240	DOOR (WHT)	2	Series A0		
017	NLA	NAME PLATE	1	Series A0		
018	Y313559	SCREW, COVER PLATE	2	Series A0		
19	213007	SCREW, CABINET SIDES	12	Series A0		
20	204439	SCREW & CLIP ASSEMBLY	2	Series A0		
021	NLA	PANEL, FRONT (LWR-WHT)	1	Series A0		

MDG11MNAAW - 03 - DOOR



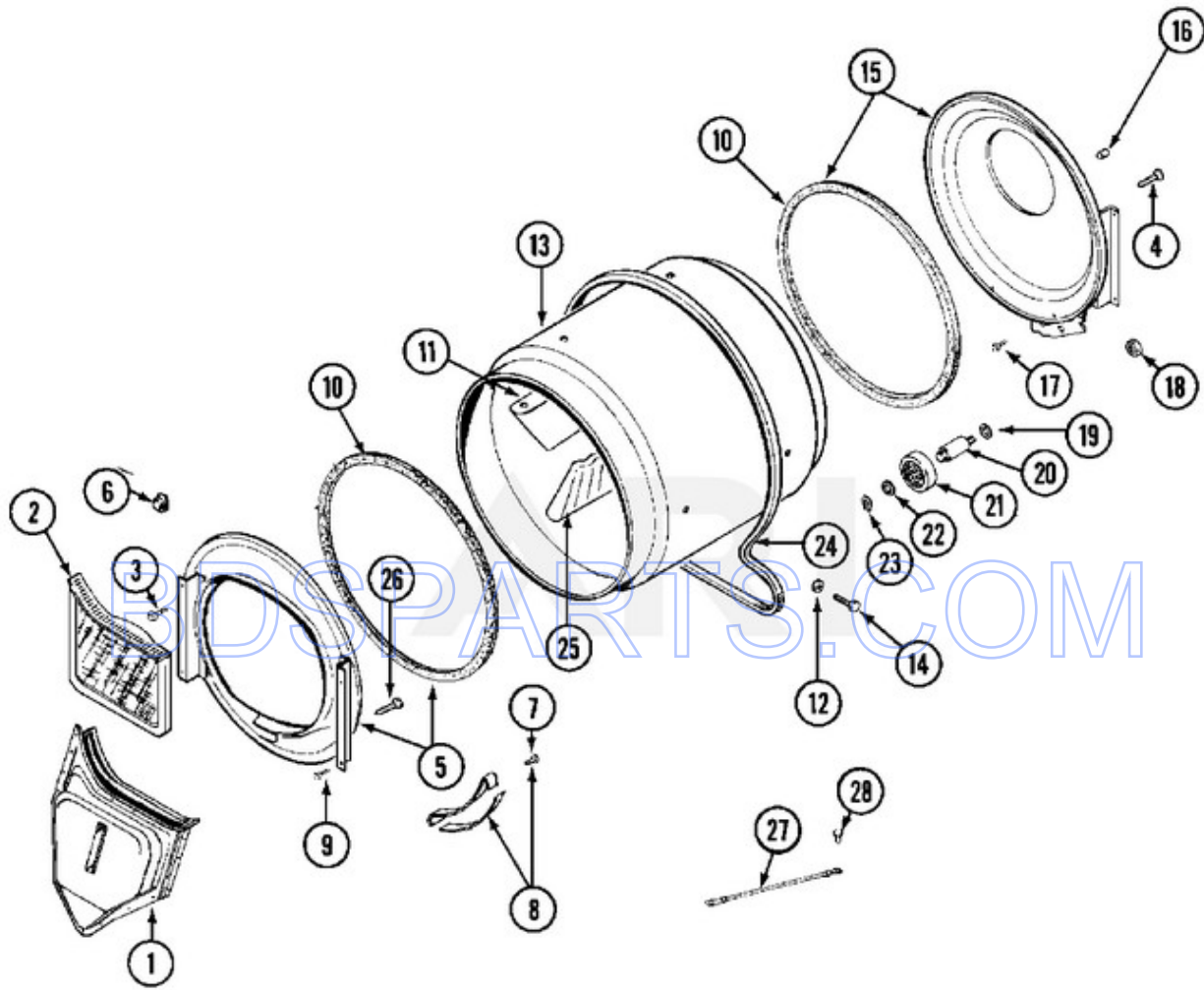
Ref #	Part #	Description	Qty	Context	Note	MSRP
001	Y314062	SCREW, HINGE & PANEL	28	Series A0		
002	33001230	HINGE, DOOR	4	Series A0		
003	33001240	DOOR (WHT)	2	Series A0		
004	33001241	HANDLE, DOOR (WHT)	2	Series A0		
005	33001131	SEAL, DOOR	2	Series A0		
006	33001305	STRIKE, DOOR (W/BRACKET)	2	Series A0		
007	Y304578	CATCH, DOOR (FEMALE)	4	Series A0		
008	212982	FASTENER, SPRING	4	Series A0		
009	Y310376	CLIP, WIRE HARNESS	6	Series A0		
010	Y305753	SWITCH, DOOR	2	Series A0		
010	33001509	SWITCH, DOOR	1	Series 16		
011	314937	SEAL, FRONT PANEL	2	Series A0		
012	NLA	FASTENER CLIP	8	Series A0		
12	NLA	CLIP, HINGE SCREW	8	Series A0		
13	NLA	PANEL, FRONT (LWR-WHT)	1	Series A0		
14	NLA	PLUG, DOOR CATCH	2	Series A0		
015	33001175	COVER, HINGE HOLE (WHT)	4	Series A0		
016	Y313910	CLIP, INNER DOOR SCREW	18	Series A0		
017	204439	SCREW & CLIP ASSEMBLY	2	Series A0		
017	NLA	CLIP, CABINET SCREW	2	Series A0		
18	33001243	PANEL, INNER DOOR (W/SEAL)	2	Series A0		
19	33001132	PLUG, SIGHT HOLE & DOOR (WHT)	6	Series A0		

MDG11MNAAW - 04 - REAR



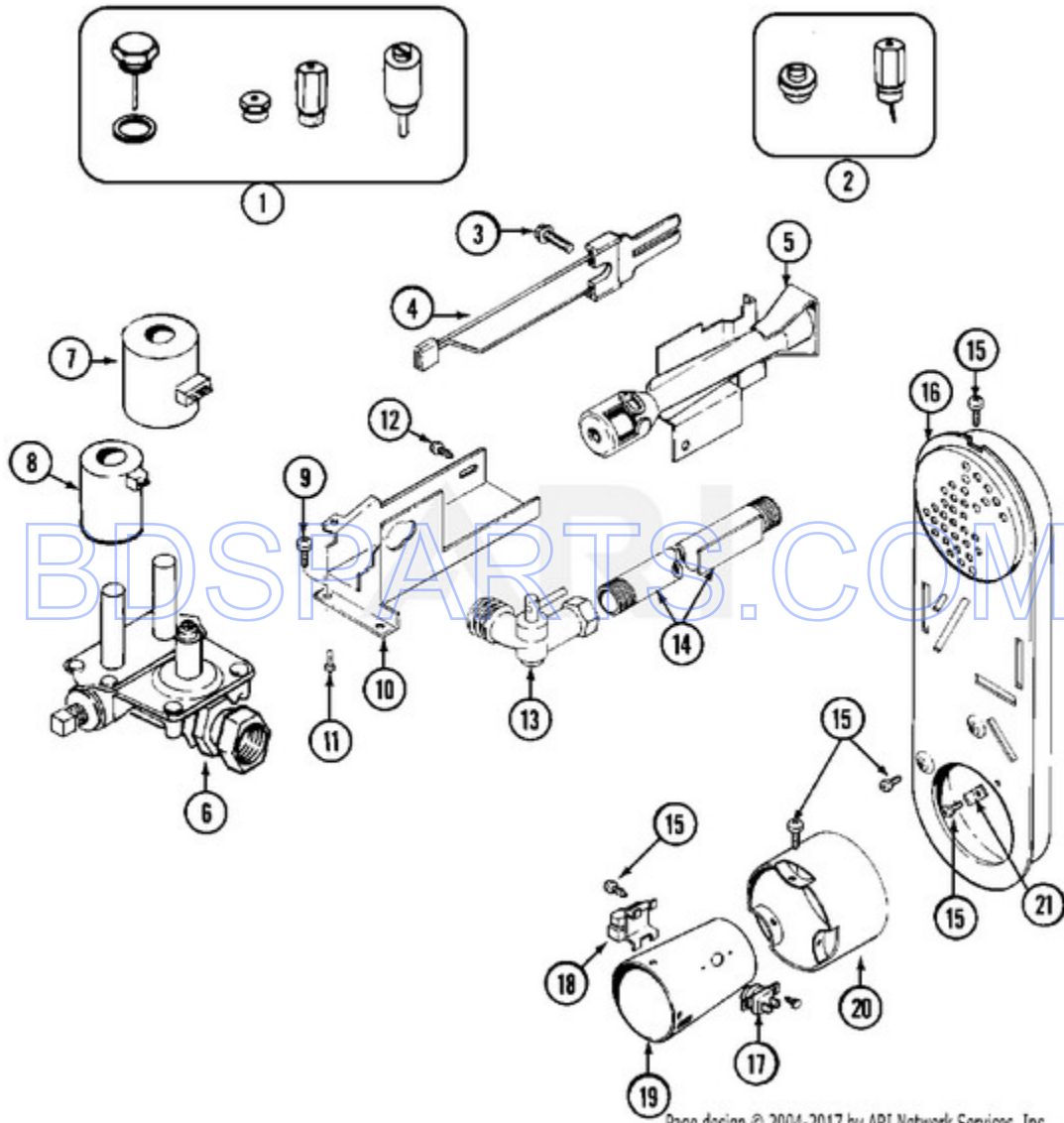
Ref #	Part #	Description	Qty	Context	Note	MSRP
001	33001246	CORD, POWER	2	Series A0		
001	33001285	CORD, POWER	-	Series A0		
001	311484	NUT, TERMINAL CONNECTION	2	Series A0		
001	311093	WASHER, TERMINAL CONNECTION	2	Series A0		
001	308966	CORD, POWER (EXPORT)	-	Series A0		
002	211881	GROMMET, POWER CORD	2	Series A0		
002	NLA	GROMMET, POWER CORD	-	Series A0		
003	Y312905	COVER, TERMINAL	2	Series A0		
004	Y313561	SCREW, TERMINAL COVER	8	Series A0		
005	Y312209	SCREW, TERMINAL BRACKET	4	Series A0		
006	313122	SCREW, CLAMP	1	Series A0		
006	301548	CLAMP, GROUND WIRE (W/SCREW)	1	Series A0		
007	311155	WIRE, GROUND	1	Series A0		
008	Y312904	BRACKET, TERMINAL BLOCK	2	Series A0		
009	NLA	SCREW, SUPPORT	1	Series A0		
009	Y310632	SCREW, SUPPORT	5	Series A0		
010	Y312951	COVER, ACCESS	1	Series A0		
011	Y313559	SCREW, ACCESS COVER	2	Series A0		
011	211294	SCREW, ACCESS COVER	2	Series A0		
12	NLA	PLATE, TOP COVER	2	Series A0		
013	33001165	TOP COVER ASSEMBLY (WHT)	1	Series A0		
14	NLA	SCREW & WASHER ASSEMBLY	1	Series A0		
15	NLA	CABINET (LWR-WHT)	1	Series A0		
15	Y310632	SCREW, CABINET	4	Series A0		
16	NLA	SUPPORT ASSEMBLY (WHT)	1	Series A0		
17	Y313559	SCREW, TOP COVER PLATE	2	Series A0		
18	Y302699	LEG, ADJUSTABLE (W/NUT)---S	4	Series A0		
19	210684	FOOT, RUBBER	4	Series A0		
20	210385	NUT, ADJUSTABLE LEG	4	Series A0		
21	213007	SCREW, CABINET SIDES	12	Series A0		

MDG11MNAAW - 05 - TUMBLER



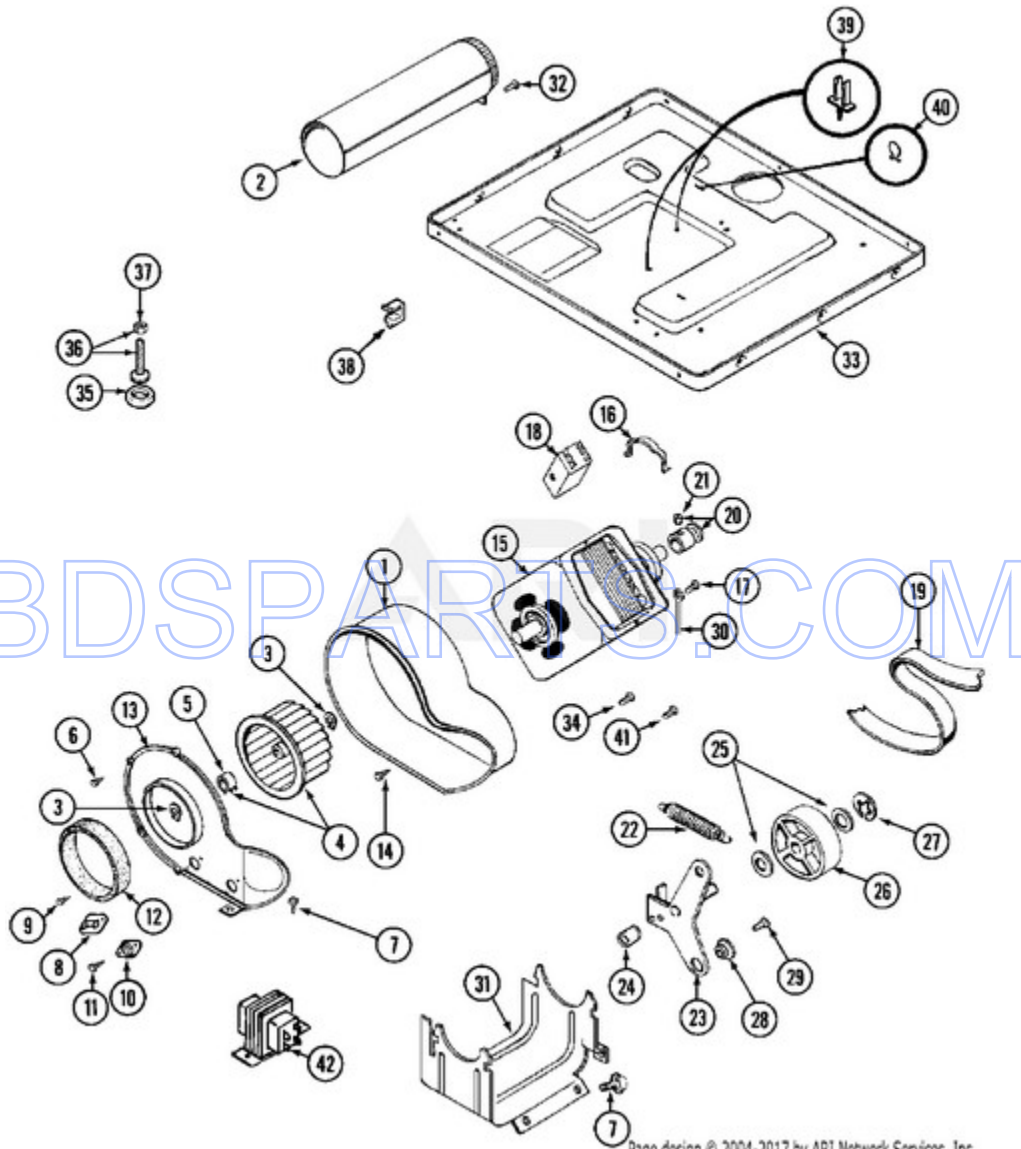
Ref #	Part #	Description	Qty	Context	Note	MSRP
001	33001016	OUTLET DUCT ASSEMBLY	2		Series A0	
002	33001170	FILTER, LINT	2		Series A0	
003	NLA	SCREW, TUMBLER SUPPORT	8		Series A0	
004	Y313561	SCREW, TUMBLER FRONT & BACK	4		Series A0	
005	33001179	FRONT, TUMBLER (W/SEAL)	2		Series A0	
006	Y310376	CLIP, CABLE	2		Series A0	
007	210720	RIVET	8		Series A0	
008	306508	TUMBLER BEARING KIT ----W	4		Series A0	
009	Y310632	SCREW, TUMBLER FRONT	6		Series A0	
010	314820	SEAL, TUMBLER	4		Series A0	
011	33001012	BAFFLE (SHORT)	2		Series A0	
012	314158	WASHER, BAFFLE SCREW	12		Series A0	
013	33001108	DRYER TUMBLER, W/O BAFFLES	2		Series A0	
014	Y310759	SCREW, TUMBLER BAFFLE	12		Series A0	
015	33001178	BACK, TUMBLER (W/SEAL)	2		Series A0	
016	NLA	COVER, THREAD	8		Series A0	
017	Y310632	SCREW, TUMBLER BACK	6		Series A0	
018	312538	NUT, ROLLER SHAFT	4		Series A0	
19	Y313347	WASHER, SPRING (ROLLER SFT)	4		Series A0	
20	Y312948	SHAFT, TUMBLER ROLLER----C	4		Series A0	
21	Y303373	ROLLER (W/BEARING)	4		Series A0	
22	312535	WASHER, ROLLER SHAFT	4		Series A0	
23	410233	RING, RETAINING	4		Series A0	
024	Y312959	BELT, DRUM	2		Series A0	
025	33001004	BAFFLE, TALL	4		Series A0	
026	Y314110	SCREW, OUTLET DUCT	8		Series A0	
27	901220	GROUND WIRE	2		Series A0	
28	910343	SCREW, GROUND WIRE	2		Series A0	

MDG11MNAAW - 06 - GAS VALVE



Ref #	Part #	Description	Qty	Context	Note	MSRP
001	Y308378	CONVERSION KIT (NAT TO LP)	1	Series	A0	
002	Y308377	CONVERSION KIT (LP TO NAT.)	1	Series	A0	
003	304971	SCREW, IGNITER	2	Series	A0	
004	304970	IGNITER ASSEMBLY	2	Series	A0	
005	33001247	BURNER ASSEMBLY	2	Series	A0	
006	308345	VALVE, GAS	2	Series	A0	
007	306106	COIL, HOLDING & BOOSTER--W	2	Series	A0	
008	306105	COIL, SECONDARY--W	2	Series	A0	
009	Y313561	SCREW, GAS VALVE	2	Series	A0	
010	314566	BRACKET, GAS VALVE	2	Series	A0	
011	Y313559	SCREW, GAS VALVE ASSEMBLY	2	Series	A0	
012	314568	SCREW, GAS VALVE	2	Series	A0	
012	314082	SCREW, GAS VALVE	2	Series	A0	
13	Y303349	SHUT-OFF, GAS VALVE	2	Series	A0	
14	Y303383	PIPE & BRACKET ASSEMBLY	2	Series	A0	
15	211294	SCREW, DUCT, CONE & SENSOR	28	Series	A0	
16	Y308504	INLET DUCT ASSEMBLY	2	Series	A0	
017	305169	THERMOSTAT, HI-LIMIT GAS	2	Series	A0	
18	Y303377	SENSOR, RADIANT	2	Series	A0	
19	Y308548	COMBUSTION CONE ASSEMBLY	2	Series	A0	
20	Y303841	EXTENSION, CONE (W/SCREWS)	2	Series	A0	
21	Y312890	RETAINER, HEATER CHAMBER	2	Series	A0	

MDG11MNAAW - 07 - MOTOR DRIVE



Ref #	Part #	Description	Qty	Context	Note	MSRP
001	Y312893	HOUSING, BLOWER	2	Series A0		
002	Y303442	EXHAUST DUCT ASSEMBLY	2	Series A0		
003	410233	RING, RETAINING	4	Series A0		
004	Y303836	BLOWER WHEEL ASSEMBLY	2	Series A0		
005	312967	CLAMP, BLOWER WHEEL	2	Series A0		
006	Y312961	SCREW, HOUSING COVER	12	Series A0		
007	Y313561	SCREW, HOUSING COVER	6	Series A0		
008	306966	THERMOSTAT, CYCLING (155 DEG.)	2	Series A0		
008	Y303225	THERMOSTAT, PERMANENT PRESS	2	Series A0		
008	33001306	WIRE HARNESS, THERMOSTATS	2	Series A0		
008	303392	THERMOSTAT, CYCLING (140 DEG.)	2	Series A0		
009	211294	SCREW, THERMOSTATS	8	Series A0		
010	306604	THERMAL CUT-OFF	2	Series A0		
011	NLA	SCREW, THERMAL CUT-OFF	4	Series A0		
012	Y312901	SEAL, HOUSING COVER	2	Series A0		
13	314847	COVER, BLOWER HOUSING	2	Series A0		
14	314818	SCREW, BLOWER HOUSING	8	Series A0		
15	Y303358	MOTOR	2	Series A0		
16	Y015825	CLIP, MOTOR	4	Series A0		
17	910343	SCREW, GROUND WIRE	2	Series A0		
18	306207	(PROD. No. 303358-8 & 303358-9)				
018	Y303877	SWITCH, MOTOR EXTERNAL START (PROD. No. 303358-2, 303358-4)	2	Series A0		
18	Y303879	SWITCH, MOTOR EXTERNAL START (PROD. No. 303358 & 303358-6)	2	Series A0		
018	NLA	SWITCH, MOTOR EXTERNAL START	2	Series A0		
19	Y312959	BELT, TUMBLER & MOTOR	2	Series A0		
20	Y305185	PULLEY, MOTOR (W/SET SCREW)	2	Series A0		
21	Y053241	SCREW, SET	2	Series A0		
22	Y303945	IDLER SPRING ASSEMBLY	2	Series A0		
23	Y303363	IDLER ARM & SHAFT ASSEMBLY	2	Series A0		
24	Y313582	SPACER, IDLER BRACKET	2	Series A0		
25	Y312527	WASHER, IDLER SHAFT (QTY-1)	4	Series A0		
26	Y303705	PULLEY, IDLER (W/BEARING)	2	Series A0		
027	312958	RING, RETAINING	2	Series A0		
28	Y312894	SLEEVE, IDLER ARM ----S	2	Series A0		
29	Y014874	SCREW, IDLER ARM	2	Series A0		
030	901220	GROUND WIRE	2	Series A0		
031	NLA	SUPPORT, MOTOR	2	Series A0		
32	Y310632	SCREW, EXHAUST DUCT	2	Series A0		

Ref #	Part #	Description	Qty	Context	Note	MSRP
33	Y307482	(UPR)	1		Series A0	
33	306530	BASE ASSEMBLY (LWR)	1		Series A0	
34	211294	SCREW, GROUND WIRE	2		Series A0	
35	210684	FOOT, RUBBER	8		Series A0	
036	Y302699	LEG, ADJUSTABLE (W/NUT)	8		Series A0	
037	210385	NUT, ADJUSTABLE LEG	8		Series A0	
038	Y310376	CLIP, CABLE	2		Series A0	
39	315471	RETAINER, WIRE HARNESS	6		Series A0	
40	410490	SPRING, WIRE HARNESS	4		Series A0	
041	Y312961	SCREW, SPACER	2		Series A0	
042	W10124350	NOT REQUIRED PART OR SEE NOTE	-		Series A0	
042	W10124350	NOT REQUIRED PART OR SEE NOTE	-		Series A0	

BDSPARTS.COM