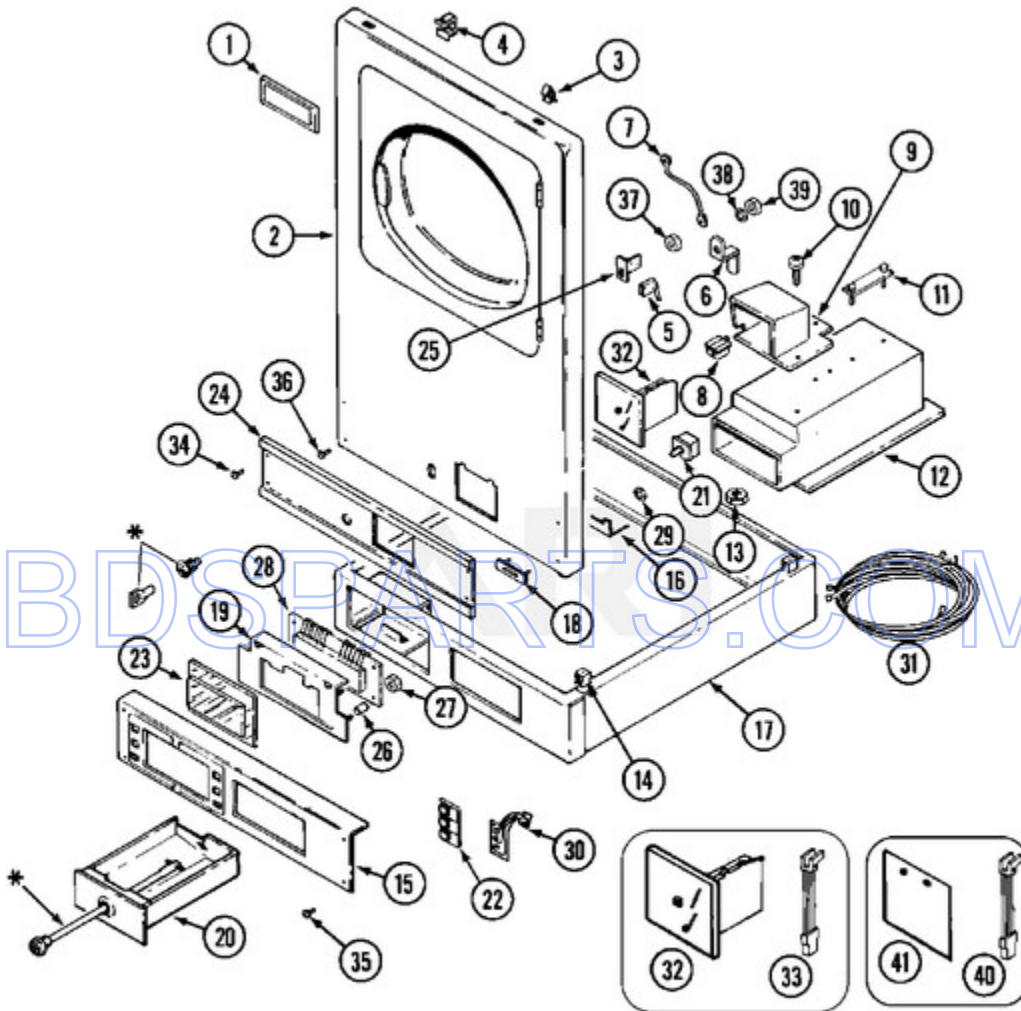


MDG11PDAAW - 01 - CONTROLS & UPPER PANEL

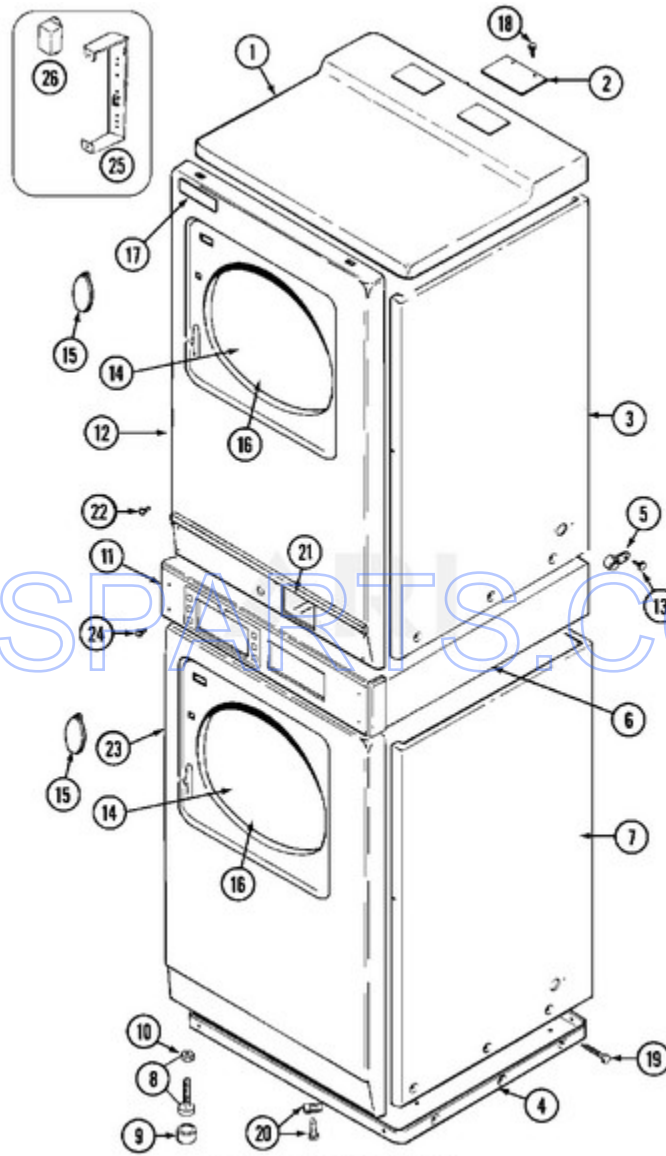


**\*Contact Your Commercial Distributor for Locks & Keys**

Ref #	Part #	Description	Qty	Context	Note	MSRP
001	NLA	NAME PLATE	1	Series A0		
002	33001447	(UPR-WHT)	1	Series A1		
002	NLA	PANEL, FRONT (UPR-WHT)	1	Series A0		
003	212982	FASTENER, PANEL	2	Series A0		
004	Y310376	CLIP, FASTENER	2	Series A0		
005	912012	SCREW, SWITCH	2	Series A0		
005	Y306232	SWITCH, ACCESS	1	Series A0		
006	314625	CAM, LOCKING	1	Series A0		
007	Y306712	GROUND WIRE, LOCK	1	Series A0		
007	211294	SCREW, GROUND WIRE	1	Series A0		
008	314635	CHUTE, COIN	1	Series A0		
009	NLA	COVER, COIN DROP	1	Series A0		
010	314654	BOLT, COIN DROP COVER	2	Series A0		
011	NLA	LOCKWASHER, MOUNTING STRAP	2	Series A0		
011	NLA	STRAP, MOUNTING	1	Series A0		
012	910387	LOCKWASHER, VAULT ASSEMBLY	1	Series A0		
12	NLA	VAULT ASSEMBLY (WHT)	1	Series A0		
013	Y052740	NUT, MOUNTING STRAP	4	Series A0		
13	NLA	LOCKWASHER, COVER BOLT	2	Series A0		
14	310933	CLIP, SUPPORT ASSEMBLY	4	Series A0		
015	33001023	EXTRUSION, CONTROL (LWR)	1	Series A0		
016	Y310632	SCREW, BRACKET	1	Series A0		
16	314631	BRACKET, COIN DROP	1	Series A0		
016	Y313561	SCREW, BRACKET	1	Series A0		
017	NLA	SUPPORT ASSEMBLY (WHT)	1	Series A0		
18	306233	STRAP, COIN ACCEPTOR	1	Series A0		
19	910186	SCREW, PLATE	3	Series A0		
019	33001201	PLATE, CONTROL MOUNTING	1	Series A0		
20	308143L	(ALM)	-	Series A0		
20	308143	TRAY, COIN (WHT)	1	Series A0		
21	33001250	SWITCH, VAULT & SERVICE DOOR	1	Series A0		
22	33001156	BUTTON, PUSH	2	Series A0		
23	33001209	COVER, DISPLAY	1	Series A0		
024	NLA	EXTRUSION, CONTROL (UPR)	1	Series A0		
025	211168	SCREW, BRACKET	2	Series A0		
25	314634	BRACKET, ACCESS SWITCH	1	Series A0		
026	33001204	STAND-OFF, CONTROL BOARD	4	Series A0		
027	912077	NUT, CONTROL BOARD	4	Series A0		
028	33001249	BATTERY, CONTROL BOARD	1	Series A0		

Ref #	Part #	Description	Qty	Context	Note	MSRP
028	33001290	BOARD, CONTROL	1		Series A0	
029	Y052659	NUT, COIN DROP	2		Series A0	
30	33001200	SWITCH, MEMBRANE	2		Series A0	
31	33001033	(LWR)	-		Series A0	
031	33001196	WIRE HARNESS, MAIN (UPR)	1		Series A0	
031	33001407	(LWR)	1		Series A1	
031	314522	GROMMET, STRAIN RELIEF	1		Series A0	
031	33001404	WIRE HARNESS, MAIN (UPR)	-		Series A1	
031	33001032	WIRE HARNESS, MAIN (LWR)	1		Series A0	
031	33001197	(UPR)	-		Series A0	
031	33001405	(LWR)	-		Series A1	
031	NLA	WIRE HARNESS, MAIN (UPR)	1		Series A1	
31	910768	STRAP, HARNESS	1		Series A0	
32	308121	REJECTOR ASSEMBLY (25 CENTS)	1		Series A0	
032	Y308123	(CAN-25 CENTS)	-		Series A0	
33	315427	SCREW, SWITCH ASSEMBLY	1		Series A0	
033	33001025	OPTIC SWITCH ASSEMBLY	1		Series A0	
34	215506	SCREW, EXTRUSION	2		Series A0	
34	315489	SCREW, FRONT PANEL	3		Series A0	
35	215506	SCREW, EXTRUSION (LWR)	4		Series A0	
36	314666	SCREW, PANEL (UPR)	2		Series A0	
36	NLA	CLIP, CABINET SCREW	2		Series A0	
37	212328	NUT, LOCK	1		Series A0	
38	22001354	WASHER, LOCK	1		Series A0	
39	22001355	NUT, LOCK	1		Series A0	
40	33001025	OPTIC SWITCH ASSEMBLY (PART NOT USED)	-		Series A0	
41	33001157	PLATE, COIN DROP COVER (PART NOT USED)	-		Series A0	

MDG11PDAAW - 02 - FRONT



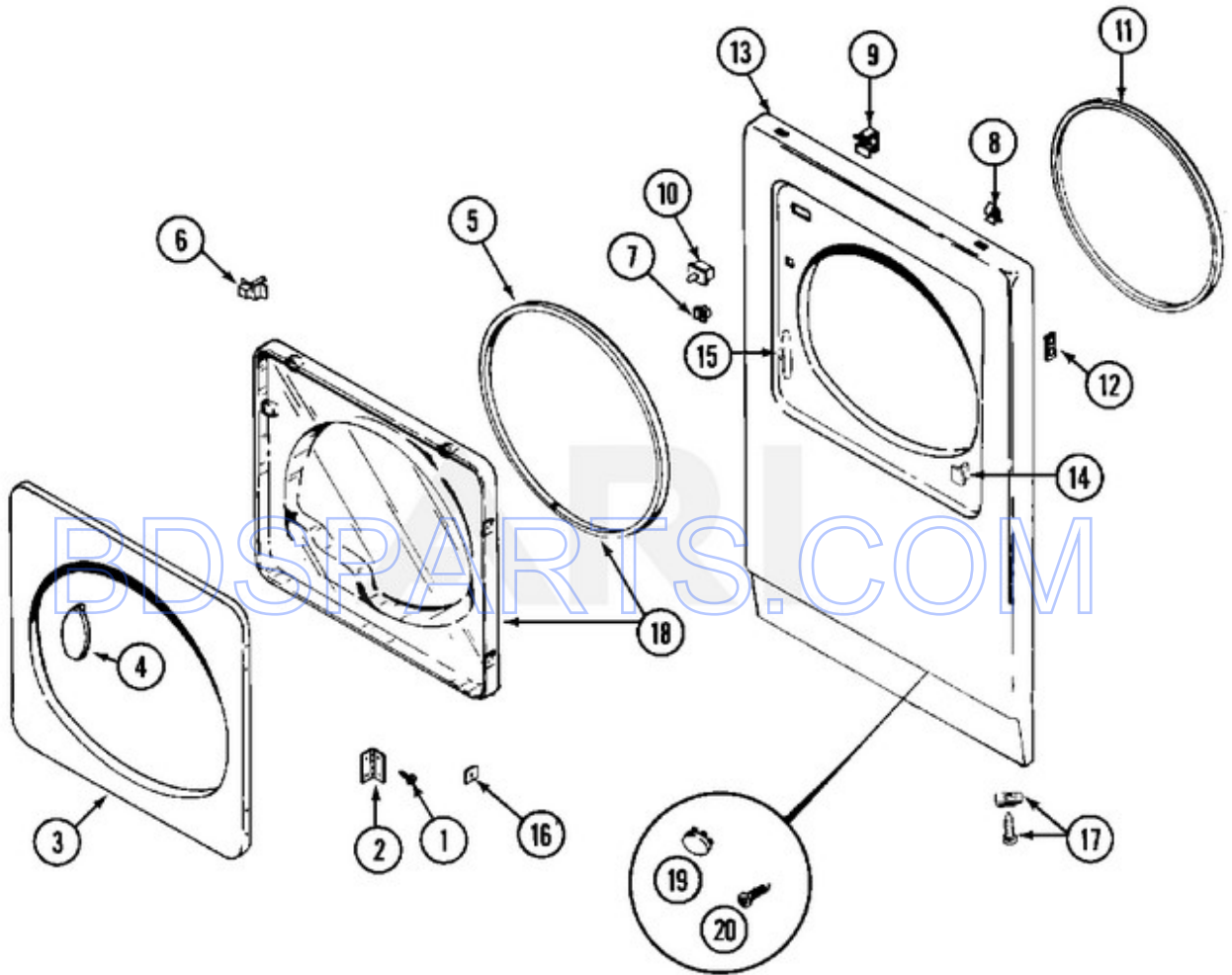
BDS PARTS.COM

Ref #	Part #	Description	Qty	Context	Note	MSRP
001	33001165	TOP COVER ASSEMBLY (WHT)	1	Series A0		
001	NLA	(ALM)	-	Series A0		
002	NLA	PLATE, COVER	2	Series A0		
003	NLA	CABINET (UPR-WHT)	1	Series A0		
004	306261	BASE ASSEMBLY (UPR)	1	Series A0		
004	306530	(LWR)	1	Series A0		
005	910768	STOP, CABLE	2	Series A0		
006	314663	SCREW, SUPPORT	2	Series A0		
006	310933	CLIP, SPACER ASSEMBLY	4	Series A0		
006	NLA	SUPPORT ASSEMBLY (WHT)	1	Series A0		
006	911050	SCREW, SUPPORT	1	Series A0		
006	Y310632	SCREW, SUPPORT	5	Series A0		
007	NLA	CABINET (LWR-WHT)	1	Series A0		
008	Y302699	LEG, ADJUSTABLE (W/NUT)---S	4	Series A0		
009	210684	FOOT, RUBBER	4	Series A0		
010	210385	NUT, ADJUSTABLE LEG	4	Series A0		
011	33001023	EXTRUSION, CONTROL (LWR)	1	Series A0		
012	NLA	CLIP, CABINET SCREW	2	Series A0		
12	33001447	(UPR-WHT)	1	Series A1		
12	314666	SCREW, PANEL (UPR)	2	Series A0		
12	NLA	PANEL, FRONT (UPR-WHT)	1	Series A0		
13	211168	SCREW, CABLE STOP	2	Series A0		
014	33001203	PANEL, CLEAR INNER (W/SEAL)	2	Series A0		
15	314974	(ALM)	2	Series A0		
15	314939	HANDLE, DOOR (WHT)	2	Series A0		
16	314967	PANEL, OUTER DOOR (WHT)	2	Series A0		
16	NLA	(ALM)	2	Series A0		
17	NLA	NAME PLATE	1	Series A0		
018	Y313559	SCREW, COVER PLATE	2	Series A0		
19	213007	SCREW, CABINET SIDES	12	Series A0		
20	204439	SCREW & FASTENER ASSEMBLY	2	Series A0		
21	NLA	EXTRUSION, CONTROL (UPR)	1	Series A0		
022	315489	SCREW, EXTRUSION	3	Series A0		
022	215506	SCREW, EXTRUSION & FRONT	2	Series A0		
023	33001132	PLUG, SIGHT HOLE (WHT)	1	Series A0		
023	NLA	PANEL, FRONT (LWR-WHT)	1	Series A0		
023	33001168	(ALM)	1	Series A0		
24	215506	SCREW, EXTRUSION SUPPORT -	4	Series A0		
25	314627	BRACKET, RELAY	1	Series A0		

Ref #	Part #	Description	Qty	Context	Note	MSRP
25	Y310632	SCREW, BRACKET	2		Series A0	
26	206421	RELAY, MOTOR	-		Series A0	
26	Y251119	SCREW, RELAY	2		Series A0	
26	206824	RELAY, MOTOR	2		Series A0	

BDSPARTS.COM

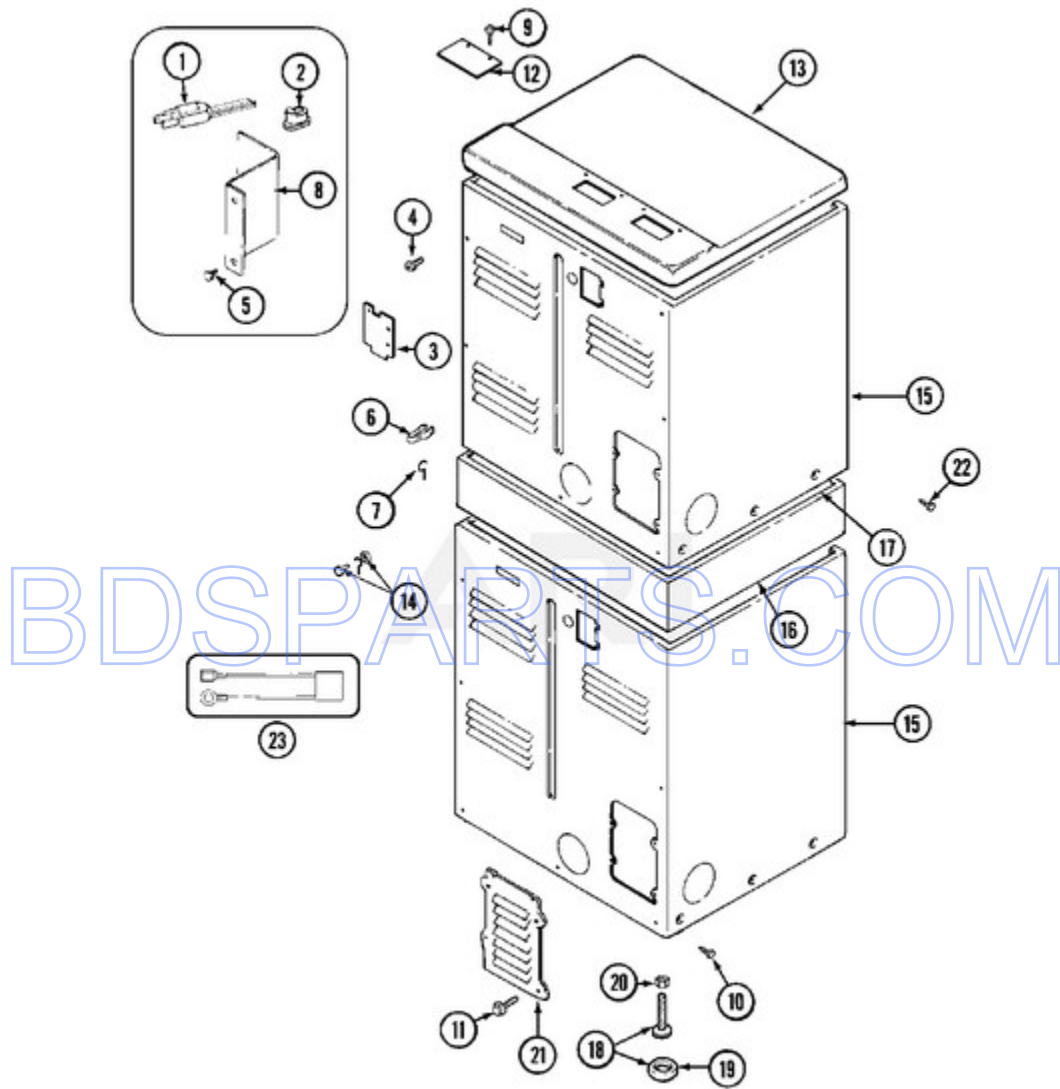
MDG11PDAAW - 03 - DOOR



Ref #	Part #	Description	Qty	Context Note	MSRP
001	Y314062	SCREW	28	Series A0	
002	33001230	HINGE, DOOR	4	Series A0	
003	314967	PANEL, OUTER DOOR (WHT)	2	Series A0	
003	NLA	(ALM)	-	Series A0	
004	314939	HANDLE, DOOR (WHT)	2	Series A0	
004	314974	(ALM)	-	Series A0	
005	33001192	SEAL, DOOR	2	Series A0	
006	33001305	STRIKE, DOOR (W/BRACKET)	2	Series A0	
007	Y304578	CATCH, DOOR	3	Series A0	
008	212982	FASTENER, SPRING	4	Series A0	
009	Y310376	CLIP, CABLE	6	Series A0	
010	33001420	SWITCH, DOOR	2	Series A1	
010	Y305753	SWITCH, DOOR	2	Series A0	
011	314937	SEAL, FRONT PANEL	2	Series A0	
012	NLA	CLIP, HINGE SCREW	4	Series A0	
12	NLA	SCREW, PLASTIC	4	Series A0	
013	33001447	(UPR-WHT)	1	Series A1	
13	NLA	PANEL, FRONT (LWR-WHT)	1	Series A0	
14	NLA	PLUG, DOOR CATCH	1	Series A0	
015	33001176	(ALM)	2	Series A0	
015	33001175	COVER, HINGE HOLE (WHT)	2	Series A0	
16	Y313910	CLIP, INNER DOOR SCREW	18	Series A0	
017	314666	SCREW, PANEL (UPR)	2	Series A0	
17	204439	SCREW & FASTNER ASSEMBLY	1	Series A0	
017	NLA	CLIP, CABINET SCREW	2	Series A0	
18	33001203	PANEL, CLEAR INNER (W/SEAL)	2	Series A0	
19	33001168	(ALM)	1	Series A0	
019	33001132	PLUG, SIGHT HOLE (WHT)	1	Series A0	
020	315489	SCREW, SIGHT HOLE	1	Series A0	

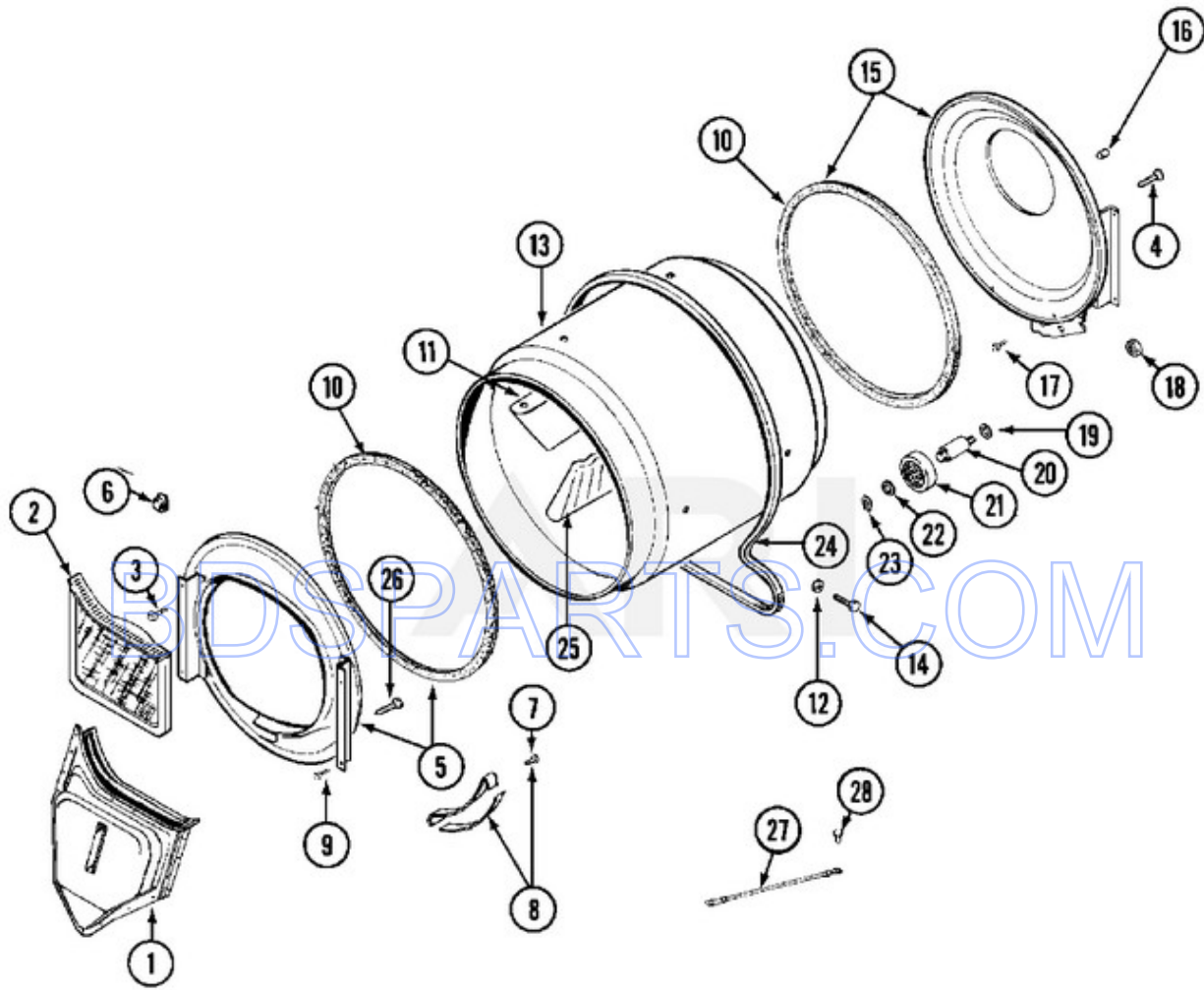


MDG11PDAAW - 04 - REAR



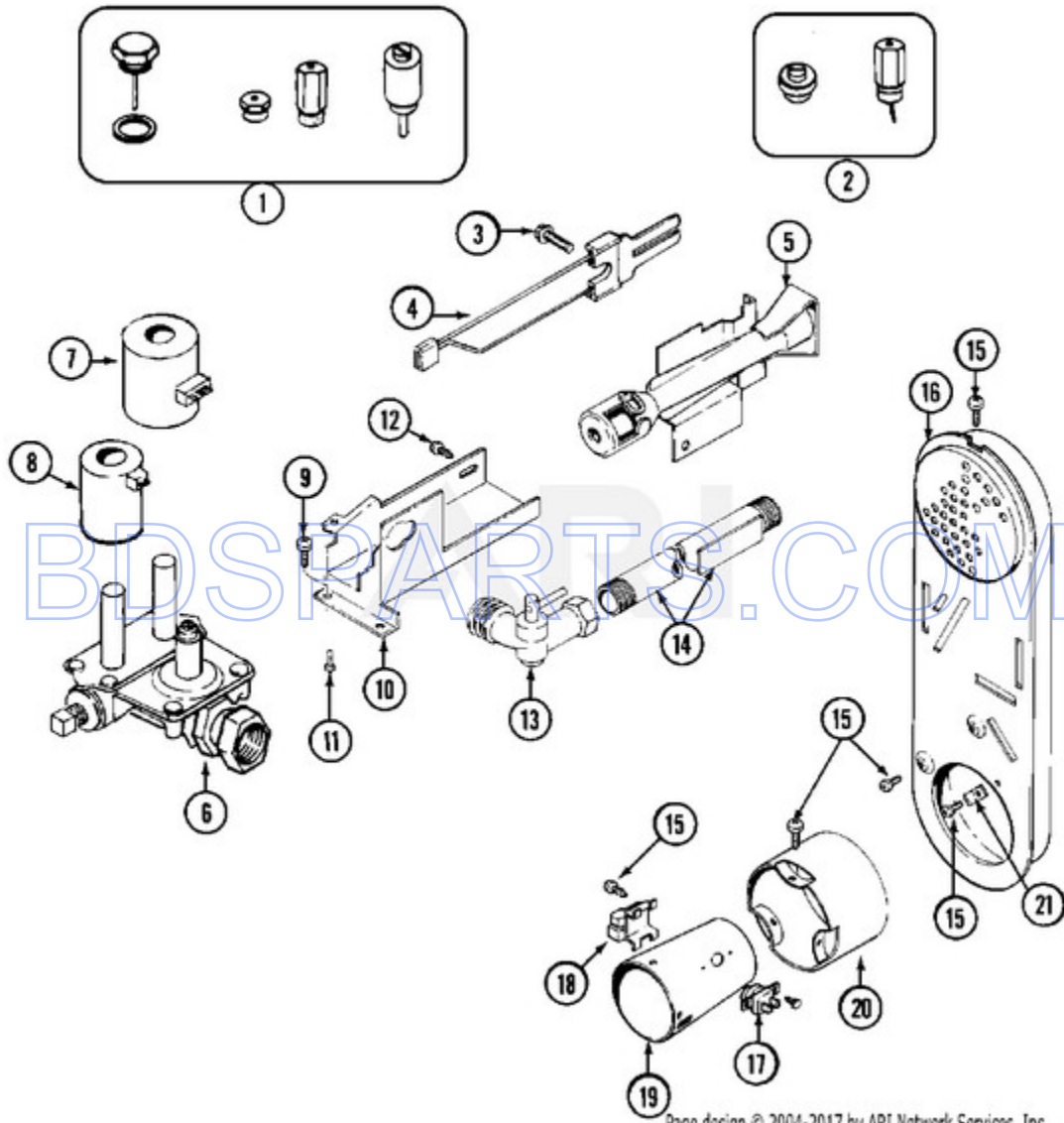
Ref #	Part #	Description	Qty	Context	Note	MSRP
001	311484	NUT, TERMINAL CONNECTION	-	Series	A0	
001	33001246	CORD, POWER	2	Series	A0	
001	Y311270	WASHER, TERMINAL CONNECTION	-	Series	A0	
002	211881	GROMMET, POWER CORD	2	Series	A0	
003	Y312905	COVER, TERMINAL	2	Series	A0	
004	Y313561	SCREW, TERMINAL COVER	8	Series	A0	
005	Y312209	SCREW, TERMINAL BRACKET	2	Series	A0	
006	301548	CLAMP, GROUND (W/SCREW)	1	Series	A0	
006	313122	SCREW, CLAMP	1	Series	A0	
007	311155	WIRE, GROUND	1	Series	A0	
008	Y312904	BRACKET, TERMINAL	1	Series	A0	
009	Y313559	SCREW, TOP COVER PLATE	2	Series	A0	
010	213007	SCREW, CABINET SIDE	12	Series	A0	
011	211294	SCREW, ACCESS COVER	2	Series	A0	
011	Y313559	SCREW, ACCESS COVER	2	Series	A0	
12	NLA	PLATE, TOP COVER	2	Series	A0	
13	33001165	TOP COVER ASSEMBLY (WHT)	1	Series	A0	
13	NLA	(ALM)	-	Series	A0	
14	NLA	SCREW & WASHER ASSEMBLY	1	Series	A0	
15	Y310632	SCREW, CABINET	4	Series	A0	
15	NLA	CABINET (LWR-WHT)	1	Series	A0	
16	NLA	SUPPORT ASSEMBLY (WHT)	1	Series	A0	
17	310933	FASTENER, SPACER ASSEMBLY	2	Series	A0	
018	Y302699	LEG, ADJUSTABLE (W/NUT)---S	4	Series	A0	
19	210684	FOOT, RUBBER	4	Series	A0	
20	210385	NUT, ADJUSTABLE LEG	4	Series	A0	
21	Y312951	COVER, ACCESS	2	Series	A0	
22	Y310632	SCREW, SUPPORT	5	Series	A0	
22	NLA	SCREW, SUPPORT	1	Series	A0	
23	NLA	WIRE HARNESS, TORROID----NA	2	Series	17	
023	NLA	SURGE SUPPRESSOR KIT	2	Series	17	

MDG11PDAAW - 05 - TUMBLER



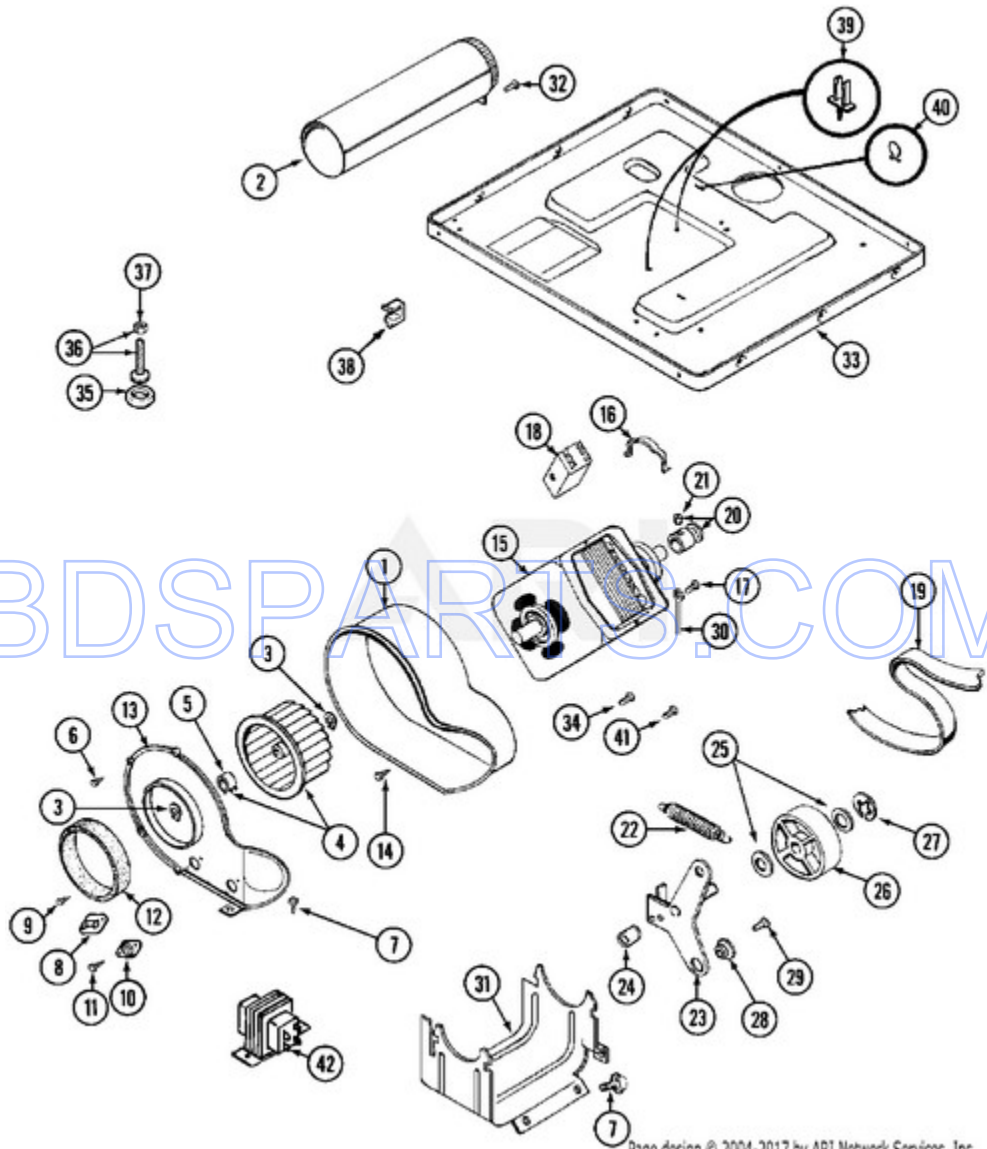
Ref #	Part #	Description	Qty	Context Note	MSRP
001	33001016	OUTLET DUCT ASSEMBLY	2	Series A0	
002	33001170	FILTER, LINT	2	Series A0	
003	NLA	SCREW, TUMBLER SUPPORT	8	Series A0	
004	Y313561	SCREW, TUMBLER FRONT & BACK	4	Series A0	
005	33001179	FRONT, TUMBLER (W/SEAL)	2	Series A0	
006	Y310376	CLIP, CABLE	2	Series A0	
007	210720	RIVET	8	Series A0	
008	306508	TUMBLER BEARING KIT ----W	4	Series A0	
009	Y310632	SCREW, TUMBLER FRONT	6	Series A0	
010	314820	SEAL, TUMBLER	4	Series A0	
011	33001012	BAFFLE (SHORT)	2	Series A0	
012	314158	WASHER, BAFFLE SCREW	12	Series A0	
013	33001108	DRYER TUMBLER, W/O BAFFLES	2	Series A0	
014	Y310759	SCREW, TUMBLER BAFFLE	12	Series A0	
015	33001178	BACK, TUMBLER (W/SEAL)	2	Series A0	
016	NLA	COVER, THREAD	8	Series A0	
17	Y310632	SCREW, TUMBLER BACK	6	Series A0	
18	312538	NUT, ROLLER SHAFT	4	Series A0	
19	Y313347	WASHER, SPRING (ROLLER SFT)	4	Series A0	
20	Y312948	SHAFT, TUMBLER ROLLER----C	4	Series A0	
21	Y303373	ROLLER (W/BEARING)	4	Series A0	
22	312535	WASHER, ROLLER SHAFT	4	Series A0	
23	410233	RING, RETAINING	4	Series A0	
024	Y312959	BELT, DRUM	2	Series A0	
025	33001004	BAFFLE, TALL	4	Series A0	
026	Y314110	SCREW, OUTLET DUCT	8	Series A0	
27	901220	GROUND WIRE	2	Series A0	
28	910343	SCREW, GROUND WIRE	2	Series A0	

MDG11PDAAW - 06 - GAS VALVE



Ref #	Part #	Description	Qty	Context	Note	MSRP
001	Y308378	CONVERSION KIT (NAT TO LP)	1	Series	A0	
002	Y308377	CONVERSION KIT (LP TO NAT.)	1	Series	A0	
003	304971	SCREW, IGNITER	2	Series	A0	
004	304970	IGNITER ASSEMBLY	2	Series	A0	
005	33001247	BURNER ASSEMBLY	2	Series	A0	
006	308345	VALVE, GAS	2	Series	A0	
007	306106	COIL, HOLDING & BOOSTER--W	2	Series	A0	
008	306105	COIL, SECONDARY--W	2	Series	A0	
009	Y313561	SCREW, GAS VALVE	2	Series	A0	
010	314566	BRACKET, GAS VALVE	2	Series	A0	
011	Y313559	SCREW, GAS VALVE ASSEMBLY	2	Series	A0	
012	314568	SCREW, GAS VALVE	2	Series	A0	
012	314082	SCREW, GAS VALVE	2	Series	A0	
13	Y303349	SHUT-OFF, GAS VALVE	2	Series	A0	
14	Y303383	PIPE & BRACKET ASSEMBLY	2	Series	A0	
015	211294	SCREW, DUCT, CONE & SENSOR	28	Series	A0	
16	Y308504	INLET DUCT ASSEMBLY	2	Series	A0	
17	305169	THERMOSTAT, HI-LIMIT GAS	2	Series	A0	
18	Y303377	SENSOR, RADIANT	2	Series	A0	
19	Y308548	COMBUSTION CONE ASSEMBLY	2	Series	A0	
20	Y303841	EXTENSION, CONE (W/SCREWS)	2	Series	A0	
21	Y312890	RETAINER, HEATER CHAMBER	2	Series	A0	

MDG11PDAAW - 07 - MOTOR DRIVE





Ref #	Part #	Description	Qty	Context	Note	MSRP
001	Y312893	HOUSING, BLOWER	2	Series A0		
002	Y303442	EXHAUST DUCT ASSEMBLY	2	Series A0		
003	410233	RING, RETAINING	4	Series A0		
004	Y303836	BLOWER WHEEL ASSEMBLY	2	Series A0		
005	312967	CLAMP, BLOWER WHEEL	2	Series A0		
006	Y312961	SCREW, HOUSING COVER	12	Series A0		
007	Y313561	SCREW, HOUSING COVER	6	Series A0		
008	306966	THERMOSTAT, CYCLING (155 DEG.)	2	Series A0		
008	Y303225	THERMOSTAT, PERMANENT PRESS	2	Series A0		
008	33001306	WIRE HARNESS, THERMOSTATS	2	Series A0		
008	303392	THERMOSTAT, CYCLING (140 DEG.)	2	Series A0		
009	211294	SCREW, THERMOSTATS	8	Series A0		
010	306604	THERMAL CUT-OFF	2	Series A0		
011	NLA	SCREW, THERMAL CUT-OFF	4	Series A0		
012	Y312901	SEAL, HOUSING COVER	2	Series A0		
13	314847	COVER, BLOWER HOUSING	2	Series A0		
14	314818	SCREW, BLOWER HOUSING	8	Series A0		
15	Y303358	MOTOR	2	Series A0		
16	Y015825	CLIP, MOTOR	4	Series A0		
17	910343	SCREW, GROUND WIRE	2	Series A0		
18	306207	(PROD. No. 303358-8 & 303358-9)				
018	Y303877	SWITCH, MOTOR EXTERNAL START (PROD. No. 303358-2, 303358-4)	2	Series A0		
18	Y303879	SWITCH, MOTOR EXTERNAL START (PROD. No. 303358 & 303358-6)	2	Series A0		
018	NLA	SWITCH, MOTOR EXTERNAL START	2	Series A0		
19	Y312959	BELT, TUMBLER & MOTOR	2	Series A0		
20	Y305185	PULLEY, MOTOR (W/SET SCREW)	2	Series A0		
21	Y053241	SCREW, SET	2	Series A0		
22	Y303945	IDLER SPRING ASSEMBLY	2	Series A0		
23	Y303363	IDLER ARM & SHAFT ASSEMBLY	2	Series A0		
24	Y313582	SPACER, IDLER BRACKET	2	Series A0		
25	Y312527	WASHER, IDLER SHAFT (QTY-1)	4	Series A0		
26	Y303705	PULLEY, IDLER (W/BEARING)	2	Series A0		
027	312958	RING, RETAINING	2	Series A0		
28	Y312894	SLEEVE, IDLER ARM ----S	2	Series A0		
29	Y014874	SCREW, IDLER ARM	2	Series A0		
030	901220	GROUND WIRE	2	Series A0		
031	NLA	SUPPORT, MOTOR	2	Series A0		
32	Y310632	SCREW, EXHAUST DUCT	2	Series A0		



Ref #	Part #	Description	Qty	Context	Note	MSRP
33	Y307482	(UPR)	1		Series A0	
33	306530	BASE ASSEMBLY (LWR)	1		Series A0	
34	211294	SCREW, GROUND WIRE	2		Series A0	
35	210684	FOOT, RUBBER	8		Series A0	
036	Y302699	LEG, ADJUSTABLE (W/NUT)	8		Series A0	
37	210385	NUT, ADJUSTABLE LEG	8		Series A0	
038	Y310376	CLIP, CABLE	2		Series A0	
39	315471	RETAINER, WIRE HARNESS	6		Series A0	
40	410490	SPRING, WIRE HARNESS	4		Series A0	
041	Y312961	SCREW, SPACER	2		Series A0	
42	W10124350	NOT REQUIRED PART OR SEE NOTE	-		Series A0	
042	W10124350	NOT REQUIRED PART OR SEE NOTE	-		Series A0	

BDSPARTS.COM