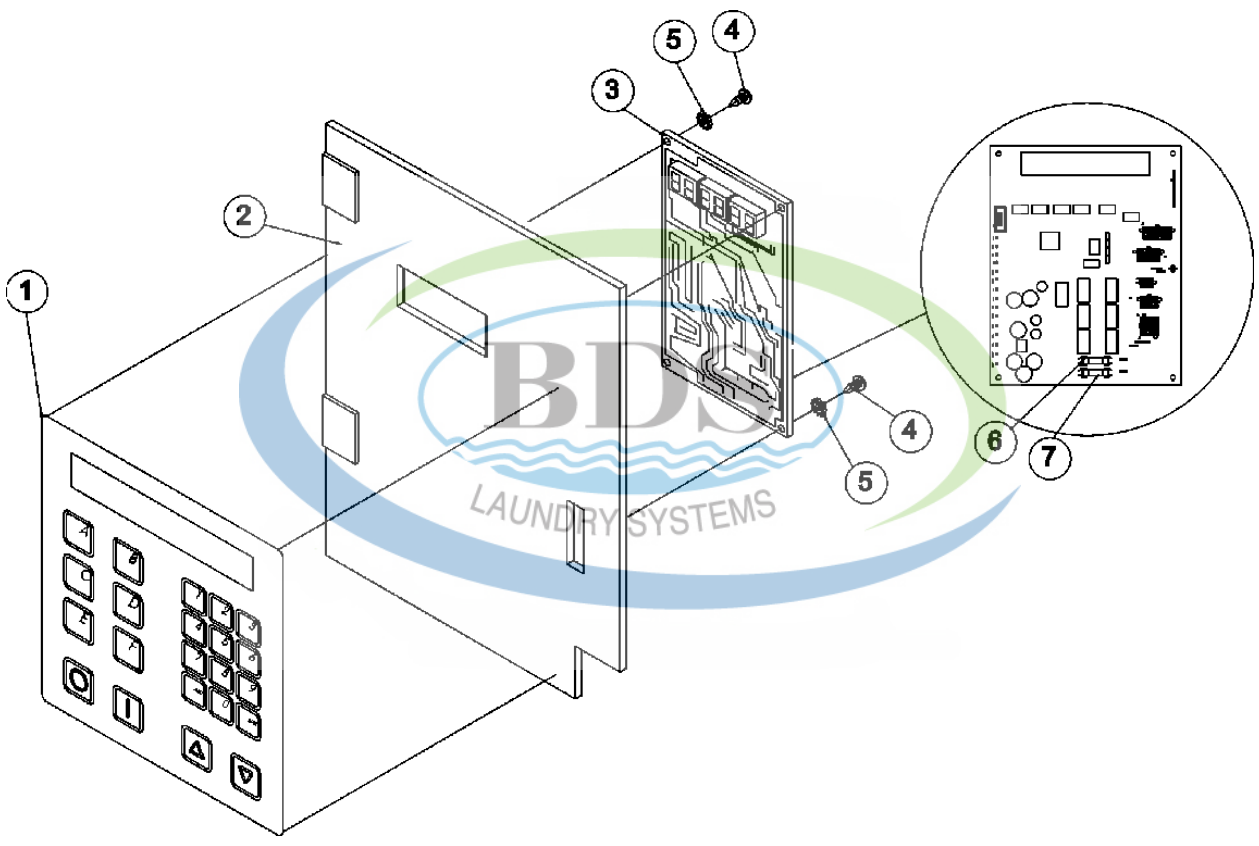


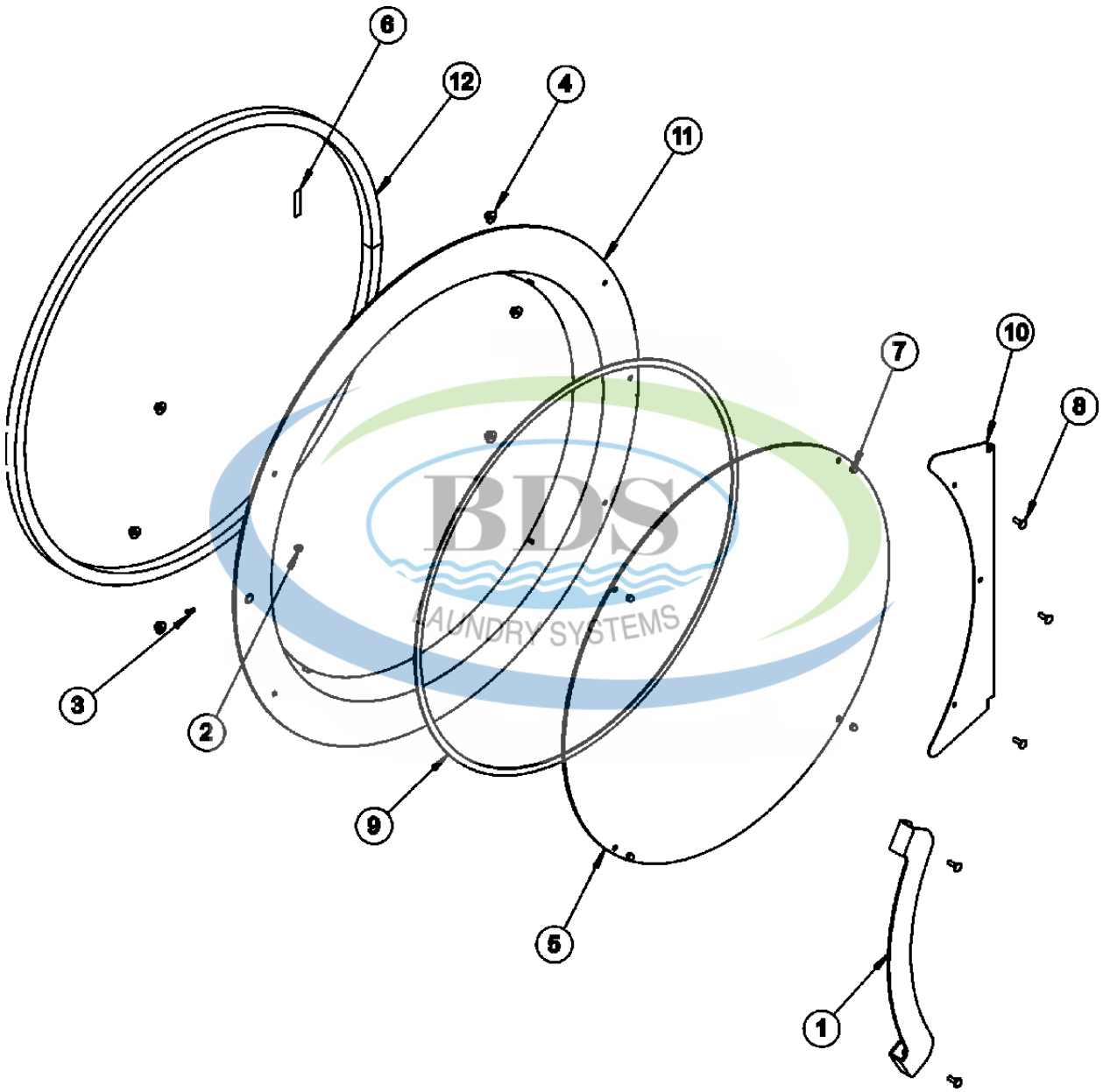
Ref #	Part Number	Qty.	Description
1	883316	1	CONTROL DOOR COMPLETE WHT
2	112353	1	LOGO
3	117604	1	TAPE, FOAM (SOLD IN FEET)
4	150314	1	TORX & BIN HD MACHINE SCREW
5	154011	1	MULTI-THREAD U-NUT





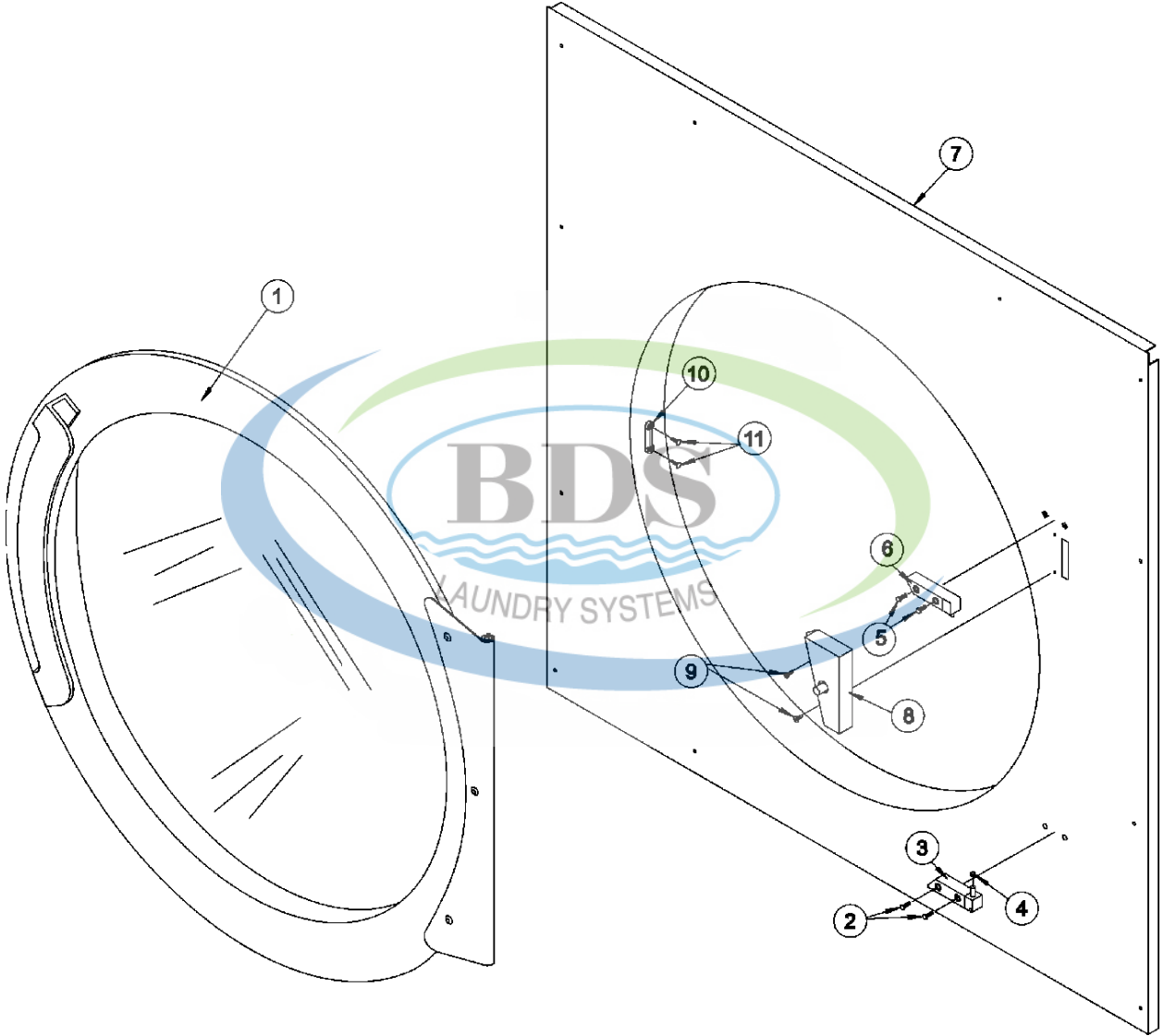
Ref #	Part Number	Qty.	Description
1	112571	1	KEYBOARD, PHASE 7 OPL
1	112577	1	KEYBOARD, PHASE 7 OPL
2	850979	1	CONTROL PANEL ONLY
3	137243	1	MICROPROCESSOR, PHASE 7 OPL
3	137247	1	MICROPROCESSOR, PHASE 7 OPL
3	883732	1	CONTROL CONTROL PANEL COMPLETE
4	150005	4	SCREW, PHILL (6-32 X 1/4``)RND
5	153010	4	WASHER, STAR (No.6)
6	136016	1	FUSE, 5 AMP
7	136097	1	FUSE, 500MA FUSE





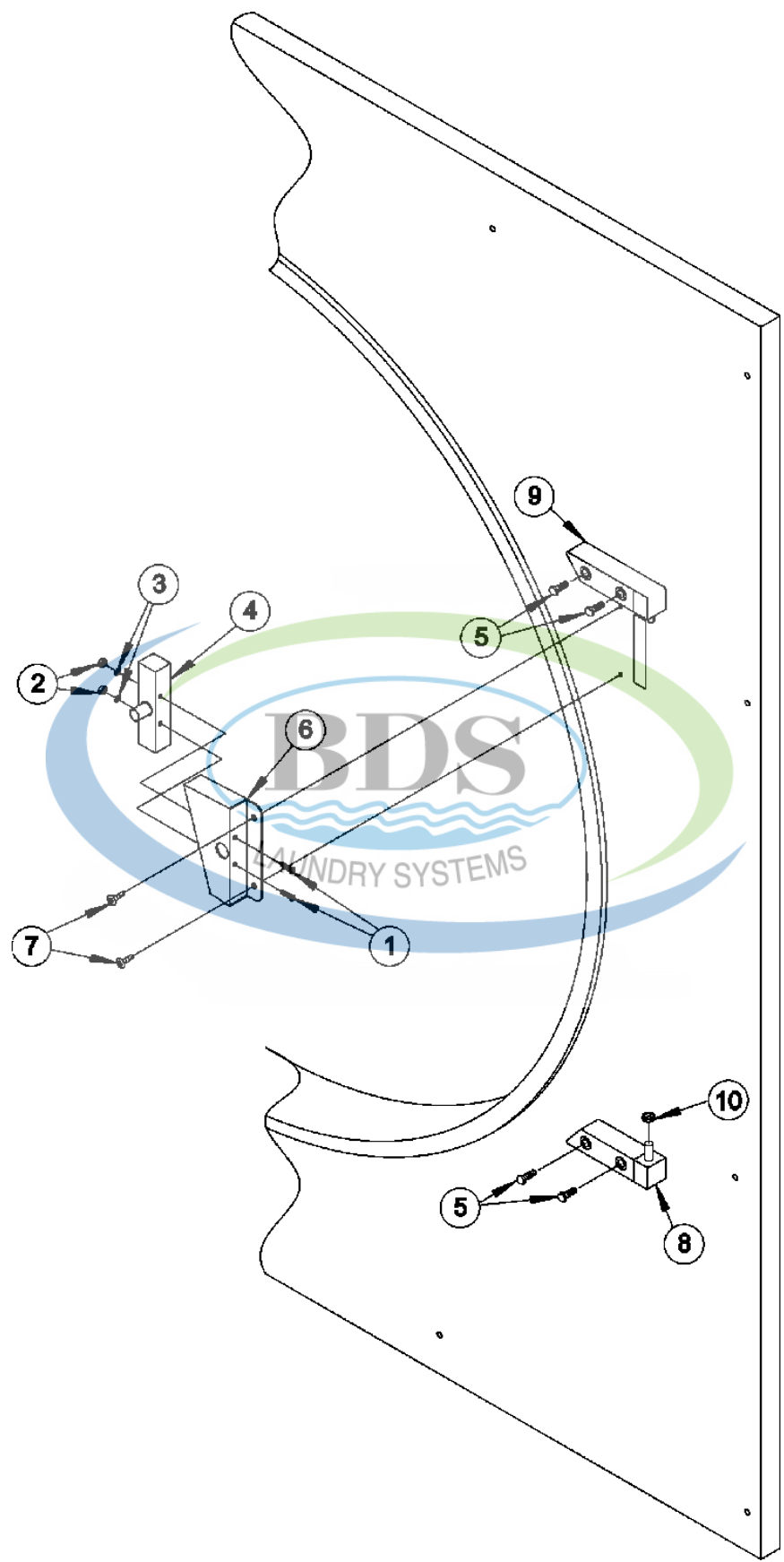
Ref #	Part Number	Qty.	Description
1	378096	1	DOOR HANDLE
1	883083	1	MAIN DOOR COMPLETE
2	151010	1	BLACK ACORN NUT
3	150120	1	LATCH SCREW
4	152014	6	NUT, FREE SPIN WASH (No.20-1/4)
5	102214	1	GLASS, DOOR 30"
6	102357	1	GASKET, DOOR
7	151013	4	NUT, BLK ACORN 10-32
8	150683	6	BOLT, CARRIAGE 1/4-20X5/8
9	102361	1	GASKET,TAPE 3/32X1/2
10	835056	1	HINGE, DOOR
11	835057	1	RING, DOOR ASSEMBLY
12	110006	1	TAPE, STRAPPING 1/2 X 2





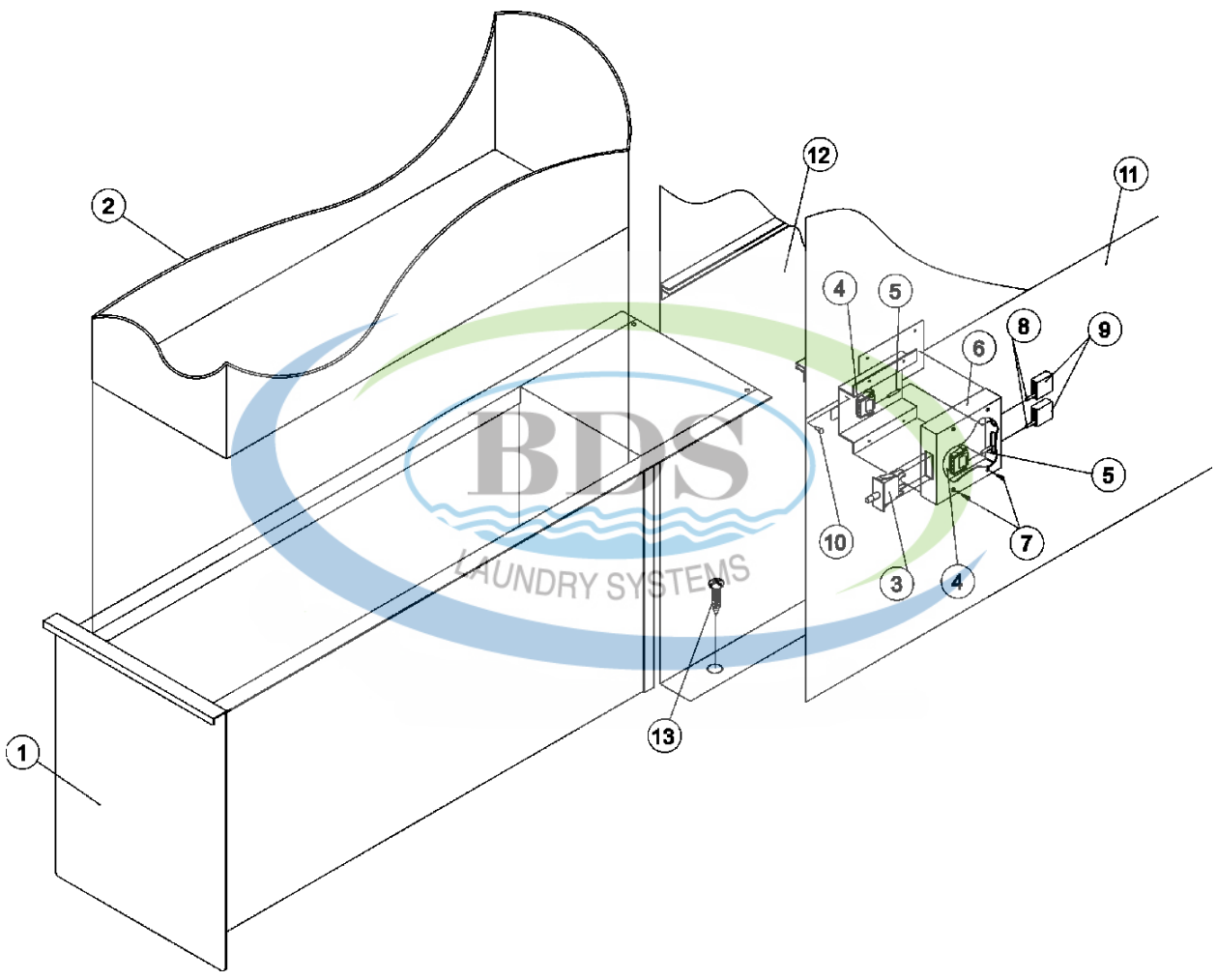
Ref #	Part Number	Qty.	Description
1	883083	1	MAIN DOOR COMPLETE
2	150445	2	CAP SCREW, BLACK
3	170331	1	HINGE, BOTTOM BLOCK
4	153031	1	WASHER, NYLON
5	150445	2	CAP SCREW, BLACK
6	170329	1	HINGE, TOP BLOCK
7	883727	1	FRONT, PANEL WHT
8	883726	1	SWITCH, HOUSING DOOR WHT
9	150301	2	SCREW, TEK (No.8-18 X 7/16 PH
10	170330	1	LATCH, DOOR (FRICTION)
11	153215	2	RIVET, AUDEL





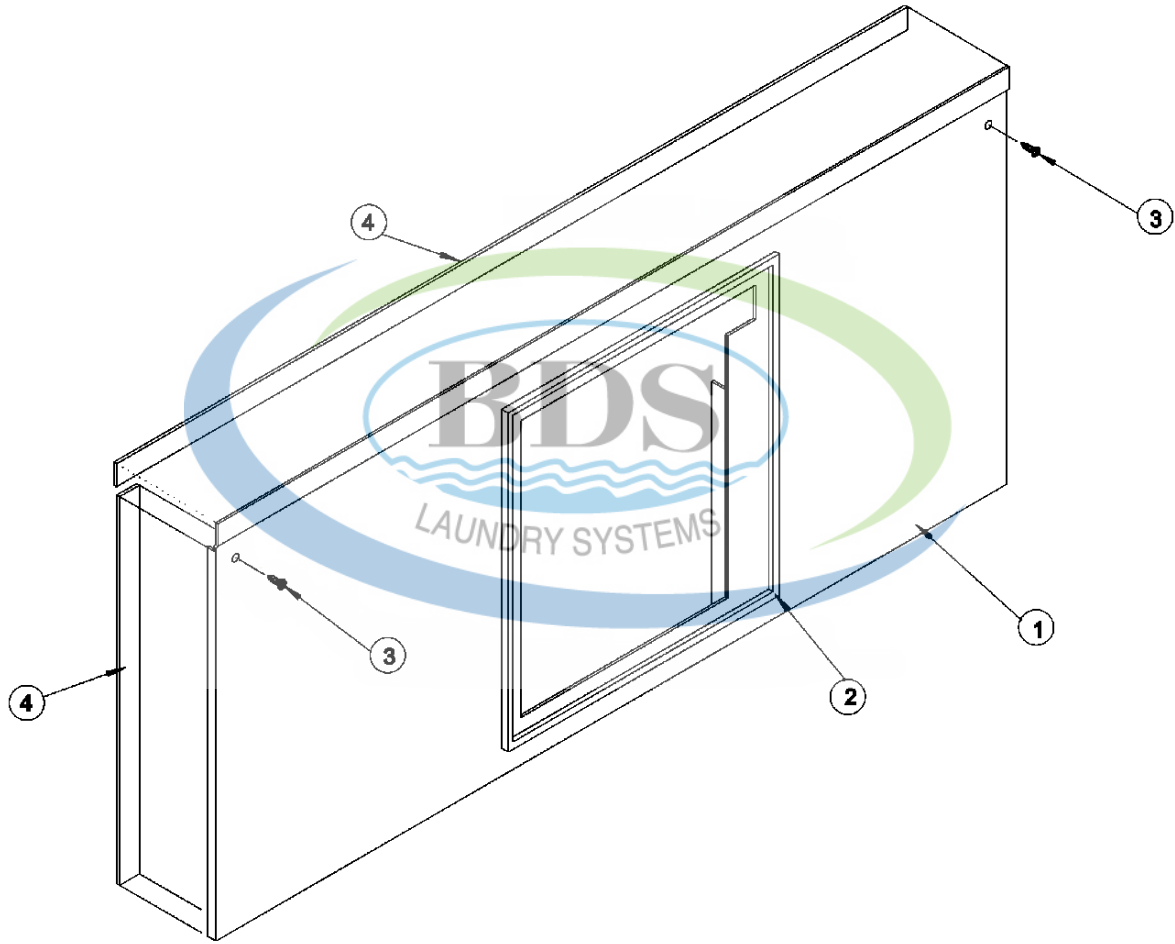
Ref #	Part Number	Qty.	Description
1	150006	2	6-32X7/8`` RND HD MACHINE SCREW
2	152013	2	NUT, HEX (No.6-32)
3	153010	2	WASHER, STAR (No.6)
4	137005	1	SWITCH, DOOR (SINGLE POLE)
5	150445	4	CAP SCREW, BLACK
6	881687	1	SWITCH, HOUSING ONLY
6	881702	1	DOOR SWITCH W/HOUSING ASSEMBLY
7	150443	2	CAP SCREW, SS 1/4-20 X 3/4
8	881441	1	HINGE, BLOCK WHT BOTTOM
9	881440	1	HINGE, BLOCK WHT TOP
10	153031	1	WASHER, NYLON





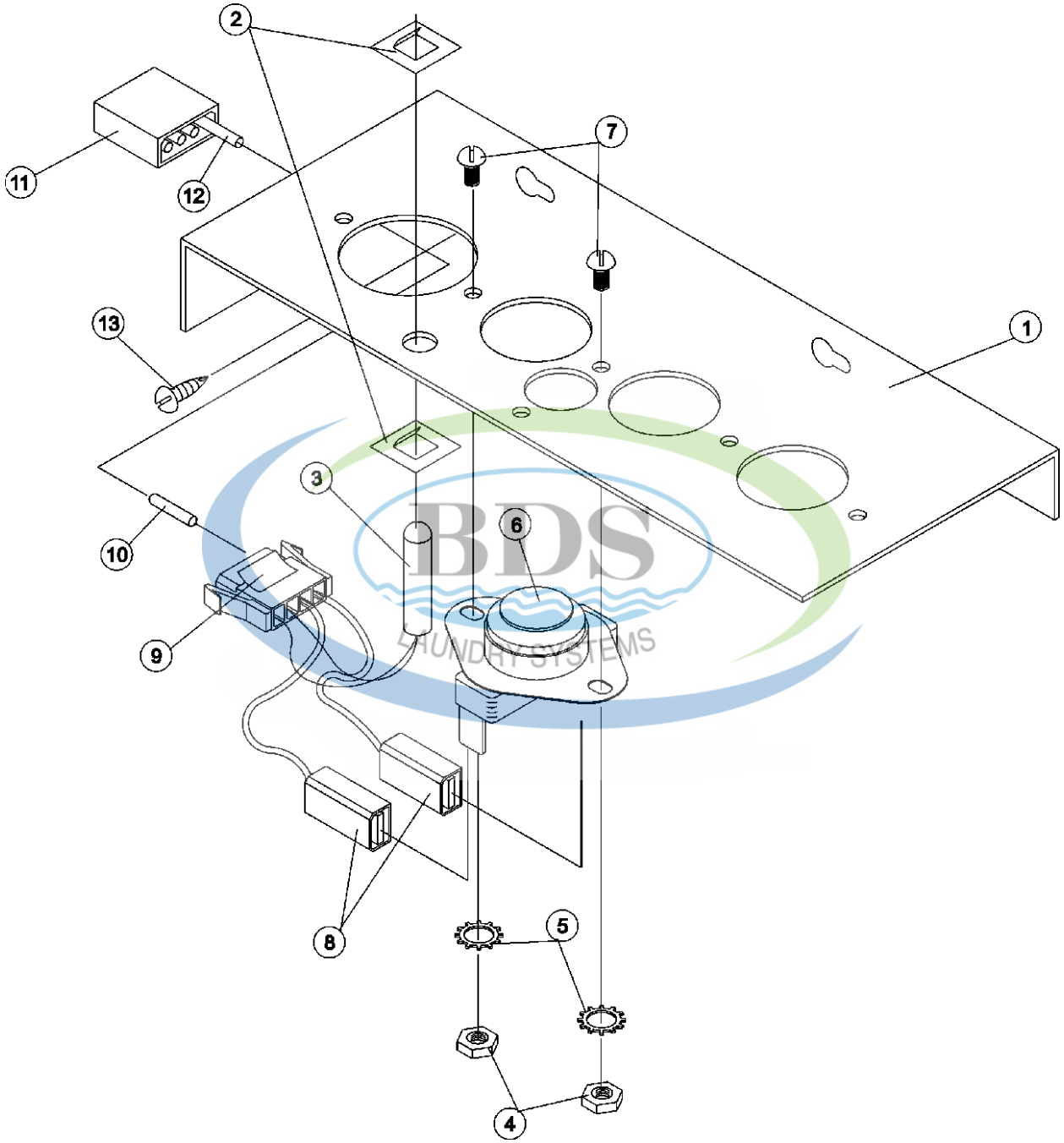
Ref #	Part Number	Qty.	Description
1	802106	1	BASKET, LINT ASSEMBLY
1	802125	1	BASKET, LINT ASSY SS
1	850950	1	ASSY, LINT DRAWER
1	850967	1	ASSY, LINT DRAWER(SS)
2	820017	1	SCREEN, LINT (ONLY)
3	122116	1	SWITCH, LINT BASKET
4	122605	1	CONNECTOR, 4-PIN SOCKET
5	122701	1	TERMINAL, SOCKET (ONLY)
5	122801	1	TOOL, EXTRACTION (PIN/SOCKET)
6	882507	1	SWITCH BOX ASSEMBLY, LINT
7	150301	4	SCREW, TEK (No.8-18 X 7/16 PH
8	122700	2	TERMINAL, PIN
9	122604	1	CONNECTOR (4 PIN)
10	150301	2	SCREW, TEK (No.8-18 X 7/16 PH
11	319076	1	PANEL, DIVIDER RIGHT HAND
12	319077	1	PANEL, DIVIDER LEFT HAND
13	150301	14	SCREW, TEK (No.8-18 X 7/16 PH





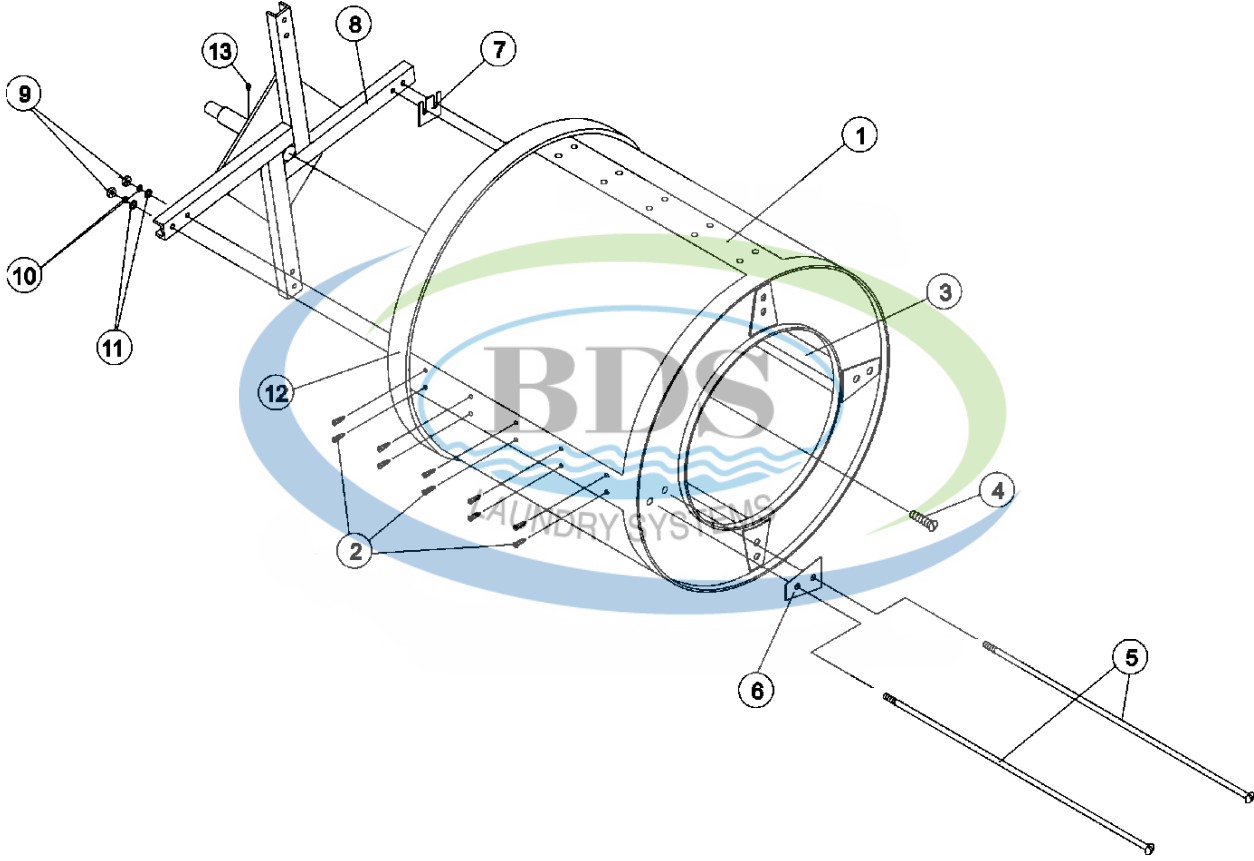
Ref #	Part Number	Qty.	Description
1	820021	1	DROP LINT ASSY SS
1	824256	1	DOOR, LINT ASSEMBLY
2	117602	5	TAPE, NOISE SUPPRESSOR
3	150309	5	SCREW, CRIMPTITE
4	117604	8	TAPE, FOAM (SOLD IN FEET)





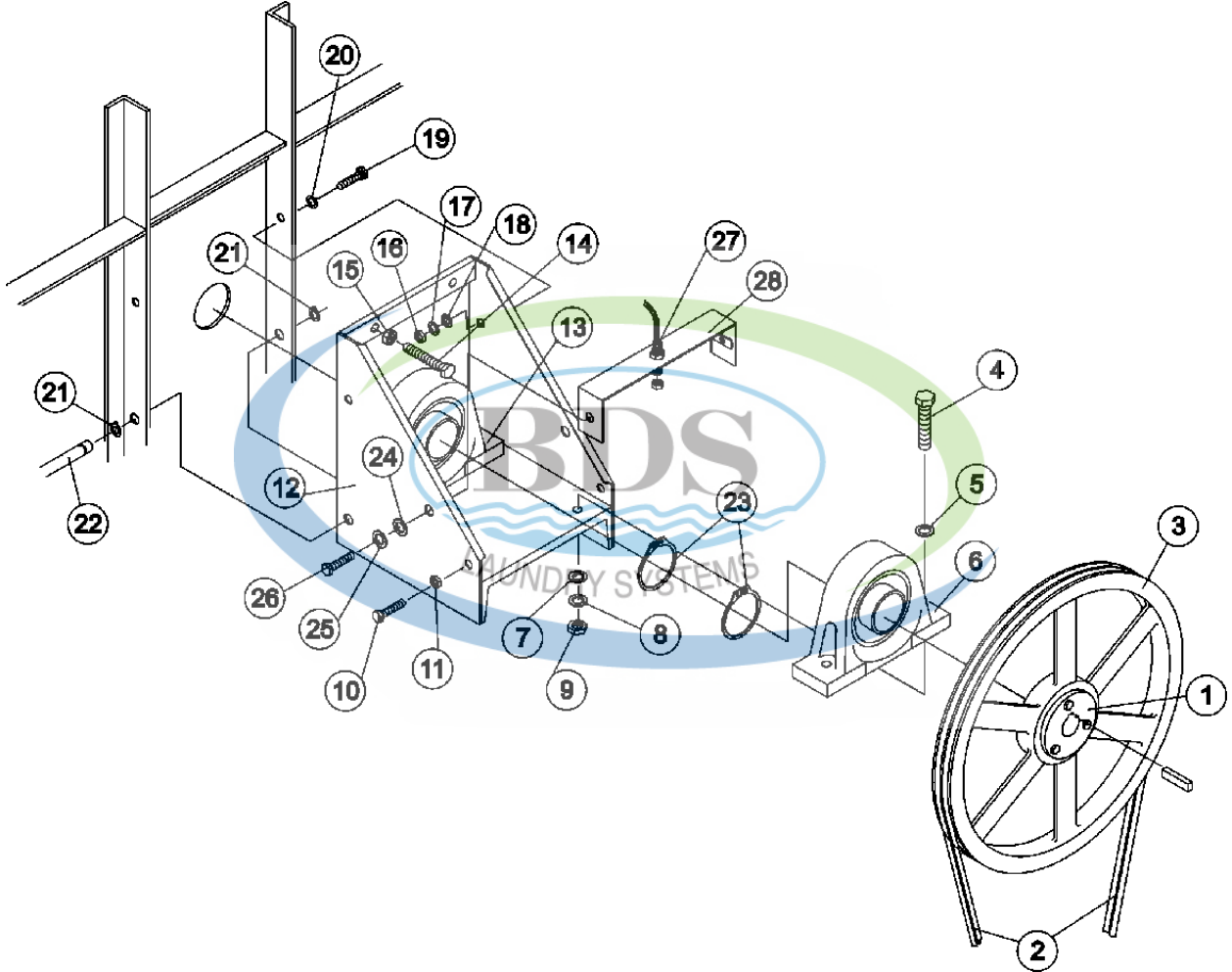
Ref #	Part Number	Qty.	Description
1	331295	1	BRACKET, TEMPERATURE SENSOR
1	820022	1	BRACKET, TEMPERATURE SENSOR
2	154007	2	FASTENER, PUSH-ON (1/4``)
3	880251	1	PROBE ASSY., TEMP. (1/4``)
4	152000	2	NUT, HEX (No.6-32)
5	153010	2	WASHER, STAR (No.6)
6	130302	1	THERMOSTAT, AUTOMATIC (ONLY)
7	150000	2	SCREW, MACHINE (RD.HD. SLOT)
8	121028	2	TERMINAL, 1/4`` INSUL. (FEMALE)
9	122605	1	CONNECTOR, 4-PIN SOCKET
10	122701	4	TERMINAL, SOCKET (ONLY)
11	122604	1	CONNECTOR (4 PIN)
12	122700	4	TERMINAL, PIN
12	122801	1	TOOL, EXTRACTION (PIN/SOCKET)
13	150301	2	SCREW, TEK (No.8-18 X 7/16 PH)





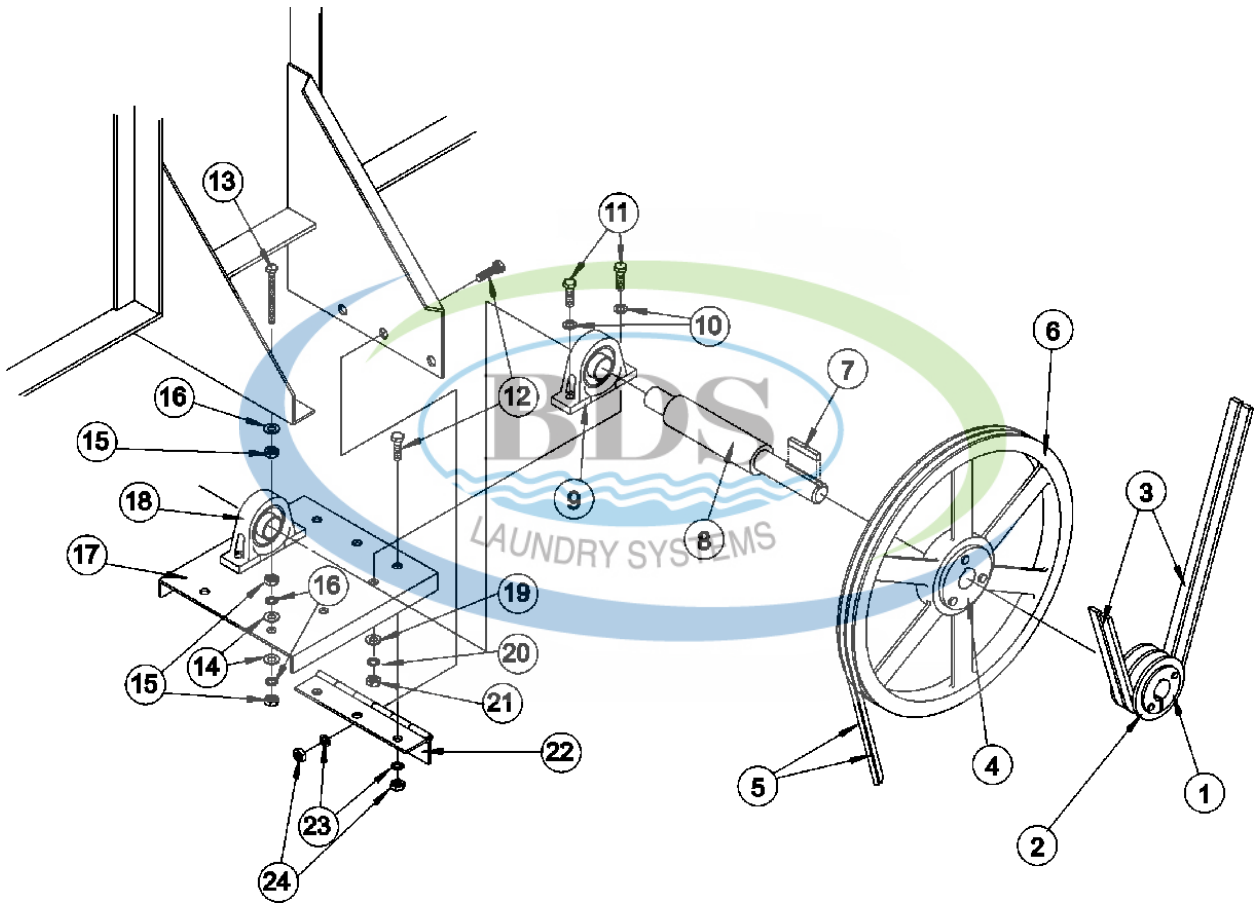
Ref #	Part Number	Qty.	Description
1	820052	1	TUMBLER & SUPPORT ASSY.
1	820110	1	TUMBLER (ONLY) W/O FELT COLLAR
2	150413	40	SCREW, CRIMPTITE
3	331105	4	RIB, TUMBLER (ONLY)
3	331106	4	RIB, TUMBLER (ONLY)
4	150500	1	SCREW, SOCKET BTTN. HD.
5	100910	8	ROD, TIE (1/2-13 X 44``)
6	301700	4	PLATE, TUMBLER REINFORCING
7	301701	1	SHIM, TUMBLER
8	820116	1	SUPPORT, TUMBLER (ONLY)
10	153026	8	WASHER, LOCK (1/2``)
11	153011	8	WASHER, FLAT (9/16``)
12	116006	1	COLLAR, FELT (ONLY)
12	401010	1	ADHESIVE, FELT COLLAR No.847
13	821002	1	HOLDER, ROTATIONAL MAGNET





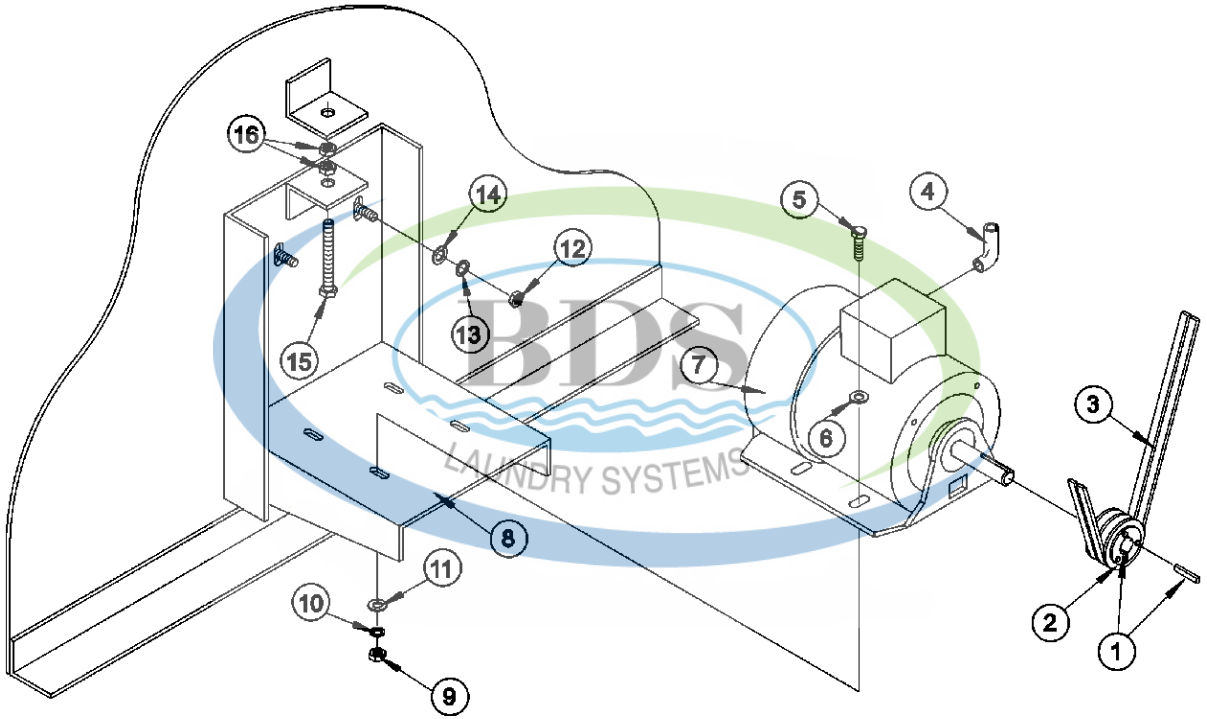
Ref #	Part Number	Qty.	Description
1	101137	1	BUSHING (2-1/4" SFX)
2	100135	2	BELT, V
3	101136	1	PULLEY, TUMBLER (20")
4	150602	4	BOLT, MACHINE (HX.HD.)
5	153016	4	WASHER, FLAT (5/8")
6	880204	1	BEARING, PILLOW BLOCK (ONLY)
7	153016	4	WASHER, FLAT (5/8")
8	153015	4	WASHER, LOCK (5/8")
9	152010	4	NUT, HEX (No.5/8-11)
10	150600	2	BOLT, MACHINE (No.16-3/8 X 11/2)
11	152005	2	NUT, HEX (No.16-3/8")
12	801102	1	MOUNT ASSY, TUMBLER BEARING
13	880204	1	BEARING, PILLOW BLOCK (ONLY)
14	150603	2	BOLT, MACHINE (SQ.HD.)
15	152011	2	NUT, HEX (No.1/2-13)
16	152005	2	NUT, HEX (No.16-3/8")
17	153005	2	WASHER, LOCK (3/8")
18	153004	4	WASHER, FLAT (3/8")
19	150600	2	BOLT, MACHINE (No.16-3/8 X 11/2)
20	153004	2	WASHER, FLAT (3/8")
21	100801	2	RING, RETAINING (5/8")
22	301810	1	PIN, HINGE
23	100811	2	RING, RETAINING (2-1/4")
24	153018	2	WASHER, FLAT (1/4")
25	153007	2	WASHER, LOCK (1/4")
26	150512	2	BOLT, MACHINE (HX.HD.)
27	824807	1	SENSOR ASSY. (ROTATIONAL)
28	880841	1	BRACKET, MOUNTING (SENSOR)





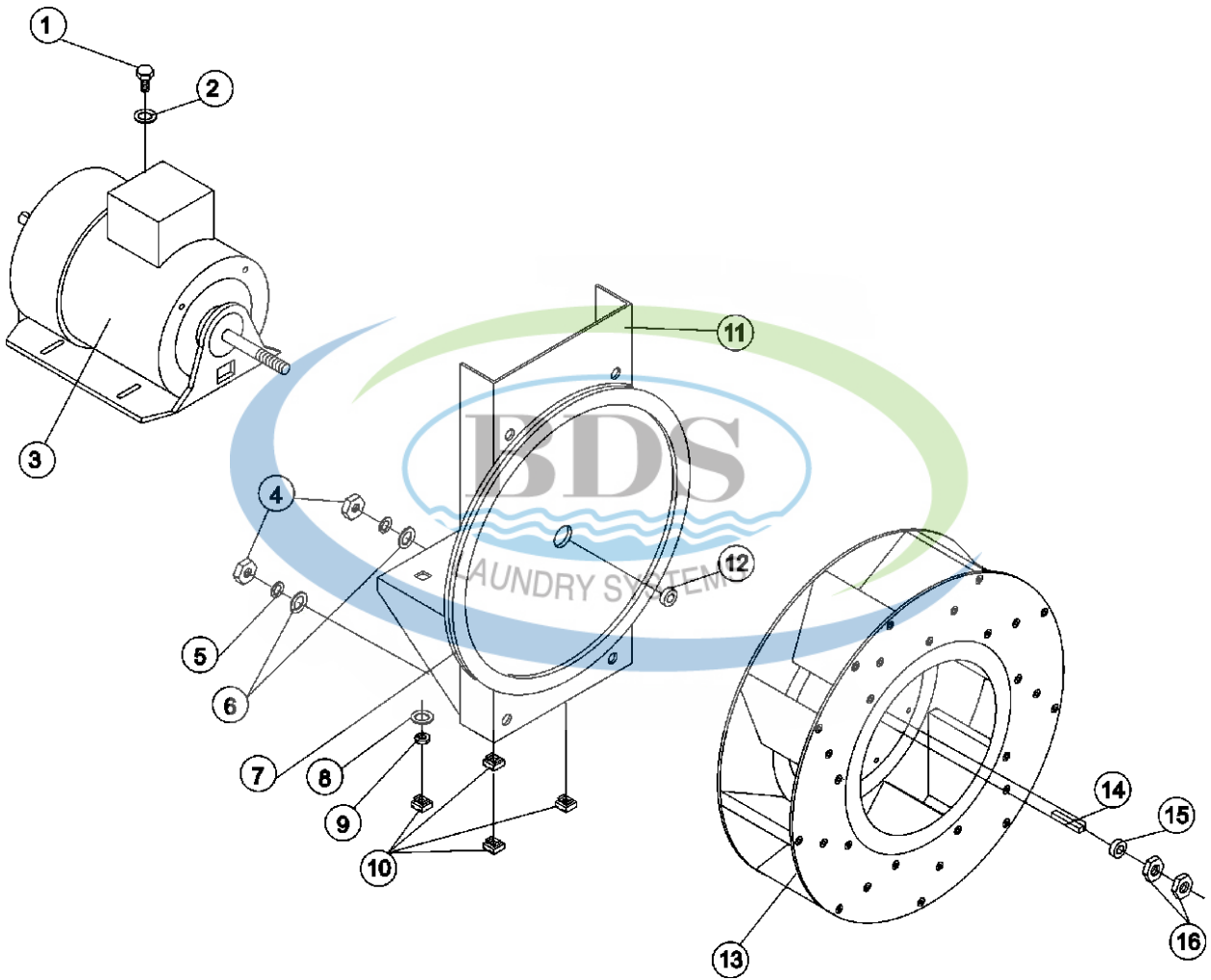
Ref #	Part Number	Qty.	Description
1	101110	1	BUSHING
2	101113	1	PULLEY, 2A3.0
3	100135	1	BELT, V
4	101107	1	BUSHING, SK
5	100170	1	BELT, V (3V-710)
6	101112	1	PULLEY, IDLER (19" ONLY)
7	100715	1	KEY
8	301852	1	SHAFT, IDLER
9	880205	1	BEARING, PILLOW BLOCK (ONLY)
10	153004	4	WASHER, FLAT (3/8")
11	150600	4	BOLT, MACHINE (No.16-3/8 X 11/2)
12	150512	6	BOLT, MACHINE (HX.HD.)
13	150509	2	BOLT, MACHINE (5/16-18 X 3")
14	153001	4	WASHER, FLAT (5/16")
15	152004	6	NUT, HEX (No.18-5/16)
16	153002	6	WASHER, LOCK (5/16")
17	311401	1	MOUNT, IDLER BEARING
17	801001	1	MOUNT ASSY, IDLER BEARING
18	880205	1	BEARING, PILLOW BLOCK (ONLY)
19	153004	4	WASHER, FLAT (3/8")
20	153005	4	WASHER, LOCK (3/8")
21	152005	4	NUT, HEX (No.16-3/8")
22	103005	1	HINGE, IDLER ADJUSTMENT (ONLY)
23	153007	6	WASHER, LOCK (1/4")
24	152002	6	HEX NUT (No.20-1/4")





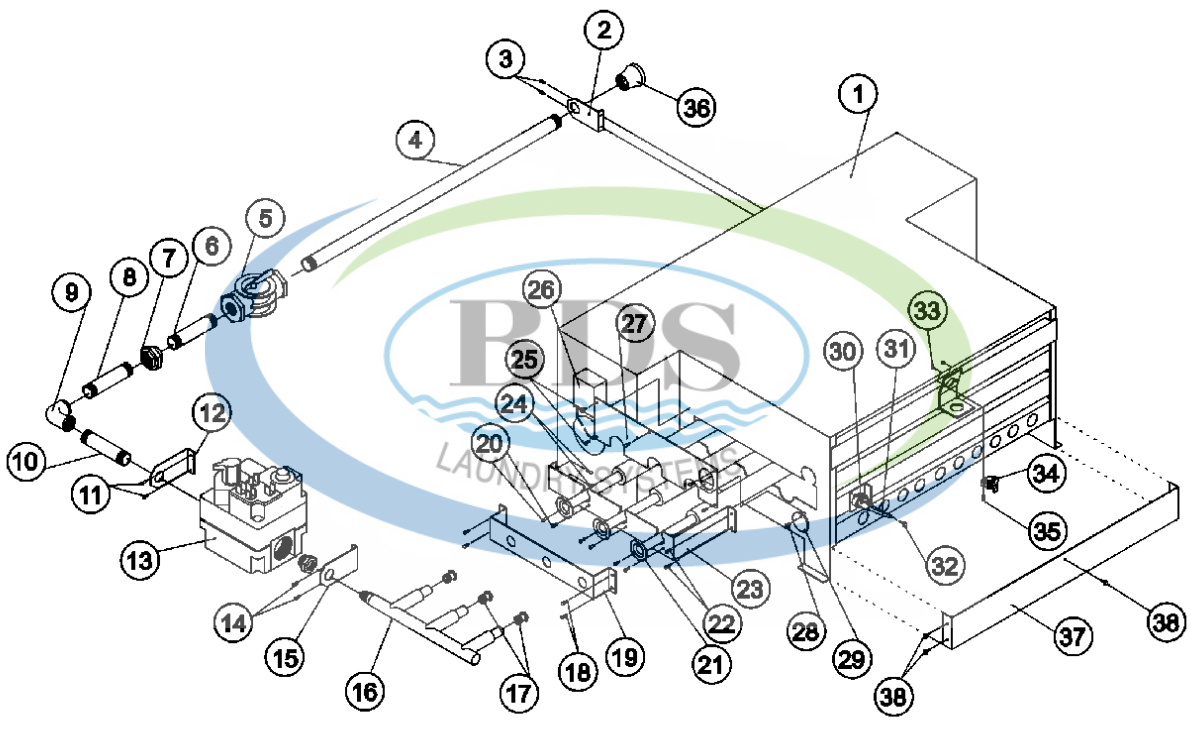
Ref #	Part Number	Qty.	Description
1	101121	1	BUSHING (5/8`` SK)
2	101114	1	PULLEY (2.65``)
3	100170	1	BELT, V (3V-710)
4	120200	1	CONNECTOR (3/8`` X 90 DEG.)
5	150501	4	BOLT, MACHINE (No.18-5/16 X 3/4)
6	153001	4	WASHER, FLAT (5/16``)
7	100029	1	MOTOR (3/4HP, 208, 60, 3 PHASE
8	800952	1	MOUNT, TUMBLER MOTOR (ONLY)
8	800953	1	MOUNT ASSY, TUMBLER MOTOR MNT
9	152004	4	NUT, HEX (No.18-5/16)
10	153002	4	WASHER, LOCK (5/16``)
11	153001	4	WASHER, FLAT (5/16``)
12	152004	4	NUT, HEX (No.18-5/16)
13	153002	4	WASHER, LOCK (5/16``)
14	153001	4	WASHER, FLAT (5/16``)
15	150619	1	BOLT, MACHINE (HX.HD.)
16	152005	2	NUT, HEX (No.16-3/8``)





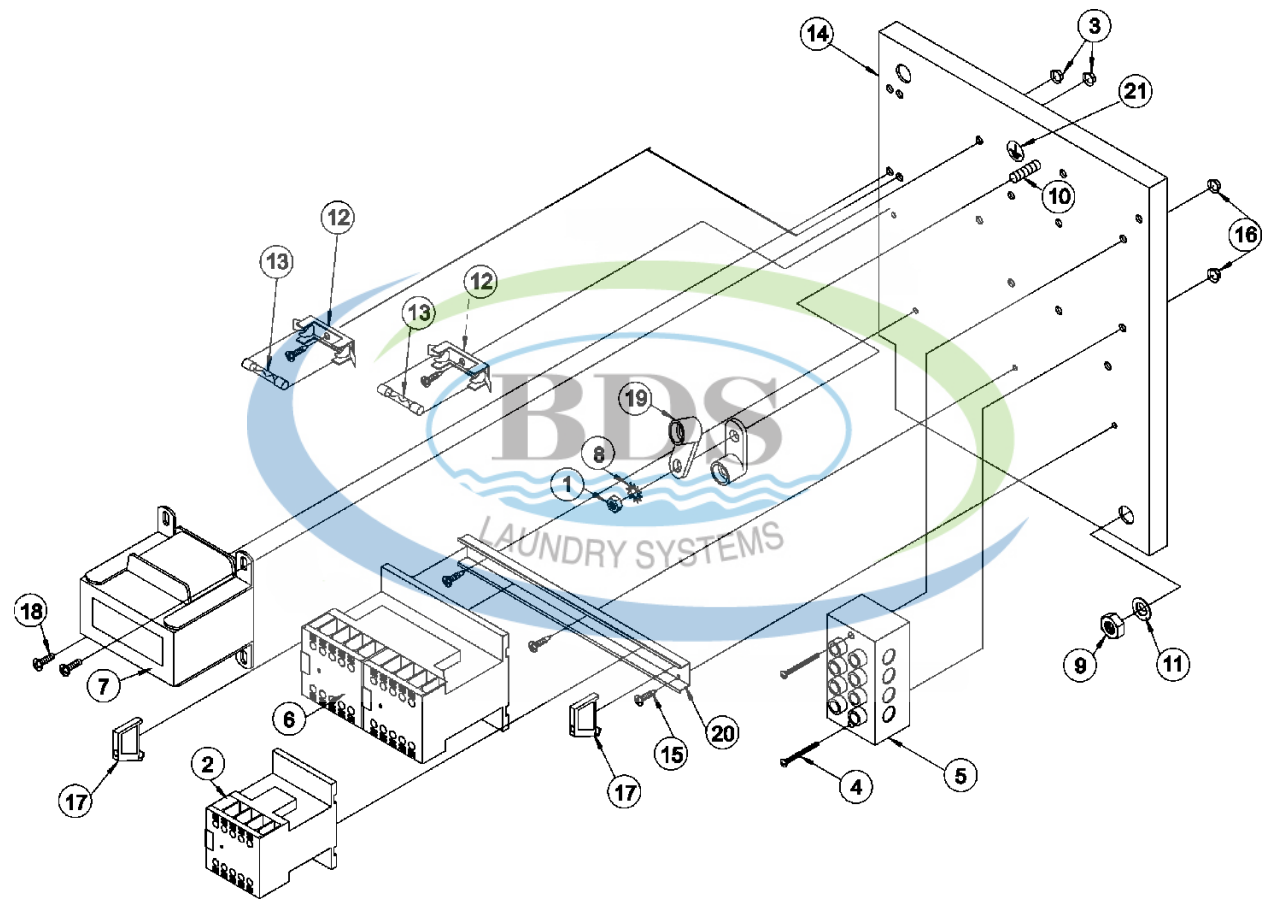
Ref #	Part Number	Qty.	Description
1	150501	4	BOLT, MACHINE (No.18-5/16 X 3/4)
2	153001	4	WASHER, FLAT (5/16``)
3	181043	1	MOTOR, 3HP 208/230/460 50 HZ
4	152004	4	NUT, HEX (No.18-5/16)
5	153002	4	WASHER, LOCK (5/16``)
6	153001	4	WASHER, FLAT (5/16``)
7	117604	4	TAPE, FOAM (SOLD IN FEET)
8	153001	4	WASHER, FLAT (5/16``)
9	153002	4	WASHER, LOCK (5/16``)
10	152004	4	NUT, HEX (No.18-5/16)
11	803561	1	MOTOR MOUNT, BLOWER
12	153055	1	WASHER, MOTOR MOUNT
13	802027	1	IMPELLOR, 16`` HIGH FLOW
14	100705	1	KEY (3/16`` X 3/16`` X 1-3/8``)
15	153055	1	WASHER, MOTOR MOUNT
16	152006	2	NUT, JAM (No.20-1/2`` LT-HAND)





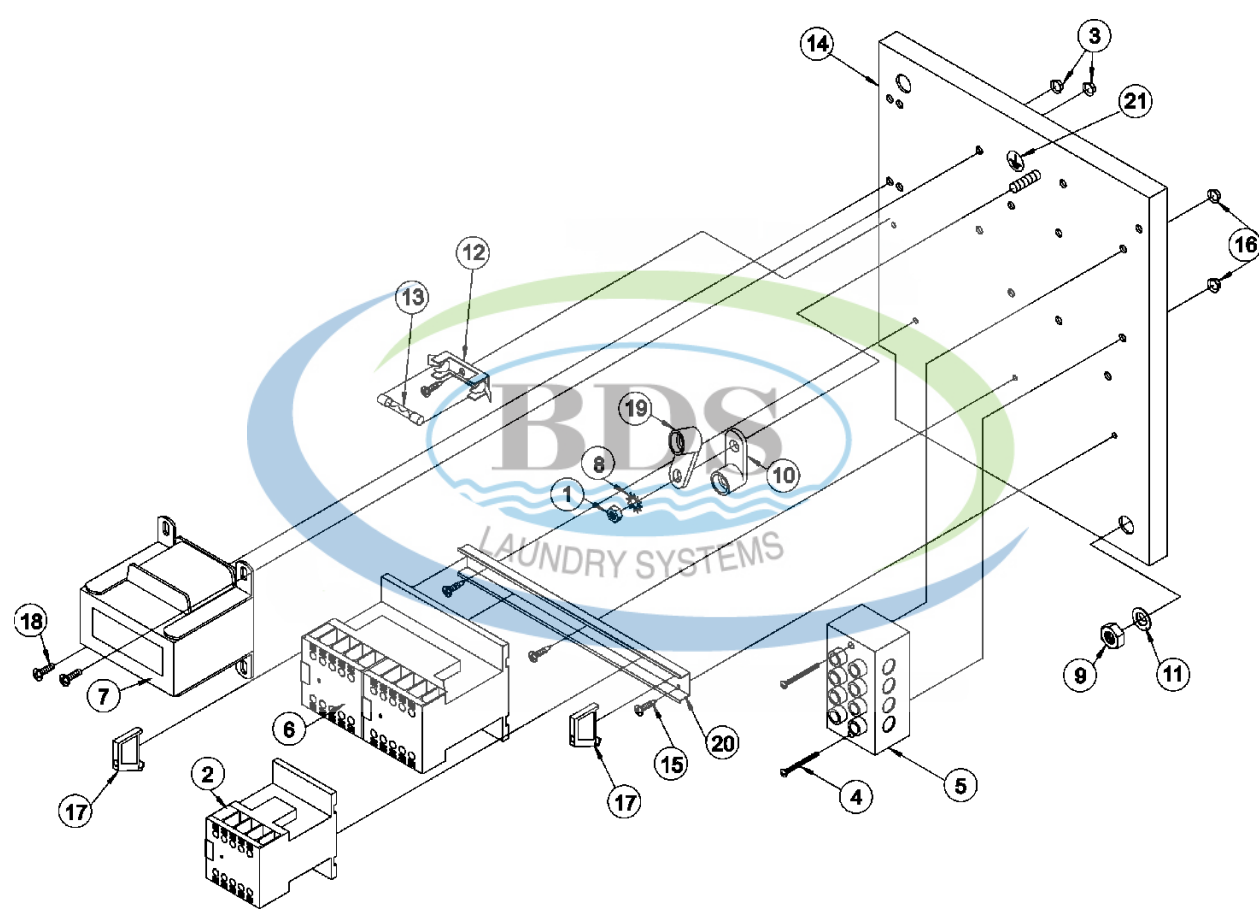
Ref #	Part Number	Qty.	Description
1	820201	1	BOX, BURNER (ONLY)
1	880874	1	BURNER ASSEMBLY (NAT. GAS)
1	880875	1	BURNER ASSEMBLY (L.P.)
1	880886	1	CONVERSION KIT
2	331291	1	BRACKET, PIPE
3	150309	2	SCREW, CRIMPTITE
4	142813	1	NIPPLE (3/4" X 32 1/2")
5	141300	1	SHUTOFF, UNION
6	142701	1	NIPPLE, CLOSE
7	142601	1	UNION
8	142710	1	NIPPLE (3/4" X 4")
9	142504	1	ELBOW (3/4" X 90 DEG)
10	142734	1	NIPPLE (3/4" X 5 1/2")
11	150413	2	SCREW, CRIMPTITE
12	331291	1	BRACKET, PIPE
13	140026	1	VALVE, REDUNDANT
13	140411	1	CONVERSION KIT, GAS VALVE
14	150309	2	SCREW, CRIMPTITE
15	331291	1	BRACKET, PIPE
16	141208	1	MANIFOLD, 3-PORT
17	140819	3	BURNER ORIFICE (NAT)
17	140832	3	ORIFICE, BURNER (ONLY)
18	150309	4	SCREW, CRIMPTITE
19	331288	1	SUPPORT, MANIFOLD (ONLY)
20	150309	6	SCREW, CRIMPTITE
21	141110	3	TUBE, BURNER (ONLY)
22	150309	2	SCREW, CRIMPTITE
23	331287	1	SUPPORT, BURNER TUBE (ONLY)
24	150309	2	SCREW, CRIMPTITE
25	150309	6	SCREW, CRIMPTITE
26	802801	1	BOX, SAIL SWITCH ASSY
27	331289	1	PLATE, BURNER BOX CVR (ONLY)
28	150413	1	SCREW, CRIMPTITE
29	331290	1	DISC, IGNITOR/FLAME PROBE
30	305410	1	GAUGE, IGNITOR GAP FEELER
30	880325	1	IGNITER/FLAME PROBE ASSY. KIT
31	880330	1	CONNECTOR, IGNITOR HV WIRE
32	150413	2	SCREW, CRIMPTITE
33	151000	2	PAL NUT (No.6-32)
34	130201	1	HI-LIMIT
35	150001	2	SCREW, MACHINE (No.6-32 X 1/2")
36	142924	1	COUPLING, REDUCING
37	332256	1	BAFFLE, BURNER KIT (ONLY)
38	150309	1	SCREW, CRIMPTITE





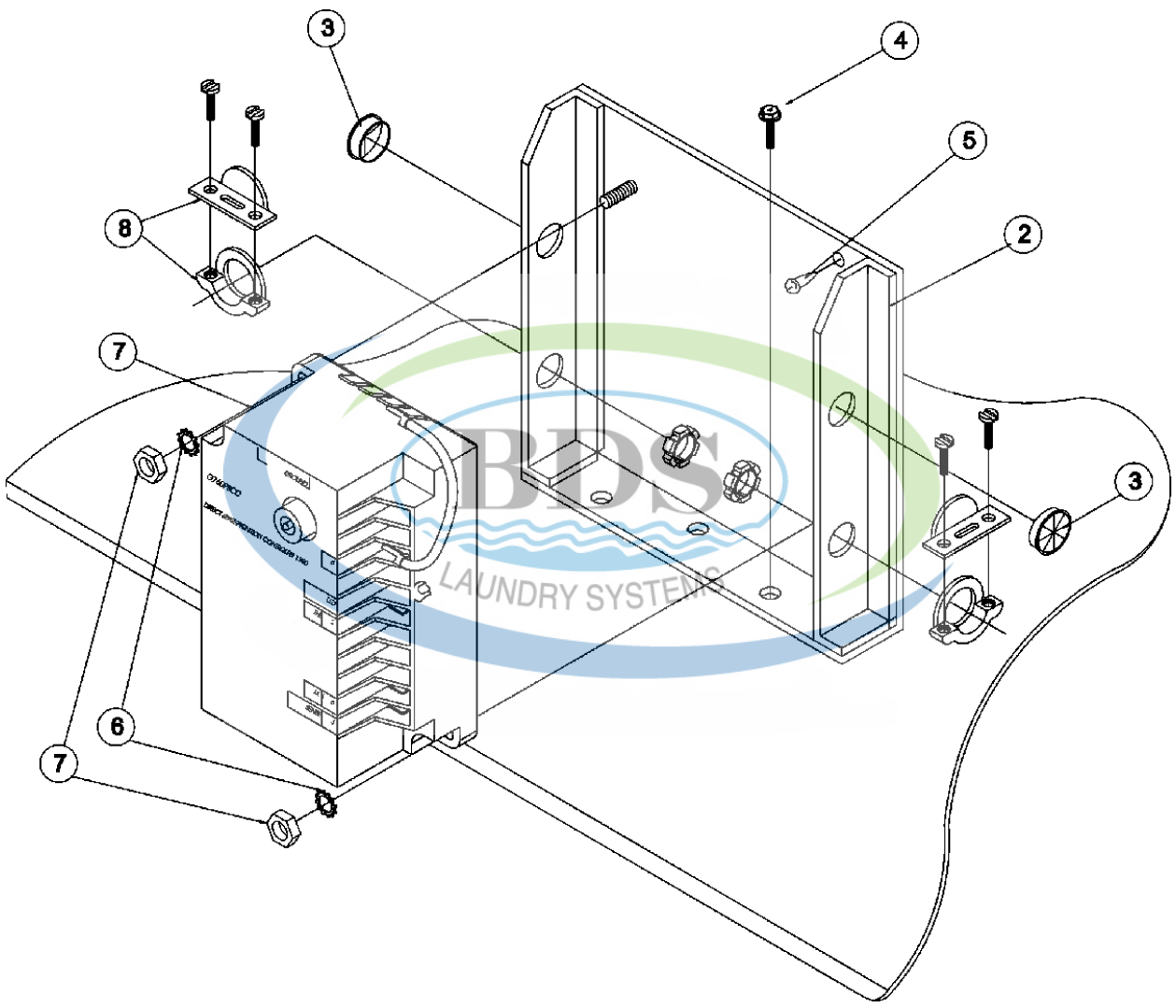
Ref #	Part Number	Qty.	Description
1	152002	1	HEX NUT (No.20-1/4``)
2	132415	1	3-PHASE CONTACTOR
3	151001	2	NUT, PAL (No.8-32)
4	150006	2	6-32X7/8`` RND HD MACHINE SCREW
5	120701	1	BLOCK, POWER DISTRIBUTION
6	132497	1	REVERSING CONTACTOR
7	822764	1	TRANSFORMER, 208/240 V
8	153021	1	WASHER, SHAKE PROOF
9	152004	1	NUT, HEX (No.18-5/16)
10	153525	2	STUD, SELF CLINCHING
11	153002	1	WASHER, LOCK (5/16``)
12	136008	2	STRIP, FUSE BLOCK (ONLY)
13	136057	2	FUSE, 1/2-AMP SLO-BLO
14	332346	1	PANEL, RELAY/CONTACTOR (ONLY)
15	150301	5	SCREW, TEK (No.8-18 X 7/16 PH
16	151000	2	PAL NUT (No.6-32)
17	120765	2	BRACKET, END STOP
18	150108	2	SCREW, MACHINE
19	121010	2	LUG, GROUND (L-70)
20	120768	1	RAIL, DIN MOUNTING
21	112075	1	LABEL, GROUND





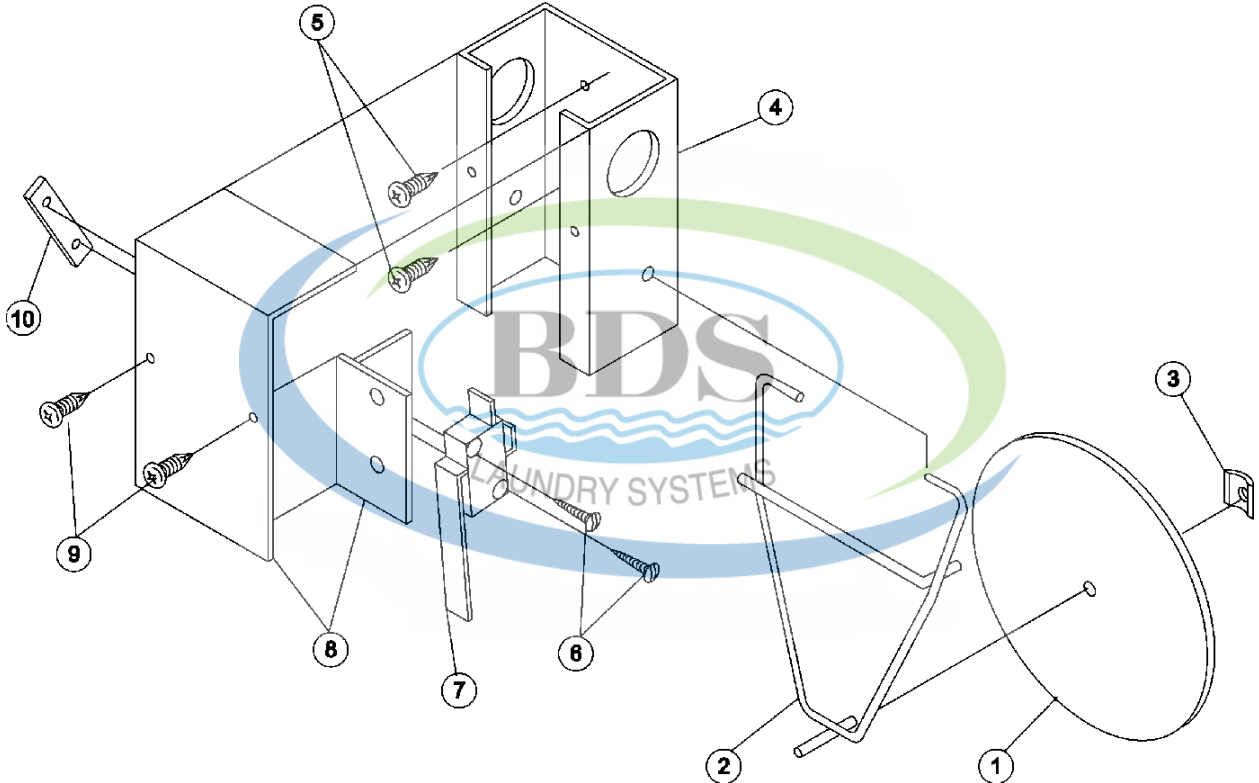
Ref #	Part Number	Qty.	Description
1	152002	1	HEX NUT (No.20-1/4``)
2	132514	1	3 PHASE CONTACTOR
3	151001	2	NUT, PAL (No.8-32)
4	150009	2	SCREW, MACHINE 6-32X1-1/2
5	120701	1	BLOCK, POWER DISTRIBUTION
6	132497	1	REVERSING CONTACTOR
7	830211	1	380-416V TRANSFORMER ASSEMBLY
8	153021	1	WASHER, SHAKE PROOF
9	152004	1	NUT, HEX (No.18-5/16)
10	121012	1	CONNECTOR, STRAIGHT (3/8``)
11	153002	1	WASHER, LOCK (5/16``)
12	136008	1	STRIP, FUSE BLOCK (ONLY)
13	136057	1	FUSE, 1/2-AMP SLO-BLO
14	332346	1	PANEL, RELAY/CONTACTOR (ONLY)
15	150301	4	SCREW, TEK (No.8-18 X 7/16 PH
16	151000	2	PAL NUT (No.6-32)
17	120765	2	BRACKET, END STOP
18	150108	2	SCREW, MACHINE
19	121010	1	LUG, GROUND (L-70)
20	120768	1	RAIL, DIN MOUNTING
21	112075	1	LABEL, GROUND





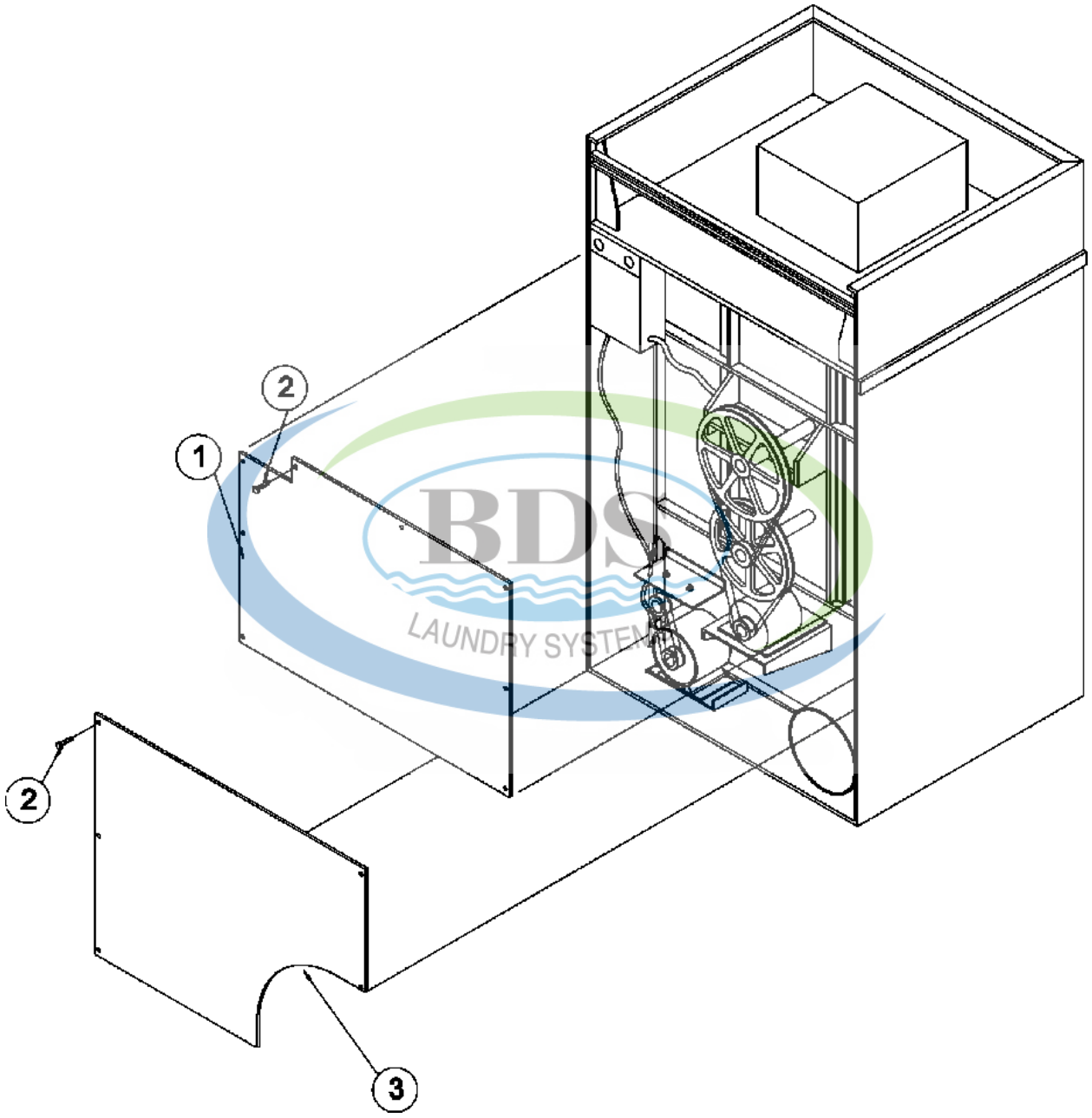
Ref #	Part Number	Qty.	Description
1	128935	1	MODULE (DSI)
1	128937	1	MODULE (DSI)
1	815724	1	ASSY, BRACKET
2	820100	1	MODULE MOUNT ASSY. (ONLY)
3	121400	2	BUSHING (UNIVERSAL)
4	150522	3	SCREW, HEX 1/4-20X1/2
5	150301	1	SCREW, TEK (No.8-18 X 7/16 PH
6	153010	4	WASHER, STAR (No.6)
7	152000	4	NUT, HEX (No.6-32)
8	120102	2	CONNECTOR, KNOCK-OUT





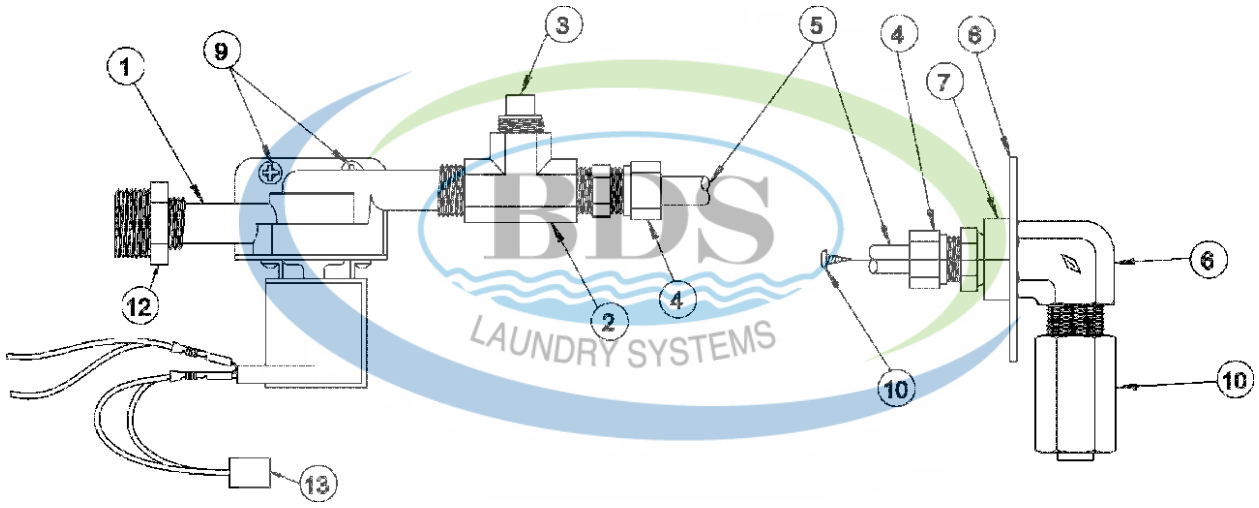
Ref #	Part Number	Qty.	Description
1	105500	1	ROD, SAIL SWITCH ACTUATOR
2	319202	1	DAMPER, SAIL SWITCH (FLAT)
3	154002	1	FASTENER, PUSH-ON (1/8")
4	802800	1	BOX, SAIL SWITCH (ONLY)
4	802801	1	BOX, SAIL SWITCH ASSY
5	150309	2	SCREW, CRIMPTITE
6	150303	2	SCREW (No.4 X 3/4")
7	122200	1	SWITCH, SAIL
8	802799	1	COVER, SAIL SWITCH BOX W/BRKT.
9	150413	2	SCREW, CRIMPTITE
10	154004	1	NUT, TWIN SPEED





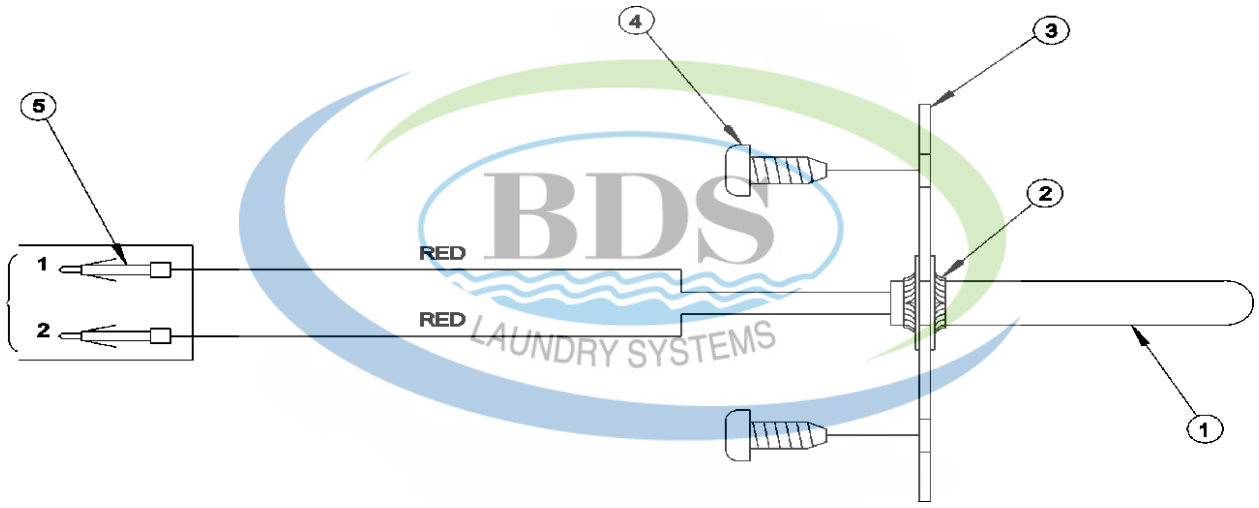
Ref #	Part Number	Qty.	Description
1	813029	1	WELDMENT, BACKGUARD (TOP)
2	150301	12	SCREW, TEK (No.8-18 X 7/16 PH
3	354000	1	BACKGUARD (LWR. GAS & ELEC)





Ref #	Part Number	Qty.	Description
1	165114	1	VALVE, SOLENOID (SAFE)
2	143220	1	TEE, BRASS 3/8
3	143251	1	PLUG, BRASS 3/8
4	143208	2	CONNECTOR, BRASS 3/8
5	143099	1	TUBING, WALL COPPER (FOOT)
6	311588	1	MOUNTING PLATE, SPRINKLER
7	143303	1	LOCKNUT, BRASS
8	143155	1	ELBOW, BRASS 90 DEG
9	150430	2	SCREW, SELF DRILLING (PH)
10	150301	2	SCREW, TEK (No.8-18 X 7/16 PH)
11	143581	1	NOZZLE, SPRAY
12	142888	1	BUSSING, 1/2 X 3/8
13	824081	1	NETWORK, R.C.





Ref #	Part Number	Qty.	Description
1	822752	1	PROBE, TEMP (COMPLETE)
2	154007	2	FASTENER, PUSH-ON (1/4`)
3	390390	1	BRACKET, SENSOR
4	150301	2	SCREW, TEK (No.8-18 X 7/16 PH
5	122643	2	PINS
5	122647	1	CONNECTOR (NO TERMINALS)

