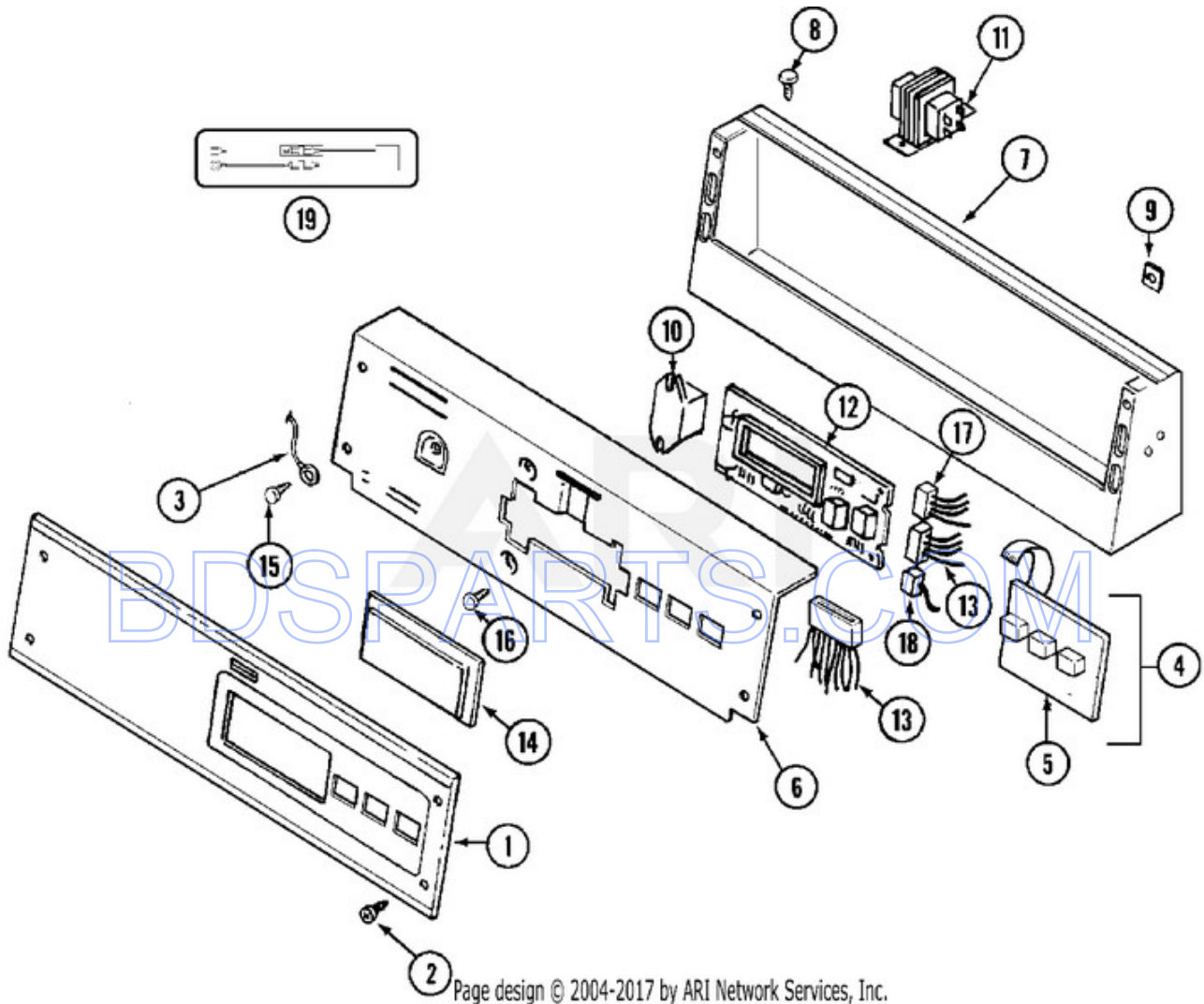
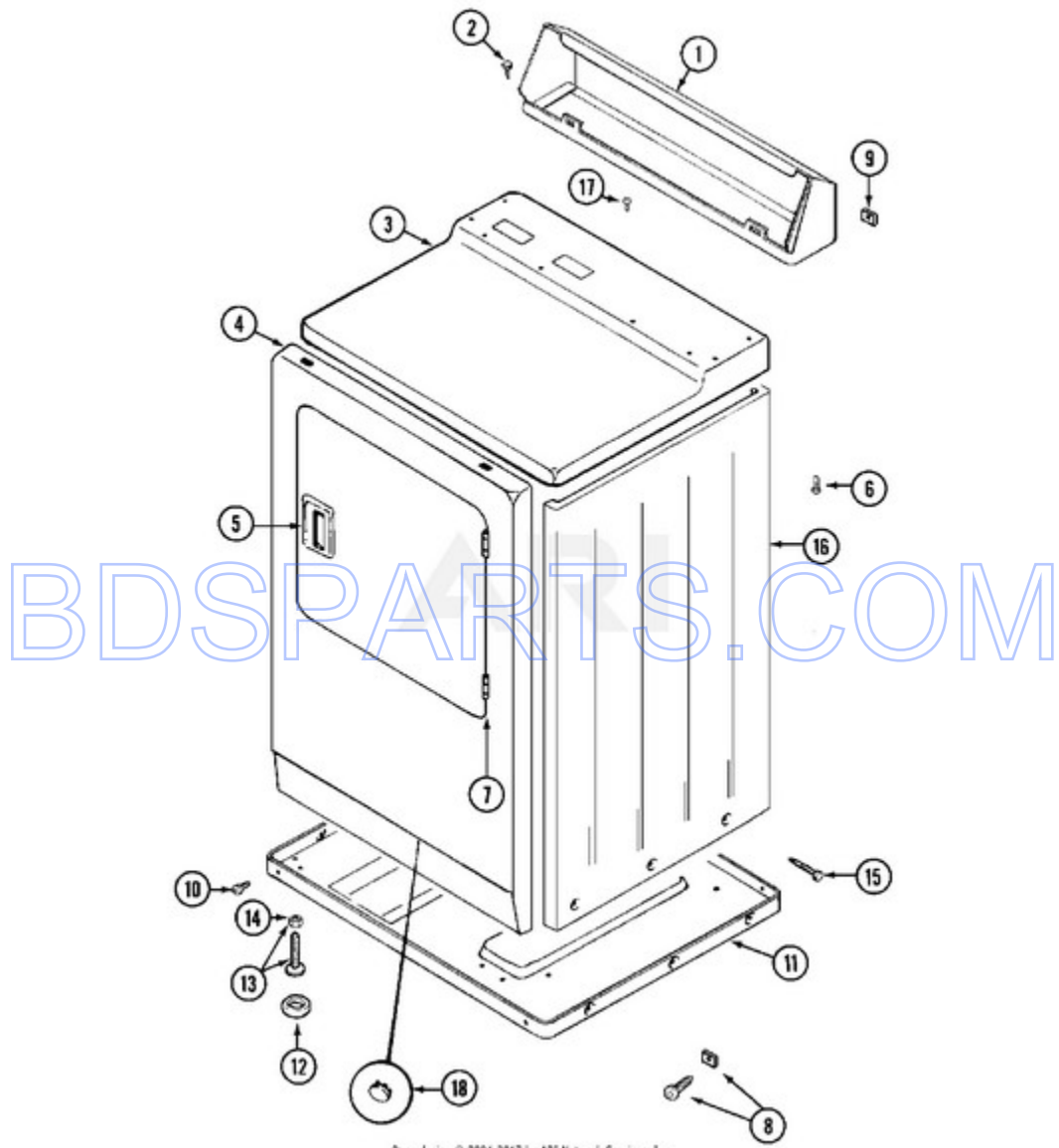


MDG12PDAAW - 01 - CONTROL PANEL



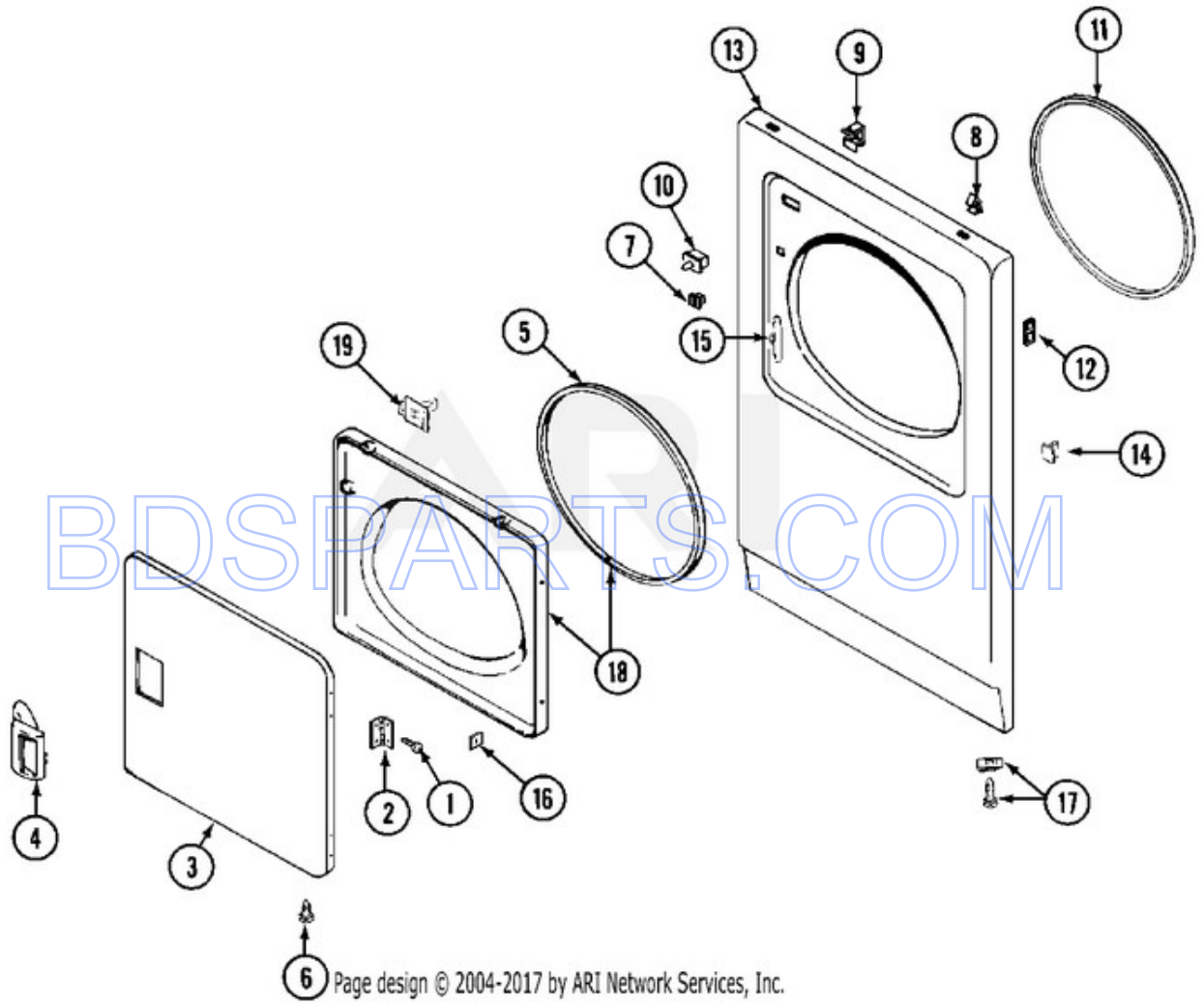
| Ref # | Part # | Description | Qty | Context | Note | MSRP |
|-------|----------|------------------------------|-----|---------|------|------|
| 001 | NLA | PANEL, CONTROL | 1 | Series | 10 | |
| 002 | 215506 | SCREW, CONTROL PANEL | 4 | Series | 10 | |
| 003 | NLA | WIRE, GROUND | 1 | Series | 10 | |
| 004 | 215527 | SCREW, SWITCH | 2 | Series | 10 | |
| 004 | 306694 | CONTROL SWITCH ASSEMBLY | 1 | Series | 10 | |
| 005 | 215517 | PUSHBUTTON, CONTROL SWITCH | 1 | Series | 10 | |
| 006 | NLA | PLATE, BACKUP (WHT) | 1 | Series | 10 | |
| 007 | NLA | CONSOLE (WHT) | 1 | Series | 10 | |
| 008 | 212276 | SCREW, CONSOLE | 5 | Series | 10 | |
| 009 | 215003 | CLIP, SCREW | 2 | Series | 10 | |
| 010 | 206824 | RELAY, MOTOR (SPST) | 1 | Series | 10 | |
| 010 | Y313559 | SCREW, RELAY | 1 | Series | 10 | |
| 011 | 211294 | SCREW, TRANSFORMER | 1 | Series | 10 | |
| 011 | 207766 | TRANSFORMER | 1 | Series | 10 | |
| 12 | Y215513 | SPACER CIRCUIT BOARD | 4 | Series | 10 | |
| 012 | NLA | CIRCUIT BOARD ASSEMBLY | 1 | Series | 10 | |
| 12 | 912077 | LOCKNUT | 6 | Series | 10 | |
| 13 | 314531 | CONNECTOR, EDGEBOARD | 2 | Series | 10 | |
| 13 | 33001574 | WIRE HARNESS, MAIN | 1 | Series | 10 | |
| 14 | 33001208 | COVER, DISPLAY | 1 | Series | 10 | |
| 15 | 211252 | SCREW, GROUND WIRE | 1 | Series | 10 | |
| 16 | 215526 | SCREW, CONTROL BOARD | 2 | Series | 10 | |
| 17 | 206799 | OPTIC SWITCH ASSEMBLY | 1 | Series | 10 | |
| 017 | NLA | CONNECTOR, EDGEBOARD----NA | 1 | Series | 10 | |
| 018 | 22001361 | CONNECTOR, EDGEBOARD | 1 | Series | 10 | |
| 18 | 208045 | HARNESS, WIRE (SENSOR SW`S.) | 1 | Series | 10 | |
| 019 | NLA | SURGE SUPPRESSOR KIT | 1 | Series | 10 | |

MDG12PDAAW - 02 - CABINET-FRONT



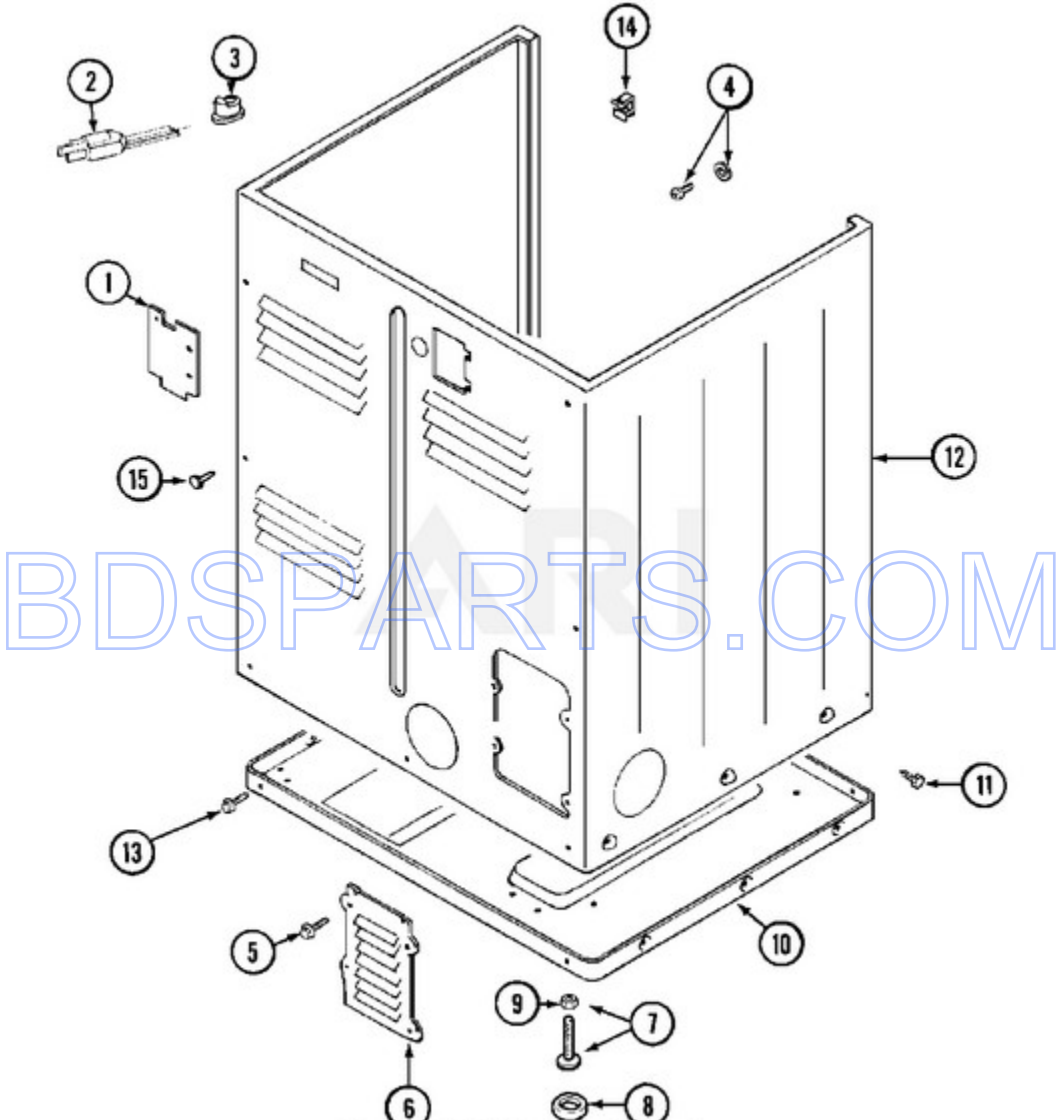
| Ref # | Part # | Description | Qty | Context | Note | MSRP |
|-------|----------|--------------------------|-----|---------|------|------|
| 001 | NLA | CONSOLE (WHT) | 1 | Series | 10 | |
| 002 | 212276 | SCREW, CONSOLE | 4 | Series | 10 | |
| 003 | 33001703 | COVER, TOP (WHT) | 1 | Series | 10 | |
| 003 | NLA | (ALM) | - | Series | 10 | |
| 004 | 33001486 | PANEL, FASTENER | 4 | Series | 10 | |
| 004 | NLA | PANEL, FRONT (WHT)----NA | 1 | Series | 10 | |
| 005 | 33001241 | HANDLE, DOOR (WHT) | 1 | Series | 10 | |
| 005 | 33001254 | (ALM) | - | Series | 10 | |
| 006 | 214354 | SCREW, TOP COVER | 2 | Series | 10 | |
| 007 | 33001230 | HINGE, DOOR | 2 | Series | 10 | |
| 008 | 22001496 | SCREW, FRONT PANEL | 2 | Series | 10 | |
| 009 | 215075 | FASTENER, CONSOLE | 2 | Series | 10 | |
| 010 | Y313561 | SCREW, CABINET | 2 | Series | 10 | |
| 010 | Y310632 | SCREW, CABINET | 3 | Series | 10 | |
| 011 | Y303361 | BASE ASSEMBLY | 1 | Series | 10 | |
| 12 | Y314137 | FOOT, RUBBER | 4 | Series | 10 | |
| 13 | Y305086 | ADJUSTABLE LEG & NUT | 4 | Series | 10 | |
| 14 | Y052740 | NUT, LEG | 4 | Series | 10 | |
| 015 | 213007 | SCREW, CABINET SIDES | 6 | Series | 10 | |
| 016 | NLA | CABINET (WHT) | 1 | Series | 10 | |
| 017 | 210186 | SCREW, GROUND | 1 | Series | 10 | |
| 018 | 33001614 | PLUG, FRONT PANEL (WHT) | 1 | Series | 10 | |
| 018 | 33001615 | (ALM) | - | Series | 10 | |

MDG12PDAAW - 03 - DOOR



| Ref # | Part # | Description | Qty | Context | Note | MSRP |
|-------|----------|--------------------------|-----|---------|------|------|
| 001 | Y314062 | SCREW,HINGE,DOOR,& PANEL | 14 | Series | 10 | |
| 002 | 33001230 | HINGE, DOOR | 2 | Series | 10 | |
| 003 | 33001257 | (ALM) | - | Series | 10 | |
| 003 | 33001240 | DOOR (WHT) | 1 | Series | 10 | |
| 004 | 33001241 | HANDLE, DOOR (WHT) | 1 | Series | 10 | |
| 004 | 33001254 | (ALM) | - | Series | 10 | |
| 005 | 33001131 | SEAL, DOOR | 1 | Series | 10 | |
| 006 | 33001168 | (ALM) | - | Series | 10 | |
| 006 | 33001132 | PLUG, DOOR (WHT) | 2 | Series | 10 | |
| 007 | Y304578 | CATCH, DOOR (FEMALE) | 2 | Series | 10 | |
| 008 | 22001650 | FASTENER, SPRING | 2 | Series | 10 | |
| 009 | Y310376 | CLIP, CABLE | 2 | Series | 10 | |
| 010 | 33001509 | SWITCH, DOOR | 1 | Series | 10 | |
| 011 | 314937 | SEAL, FRONT PANEL | 1 | Series | 10 | |
| 012 | NLA | SCREW, PLASTIC | 4 | Series | 10 | |
| 12 | NLA | SPEEDNUT, HINGE SCREW | 4 | Series | 10 | |
| 13 | 33001486 | PANEL, FASTENER | 4 | Series | 10 | |
| 13 | NLA | PANEL, FRONT (WHT)----NA | 1 | Series | 10 | |
| 14 | NLA | PLUG, DOOR CATCH | 1 | Series | 10 | |
| 15 | 33001176 | (ALM) | - | Series | 10 | |
| 015 | 33001175 | COVER, HINGE HOLE (WHT) | 2 | Series | 10 | |
| 016 | Y313910 | FASTENER, INNER DOOR | 9 | Series | 10 | |
| 17 | 22001496 | SCREW, FRONT PANEL | 2 | Series | 10 | |
| 18 | 33001243 | DOOR, INNER (W/SEAL) | 1 | Series | 10 | |
| 19 | 314944 | BRACKET, STRIKE | 1 | Series | 10 | |
| 19 | 33001305 | STRIKE, DOOR (W/BRACKET) | 1 | Series | 10 | |

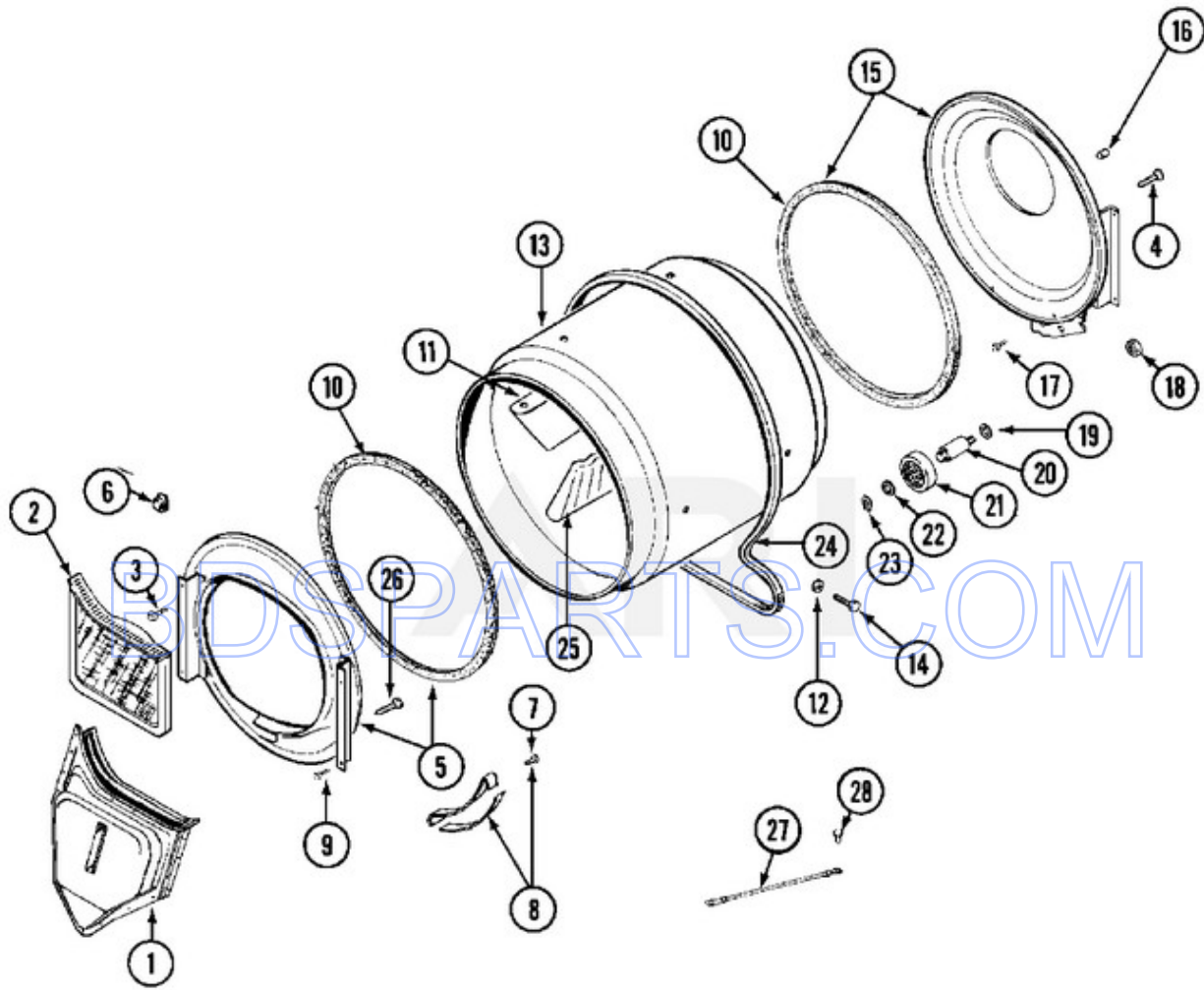
MDG12PDAAW - 04 - CABINET-REAR



BDSPARTS.COM

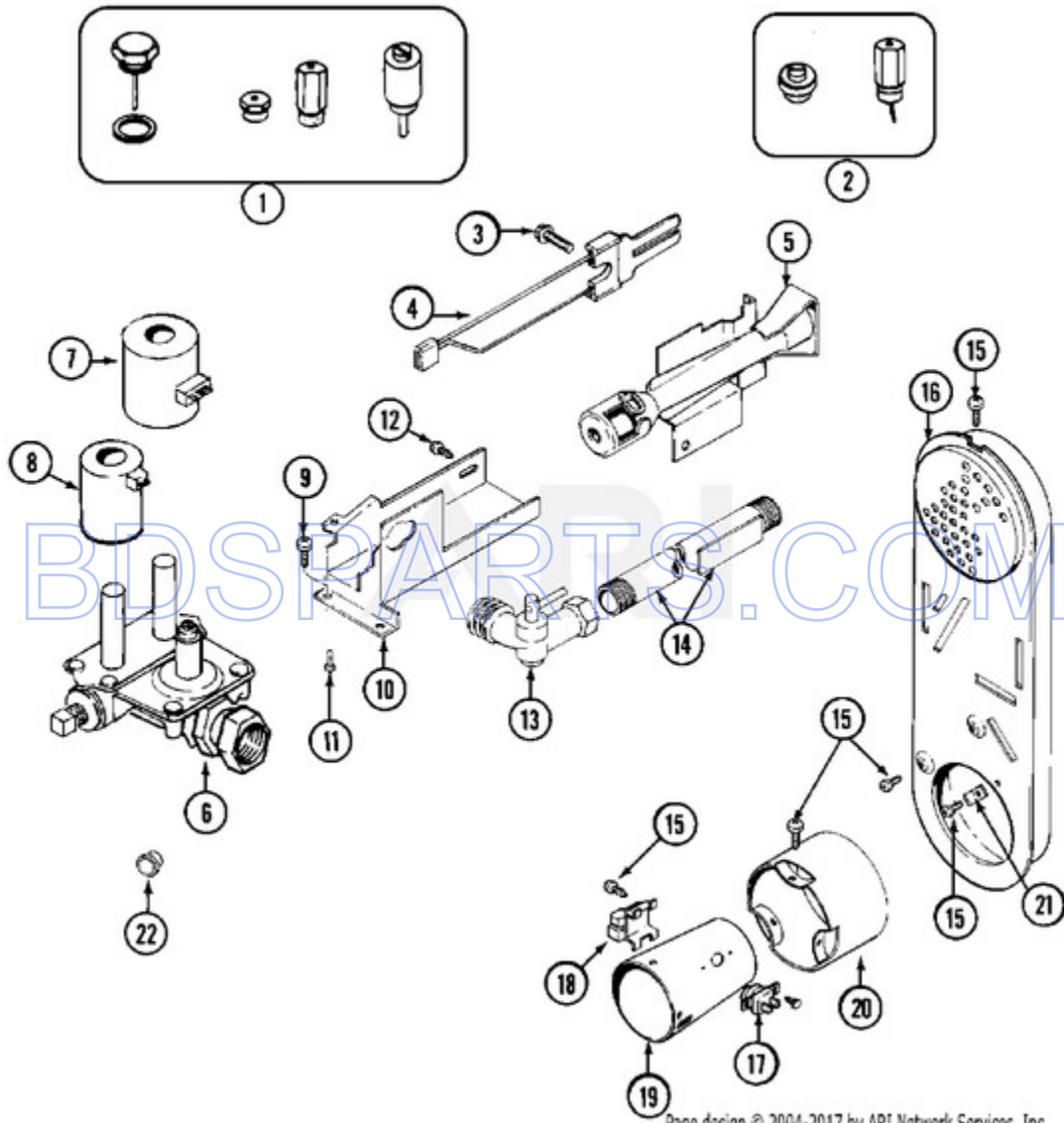
| Ref # | Part # | Description | Qty | Context | Note | MSRP |
|-------|----------|-------------------------|-----|---------|------|------|
| 001 | Y312905 | COVER, TERMINAL | 1 | Series | 10 | |
| 002 | 33001284 | CORD, POWER | 1 | Series | 10 | |
| 003 | 211881 | GROMMET, CORD | 1 | Series | 10 | |
| 004 | NLA | SCREW & WASHER ASSEMBLY | 1 | Series | 10 | |
| 005 | 216423 | SCREW, ACCESS COVER | 4 | Series | 10 | |
| 006 | Y312951 | COVER, ACCESS | 1 | Series | 10 | |
| 007 | 204807 | WIRE, GROUND | 1 | Series | 10 | |
| 007 | Y305086 | ADJUSTABLE LEG & NUT | 4 | Series | 10 | |
| 008 | Y314137 | FOOT, RUBBER | 4 | Series | 10 | |
| 009 | Y052740 | NUT, LEG | 4 | Series | 10 | |
| 010 | Y303361 | BASE ASSEMBLY | 1 | Series | 10 | |
| 011 | 213007 | SCREW, CABINET SIDES | 6 | Series | 10 | |
| 012 | NLA | CABINET (WHT) | 1 | Series | 10 | |
| 013 | Y310632 | SCREW, CABINET | 3 | Series | 10 | |
| 13 | Y313561 | SCREW, CABINET | 1 | Series | 10 | |
| 14 | Y310376 | CLIP, WIRE HARNESS | 1 | Series | 10 | |
| 15 | Y313561 | SCREW, TERMINAL COVER | 1 | Series | 10 | |

MDG12PDAAW - 05 - TUMBLER



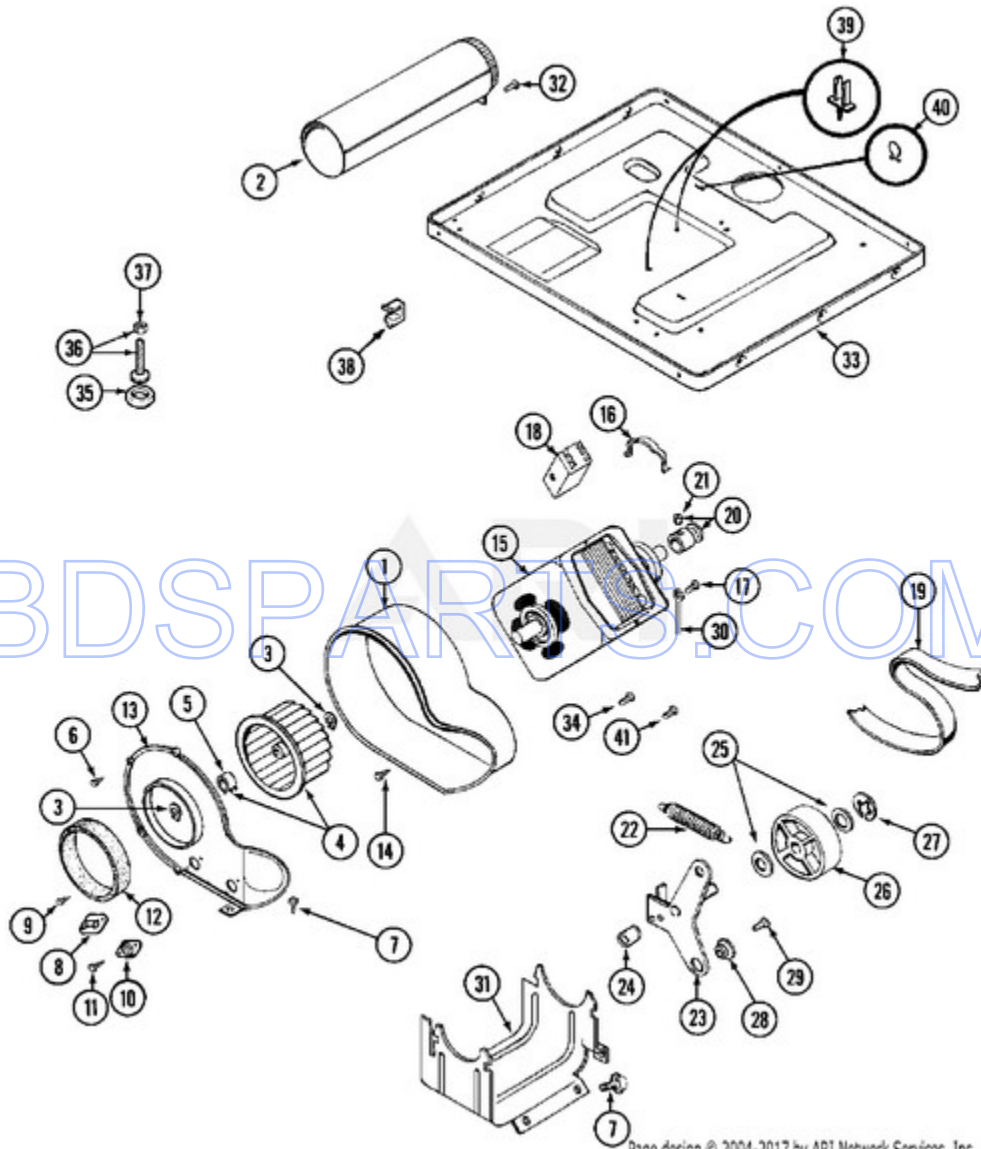
| Ref # | Part # | Description | Qty | Context | Note | MSRP |
|-------|----------|-----------------------------|-----|---------|-----------|------|
| 001 | 33001016 | OUTLET DUCT ASSEMBLY | 2 | | Series A0 | |
| 002 | 33001170 | FILTER, LINT | 2 | | Series A0 | |
| 003 | NLA | SCREW, TUMBLER SUPPORT | 8 | | Series A0 | |
| 004 | Y313561 | SCREW, TUMBLER FRONT & BACK | 4 | | Series A0 | |
| 005 | 33001179 | FRONT, TUMBLER (W/SEAL) | 2 | | Series A0 | |
| 006 | Y310376 | CLIP, CABLE | 2 | | Series A0 | |
| 007 | 210720 | RIVET | 8 | | Series A0 | |
| 008 | 306508 | TUMBLER BEARING KIT ----W | 4 | | Series A0 | |
| 009 | Y310632 | SCREW, TUMBLER FRONT | 6 | | Series A0 | |
| 010 | 314820 | SEAL, TUMBLER | 4 | | Series A0 | |
| 011 | 33001012 | BAFFLE (SHORT) | 2 | | Series A0 | |
| 012 | 314158 | WASHER, BAFFLE SCREW | 12 | | Series A0 | |
| 013 | 33001108 | DRYER TUMBLER, W/O BAFFLES | 2 | | Series A0 | |
| 014 | Y310759 | SCREW, TUMBLER BAFFLE | 12 | | Series A0 | |
| 015 | 33001178 | BACK, TUMBLER (W/SEAL) | 2 | | Series A0 | |
| 016 | NLA | COVER, THREAD | 8 | | Series A0 | |
| 017 | Y310632 | SCREW, TUMBLER BACK | 6 | | Series A0 | |
| 018 | 312538 | NUT, ROLLER SHAFT | 4 | | Series A0 | |
| 19 | Y313347 | WASHER, SPRING (ROLLER SFT) | 4 | | Series A0 | |
| 20 | Y312948 | SHAFT, TUMBLER ROLLER----C | 4 | | Series A0 | |
| 21 | Y303373 | ROLLER (W/BEARING) | 4 | | Series A0 | |
| 22 | 312535 | WASHER, ROLLER SHAFT | 4 | | Series A0 | |
| 23 | 410233 | RING, RETAINING | 4 | | Series A0 | |
| 024 | Y312959 | BELT, DRUM | 2 | | Series A0 | |
| 025 | 33001004 | BAFFLE, TALL | 4 | | Series A0 | |
| 026 | Y314110 | SCREW, OUTLET DUCT | 8 | | Series A0 | |
| 27 | 901220 | GROUND WIRE | 2 | | Series A0 | |
| 28 | 910343 | SCREW, GROUND WIRE | 2 | | Series A0 | |

MDG12PDAAW - 06 - GAS VALVE



| Ref # | Part # | Description | Qty | Context | Note | MSRP |
|-------|----------|-----------------------------|-----|---------|------|------|
| 001 | Y308378 | CONVERSION KIT (NAT TO LP) | 1 | Series | 10 | |
| 002 | Y308377 | CONVERSION KIT (LP TO NAT.) | 1 | Series | 10 | |
| 003 | 304971 | SCREW, IGNITER | 1 | Series | 10 | |
| 004 | 304970 | IGNITER ASSEMBLY | 1 | Series | 10 | |
| 005 | 33001247 | BURNER ASSEMBLY | 1 | Series | 10 | |
| 006 | 308345 | VALVE, GAS | 1 | Series | 10 | |
| 007 | 306106 | COIL, HOLDING & BOOSTER--W | 1 | Series | 10 | |
| 008 | 306105 | COIL, SECONDARY--W | 1 | Series | 10 | |
| 009 | Y313561 | SCREW, GAS VALVE | 1 | Series | 10 | |
| 010 | 314566 | BRACKET, GAS VALVE | 1 | Series | 10 | |
| 011 | Y313559 | SCREW, GAS VALVE ASSEMBLY | 1 | Series | 10 | |
| 012 | 314082 | SCREW, GAS VALVE | 1 | Series | 10 | |
| 012 | 314568 | SCREW, GAS VALVE | 1 | Series | 10 | |
| 013 | 33001842 | CONNECTOR, ANGLE | 1 | Series | 14 | |
| 13 | Y303349 | SHUT-OFF, GAS VALVE | 1 | Series | 10 | |
| 14 | Y303383 | PIPE & BRACKET ASSEMBLY | 1 | Series | 10 | |
| 015 | 211294 | SCREW, DUCT, CONE & SENSOR | 14 | Series | 10 | |
| 16 | Y308504 | INLET DUCT ASSEMBLY | 1 | Series | 10 | |
| 17 | 305169 | THERMOSTAT, HI-LIMIT GAS | 1 | Series | 10 | |
| 18 | Y303377 | SENSOR, RADIANT | 1 | Series | 10 | |
| 19 | Y308548 | COMBUSTION CONE ASSEMBLY | 1 | Series | 10 | |
| 20 | Y303841 | EXTENSION, CONE (W/SCREWS) | 1 | Series | 10 | |
| 21 | Y312890 | RETAINER, HEATER CHAMBER | 1 | Series | 10 | |
| 022 | 33001693 | CAP, GAS PIPE | 1 | Series | 10 | |

MDG12PDAAW - 07 - MOTOR DRIVE

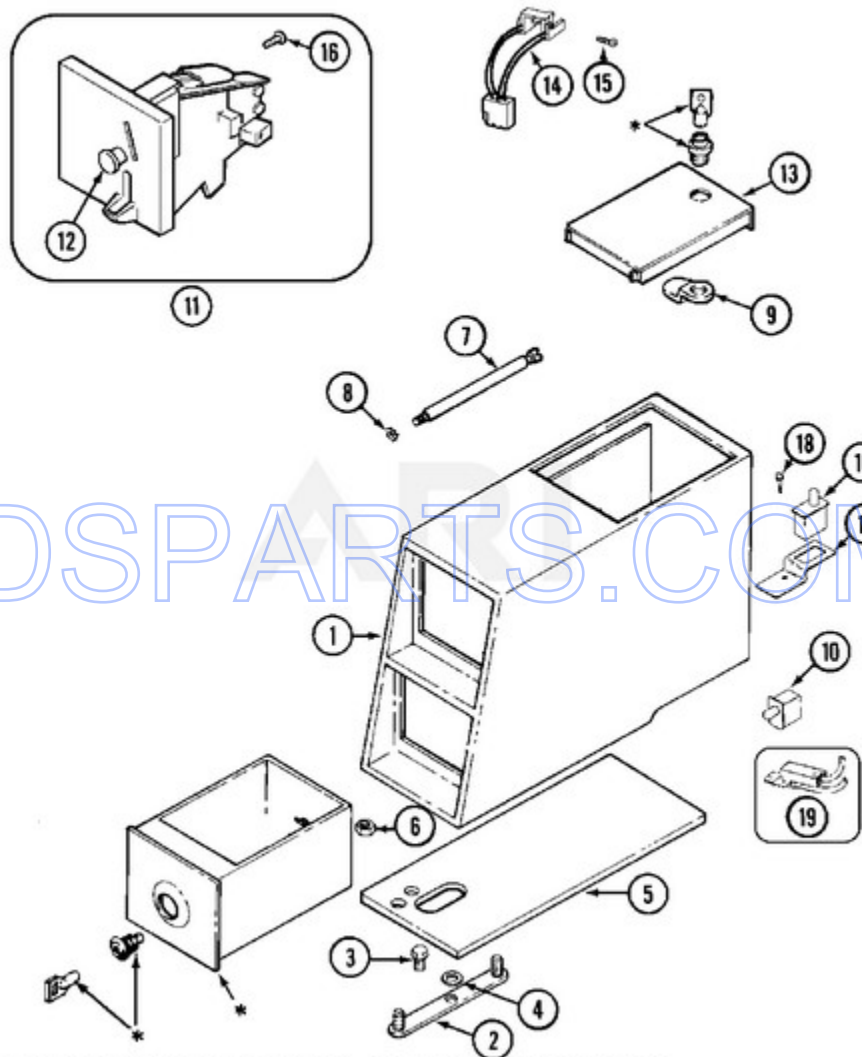


| Ref # | Part # | Description | Qty | Context | Note | MSRP |
|-------|---------|--|-----|---------|------|------|
| 001 | Y312893 | HOUSING, BLOWER | 1 | Series | 10 | |
| 002 | Y303442 | EXHAUST DUCT ASSEMBLY | 1 | Series | 10 | |
| 003 | 410233 | RING, RETAINING | 2 | Series | 10 | |
| 004 | Y303836 | BLOWER WHEEL ASSEMBLY | 1 | Series | 10 | |
| 005 | 312967 | CLAMP, BLOWER WHEEL | 1 | Series | 10 | |
| 006 | Y312961 | SCREW, HOUSING COVER | 6 | Series | 10 | |
| 007 | Y313561 | SCREW, HOUSING COVER | 3 | Series | 10 | |
| 008 | 303392 | THERMOSTAT, CYCLING | 1 | Series | 10 | |
| 008 | 306966 | THERMOSTAT, MULTI-TEMP | 1 | Series | 10 | |
| 009 | 211294 | SCREW, THERMOSTAT | 2 | Series | 10 | |
| 010 | 306604 | CUT-OFF, THERMAL | 1 | Series | 10 | |
| 011 | NLA | SCREW, THERMAL CUT-OFF | 2 | Series | 10 | |
| 12 | Y312901 | SEAL, HOUSING COVER | 1 | Series | 10 | |
| 13 | 314778 | COVER, BLOWER HOUSING | 1 | Series | 10 | |
| 14 | 314818 | SCREW, BLOWER HOUSING | 4 | Series | 10 | |
| 15 | Y303358 | MOTOR | 1 | Series | 10 | |
| 16 | Y015825 | CLIP, MOTOR | 2 | Series | 10 | |
| 17 | 910343 | SCREW, GROUND WIRE | 1 | Series | 10 | |
| 018 | Y303877 | SWITCH, MOTOR EXTERNAL START (No.303358-2, 303358-4,303358-7) | 1 | Series | 10 | |
| 18 | 306207 | (PROD. No. 303358-8 & 303358-9) | | | | |
| 18 | Y303879 | SWITCH, MOTOR EXTERNAL START (PROD. No. 303358 & 303358-6) | 1 | Series | 10 | |
| 018 | NLA | SWITCH, MOTOR EXTERNAL START | 1 | Series | 10 | |
| 19 | Y312959 | BELT, TUMBLER & MOTOR | 1 | Series | 10 | |
| 20 | Y305185 | PULLEY, MOTOR (W/SET SCREW) | 1 | Series | 10 | |
| 21 | Y053241 | SCREW, SET | 1 | Series | 10 | |
| 22 | Y303945 | IDLER SPRING ASSEMBLY | 1 | Series | 10 | |
| 23 | Y303363 | IDLER ARM & SHAFT ASSEMBLY | 1 | Series | 10 | |
| 24 | Y313582 | SPACER, IDLER BRACKET | 1 | Series | 10 | |
| 25 | Y312527 | WASHER, IDLER SHAFT (QTY-1) | 2 | Series | 10 | |
| 26 | Y303705 | PULLEY, IDLER | 1 | Series | 10 | |
| 027 | 312958 | RING, RETAINING | 1 | Series | 10 | |
| 28 | Y312894 | SLEEVE, IDLER ARM ----S | 1 | Series | 10 | |
| 29 | Y014874 | SCREW, IDLER ARM | 1 | Series | 10 | |
| 030 | 901220 | WIRE, GROUND | 1 | Series | 10 | |
| 031 | NLA | SUPPORT, MOTOR | 1 | Series | 10 | |
| 32 | Y310632 | SCREW, EXHAUST DUCT | 1 | Series | 10 | |
| 33 | Y305084 | BASE ASSEMBLY | 1 | Series | 10 | |
| 034 | 211294 | SCREW, GROUND WIRE | 1 | Series | 10 | |

| Ref # | Part # | Description | Qty | Context | Note | MSRP |
|-------|---------|----------------------|-----|---------|------|------|
| 35 | Y314137 | FOOT, RUBBER | 4 | Series | 10 | |
| 36 | Y305086 | ADJUSTABLE LEG & NUT | 4 | Series | 10 | |
| 37 | Y052740 | NUT, LEG | 4 | Series | 10 | |
| 38 | Y310376 | CLIP, CABLE | 1 | Series | 10 | |
| 39 | 315471 | RETAINER, WIRE | 1 | Series | 10 | |
| 40 | 410490 | SPRING, WIRE HARNESS | 2 | Series | 10 | |
| 041 | Y312961 | SCREW, SPACER | 1 | Series | 10 | |

BDSPARTS.COM

MDG12PDAAW - 08 - CONTROL CENTER



BDSPARTS.COM

* CONTACT YOUR COMMERCIAL LAUNDRY DISTRIBUTOR
Page design © 2004-2017 by ARI Technik Service, LLC

| Ref # | Part # | Description | Qty | Context | Note | MSRP |
|-------|----------|-----------------------------|-----|---------|------|------|
| 001 | 22002480 | VAULT, COIN (WHT)PD | 1 | Series | 10 | |
| 001 | 22002481 | VAULT, COIN (ALM) | - | Series | 10 | |
| 002 | 22001810 | STRAP, MOUNTING | 1 | Series | 10 | |
| 003 | 211294 | SCREW, MOUNTING STRAP | 1 | Series | 10 | |
| 004 | 910309 | WASHER, STRAP SCREW | 1 | Series | 10 | |
| 005 | 22001870 | GASKET, COIN VAULT (WHT) | 1 | Series | 10 | |
| 005 | 22001874 | (ALM) | - | Series | 10 | |
| 006 | Y052740 | NUT, CASE MOUNTING | 2 | Series | 10 | |
| 007 | 213035 | BOLT, LOCKING | 2 | Series | 10 | |
| 008 | 910181 | LOCKWASHER, LOCKING BOLT | 2 | Series | 10 | |
| 009 | NLA | CAM, LOCKING | 1 | Series | 10 | |
| 010 | 33001250 | SWITCH, SENSOR | 2 | Series | 10 | |
| 010 | 912012 | SCREW, SENSOR SWITCH | 2 | Series | 10 | |
| 011 | 22001875 | COIN DROP ASSY (CAN) | - | Series | 10 | |
| 011 | 22002144 | SINGLE FACEPLATE | 1 | Series | 10 | |
| 011 | 22001873 | DROP ASSY., COIN | 1 | Series | 10 | |
| 012 | 216200 | BUTTON, RETURN | 1 | Series | 10 | |
| 13 | 22001910 | DOOR, ACCESS (WHT) | 1 | Series | 10 | |
| 013 | 22001911 | (ALM) | - | Series | 10 | |
| 14 | 206799 | OPTIC SWITCH ASSY. (6 WIRE) | 1 | Series | 10 | |
| 15 | 314665 | SCREW, OPTIC SWITCH | 1 | Series | 10 | |
| 16 | 216068 | SCREW, COIN DROP | 3 | Series | 10 | |
| 17 | 22001404 | BRACKET, SWITCH | 1 | Series | 10 | |
| 18 | 212276 | SCREW, SWITCH BRACKET | 1 | Series | 10 | |
| 19 | 208045 | HARNESS, WIRE (SENSOR SW) | 1 | Series | 10 | |