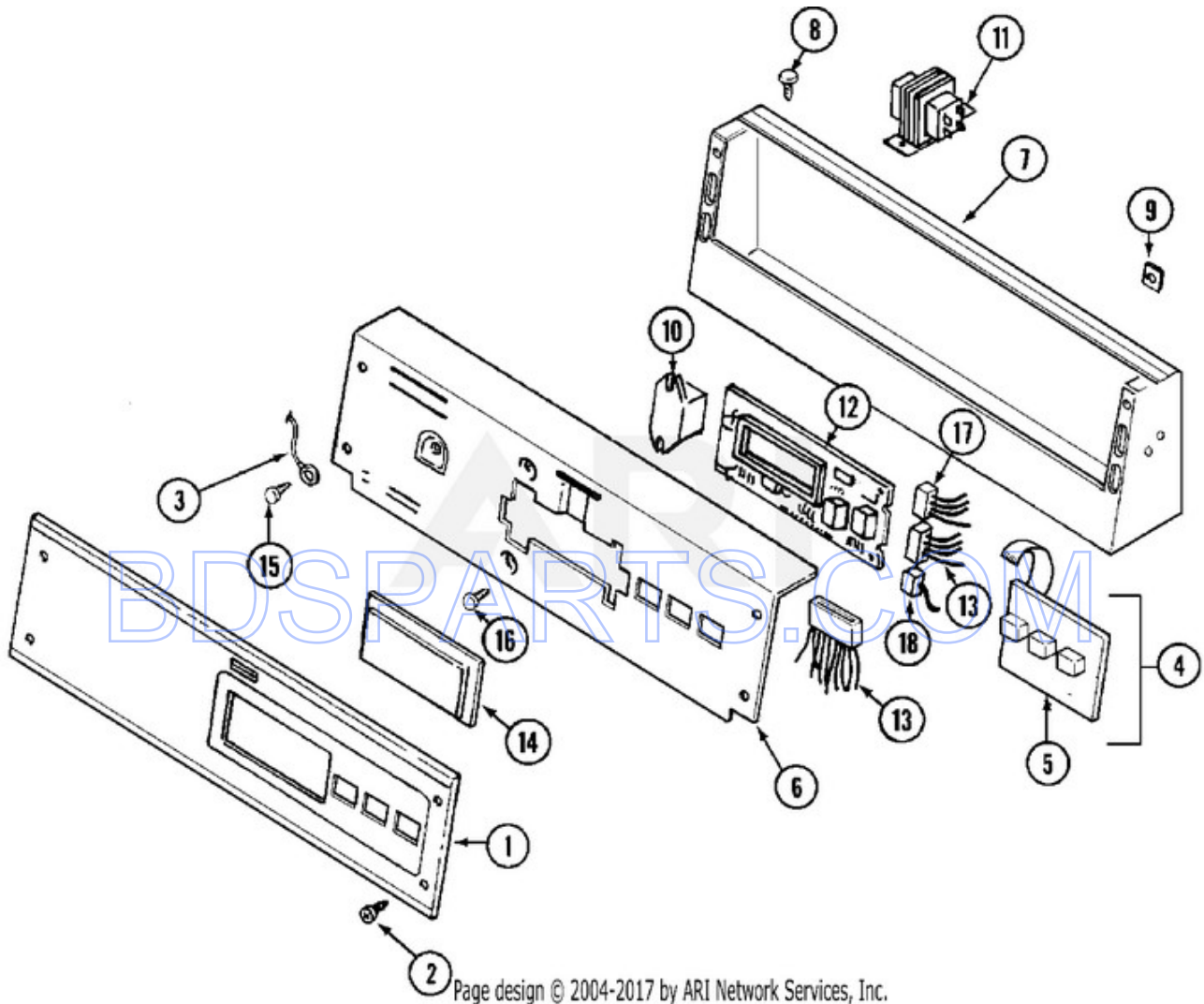
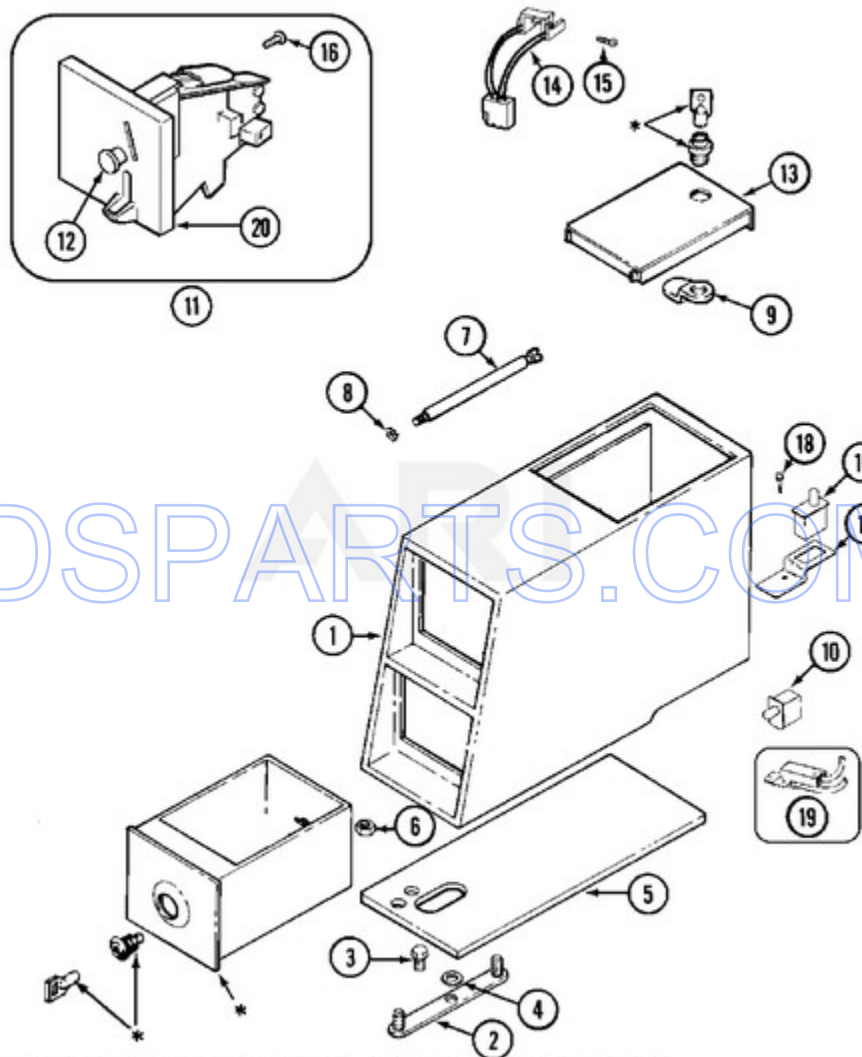


MDG12PDBAW - 01 - CONTROL PANEL



Ref #	Part #	Description	Qty	Context	Note	MSRP
001	33001737	PANEL, CONTROL	1	Series	10	
002	215506	SCREW, CONTROL PANEL	4	Series	10	
003	22001959	WIRE, GROUND	1	Series	10	
004	306694	CONTROL SWITCH ASSEMBLY	1	Series	10	
004	215527	SCREW, SWITCH	2	Series	10	
005	215517	PUSHBUTTON, CONTROL SWITCH	1	Series	10	
006	33001736	PLATE, BACK-UP (WHT)	1	Series	10	
006	NLA	(ALM)	-	Series	10	
007	NLA	CONSOLE (WHT)	1	Series	10	
008	212276	SCREW, CONSOLE	5	Series	10	
009	215003	CLIP, SCREW	2	Series	10	
010	Y313559	SCREW, RELAY	1	Series	10	
010	206824	RELAY, MOTOR (SPST)	1	Series	10	
011	22001960	TRANSFORMER	1	Series	10	
011	211294	SCREW, TRANSFORMER	1	Series	10	
12	912077	LOCKNUT	6	Series	10	
12	33001204	STANDOFF, CIRCUIT BOARD	4	Series	10	
12	33001738	CIRCUIT BOARD ASSY.	1	Series	10	
13	33001743	WIRE HARNESS, MAIN	1	Series	10	
13	33001879	WIRE HARNESS, MAIN	1	Series	16	
13	314531	CONNECTOR, EDGEBOARD	2	Series	10	
14	22001962	COVER, DISPLAY	1	Series	10	
15	211252	SCREW, GROUND WIRE	1	Series	10	
16	215526	SCREW, CONTROL BOARD	2	Series	10	
17	22001965	SWITCH ASSY., OPTIC	1	Series	10	
017	NLA	CONNECTOR, EDGEBOARD----NA	1	Series	10	
18	22001361	CONNECTOR, EDGEBOARD	1	Series	10	
018	22001966	HARNESS, SENSOR SWITCH	1	Series	10	

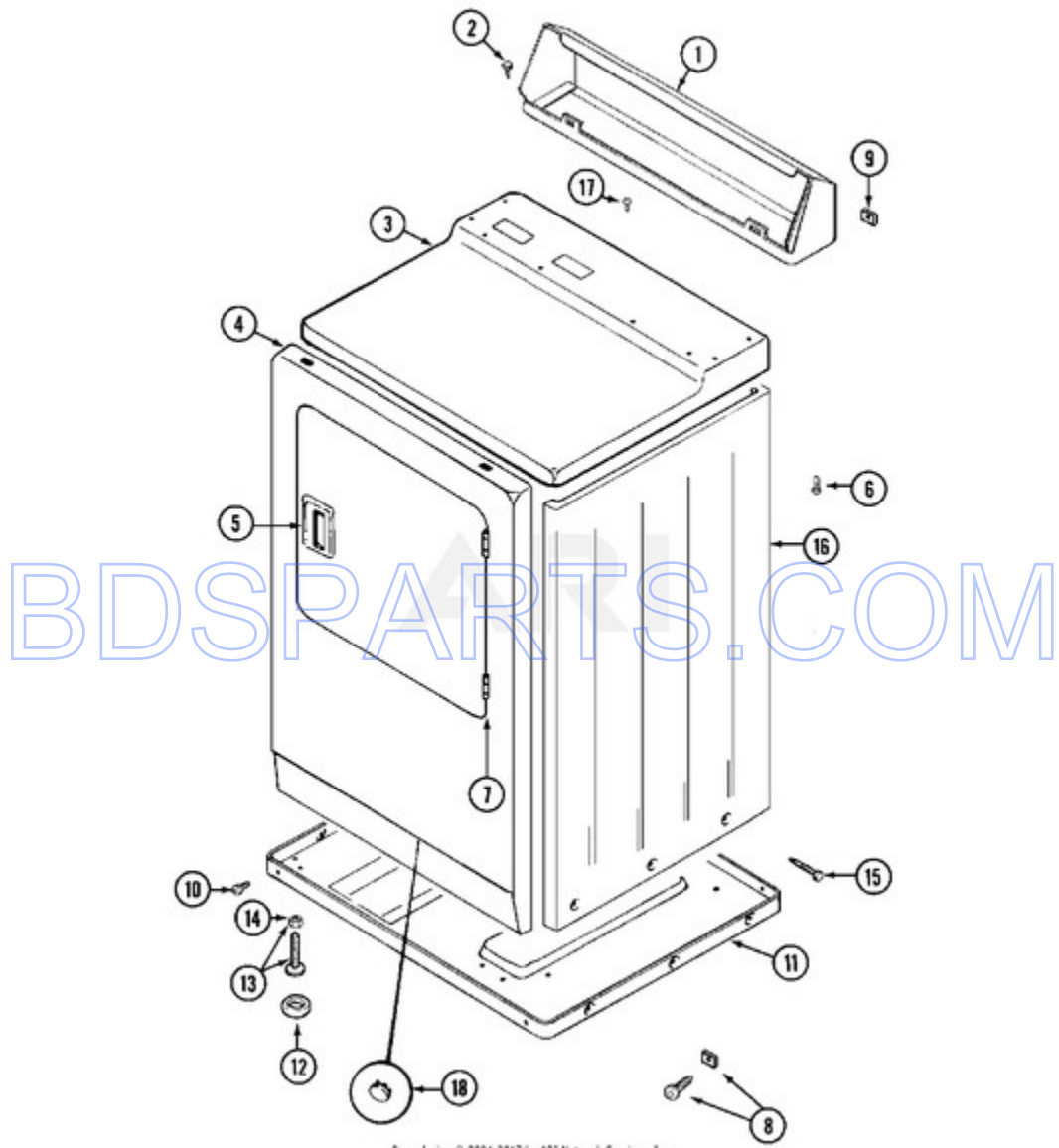
MDG12PDBAW - 02 - CONTROL CENTER



\* CONTACT YOUR COMMERCIAL LAUNDRY DISTRIBUTOR  
Page design © 2004-2017 by ARI Technical Services, LLC

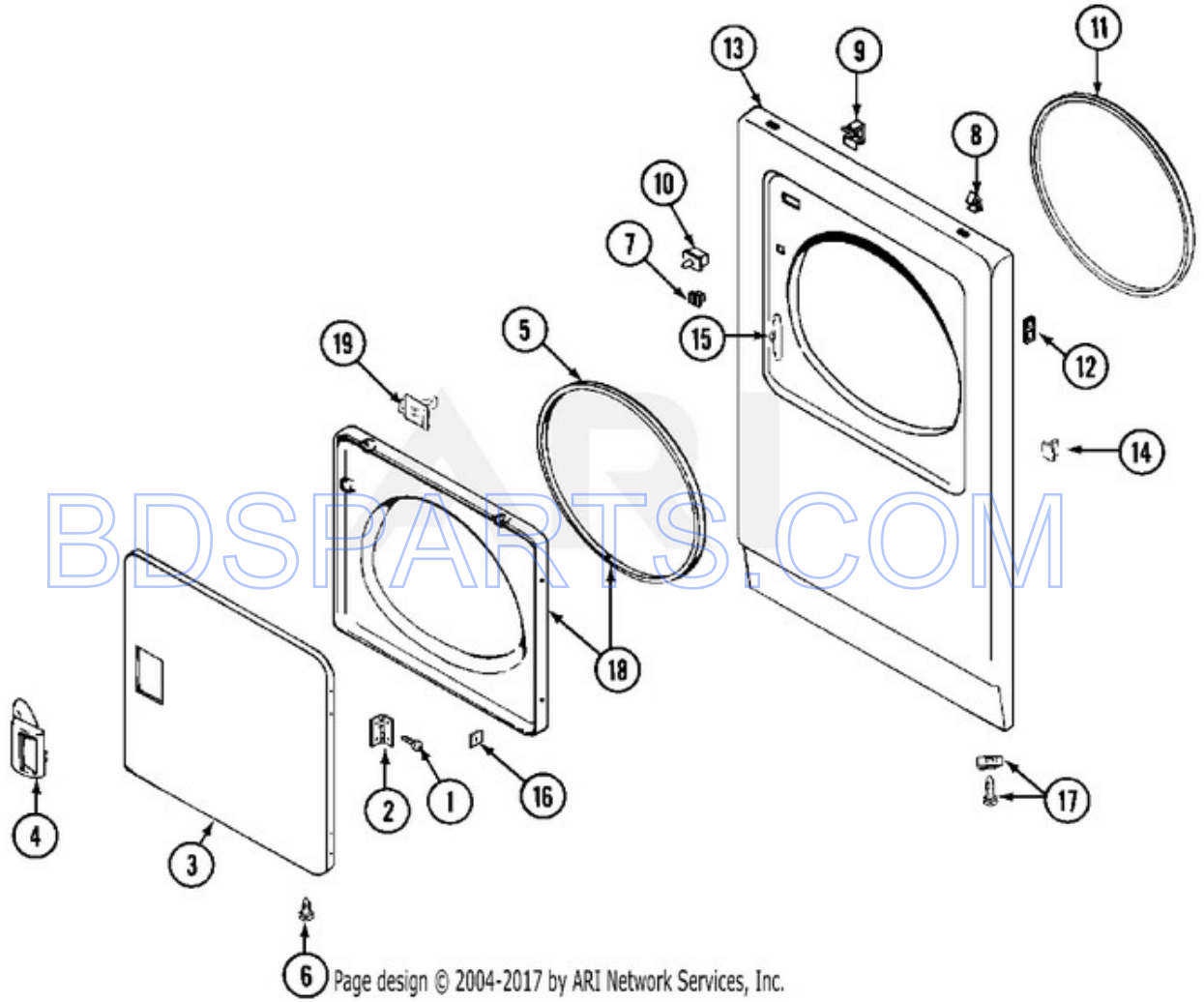
Ref #	Part #	Description	Qty	Context	Note	MSRP
001	22001871	VAULT, COIN (WHT)	1	Series	10	
001	22001872	(ALM)	-	Series	10	
002	22001810	STRAP, MOUNTING	1	Series	10	
003	211294	SCREW, MOUNTING STRAP	1	Series	10	
004	910309	WASHER, STRAP SCREW	1	Series	10	
005	22001870	GASKET, COIN VAULT (WHT)	1	Series	10	
005	22001874	(ALM)	-	Series	10	
006	Y052740	NUT, CASE MOUNTING	2	Series	10	
007	213035	BOLT, LOCKING	2	Series	10	
008	910181	LOCKWASHER, LOCKING BOLT	2	Series	10	
009	NLA	CAM, LOCKING	1	Series	10	
010	33001250	SWITCH, SENSOR	2	Series	10	
010	912012	SCREW, SENSOR SWITCH	2	Series	10	
011	22001873	DROP ASSY., COIN	1	Series	10	
011	22002144	SINGLE FACEPLATE	1	Series	10	
011	22001875	(CAN)	-	Series	10	
012	216200	BUTTON, RETURN	1	Series	10	
013	22001910	DOOR, ACCESS (WHT)	1	Series	10	
13	22001911	(ALM)	-	Series	10	
14	22001965	SWITCH ASSY., OPTIC	1	Series	10	
15	314665	SCREW, OPTIC SWITCH	1	Series	10	
16	216068	SCREW, COIN DROP	3	Series	10	
17	22001404	BRACKET, SWITCH	1	Series	10	
018	212276	SCREW, SWITCH BRACKET	1	Series	10	
19	22001966	HARNESS, SENSOR SWITCH	1	Series	10	
20	22002144	SINGLE FACEPLATE	1	Series	10	

MDG12PDBAW - 03 - CABINET-FRONT



Ref #	Part #	Description	Qty	Context	Note	MSRP
001	NLA	CONSOLE (WHT)	1	Series	10	
002	212276	SCREW, CONSOLE	4	Series	10	
003	33001703	COVER, TOP (WHT)	1	Series	10	
003	NLA	(ALM)	-	Series	10	
004	33001486	PANEL, FASTENER	4	Series	10	
004	NLA	PANEL, FRONT (WHT)----NA	1	Series	10	
005	33001241	HANDLE, DOOR (WHT)	1	Series	10	
005	33001254	(ALM)	-	Series	10	
006	214354	SCREW, TOP COVER	2	Series	10	
007	33001230	HINGE, DOOR	2	Series	10	
008	22001496	SCREW, FRONT PANEL	2	Series	10	
009	215075	FASTENER, CONSOLE	2	Series	10	
010	Y313561	SCREW, CABINET	2	Series	10	
010	Y310632	SCREW, CABINET	3	Series	10	
011	Y303361	BASE ASSEMBLY	1	Series	10	
12	Y314137	FOOT, RUBBER	4	Series	10	
13	Y305086	ADJUSTABLE LEG & NUT	4	Series	10	
14	Y052740	NUT, LEG	4	Series	10	
015	213007	SCREW, CABINET SIDES	6	Series	10	
016	NLA	CABINET (WHT)	1	Series	10	
17	210186	SCREW, GROUND	1	Series	10	
18	33001614	PLUG, FRONT PANEL (WHT)	1	Series	10	
018	33001615	(ALM)	-	Series	10	

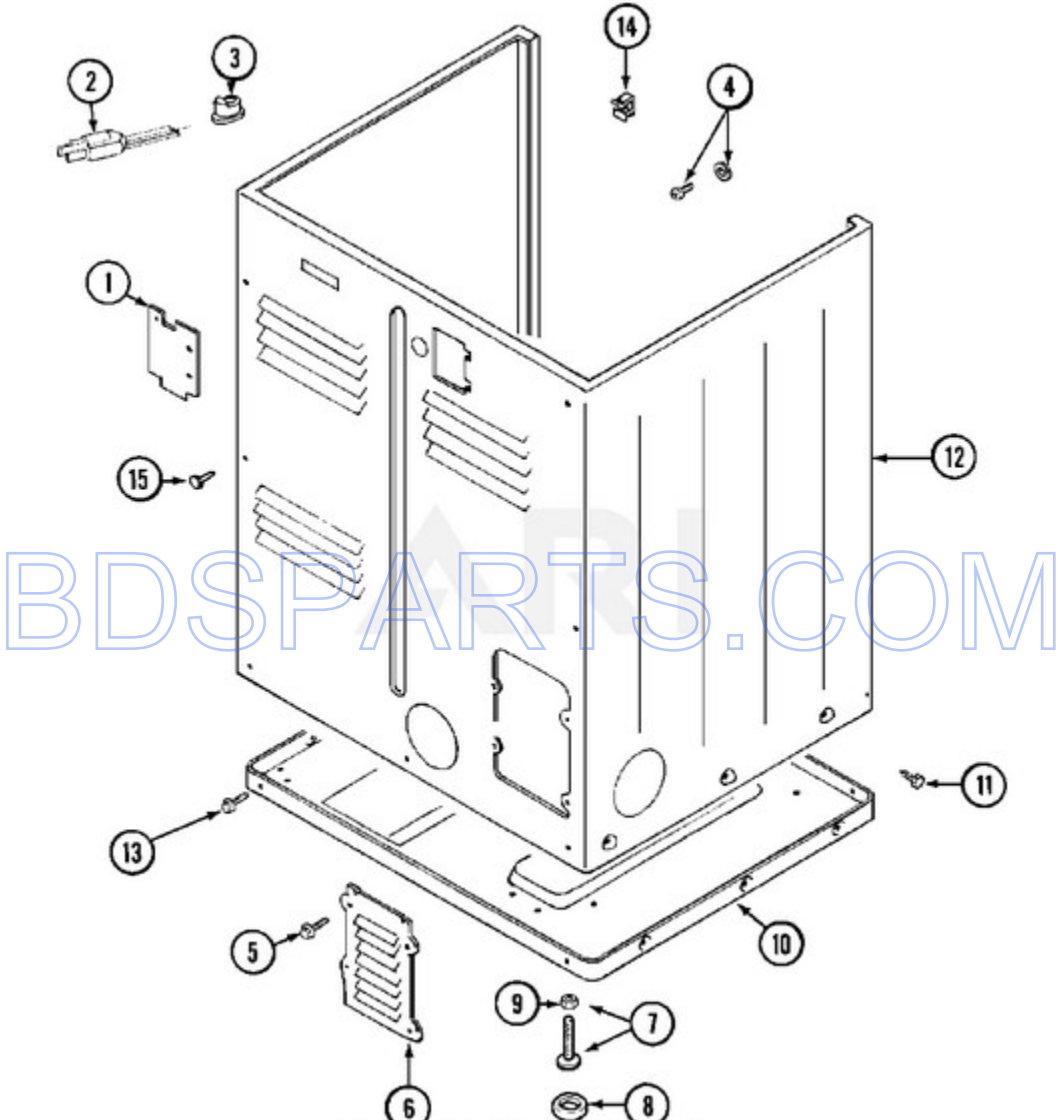
MDG12PDBAW - 04 - DOOR



Ref #	Part #	Description	Qty	Context	Note	MSRP
001	Y314062	SCREW,HINGE,DOOR,& PANEL	14	Series	10	
002	33001230	HINGE, DOOR	2	Series	10	
003	33001257	(ALM)	-	Series	10	
003	33001240	DOOR (WHT)	1	Series	10	
004	33001241	HANDLE, DOOR (WHT)	1	Series	10	
004	33001254	(ALM)	-	Series	10	
005	33001131	SEAL, DOOR	1	Series	10	
006	33001168	(ALM)	-	Series	10	
006	33001132	PLUG, DOOR (WHT)	2	Series	10	
007	Y304578	CATCH, DOOR (FEMALE)	2	Series	10	
008	22001650	FASTENER, SPRING	2	Series	10	
009	Y310376	CLIP, CABLE	2	Series	10	
010	33001509	SWITCH, DOOR	1	Series	10	
011	314937	SEAL, FRONT PANEL	1	Series	10	
012	NLA	SCREW, PLASTIC	4	Series	10	
12	NLA	SPEEDNUT, HINGE SCREW	4	Series	10	
013	33001486	PANEL, FASTENER	4	Series	10	
13	NLA	PANEL, FRONT (WHT)----NA	1	Series	10	
14	NLA	PLUG, DOOR CATCH	1	Series	10	
15	33001176	(ALM)	-	Series	10	
015	33001175	COVER, HINGE HOLE (WHT)	2	Series	10	
016	Y313910	FASTENER, INNER DOOR	9	Series	10	
17	22001496	SCREW, FRONT PANEL	2	Series	10	
18	33001243	DOOR, INNER (W/SEAL)	1	Series	10	
019	314944	BRACKET, STRIKE	1	Series	10	
19	33001305	STRIKE, DOOR (W/BRACKET)	1	Series	10	

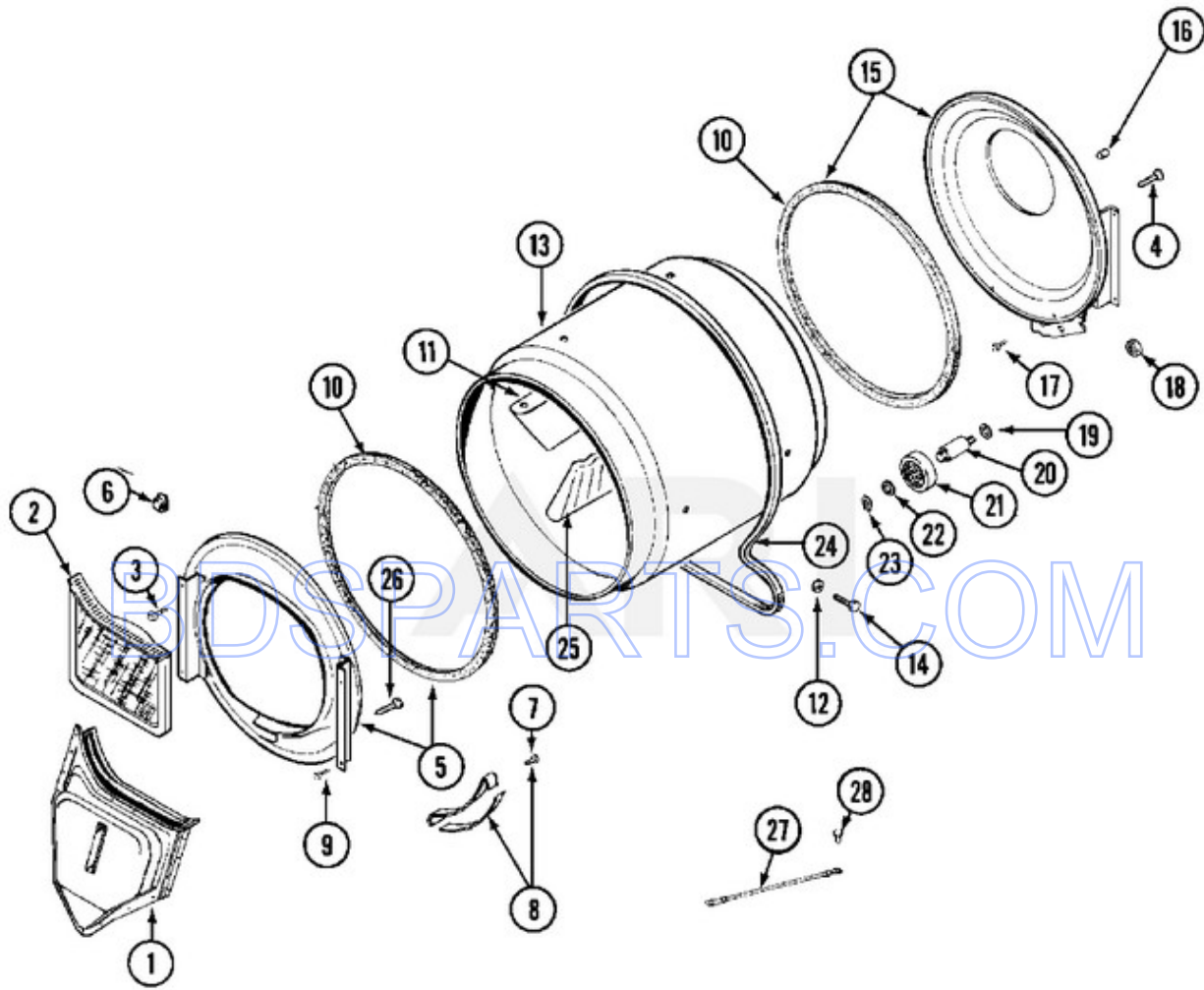


MDG12PDBAW - 05 - CABINET-REAR



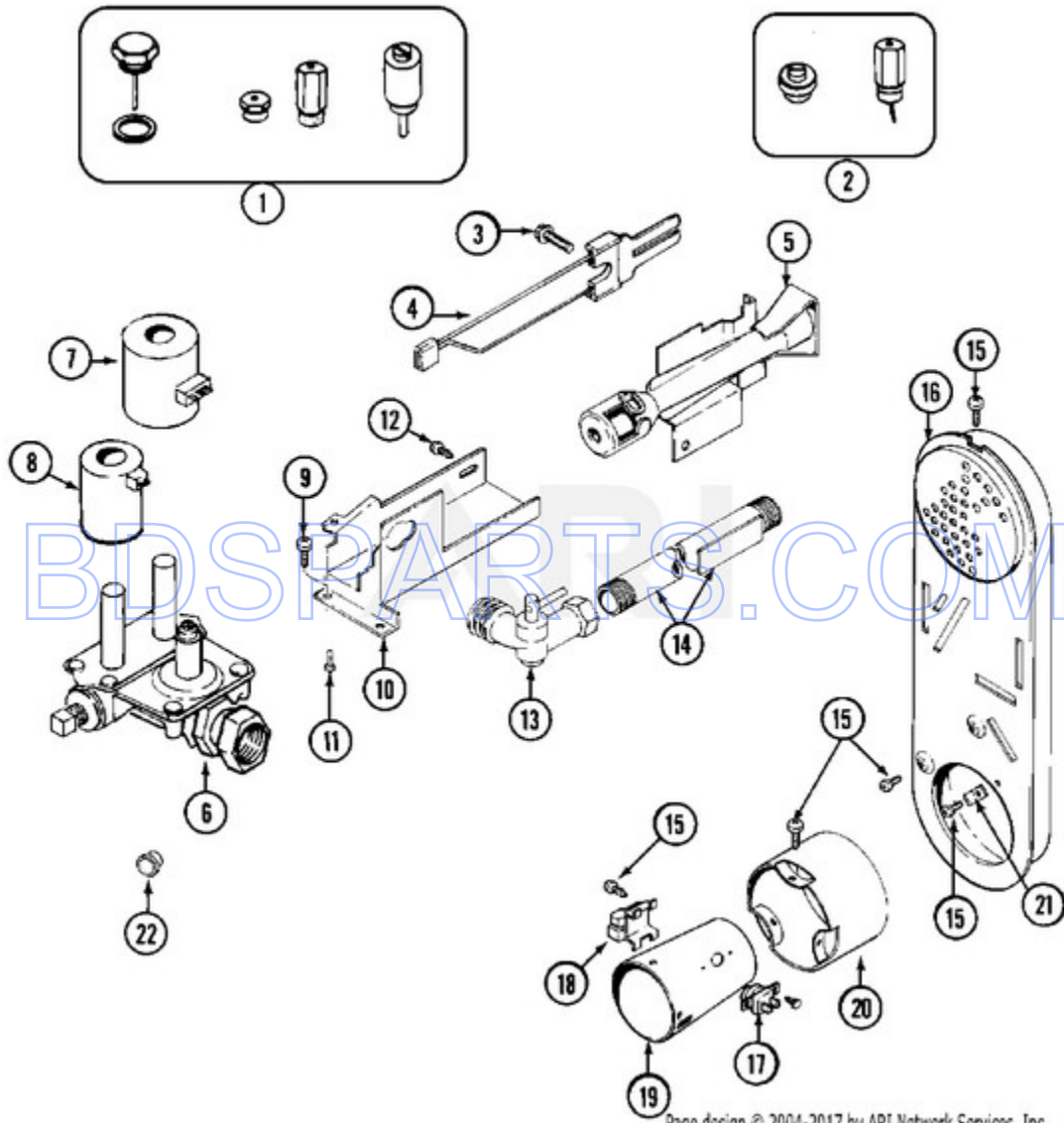
Ref #	Part #	Description	Qty	Context	Note	MSRP
001	Y312905	COVER, TERMINAL	1	Series	10	
002	33001284	CORD, POWER	1	Series	10	
003	211881	GROMMET, CORD	1	Series	10	
004	NLA	SCREW & WASHER ASSEMBLY	1	Series	10	
005	216423	SCREW, ACCESS COVER	4	Series	10	
006	Y312951	COVER, ACCESS	1	Series	10	
007	204807	WIRE, GROUND	1	Series	10	
007	Y305086	ADJUSTABLE LEG & NUT	4	Series	10	
008	Y314137	FOOT, RUBBER	4	Series	10	
009	Y052740	NUT, LEG	4	Series	10	
010	Y303361	BASE ASSEMBLY	1	Series	10	
011	213007	SCREW, CABINET SIDES	6	Series	10	
012	NLA	CABINET (WHT)	1	Series	10	
013	Y310632	SCREW, CABINET	3	Series	10	
13	Y313561	SCREW, CABINET	1	Series	10	
14	Y310376	CLIP, WIRE HARNESS	1	Series	10	
15	Y313561	SCREW, TERMINAL COVER	1	Series	10	

MDG12PDBAW - 06 - TUMBLER



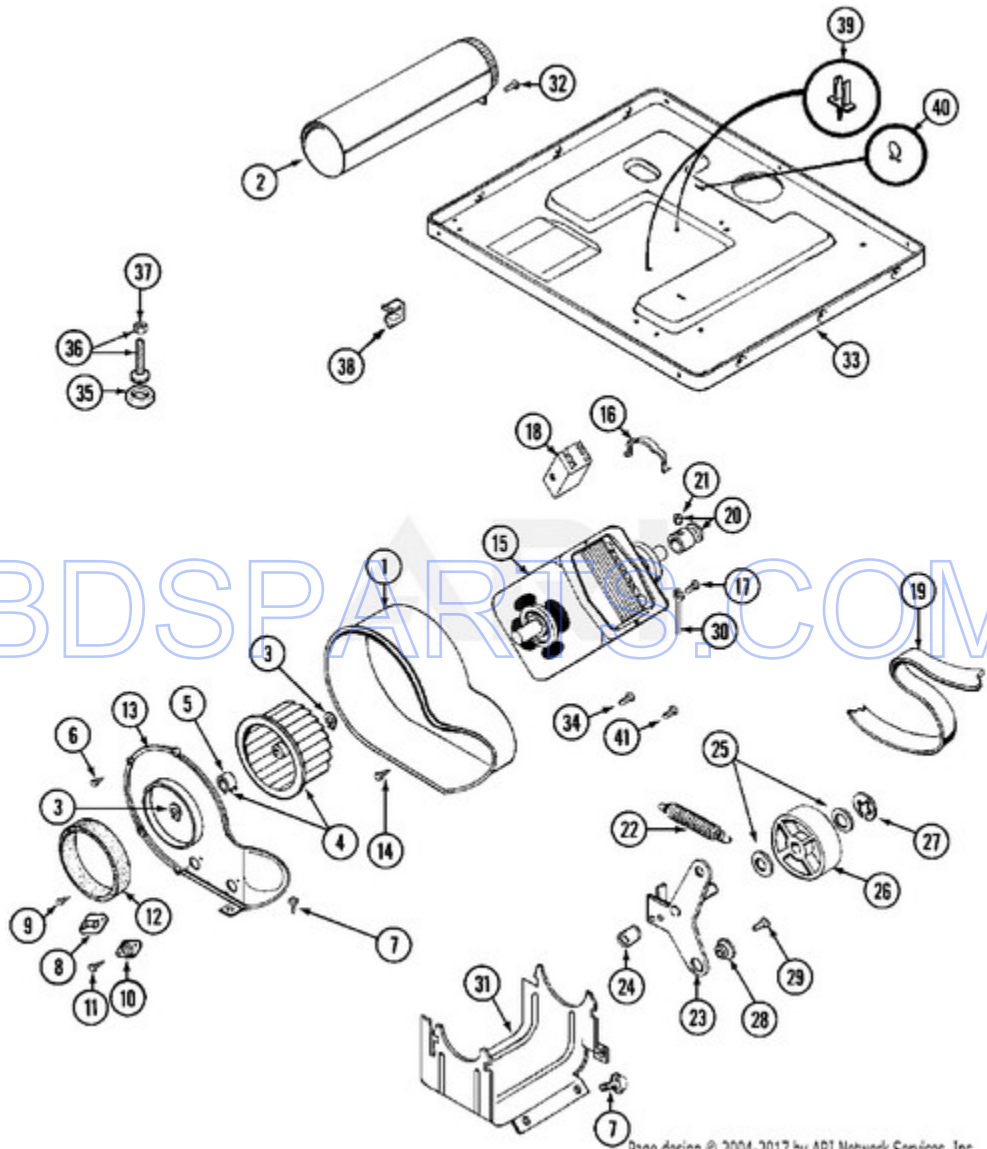
Ref #	Part #	Description	Qty	Context Note	MSRP
001	33001016	OUTLET DUCT ASSEMBLY	2	Series A0	
002	33001170	FILTER, LINT	2	Series A0	
003	NLA	SCREW, TUMBLER SUPPORT	8	Series A0	
004	Y313561	SCREW, TUMBLER FRONT & BACK	4	Series A0	
005	33001179	FRONT, TUMBLER (W/SEAL)	2	Series A0	
006	Y310376	CLIP, CABLE	2	Series A0	
007	210720	RIVET	8	Series A0	
008	306508	TUMBLER BEARING KIT ----W	4	Series A0	
009	Y310632	SCREW, TUMBLER FRONT	6	Series A0	
010	314820	SEAL, TUMBLER	4	Series A0	
011	33001012	BAFFLE (SHORT)	2	Series A0	
012	314158	WASHER, BAFFLE SCREW	12	Series A0	
013	33001108	DRYER TUMBLER, W/O BAFFLES	2	Series A0	
014	Y310759	SCREW, TUMBLER BAFFLE	12	Series A0	
015	33001178	BACK, TUMBLER (W/SEAL)	2	Series A0	
016	NLA	COVER, THREAD	8	Series A0	
017	Y310632	SCREW, TUMBLER BACK	6	Series A0	
018	312538	NUT, ROLLER SHAFT	4	Series A0	
19	Y313347	WASHER, SPRING (ROLLER SFT)	4	Series A0	
20	Y312948	SHAFT, TUMBLER ROLLER----C	4	Series A0	
21	Y303373	ROLLER (W/BEARING)	4	Series A0	
22	312535	WASHER, ROLLER SHAFT	4	Series A0	
23	410233	RING, RETAINING	4	Series A0	
024	Y312959	BELT, DRUM	2	Series A0	
025	33001004	BAFFLE, TALL	4	Series A0	
026	Y314110	SCREW, OUTLET DUCT	8	Series A0	
27	901220	GROUND WIRE	2	Series A0	
28	910343	SCREW, GROUND WIRE	2	Series A0	

MDG12PDBAW - 07 - GAS VALVE



Ref #	Part #	Description	Qty	Context	Note	MSRP
001	Y308378	CONVERSION KIT (NAT TO LP)	1	Series	10	
002	Y308377	CONVERSION KIT (LP TO NAT.)	1	Series	10	
003	304971	SCREW, IGNITER	1	Series	10	
004	304970	IGNITER ASSEMBLY	1	Series	10	
005	33001247	BURNER ASSEMBLY	1	Series	10	
006	308345	VALVE, GAS	1	Series	10	
007	306106	COIL, HOLDING & BOOSTER--W	1	Series	10	
008	306105	COIL, SECONDARY--W	1	Series	10	
009	Y313561	SCREW, GAS VALVE	1	Series	10	
010	314566	BRACKET, GAS VALVE	1	Series	10	
011	Y313559	SCREW, GAS VALVE ASSEMBLY	1	Series	10	
012	314082	SCREW, GAS VALVE	1	Series	10	
012	314568	SCREW, GAS VALVE	1	Series	10	
013	33001842	CONNECTOR, ANGLE	1	Series	14	
13	Y303349	SHUT-OFF, GAS VALVE	1	Series	10	
14	Y303383	PIPE & BRACKET ASSEMBLY	1	Series	10	
015	211294	SCREW, DUCT, CONE & SENSOR	14	Series	10	
16	Y308504	INLET DUCT ASSEMBLY	1	Series	10	
017	305169	THERMOSTAT, HI-LIMIT GAS	1	Series	10	
18	Y303377	SENSOR, RADIANT	1	Series	10	
19	Y308548	COMBUSTION CONE ASSEMBLY	1	Series	10	
20	Y303841	EXTENSION, CONE (W/SCREWS)	1	Series	10	
21	Y312890	RETAINER, HEATER CHAMBER	1	Series	10	
022	33001693	CAP, GAS PIPE	1	Series	10	

MDG12PDBAW - 08 - MOTOR DRIVE



Ref #	Part #	Description	Qty	Context	Note	MSRP
001	Y312893	HOUSING, BLOWER	1	Series	10	
002	Y303442	EXHAUST DUCT ASSEMBLY	1	Series	10	
003	410233	RING, RETAINING	2	Series	10	
004	Y303836	BLOWER WHEEL ASSEMBLY	1	Series	10	
005	312967	CLAMP, BLOWER WHEEL	1	Series	10	
006	Y312961	SCREW, HOUSING COVER	6	Series	10	
007	Y313561	SCREW, HOUSING COVER	3	Series	10	
008	303392	THERMOSTAT, CYCLING	1	Series	10	
008	306966	THERMOSTAT, MULTI-TEMP	1	Series	10	
009	211294	SCREW, THERMOSTAT	2	Series	10	
010	306604	CUT-OFF, THERMAL	1	Series	10	
011	NLA	SCREW, THERMAL CUT-OFF	2	Series	10	
012	Y312901	SEAL, HOUSING COVER	1	Series	10	
13	314778	COVER, BLOWER HOUSING	1	Series	10	
14	314818	SCREW, BLOWER HOUSING	4	Series	10	
15	Y303358	MOTOR	1	Series	10	
16	Y015825	CLIP, MOTOR	2	Series	10	
17	910343	SCREW, GROUND WIRE	1	Series	10	
018	Y303877	SWITCH, MOTOR EXTERNAL START (No.303358-2, 303358-4,303358-7)	1	Series	10	
18	306207	(PROD. No. 303358-8 & 303358-9)				
18	Y303879	SWITCH, MOTOR EXTERNAL START (PROD. No. 303358 & 303358-6)	1	Series	10	
018	NLA	SWITCH, MOTOR EXTERNAL START	1	Series	10	
19	Y312959	BELT, TUMBLER & MOTOR	1	Series	10	
20	Y305185	PULLEY, MOTOR (W/SET SCREW)	1	Series	10	
21	Y053241	SCREW, SET	1	Series	10	
22	Y303945	IDLER SPRING ASSEMBLY	1	Series	10	
23	Y303363	IDLER ARM & SHAFT ASSEMBLY	1	Series	10	
24	Y313582	SPACER, IDLER BRACKET	1	Series	10	
25	Y312527	WASHER, IDLER SHAFT (QTY-1)	2	Series	10	
26	Y303705	PULLEY, IDLER	1	Series	10	
027	312958	RING, RETAINING	1	Series	10	
28	Y312894	SLEEVE, IDLER ARM ----S	1	Series	10	
29	Y014874	SCREW, IDLER ARM	1	Series	10	
030	901220	WIRE, GROUND	1	Series	10	
031	NLA	SUPPORT, MOTOR	1	Series	10	
32	Y310632	SCREW, EXHAUST DUCT	1	Series	10	
33	Y305084	BASE ASSEMBLY	1	Series	10	
034	211294	SCREW, GROUND WIRE	1	Series	10	



Ref #	Part #	Description	Qty	Context	Note	MSRP
35	Y314137	FOOT, RUBBER	4	Series	10	
36	Y305086	ADJUSTABLE LEG & NUT	4	Series	10	
37	Y052740	NUT, LEG	4	Series	10	
38	Y310376	CLIP, CABLE	1	Series	10	
39	315471	RETAINER, WIRE	1	Series	10	
40	410490	SPRING, WIRE HARNESS	2	Series	10	
041	Y312961	SCREW, SPACER	1	Series	10	

BDSPARTS.COM