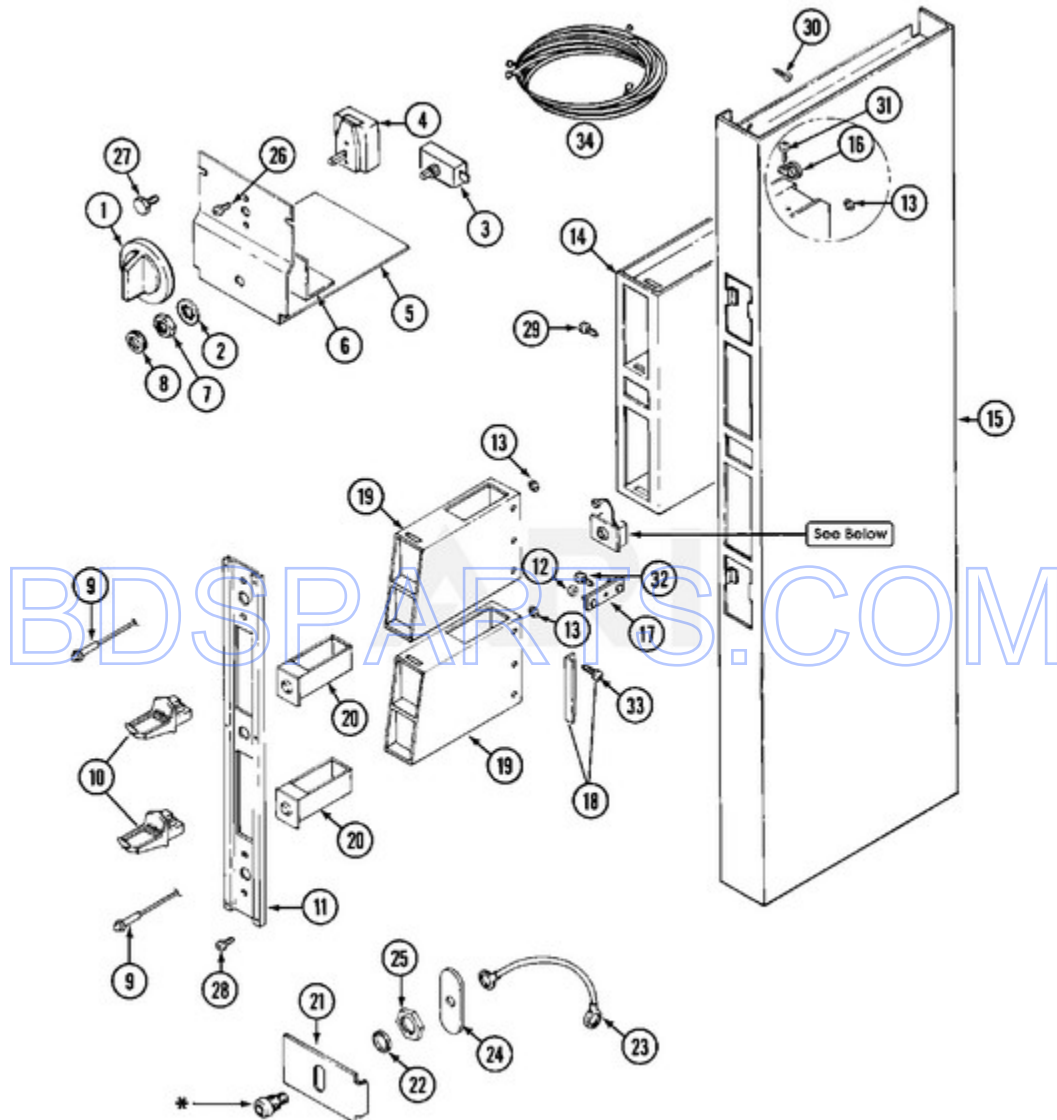


MDG13CSAAW - 01 - CONTROL CENTER SHROUD



\* Contact your Commercial Distributor For Security Items.

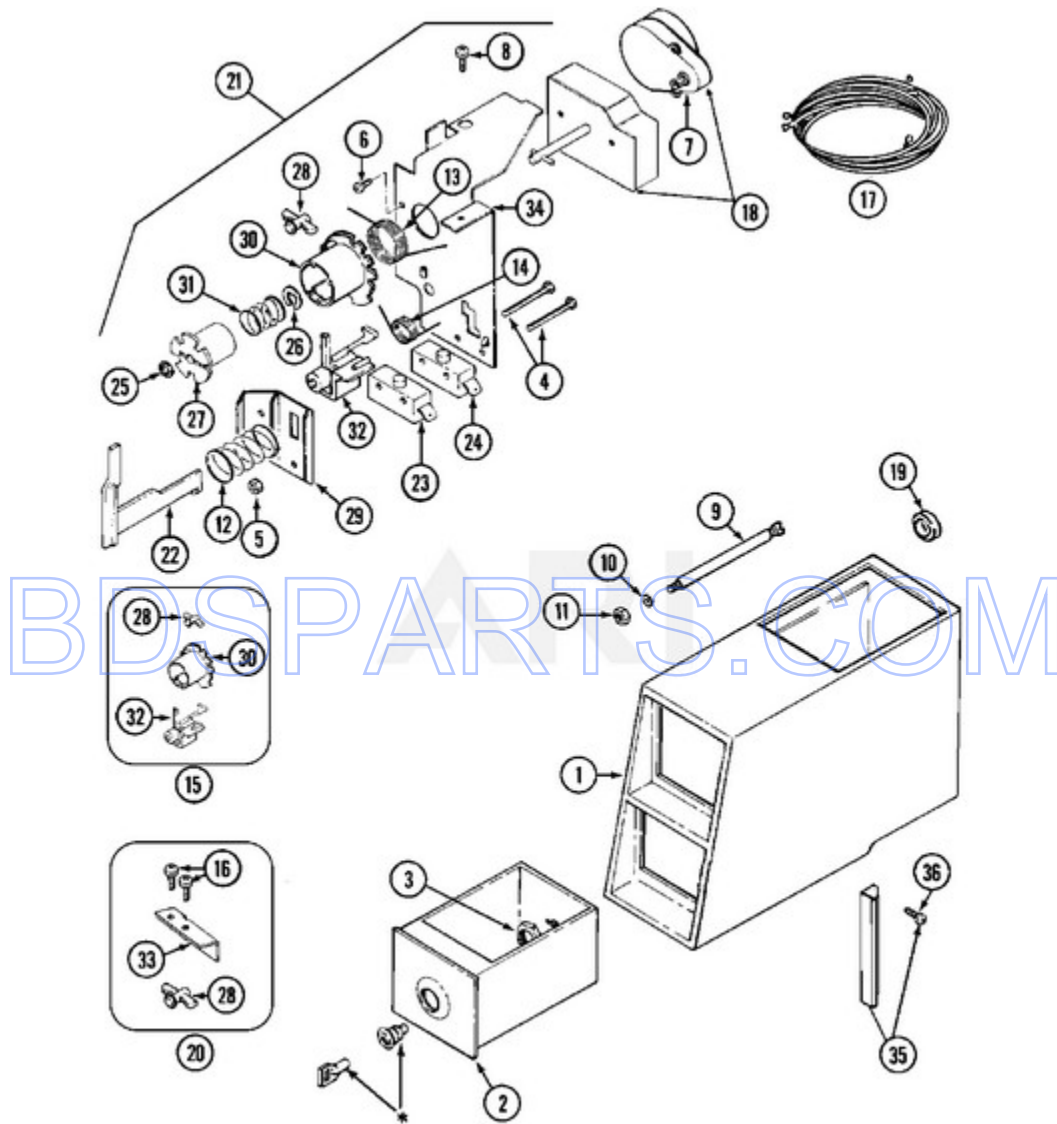
Page Design © 2004-2017 by AKA Network Services, Inc.

Ref #	Part #	Description	Qty	Context	Note	MSRP
001	205663	KNOB, SELECTOR SWITCH	2	Series A0		
002	312751	LOCKWASHER, START SWITCH	2	Series A0		
003	306940	SWITCH, PUSH-TO-START	2	Series A0		
004	307253	SWITCH, CYCLE SELECTOR	2	Series A0		
005	Y314261	BRACKET, SWITCH & RELAY	2	Series A0		
006	NLA	INSULATOR, SWITCH	2	Series A0		
007	Y312706	NUT, SWITCH	2	Series A0		
008	Y312702	KNURLED NUT, START SWITCH	2	Series A0		
009	303963	LIGHT, INDICATOR	2	Series A0		
010	NLA	MAYTAG COIN SLIDE (ACCY)	2	Series A0		
011	315037	PANEL, VAULT	1	Series A0		
12	Y052740	NUT, CONTROL CENTER	2	Series A0		
13	Y313671	GROMMET, WIRE HARNESS	3	Series A0		
14	305534	VAULT ASSEMBLY	1	Series A0		
14	Y313559	SCREW, VAULT	1	Series A0		
14	211294	SCREW, VAULT	3	Series A0		
015	NLA	SCREW, CONTROL ASSEMBLY	6	Series A0		
15	211294	SCREW, SHROUD COVER	4	Series A0		
15	NLA	SHROUD, CONTROL (WHT)	1	Series A0		
16	910768	STRAP, CABLE	1	Series A0		
17	NLA	STRAP, MOUNTING	1	Series A0		
18	NLA	STOP, COIN METER	4	Series A0		
19	Y307081	CASE, COIN METER (WHT)	2	Series A0		
19	NLA	(ALM)	-	Series A0		
20	205423L	(ALM)	-	Series A0		
20	205423	BOX, COIN (WHT)	2	Series A0		
21	313428	PLATE, LATCH	1	Series A0		
022	NLA	WASHER, LATCH	1	Series A0		
023	211168	SCREW, GROUND WIRE	1	Series A0		
23	Y303981	GROUND WIRE, LATCH	1	Series A0		
24	Y313427	LATCH, COVER PLATE	1	Series A0		
025	212328	NUT, LOCK ASSEMBLY	1	Series A0		
026	Y313588	SCREW, SELECTOR SWITCH	4	Series A0		
027	212276	SCREW, SWITCH & RELAY BRKT.	4	Series A0		
28	Y313424	SCREW, VAULT PANEL	6	Series A0		
29	Y313559	SCREW, VAULT SHROUD	1	Series A0		
29	211294	SCREW, VAULT SHROUD	3	Series A0		
30	213648	SCREW, SHROUD	2	Series A0		
31	211168	SCREW, CABLE STRAP	1	Series A0		

Ref #	Part #	Description	Qty	Context	Note	MSRP
32	212276	SCREW, MOUNTING STRAP	2	Series A0		
033	Y014872	SCREW, COIN METER STOP -	12	Series A0		
34	33001519	(UPR)	1	Series 16		
034	NLA	WIRE HARNESS, MAIN (LWR)	1	Series A0		

BDSPARTS.COM

MDG13CSAAW - 02 - CONTROL CENTER



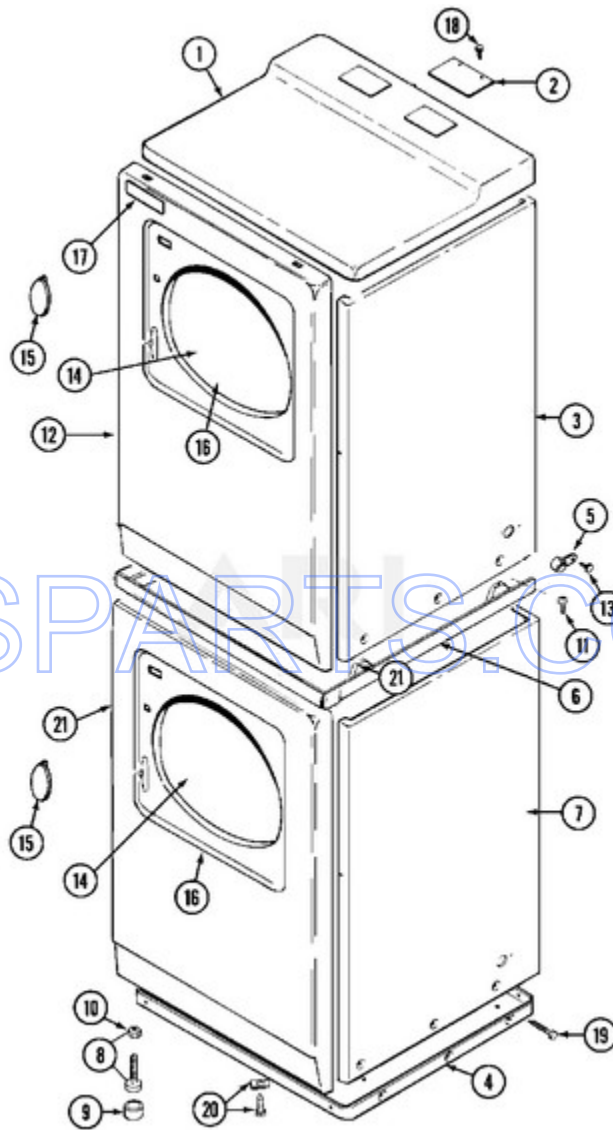
\* CONTACT YOUR COMMERCIAL LAUNDRY DISTRIBUTOR  
Page design © 2004-2017 by ARI Network Services, Inc.

Ref #	Part #	Description	Qty	Context	Note	MSRP
001	Y307081	CASE, COIN METER (WHT)	2	Series	10	
001	NLA	(ALM)	-	Series	10	
002	205423L	(ALM)	-	Series	10	
002	205423	BOX, COIN (WHT)	2	Series	10	
003	212328	LOCK NUT ASSEMBLY	2	Series	10	
004	315277	SCREW, BY-PASS SWITCHES	4	Series	10	
005	Y052634	NUT, BY-PASS SWITCHES	4	Series	10	
006	910708	SCREW, TIMER	4	Series	10	
007	305870	MOTOR, TIMER	2	Series	10	
007	306527	MOTOR, TIMER (240-50)	-	Series	10	
008	211168	SCREW, TIMER BRACKET	2	Series	10	
009	215559	BOLT, LOCKING	2	Series	10	
010	910387	LOCKWASHER, LOCKING BOLT	2	Series	10	
011	Y052721	NUT, LOCKING BOLT	2	Series	10	
012	NLA	SPRING, HELICAL	2	Series	10	
13	314331	SPRING, TORSION RETURN	2	Series	10	
14	314332	SPRING, ACTUATOR	2	Series	10	
15	306104	ACTUATOR KIT	2	Series	10	
16	212707	SCREW, SLIDE BRACKET	4	Series	10	
17	305800	WIRE HARNESS, TIMER	2	Series	10	
18	305813	TIMER	-	Series	10	
018	305796	TIMER	2	Series	10	
018	305812	TIMER 240-50	-	Series	10	
19	Y313671	GROMMET, CASE OPENING	2	Series	10	
20	Y308109	ACTUATOR KIT	2	Series	10	
021	305797	TORSION TIMER ASSEMBLY	2	Series	10	
021	NLA	TIMER TORSION ASSEMBLY	-	Series	10	
21	305831	TIMER TORSION ASSEMBLY	-	Series	10	
22	314337	SLIDER	2	Series	10	
23	305798	SWITCH, BY-PASS (MOTOR)	2	Series	10	
024	Y305799	SWITCH, BY-PASS (HEATER)	2	Series	10	
025	211790	RETAINING, SPRING	2	Series	10	
026	Y312270	CLIP, SPRING RETAINER	2	Series	10	
27	314330	DRIVER, INDEX WHEEL	2	Series	10	
28	314547	STOP, ADJUSTABLE RETURN	4	Series	10	
28	314335	PEG, TIME ADJUSTMENT	2	Series	10	
29	314339	BRACKET, SWITCH & SLIDER	2	Series	10	
30	314546	WHEEL, INDEX	2	Series	10	
31	211065	SPRING, INDEX WHEEL	2	Series	10	

Ref #	Part #	Description	Qty	Context	Note	MSRP
32	314548	ACTUATOR, WHEEL	2	Series	10	
33	314334	BRACKET, COIN SLIDE	2	Series	10	
34	314333	BRACKET, TIMER	2	Series	10	
035	NLA	STOP, COIN METER	4	Series	10	
036	Y014872	SCREW, METER STOP	12	Series	10	

BDSPARTS.COM

MDG13CSAAW - 03 - FRONT VIEW



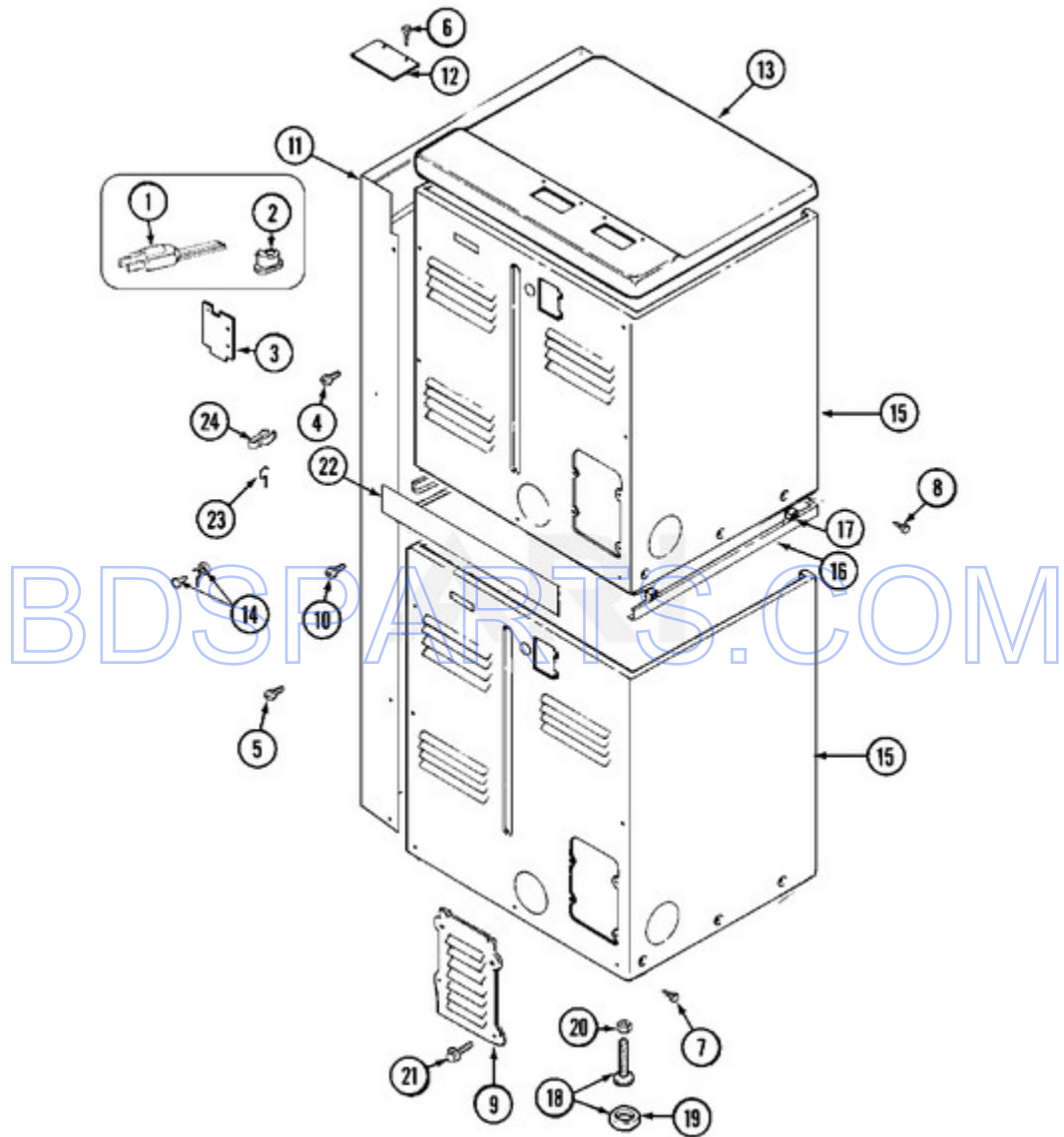
Ref #	Part #	Description	Qty	Context	Note	MSRP
001	33001165	TOP COVER ASSEMBLY (WHT)	1	Series A0		
001	NLA	(ALM)	1	Series A0		
002	NLA	PLATE, COVER	2	Series A0		
003	NLA	CABINET (UPR-ALM)	2	Series A0		
004	306530	BASE ASSEMBLY	2	Series A0		
005	910768	CABLE STOP	2	Series A0		
006	33001302	(WHT)	1	Series A0		
006	NLA	SPACER ASSEMBLY (ALM)	1	Series A0		
006	Y310632	SCREW, SPACER ASSEMBLY	5	Series A0		
006	911050	SCREW, SPACER ASSEMBLY	1	Series A0		
007	NLA	CABINET (LWR-ALM)	1	Series A0		
008	Y302699	LEG, ADJUSTABLE (W/NUT)---S	4	Series A0		
009	210684	FOOT, RUBBER	2	Series A0		
010	210385	NUT, ADJUSTABLE LEG	4	Series A0		
011	314663	SCREW, TOP DRYER	4	Series A0		
012	NLA	PANEL, FRONT (WHT)	2	Series A0		
013	211168	SCREW, CABLE STRAP	2	Series A0		
14	33001203	PANEL, CLEAR INNER (W/SEAL)	2	Series A0		
15	314974	(ALM)	2	Series A0		
15	314939	HANDLE, DOOR (WHT)	2	Series A0		
16	314967	PANEL, OUTER (WHT)	2	Series A0		
16	NLA	(ALM)	2	Series A0		
17	NLA	NAME PLATE	1	Series A0		
018	Y313559	SCREW, COVER PLATE	2	Series A0		
19	213007	SCREW, CABINET	12	Series A0		
20	204439	SCREW & FASTENER ASSEMBLY	4	Series A0		
21	310933	FASTENER, SUPPORT ASSEMBLY	4	Series A0		





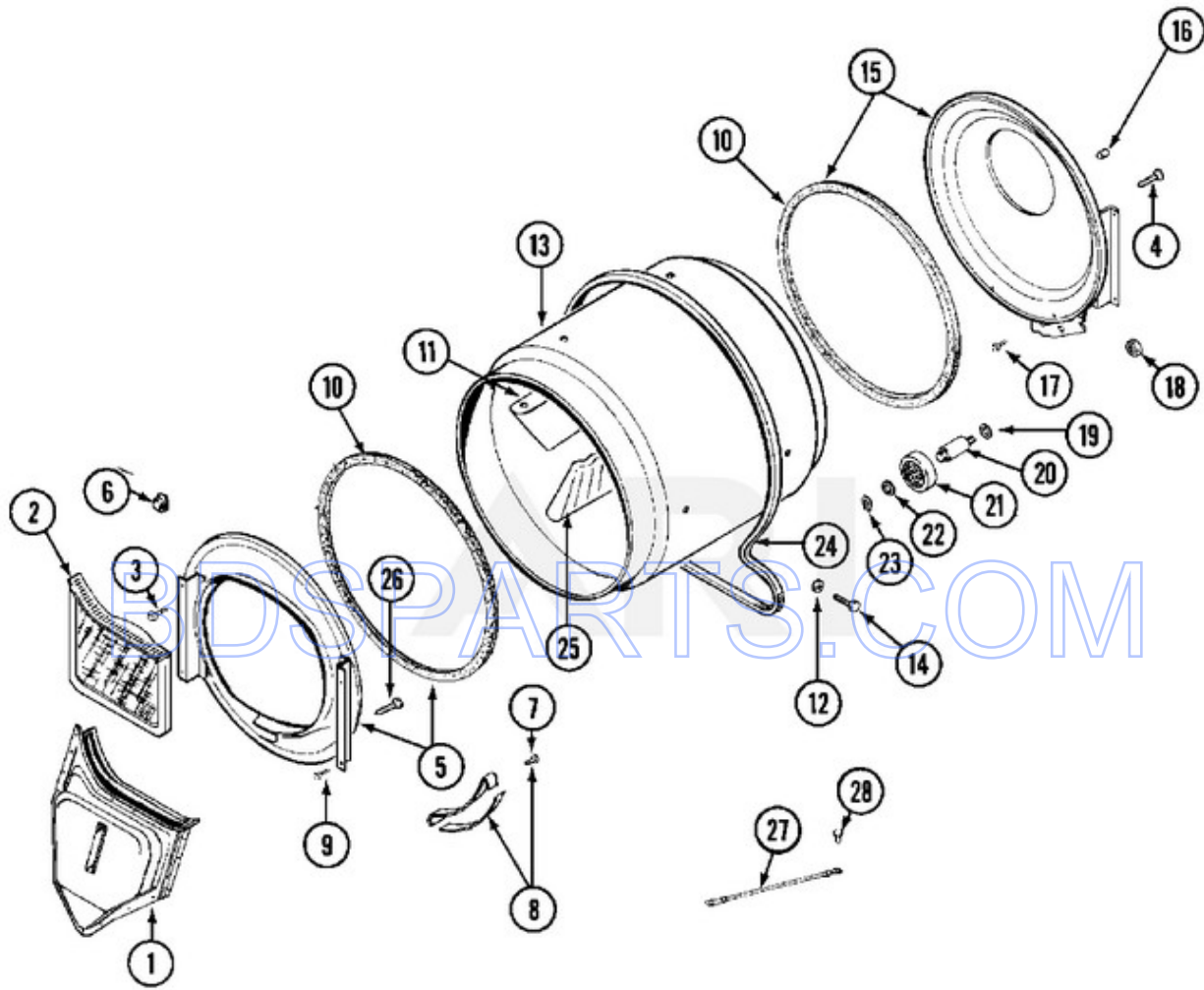
Ref #	Part #	Description	Qty	Context	Note	MSRP
001	Y314062	SCREW, DOOR HINGE & PANEL	28	Series	A0	
002	33001230	HINGE, DOOR	4	Series	A0	
003	314967	PANEL, OUTER (WHT)	2	Series	A0	
003	NLA	(ALM)	2	Series	A0	
004	314974	(ALM)	2	Series	A0	
004	314939	HANDLE, DOOR (WHT)	2	Series	A0	
005	33001192	SEAL, DOOR	2	Series	A0	
006	33001305	STRIKE, DOOR (W/BRACKET)	2	Series	A0	
007	Y304578	CATCH, DOOR (FEMALE)	4	Series	A0	
008	212982	FASTENER, SPRING	4	Series	A0	
009	Y310376	CLIP, CABLE	2	Series	A0	
010	Y305753	SWITCH, DOOR	2	Series	A0	
010	33001509	SWITCH, DOOR	2	Series	16	
011	314937	SEAL, FRONT PANEL	2	Series	A0	
012	NLA	SCREW, PLASTIC	8	Series	A0	
12	NLA	SPEEDNUT, HINGE SCREW	8	Series	A0	
13	NLA	PANEL, FRONT (WHT)	2	Series	A0	
14	NLA	PLUG, DOOR CATCH	2	Series	A0	
015	33001176	(ALM)	4	Series	A0	
015	33001175	COVER, HINGE HOLE (WHT)	4	Series	A0	
016	Y313910	FASTENER, INNER DOOR	18	Series	A0	
017	204439	SCREW & FASTENER ASSEMBLY	2	Series	A0	
18	33001203	PANEL, CLEAR INNER (W/SEAL)	2	Series	A0	
19	33001168	(ALM)	2	Series	A0	
019	33001132	PLUG, SIGHT HOLE (WHT)	2	Series	A0	

MDG13CSAAW - 05 - REAR



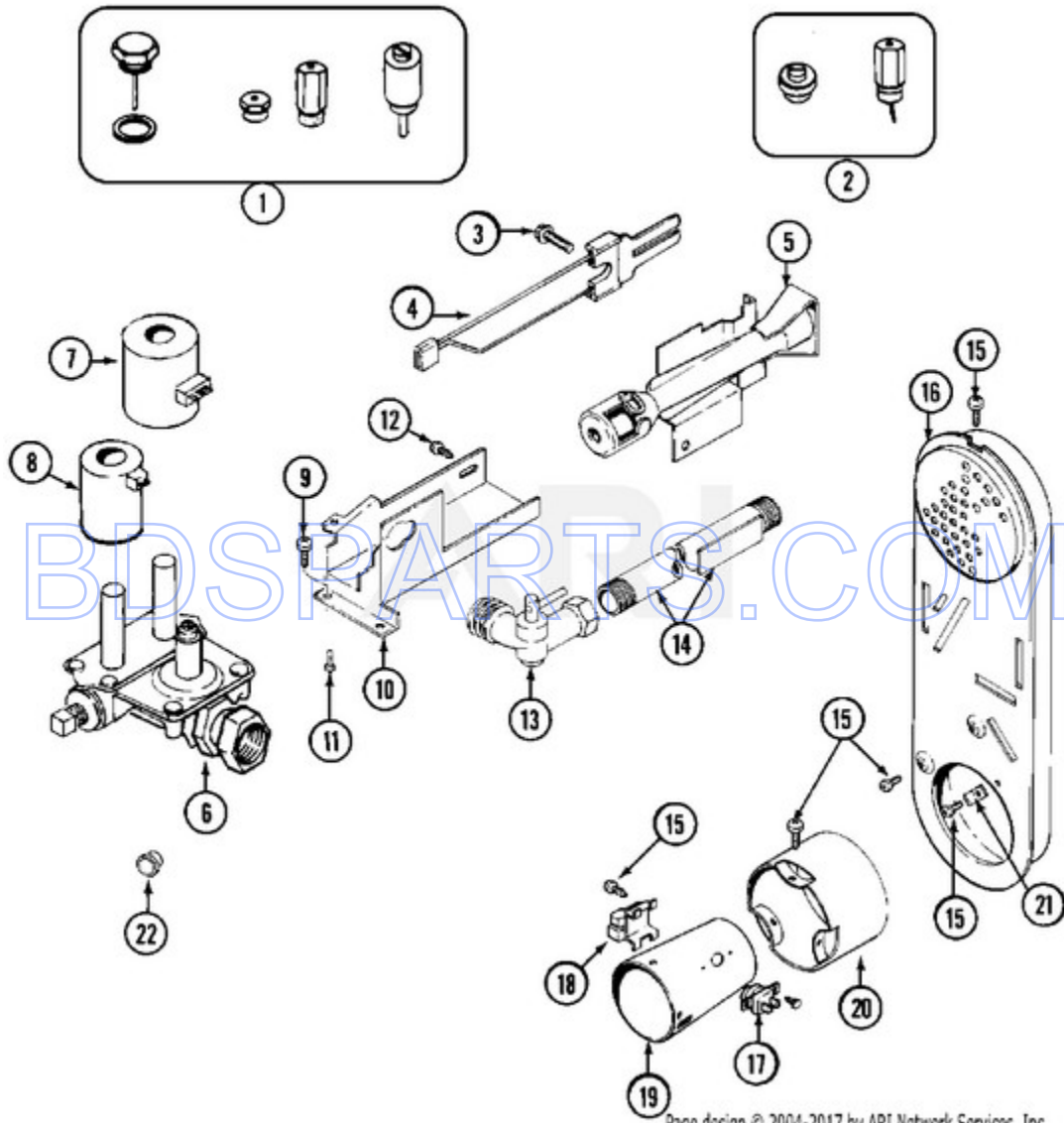
Ref #	Part #	Description	Qty	Note
1	33001285	CORD, POWER	-	Series 10
1	308966	CORD, POWER	-	Series 10
1	33001284	CORD, POWER	2	Series 10
2	211881	GROMMET, POWER CORD	2	Series 10
2	NIA	GROMMET, POWER CORD	-	Series 10
3	Y312905	COVER, TERMINAL	2	Series 10
4	Y313561	SCREW, TERMINAL COVER	8	Series 10
5	NIA	SCREW, SHROUD	5	Series 10
6	Y313559	SCREW, TOP COVER PLATE	2	Series 10
7	213007	SCREW, CABINET	12	Series 10
8	Y310632	SCREW, SPACER ASSEMBLY	5	Series 10
8	NIA	SCREW, SPACER ASSEMBLY	1	Series 10
9	216423	SCREW, ACCESS PANEL	8	Series 10
10	Y310632	SCREW, FILLER STRIP	2	Series 10
10	Y313561	SCREW, FILLER STRIP	1	Series 10
11	NIA	SHROUD, CONTROL (WHT)	1	Series 10
12	NIA	PLATE, TOP COVER	2	Series 10
13	NIA	COVER, TOP (WHT)	1	Series 10
14	NIA	SCREW & WASHER ASSEMBLY	1	Series 10
15	Y310632	SCREW, CABINET	4	Series 10
15	NIA	CABINET (UPR-ALM)	-	Series 10
16	33001302	(WHT)	1	Series 10
16	NIA	SPACER ASSEMBLY (ALM)	-	Series 10
17	310933	FASTENER, SPACER ASSEMBLY	4	Series 10
18	Y302699	LEG, ADJUSTABLE (W/NUT)---S	4	Series 10
19	210684	FOOT, RUBBER	4	Series 10
20	210385	NUT, ADJUSTABLE LEG	4	Series 10
21	Y312951	COVER, ACCESS	2	Series 10
22	NIA	STRIP, FILLER	1	Series 10
23	311155	GROUND WIRE	1	Series 10
24	301548	CLAMP, GROUND (W/SCREW)	1	Series 10

MDG13CSAAW - 06 - TUMBLER



Ref #	Part #	Description	Qty	Context Note	MSRP
001	33001016	OUTLET DUCT ASSEMBLY	2	Series A0	
002	33001170	FILTER, LINT	2	Series A0	
003	NLA	SCREW, TUMBLER SUPPORT	8	Series A0	
004	Y313561	SCREW, TUMBLER FRONT & BACK	4	Series A0	
005	33001179	FRONT, TUMBLER (W/SEAL)	2	Series A0	
006	Y310376	CLIP, CABLE	2	Series A0	
007	210720	RIVET	8	Series A0	
008	306508	TUMBLER BEARING KIT ----W	4	Series A0	
009	Y310632	SCREW, TUMBLER FRONT	6	Series A0	
010	314820	SEAL, TUMBLER	4	Series A0	
011	33001012	BAFFLE (SHORT)	2	Series A0	
012	314158	WASHER, BAFFLE SCREW	12	Series A0	
013	33001108	DRYER TUMBLER, W/O BAFFLES	2	Series A0	
014	Y310759	SCREW, TUMBLER BAFFLE	12	Series A0	
015	33001178	BACK, TUMBLER (W/SEAL)	2	Series A0	
016	NLA	COVER, THREAD	8	Series A0	
017	Y310632	SCREW, TUMBLER BACK	6	Series A0	
018	312538	NUT, ROLLER SHAFT	4	Series A0	
19	Y313347	WASHER, SPRING (ROLLER SFT)	4	Series A0	
20	Y312948	SHAFT, TUMBLER ROLLER----C	4	Series A0	
21	Y303373	ROLLER (W/BEARING)	4	Series A0	
22	312535	WASHER, ROLLER SHAFT	4	Series A0	
23	410233	RING, RETAINING	4	Series A0	
024	Y312959	BELT, DRUM	2	Series A0	
025	33001004	BAFFLE, TALL	4	Series A0	
026	Y314110	SCREW, OUTLET DUCT	8	Series A0	
27	901220	GROUND WIRE	2	Series A0	
28	910343	SCREW, GROUND WIRE	2	Series A0	

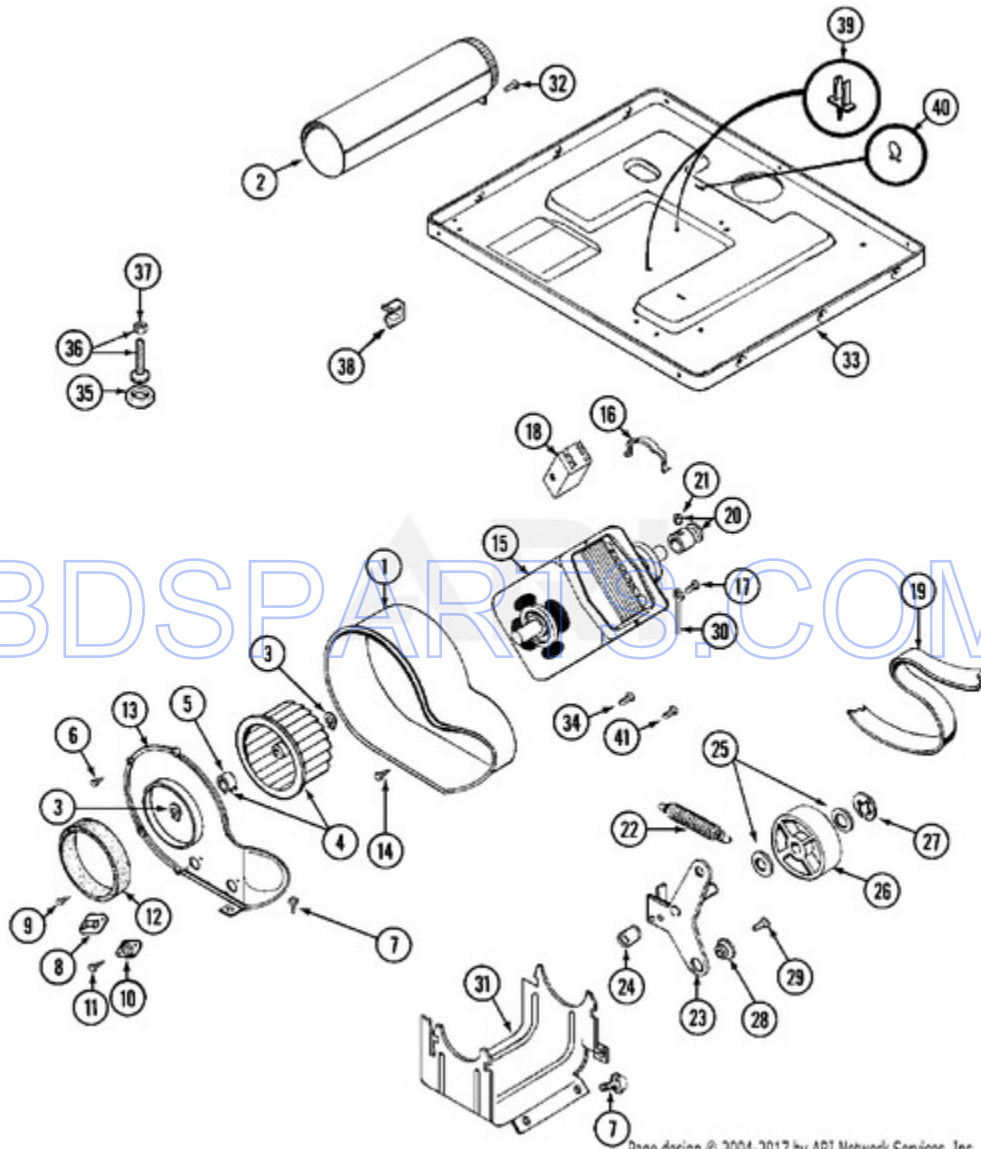
MDG13CSAAW - 07 - GAS VALVE



Ref #	Part #	Description	Qty	Context	Note	MSRP
001	Y308378	CONVERSION KIT (NAT TO LP)	1	Series	10	
002	Y308377	CONVERSION KIT (LP TO NAT.)	1	Series	10	
003	304971	SCREW, IGNITER	1	Series	10	
004	304970	IGNITER ASSEMBLY	1	Series	10	
005	33001247	BURNER ASSEMBLY	1	Series	10	
006	308345	VALVE, GAS	1	Series	10	
007	306106	COIL, HOLDING & BOOSTER--W	1	Series	10	
008	306105	COIL, SECONDARY--W	1	Series	10	
009	Y313561	SCREW, GAS VALVE	1	Series	10	
010	314566	BRACKET, GAS VALVE	1	Series	10	
011	Y313559	SCREW, GAS VALVE ASSEMBLY	1	Series	10	
012	314082	SCREW, GAS VALVE	1	Series	10	
012	314568	SCREW, GAS VALVE	1	Series	10	
013	33001842	CONNECTOR, ANGLE	1	Series	14	
13	Y303349	SHUT-OFF, GAS VALVE	1	Series	10	
14	Y303383	PIPE & BRACKET ASSEMBLY	1	Series	10	
015	211294	SCREW, DUCT, CONE & SENSOR	14	Series	10	
016	Y308504	INLET DUCT ASSEMBLY	1	Series	10	
17	305169	THERMOSTAT, HI-LIMIT GAS	1	Series	10	
18	Y303377	SENSOR, RADIANT	1	Series	10	
19	Y308548	COMBUSTION CONE ASSEMBLY	1	Series	10	
20	Y303841	EXTENSION, CONE (W/SCREWS)	1	Series	10	
21	Y312890	RETAINER, HEATER CHAMBER	1	Series	10	
022	33001693	CAP, GAS PIPE	1	Series	10	



MDG13CSAAW - 08 - MOTOR DRIVE



Ref #	Part #	Description	Qty	Context	Note	MSRP
001	Y312893	HOUSING, BLOWER	1	Series	10	
002	Y303442	EXHAUST DUCT ASSEMBLY	1	Series	10	
003	410233	RING, RETAINING	2	Series	10	
004	Y303836	BLOWER WHEEL ASSEMBLY	1	Series	10	
005	312967	CLAMP, BLOWER WHEEL	1	Series	10	
006	Y312961	SCREW, HOUSING COVER	6	Series	10	
007	Y313561	SCREW, HOUSING COVER	3	Series	10	
008	303392	THERMOSTAT, CYCLING	1	Series	10	
008	306966	THERMOSTAT, MULTI-TEMP	1	Series	10	
009	211294	SCREW, THERMOSTAT	2	Series	10	
010	306604	CUT-OFF, THERMAL	1	Series	10	
011	NLA	SCREW, THERMAL CUT-OFF	2	Series	10	
012	Y312901	SEAL, HOUSING COVER	1	Series	10	
13	314778	COVER, BLOWER HOUSING	1	Series	10	
14	314818	SCREW, BLOWER HOUSING	4	Series	10	
15	Y303358	MOTOR	1	Series	10	
16	Y015825	CLIP, MOTOR	2	Series	10	
17	910343	SCREW, GROUND WIRE	1	Series	10	
018	Y303877	SWITCH, MOTOR EXTERNAL START (No.303358-2, 303358-4,303358-7)	1	Series	10	
18	306207	(PROD. No. 303358-8 & 303358-9)				
18	Y303879	SWITCH, MOTOR EXTERNAL START (PROD. No. 303358 & 303358-6)	1	Series	10	
018	NLA	SWITCH, MOTOR EXTERNAL START	1	Series	10	
19	Y312959	BELT, TUMBLER & MOTOR	1	Series	10	
20	Y305185	PULLEY, MOTOR (W/SET SCREW)	1	Series	10	
21	Y053241	SCREW, SET	1	Series	10	
22	Y303945	IDLER SPRING ASSEMBLY	1	Series	10	
23	Y303363	IDLER ARM & SHAFT ASSEMBLY	1	Series	10	
24	Y313582	SPACER, IDLER BRACKET	1	Series	10	
25	Y312527	WASHER, IDLER SHAFT (QTY-1)	2	Series	10	
26	Y303705	PULLEY, IDLER	1	Series	10	
027	312958	RING, RETAINING	1	Series	10	
28	Y312894	SLEEVE, IDLER ARM ----S	1	Series	10	
29	Y014874	SCREW, IDLER ARM	1	Series	10	
030	901220	WIRE, GROUND	1	Series	10	
031	NLA	SUPPORT, MOTOR	1	Series	10	
32	Y310632	SCREW, EXHAUST DUCT	1	Series	10	
33	Y305084	BASE ASSEMBLY	1	Series	10	
034	211294	SCREW, GROUND WIRE	1	Series	10	

Ref #	Part #	Description	Qty	Context	Note	MSRP
35	Y314137	FOOT, RUBBER	4	Series	10	
36	Y305086	ADJUSTABLE LEG & NUT	4	Series	10	
37	Y052740	NUT, LEG	4	Series	10	
38	Y310376	CLIP, CABLE	1	Series	10	
39	315471	RETAINER, WIRE	1	Series	10	
40	410490	SPRING, WIRE HARNESS	2	Series	10	
041	Y312961	SCREW, SPACER	1	Series	10	

BDSPARTS.COM