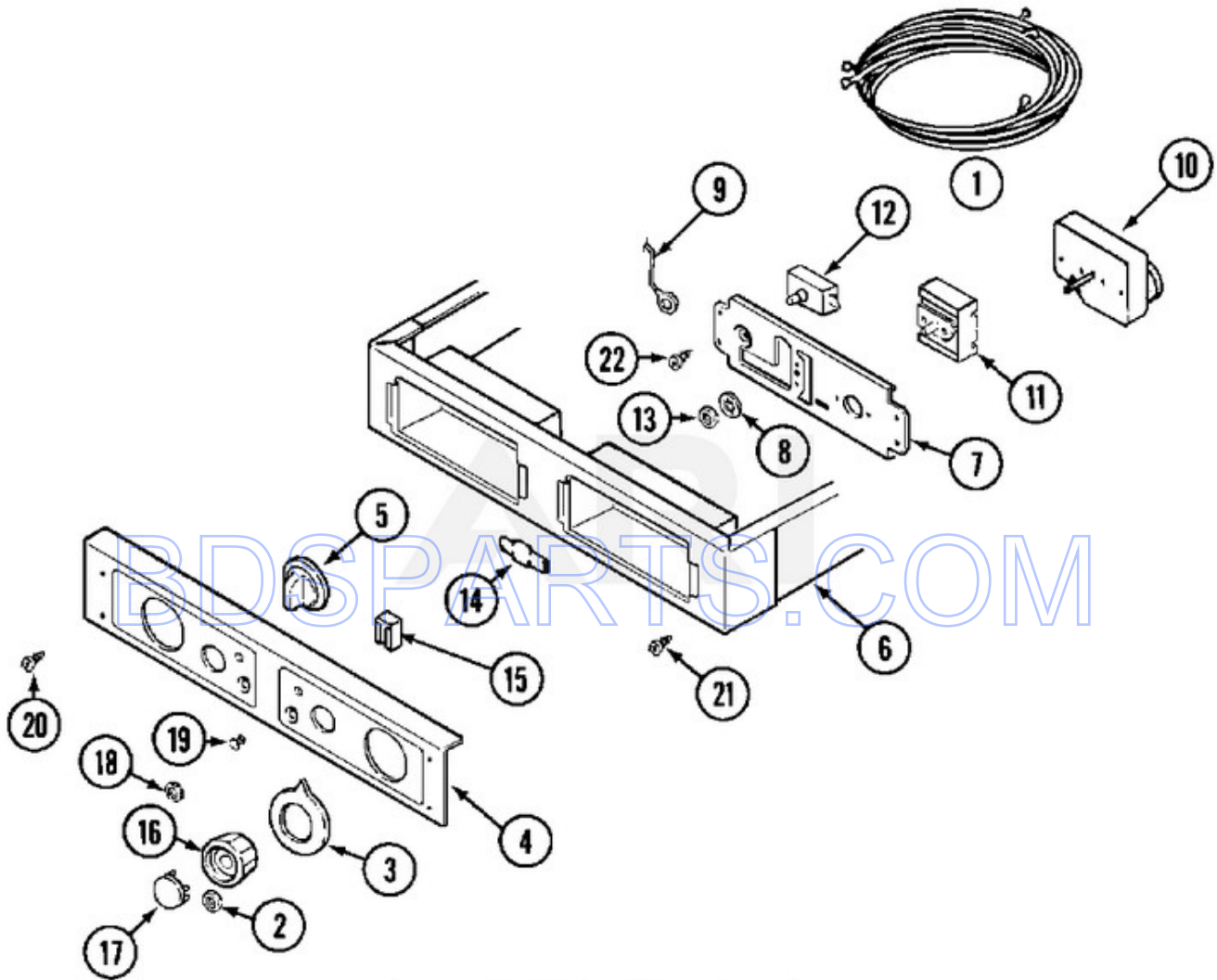
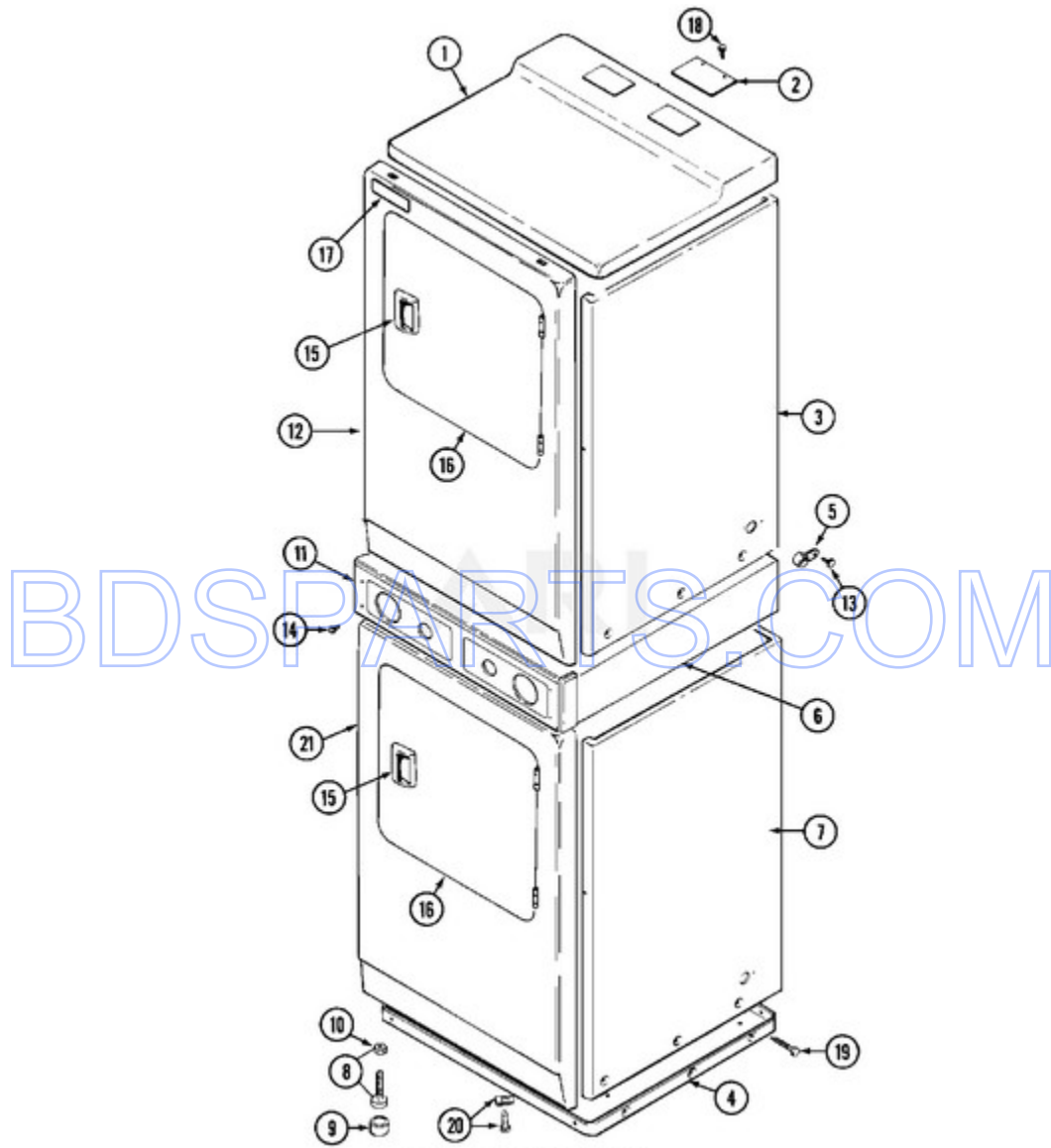


MDG13MNAAW - 01 - CONTROL PANEL & SUPPORT ASSY.



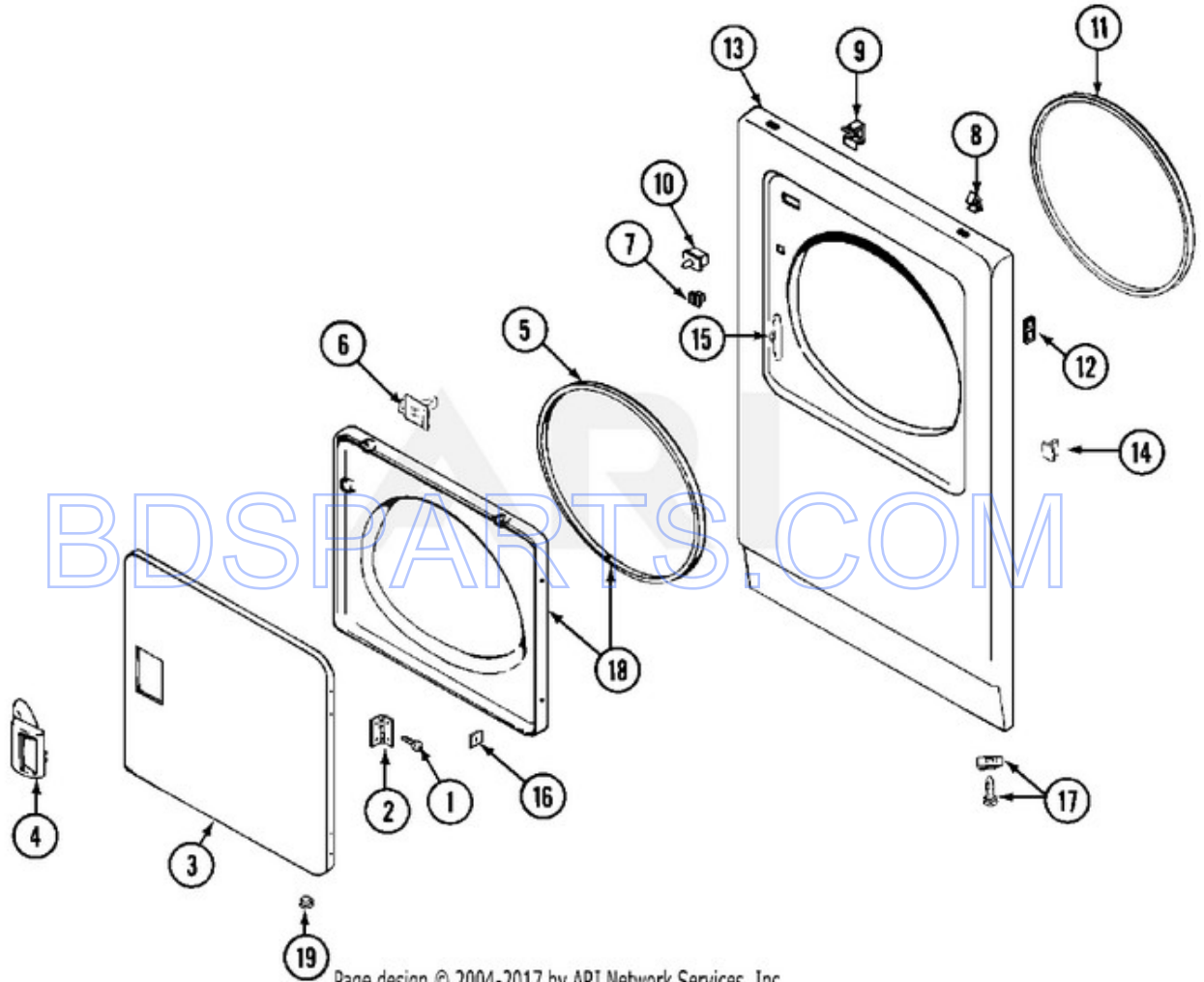
Ref #	Part #	Description	Qty	Note
1	314522	GROMMET, STRAIN RELIEF	3	Series 10
1	33001525	WIRE HARNESS, MAIN (UPR)	1	Series 10
1	NLA	(LWR)	1	Series 10
2	312273	NUT, TIMER KNOB	2	Series 10
3	33001500	DIAL, TIMER INDICATOR	2	Series 10
4	33001723	PANEL, CONTROL	1	Series 10
5	205663	KNOB, CYCLE SELECTOR	2	Series 10
6	NLA	SUPPORT ASSEMBLY (WHT)	1	Series 10
6	Y310632	SCREW, SUPPORT ASSEMBLY	5	Series 10
7	NLA	BRACKET, CONTROL MOUNTING	2	Series 10
8	312751	LOCKWASHER, START SWITCH	2	Series 10
9	211252	SCREW, GROUND WIRE	2	Series 10
9	205810	WIRE, GROUND	2	Series 10
9	211168	SCREW, GROUND WIRE	2	Series 10
10	Y307296	TIMER RPR	2	Series 10
11	306940	SWITCH, PUSH-TO-START	2	Series 10
12	307253	SWITCH, CYCLE SELECTOR	2	Series 10
13	Y312706	NUT, START SWITCH	2	Series 10
14	Y201110	CONNECTOR, WIRE	2	Series 10
15	204075	LIGHT, INDICATOR	2	Series 10
16	314724	KNOB, TIMER	2	Series 10
17	314723	CAP, TIMER KNOB	2	Series 10
18	Y312702	KNURLED NUT, START SWITCH	2	Series 10
19	215564	LENS, INDICATOR LIGHT	2	Series 10
20	215506	SCREW, CONTROL PANEL	4	Series 10
21	910186	SCREW, MOUNTING BRACKET	6	Series 10
22	Y313588	SCREW, TIMER & CYCLE SELECTOR	8	Series 10

MDG13MNAAW - 02 - FRONT



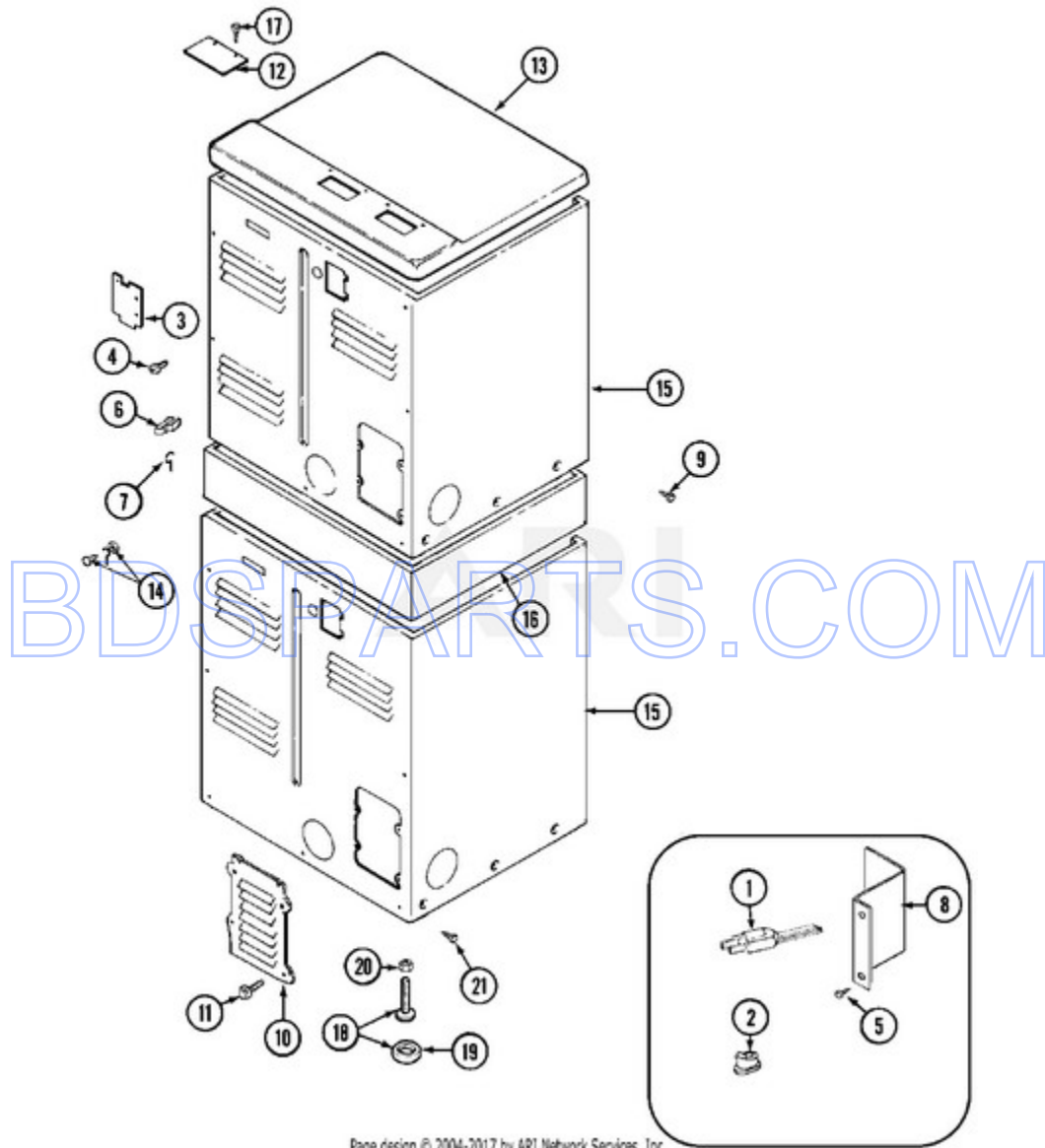
Ref #	Part #	Description	Qty	Note
1	NIA	COVER, TOP (WHT)	1	Series 10
2	NIA	PLATE, COVER	2	Series 10
3	NIA	CABINET (WHT)	1	Series 10
4	Y307482	(UPR)	1	Series 10
4	306530	BASE ASSEMBLY (LWR)	1	Series 10
5	910768	STOP, CABLE	2	Series 10
6	911050	SCREW, SUPPORT	1	Series 10
6	314663	SCREW, SUPPORT	2	Series 10
6	Y310632	SCREW, SUPPORT	5	Series 10
6	NIA	SUPPORT ASSEMBLY (WHT)	1	Series 10
7	NIA	CABINET (WHT)	1	Series 10
8	Y302699	LEG, ADJUSTABLE (W/NUT)	4	Series 10
9	210684	FOOT, RUBBER	4	Series 10
10	210385	NUT, ADJUSTABLE LEG	4	Series 10
11	33001723	PANEL, CONTROL	1	Series 10
12	NIA	PANEL, FRONT (UPR-WHT)	1	Series 10
12	33001486	PANEL, FASTENER	4	Series 10
13	211168	SCREW, CABLE STOP	2	Series 10
14	215506	SCREW, CONTROL PANEL	4	Series 10
15	33001241	HANDLE, DOOR (WHT)	2	Series 10
16	33001240	DOOR (WHT)	2	Series 10
17	33001711	NAMEPLATE	1	Series 10
18	Y313559	SCREW, COVER PLATE	2	Series 10
19	213007	SCREW, CABINET SIDES	12	Series 10
20	22001496	SCREW, FRONT PANEL	4	Series 10
21	33001614	PLUG, FRONT PANEL (WHT)	2	Series 10
21	NIA	PANEL, FRONT (LWR-WHT)	1	Series 10
21	33001486	PANEL, FASTENER	4	Series 10

MDG13MNAAW - 03 - DOOR



Ref #	Part #	Description	Qty	Note
1	Y314062	SCREW, HINGE & PANEL	28	Series 10
2	33001230	HINGE, DOOR	4	Series 10
3	33001240	DOOR (WHT)	2	Series 10
4	33001241	HANDLE, DOOR (WHT)	2	Series 10
5	33001131	SEAL, DOOR	2	Series 10
6	33001305	STRIKE, DOOR (W/BRACKET)	2	Series 10
7	Y304578	CATCH, DOOR (FEMALE)	2	Series 10
8	212982	FASTENER, SPRING	4	Series 10
9	Y310376	CLIP, WIRE HARNESS	6	Series 10
10	Y305753	SWITCH, DOOR	2	Series 10
10	33001509	SWITCH, DOOR	1	Series 10
11	314937	SEAL, FRONT PANEL	2	Series 10
12	NIA	FASTENER CLIP	8	Series 10
12	NIA	CLIP, HINGE SCREW	8	Series 10
13	33001486	PANEL, FASTENER	8	Series 10
13	NIA	PANEL, FRONT (WHT-UPR)	1	Series 10
14	NIA	PLUG, DOOR CATCH	2	Series 10
15	33001175	COVER, HINGE HOLE (WHT)	4	Series 10
16	Y313910	CLIP, INNER DOOR SCREW	18	Series 10
17	22001496	SCREW, FRONT PANEL	2	Series 10
17	NIA	CLIP, CABINET SCREW	2	Series 10
18	33001243	PANEL, INNER DOOR (W/SEAL)	2	Series 10
19	33001132	PLUG, SIGHT HOLE & DOOR (WHT)	4	Series 10

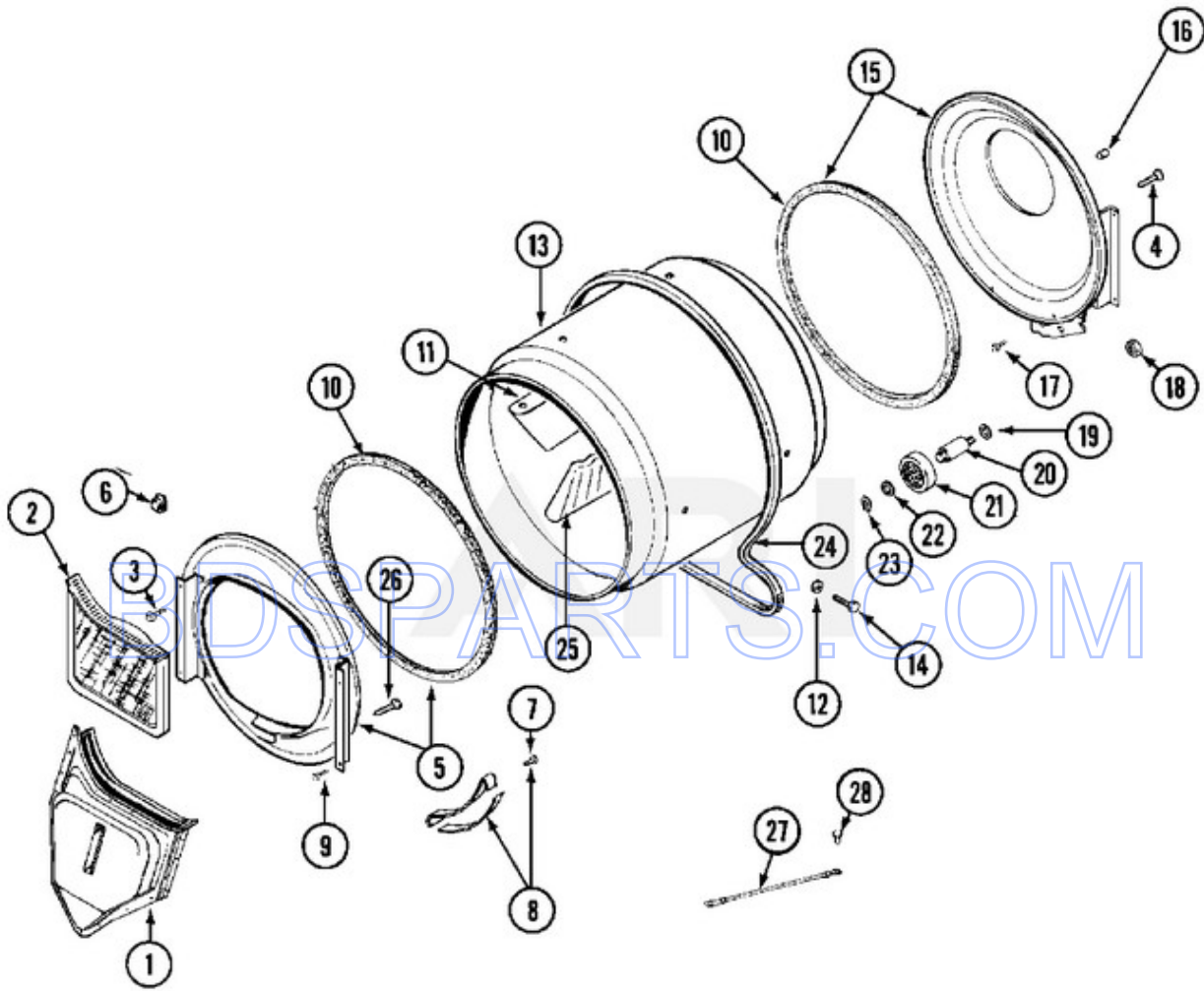
MDG13MNAAW - 04 - REAR



Ref #	Part #	Description	Qty	Note
1	33001246	CORD, POWER	2	Series 10
1	311093	WASHER, TERMINAL CONNECTION	2	Series 10
1	311484	NUT, TERMINAL CONNECTION	2	Series 10
2	211881	GROMMET, POWER CORD	2	Series 10
3	Y312905	COVER, TERMINAL	2	Series 10
4	Y313561	SCREW, TERMINAL COVER	8	Series 10
5	Y312209	SCREW, TERMINAL BRACKET	4	Series 10
6	313122	SCREW, CLAMP	1	Series 10
6	301548	CLAMP, GROUND WIRE (W/SCREW)	1	Series 10
7	311155	WIRE, GROUND	1	Series 10
8	Y312904	BRACKET, TERMINAL BLOCK	2	Series 10
9	NIA	SCREW, SUPPORT	1	Series 10
9	Y310632	SCREW, SUPPORT	5	Series 10
10	Y312951	COVER, ACCESS	1	Series 10
11	216423	SCREW, ACCESS COVER	8	Series 10
12	NIA	PLATE, TOP COVER	2	Series 10
13	NIA	COVER, TOP (WHT)	1	Series 10
14	NIA	SCREW & WASHER ASSEMBLY	1	Series 10
15	NIA	CABINET (LWR-WHT)	1	Series 10
15	Y310632	SCREW, CABINET	4	Series 10
16	NIA	SUPPORT ASSEMBLY (WHT)	1	Series 10
17	Y313559	SCREW, TOP COVER PLATE	2	Series 10
18	Y302699	LEG, ADJUSTABLE (W/NUT)---S	4	Series 10
19	210684	FOOT, RUBBER	4	Series 10
20	210385	NUT, ADJUSTABLE LEG	4	Series 10
21	213007	SCREW, CABINET SIDES	12	Series 10

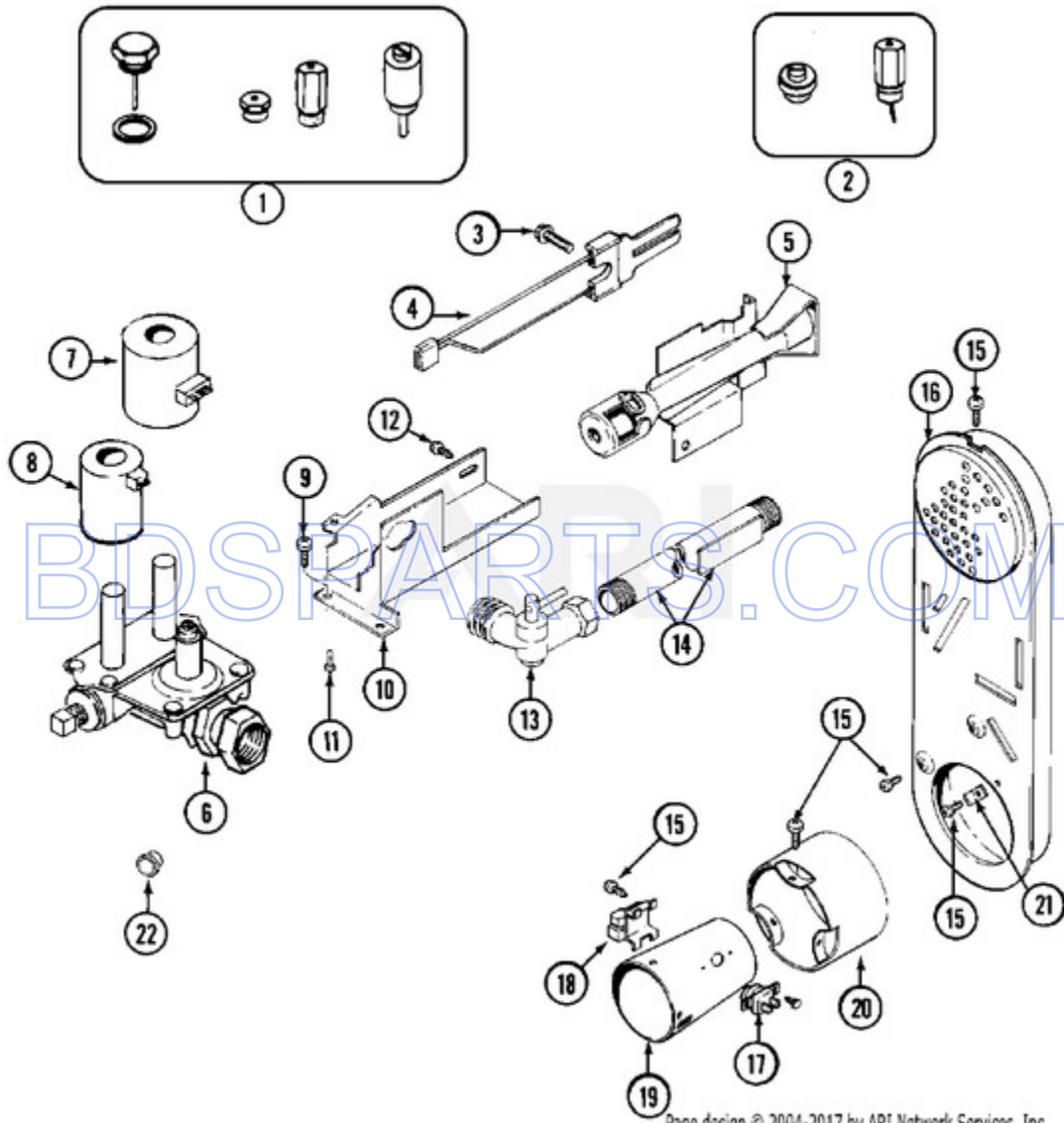


MDG13MNAAW - 05 - TUMBLER



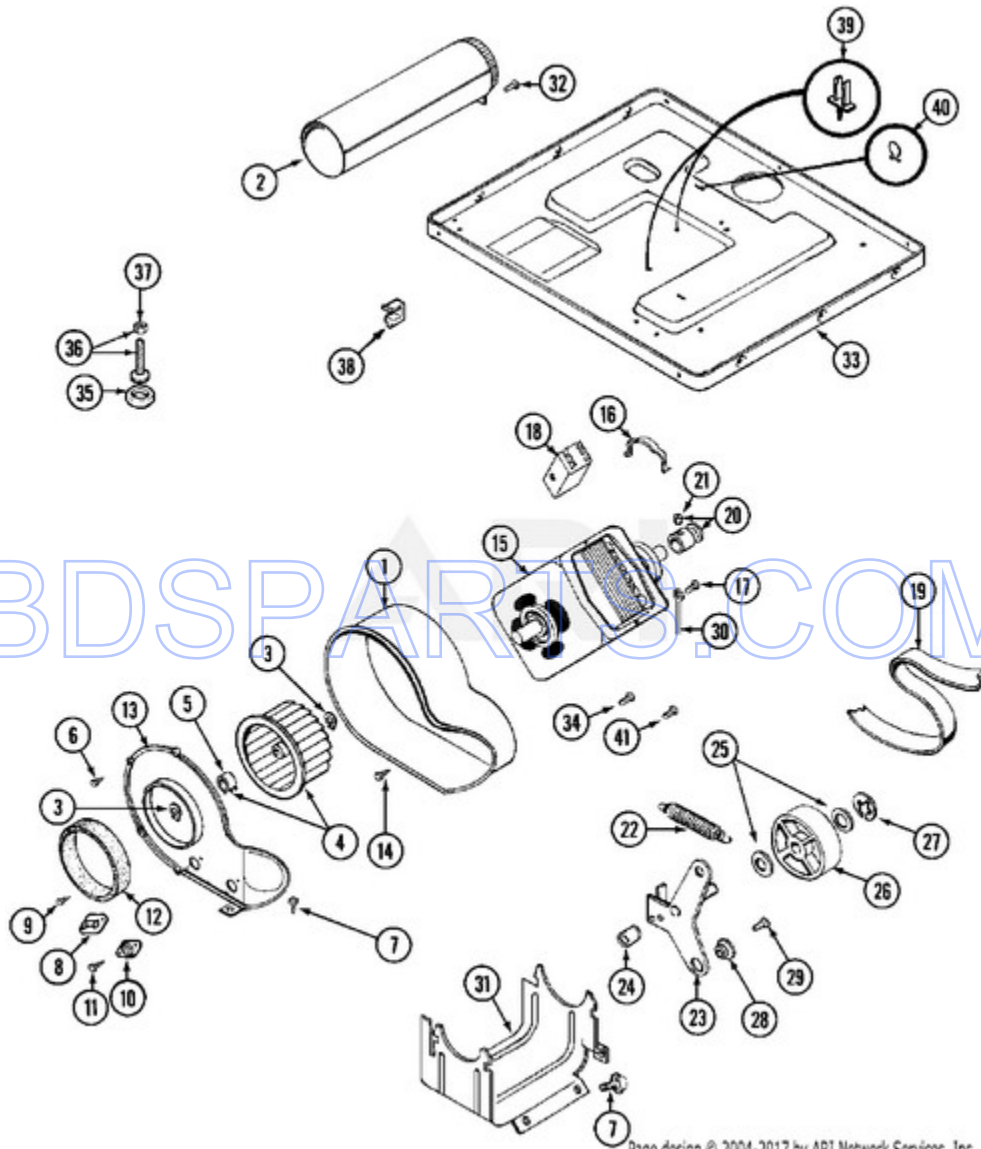
Ref #	Part #	Description	Qty	Context	Note	MSRP
001	33001016	OUTLET DUCT ASSEMBLY	2		Series A0	
002	33001170	FILTER, LINT	2		Series A0	
003	NLA	SCREW, TUMBLER SUPPORT	8		Series A0	
004	Y313561	SCREW, TUMBLER FRONT & BACK	4		Series A0	
005	33001179	FRONT, TUMBLER (W/SEAL)	2		Series A0	
006	Y310376	CLIP, CABLE	2		Series A0	
007	210720	RIVET	8		Series A0	
008	306508	TUMBLER BEARING KIT ----W	4		Series A0	
009	Y310632	SCREW, TUMBLER FRONT	6		Series A0	
010	314820	SEAL, TUMBLER	4		Series A0	
011	33001012	BAFFLE (SHORT)	2		Series A0	
012	314158	WASHER, BAFFLE SCREW	12		Series A0	
013	33001108	DRYER TUMBLER, W/O BAFFLES	2		Series A0	
014	Y310759	SCREW, TUMBLER BAFFLE	12		Series A0	
015	33001178	BACK, TUMBLER (W/SEAL)	2		Series A0	
016	NLA	COVER, THREAD	8		Series A0	
017	Y310632	SCREW, TUMBLER BACK	6		Series A0	
018	312538	NUT, ROLLER SHAFT	4		Series A0	
19	Y313347	WASHER, SPRING (ROLLER SFT)	4		Series A0	
20	Y312948	SHAFT, TUMBLER ROLLER----C	4		Series A0	
21	Y303373	ROLLER (W/BEARING)	4		Series A0	
22	312535	WASHER, ROLLER SHAFT	4		Series A0	
23	410233	RING, RETAINING	4		Series A0	
024	Y312959	BELT, DRUM	2		Series A0	
025	33001004	BAFFLE, TALL	4		Series A0	
026	Y314110	SCREW, OUTLET DUCT	8		Series A0	
27	901220	GROUND WIRE	2		Series A0	
28	910343	SCREW, GROUND WIRE	2		Series A0	

MDG13MNAAW - 06 - GAS VALVE



Ref #	Part #	Description	Qty	Context	Note	MSRP
001	Y308378	CONVERSION KIT (NAT TO LP)	1	Series	10	
002	Y308377	CONVERSION KIT (LP TO NAT.)	1	Series	10	
003	304971	SCREW, IGNITER	1	Series	10	
004	304970	IGNITER ASSEMBLY	1	Series	10	
005	33001247	BURNER ASSEMBLY	1	Series	10	
006	308345	VALVE, GAS	1	Series	10	
007	306106	COIL, HOLDING & BOOSTER--W	1	Series	10	
008	306105	COIL, SECONDARY--W	1	Series	10	
009	Y313561	SCREW, GAS VALVE	1	Series	10	
010	314566	BRACKET, GAS VALVE	1	Series	10	
011	Y313559	SCREW, GAS VALVE ASSEMBLY	1	Series	10	
012	314082	SCREW, GAS VALVE	1	Series	10	
012	314568	SCREW, GAS VALVE	1	Series	10	
013	33001842	CONNECTOR, ANGLE	1	Series	14	
13	Y303349	SHUT-OFF, GAS VALVE	1	Series	10	
14	Y303383	PIPE & BRACKET ASSEMBLY	1	Series	10	
015	211294	SCREW, DUCT, CONE & SENSOR	14	Series	10	
016	Y308504	INLET DUCT ASSEMBLY	1	Series	10	
017	305169	THERMOSTAT, HI-LIMIT GAS	1	Series	10	
18	Y303377	SENSOR, RADIANT	1	Series	10	
19	Y308548	COMBUSTION CONE ASSEMBLY	1	Series	10	
20	Y303841	EXTENSION, CONE (W/SCREWS)	1	Series	10	
21	Y312890	RETAINER, HEATER CHAMBER	1	Series	10	
022	33001693	CAP, GAS PIPE	1	Series	10	

MDG13MNAAW - 07 - MOTOR DRIVE



Ref #	Part #	Description	Qty	Context	Note	MSRP
001	Y312893	HOUSING, BLOWER	1	Series	10	
002	Y303442	EXHAUST DUCT ASSEMBLY	1	Series	10	
003	410233	RING, RETAINING	2	Series	10	
004	Y303836	BLOWER WHEEL ASSEMBLY	1	Series	10	
005	312967	CLAMP, BLOWER WHEEL	1	Series	10	
006	Y312961	SCREW, HOUSING COVER	6	Series	10	
007	Y313561	SCREW, HOUSING COVER	3	Series	10	
008	303392	THERMOSTAT, CYCLING	1	Series	10	
008	306966	THERMOSTAT, MULTI-TEMP	1	Series	10	
009	211294	SCREW, THERMOSTAT	2	Series	10	
010	306604	CUT-OFF, THERMAL	1	Series	10	
011	NLA	SCREW, THERMAL CUT-OFF	2	Series	10	
012	Y312901	SEAL, HOUSING COVER	1	Series	10	
13	314778	COVER, BLOWER HOUSING	1	Series	10	
14	314818	SCREW, BLOWER HOUSING	4	Series	10	
15	Y303358	MOTOR	1	Series	10	
16	Y015825	CLIP, MOTOR	2	Series	10	
17	910343	SCREW, GROUND WIRE	1	Series	10	
018	Y303877	SWITCH, MOTOR EXTERNAL START (No.303358-2, 303358-4,303358-7)	1	Series	10	
18	306207	(PROD. No. 303358-8 & 303358-9)				
18	Y303879	SWITCH, MOTOR EXTERNAL START (PROD. No. 303358 & 303358-6)	1	Series	10	
018	NLA	SWITCH, MOTOR EXTERNAL START	1	Series	10	
19	Y312959	BELT, TUMBLER & MOTOR	1	Series	10	
20	Y305185	PULLEY, MOTOR (W/SET SCREW)	1	Series	10	
21	Y053241	SCREW, SET	1	Series	10	
22	Y303945	IDLER SPRING ASSEMBLY	1	Series	10	
23	Y303363	IDLER ARM & SHAFT ASSEMBLY	1	Series	10	
24	Y313582	SPACER, IDLER BRACKET	1	Series	10	
25	Y312527	WASHER, IDLER SHAFT (QTY-1)	2	Series	10	
26	Y303705	PULLEY, IDLER	1	Series	10	
027	312958	RING, RETAINING	1	Series	10	
28	Y312894	SLEEVE, IDLER ARM ----S	1	Series	10	
29	Y014874	SCREW, IDLER ARM	1	Series	10	
030	901220	WIRE, GROUND	1	Series	10	
031	NLA	SUPPORT, MOTOR	1	Series	10	
32	Y310632	SCREW, EXHAUST DUCT	1	Series	10	
33	Y305084	BASE ASSEMBLY	1	Series	10	
034	211294	SCREW, GROUND WIRE	1	Series	10	

Ref #	Part #	Description	Qty	Context	Note	MSRP
35	Y314137	FOOT, RUBBER	4	Series	10	
36	Y305086	ADJUSTABLE LEG & NUT	4	Series	10	
37	Y052740	NUT, LEG	4	Series	10	
38	Y310376	CLIP, CABLE	1	Series	10	
39	315471	RETAINER, WIRE	1	Series	10	
40	410490	SPRING, WIRE HARNESS	2	Series	10	
041	Y312961	SCREW, SPACER	1	Series	10	

BDSPARTS.COM