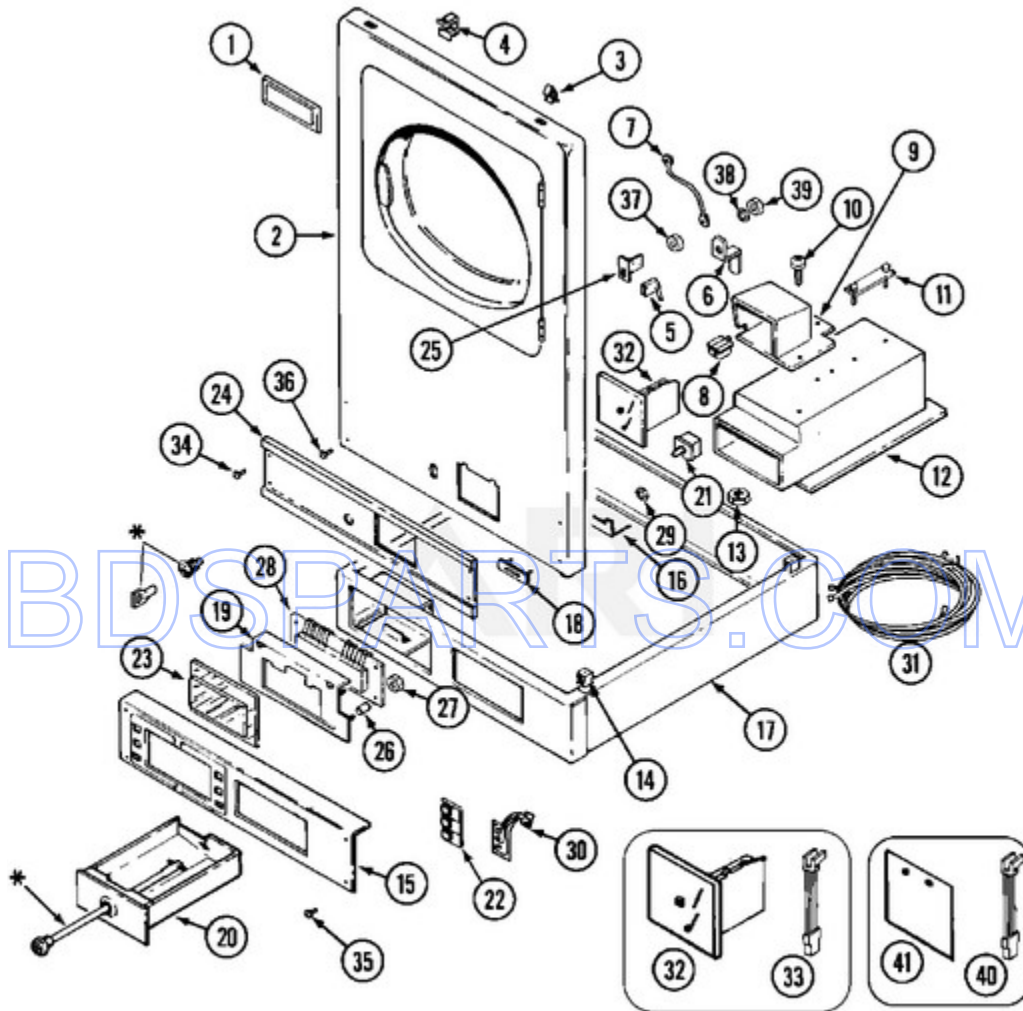


MDG13PDAAW - 01 - CONTROLS & UPPER PANEL

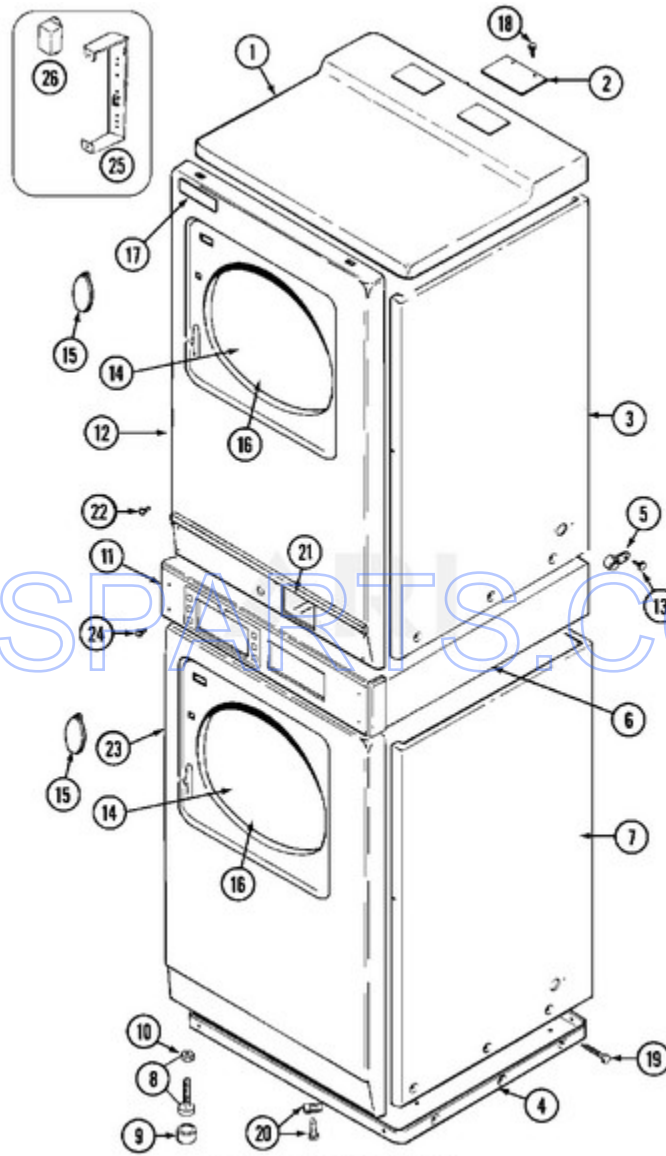


***Contact Your Commercial Distributor for Locks & Keys**

Ref #	Part #	Description	Qty	Context	Note	MSRP
1	33001711	NAMEPLATE		Series 10		
2	33001447	(UPR-WHT)		Series 10		
2	33001486	PANEL, FASTENER		Series 10		8.23
2	NLA	PANEL, FRONT (UPR-ALM)		Series 10		
3	212982	FASTENER, PANEL		Series 10		4.33
4	Y310376	CLIP, FASTENER		Series 10		
5	912012	SCREW, SWITCH		Series 10		
5	Y306232	SWITCH, ACCESS		Series 10		
6	314625	CAM, LOCKING		Series 10		
7	211294	SCREW, GROUND WIRE		Series 10		4.33
7	Y306712	GROUND WIRE, LOCK		Series 10		
8	314635	CHUTE, COIN		Series 10		
9	NLA	COVER, COIN DROP		Series 10		
10	314654	BOLT, COIN DROP COVER		Series 10		
11	22001810	STRAP, MOUNTING		Series 10		
11	NLA	LOCKWASHER, MOUNTING STRAP		Series 10		
12	910387	LOCKWASHER, VAULT ASSEMBLY		Series 10		
12	NLA	VAULT ASSEMBLY (WHT)		Series 10		
13	NLA	LOCKWASHER, COVER BOLT		Series 10		
13	Y052740	NUT, MOUNTING STRAP		Series 10		0.44
14	310933	CLIP, SUPPORT ASSEMBLY		Series 10		
15	NLA	EXTRUSION, CONTROL (LWR)		Series 10		
16	Y313561	SCREW, BRACKET		Series 10		4.33
16	314631	BRACKET, COIN DROP		Series 10		
16	Y310632	SCREW, BRACKET		Series 10		4.33
17	NLA	SUPPORT ASSEMBLY (WHT)		Series 10		
18	306233	STRAP, COIN ACCEPTOR		Series 10		
19	33001201	PLATE, CONTROL MOUNTING		Series 10		
19	910186	SCREW, PLATE		Series 10		
20	308143	TRAY, COIN (WHT)		Series 10		
20	308143L	(ALM)		Series 10		
21	33001250	SWITCH, VAULT & SERVICE DOOR		Series 10		12.83
22	33001156	BUTTON, PUSH		Series 10		27.38
23	33001209	COVER, DISPLAY		Series 10		19.24
24	NLA	EXTRUSION, CONTROL (UPR)		Series 10		
25	211168	SCREW, BRACKET		Series 10		4.33
25	314634	BRACKET, ACCESS SWITCH		Series 10		
26	33001204	STAND-OFF, CONTROL BOARD		Series 10		
27	912077	NUT, CONTROL BOARD		Series 10		4.86

Ref #	Part #	Description	Qty	Context	Note	MSRP
28	33001290	BOARD, CONTROL		Series 10		
28	33001747	BOARD, CONTROL		Series 12		
29	Y052659	NUT, COIN DROP		Series 10		4.33
30	33001200	SWITCH, MEMBRANE -		Series 10		52.29
31	314522	GROMMET, STRAIN RELIEF		Series 10		
31	33001332	WIRE HARNESS, MAIN (UPR)		Series 10		
31	33001333	(LWR)		Series 10		
31	33001404	WIRE HARNESS, MAIN (UPR)		Series 10		
31	33001405	(LWR)		Series 10		
31	33001407	(LWR)		Series 10		
31	910768	STRAP, HARNESS		Series 10		
31	NLA	WIRE HARNESS, MAIN (UPR)		Series 10		
32	308121	REJECTOR ASSEMBLY (25 CENTS)		Series 10		
32	Y308123	(CAN-25 CENTS)		Series 10		
33	315427	SCREW, SWITCH ASSEMBLY		Series 10		
33	33001025	OPTIC SWITCH ASSEMBLY		Series 10		
34	215506	SCREW, EXTRUSION		Series 10		4.33
34	315489	SCREW, FRONT PANEL		Series 10		
35	215506	SCREW, EXTRUSION (LWR)		Series 10		4.33
36	314666	SCREW, PANEL (UPR)		Series 10		
36	NLA	CLIP, CABINET SCREW		Series 10		
37	212328	NUT, LOCK		Series 10		7.99
38	22001354	WASHER, LOCK		Series 10		29.97
39	22001355	NUT, LOCK		Series 10		
40	33001025	OPTIC SWITCH ASSEMBLY		Series 10		
41	33001157	PLATE, COIN DROP COVER		Series 10		

MDG13PDAAW - 02 - FRONT

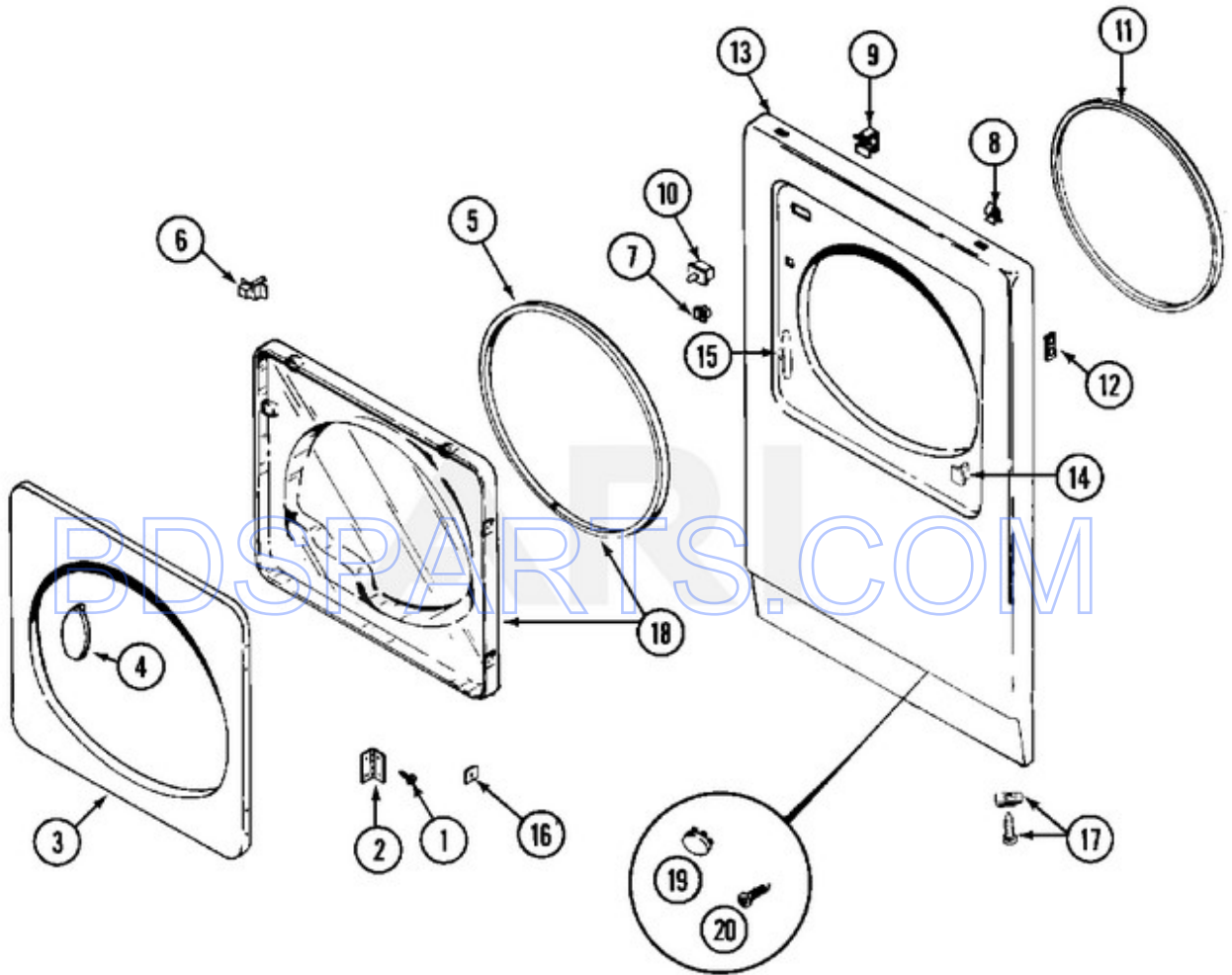


Ref #	Part #	Description	Qty	Context Note	MSRP
1	NLA	COVER, TOP (WHT)	1	Series 10	
2	NLA	PLATE, COVER	2	Series 10	
3	NLA	CABINET (UPR-WHT)	1	Series 10	
4	306261	BASE ASSEMBLY (UPR)	1	Series 10	
4	306530	(LWR)	1	Series 10	
5	910768	STOP, CABLE	2	Series 10	
6	310933	CLIP, SPACER ASSEMBLY	4	Series 10	
6	314663	SCREW, SUPPORT	2	Series 10	
6	911050	SCREW, SUPPORT	1	Series 10	
6	NLA	SUPPORT ASSEMBLY (WHT)	1	Series 10	
6	Y310632	SCREW, SUPPORT	5	Series 10	
7	NLA	CABINET (LWR-WHT)	1	Series 10	
8	Y302699	LEG, ADJUSTABLE (W/NUT)---S	4	Series 10	
9	210684	FOOT, RUBBER	4	Series 10	
10	210385	NUT, ADJUSTABLE LEG	4	Series 10	
11	NLA	EXTRUSION, CONTROL (LWR)	1	Series 10	
12	314666	SCREW, PANEL (UPR)	2	Series 10	
12	33001447	(UPR-WHT)	1	Series 10	
12	33001486	PANEL, FASTENER	4	Series 10	
12	NLA	PANEL, FRONT (UPR-ALM)	-	Series 10	
12	NLA	CLIP, CABINET SCREW	2	Series 10	
13	211168	SCREW, CABLE STOP	2	Series 10	
14	33001203	PANEL, CLEAR INNER (W/SEAL)	2	Series 10	
15	314939	HANDLE, DOOR (WHT)	2	Series 10	
15	314974	(ALM)	2	Series 10	
16	314967	PANEL, OUTER DOOR (WHT)	2	Series 10	
16	NLA	(ALM)	2	Series 10	
17	33001711	NAMEPLATE	1	Series 10	
18	Y313559	SCREW, COVER PLATE	2	Series 10	
19	213007	SCREW, CABINET SIDES	12	Series 10	
20	22001496	SCREW, FRONT PANEL	4	Series 10	
21	NLA	EXTRUSION, CONTROL (UPR)	1	Series 10	
22	215506	SCREW, EXTRUSION & FRONT	2	Series 10	
22	315489	SCREW, EXTRUSION	3	Series 10	
23	33001486	PANEL, FASTENER	4	Series 10	
23	33001614	PLUG, FRONT PANEL (WHT)	1	Series 10	
23	33001615	(ALM)	-	Series 10	
23	NLA	PANEL, FRONT (LWR-WHT)	1	Series 10	
24	215506	SCREW, EXTRUSION SUPPORT -	4	Series 10	

Ref #	Part #	Description	Qty	Context Note	MSRP
25	314627	BRACKET, RELAY	1	Series 10	
25	Y310632	SCREW, BRACKET	2	Series 10	
26	206421	RELAY, MOTOR	-	Series 10	
26	206824	RELAY, MOTOR	2	Series 10	
26	Y251119	SCREW, RELAY	2	Series 10	

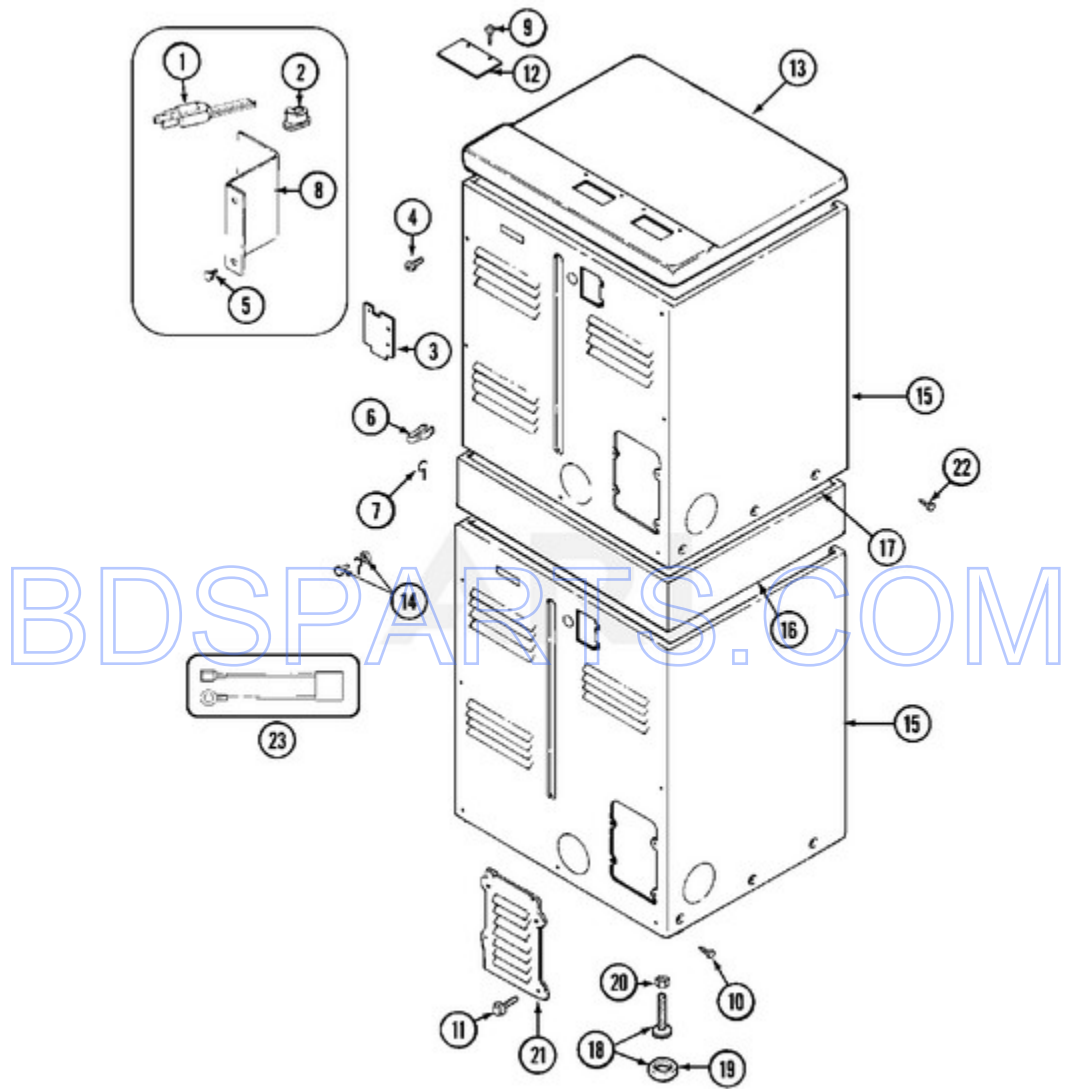
BDSPARTS.COM

MDG13PDAAW - 03 - DOOR



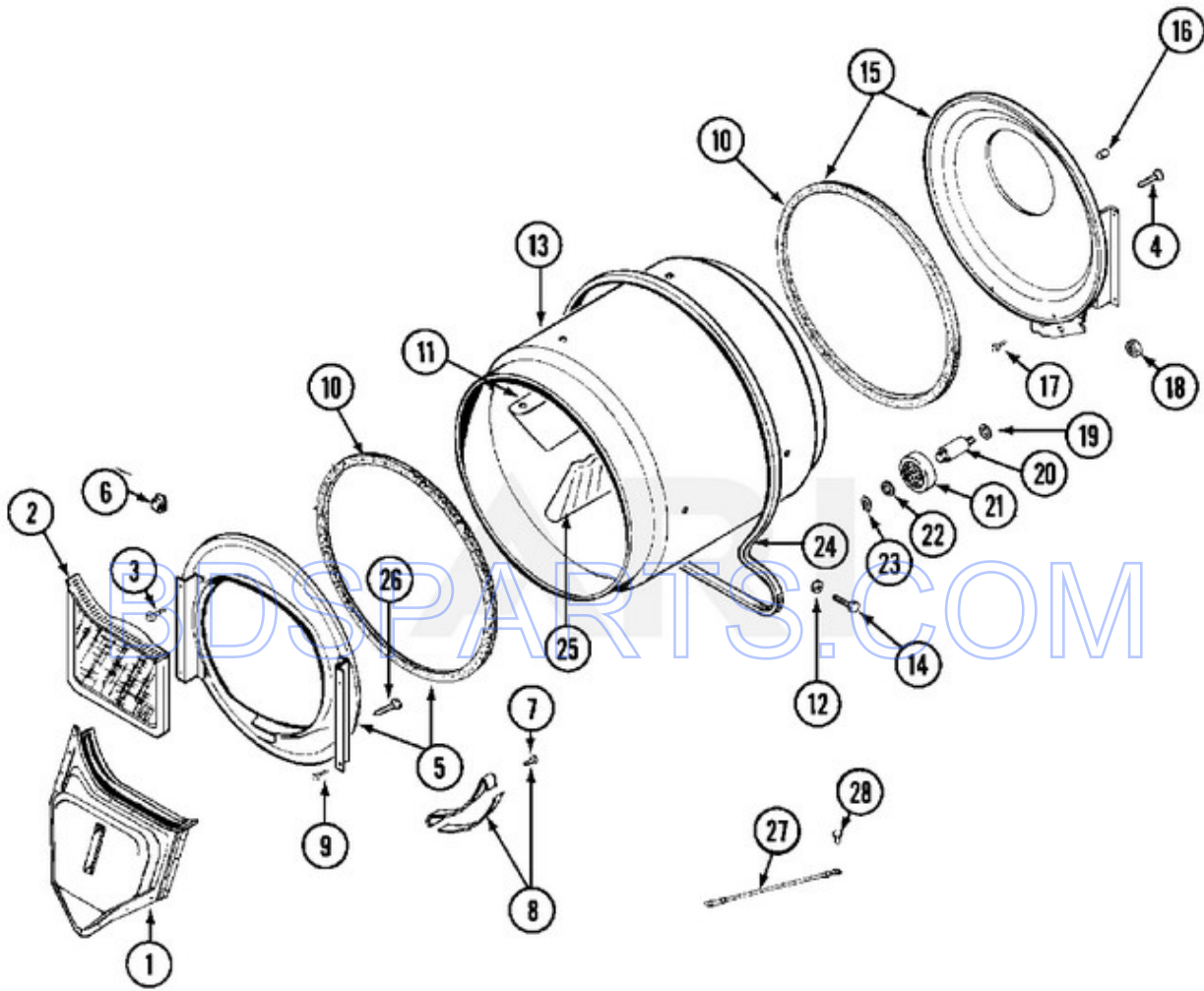
Ref #	Part #	Description	Qty	Context Note	MSRP
1	Y314062	SCREW	28	Series 10	
2	33001230	HINGE, DOOR	4	Series 10	
3	314967	PANEL, OUTER DOOR (WHT)	2	Series 10	
3	NLA	(ALM)	-	Series 10	
4	314939	HANDLE, DOOR (WHT)	2	Series 10	
4	314974	(ALM)	-	Series 10	
5	33001192	SEAL, DOOR	2	Series 10	
6	33001305	STRIKE, DOOR (W/BRACKET)	2	Series 10	
7	Y304578	CATCH, DOOR	2	Series 10	
8	212982	FASTENER, SPRING	4	Series 10	
9	Y310376	CLIP, CABLE	6	Series 10	
10	33001420	SWITCH, DOOR	2	Series 10	
11	314937	SEAL, FRONT PANEL	2	Series 10	
12	NLA	CLIP, HINGE SCREW	4	Series 10	
12	NLA	SCREW, PLASTIC	4	Series 10	
13	33001447	(UPR-WHT)	1	Series 10	
13	33001486	PANEL, FASTENER	8	Series 10	
13	NLA	PANEL, FRONT (UPR-ALM)	-	Series 10	
14	NLA	PLUG, DOOR CATCH	2	Series 10	
15	33001175	COVER, HINGE HOLE (WHT)	4	Series 10	
15	33001176	(ALM)	4	Series 10	
16	Y313910	CLIP, INNER DOOR SCREW	18	Series 10	
17	22001496	SCREW, FRONT PANEL	2	Series 10	
18	33001203	PANEL, CLEAR INNER (W/SEAL)	2	Series 10	
19	33001614	PLUG, FRONT PANEL (WHT)	1	Series 10	
19	33001615	(ALM)	-	Series 10	
20	315489	SCREW, SIGHT HOLE	2	Series 10	

MDG13PDAAW - 04 - REAR



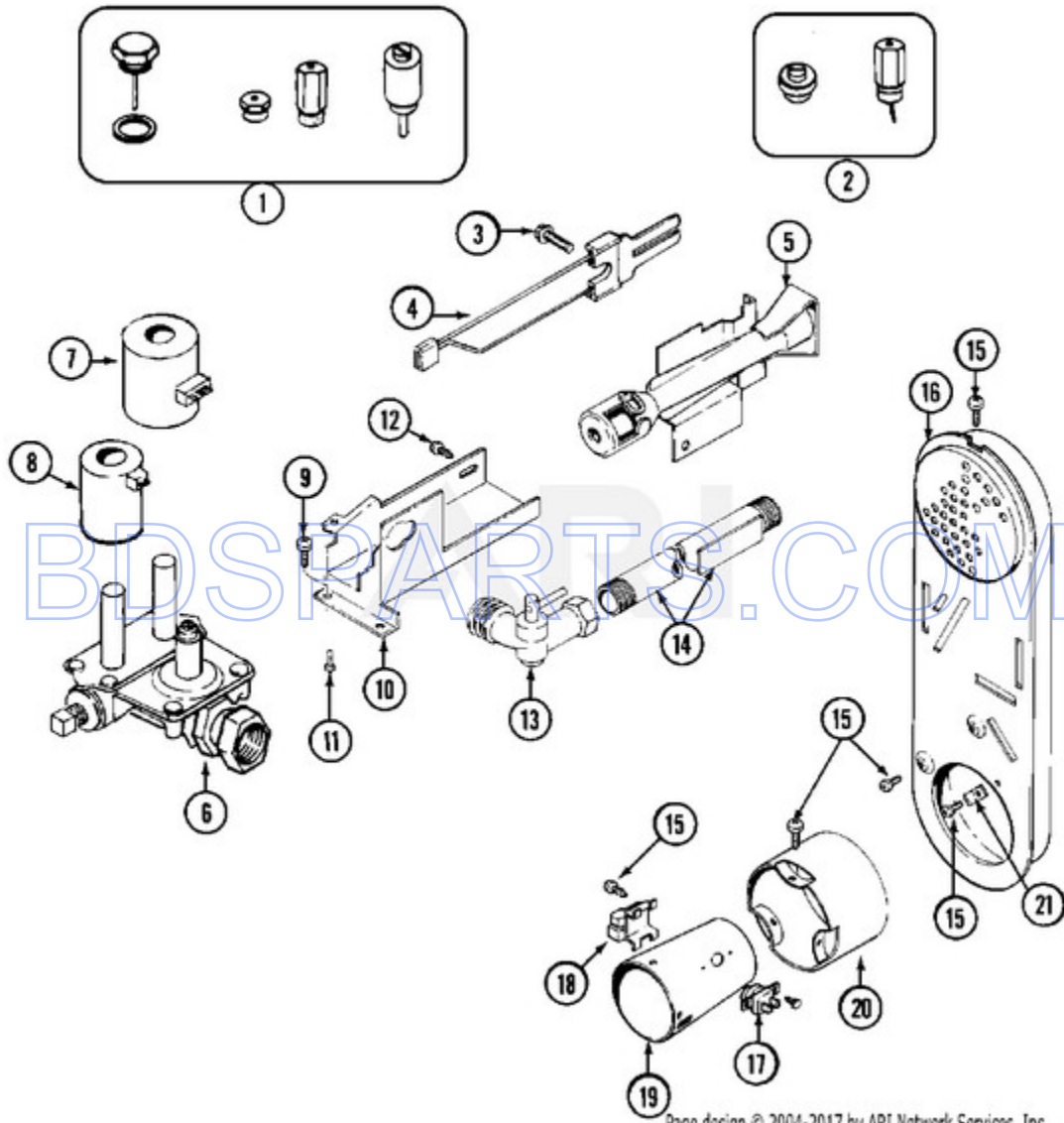
Ref #	Part #	Description	Qty	Context	Note	MSRP
1	308966	CORD, POWER	-	Series	10	
1	311484	NUT, TERMINAL CONNECTION	3	Series	10	
1	33001246	CORD, POWER	2	Series	10	
1	Y311270	WASHER, TERMINAL CONNECTION	3	Series	10	
2	211881	GROMMET, POWER CORD	2	Series	10	
2	33001716	GROMMET, POWER CORD	-	Series	10	
3	Y312905	COVER, TERMINAL	2	Series	10	
4	Y313561	SCREW, TERMINAL COVER	8	Series	10	
5	Y312209	SCREW, TERMINAL BRACKET	2	Series	10	
6	301548	CLAMP, GROUND (W/SCREW)	1	Series	10	
6	313122	SCREW, CLAMP	1	Series	10	
7	311155	WIRE, GROUND	1	Series	10	
8	Y312904	BRACKET, TERMINAL	1	Series	10	
9	Y313559	SCREW, TOP COVER PLATE	2	Series	10	
10	213007	SCREW, CABINET SIDE	12	Series	10	
11	216423	SCREW, ACCESS COVER (FOUR EACH PANEL)	8	Series	10	
12	NLA	PLATE, TOP COVER	2	Series	10	
13	NLA	COVER, TOP (WHT)	1	Series	10	
14	NLA	SCREW & WASHER ASSEMBLY	1	Series	10	
15	NLA	CABINET (LWR-WHT)	1	Series	10	
15	Y310632	SCREW, CABINET	4	Series	10	
16	NLA	SUPPORT ASSEMBLY (WHT)	1	Series	10	
17	310933	FASTENER, SPACER ASSEMBLY	2	Series	10	
18	Y302699	LEG, ADJUSTABLE (W/NUT)---S	4	Series	10	
19	210684	FOOT, RUBBER	4	Series	10	
20	210385	NUT, ADJUSTABLE LEG	4	Series	10	
21	Y312951	COVER, ACCESS	2	Series	10	
22	NLA	SCREW, SUPPORT	1	Series	10	
22	Y310632	SCREW, SUPPORT	5	Series	10	
23	NLA	SURGE SUPPRESSOR KIT	2	Series	10	
23	NLA	WIRE HARNESS, TORROID----NA	2	Series	10	

MDG13PDAAW - 05 - TUMBLER



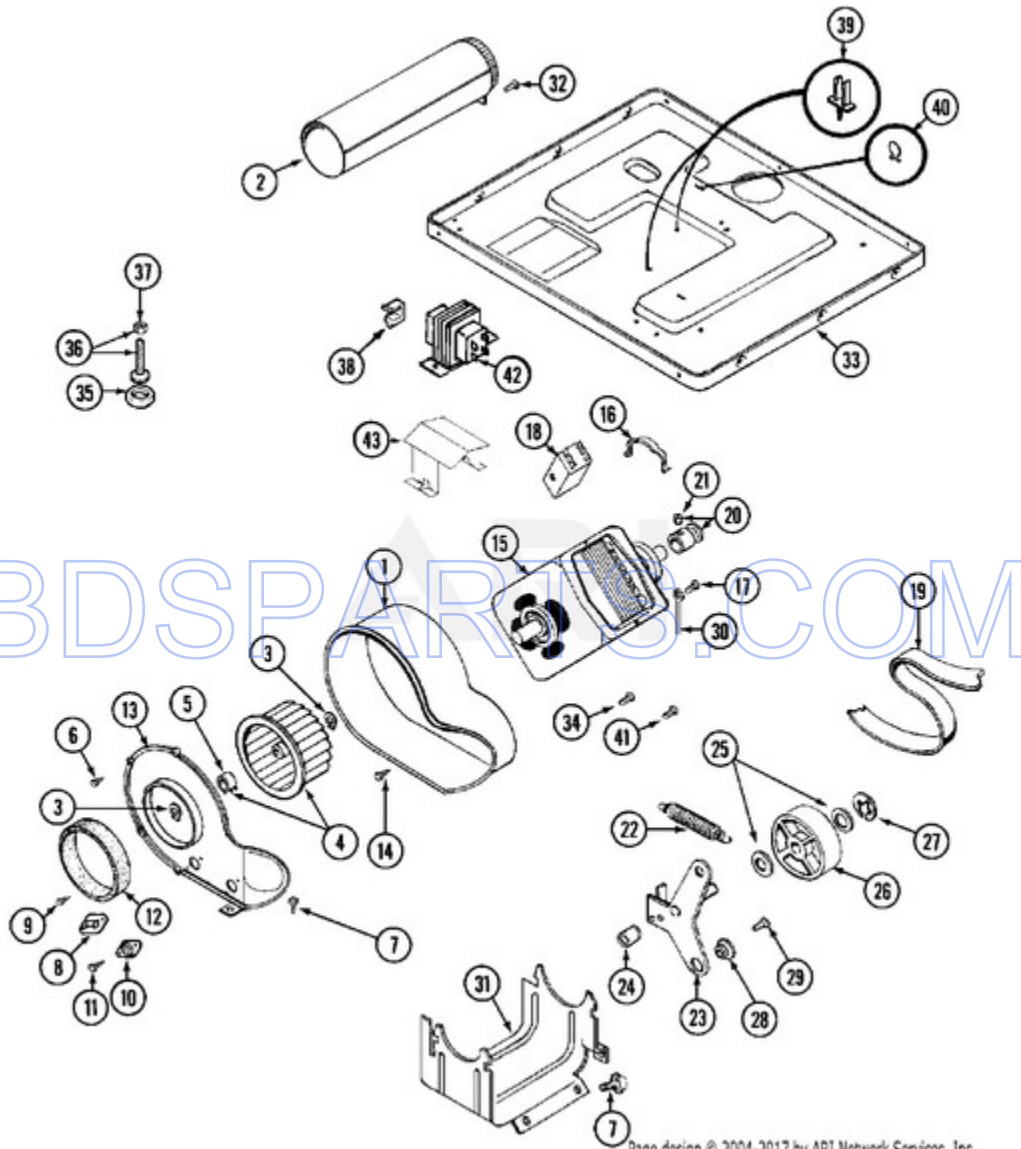
Ref #	Part #	Description	Qty	Context Note	MSRP
001	33001016	OUTLET DUCT ASSEMBLY	2	Series A0	
002	33001170	FILTER, LINT	2	Series A0	
003	NLA	SCREW, TUMBLER SUPPORT	8	Series A0	
004	Y313561	SCREW, TUMBLER FRONT & BACK	4	Series A0	
005	33001179	FRONT, TUMBLER (W/SEAL)	2	Series A0	
006	Y310376	CLIP, CABLE	2	Series A0	
007	210720	RIVET	8	Series A0	
008	306508	TUMBLER BEARING KIT ----W	4	Series A0	
009	Y310632	SCREW, TUMBLER FRONT	6	Series A0	
010	314820	SEAL, TUMBLER	4	Series A0	
011	33001012	BAFFLE (SHORT)	2	Series A0	
012	314158	WASHER, BAFFLE SCREW	12	Series A0	
013	33001108	DRYER TUMBLER, W/O BAFFLES	2	Series A0	
014	Y310759	SCREW, TUMBLER BAFFLE	12	Series A0	
015	33001178	BACK, TUMBLER (W/SEAL)	2	Series A0	
016	NLA	COVER, THREAD	8	Series A0	
017	Y310632	SCREW, TUMBLER BACK	6	Series A0	
018	312538	NUT, ROLLER SHAFT	4	Series A0	
19	Y313347	WASHER, SPRING (ROLLER SFT)	4	Series A0	
20	Y312948	SHAFT, TUMBLER ROLLER----C	4	Series A0	
21	Y303373	ROLLER (W/BEARING)	4	Series A0	
22	312535	WASHER, ROLLER SHAFT	4	Series A0	
23	410233	RING, RETAINING	4	Series A0	
024	Y312959	BELT, DRUM	2	Series A0	
025	33001004	BAFFLE, TALL	4	Series A0	
026	Y314110	SCREW, OUTLET DUCT	8	Series A0	
27	901220	GROUND WIRE	2	Series A0	
28	910343	SCREW, GROUND WIRE	2	Series A0	

MDG13PDAAW - 06 - GAS VALVE



Ref #	Part #	Description	Qty	Context Note	MSRP
1	Y308378	CONVERSION KIT (NAT TO LP)	2	Series 10	
2	Y308377	CONVERSION KIT (LP TO NAT.)	2	Series 10	
3	304971	SCREW, IGNITER	2	Series 10	
4	304970	IGNITER ASSEMBLY	2	Series 10	
5	33001247	BURNER ASSEMBLY	2	Series 10	
6	307927	VALVE, GAS	-	Series 10	
6	308345	VALVE, GAS	2	Series 10	
7	306106	COIL, HOLDING & BOOSTER--W	2	Series 10	
7	Y307931	COIL, HOLDING & BOOSTER	-	Series 10	
8	306105	COIL, SECONDARY--W	2	Series 10	
8	307930	COIL, SECONDARY	-	Series 10	
9	Y313561	SCREW, GAS VALVE ASSEMBLY	2	Series 10	
10	314566	BRACKET, GAS VALVE	2	Series 10	
11	Y313559	SCREW, GAS VALVE ASSEMBLY	2	Series 10	
12	314082	SCREW, GAS VALVE	2	Series 10	
12	314568	SCREW, GAS VALVE	2	Series 10	
13	Y303349	SHUT-OFF, GAS VALVE	2	Series 10	
14	Y303383	PIPE & BRACKET ASSEMBLY	2	Series 10	
15	211294	SCREW, DUCT, CONE & SENSOR	28	Series 10	
16	Y308504	INLET DUCT ASSEMBLY	2	Series 10	
17	303395	THERMOSTAT, HI-LIMIT (GAS)	-	Series 10	
17	305169	THERMOSTAT, HI-LIMIT GAS	2	Series 10	
18	Y303377	SENSOR, RADIANT	2	Series 10	
19	NLA	COMBUSTION CONE ASSEMBLY	-	Series 10	
19	Y308548	COMBUSTION CONE ASSEMBLY	2	Series 10	
20	NLA	EXTENSION, CONE (W/SCREWS)	-	Series 10	
20	Y303841	EXTENSION, CONE (W/SCREWS)	2	Series 10	
21	Y312890	RETAINER, HEATER CHAMBER	2	Series 10	

MDG13PDAAW - 07 - MOTOR DRIVE



Ref #	Part #	Description	Qty	Context	Note	MSRP
1	Y312893	HOUSING, BLOWER	2	Series	10	
2	Y303442	EXHAUST DUCT ASSEMBLY	2	Series	10	
3	410233	RING, RETAINING	4	Series	10	
4	Y303836	BLOWER WHEEL ASSEMBLY	2	Series	10	
5	312967	CLAMP, BLOWER WHEEL	2	Series	10	
6	Y312961	SCREW, HOUSING COVER	12	Series	10	
7	Y313561	SCREW, HOUSING COVER BRKT	6	Series	10	
8	307208	THERMISTOR, TEMP. CONTROL	2	Series	10	
8	902577	CAPACITOR, THERMOSTAT	1	Series	10	
8	Y303391	THERMOSTAT, CYCLING	2	Series	10	
9	211294	SCREW, THERMOSTAT	5	Series	10	
10	306604	CUT-OFF, THERMAL	2	Series	10	
11	NLA	SCREW, THERMAL CUT-OFF	4	Series	10	
12	Y312901	SEAL, HOUSING COVER	2	Series	10	
13	314778	COVER, BLOWER HOUSING	2	Series	10	
14	314818	SCREW, BLOWER HOUSING	8	Series	10	
15	Y303358	MOTOR	2	Series	10	
15	Y304656	MOTOR	-	Series	10	
16	Y015825	CLIP, MOTOR	4	Series	10	
17	910343	SCREW, GROUND WIRE	2	Series	10	
18	306207	(PROD. No. 303358-8 & 303358-9)				
18	NLA	SWITCH, MOTOR EXTERNAL START	2	Series	10	
18	Y303877	SWITCH, MOTOR EXTERNAL START (PROD. No. 303358-2, 303358-4)	2	Series	10	
18	Y303879	SWITCH, MOTOR EXTERNAL START (PROD. No. 303358 & 303358-6)	2	Series	10	
19	Y312959	BELT, TUMBLER	2	Series	10	
20	305186	PULLEY, MOTOR (W/SET SCREW)	-	Series	10	
20	Y305185	PULLEY, MOTOR (W/SET SCREW)	2	Series	10	
21	Y053241	SCREW, SET	2	Series	10	
22	Y303945	IDLER SPRING ASSEMBLY	2	Series	10	
23	Y303363	IDLER ARM & SHAFT ASSEMBLY	2	Series	10	
24	Y313582	SPACER, IDLER BRACKET	2	Series	10	
25	Y312527	WASHER, IDLER SHAFT (QTY-1)	4	Series	10	
26	Y303705	PULLEY, IDLER	2	Series	10	
27	312958	RING, RETAINING	2	Series	10	
28	Y312894	SLEEVE, IDLER ARM ----S	2	Series	10	
29	Y014874	SCREW, IDLER ARM	2	Series	10	
30	901220	GROUND WIRE	2	Series	10	
31	NLA	SUPPORT, MOTOR	2	Series	10	

Ref #	Part #	Description	Qty	Context	Note	MSRP
32	Y310632	SCREW, EXHAUST DUCT	2	Series	10	
33	306261	BASE ASSEMBLY (UPR)	1	Series	10	
33	306530	(LWR)	1	Series	10	
34	211294	SCREW, GROUND WIRE	2	Series	10	
35	210684	FOOT, RUBBER	4	Series	10	
36	Y302699	LEG, ADJUSTABLE (W/NUT)---S	4	Series	10	
37	210385	NUT, ADJUSTABLE LEG	4	Series	10	
38	Y310376	CLIP, CABLE	6	Series	10	
39	315471	RETAINER, WIRE HARNESS	6	Series	10	
40	410490	SPRING, WIRE HARNESS	5	Series	10	
41	Y312961	SCREW, SPACER	2	Series	10	
42	307928	TRANSFORMER (240V 50HZ)	-	Series	10	
42	33001205	TRANSFORMER	1	Series	10	
43	211294	SCREW, TRANSFORMER	1	Series	10	
43	315218	SHIELD, TRANSFORMER	1	Series	10	
43	Y313559	SCREW, TRANSFORMER	-	Series	10	