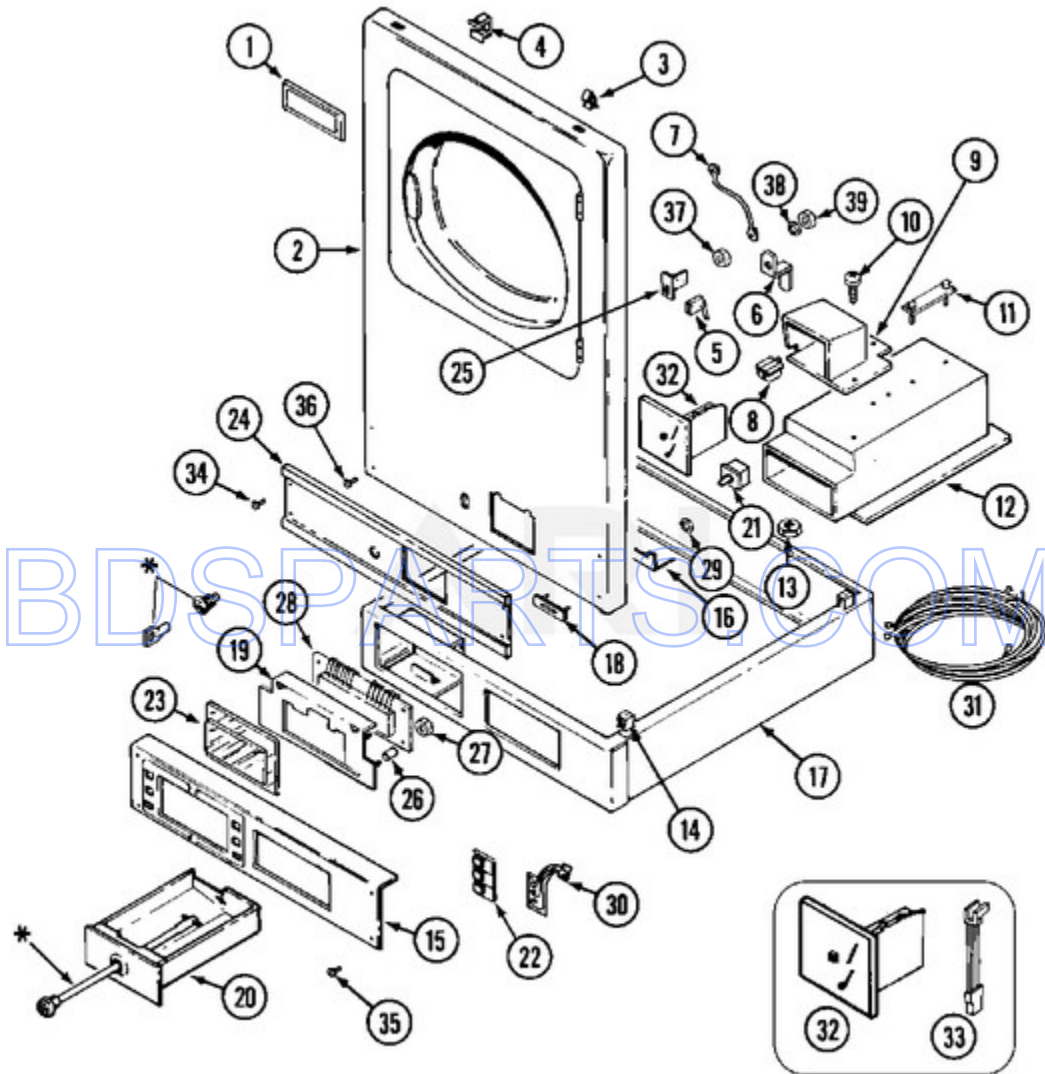


MDG13PDBAW - 01 - CONTROLS & UPPER PANEL

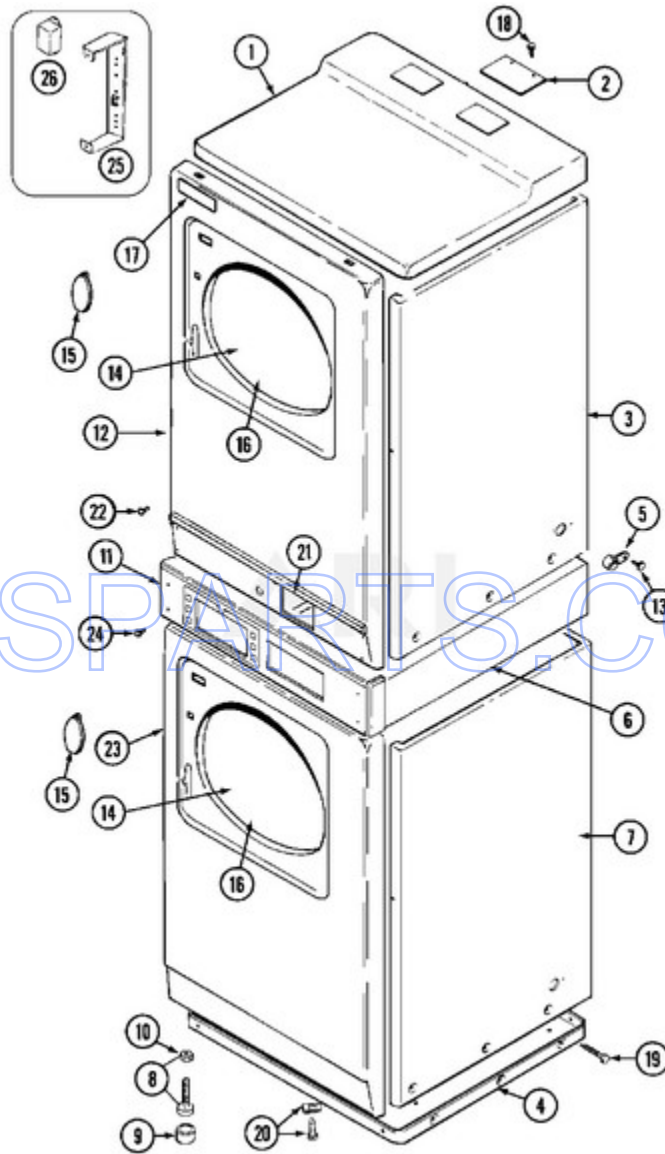


***Contact Your Commercial Distributor for Locks & Keys**
Page design © 2004-2017 by AKI Network Services, Inc.

Ref #	Part #	Description	Qty	Context	Note	MSRP
1	33001711	NAMEPLATE	1	Series	10	
2	33001447	(UPR-WHT)	1	Series	10	
2	33001486	PANEL, FASTENER	4	Series	10	
2	NLA	PANEL, FRONT (UPR-ALM)	-	Series	10	
3	212982	FASTENER, PANEL	2	Series	10	
4	Y310376	CLIP, FASTENER	2	Series	10	
5	912012	SCREW, SWITCH	2	Series	10	
5	Y306232	SWITCH, ACCESS	1	Series	10	
6	314625	CAM, LOCKING	1	Series	10	
7	211294	SCREW, GROUND WIRE	1	Series	10	
7	Y306712	GROUND WIRE, LOCK	1	Series	10	
8	314635	CHUTE, COIN	1	Series	10	
9	NLA	COVER, COIN DROP	1	Series	10	
10	314654	BOLT, COIN DROP COVER	2	Series	10	
11	22001810	STRAP, MOUNTING	1	Series	10	
11	NLA	LOCKWASHER, MOUNTING STRAP	2	Series	10	
12	910387	LOCKWASHER, VAULT ASSEMBLY	1	Series	10	
12	NLA	VAULT ASSEMBLY (WHT)	1	Series	10	
13	NLA	LOCKWASHER, COVER BOLT	2	Series	10	
13	Y052740	NUT, MOUNTING STRAP	4	Series	10	
14	310933	CLIP, SUPPORT ASSEMBLY	4	Series	10	
15	NLA	EXTRUSION, CONTROL (LWR)	1	Series	10	
16	Y313561	SCREW, BRACKET	1	Series	10	
16	314631	BRACKET, COIN DROP	1	Series	10	
16	Y310632	SCREW, BRACKET	1	Series	10	
17	NLA	SUPPORT ASSEMBLY (WHT)	1	Series	10	
18	306233	STRAP, COIN ACCEPTOR	1	Series	10	
19	33001201	PLATE, CONTROL MOUNTING	1	Series	10	
19	910186	SCREW, PLATE	3	Series	10	
20	308143	TRAY, COIN (WHT)	1	Series	10	
20	308143L	(ALM)	-	Series	10	
21	33001250	SWITCH, VAULT & SERVICE DOOR	1	Series	10	
22	33001156	BUTTON, PUSH	2	Series	10	
23	33001209	COVER, DISPLAY	1	Series	10	
24	NLA	EXTRUSION, CONTROL (UPR)	1	Series	10	
25	211168	SCREW, BRACKET	2	Series	10	
25	314634	BRACKET, ACCESS SWITCH	1	Series	10	
26	33001204	STAND-OFF, CONTROL BOARD	4	Series	10	
27	912077	NUT, CONTROL BOARD	4	Series	10	

Ref #	Part #	Description	Qty	Context	Note	MSRP
28	33001747	CIRCUIT BOARD ASSEMBLY	1	Series	10	
29	Y052659	NUT, COIN DROP	2	Series	10	
30	33001200	SWITCH, MEMBRANE -	2	Series	10	
31	314522	GROMMET, STRAIN RELIEF	1	Series	10	
31	33001404	WIRE HARNESS, MAIN (UPR)	-	Series	10	
31	33001405	(LWR)	-	Series	10	
31	33001407	(LWR)	1	Series	10	
31	910768	STRAP, HARNESS	1	Series	10	
31	NLA	WIRE HARNESS, MAIN (UPR)	1	Series	10	
32	308121	REJECTOR ASSEMBLY (25 CENTS)	1	Series	10	
32	Y308123	(CAN-25 CENTS)	-	Series	10	
33	315427	SCREW, SWITCH ASSEMBLY	1	Series	10	
33	33001025	OPTIC SWITCH ASSEMBLY	1	Series	10	
34	215506	SCREW, EXTRUSION	2	Series	10	
34	315489	SCREW, FRONT PANEL	3	Series	10	
35	215506	SCREW, EXTRUSION (LWR)	4	Series	10	
36	314666	SCREW, PANEL (UPR)	2	Series	10	
36	NLA	CLIP, CABINET SCREW	2	Series	10	
37	212328	NUT, LOCK	1	Series	10	
38	22001354	WASHER, LOCK	1	Series	10	
39	22001355	NUT, LOCK	1	Series	10	

MDG13PDBAW - 02 - FRONT

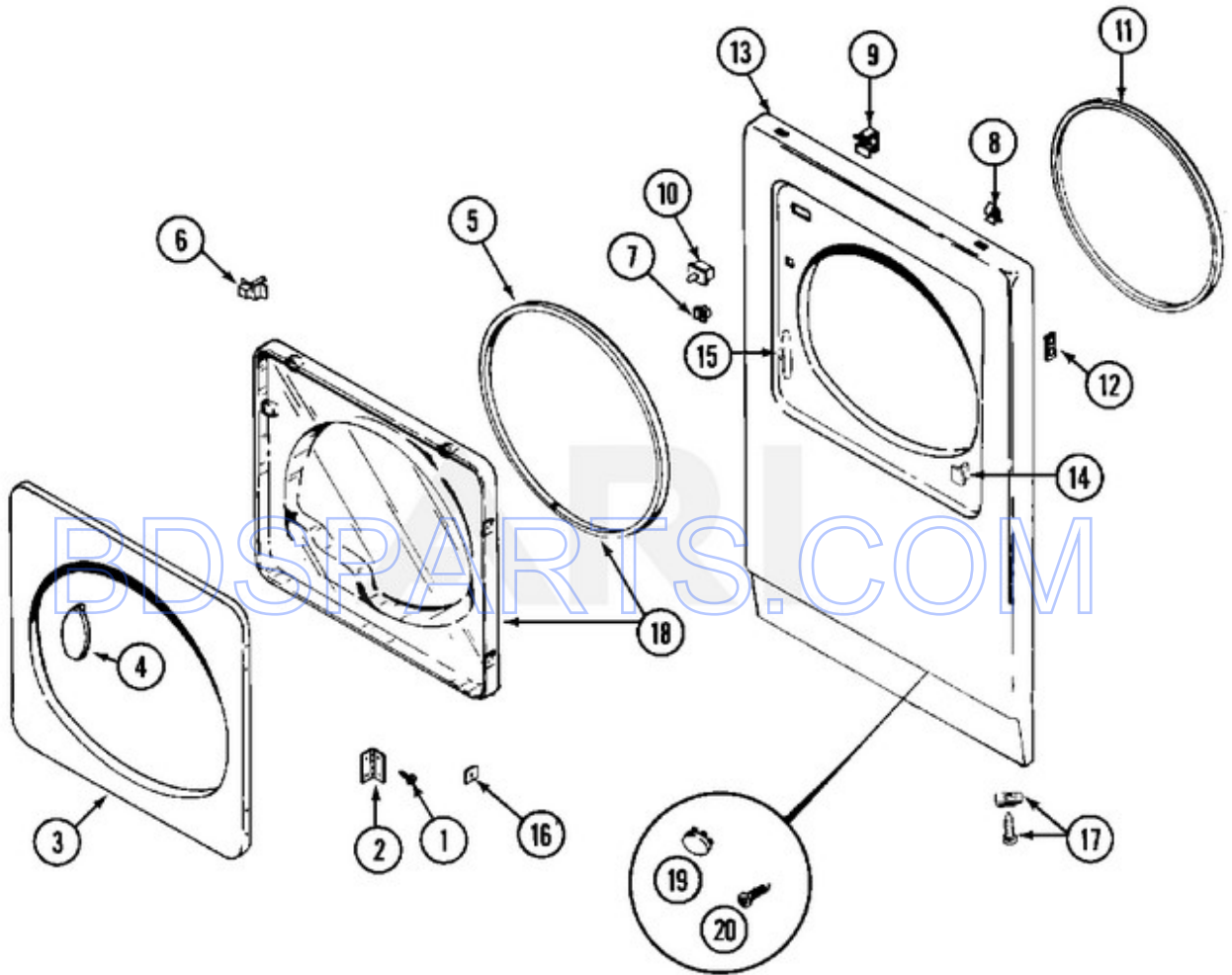


Ref #	Part #	Description	Qty	Context Note	MSRP
1	NLA	COVER, TOP (WHT)	1	Series 10	
2	NLA	PLATE, COVER	2	Series 10	
3	NLA	CABINET (UPR-WHT)	1	Series 10	
4	306261	BASE ASSEMBLY (UPR)	1	Series 10	
4	306530	(LWR)	1	Series 10	
5	910768	STOP, CABLE	2	Series 10	
6	310933	CLIP, SPACER ASSEMBLY	4	Series 10	
6	314663	SCREW, SUPPORT	2	Series 10	
6	911050	SCREW, SUPPORT	1	Series 10	
6	NLA	SUPPORT ASSEMBLY (WHT)	1	Series 10	
6	Y310632	SCREW, SUPPORT	5	Series 10	
7	NLA	CABINET (LWR-WHT)	1	Series 10	
8	Y302699	LEG, ADJUSTABLE (W/NUT)---S	4	Series 10	
9	210684	FOOT, RUBBER	4	Series 10	
10	210385	NUT, ADJUSTABLE LEG	4	Series 10	
11	NLA	EXTRUSION, CONTROL (LWR)	1	Series 10	
12	314666	SCREW, PANEL (UPR)	2	Series 10	
12	33001447	(UPR-WHT)	1	Series 10	
12	33001486	PANEL, FASTENER	4	Series 10	
12	NLA	PANEL, FRONT (UPR-ALM)	-	Series 10	
12	NLA	CLIP, CABINET SCREW	2	Series 10	
13	211168	SCREW, CABLE STOP	2	Series 10	
14	33001203	PANEL, CLEAR INNER (W/SEAL)	2	Series 10	
15	314939	HANDLE, DOOR (WHT)	2	Series 10	
15	314974	(ALM)	2	Series 10	
16	314967	PANEL, OUTER DOOR (WHT)	2	Series 10	
16	NLA	(ALM)	2	Series 10	
17	33001711	NAMEPLATE	1	Series 10	
18	Y313559	SCREW, COVER PLATE	2	Series 10	
19	213007	SCREW, CABINET SIDES	12	Series 10	
20	22001496	SCREW, FRONT PANEL	4	Series 10	
21	NLA	EXTRUSION, CONTROL (UPR)	1	Series 10	
22	215506	SCREW, EXTRUSION & FRONT	2	Series 10	
22	315489	SCREW, EXTRUSION	3	Series 10	
23	33001486	PANEL, FASTENER	4	Series 10	
23	33001614	PLUG, FRONT PANEL (WHT)	1	Series 10	
23	33001615	(ALM)	-	Series 10	
23	NLA	PANEL, FRONT (LWR-WHT)	1	Series 10	
24	215506	SCREW, EXTRUSION SUPPORT -	4	Series 10	

Ref #	Part #	Description	Qty	Context Note	MSRP
25	314627	BRACKET, RELAY	1	Series 10	
25	Y310632	SCREW, BRACKET	2	Series 10	
26	206421	RELAY, MOTOR	-	Series 10	
26	206824	RELAY, MOTOR	2	Series 10	
26	Y251119	SCREW, RELAY	2	Series 10	

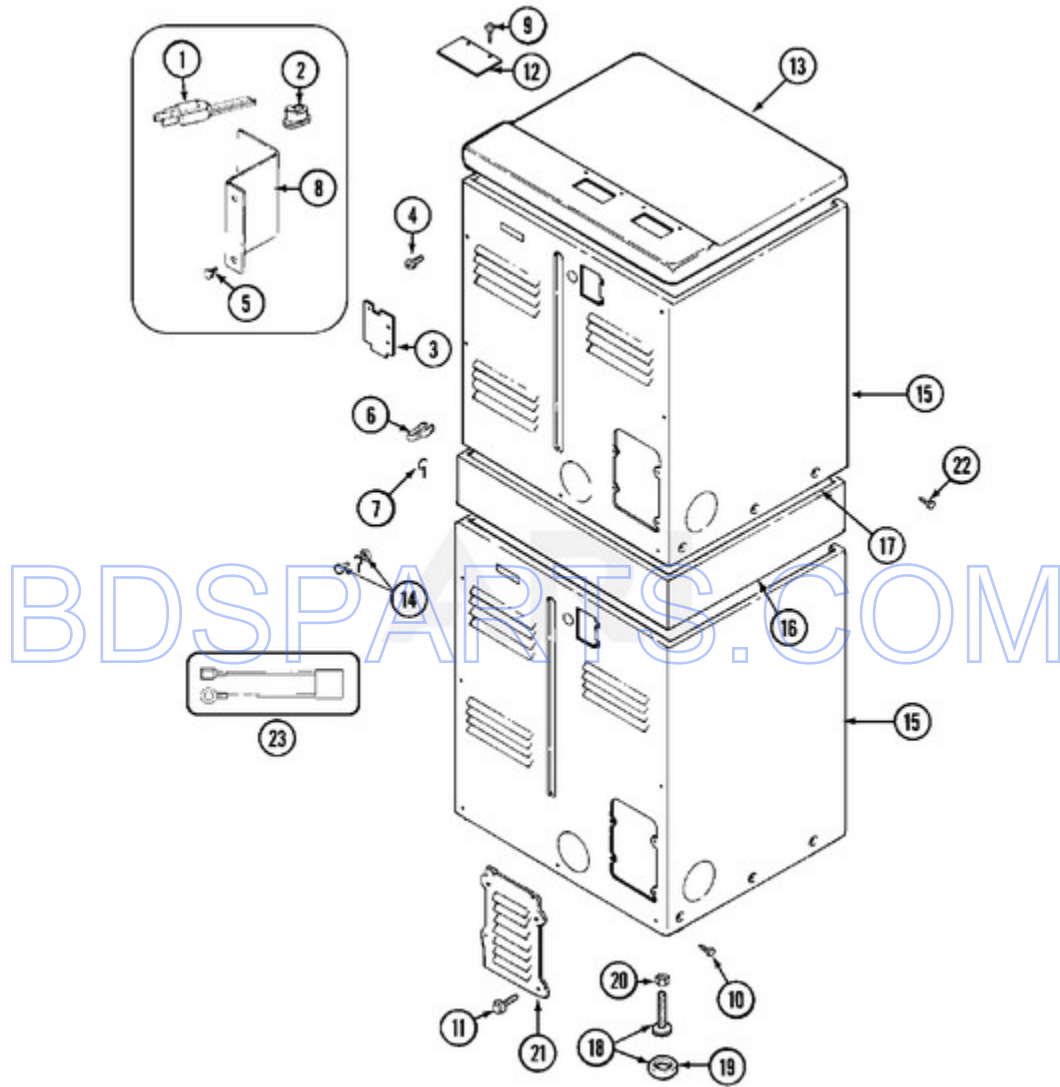
BDSPARTS.COM

MDG13PDBAW - 03 - DOOR



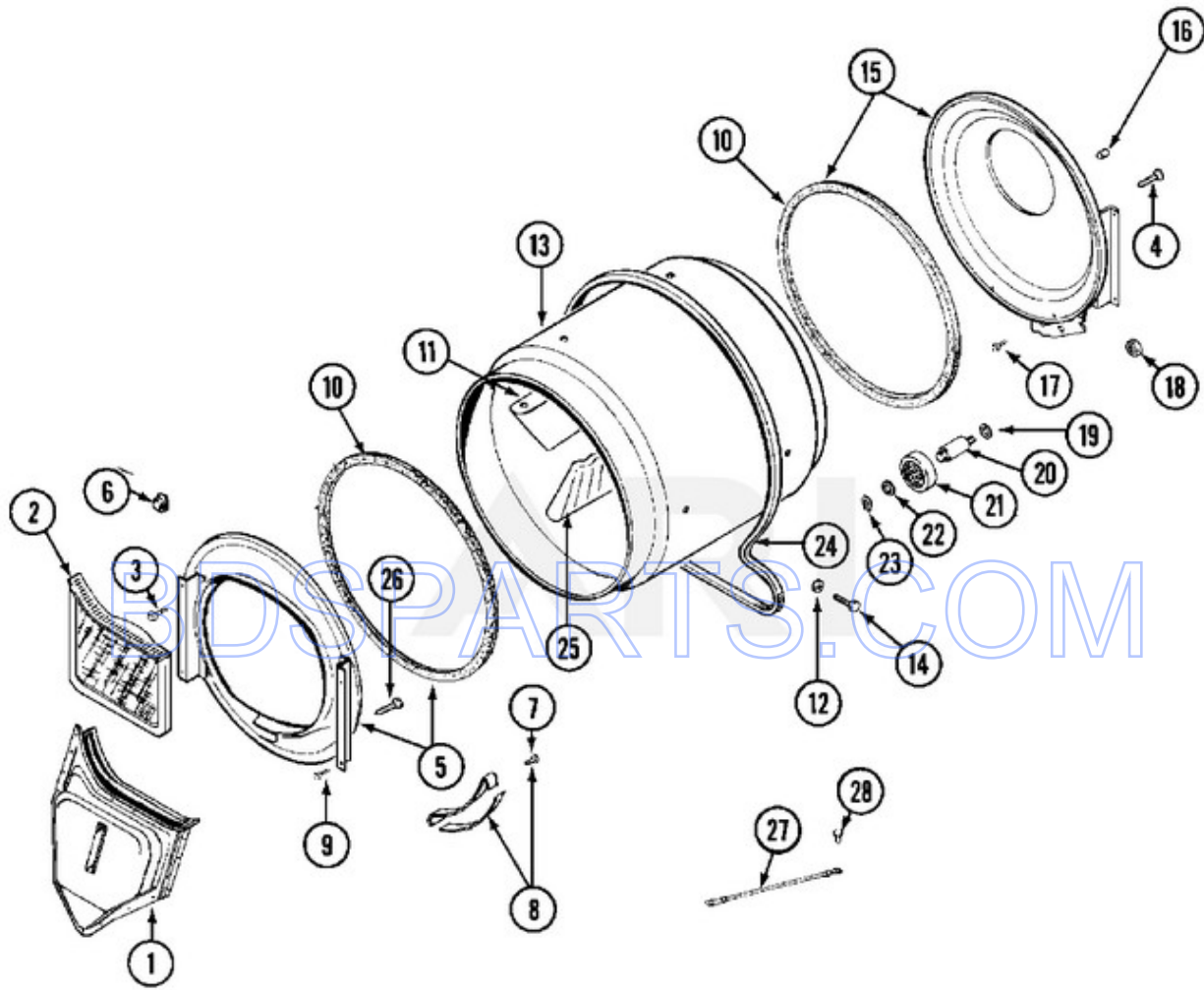
Ref #	Part #	Description	Qty	Context Note	MSRP
1	Y314062	SCREW	28	Series 10	
2	33001230	HINGE, DOOR	4	Series 10	
3	314967	PANEL, OUTER DOOR (WHT)	2	Series 10	
3	NLA	(ALM)	-	Series 10	
4	314939	HANDLE, DOOR (WHT)	2	Series 10	
4	314974	(ALM)	-	Series 10	
5	33001192	SEAL, DOOR	2	Series 10	
6	33001305	STRIKE, DOOR (W/BRACKET)	2	Series 10	
7	Y304578	CATCH, DOOR	2	Series 10	
8	212982	FASTENER, SPRING	4	Series 10	
9	Y310376	CLIP, CABLE	6	Series 10	
10	33001420	SWITCH, DOOR	2	Series 10	
11	314937	SEAL, FRONT PANEL	2	Series 10	
12	NLA	CLIP, HINGE SCREW	4	Series 10	
12	NLA	SCREW, PLASTIC	4	Series 10	
13	33001447	(UPR-WHT)	1	Series 10	
13	33001486	PANEL, FASTENER	8	Series 10	
13	NLA	PANEL, FRONT (UPR-ALM)	-	Series 10	
14	NLA	PLUG, DOOR CATCH	2	Series 10	
15	33001175	COVER, HINGE HOLE (WHT)	4	Series 10	
15	33001176	(ALM)	4	Series 10	
16	Y313910	CLIP, INNER DOOR SCREW	18	Series 10	
17	22001496	SCREW, FRONT PANEL	2	Series 10	
18	33001203	PANEL, CLEAR INNER (W/SEAL)	2	Series 10	
19	33001614	PLUG, FRONT PANEL (WHT)	1	Series 10	
19	33001615	(ALM)	-	Series 10	
20	315489	SCREW, SIGHT HOLE	2	Series 10	

MDG13PDBAW - 04 - REAR



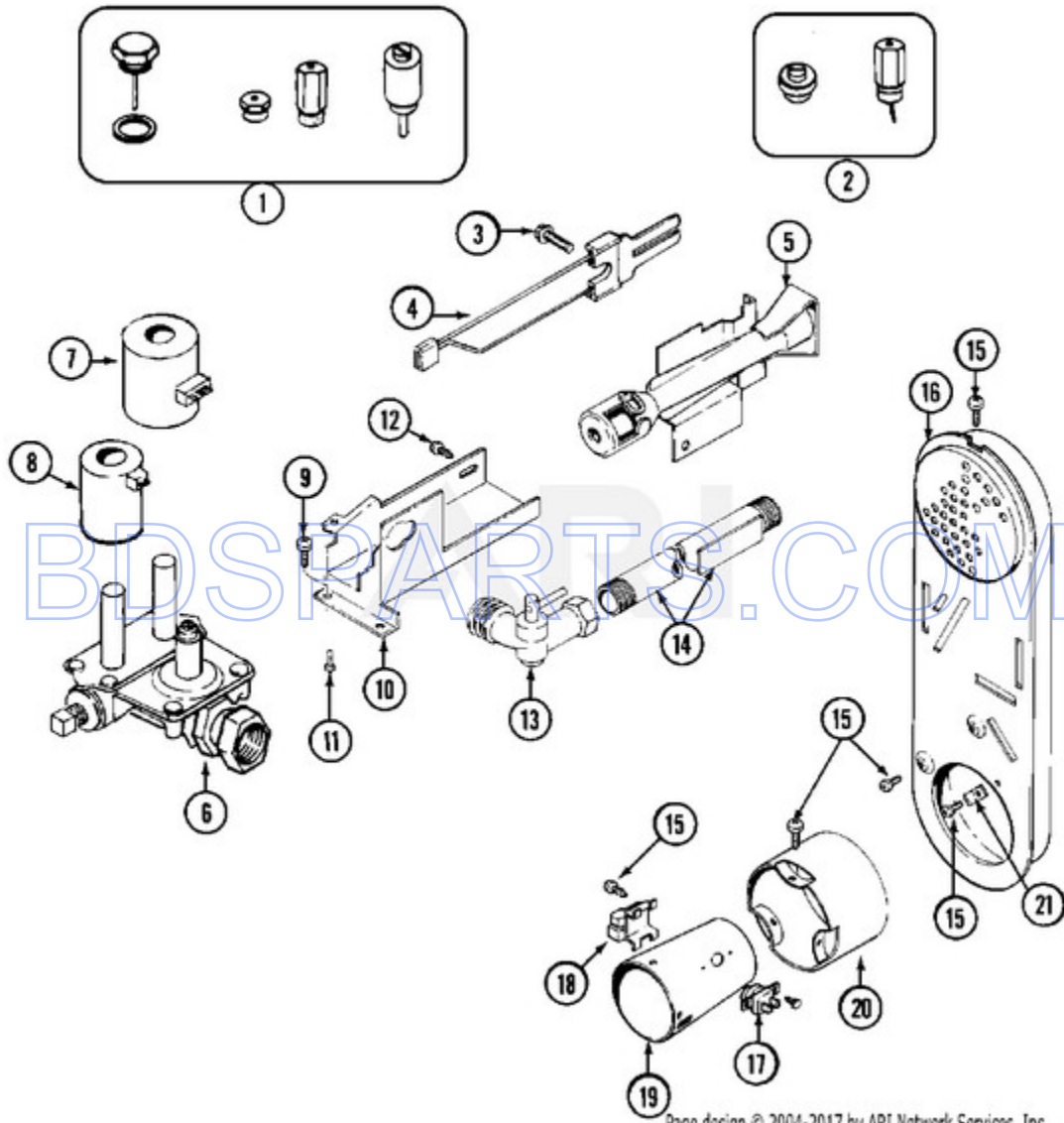
Ref #	Part #	Description	Qty	Context	Note	MSRP
1	308966	CORD, POWER	-	Series	10	
1	311484	NUT, TERMINAL CONNECTION	3	Series	10	
1	33001246	CORD, POWER	2	Series	10	
1	Y311270	WASHER, TERMINAL CONNECTION	3	Series	10	
2	211881	GROMMET, POWER CORD	2	Series	10	
2	33001716	GROMMET, POWER CORD	-	Series	10	
3	Y312905	COVER, TERMINAL	2	Series	10	
4	Y313561	SCREW, TERMINAL COVER	8	Series	10	
5	Y312209	SCREW, TERMINAL BRACKET	2	Series	10	
6	301548	CLAMP, GROUND (W/SCREW)	1	Series	10	
6	313122	SCREW, CLAMP	1	Series	10	
7	311155	WIRE, GROUND	1	Series	10	
8	Y312904	BRACKET, TERMINAL	1	Series	10	
9	Y313559	SCREW, TOP COVER PLATE	2	Series	10	
10	213007	SCREW, CABINET SIDE	12	Series	10	
11	216423	SCREW, ACCESS COVER (FOUR EACH PANEL)	8	Series	10	
12	NLA	PLATE, TOP COVER	2	Series	10	
13	NLA	COVER, TOP (WHT)	1	Series	10	
14	NLA	SCREW & WASHER ASSEMBLY	1	Series	10	
15	NLA	CABINET (LWR-WHT)	1	Series	10	
15	Y310632	SCREW, CABINET	4	Series	10	
16	NLA	SUPPORT ASSEMBLY (WHT)	1	Series	10	
17	310933	FASTENER, SPACER ASSEMBLY	2	Series	10	
18	Y302699	LEG, ADJUSTABLE (W/NUT)---S	4	Series	10	
19	210684	FOOT, RUBBER	4	Series	10	
20	210385	NUT, ADJUSTABLE LEG	4	Series	10	
21	Y312951	COVER, ACCESS	2	Series	10	
22	NLA	SCREW, SUPPORT	1	Series	10	
22	Y310632	SCREW, SUPPORT	5	Series	10	
23	NLA	SURGE SUPPRESSOR KIT	2	Series	10	
23	NLA	WIRE HARNESS, TORROID----NA	2	Series	10	

MDG13PDBAW - 05 - TUMBLER



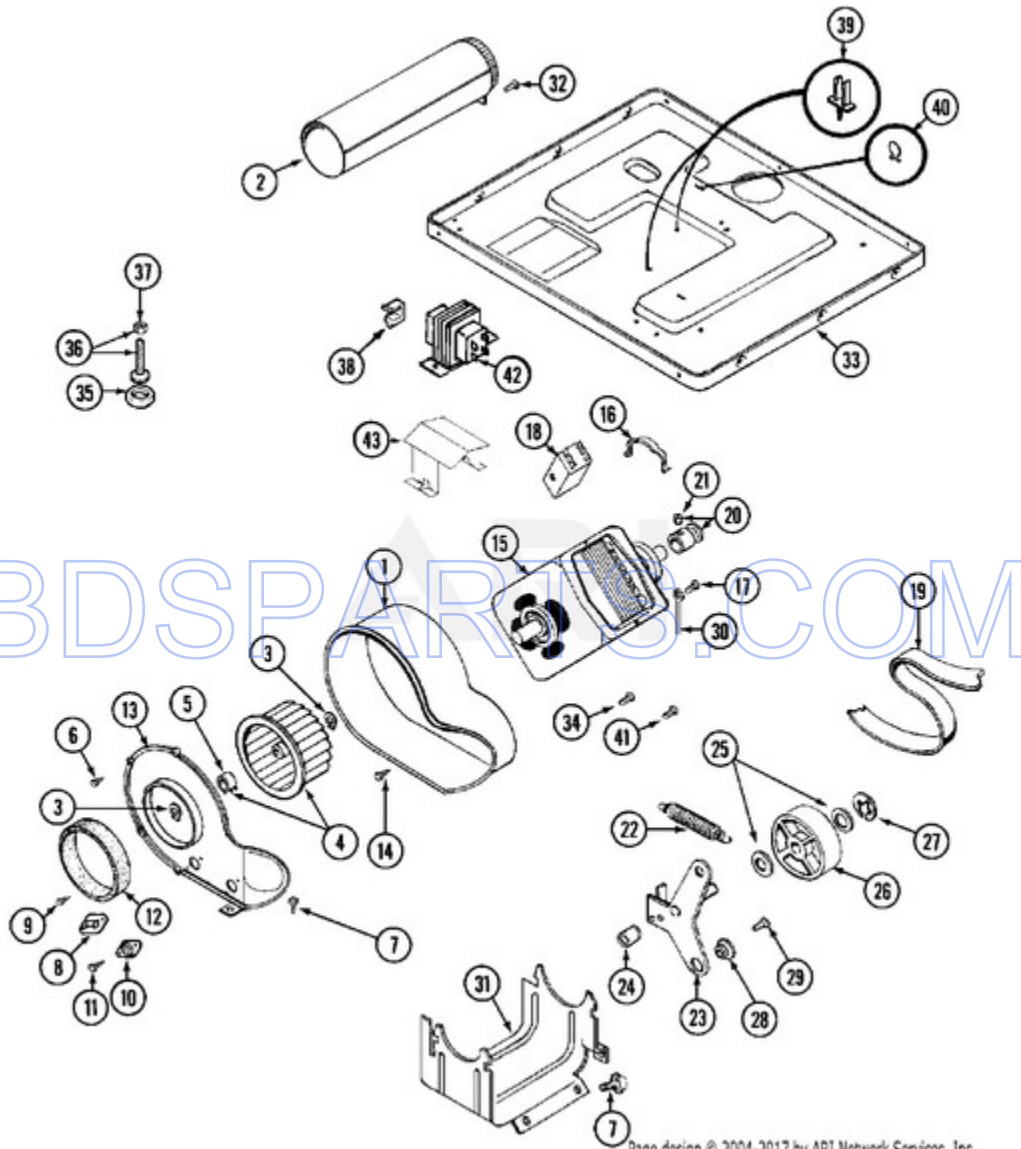
Ref #	Part #	Description	Qty	Context	Note	MSRP
001	33001016	OUTLET DUCT ASSEMBLY	2		Series A0	
002	33001170	FILTER, LINT	2		Series A0	
003	NLA	SCREW, TUMBLER SUPPORT	8		Series A0	
004	Y313561	SCREW, TUMBLER FRONT & BACK	4		Series A0	
005	33001179	FRONT, TUMBLER (W/SEAL)	2		Series A0	
006	Y310376	CLIP, CABLE	2		Series A0	
007	210720	RIVET	8		Series A0	
008	306508	TUMBLER BEARING KIT ----W	4		Series A0	
009	Y310632	SCREW, TUMBLER FRONT	6		Series A0	
010	314820	SEAL, TUMBLER	4		Series A0	
011	33001012	BAFFLE (SHORT)	2		Series A0	
012	314158	WASHER, BAFFLE SCREW	12		Series A0	
013	33001108	DRYER TUMBLER, W/O BAFFLES	2		Series A0	
014	Y310759	SCREW, TUMBLER BAFFLE	12		Series A0	
015	33001178	BACK, TUMBLER (W/SEAL)	2		Series A0	
016	NLA	COVER, THREAD	8		Series A0	
017	Y310632	SCREW, TUMBLER BACK	6		Series A0	
018	312538	NUT, ROLLER SHAFT	4		Series A0	
19	Y313347	WASHER, SPRING (ROLLER SFT)	4		Series A0	
20	Y312948	SHAFT, TUMBLER ROLLER----C	4		Series A0	
21	Y303373	ROLLER (W/BEARING)	4		Series A0	
22	312535	WASHER, ROLLER SHAFT	4		Series A0	
23	410233	RING, RETAINING	4		Series A0	
024	Y312959	BELT, DRUM	2		Series A0	
025	33001004	BAFFLE, TALL	4		Series A0	
026	Y314110	SCREW, OUTLET DUCT	8		Series A0	
27	901220	GROUND WIRE	2		Series A0	
28	910343	SCREW, GROUND WIRE	2		Series A0	

MDG13PDBAW - 06 - GAS VALVE



Ref #	Part #	Description	Qty	Context Note	MSRP
1	Y308378	CONVERSION KIT (NAT TO LP)	2	Series 10	
2	Y308377	CONVERSION KIT (LP TO NAT.)	2	Series 10	
3	304971	SCREW, IGNITER	2	Series 10	
4	304970	IGNITER ASSEMBLY	2	Series 10	
5	33001247	BURNER ASSEMBLY	2	Series 10	
6	307927	VALVE, GAS	-	Series 10	
6	308345	VALVE, GAS	2	Series 10	
7	306106	COIL, HOLDING & BOOSTER--W	2	Series 10	
7	Y307931	COIL, HOLDING & BOOSTER	-	Series 10	
8	306105	COIL, SECONDARY--W	2	Series 10	
8	307930	COIL, SECONDARY	-	Series 10	
9	Y313561	SCREW, GAS VALVE ASSEMBLY	2	Series 10	
10	314566	BRACKET, GAS VALVE	2	Series 10	
11	Y313559	SCREW, GAS VALVE ASSEMBLY	2	Series 10	
12	314082	SCREW, GAS VALVE	2	Series 10	
12	314568	SCREW, GAS VALVE	2	Series 10	
13	Y303349	SHUT-OFF, GAS VALVE	2	Series 10	
14	Y303383	PIPE & BRACKET ASSEMBLY	2	Series 10	
15	211294	SCREW, DUCT, CONE & SENSOR	28	Series 10	
16	Y308504	INLET DUCT ASSEMBLY	2	Series 10	
17	303395	THERMOSTAT, HI-LIMIT (GAS)	-	Series 10	
17	305169	THERMOSTAT, HI-LIMIT GAS	2	Series 10	
18	Y303377	SENSOR, RADIANT	2	Series 10	
19	NLA	COMBUSTION CONE ASSEMBLY	-	Series 10	
19	Y308548	COMBUSTION CONE ASSEMBLY	2	Series 10	
20	NLA	EXTENSION, CONE (W/SCREWS)	-	Series 10	
20	Y303841	EXTENSION, CONE (W/SCREWS)	2	Series 10	
21	Y312890	RETAINER, HEATER CHAMBER	2	Series 10	

MDG13PDBAW - 07 - MOTOR DRIVE



Ref #	Part #	Description	Qty	Context	Note	MSRP
1	Y312893	HOUSING, BLOWER	2	Series	10	
2	Y303442	EXHAUST DUCT ASSEMBLY	2	Series	10	
3	410233	RING, RETAINING	4	Series	10	
4	Y303836	BLOWER WHEEL ASSEMBLY	2	Series	10	
5	312967	CLAMP, BLOWER WHEEL	2	Series	10	
6	Y312961	SCREW, HOUSING COVER	12	Series	10	
7	Y313561	SCREW, HOUSING COVER BRKT	6	Series	10	
8	307208	THERMISTOR, TEMP. CONTROL	2	Series	10	
8	902577	CAPACITOR, THERMOSTAT	1	Series	10	
8	Y303391	THERMOSTAT, CYCLING	2	Series	10	
9	211294	SCREW, THERMOSTAT	5	Series	10	
10	306604	CUT-OFF, THERMAL	2	Series	10	
11	NLA	SCREW, THERMAL CUT-OFF	4	Series	10	
12	Y312901	SEAL, HOUSING COVER	2	Series	10	
13	314778	COVER, BLOWER HOUSING	2	Series	10	
14	314818	SCREW, BLOWER HOUSING	8	Series	10	
15	Y303358	MOTOR	2	Series	10	
15	Y304656	MOTOR	-	Series	10	
16	Y015825	CLIP, MOTOR	4	Series	10	
17	910343	SCREW, GROUND WIRE	2	Series	10	
18	306207	(PROD. No. 303358-8 & 303358-9)				
18	NLA	SWITCH, MOTOR EXTERNAL START	2	Series	10	
18	Y303877	SWITCH, MOTOR EXTERNAL START (PROD. No. 303358-2, 303358-4)	2	Series	10	
18	Y303879	SWITCH, MOTOR EXTERNAL START (PROD. No. 303358 & 303358-6)	2	Series	10	
19	Y312959	BELT, TUMBLER	2	Series	10	
20	305186	PULLEY, MOTOR (W/SET SCREW)	-	Series	10	
20	Y305185	PULLEY, MOTOR (W/SET SCREW)	2	Series	10	
21	Y053241	SCREW, SET	2	Series	10	
22	Y303945	IDLER SPRING ASSEMBLY	2	Series	10	
23	Y303363	IDLER ARM & SHAFT ASSEMBLY	2	Series	10	
24	Y313582	SPACER, IDLER BRACKET	2	Series	10	
25	Y312527	WASHER, IDLER SHAFT (QTY-1)	4	Series	10	
26	Y303705	PULLEY, IDLER	2	Series	10	
27	312958	RING, RETAINING	2	Series	10	
28	Y312894	SLEEVE, IDLER ARM ----S	2	Series	10	
29	Y014874	SCREW, IDLER ARM	2	Series	10	
30	901220	GROUND WIRE	2	Series	10	
31	NLA	SUPPORT, MOTOR	2	Series	10	

Ref #	Part #	Description	Qty	Context	Note	MSRP
32	Y310632	SCREW, EXHAUST DUCT	2	Series	10	
33	306261	BASE ASSEMBLY (UPR)	1	Series	10	
33	306530	(LWR)	1	Series	10	
34	211294	SCREW, GROUND WIRE	2	Series	10	
35	210684	FOOT, RUBBER	4	Series	10	
36	Y302699	LEG, ADJUSTABLE (W/NUT)---S	4	Series	10	
37	210385	NUT, ADJUSTABLE LEG	4	Series	10	
38	Y310376	CLIP, CABLE	6	Series	10	
39	315471	RETAINER, WIRE HARNESS	6	Series	10	
40	410490	SPRING, WIRE HARNESS	5	Series	10	
41	Y312961	SCREW, SPACER	2	Series	10	
42	307928	TRANSFORMER (240V 50HZ)	-	Series	10	
42	33001205	TRANSFORMER	1	Series	10	
43	211294	SCREW, TRANSFORMER	1	Series	10	
43	315218	SHIELD, TRANSFORMER	1	Series	10	
43	Y313559	SCREW, TRANSFORMER	-	Series	10	

BDS PARTS.COM