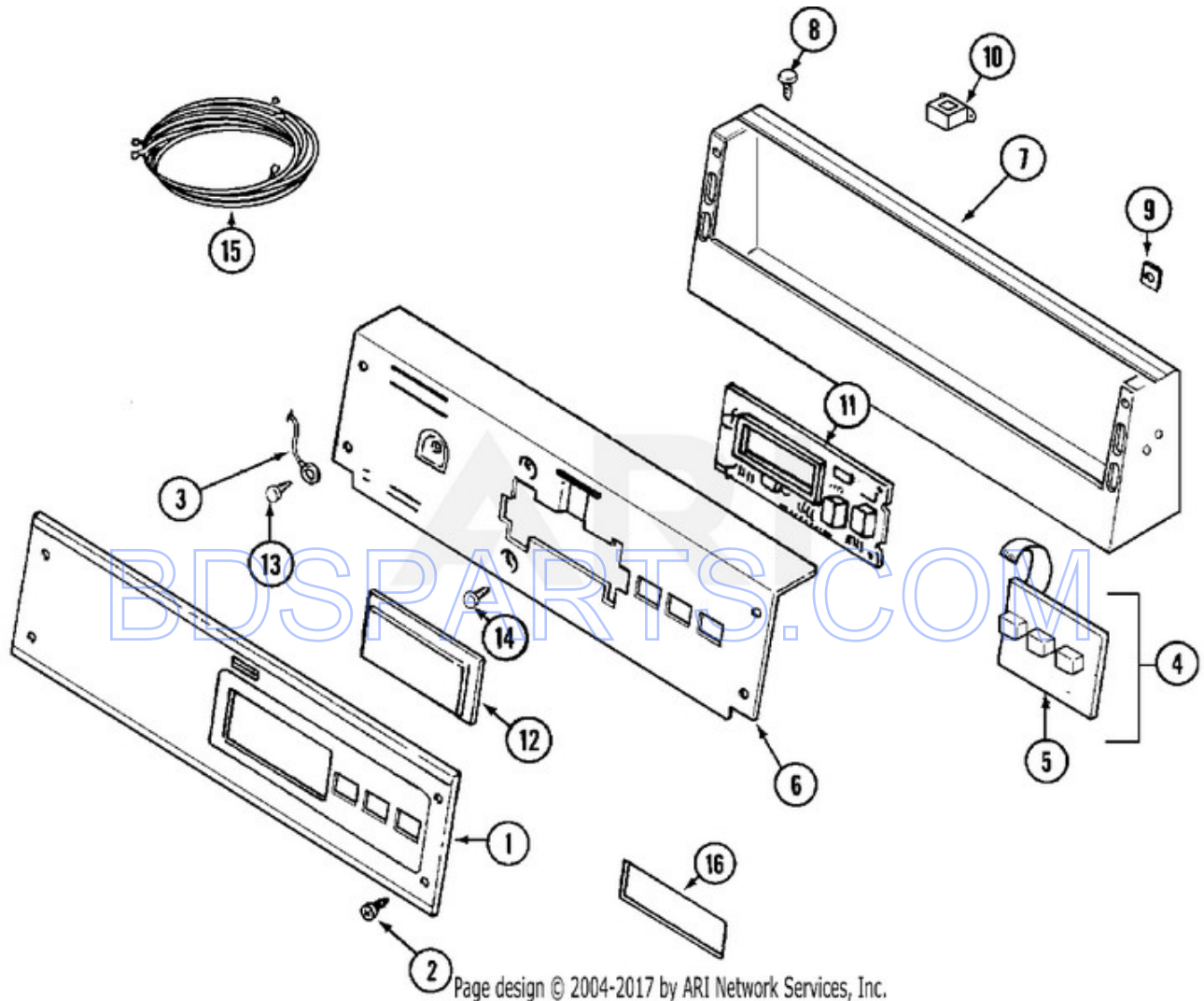
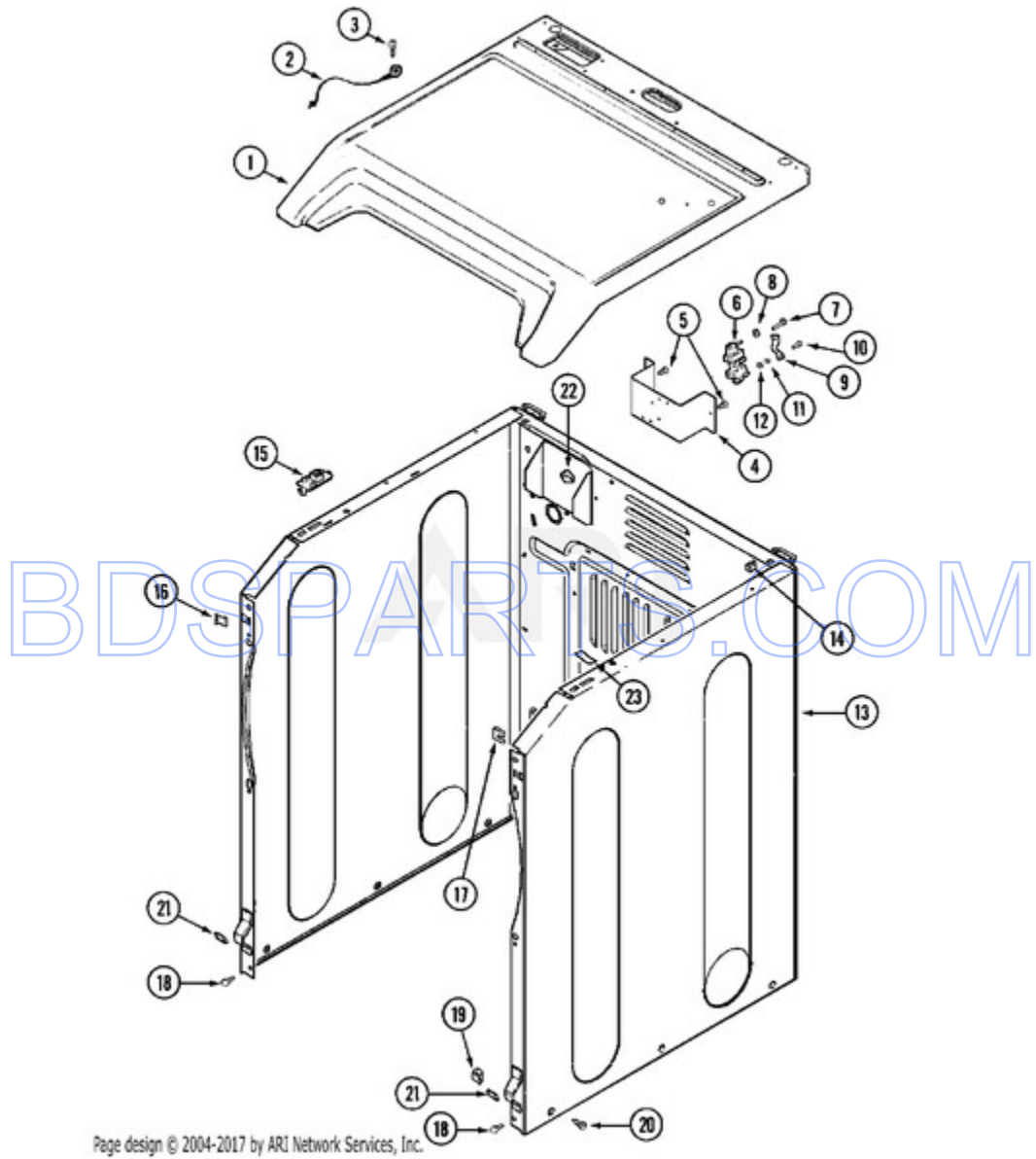


MDG14PNAWW - 01 - CONTROL PANEL



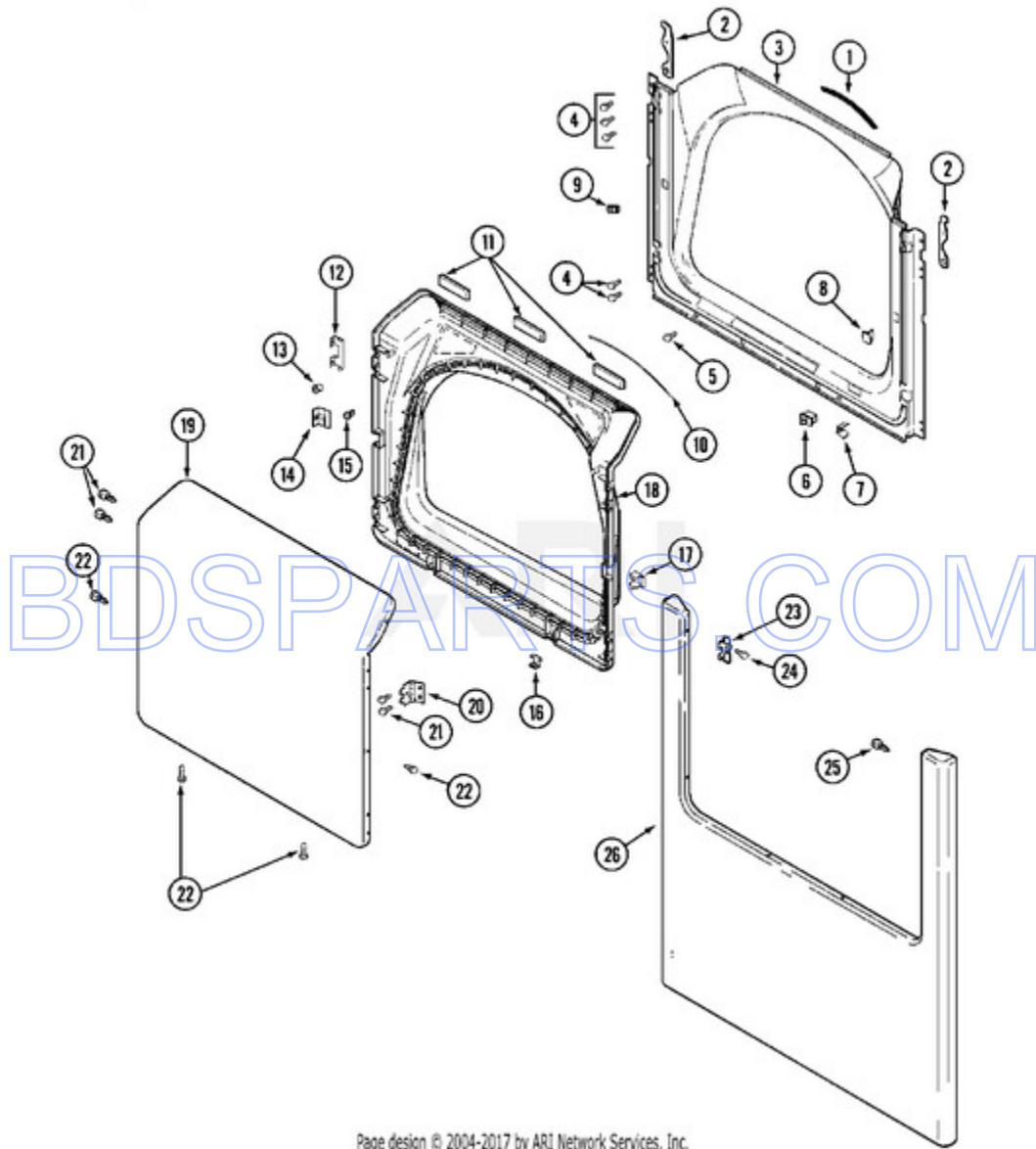
Ref #	Part #	Description	Qty	Context	Note	MSRP
1	NLA	PANEL, CONTROL	1	Series	10	
2	215506	SCREW, CONTROL PANEL	2	Series	10	
3	22001959	WIRE, GROUND	1	Series	10	
4	215527	SCREW, SWITCH	2	Series	10	
4	306694	CONTROL SWITCH ASSEMBLY	1	Series	10	
5	215517	PUSHBUTTON, CONTROL SWITCH	1	Series	10	
6	22001511	DEFLECTOR, WATER (W/ADHESIVE)	1	Series	10	
6	33001956	BRACKET, BACK (WHT)	1	Series	10	
6	33002523	BRACKET, BACK (WHT)	1	Series	29	
7	22003101	CONSOLE (WHT)	1	Series	29	
7	33001957	CONSOLE (WHT)	1	Series	10	
8	22001996	SCREW, CONSOLE	5	Series	10	
9	215003	CLIP, SCREW	2	Series	10	
10	211251	SCREW, TRANSFORMER	2	Series	10	
10	22001419	NUT (ELASTIC)	2	Series	10	
10	22001960	TRANSFORMER	1	Series	10	
11	33001204	STANDOFF, CIRCUIT BOARD	4	Series	10	
11	33001746	BOARD ASSY., CIRCUIT	1	Series	10	
11	912077	LOCKNUT	6	Series	10	
12	22001962	COVER, DISPLAY	1	Series	10	
13	211252	SCREW, GROUND WIRE	1	Series	10	
14	215526	SCREW, CONTROL BOARD	2	Series	10	
15	33001856	READER HARNESS KIT (16`)	1	Series	10	
15	33001878	WIRE HARNESS, MAIN	-	Series	10	
15	NLA	WIRE HARNESS, MAIN	1	Series	10	
16	22001976	BEZEL	1	Series	10	
17	33002090	HARNESS, SERVICE	1	Series	10	

MDG14PNAWW - 02 - CABINET-FRONT



Ref #	Part #	Description	Qty	Context	Note	MSRP
1	33001797	COVER, TOP (WHT)	1		Series 10	
1	33002629	COVER, TOP (WHT-AS PK)	1		Series 36	
1	33002630	COVER, TOP (BSQ-AS PK)	-		Series 36	
1	NLA	COVER, TOP (ALM)	-		Series 10	
2	22001959	WIRE, GROUND	1		Series 10	
3	210186	SCREW, GROUND WIRE	1		Series 10	
4	NLA	BRACKET, TERMINAL BLOCK----NA	1		Series 10	
5	22001995	SCREW, TERMINAL BLOCK BRACKET	2		Series 10	
6	33001244	BLOCK, TERMINAL	1		Series 10	
7	Y312209	SCREW, TERMINAL BLOCK	2		Series 10	
8	Y311270	WASHER, TERMINAL BLOCK	3		Series 10	
9	Y312184	STRAP, GROUND	1		Series 10	
10	NLA	SCREW, GROUND STRAP	1		Series 10	
11	311484	NUT, TERMINAL BLOCK	6		Series 10	
12	311093	WASHER, TERMINAL BLOCK	1		Series 10	
13	22003639	CABINET ASSY. (WHT AS PK)	1		Series 38	
13	NLA	CABINET (WHT W/V-BRACKET)	1		Series 10	
14	310933	FASTENER	2		Series 10	
15	33001757	LOCATOR, PIN	2		Series 10	
16	22002049	CLIP	2		Series 10	
17	213280	RETAINER, SHROUD	2		Series 10	
18	22001496	SCREW, CABINET (TORX)	2		Series 10	
18	22001995	SCREW, CABINET	2		Series 15	
19	Y310376	CLIP, WIRE HARNESS	1		Series 10	
20	213007	SCREW, CABINET	6		Series 10	
20	22003409	SCREW, CABINET (TRUSS)	6		Series 36	
21	213280	FASTENER, FRONT PANEL	2		Series 10	
21	22002239	CLIP, LOWER FRONT PANEL	2		Series 15	
22	Y310376	CLIP, CABLE	1		Series 10	
23	33001836	STRAP, TOP COVER SUPPORT	1		Series 10	

MDG14PNAWW - 03 - DOOR

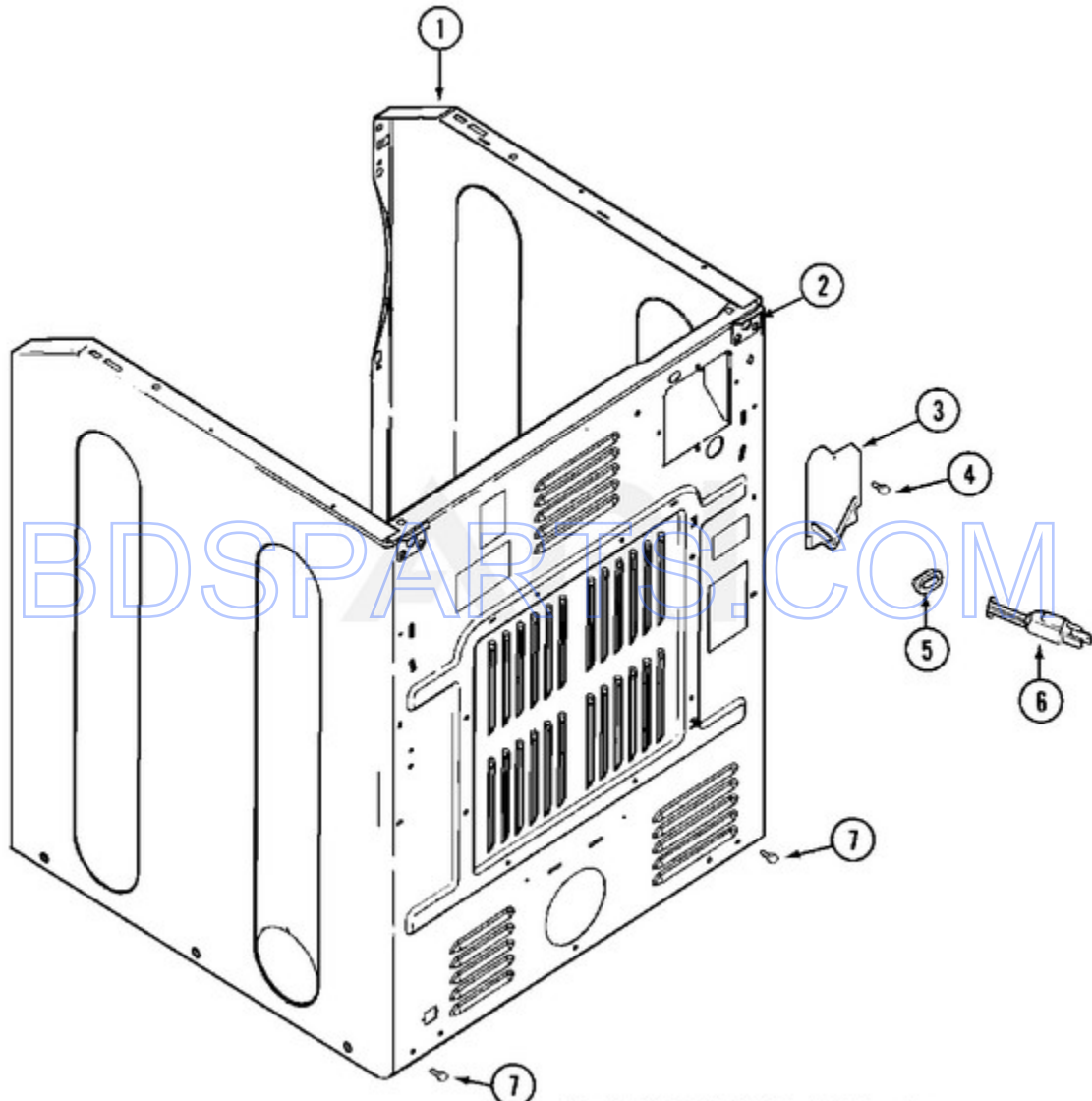


Ref #	Part #	Description	Qty	Context	Note	MSRP
1	33001767	SEAL, SHROUD	1	Series	10	
2	22002033	HOOK, SECURITY	2	Series	10	
3	33001778	SHROUD (WHT)	1	Series	10	
3	33001779	(ALM)	-	Series	10	
4	22001995	SCREW, TUMBLER FRONT & SHROUD	10	Series	10	
5	33001768	SCREW, SHROUD & OUTLET DUCT	2	Series	10	
6	33001509	SWITCH, DOOR	1	Series	10	
7	33001760	BRACKET, HINGE	4	Series	10	
8	NLA	PLUG, DOOR CATCH	1	Series	10	
9	Y304578	CATCH, DOOR (FEMALE)	1	Series	10	
10	33002094	SEAL, DOOR	1	Series	10	
11	33001268	PAD, DOOR	1	Series	10	
12	22002038	CLIP, DOOR (DOUBLE)	4	Series	10	
13	33001771	BUSHING, INNER DOOR	2	Series	10	
14	33001793	BRACKET, STRIKE	1	Series	10	
15	33001761	STRIKE, DOOR (MALE)	1	Series	10	
16	22002039	CLIP, DOOR (SINGLE)	2	Series	10	
17	33001763	PLUG, INNER DOOR	1	Series	10	
18	33001750	DOOR, INNER/ W SEAL (WHT)	1	Series	10	
18	33001751	(W/SEAL-ALM)	-	Series	10	
19	22001979	DOOR, OUTER (WHT-W/DAMPER)	1	Series	10	
19	22001980	(ALM-W/DAMPER)	-	Series	10	
19	22002660	(BSQ-W/DAMPER)	-	Series	10	
20	33001759	HINGE, DOOR	2	Series	10	
21	22002062	SCREW, HINGE	4	Series	10	
22	22002063	SCREW No.8-18AB WAFER HD	8	Series	10	
22	22002064	(ALM)	-	Series	10	
22	33002351	(BSQ)	-	Series	10	
23	33001764	COVER, HINGE HOLE (WHT)	2	Series	10	
23	33001765	(ALM)	-	Series	10	
23	33002349	(BSQ)	-	Series	10	
24	33001787	SCREW, HINGE HOLE COVER	2	Series	10	
24	33001846	SCREW, HINGE HOLE COVER	2	Series	15	
25	22002012	SCREW, HINGE BRACKET	2	Series	10	
25	22002243	SCREW, HINGE BRACKET	2	Series	15	
25	22002244	CLIP, GROUNDING	1	Series	15	
26	22002087	PANEL, FRONT (WHT)	1	Series	10	
26	22002241	PANEL, FRONT (WHT)	1	Series	15	
26	22002242	(ALM)	-	Series	15	

Ref #	Part #	Description	Qty	Context Note	MSRP
26	22002663	(BSQ)	-	Series 10	
26	NLA	(ALM)	-	Series 10	
27	213280	FASTENER, FRONT PANEL	2	Series 10	
27	22001496	SCREW, FRONT PANEL (TORX)	2	Series 10	
27	22001995	SCREW, FRONT PANEL	2	Series 15	
27	22002239	CLIP, LOWER FRONT PANEL	2	Series 15	

BDSPARTS.COM

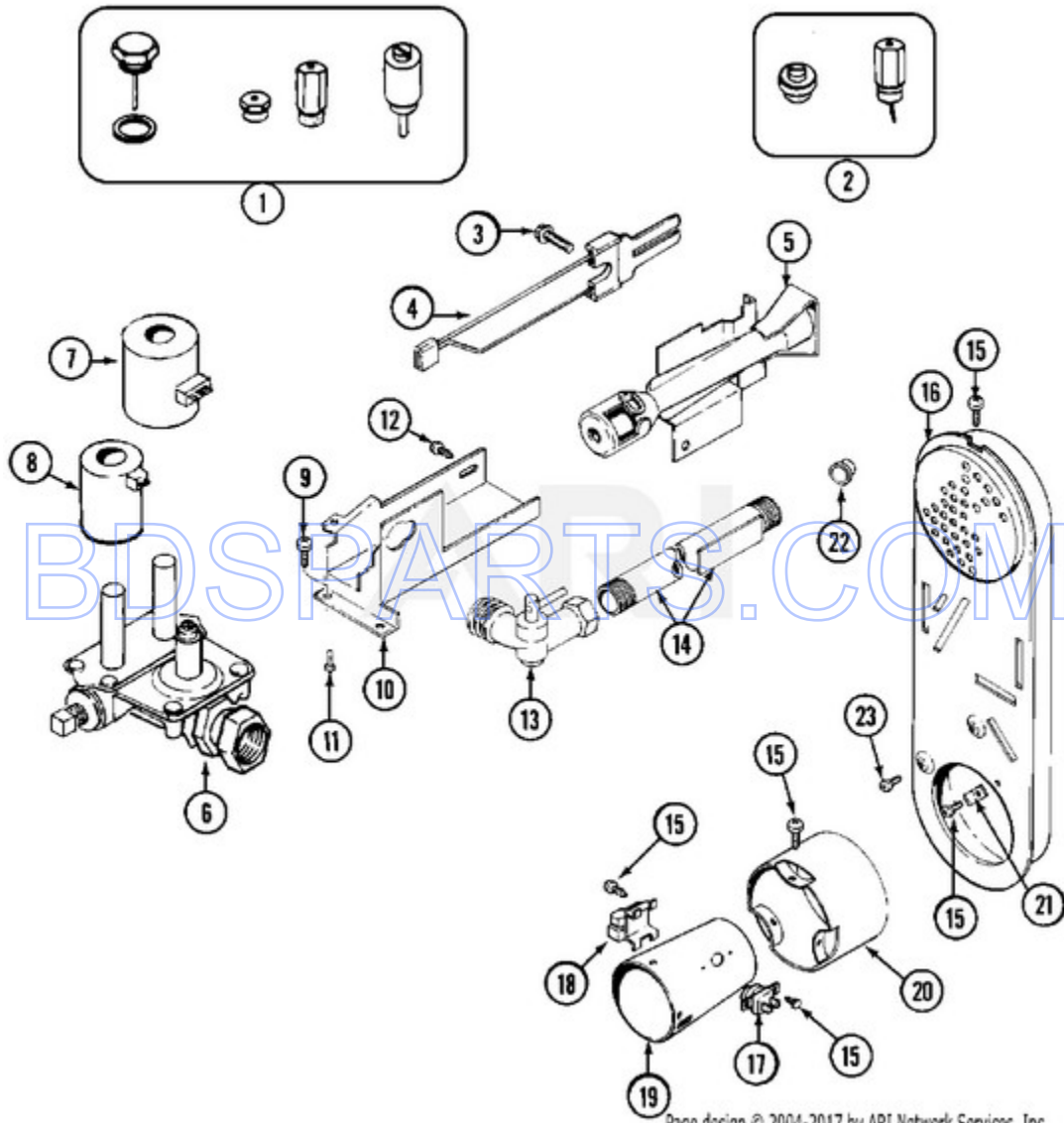
MDG14PNAWW - 04 - CABINET-REAR



Ref #	Part #	Description	Qty	Context Note	MSRP
1	NLA	CABINET (WHT W/V-BRACKET)	1	Series 10	
2	22001995	SCREW, HINGE	2	Series 36	
2	22003367	HINGE, PLASTIC	2	Series 36	
2	NLA	BRACKET, CABINET HINGE	2	Series 10	
3	33001795	COVER, TERMINAL BLOCK	1	Series 10	
4	22001995	SCREW, TERMINAL BLOCK COVER	1	Series 10	
5	211881	GROMMET, CORD	1	Series 10	
6	208784	CORD, POWER	1	Series 10	
7	22001995	SCREW, CABINET	2	Series 10	

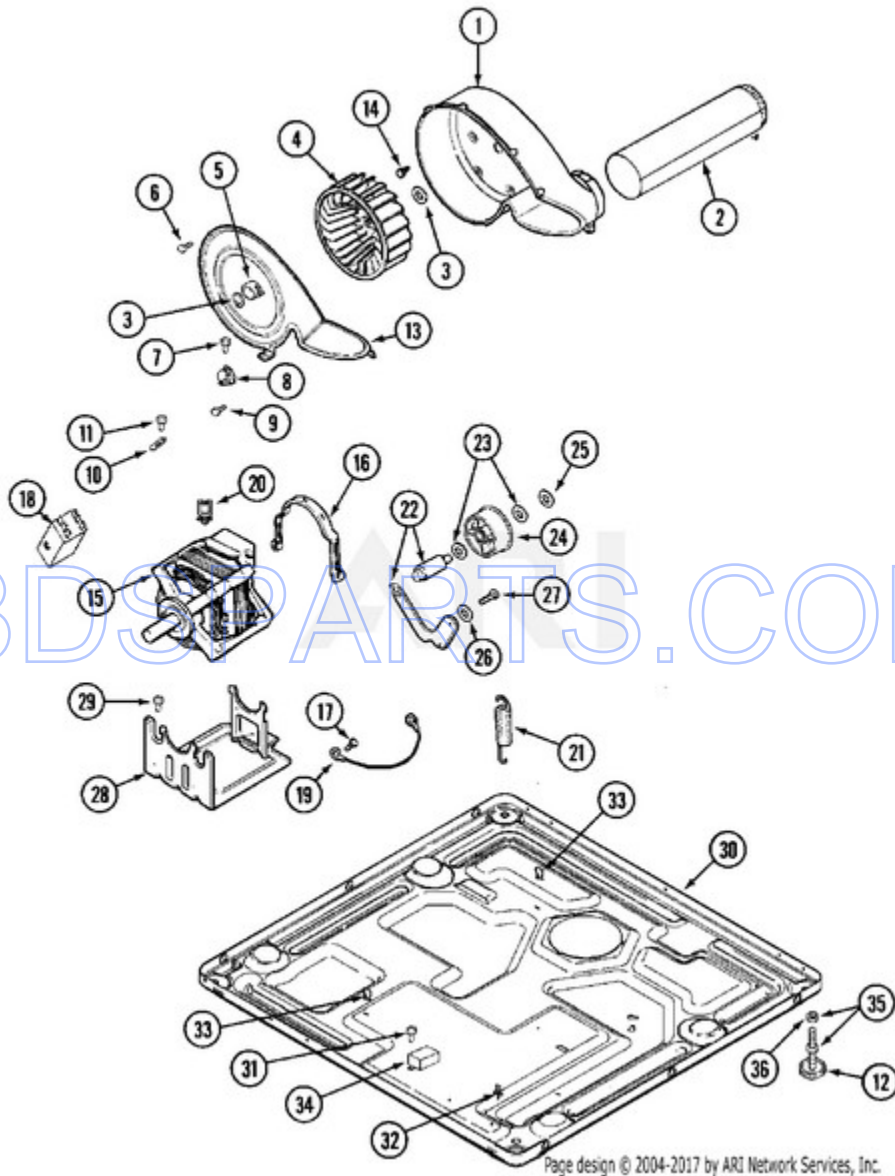
BDSPARTS.COM

MDG14PNAWW - 05 - GAS VALVE



Ref #	Part #	Description	Qty	Context	Note	MSRP
1	Y308378	CONV KIT (NATURAL TO LP) ----S	1	Series	10	
2	Y308377	CONVERSION KIT (LP TO NATURAL)	1	Series	10	
3	304971	SCREW, IGNITER	1	Series	10	
4	304970	IGNITER ASSY, GAS VALVE	1	Series	10	
5	33001247	BURNER ASSY.	1	Series	10	
6	308345	VALVE, GAS	1	Series	10	
7	306106	COIL, HOLDING & BOOSTER--W	1	Series	10	
8	306105	COIL, SECONDARY--W	1	Series	10	
9	Y313561	SCREW, GAS VALVE	2	Series	10	
10	NLA	BRACKET, GAS VALVE----NA	1	Series	10	
11	314082	SCREW, GAS VALVE	1	Series	10	
11	314568	SCREW, GAS VALVE	1	Series	10	
12	22001995	SCREW, GAS VALVE	1	Series	10	
13	33001842	CONNECTOR, ANGLE	1	Series	14	
13	Y303349	SHUT-OFF, GAS VALVE	1	Series	10	
14	33001735	PIPE & BRACKET ASSY.	1	Series	10	
15	211294	SCREW, DUCT	7	Series	10	
16	33001810	INLET DUCT ASSEMBLY	1	Series	10	
17	305169	THERMOSTAT, HI-LIMIT GAS	1	Series	10	
18	Y303377	SENSOR, RADIANT	1	Series	10	
19	33001835	CONE ASSY., COMBUSTION	1	Series	10	
20	Y303841	CONE, EXTENSION (COMBUSTION)	1	Series	10	
21	Y312890	RETAINER, HEATER CHAMBER	1	Series	10	
22	33001693	CAP, GAS PIPE	1	Series	10	
23	22001996	SCREW, DUCT	4	Series	10	

MDG14PNAWW - 06 - MOTOR DRIVE

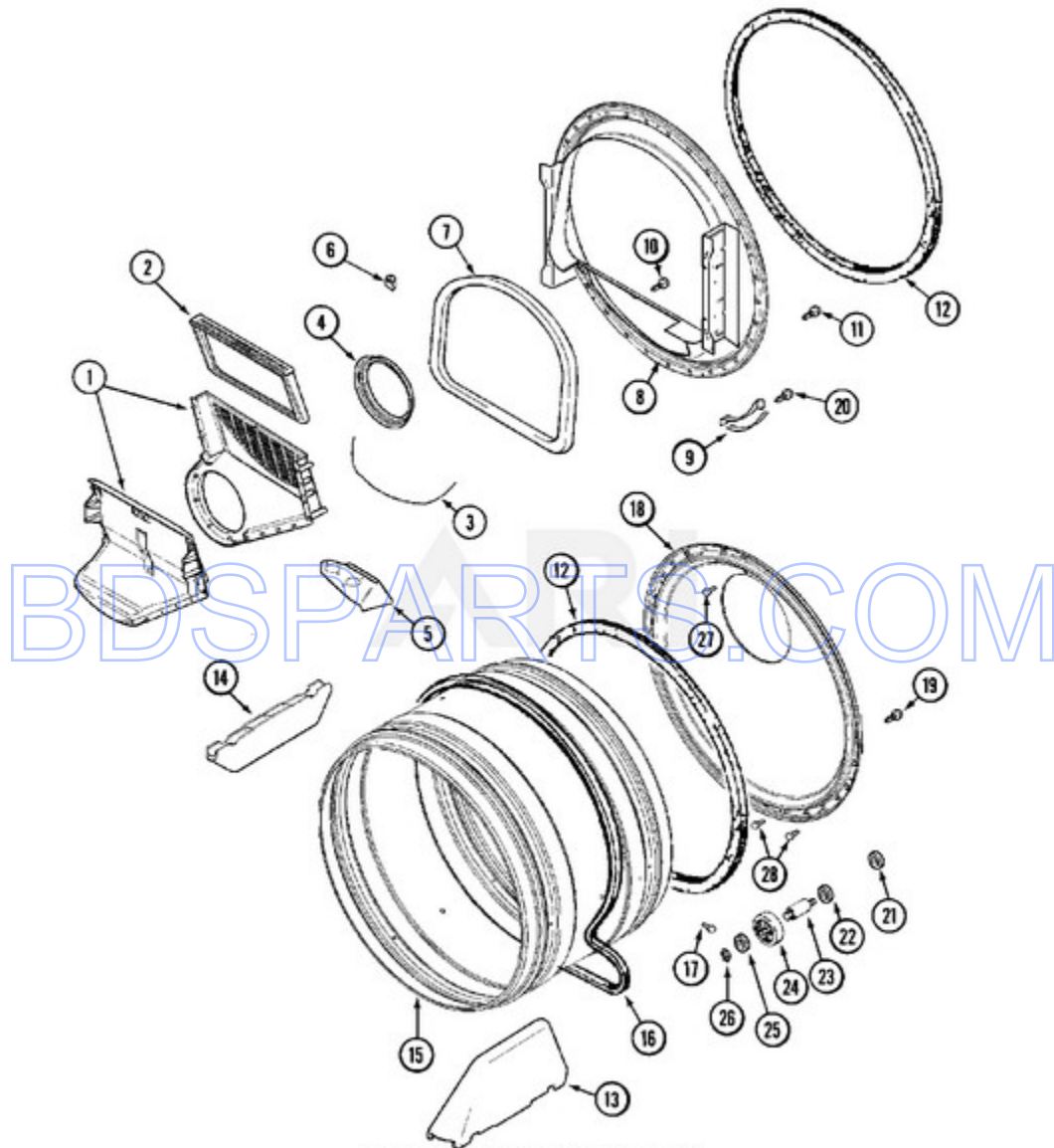


Ref #	Part #	Description	Qty	Context	Note	MSRP
1	33001789	HOUSING, BLOWER	1	Series	10	
2	22001995	SCREW, EXHAUST DUCT ASSEMBLY	1	Series	10	
2	33001800	DUCT ASSY., EXHAUST	1	Series	10	
3	410233	RING, RETAINING	2	Series	10	
4	33001790	WHEEL, BLOWER	1	Series	10	
5	312967	CLAMP, BLOWER HOUSING	1	Series	10	
6	33001855	SCREW, HOUSING COVER	8	Series	10	
7	Y313561	SCREW, HOUSING COVER	3	Series	10	
8	303392	THERMOSTAT, CYCLING (140 DEG.)	1	Series	10	
8	33303391	THERMOSTAT, CYCLING	1	Series	10	
9	22001996	SCREW, THERMOSTAT	4	Series	10	
10	33001762	FUSE, THERMAL (W` BRACKET)	1	Series	10	
11	NLA	SCREW, THERMAL CUT-OFF	1	Series	10	
12	Y314137	FOOT, RUBBER	4	Series	10	
13	33001796	COVER, BLOWER HOUSING	1	Series	10	
14	314818	SCREW, BLOWER HOUSING	4	Series	10	
15	33001753	MOTOR (W/V PULLEY)	1	Series	10	
15	33001853	MOTOR (W/V PULLEY)	1	Series	16	
15	33002237	MOTOR (W/PULLEY)	1	Series	23	
15	33002462	MOTOR (120V 60HZ)	1	Series	26	
15	33002478	MOTOR	1	Series	28	
16	Y015825	CLIP, MOTOR	2	Series	10	
17	910343	SCREW, GROUND WIRE	2	Series	10	
18	33001854	SWITCH, MOTOR	1	Series	16	
18	Y303877	SWITCH, MOTOR	1	Series	10	
19	901220	WIRE, GROUND	1	Series	10	
20	Y310376	CLIP, WIRE HARNESS	1	Series	10	
21	33001754	SPRING, IDLER	1	Series	10	
21	33002157	GROMMET	1	Series	10	
21	33002460	SPRING, IDLER SPRING & PLUG KIT 33002459	1	Series	25	
21	33002461	PLUG FOR SPRING	1	Series	25	
22	33001782	IDLER ARM & SHAFT ASSY.	1	Series	10	
22	33001840	IDLER ARM & SHAFT ASSY.	1	Series	11	
23	Y312527	WASHER, IDLER SHAFT (QTY-1)	2	Series	10	
24	33001783	BEARING, IDLER ASSEMBLY	1	Series	10	
25	312958	RETAINING RING, IDLER SHAFT	1	Series	10	
26	315772	SLEEVE, IDLER ARM	1	Series	10	
27	Y014874	SCREW, IDLER ARM & SLEEVE	1	Series	10	

Ref #	Part #	Description	Qty	Context	Note	MSRP
28	Y313561	SCREW----NA	1		Series 25	
28	33001752	SUPPORT, MOTOR	1		Series 10	
28	33002466	SUPPORT, MOTOR	1		Series 25	
29	Y313561	SCREW, MOTOR & BLOWER	2		Series 10	
30	33002622	BASE, (LWR)	1		Series 36	
30	NLA	BASE	1		Series 10	
31	22001078	SCREW, RELAY & BASE	2		Series 10	
32	315471	RETAINER, WIRE	1		Series 10	
33	410490	SPRING, WIRE HARNESS	2		Series 10	
34	306199	RELAY, HEATER	1		Series 10	
35	Y305086	ADJUSTABLE LEG & NUT	4		Series 10	
36	Y052740	NUT, LEG	4		Series 10	

BDSPARTS.COM

MDG14PNAWW - 07 - TUMBLER



Ref #	Part #	Description	Qty	Context	Note	MSRP
1	33001799	OUTLET DUCT ASSEMBLY	1	Series	10	
2	33001804	FILTER, LINT	1	Series	10	
3	NLA	SEAL, OUTLET DUCT	1	Series	10	
4	33001758	SEAL, BLOWER	1	Series	10	
5	33001837	COVER, THERMOSTAT (ELEC ONLY)	1	Series	10	
6	Y310376	CLIP, WIRE HARNESS	1	Series	10	
7	33001767	SEAL, SHROUD	1	Series	10	
8	33001802	FRONT, TUMBLER (W/SEAL)	1	Series	10	
9	306508	TUMBLER BEARING KIT ----W	2	Series	10	
10	NLA	SCREW, OUTLET DUCT (PHILLIPS)	1	Series	10	
11	33001855	SCREW, DUCT TO TUMBLER (HEX)	4	Series	10	
12	33001807	SEAL, TUMBLER	2	Series	10	
13	33001756	BAFFLE (TALL)	2	Series	10	
14	33001755	BAFFLE (SHORT)	1	Series	10	
15	33001794	TUMBLER	1	Series	10	
16	33001777	BELT, TUMBLER	1	Series	10	
17	33001788	SCREW, BAFFLE	6	Series	10	
18	33001801	BACK, TUMBLER (W/SEAL)	1	Series	10	
19	33002190	SCREW (No.10-3/8``)	4	Series	10	
20	210720	RIVET	4	Series	10	
21	33001443	NUT, HEX (ROLLER SHAFT)	2	Series	10	
22	Y313347	WASHER,SPRING(ROLLER SHAFT)--S	2	Series	10	
23	Y312948	SHAFT, TUMBLER ROLLER----C	2	Series	10	
24	Y303373	ROLLER (W/BEARING)	2	Series	10	
25	312535	WASHER, ROLLER SHAFT	2	Series	10	
26	410233	RING, RETAINING	2	Series	10	
27	210932	SCREW, INLET DUCT	1	Series	10	
28	22001996	SCREW, INLET DUCT	2	Series	10	