

# DRYER

## Repair Parts List

MODEL NUMBER

MDG16CSAWW

BDSPARTS.COM

When requesting service or ordering parts, always provide the following information:

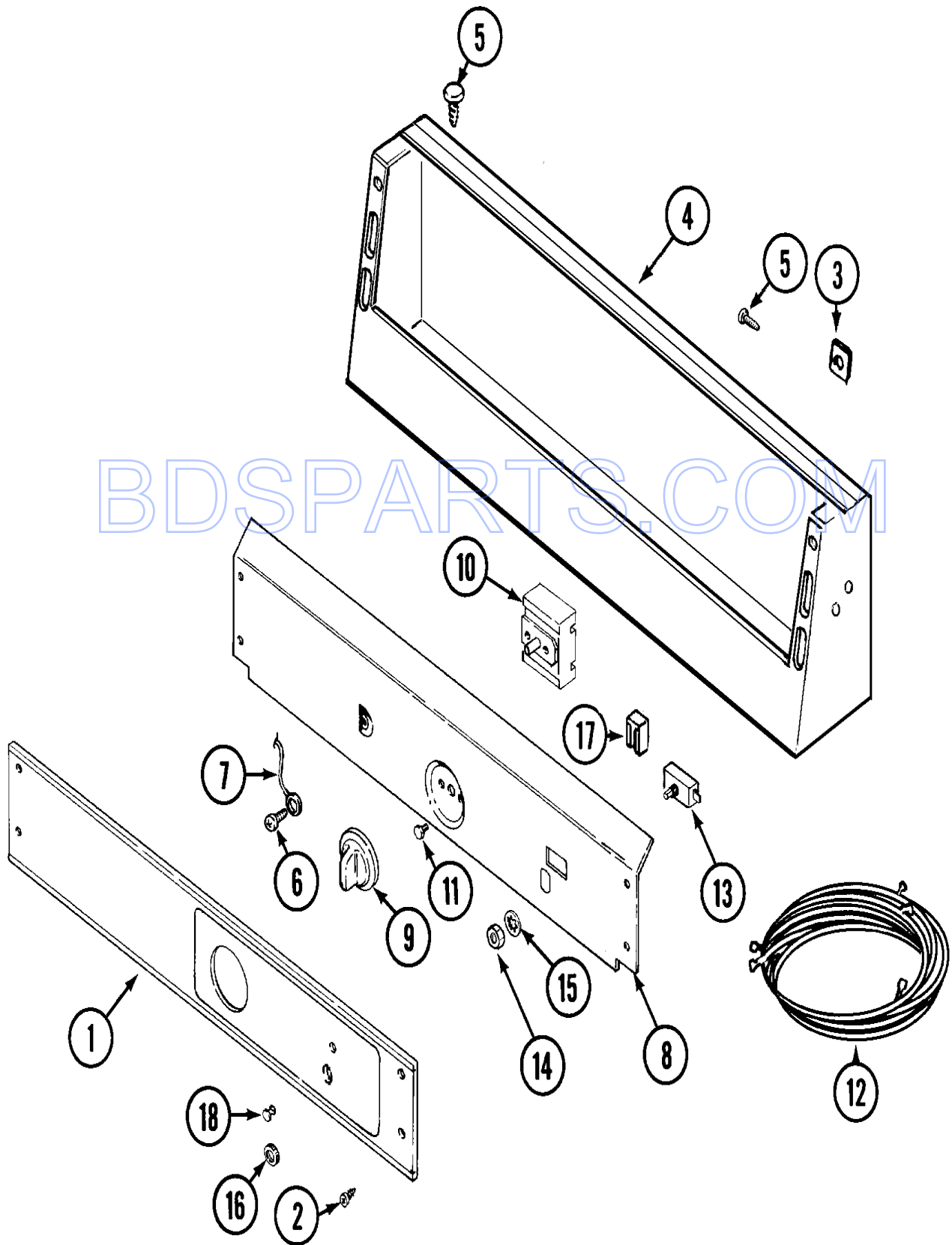
- Product Type
- Part Number
- Model Number
- Part Description

**MAYTAG**®

©2005 Maytag Services

Section: CONTROL PANEL

Model: MDG16CSAWW



CD11-1

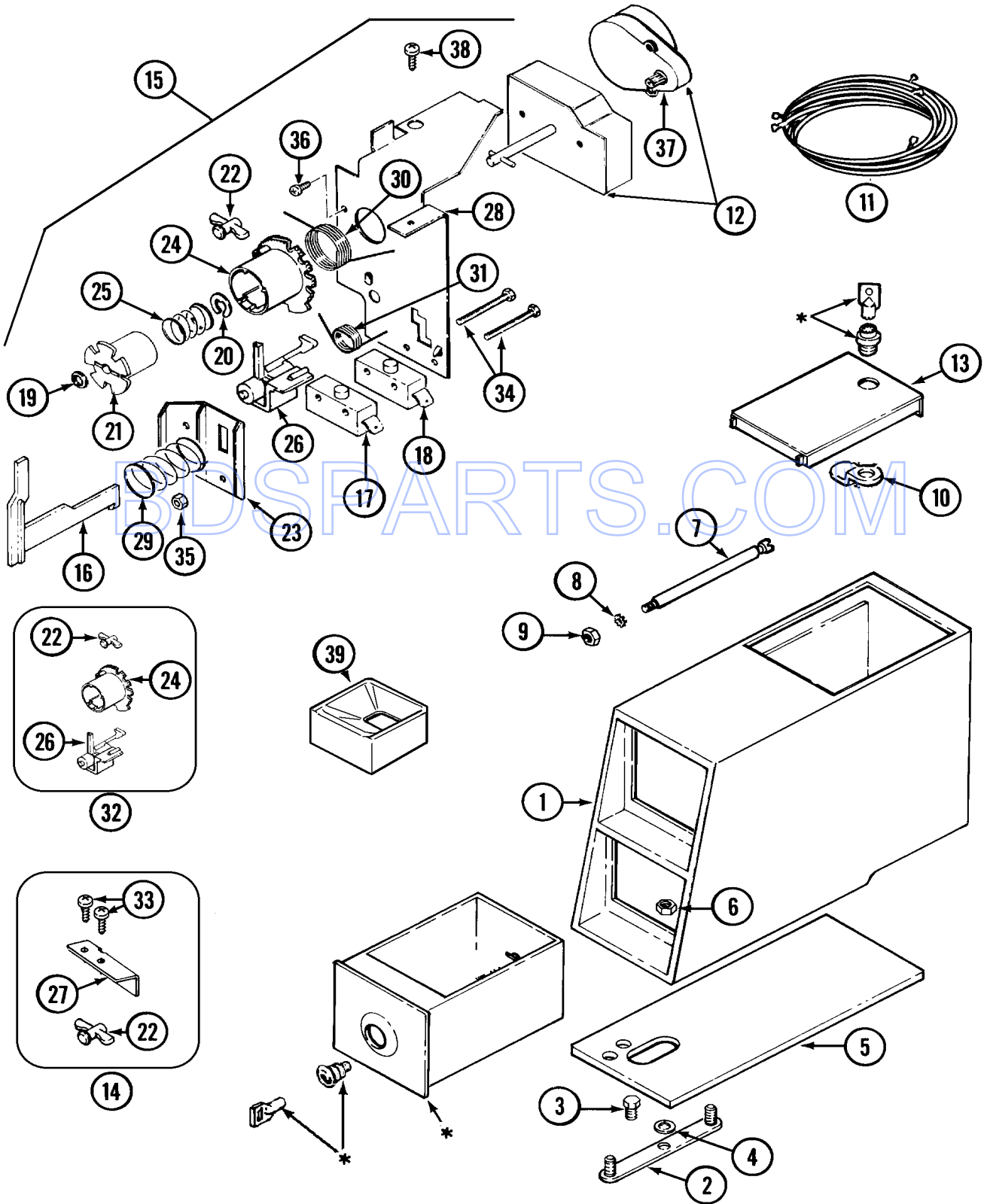
## Section: CONTROL PANEL

| No. | Part No.   | Description                                   | Series | Qty |
|-----|------------|---|--------|-----|
| 1   | N 33001958 | PANEL, CONTROL                                | 10     | 1   |
| 2   | 215506     | SCREW, TORX Note: SCREW, CONTROL PANEL        | 10     | 4   |
| 3   | 215506     | SCREW, TORX Note: FASTENER, CONTROL PANEL     | 10     | 2   |
| 4   | 22002329   | CONSOLE (WHT)                                 | 10     | 1   |
| 4   | 22003089   | CONSOLE (WHT)                                 | 29     | 1   |
| 5   | 212276     | SCREW Note: SCREW, CONSOLE                    | 10     | 4   |
| 6   | 211252     | SCREW Note: SCREW, GROUND WIRE                | 10     | 1   |
| 7   | 205810     | WIRE, GROUND                                  | 10     | 1   |
| 8   | 33001959   | BRACKET, BACK (WHT)                           | 10     | 1   |
| 8   | 33002522   | BRACKET, BACK (WHT) Note: BRACKET, BACK (WHT) | 29     | 1   |
| 9   | 306938     | KNOB, SELECTOR SWITCH                         | 10     | 1   |
| 10  | 307237     | SWITCH, CYCLE SELECTOR                        | 10     | 1   |
| 11  | 313588     | SCREW Note: SCREW, SELECTOR SWITCH            | 10     | 2   |
| 12  | 33002244   | WIRE HARNESS, MAIN                            | 19     | 1   |
| 12  | 33001963   | WIRE HARNESS, MAIN                            | 10     | 1   |
| 13  | 306940     | SWITCH, PUSH-TO-START                         | 10     | 1   |
| 14  | 312706     | HEX NUT ON SWITCH Note: NUT, SWITCH           | 10     | 1   |
| 15  | 312751     | LOCK WASHER Note: WASHER, LOCK                | 10     | 1   |
| 16  | 312702     | KNURLED NUT Note: NUT, KNURLED                | 10     | 1   |
| 17  | 204075     | LIGHT, INDICATOR Note: LAMP, INDICATOR        | 10     | 1   |
| 18  | 215564     | LENS, INDICATOR (AMBER) Note: LENS, INDICATOR | 10     | 1   |
| -   | 16009021   | MANUAL, SERVICE-NO REFUND                     | 10     | 1   |

\*Color Code (-)=Not Shown #=Series, Serial Prefix or Run No., N=Not Available

Section: CONTROL CENTER

Model: MDG16CSAWW



\* CONTACT YOUR COMMERCIAL LAUNDRY DISTRIBUTOR

CD11-34

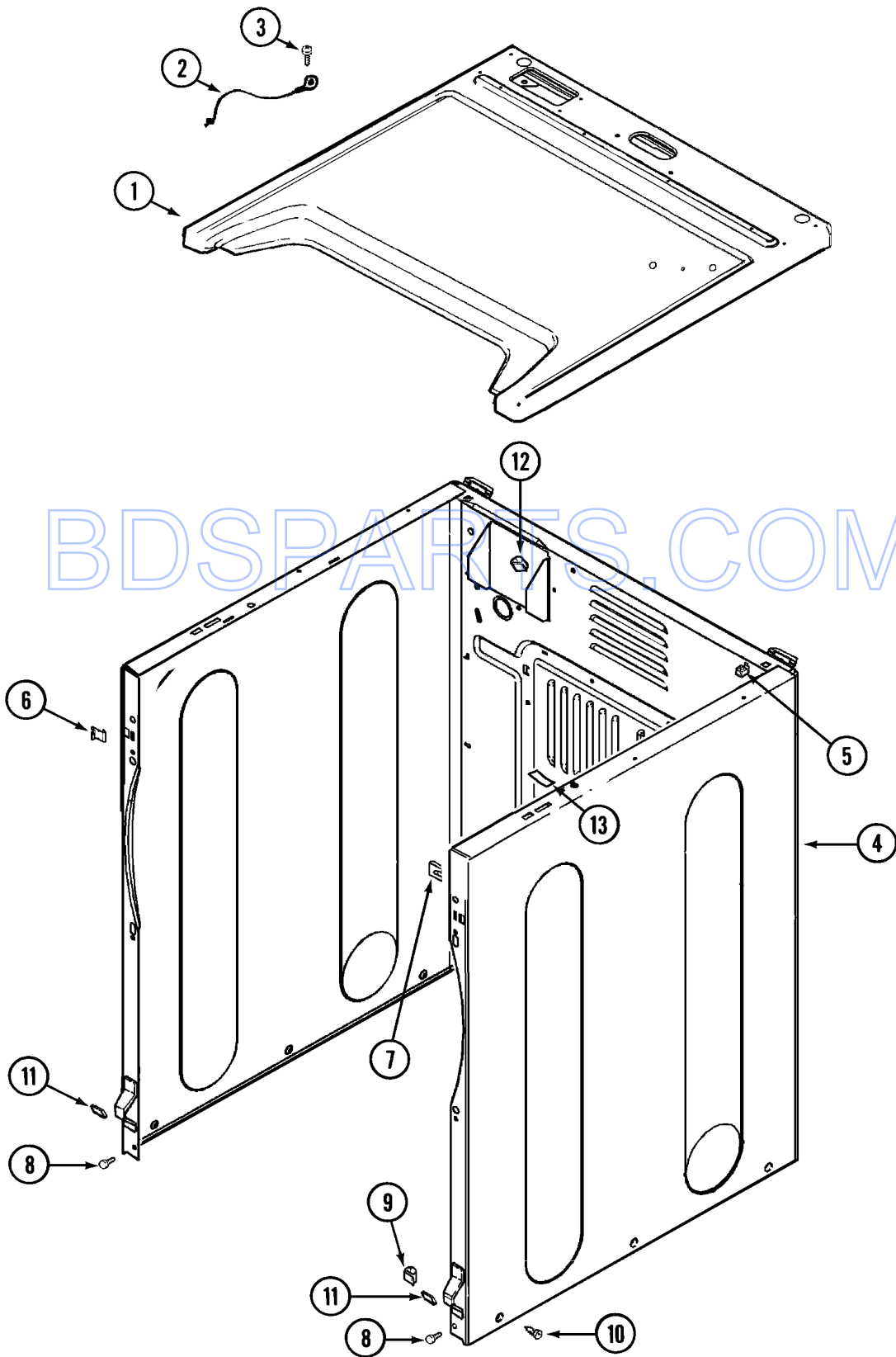
## Section: CONTROL CENTER

| No. | Part No.   | Description  | Series | Qty |
|-----|------------|--|--------|-----|
| 1   | 22002478   | VAULT, COIN (WHT)CS Note: VAULT, COIN (WHT)              | 21     | 1   |
| 2   | 22001810   | STRAP, MOUNTING  | 10     | 1   |
| 3   | 211294     | SCREW Note: SCREW, MOUNTING STRAP                        | 10     | 1   |
| 4   | 910309     | WASHER Note: WASHER, STRAP SCREW                         | 10     | 1   |
| 5   | 22002072   | GASKET, CONTROL CENTER (WHT)                             | 10     | 1   |
| 6   | 052740     | NUT Note: NUT, CASE MOUNTING                             | 10     | 1   |
| 7   | 22001903   | LOCKING BOLT, COIN SLIDE Note: BOLT, LOCKING             | 10     | 1   |
| 8   | 910387     | LOCK WASHER Note: LOCKWASHER, LOCKING BOLT               | 10     | 1   |
| 8   | 910387     | LOCK WASHER Note: LOCKWASHER, LOCKING BOLT               | 21     | 2   |
| 9   | 052721     | NUT Note: NUT, LOCKING BOLT                              | 10     | 1   |
| 9   | 052721     | NUT Note: NUT, LOCKING BOLT                              | 21     | 2   |
| 10  | N 22001905 | CAM, LOCKING   | 10     | 1   |
| 11  | 33001195   | WIRE HARNESS, TIMER                                      | 10     | 1   |
| 12  | 33001155   | TIMER  | 10     | 1   |
| -   | 22001882   | LATCH, ACCESS DOOR                                       | 10     | 1   |
| 13  | 22001910   | DOOR, ACCESS (WHT)                                       | 10     | 1   |
| -   | 22001883   | SCREW  | 10     | 1   |
| -   | 22001881   | GROMMET, DOUBLE  | 10     | 1   |
| 14  | 33001688   | ACTUATOR KIT, DRYER Note: ACTUATOR KIT                   | 10     | 1   |
| 15  | 33001275   | TORSION TIMER ASSY. Note: TORSION TIMER ASSEMBLY         | 10     | 1   |
| 16  | 314337     | SLIDER   | 10     | 1   |
| 17  | 305798     | BYPASS SWITCH FOR MOTOR Note: SWITCH, BY-PASS (MOTOR)    | 10     | 1   |
| 18  | 305799     | BYPASS SWITCH FOR HEATER Note: SWITCH, BY-PASS (HEATER)  | 10     | 1   |
| 19  | 211790     | LOCK RING FOR TIMER SHAFT Note: RETAINER, SPRING         | 10     | 1   |
| 20  | 312270     | E CLIP Note: CLIP, SPRING RETAINER                       | 10     | 1   |
| 21  | 314330     | DRIVER FOR INDEX WHEEL Note: DRIVER, INDEX WHEEL         | 10     | 1   |
| 22  | 314335     | TIME ADJUSTMENT PEG Note: PEG, TIME ADJUSTMENT           | 10     | 1   |
| 22  | 314547     | ADJUSTMENT RETURN STOP Note: STOP, ADJUSTABLE RETURN     | 10     | 1   |
| 23  | 314339     | SWITCH AND SLIDER BRACKET Note: BRACKET, SWITCH & SLIDER | 10     | 1   |
| 24  | 314546     | INDEX WHEEL Note: WHEEL, INDEX                           | 10     | 1   |
| 25  | 211065     | SPRING, TIMER KNOB Note: SPRING, INDEX WHEEL             | 10     | 1   |
| 26  | 314548     | ACTUATOR, SWITCH Note: ACTUATOR, SWITCH                  | 10     | 1   |
| 27  | 33001708   | BRACKET, COIN SLIDE                                      | 10     | 1   |
| 28  | 33001207   | BRACKET, TIMER   | 10     | 1   |
| 29  | 314340     | HELICAL SPRING Note: SPRING, HELICAL                     | 10     | 1   |
| 30  | 314331     | RETURN SPRING Note: SPRING, TORSION RETURN               | 10     | 1   |
| 31  | 314332     | ACTUATOR SPRING Note: SPRING, ACTUATOR                   | 10     | 1   |
| 32  | 306104     | TORSION-TIMER KIT Note: ACTUATOR KIT                     | 10     | 1   |
| 33  | 212707     | SCREW Note: SCREW, SLIDE BRACKET                         | 10     | 2   |
| 34  | 315277     | SCREW Note: SCREW, BY-PASS SWITCHES                      | 10     | 2   |
| 35  | 052634     | HEX. NUT, #6-32 Note: NUT, BY-PASS SWITCHES              | 10     | 2   |
| 36  | 910708     | SCREW -RELAY TO TUB SUPPORT Note: SCREW, TIMER           | 10     | 2   |
| 37  | 308991     | MOTOR, TIMER   | 10     | 1   |
| 38  | 211168     | SCREW, #8 X 5/16 INCH Note: SCREW, TIMER BRACKET         | 10     | 1   |
| -   | 22002534   | BOLT, CARRIAGE   | 21     | 1   |
| 39  | 22001878   | CHUTE, COIN Note: (REMOVED AT SERIES 21)                 | 10     | 1   |
| 39  | 22002533   | WELD ASSY., FUNNEL                                       | 21     | 1   |
| -   | 22001917   | PLATE, ADAPTOR (WHT) Note: (REMOVED AT SERIES 21)        | 10     | 1   |
| -   | 22001904   | BRACE, COIN SLIDE Note: (REMOVED AT SERIES 21)           | 10     | 1   |

\*Color Code (-)=Not Shown #=Series, Serial Prefix or Run No., N=Not Available

Section: CABINET-FRONT

Model: MDG16CSAWW



LD12-73

**Section: CABINET-FRONT**

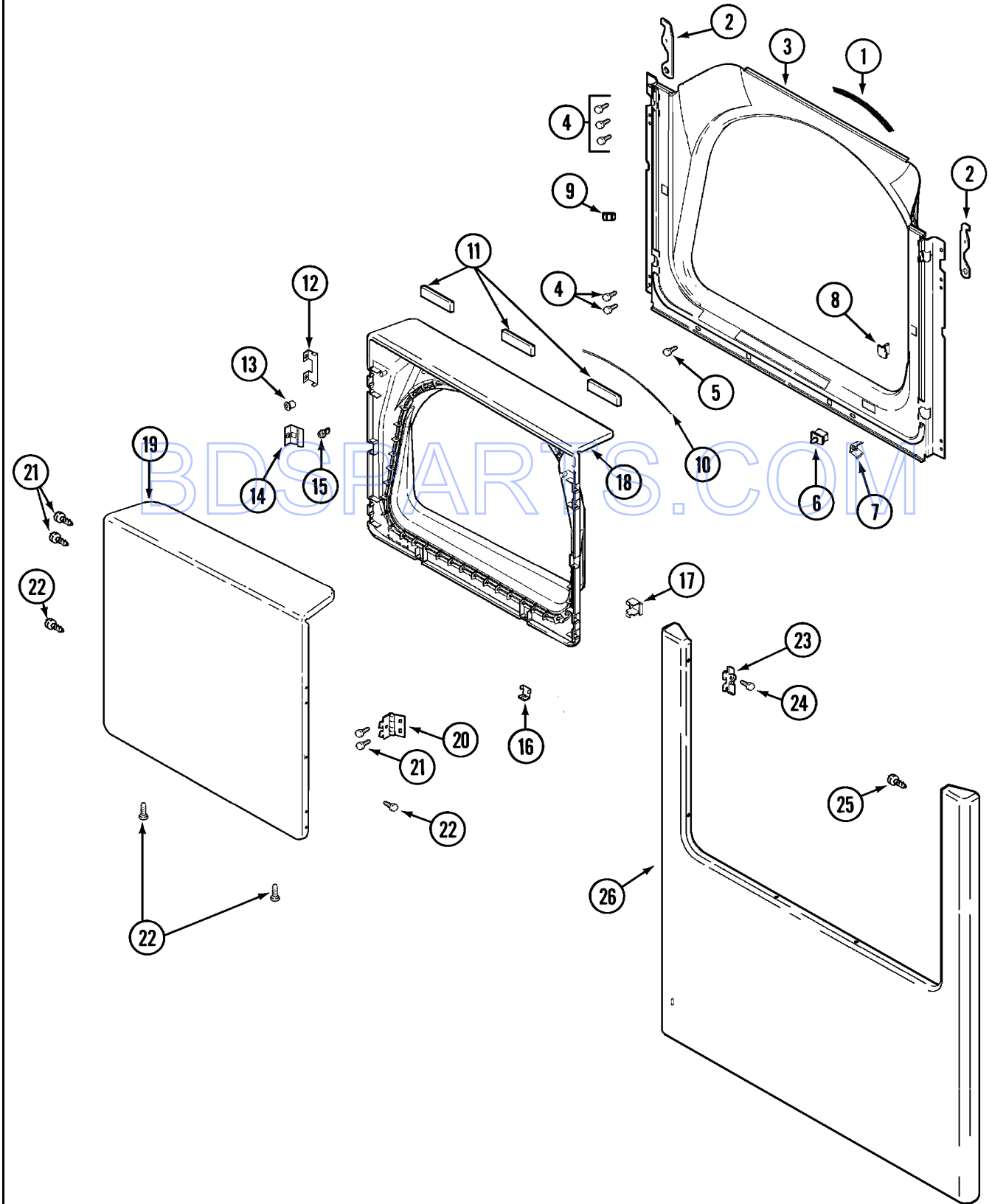
| No. | Part No. | Description   | Series | Qty |
|-----|----------|---|--------|-----|
| 1   | 33002633 | COVER, TOP (WHT-AS PK)                                  | 36     | 1   |
| 1   | 33001949 | COVER, TOP (WHT)  | 10     | 1   |
| 2   | 22001959 | WIRE, GROUND  | 10     | 1   |
| 3   | 210186   | SCREW, GROUND WIRE TO BASE--NA Note: SCREW, GROUND WIRE | 10     | 1   |
| 4 N | 22003643 | CABINET ASSY. (WHT AS PK)                               | 38     | 1   |
| 4 N | 33001897 | CABINET (WHT)   | 10     | 1   |
| 4 N | 33002624 | CABINET, ASSY. (WHT-AS PK)                              | 36     | 1   |
| 5   | 310933   | FASTENER  | 10     | 2   |
| 6   | 22002049 | CLIP  | 10     | 2   |
| 7   | 213280   | FRONT PANEL BRACKET/FASTENER Note: RETAINER, SHROUD     | 10     | 2   |
| 8   | 22001995 | SCREW Note: SCREW, CABINET                              | 10     | 2   |
| 9   | 310376   | CLIP, WIRE HARNESS                                      | 10     | 1   |
| 10  | 213007   | SCREW, CABINET  | 10     | 6   |
| 10  | 22003409 | SCREW---NA Note: SCREW, CABINET (TRUSS)                 | 36     | 6   |
| 11  | 22002239 | CLIP, LOWER FRONT PANEL                                 | 10     | 2   |
| 12  | 310376   | CLIP, WIRE HARNESS                                      | 10     | 1   |
| 13  | 33001836 | STRAP, TOP COVER SUPPORT                                | 10     | 1   |

BDSPARTS.COM

\*Color Code (-)=Not Shown #=Series, Serial Prefix or Run No., N=Not Available

Section: DOOR

Model: MDG16CSAWW



LD17-21



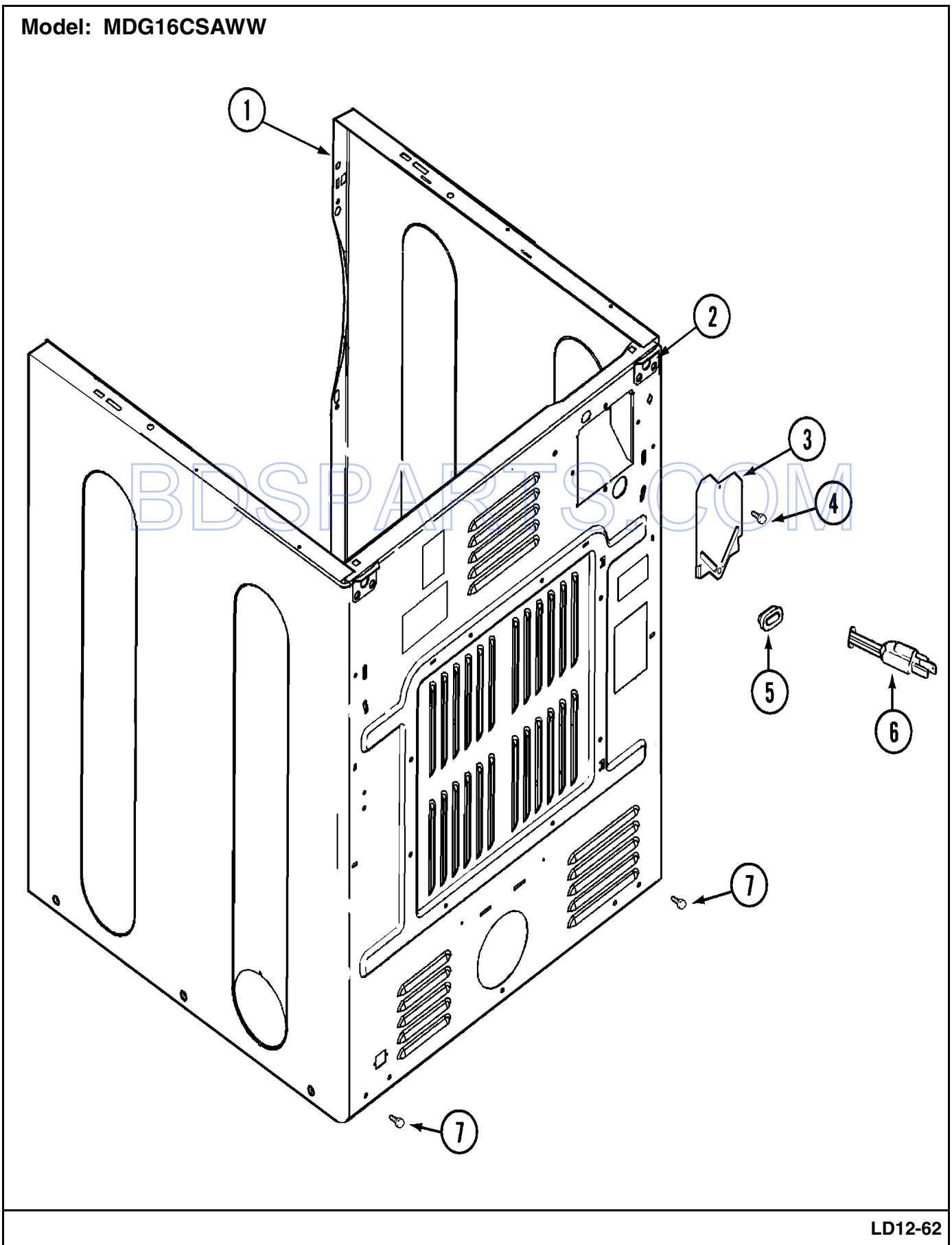
## Section: DOOR

| No. | Part No.   | Description  | Series | Qty |
|-----|------------|--|--------|-----|
| 1   | 33001767   | SEAL, SHROUD   | 10     | 1   |
| 2   | 22002247   | HOOK, SECURITY   | 10     | 2   |
| 3   | 33001900   | SHROUD (WHT)   | 10     | 1   |
| 4   | 22001995   | SCREW Note: SCREW, TUMBLER FRONT & SHROUD                | 10     | 10  |
| 5   | 33001768   | SCREW, SHROUD Note: SCREW, SHROUD & OUTLET DUCT          | 10     | 2   |
| 6   | 33001509   | SWITCH, DOOR   | 10     | 1   |
| 7   | 33001760   | BRACKET, HINGE   | 10     | 4   |
| 8   | N 33001174 | PLUG, DOOR CATCH   | 10     | 1   |
| 9   | 304578     | CATCH, DOOR (FEMALE)                                     | 10     | 1   |
| 10  | 33002094   | SEAL, DOOR   | 10     | 1   |
| 11  | 33001268   | PAD, DOOR  | 10     | 1   |
| 12  | 22002038   | CLIP, DOOR (DOUBLE)                                      | 10     | 4   |
| 13  | 33001771   | BUSHING, INNER DOOR                                      | 10     | 2   |
| 14  | 33001793   | BRACKET, STRIKE  | 10     | 1   |
| 15  | 33001761   | STRIKE, DOOR (MALE)                                      | 10     | 1   |
| 16  | 22002039   | CLIP, DOOR (SINGLE)                                      | 10     | 2   |
| 17  | 33001763   | PLUG, INNER DOOR   | 10     | 1   |
| 18  | 33001899   | DOOR, INNER (WHT)  | 10     | 1   |
| 19  | 33001904   | DOOR, OUTER (WHT) Note: DOOR, OUTER (WHT)                | 10     | 1   |
| 20  | 33001759   | HINGE, DOOR  | 10     | 2   |
| 21  | 22002062   | SCREW Note: SCREW, HINGE                                 | 10     | 4   |
| 22  | 22002063   | SCREW #8-18AB WAFER HD                                   | 10     | 8   |
| 23  | 33001764   | COVER, HINGE HOLE (WHT)                                  | 10     | 2   |
| 24  | 33001846   | SCREW Note: SCREW, HINGE HOLE COVER                      | 10     | 2   |
| 25  | 22002243   | SCREW Note: SCREW, HINGE BRACKET                         | 10     | 2   |
| -   | 22002244   | CLIP, GROUNDING  | 10     | 1   |
| -   | 22002239   | CLIP, LOWER FRONT PANEL                                  | 10     | 2   |
| -   | 213280     | FRONT PANEL BRACKET/FASTENER Note: FASTENER, FRONT PANEL | 10     | 2   |
| 26  | 33001901   | PANEL, FRONT (WHT)                                       | 10     | 1   |

\*Color Code (-)=Not Shown #=Series, Serial Prefix or Run No., N=Not Available

Section: CABINET-REAR

Model: MDG16CSAWW



LD12-62

**Section: CABINET-REAR**

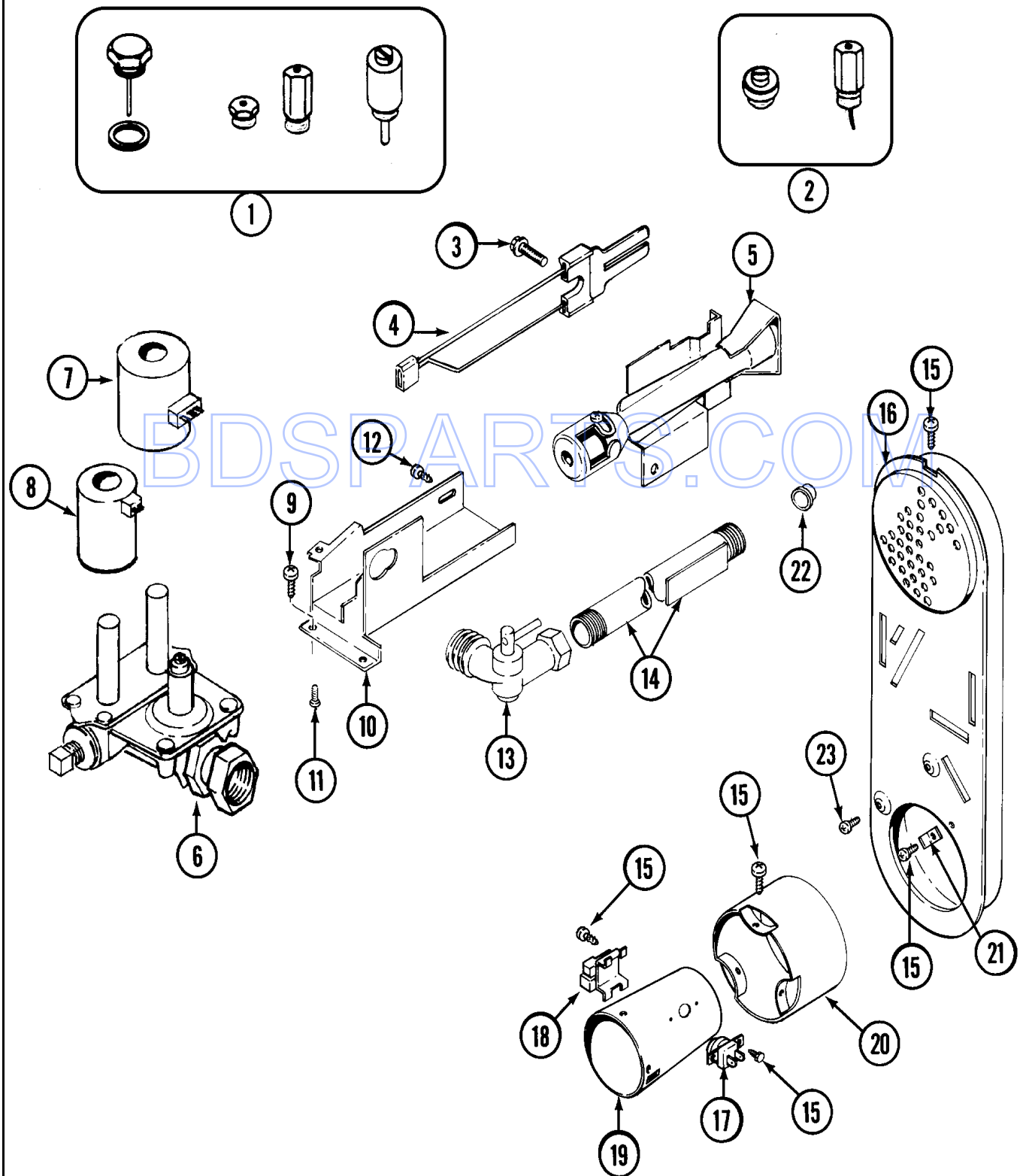
| No. | Part No.   | Description                             | Series | Qty |
|-----|------------|---|--------|-----|
| 1   | N 33001897 | CABINET (WHT)                           | 10     | 1   |
| 1   | N 33002624 | CABINET, ASSY. (WHT-AS PK)              | 36     | 1   |
| 2   | N 33001827 | BRACKET, CABINET HINGE                  | 10     | 2   |
| -   | 22001995   | SCREW Note: SCREW, HINGE                | 36     | 2   |
| -   | 22003367   | HINGE, PLASTIC                          | 36     | 2   |
| 3   | 33001795   | COVER, TERMINAL BLOCK                   | 10     | 1   |
| 4   | 22001995   | SCREW Note: SCREW, TERMINAL BLOCK COVER | 10     | 1   |
| 5   | 211881     | GROMMET, CORD                           | 10     | 1   |
| 6   | 33001284   | CORD, POWER                             | 10     | 1   |
| 7   | 22001995   | SCREW Note: SCREW, CABINET              | 10     | 2   |

BDSPARTS.COM

\*Color Code (-)=Not Shown #=Series, Serial Prefix or Run No., N=Not Available

Section: GAS VALVE

Model: MDG16CSAWW



CD14-1

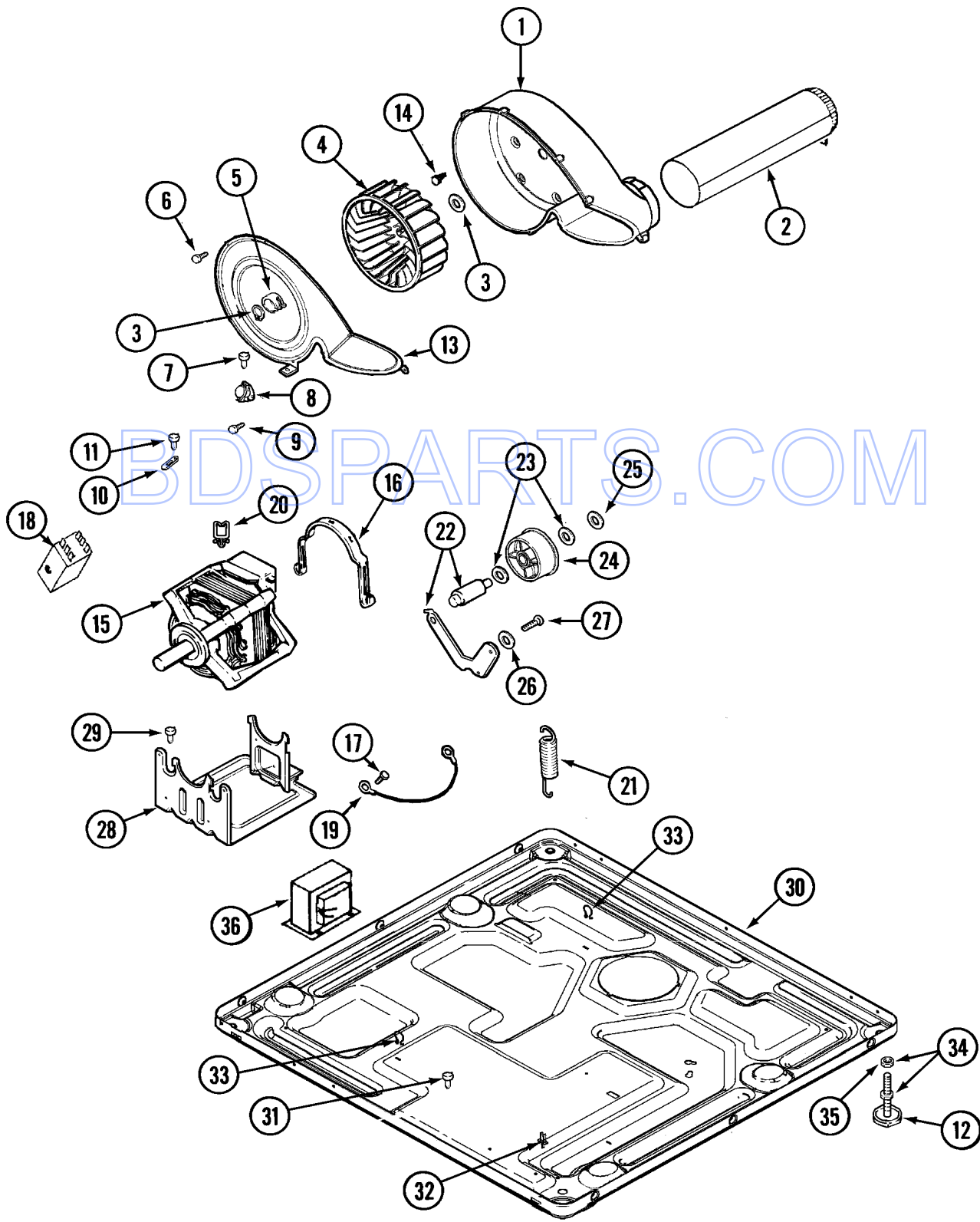
## Section: GAS VALVE

| No. | Part No.   | Description                                       | Series | Qty |
|-----|------------|---|--------|-----|
| 1   | 308378     | CONVERSION KIT (NATURAL TO LP)                    | 10     | 1   |
| 2   | 308377     | CONVERSION KIT (LP TO NATURAL)                    | 10     | 1   |
| 3   | 304971     | SCREW Note: SCREW, IGNITER                        | 10     | 1   |
| 4   | 304970     | IGNITER ASSY, GAS VALVE                           | 10     | 1   |
| 5   | 33001247   | BURNER ASSY.                                      | 10     | 1   |
| 6   | 308345     | VALVE, GAS  | 10     | 1   |
| 7   | 306106     | COIL, HOLDING & BOOSTER                           | 10     | 1   |
| 8   | 306105     | COIL, SECONDARY                                   | 10     | 1   |
| 9   | N 313561   | SCREW----NA Note: SCREW, GAS VALVE                | 10     | 2   |
| 10  | N 33001834 | BRACKET, GAS VALVE----NA                          | 10     | 1   |
| 11  | 314568     | SCREW-GAS VALVE TO BRACKET Note: SCREW, GAS VALVE | 10     | 1   |
| 11  | 314082     | SCREW Note: SCREW, GAS VALVE                      | 10     | 1   |
| 12  | 22001995   | SCREW Note: SCREW, GAS VALVE                      | 10     | 1   |
| 13  | 33001842   | CONNECTOR, ANGLE                                  | 10     | 1   |
| 14  | 33001735   | PIPE & BRACKET ASSY.                              | 10     | 1   |
| 15  | 211294     | SCREW Note: SCREW, DUCT                           | 10     | 7   |
| 16  | 33001810   | DUCT ASSY., INLET (GAS) Note: INLET DUCT ASSEMBLY | 10     | 1   |
| 17  | 305169     | THERMOSTAT, HI-LIMIT GAS                          | 10     | 1   |
| 18  | 303377     | SENSOR, RADIANT                                   | 10     | 1   |
| 19  | 33001835   | CONE ASSY., COMBUSTION                            | 10     | 1   |
| 20  | 303841     | CONE, EXTENSION (COMBUSTION)                      | 10     | 1   |
| 21  | 312890     | RETAINER, HEATER CHAMBER                          | 10     | 1   |
| 22  | 33001693   | CAP, GAS PIPE                                     | 10     | 1   |
| 23  | 22001996   | SCREW Note: SCREW, DUCT                           | 10     | 4   |

\*Color Code (-)=Not Shown #=Series, Serial Prefix or Run No., N=Not Available

Section: MOTOR DRIVE

Model: MDG16CSAWW



LD14-43

## Section: MOTOR DRIVE

| No. | Part No.   | Description   | Series | Qty |
|-----|------------|---|--------|-----|
| 1   | 33001789   | HOUSING, BLOWER                                       | 10     | 1   |
| -   | 22001995   | SCREW Note: SCREW, EXHAUST DUCT ASSEMBLY              | 10     | 1   |
| 2   | 33001800   | DUCT ASSY., EXHAUST                                   | 10     | 1   |
| 3   | 410233     | RING, RETAINING                                       | 10     | 2   |
| 4   | 33001790   | WHEEL, BLOWER   | 10     | 1   |
| 5   | 312967     | CLAMP, BLOWER HOUSING                                 | 10     | 1   |
| 6   | 33001855   | SCREW (HEX HEAD) Note: SCREW, HOUSING COVER           | 10     | 8   |
| 7   | N 313561   | SCREW----NA Note: SCREW, HOUSING COVER                | 10     | 3   |
| 8   | 303392     | CYCLING THERMOSTAT 140 DEG. Note: THERMOSTAT, CYCLING | 10     | 1   |
| 8   | 306966     | THERMOSTAT, MULTI-TEMP Note: THERMOSTAT, MULTI-TEMP.  | 10     | 1   |
| 9   | 22001996   | SCREW Note: SCREW, THERMOSTAT                         | 10     | 4   |
| 10  | 33001762   | FUSE, THERMAL (W' BRACKET)                            | 10     | 1   |
| 11  | 314848     | SCREW Note: SCREW, THERMAL CUT-OFF                    | 10     | 1   |
| 12  | 314137     | FOOT, RUBBER  | 10     | 4   |
| 13  | 33001796   | COVER, BLOWER HOUSING                                 | 10     | 1   |
| 14  | 314818     | SCREW Note: SCREW, BLOWER HOUSING                     | 10     | 4   |
| 15  | 33001853   | MOTOR (W/PULLEY) Note: MOTOR (W/V PULLEY)             | 10     | 1   |
| 15  | 33002478   | MOTOR   | 28     | 1   |
| 15  | 33002462   | MOTOR (120V 60HZ)                                     | 26     | 1   |
| 15  | 33001276   | TORSION TIMER ASSY. (240-50HZ)                        | 40     | 1   |
| 15  | 33002237   | MOTOR (W/PULLEY)                                      | 23     | 1   |
| 16  | 015825     | CLIP, MOTOR   | 10     | 2   |
| 17  | 910343     | SCREW, GROUND WIRE                                    | 10     | 2   |
| 18  | 33001854   | SWITCH, MOTOR   | 10     | 1   |
| 19  | 901220     | WIRE, GROUND  | 10     | 1   |
| 20  | 310376     | CLIP, WIRE HARNESS                                    | 10     | 1   |
| -   | 33002461   | PLUG FOR SPRING                                       | 25     | 1   |
| 21  | 33001754   | SPRING, IDLER   | 10     | 1   |
| 21  | 33002460   | SPRING, IDLER Note: SPRING & PLUG KIT 33002459        | 25     | 1   |
| -   | 33002157   | GROMMET   | 10     | 1   |
| 22  | 33001782   | IDLER ARM & SHAFT ASSY.                               | 10     | 1   |
| 23  | 312527     | WASHER, IDLER SHAFT (QTY-1)                           | 10     | 2   |
| 24  | 33001783   | BEARING, IDLER ASSEMBLY                               | 10     | 1   |
| 25  | 312958     | RETAINING RING, IDLER SHAFT                           | 10     | 1   |
| 26  | 315772     | SLEEVE, IDLER ARM                                     | 10     | 1   |
| 27  | 014874     | SCREW Note: SCREW, IDLER ARM SLEEVE                   | 10     | 1   |
| 28  | 33002466   | SUPPORT, MOTOR  | 25     | 1   |
| 28  | 33001752   | SUPPORT, MOTOR  | 10     | 1   |
| -   | N 313561   | SCREW----NA Note: SCREW, SUPPORT                      | 25     | 1   |
| 29  | N 313561   | SCREW----NA Note: SCREW, MOTOR & BLOWER               | 10     | 2   |
| 30  | N 33002465 | BASE, (LWR)----NA                                     | 38     | 1   |
| 30  | 33002622   | BASE, (LWR)   | 36     | 1   |
| 30  | N 33002465 | BASE, (LWR)----NA                                     | 25     | 1   |
| 30  | 33001845   | BASE Note: BASE                                       | 10     | 1   |
| 31  | 22001078   | SCREW Note: SCREW, RELAY & BASE                       | 10     | 2   |
| 32  | 315471     | RETAINER, WIRE  | 10     | 1   |
| 33  | 410490     | SPRING, WIRE HARNESS                                  | 10     | 2   |
| 34  | 305086     | ADJUSTABLE LEG & NUT                                  | 10     | 4   |
| 35  | 052740     | NUT Note: NUT, LEG                                    | 10     | 4   |

\*Color Code (-)=Not Shown #=Series, Serial Prefix or Run No., N=Not Available

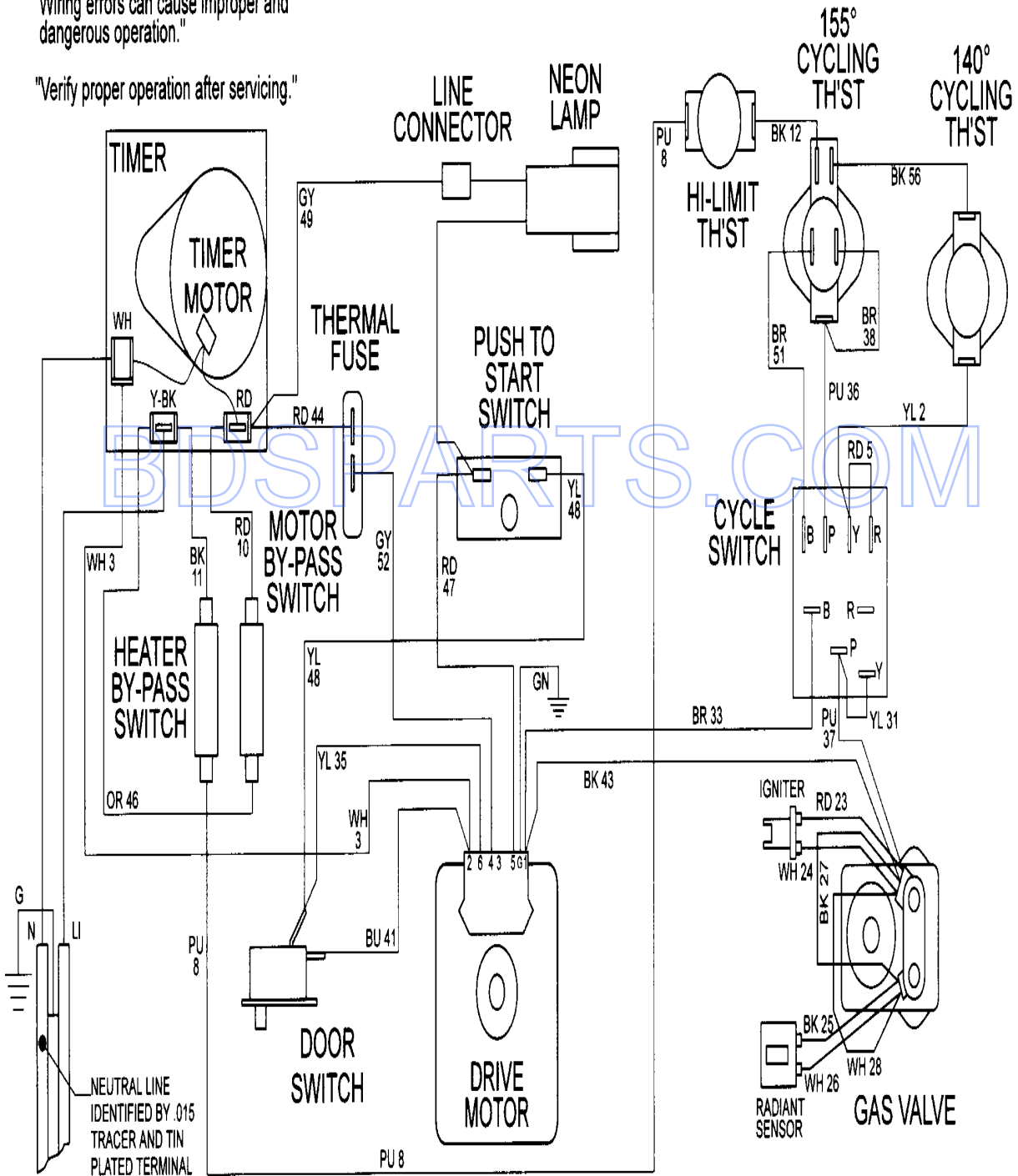
**Section: WIRING INFORMATION**

**Model: MDG16CSAWW**

"CAUTION: Label all wires prior to disconnection when servicing controls. Wiring errors can cause improper and dangerous operation."

**ELECTRICAL SCHEMATIC**

"Verify proper operation after servicing."



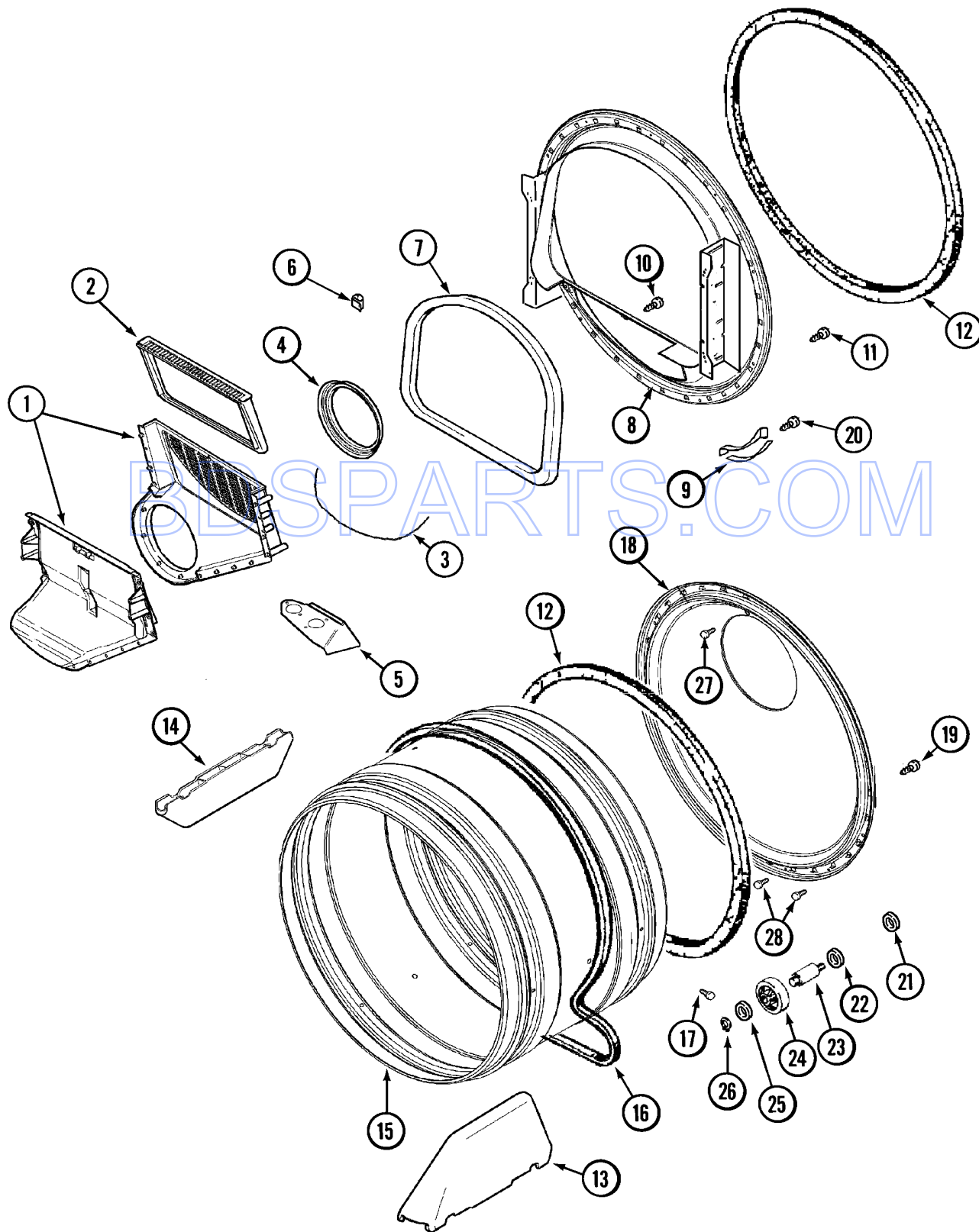
POWER CORD

15002371



Section: TUMBLER

Model: MDG16CSAWW



LD13-39

## Section: TUMBLER

| No. | Part No.   | Description   | Series | Qty |
|-----|------------|---|--------|-----|
| 1   | 33001799   | OUTLET DUCT ASSEMBLY                                | 10     | 1   |
| 2   | 33001804   | FILTER, LINT  | 10     | 1   |
| 3   | N 33001775 | SEAL, OUTLET DUCT                                   | 10     | 1   |
| 4   | 33001758   | SEAL, BLOWER  | 10     | 1   |
| 5   | 33001837   | COVER, THERMOSTAT (ELEC ONLY)                       | 10     | 1   |
| 6   | 310376     | CLIP, WIRE HARNESS                                  | 10     | 1   |
| 7   | 33001767   | SEAL, SHROUD  | 10     | 1   |
| 8   | 33001802   | FRONT, TUMBLER (W/SEAL)                             | 10     | 1   |
| 9   | 306508     | TUMBLER BEARING KIT                                 | 10     | 2   |
| 10  | N 312311   | SCREW----NA Note: SCREW, OUTLET DUCT (PHILLIPS)     | 10     | 1   |
| 11  | 33001855   | SCREW (HEX HEAD) Note: SCREW, DUCT TO TUMBLER (HEX) | 10     | 4   |
| 12  | 33001807   | SEAL, TUMBLER                                       | 10     | 2   |
| 13  | 33001756   | BAFFLE (TALL)                                       | 10     | 2   |
| 14  | 33001755   | BAFFLE (SHORT)                                      | 10     | 1   |
| 15  | 33001794   | TUMBLER   | 10     | 1   |
| 16  | 33001777   | BELT, TUMBLER                                       | 10     | 1   |
| 17  | 33001788   | SCREW, BAFFLE                                       | 10     | 6   |
| 18  | 33001801   | BACK, TUMBLER (W/SEAL)                              | 10     | 1   |
| 19  | 33002190   | SCREW (#10-3/8")                                    | 10     | 4   |
| 20  | 210720     | RIVET   | 10     | 4   |
| 21  | 33001443   | NUT, HEX (ROLLER SHAFT)                             | 10     | 2   |
| 22  | 313347     | WASHER, SPRING (ROLLER SHAFT)                       | 10     | 2   |
| 23  | 312948     | SHAFT, TUMBLER ROLLER                               | 10     | 2   |
| 24  | 303373     | BEARING & ROLLER ASSEMBLY Note: ROLLER (W/BEARING)  | 10     | 2   |
| 25  | 312535     | WASHER, ROLLER SHAFT                                | 10     | 2   |
| 26  | 410233     | RING, RETAINING                                     | 10     | 2   |
| 27  | 210932     | SCREW, #8 X 9/16 CTSK Note: SCREW, INLET DUCT       | 10     | 1   |
| 28  | 22001996   | SCREW Note: SCREW, INLET DUCT                       | 10     | 2   |

\*Color Code (-)=Not Shown #=Series, Serial Prefix or Run No., N=Not Available

