

# DRYER

## Repair Parts List

MODEL NUMBER

MDG16MNDWW

BDSPARTS.COM

When requesting service or ordering parts, always provide the following information:

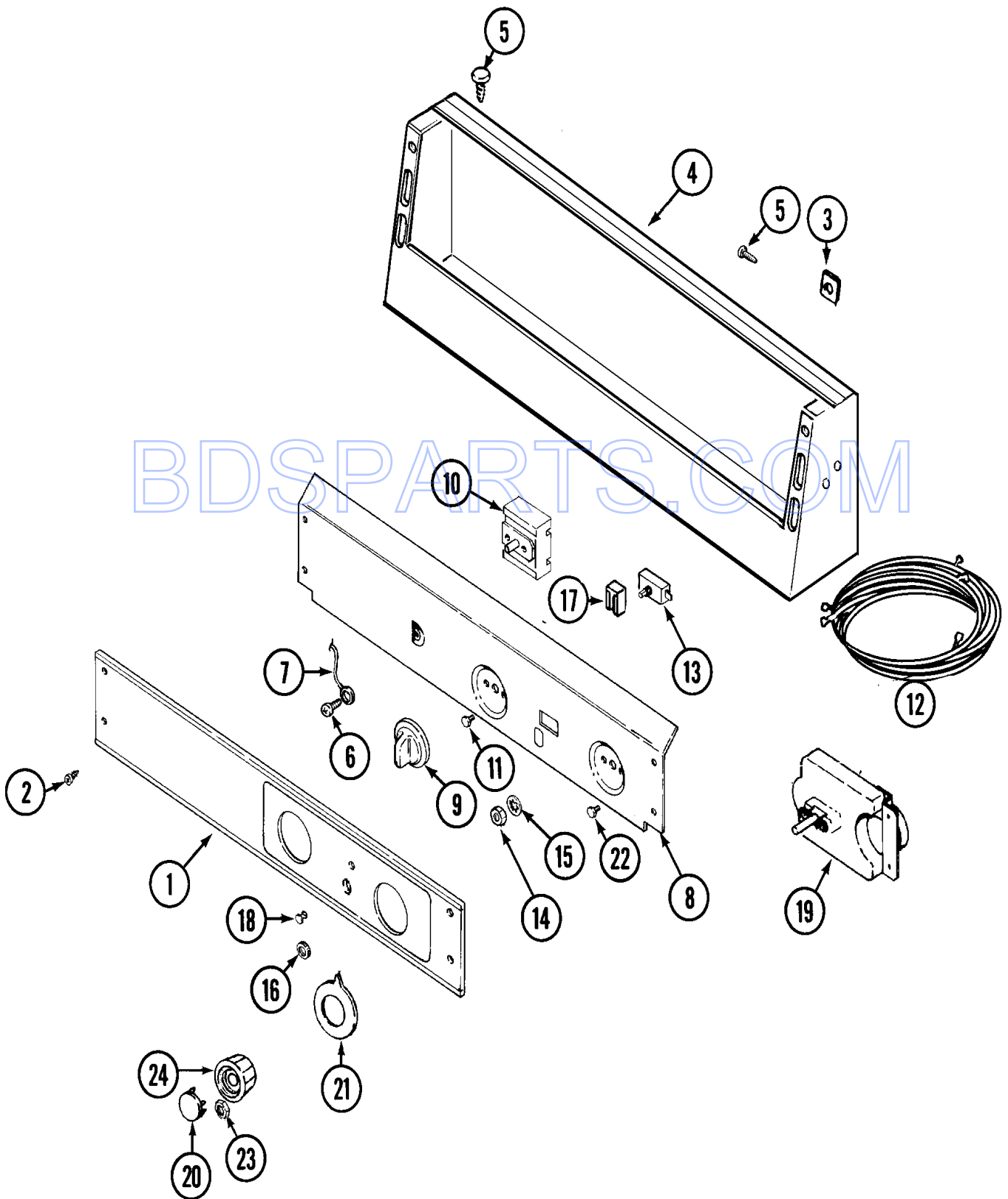
- Product Type
- Part Number
- Model Number
- Part Description

**MAYTAG**®

©2005 Maytag Services

Section: CONTROL PANEL

Model: MDG16MNDWW



CD11-5

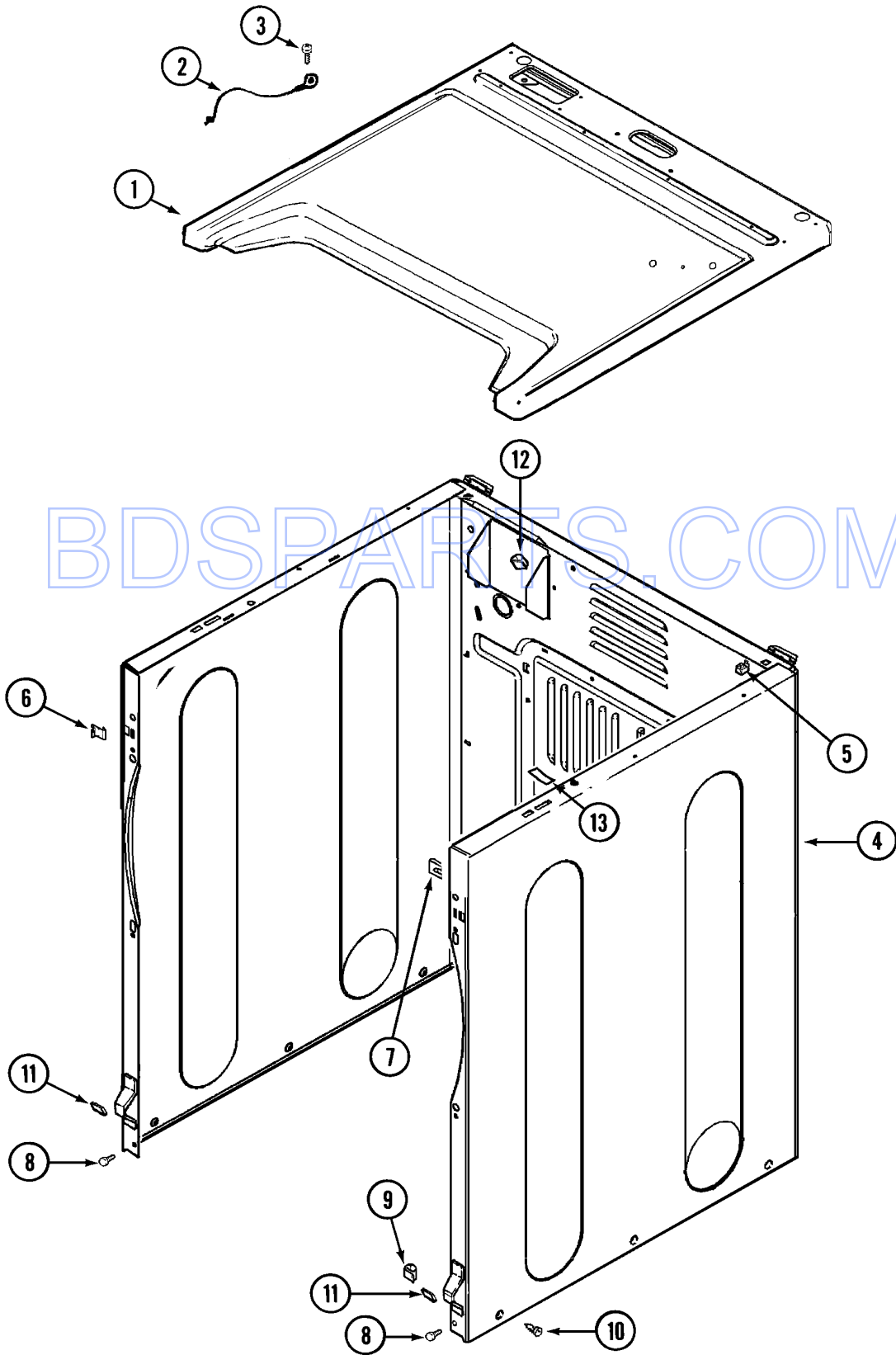
## Section: CONTROL PANEL

No.	Part No.	Description	Series	Qty
1	33002937	Facia - MN (CONTROL PANEL)	10	1
2	215506	SCREW, TORX Note: SCREW, CONTROL PANEL	10	4
3	215003	FASTENER Note: CLIP, SCREW	10	2
4	22003101	CONSOLE (WHT)	10	1
5	22001996	SCREW Note: SCREW, CONSOLE	10	7
6	211252	SCREW Note: SCREW, GROUND WIRE	10	1
7	205810	WIRE, GROUND	10	1
8	33002524	BRACKET, BACK (WHT)	10	1
9	306938	KNOB, SELECTOR SWITCH	10	1
10	307237	SWITCH, CYCLE SELECTOR	10	1
11	313588	SCREW Note: SCREW, SELECTOR SWITCH	10	2
12	33002246	WIRE HARNESS, MAIN	10	1
13	306940	SWITCH, PUSH-TO-START	10	1
14	Y312706	HEX NUT ON SWITCH Note: NUT, SWITCH	10	1
15	312751	LOCK WASHER Note: WASHER, SWITCH	10	1
16	Y312702	KNURLED NUT Note: NUT, KNURLED	10	1
17	33002798	LAMP, PILOT Note: LIGHT, INDICATOR	10	1
18	215564	LENS, INDICATOR (AMBER)	10	1
19	305214	TIMER	10	1
20	314723	CAP FOR TIMER KNOB	10	1
21	33001500	SKIRT, DIAL	10	1
22	313588	SCREW Note: SCREW, TIMER	10	2
23	312273	NUT Note: NUT, TIMER KNOB	10	1
24	314724	KNOB FOR TIMER Note: KNOB, TIMER	10	1
-	16009021	MANUAL, SERVICE-NO REFUND	10	1
-	33002671	USE & CARE MANUAL	10	1

\*Color Code (-)=Not Shown #=Series, Serial Prefix or Run No., N=Not Available

Section: CABINET-FRONT

Model: MDG16MNDWW



LD12-73

**Section: CABINET-FRONT**

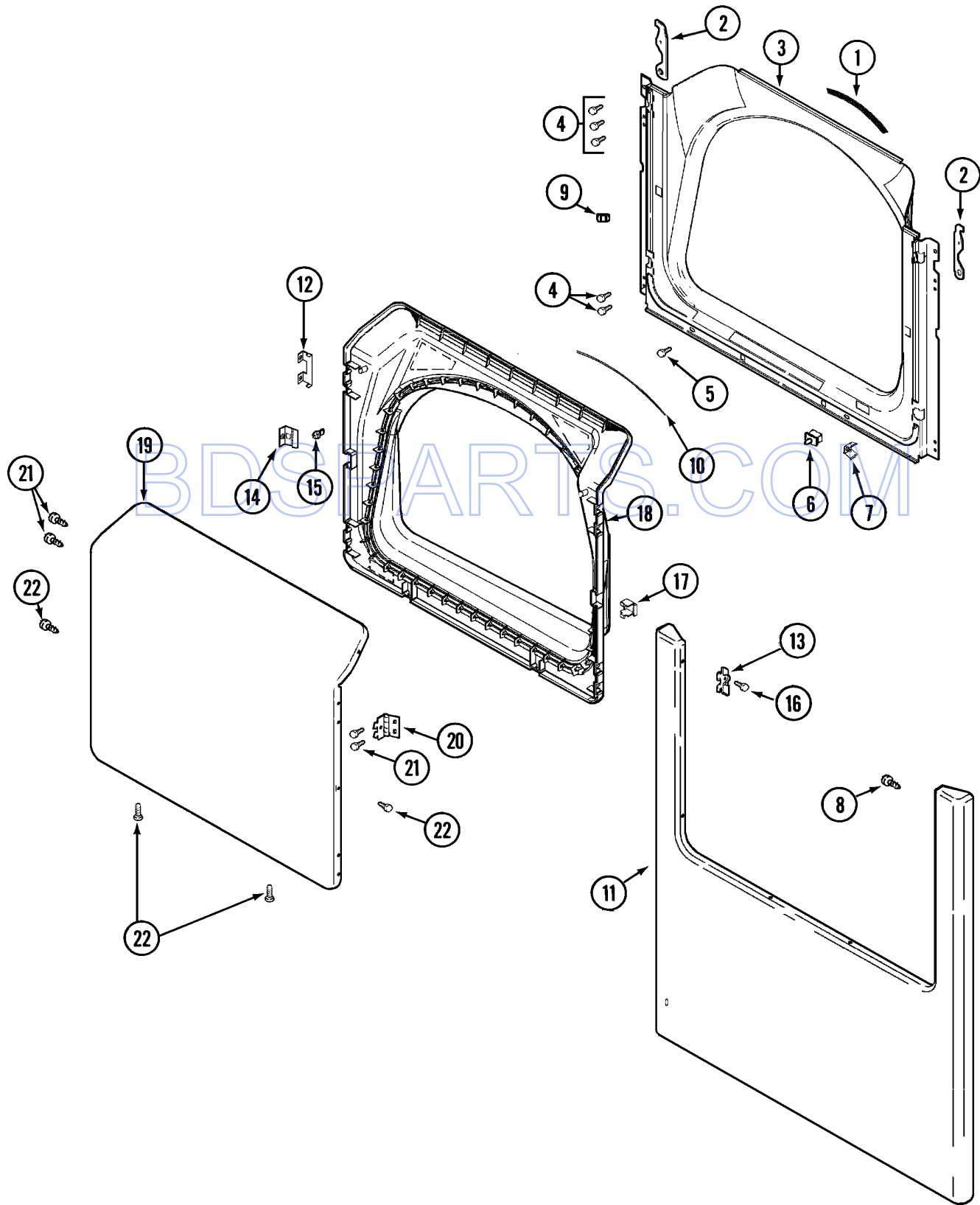
No.	Part No.	Description	Series	Qty
1	33002631	COVER, TOP (WHT-AS PK)	10	1
2	22001959	WIRE, GROUND	10	1
3	210186	SCREW, GROUND WIRE TO BASE--NA Note: SCREW, GROUND WIRE	10	1
4	N 22003643	CABINET ASSY. (WHT AS PK)	10	1
5	310933	FASTENER	10	2
6	22002049	CLIP	10	2
7	213280	FRONT PANEL BRACKET/FASTENER Note: RETAINER, SHROUD	10	2
8	22001995	SCREW Note: SCREW, CABINET	10	2
9	310376	CLIP, WIRE HARNESS	10	1
10	22003409	SCREW----NA Note: SCREW, CABINET (TRUSS)	36	6
10	213007	SCREW, CABINET	10	6
11	22002239	CLIP, LOWER FRONT PANEL	10	2
12	310376	CLIP, WIRE HARNESS	10	1
13	33001836	STRAP, TOP COVER SUPPORT	10	1

BDSPARTS.COM

\*Color Code (-)=Not Shown #=Series, Serial Prefix or Run No., N=Not Available

Section: DOOR

Model: MDG16MNDWW



CD12-21

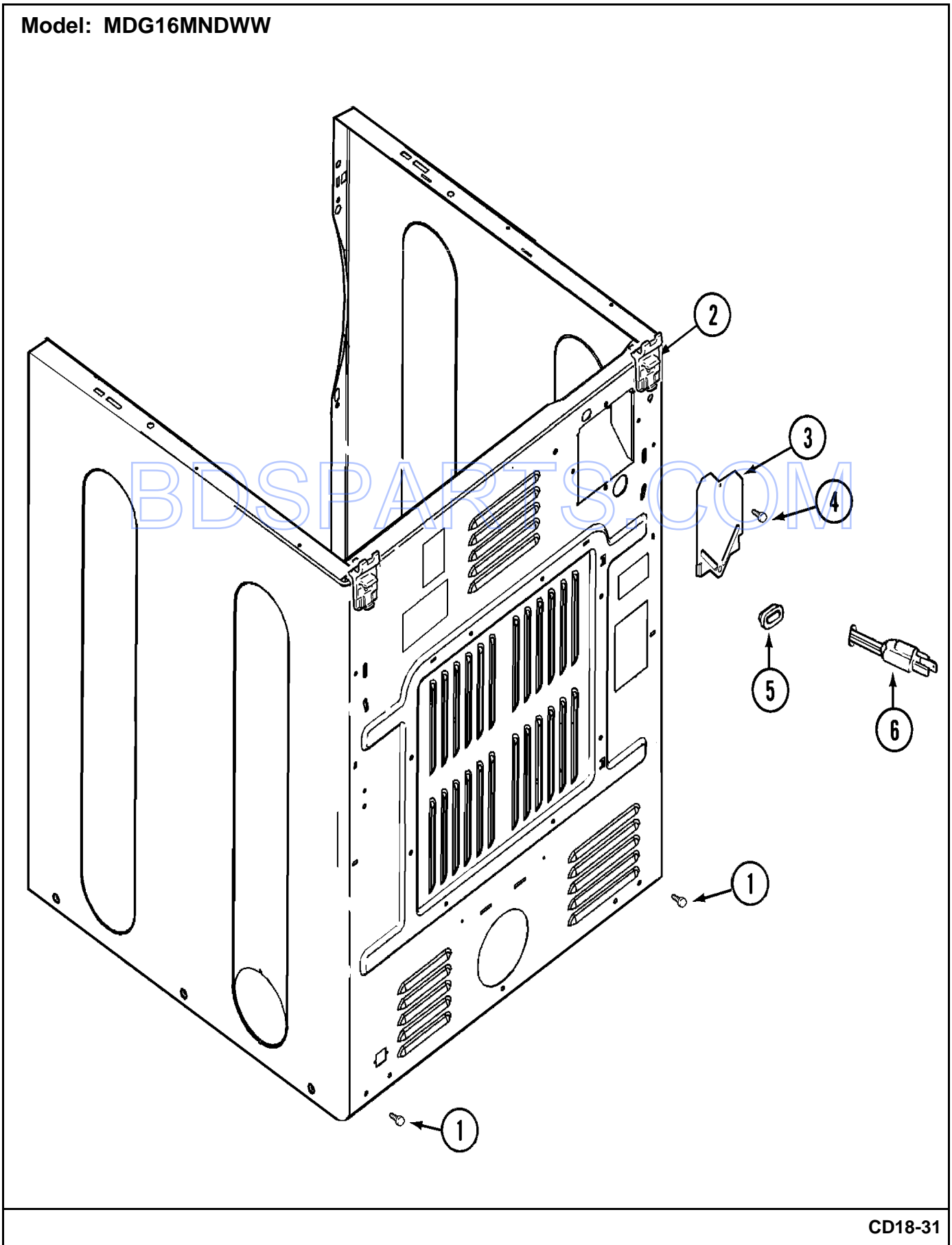
## Section: DOOR

No.	Part No.	Description	Series	Qty
1	33001767	SEAL, SHROUD	10	1
2	22002247	HOOK, SECURITY	10	2
3	33001900	SHROUD (WHT)	10	1
4	22001995	SCREW Note: SCREW, TUMBLER FRONT & SHROUD	10	10
5	33001768	SCREW, SHROUD Note: SCREW, SHROUD & OUTLET DUCT	10	2
6	33001509	SWITCH, DOOR	10	1
7	33001760	BRACKET, HINGE	10	4
8	22002243	SCREW Note: SCREW, HINGE BRACKET	10	2
-	22002244	CLIP, GROUNDING	10	1
9	Y304578	CATCH, DOOR (FEMALE)	10	2
10	33002094	SEAL, DOOR	10	1
11	33001901	PANEL, FRONT (WHT)	10	1
-	213280	FRONT PANEL BRACKET/FASTENER Note: FASTENER, FRONT PANEL	10	2
12	22002038	CLIP, DOOR (DOUBLE)	10	4
13	33001764	COVER, HINGE HOLE (WHT)	10	2
14	33001793	BRACKET, STRIKE	10	1
15	33001761	STRIKE, DOOR (MALE)	10	1
16	33001846	SCREW Note: SCREW, HINGE HOLE COVER	10	2
17	33001763	PLUG, INNER DOOR	10	1
18	33001899	DOOR, INNER (WHT)	10	1
-	22002063	SCREW #8-18AB WAFER HD	10	2
-	22002039	CLIP, DOOR (SINGLE)	10	2
19	33001904	DOOR, OUTER (WHT) Note: DOOR, OUTER (WHT)	10	1
20	33001759	HINGE, DOOR	10	2
21	22002062	SCREW Note: SCREW, HINGE	10	4
22	22002063	SCREW #8-18AB WAFER HD	10	8

\*Color Code (-)=Not Shown #=Series, Serial Prefix or Run No., N=Not Available

Section: CABINET-REAR

Model: MDG16MNDWW



CD18-31



**Section: CABINET-REAR**

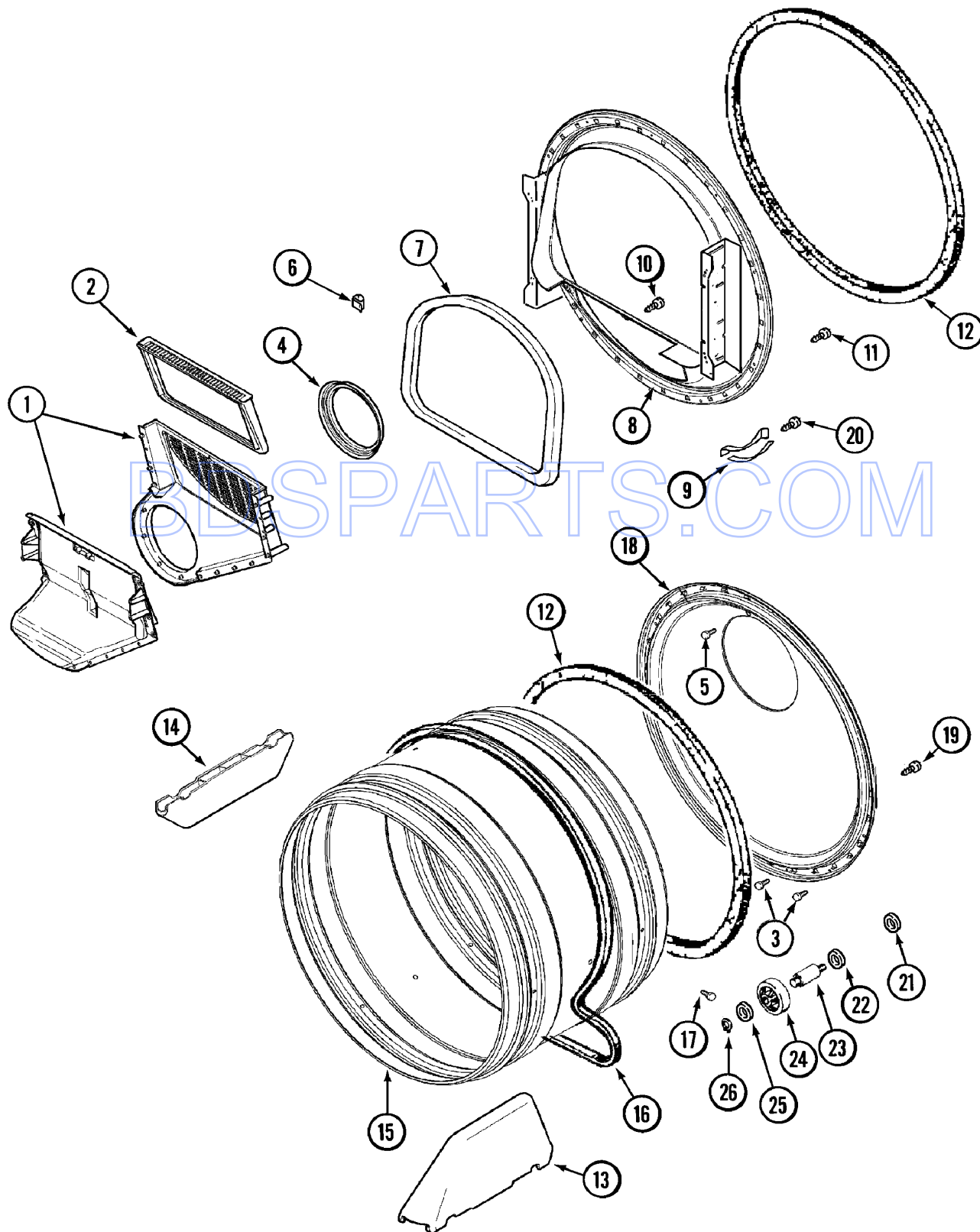
No.	Part No.	Description	Series	Qty
1	22001995	SCREW Note: SCREW, CABINET	10	2
2	22004095	HINGE, PLASTIC	10	2
-	22001995	SCREW Note: SCREW, HINGE	10	2
3	33001795	COVER, TERMINAL BLOCK	10	1
4	22001995	SCREW Note: SCREW, TERMINAL BLOCK COVER	10	1
5	211881	GROMMET, CORD	10	1
6	33002778	POWER CORD	10	1

BDSPARTS.COM

\*Color Code (-)=Not Shown #=Series, Serial Prefix or Run No., N=Not Available

Section: TUMBLER

Model: MDG16MNDWW



CD16-29

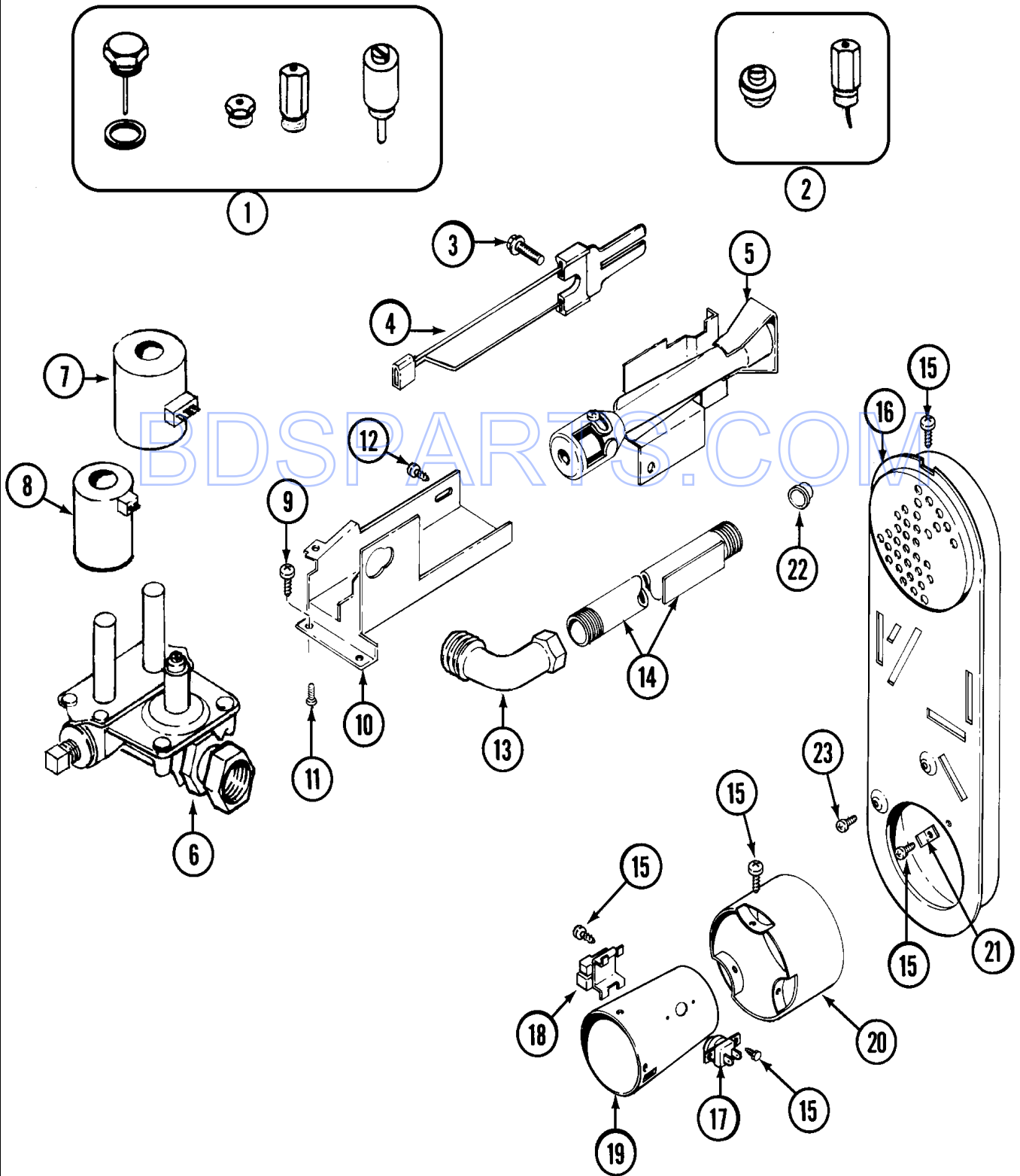
## Section: TUMBLER

No.	Part No.	Description	Series	Qty
1	33001799	OUTLET DUCT ASSEMBLY	10	1
2	33002790	LINT FILTER	10	1
3	210932	SCREW, #8 X 9/16 CTSK Note: SCREW, INLET DUCT	10	1
4	33002560	SEAL, BLOWER	10	1
5	22001996	SCREW Note: SCREW, INLET DUCT	10	2
6	310376	CLIP, WIRE HARNESS	10	1
7	33001767	SEAL, SHROUD	10	1
8	33001802	FRONT, TUMBLER (W/SEAL)	10	1
9	306508	TUMBLER BEARING KIT	10	2
10	N 312311	SCREW----NA Note: SCREW, OUTLET DUCT (PHILLIPS)	10	1
11	33001855	SCREW (HEX HEAD) Note: SCREW, DUCT TO TUMBLER (HEX)	10	4
12	33001807	SEAL, TUMBLER	10	2
13	33001756	BAFFLE (TALL)	10	2
14	33001755	BAFFLE (SHORT)	10	1
15	33001794	TUMBLER	10	1
16	33002535	V-BELT (TUMBLER)	10	1
17	33001788	SCREW, BAFFLE	10	6
18	33003037	TUMBLER BACK & SEAL	17	1
18	33002779	TUMBLER BACK & SEAL AS-PACK	10	1
19	22001995	SCREW	10	4
20	210720	RIVET	10	4
21	33001443	NUT, HEX (ROLLER SHAFT)	10	2
22	Y313347	WASHER, SPRING (ROLLER SHAFT)	10	2
23	312948	SHAFT, TUMBLER ROLLER	10	2
24	Y303373	BEARING & ROLLER ASSEMBLY Note: ROLLER (W/BEARING)	10	2
25	312535	WASHER, ROLLER SHAFT	10	2
26	410233	RING, RETAINING	10	2

\*Color Code (-)=Not Shown #=Series, Serial Prefix or Run No., N=Not Available

Section: GAS VALVE

Model: MDG16MNDWW



CD14-5

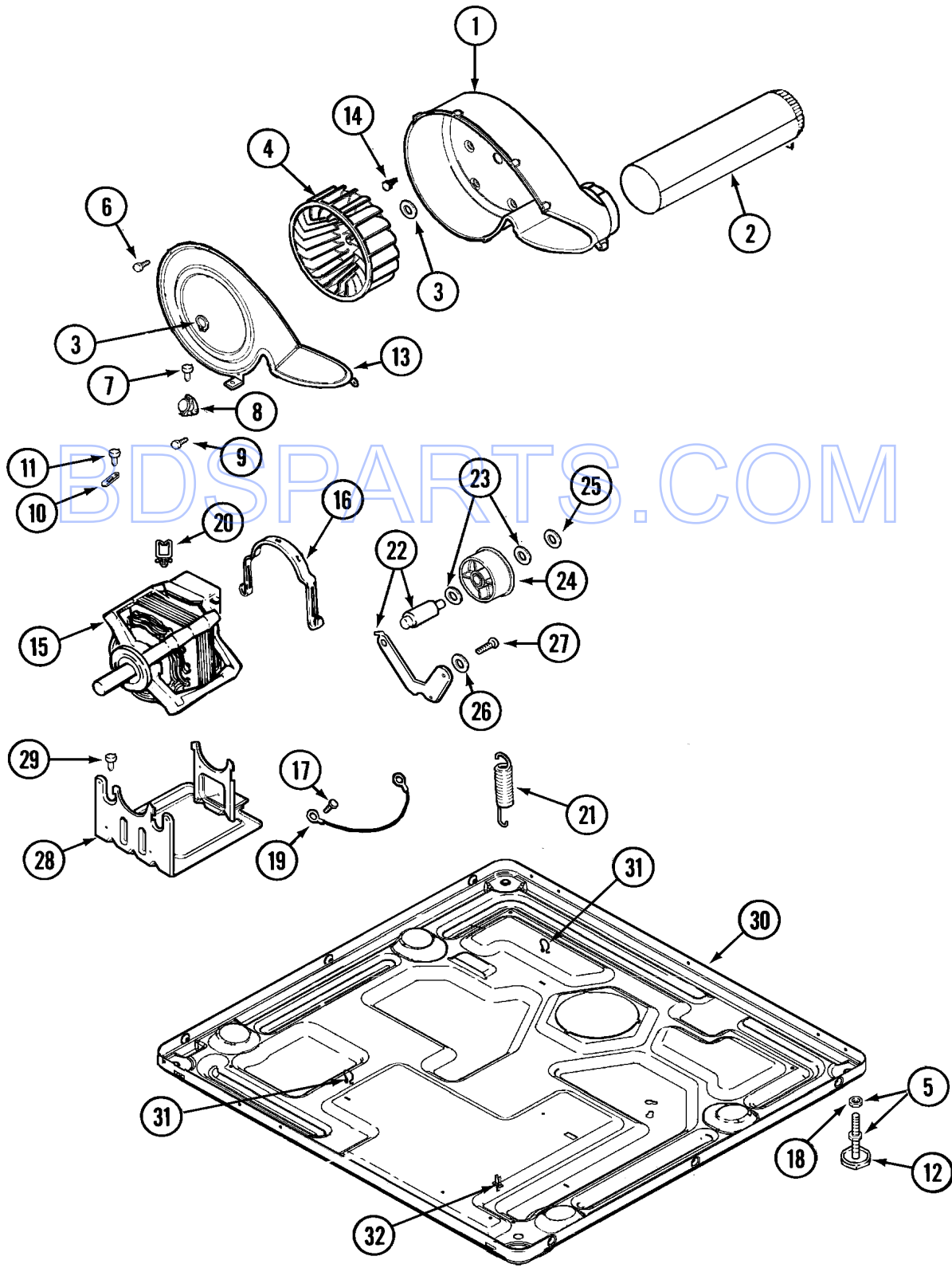
## Section: GAS VALVE

No.	Part No.	Description	Series	Qty
1	308378	CONVERSION KIT (NATURAL TO LP)	10	1
2	Y308377	CONVERSION KIT (LP TO NATURAL)	10	1
3	304971	SCREW Note: SCREW, IGNITER	10	1
4	33002789	IGNITER ASSEMBLY	10	1
5	33002793	BURNER ASSEMBLY	10	1
6	308345	VALVE, GAS	19	1
6	308345	VALVE, GAS	10	1
6	33003031	CONTROL, GAS ASSEMBLY	18	1
7	306106	COIL, HOLDING & BOOSTER	10	1
8	306105	COIL, SECONDARY	10	1
9	N 313561	SCREW----NA Note: SCREW, GAS VALVE	10	2
10	33002710	BRACKET, GAS CONTROL	10	1
11	314568	SCREW-GAS VALVE TO BRACKET Note: SCREW, GAS VALVE	10	1
11	314082	SCREW Note: SCREW, GAS VALVE	10	1
12	22001995	SCREW Note: SCREW, GAS VALVE	10	1
13	33001842	CONNECTOR, ANGLE Note: SERIES 18 NOT NEEDED USE VAVLE	10	1
14	33001735	PIPE & BRACKET ASSY. Note: SERIES 18 NOT NEEDED USE VAVLE	10	1
15	211294	SCREW Note: SCREW, DUCT	10	7
16	33001810	DUCT ASSY., INLET (GAS) Note: INLET DUCT ASSEMBLY	10	1
16	33003039	ASSY,INLET DUCT-GAS	17	1
17	305169	THERMOSTAT, HI-LIMIT GAS	10	1
18	303377	SENSOR, RADIANT	10	1
19	33001835	CONE ASSY., COMBUSTION	10	1
20	Y303841	CONE, EXTENSION (COMBUSTION)	10	1
21	Y312890	RETAINER, HEATER CHAMBER	10	1
22	33001693	CAP, GAS PIPE	10	1
23	211294	SCREW Note: SCREW, DUCT	10	4

\*Color Code (-)=Not Shown #=Series, Serial Prefix or Run No., N=Not Available

Section: MOTOR DRIVE & BASE

Model: MDG16MNDWW



## Section: MOTOR DRIVE & BASE

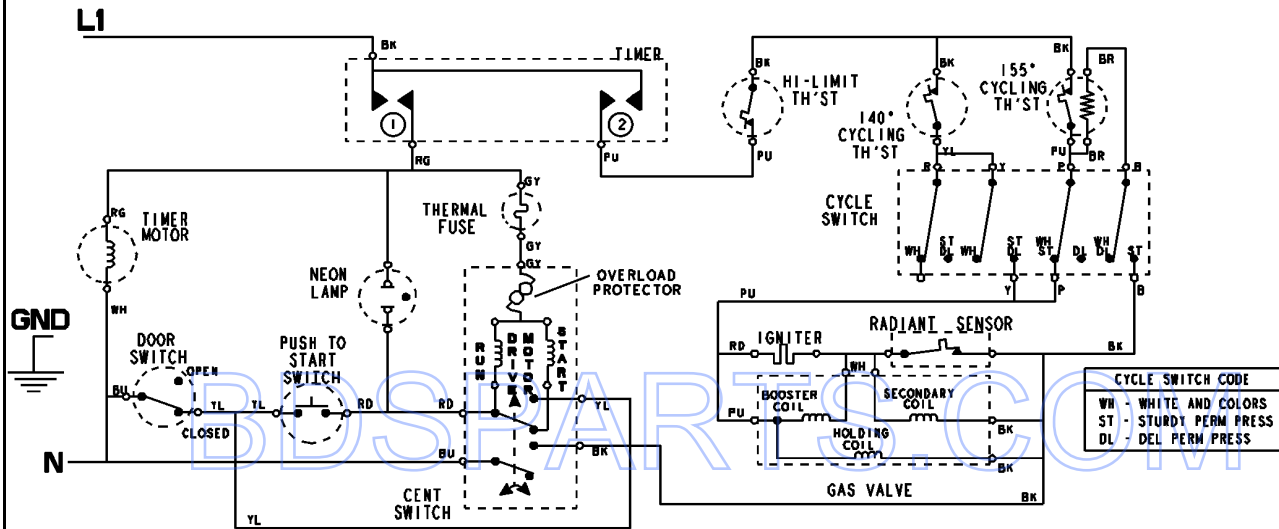
No.	Part No.	Description	Series	Qty
1	33001789	HOUSING, BLOWER	10	1
2	33001800	DUCT ASSY., EXHAUST	10	1
-	22001995	SCREW Note: SCREW, EXHAUST DUCT ASSEMBLY	10	1
3	410233	RING, RETAINING	10	2
4	33001790	WHEEL, BLOWER	10	1
5	305086	ADJUSTABLE LEG & NUT	10	4
6	33001855	SCREW (HEX HEAD) Note: SCREW, HOUSING COVER	10	8
7	N 313561	SCREW----NA Note: SCREW, HOUSING COVER	10	3
8	306966	THERMOSTAT, MULTI-TEMP Note: THERMOSTAT, MULTI-TEMP.	10	1
8	303392	CYCLING THERMOSTAT 140 DEG. Note: THERMOSTAT, CYCLING	10	1
9	22001996	SCREW Note: SCREW, THERMOSTAT	10	4
10	33001762	FUSE, THERMAL (W' BRACKET)	10	1
11	314848	SCREW Note: SCREW, THERMAL CUT-OFF	10	1
12	314137	FOOT, RUBBER	10	4
13	33002711	COVER, BLOWER HOUSING	10	1
14	314818	SCREW Note: SCREW, BLOWER HOUSING	10	4
15	33002795	MOTOR, DRIVE 60HZ	10	1
16	33002221	CLIP, MOTOR	10	2
17	910343	SCREW, GROUND WIRE	10	1
18	Y052740	NUT Note: NUT, LEG	10	4
19	901220	WIRE, GROUND	10	1
20	310376	CLIP, WIRE HARNESS	10	1
-	33002461	PLUG FOR SPRING	10	1
21	33002460	SPRING, IDLER Note: SPRING & PLUG KIT 33002459	10	1
22	33001840	IDLER ARM & SHAFT ASSY.	10	1
23	312527	WASHER, IDLER SHAFT (QTY-1)	10	2
24	33001783	BEARING, IDLER ASSEMBLY	10	1
25	312958	RETAINING RING, IDLER SHAFT	10	1
26	33002218	GROMMET, IDLER ARM	10	1
27	Y014874	SCREW Note: SCREW, IDLER ARM SLEEVE	10	1
28	33002817	MOTOR SUPPORT, OFFSET	10	1
29	N 313561	SCREW----NA Note: SCREW, MOTOR & BLOWER	10	2
30	N 33002465	BASE, (LWR)----NA	10	1
31	410490	SPRING, WIRE HARNESS	10	2
32	315471	RETAINER, WIRE	10	1

\*Color Code (-)=Not Shown #=Series, Serial Prefix or Run No., N=Not Available

# Section: WIRING INFORMATION

Model: MDG16MNDWW

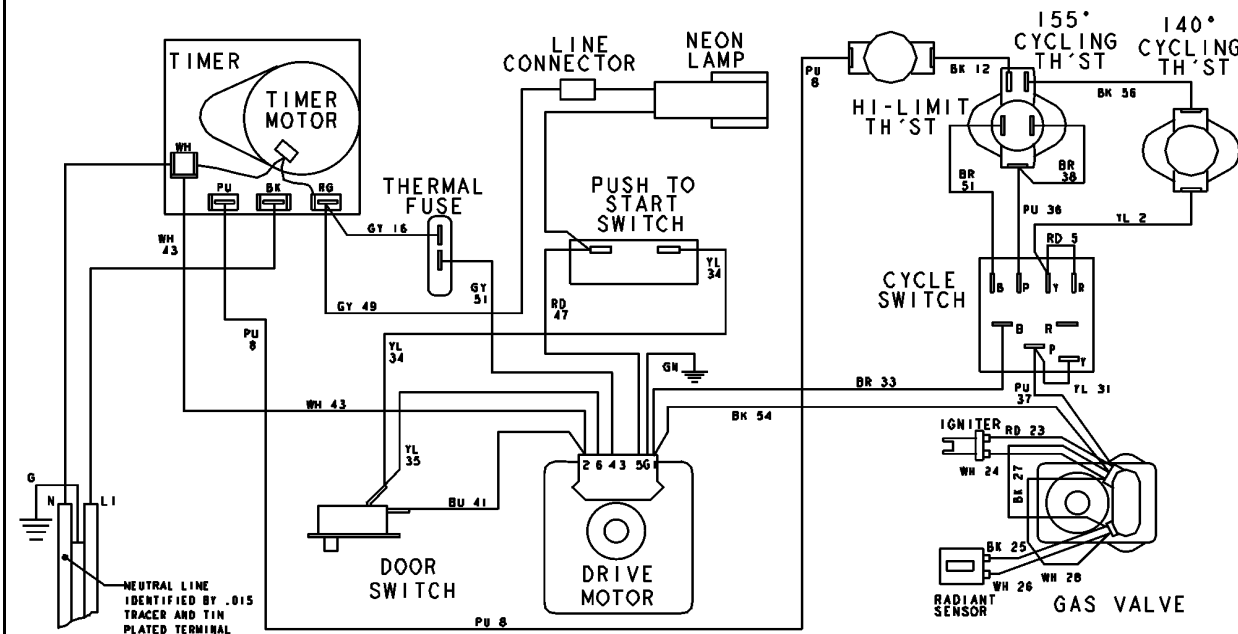
TIMER INFORMATION			115 MIN	
CAM NO.	CIRCUIT	FUNCTION	OFF	3 MIN COOL PERIOD
①	BK-RG	MOTOR		
②	BK-PU	HEATER		



**ELECTRICAL SCHEMATIC**

CAUTION "Label all wires prior to disconnection when servicing controls. Wiring errors can cause improper and dangerous operation."

"Verify proper operation after serving."



POWER CORD

MDG 16MN

**ELECTRICAL WIRING DIAGRAM**

15003522



