

# DRYER

## Repair Parts List

MODEL NUMBER  
MDG16PDAWQ

When requesting service or ordering parts, always provide the following information:

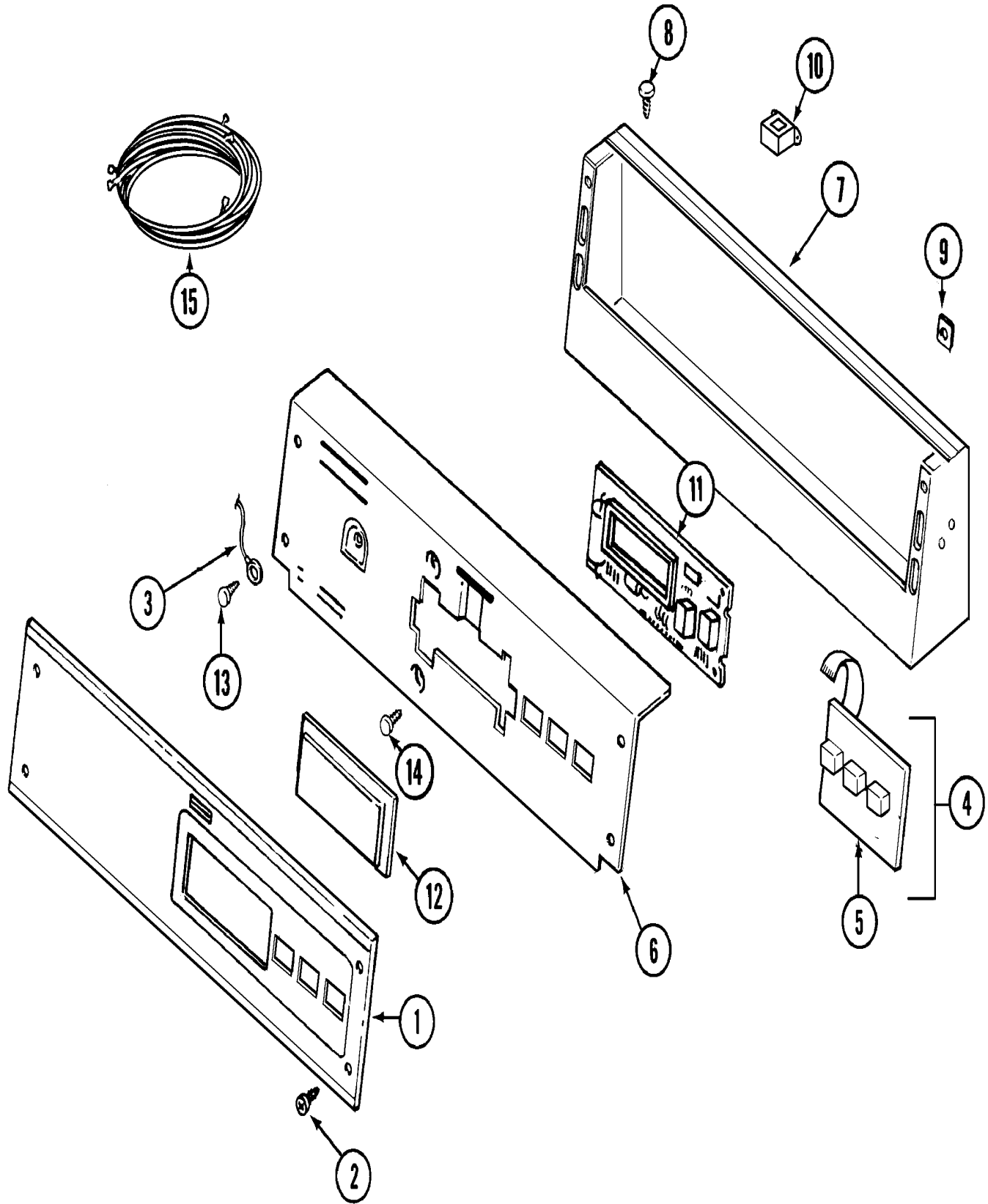
- Product Type
- Part Number
- Model Number
- Part Description

**MAYTAG**®

©2005 Maytag Services

Section: CONTROL PANEL (MDG16PDAWQ/MDG16PDAXQ)

Model: MDG16PDAWQ



## Section: CONTROL PANEL (MDG16PDAWQ/MDG16PD

No.	Part No.	Description	Series	Qty
1	33001784	PANEL, CONTROL	23	1
2	215506	SCREW, TORX Note: SCREW, CONTROL PANEL	23	4
3	22001959	WIRE, GROUND	23	1
4	306694	BACKUP PLATE WITH SWITCH Note: CONTROL SWITCH ASSEMBLY	23	1
-	215527	SCREW Note: SCREW, SWITCH	23	2
5	215517	PUSHBUTTON Note: PUSHBUTTON, CONTROL SWITCH	23	1
6	33002429	BRACKET, BACK (BSQ)	23	1
-	22001511	DEFLECTOR, WATER (W/ADHESIVE)	23	1
6 N	33002520	PLATE, BACK-UP (BSQ) Note: BRACKET, BACK (BSQ)	29	1
7	22003088	CONSOLE (BSQ)	29	1
7	22002889	CONSOLE (BSQ)	23	1
8	22001996	SCREW Note: SCREW, CONSOLE	23	5
9	215003	FASTENER Note: CLIP, SCREW	23	2
-	22001419	NUT (ELASTIC) Note: NUT, ELASTIC	23	2
10	22001960	TRANSFORMER	23	1
-	211251	SCREW Note: SCREW, TRANSFORMER	23	2
-	912077	LOCKNUT	23	6
11	33001746	BOARD ASSY., CIRCUIT	23	1
-	33001204	STANDOFF, CIRCUIT BOARD	23	1
12	22001962	COVER, DISPLAY	23	1
13	211252	SCREW Note: SCREW, GROUND WIRE	23	1
14	215526	SCREW Note: SCREW, CONTROL BOARD	23	2
15 N	33001877	WIRE HARNESS, MAIN	23	1

\*Color Code (-)=Not Shown #=Series, Serial Prefix or Run No., N=Not Available



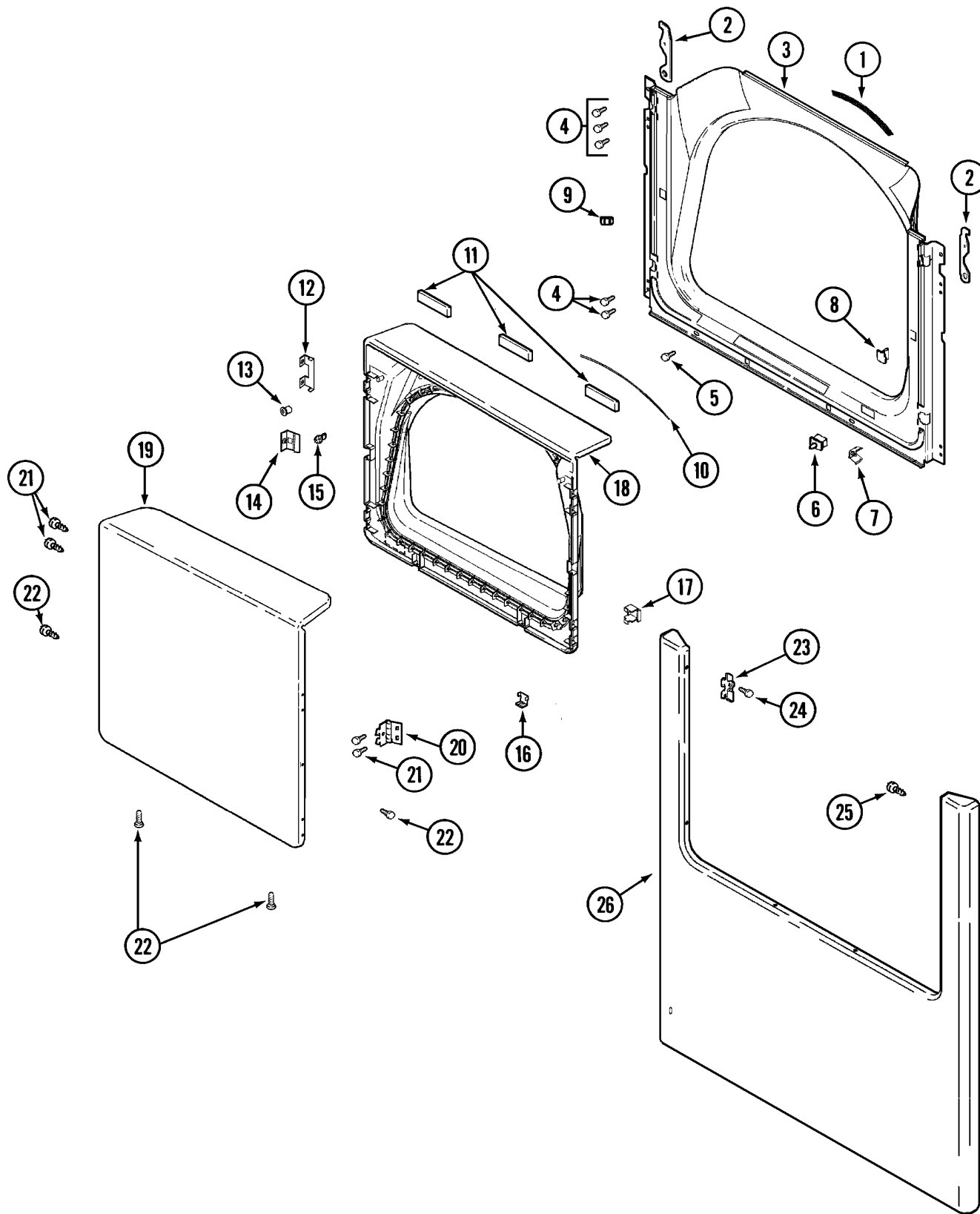
**Section: CONTROL CENTER (MDG16PDAWQ/MDG16P)**

No.	Part No.	Description	Series	Qty
1	33002428	VAULT, COIN (BSQ)	10	1
-	212276	SCREW Note: SCREW, COIN VAULT	10	2
2	22001810	STRAP, MOUNTING	10	1
3	22001996	SCREW Note: SCREW, MOUNTING STRAP	10	1
4	910309	WASHER Note: WASHER, STRAP SCREW	10	1
5	22002618	GASKET (BSQ)	10	1
6	052740	NUT Note: NUT, CASE MOUNTING	10	2
7	213035	BOLT, LOCKING	10	2
8	910181	LOCK WASHER Note: LOCKWASHER, LOCKING BOLT	10	2
9	N 22001905	CAM, LOCKING	10	1
10	33001250	SWITCH, SENSOR	10	2
-	22003815	DUAL FACEPLATE	10	1
-	22002144	SINGLE FACEPLATE	10	1
11	22001873	DROP ASSY., COIN	10	1
12	216200	BUTTON, RETURN Note: BUTTON, RETURN	10	1
13	22002886	DOOR, ACCESS (BSQ)	10	1
14	22001965	SWITCH ASSY., OPTIC	10	2
15	314665	SCREW Note: SCREW, OPTIC SWITCH	10	2
16	216068	SCREW Note: SCREW, COIN DROP	10	3
17	22001404	BRACKET, SWITCH	10	1
18	212276	SCREW Note: SCREW, SWITCH BRACKET	10	1
19	22001966	HARNESS, SENSOR SWITCH	10	1

\*Color Code (-)=Not Shown #=Series, Serial Prefix or Run No., N=Not Available

Section: DOOR (MDG16PDAWQ/MDG16PDAXQ)

Model: MDG16PDAWQ



LD17-21

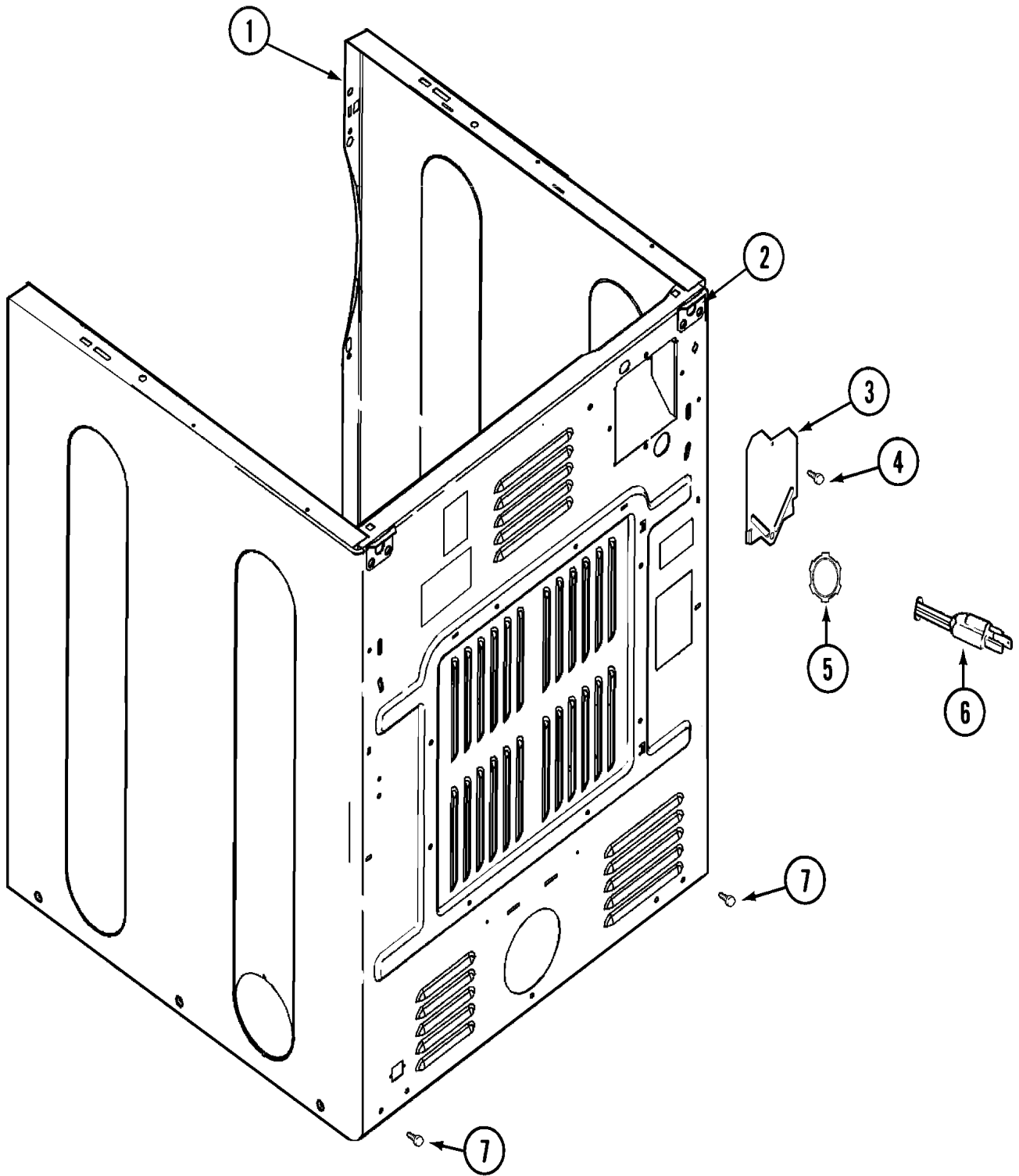
**Section: DOOR (MDG16PDAWQ/MDG16PDAXQ)**

No.	Part No.	Description	Series	Qty
1	33001767	SEAL, SHROUD	10	1
2	22002247	HOOK, SECURITY	10	2
3	33001900	SHROUD (WHT)	10	1
4	22001995	SCREW Note: SCREW, TUMBLER FRONT & SHROUD	10	10
5	33001768	SCREW, SHROUD Note: SCREW, SHROUD & OUTLET DUCT	10	2
6	33001509	SWITCH, DOOR	10	1
7	33001760	BRACKET, HINGE	10	4
8	N 33001174	PLUG, DOOR CATCH	10	1
9	304578	CATCH, DOOR (FEMALE)	10	1
10	33002094	SEAL, DOOR	10	1
11	33001268	PAD, DOOR	10	1
12	22002038	CLIP, DOOR (DOUBLE)	10	4
13	33001771	BUSHING, INNER DOOR	10	2
14	33001793	BRACKET, STRIKE	10	1
15	33001761	STRIKE, DOOR (MALE)	10	1
16	22002039	CLIP, DOOR (SINGLE)	10	2
17	33001763	PLUG, INNER DOOR	10	1
18	33001899	DOOR, INNER (WHT)	10	1
19	N 33002371	DOOR, OUTER (BSQ)	10	1
20	33001759	HINGE, DOOR	10	2
21	22002062	SCREW Note: SCREW, HINGE	10	4
22	33002351	SCREW (#8-18 OUTER DOOR (BSQ)	10	8
23	33002349	COVER, HINGE HOLE (BSQ)	10	2
24	33001846	SCREW Note: SCREW, HINGE HOLE COVER	10	2
-	22002244	CLIP, GROUNDING	10	1
25	22002243	SCREW Note: SCREW, HINGE BRACKET	10	2
26	N 33002368	PANEL, FRONT (BSQ)	10	1
-	22002239	CLIP, LOWER FRONT PANEL	10	2

\*Color Code (-)=Not Shown #=Series, Serial Prefix or Run No., N=Not Available

Section: CABINET-REAR (MDG16PDAWQ/MDG16PDAXQ)

Model: MDG16PDAWQ





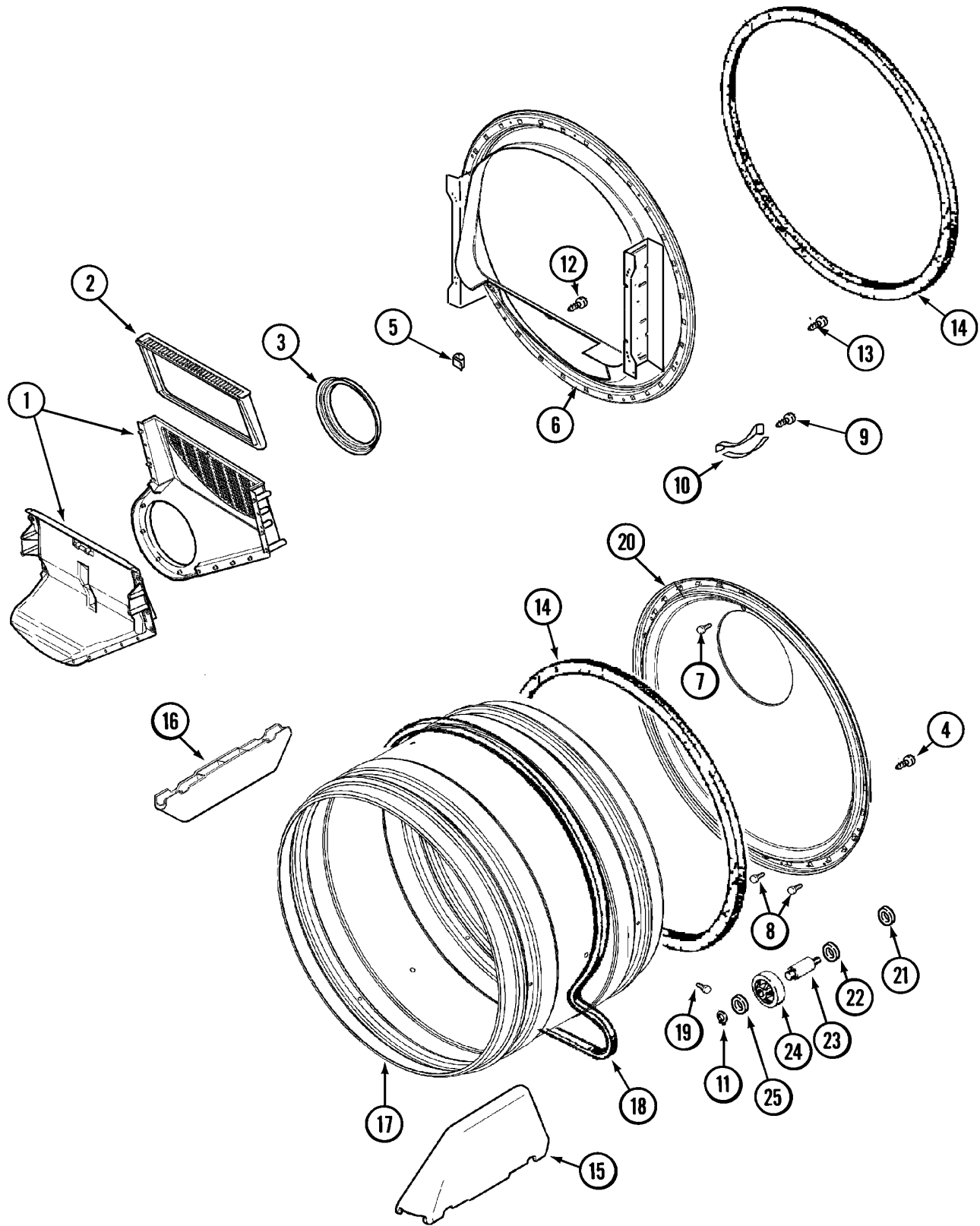
**Section: CABINET-REAR (MDG16PDAWQ/MDG16PDA**

No.	Part No.	Description	Series	Qty
1	N 33002373	CABINET (BSQ)	10	1
1	N 33002625	CABINET, ASSY. (BSQ-AS PK)	36	1
1	22003644	CABINET ASSY. (BSQ AS PK)	38	1
-	22003367	HINGE, PLASTIC	36	2
-	22001995	SCREW Note: SCREW, HINGE	36	2
2	N 33001827	BRACKET, CABINET HINGE	10	2
3	33001795	COVER, TERMINAL BLOCK	10	1
4	22001995	SCREW Note: SCREW, TERMINAL BLOCK COVER	10	1
5	33001425	LOCKNUT, EARED FOR CANADIAN	10	1
6	208784	CORD, POWER	10	1
7	22001995	SCREW Note: SCREW, CABINET	10	2

\*Color Code (-)=Not Shown #=Series, Serial Prefix or Run No., N=Not Available

Section: TUMBLER (MDG16PDAWQ/MDG16PDAXQ)

Model: MDG16PDAWQ



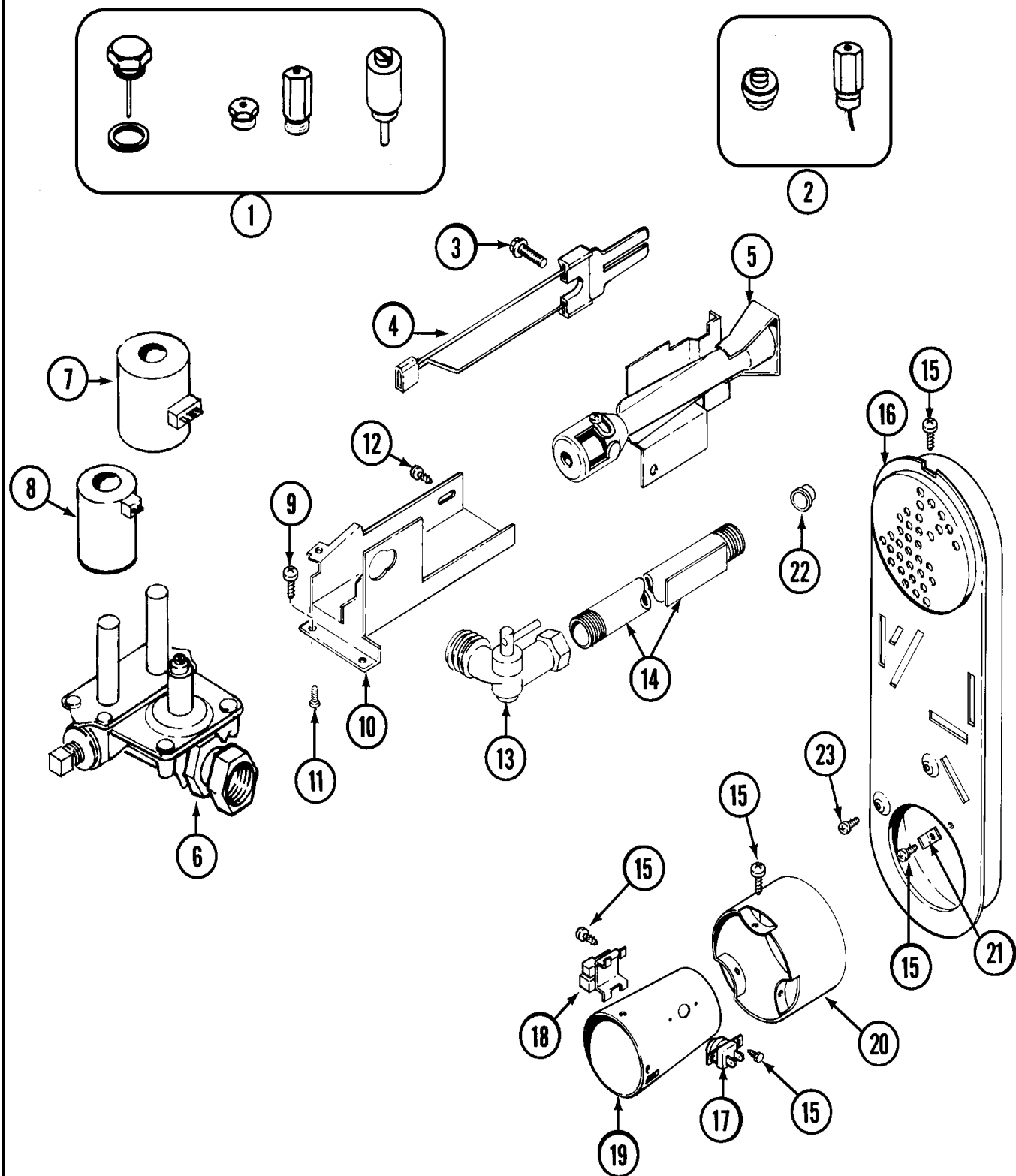
**Section: TUMBLER (MDG16PDAWQ/MDG16PDAXQ)**

No.	Part No.	Description	Series	Qty
1	33001799	OUTLET DUCT ASSEMBLY Note: OUTLET DUCT ASSEMBLY	10	1
2	33001808	FILTER, LINT	10	1
3	33001758	SEAL, BLOWER	10	1
4	33002190	SCREW (#10-3/8")	10	4
5	310376	CLIP, WIRE HARNESS	10	1
6	33001802	FRONT, TUMBLER (W/SEAL) Note: FRONT, TUMBLER (W/SEAL) (INCL. SENSOR/ LIGHT ASSY)	10	1
7	210932	SCREW, #8 X 9/16 CTSK Note: SCREW, INLET DUCT	10	1
8	22001996	SCREW Note: SCREW, INLET DUCT	10	2
9	210720	RIVET Note: RIVET, TUMBLER	10	4
10	306508	TUMBLER BEARING KIT	10	2
11	410233	RING, RETAINING	10	2
12	N 312311	SCREW----NA Note: SCREW, OUTLET DUCT (PHILLIPS)	10	1
13	33001855	SCREW (HEX HEAD) Note: SCREW, DUCT TO TUMBLER (HEX)	10	4
14	33001807	SEAL, TUMBLER	10	2
15	33001756	BAFFLE (TALL)	10	2
16	33001755	BAFFLE (SHORT)	10	1
17	33001889	TUMBLER	10	1
18	33001777	BELT, TUMBLER	10	1
19	33001788	SCREW, BAFFLE	10	6
20	33001801	BACK, TUMBLER (W/SEAL)	10	1
21	33001443	NUT, HEX (ROLLER SHAFT)	10	2
22	313347	WASHER, SPRING (ROLLER SHAFT)	10	2
23	312948	SHAFT, TUMBLER ROLLER	10	2
24	303373	BEARING & ROLLER ASSEMBLY Note: ROLLER (W/BEARING)	10	2
25	312535	WASHER, ROLLER SHAFT	10	2

\*Color Code (-)=Not Shown #=Series, Serial Prefix or Run No., N=Not Available

Section: GAS VALVE (MDG16PDAWQ/MDG16PDAXQ)

Model: MDG16PDAWQ



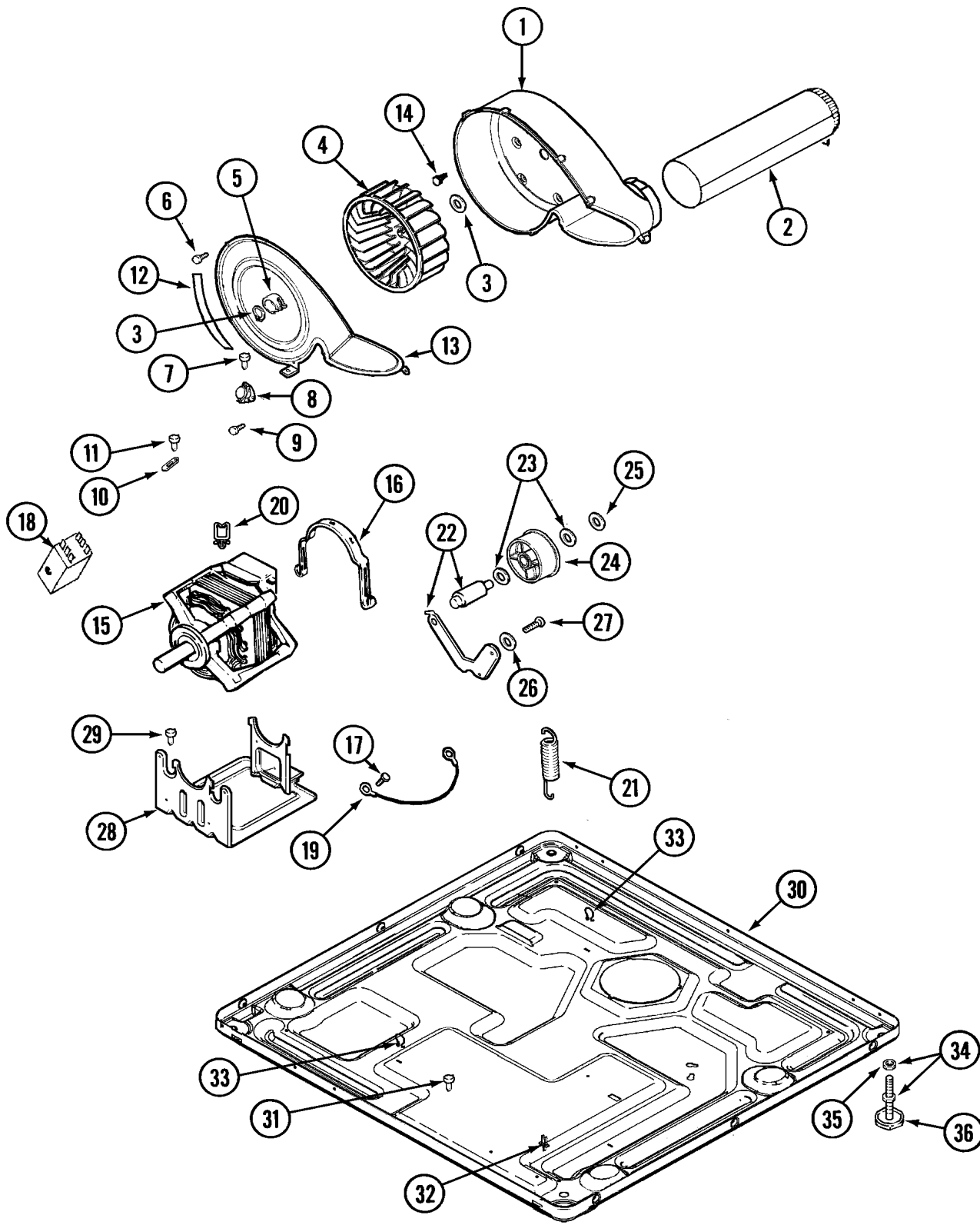
**Section: GAS VALVE (MDG16PDAWQ/MDG16PDAXQ)**

No.	Part No.	Description	Series	Qty
1	308378	CONVERSION KIT (NATURAL TO LP)	10	1
2	308377	CONVERSION KIT (LP TO NATURAL)	10	1
3	304971	SCREW Note: SCREW, IGNITER	10	1
4	304970	IGNITER ASSY, GAS VALVE	10	1
5	33001247	BURNER ASSY.	10	1
6	308345	VALVE, GAS	10	1
7	306106	COIL, HOLDING & BOOSTER	10	1
8	306105	COIL, SECONDARY	10	1
9	N 313561	SCREW----NA Note: SCREW, GAS VALVE	10	2
10	N 33001834	BRACKET, GAS VALVE----NA	10	1
11	314082	SCREW Note: SCREW, GAS VALVE	10	1
11	314568	SCREW-GAS VALVE TO BRACKET Note: SCREW, GAS VALVE	10	1
12	22001995	SCREW Note: SCREW, GAS VALVE	10	1
13	33001842	CONNECTOR, ANGLE	10	1
14	33001735	PIPE & BRACKET ASSY.	10	1
15	211294	SCREW Note: SCREW, DUCT	10	7
16	33001810	DUCT ASSY., INLET (GAS) Note: INLET DUCT ASSEMBLY	10	1
17	305169	THERMOSTAT, HI-LIMIT GAS	10	1
18	303377	SENSOR, RADIANT	10	1
19	33001835	CONE ASSY., COMBUSTION	10	1
20	303841	CONE, EXTENSION (COMBUSTION)	10	1
21	312890	RETAINER, HEATER CHAMBER	10	1
22	33001693	CAP, GAS PIPE	10	1
23	22001996	SCREW Note: SCREW, DUCT	10	4

\*Color Code (-)=Not Shown #=Series, Serial Prefix or Run No., N=Not Available

Section: MOTOR DRIVE (MDG16PDAWQ/MDG16PDAXQ)

Model: MDG16PDAWQ



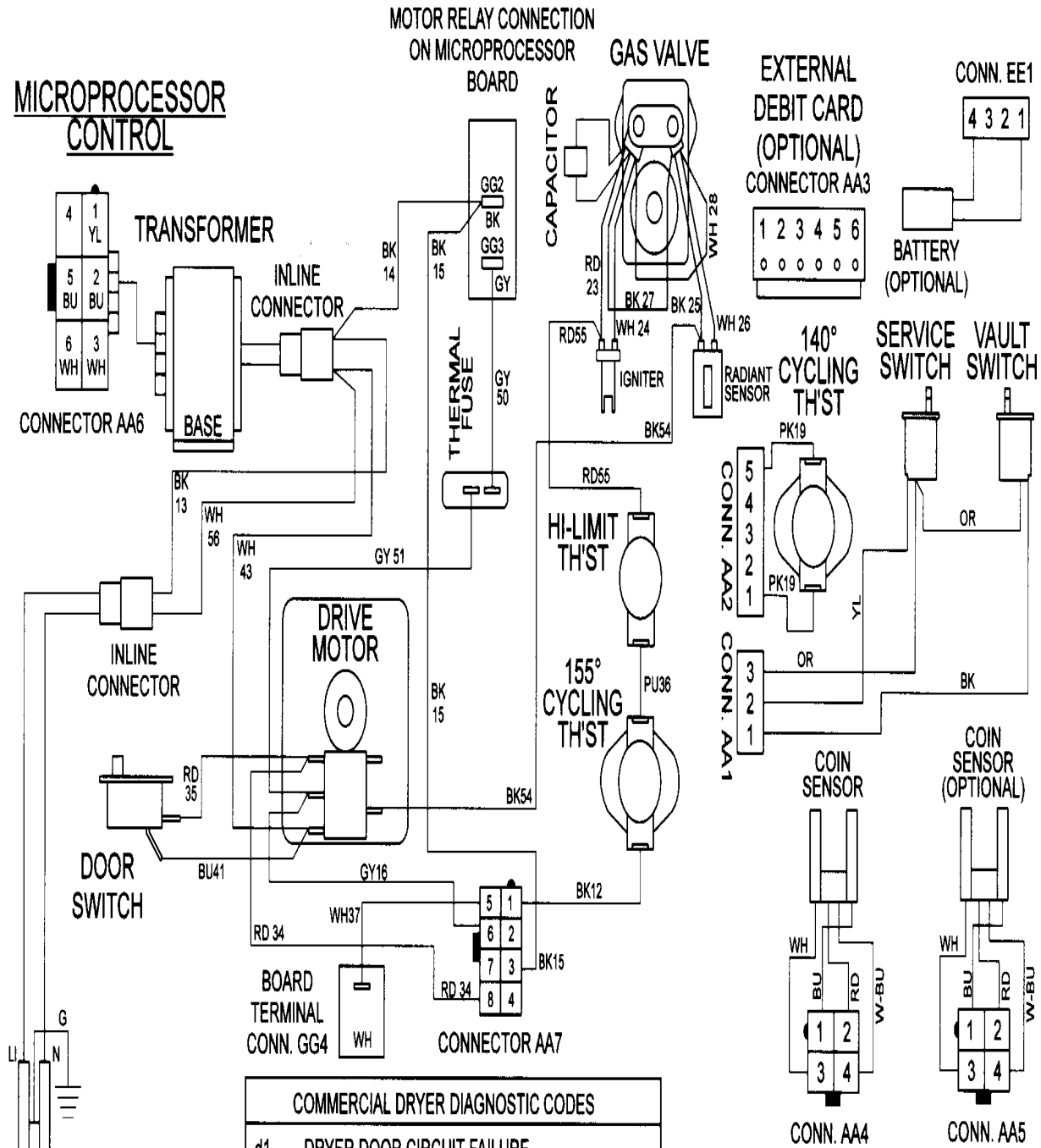
## Section: MOTOR DRIVE (MDG16PDAWQ/MDG16PDAX)

No.	Part No.	Description	Series	Qty
1	33001789	HOUSING, BLOWER	10	1
2	33001800	DUCT ASSY., EXHAUST	10	1
-	22001995	SCREW Note: SCREW, EXHAUST DUCT ASSEMBLY	10	1
3	410233	RING, RETAINING	10	2
4	33001790	WHEEL, BLOWER	10	1
4	33002797	WHEEL, BLOWER	68	1
5	312967	CLAMP, BLOWER HOUSING	10	1
6	33001855	SCREW (HEX HEAD) Note: SCREW, HOUSING COVER	10	8
7	N 313561	SCREW----NA Note: SCREW, HOUSING COVER	10	3
8	33303391	THERMOSTAT, CYCLING Note: THERMOSTAT, CYCLING	10	1
8	303392	CYCLING THERMOSTAT 140 DEG. Note: THERMOSTAT, CYCLING (140 DEG.)	10	1
9	22001996	SCREW Note: SCREW, THERMOSTAT	10	4
10	33001762	FUSE, THERMAL (W' BRACKET)	10	1
11	314848	SCREW Note: SCREW, THERMAL CUT-OFF	10	1
12	N 33001772	SEAL, BLOWER COVER	10	1
13	33001796	COVER, BLOWER HOUSING	10	1
14	314818	SCREW Note: SCREW, BLOWER HOUSING	10	4
15	33002237	MOTOR (W/PULLEY)	10	1
15	33002462	MOTOR (120V 60HZ)	26	1
15	33002795	MOTOR, DRIVE 60HZ	68	1
15	33002478	MOTOR	28	1
16	015825	CLIP, MOTOR	10	2
17	910343	SCREW, GROUND WIRE	10	1
18	33001854	SWITCH, MOTOR	10	1
19	901220	WIRE, GROUND	10	1
20	310376	CLIP, WIRE HARNESS	10	1
21	33001754	SPRING, IDLER	10	1
21	33002460	SPRING, IDLER Note: SPRING & PLUG KIT 33002459	25	1
-	33002461	PLUG FOR SPRING	25	1
22	33001840	IDLER ARM & SHAFT ASSY.	10	1
23	312527	WASHER, IDLER SHAFT (QTY-1)	10	2
24	33001783	BEARING, IDLER ASSEMBLY	10	1
25	312958	RETAINING RING, IDLER SHAFT	10	1
26	315772	SLEEVE, IDLER ARM	10	1
27	014874	SCREW Note: SCREW, IDLER ARM SLEEVE	10	1
28	33001752	SUPPORT, MOTOR	10	1
28	33002466	SUPPORT, MOTOR	25	1
-	N 313561	SCREW----NA	25	1
29	N 313561	SCREW----NA Note: SCREW, MOTOR & BLOWER	10	2
30	N 33002465	BASE, (LWR)----NA	25	1
30	33001845	BASE Note: BASE	10	1
30	33002622	BASE, (LWR)	36	1
30	N 33002465	BASE, (LWR)----NA	38	1
31	22001078	SCREW Note: SCREW, RELAY & BASE	10	2
32	315471	RETAINER, WIRE	10	1
33	410490	SPRING, WIRE HARNESS	10	2
34	305086	ADJUSTABLE LEG & NUT	10	4
35	052740	NUT Note: NUT, LEG	10	4
36	314137	FOOT, RUBBER	10	4

\*Color Code (-)=Not Shown #=Series, Serial Prefix or Run No., N=Not Available

**Section: WIRING INFORMATION**

**Model: MDG16PDAWQ**



COMMERCIAL DRYER DIAGNOSTIC CODES	
d1	- DRYER DOOR CIRCUIT FAILURE
d4	- DRYER MOTOR CONTROL CIRCUIT FAILURE
d5	- BLOCKED COIN 1 OR CONTROL CIRCUIT FAILURE
d9	- LOW VOLTAGE DETECTED: LESS THAN 90 VAC
d12	- DRYER MOTOR SENSE FAILURE
d13	- BLOCKED COIN 2 OR CONTROL CIRCUIT FAILURE

NEUTRAL LINE IDENTIFIED BY .015 TRACER AND TIN PLATED TERMINAL

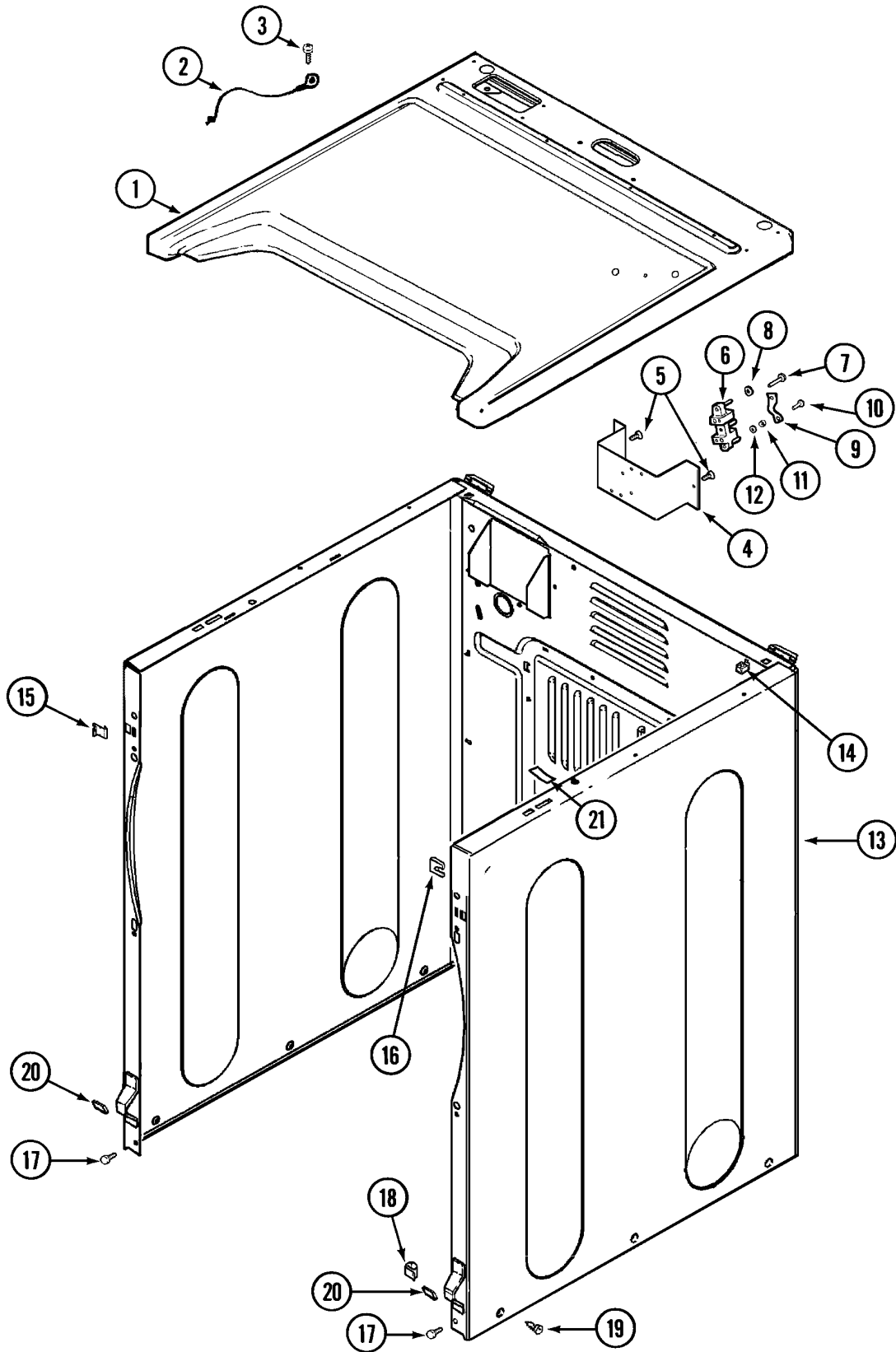
**MICROPROCESSOR CONTROL**

U.S. AND CANADIAN MODELS  
MDG 12PD/PS



Section: CABINET-FRONT (MDG16PDAWQ MDG16PDAXQ)

Model: MDG16PDAWQ



LD12-66

**Section: CABINET-FRONT (MDG16PDAWQ MDG16PD**

No.	Part No.	Description	Series	Qty
1	33002634	COVER, TOP (BSQ-AS PK)	36	1
1	N 33002374	COVER, TOP (BSQ)	23	1
2	22001959	WIRE, GROUND	10	1
3	210186	SCREW, GROUND WIRE TO BASE--NA Note: SCREW, GROUND WIRE	10	1
4	N 33001826	BRACKET, TERMINAL BLOCK---NA	10	1
5	22001995	SCREW Note: SCREW, TERMINAL BLOCK BRACKET	10	2
6	33001244	BLOCK, TERMINAL	10	1
7	312209	SCREW, #10-24 X 3/4 INCH Note: SCREW, TERMINAL BLOCK	10	2
8	311270	WASHER, TERMINAL BLOCK	10	1
9	312184	STRAP, GROUND	10	1
10	N 33001245	SCREW----NA Note: SCREW, GROUND STRAP	10	1
11	311484	NUT, TERMINAL BLOCK	10	3
12	311093	WASHER, 7/32 INCH Note: WASHER, TERMINAL BLOCK	10	3
14	N 33002625	CABINET, ASSY. (BSQ-AS PK)	36	1
14	N 33002373	CABINET (BSQ)	23	1
14	310933	FASTENER	10	2
15	22002049	CLIP	10	2
16	213280	FRONT PANEL BRACKET/FASTENER Note: RETAINER, SHROUD	10	2
17	22001995	SCREW Note: SCREW, CABINET	10	2
18	22003298	RETAINER, WIRE	10	1
19	22003409	SCREW----NA Note: SCREW, CABINET (TRUSS)	36	6
20	22002239	CLIP, LOWER FRONT PANEL	10	2
21	33001836	STRAP, TOP COVER SUPPORT	10	1

\*Color Code (-)=Not Shown #=Series, Serial Prefix or Run No., N=Not Available

