

DRYER

Repair Parts List

MODEL NUMBER

MDG16PRDWW

BDSPARTS.COM

When requesting service or ordering parts, always provide the following information:

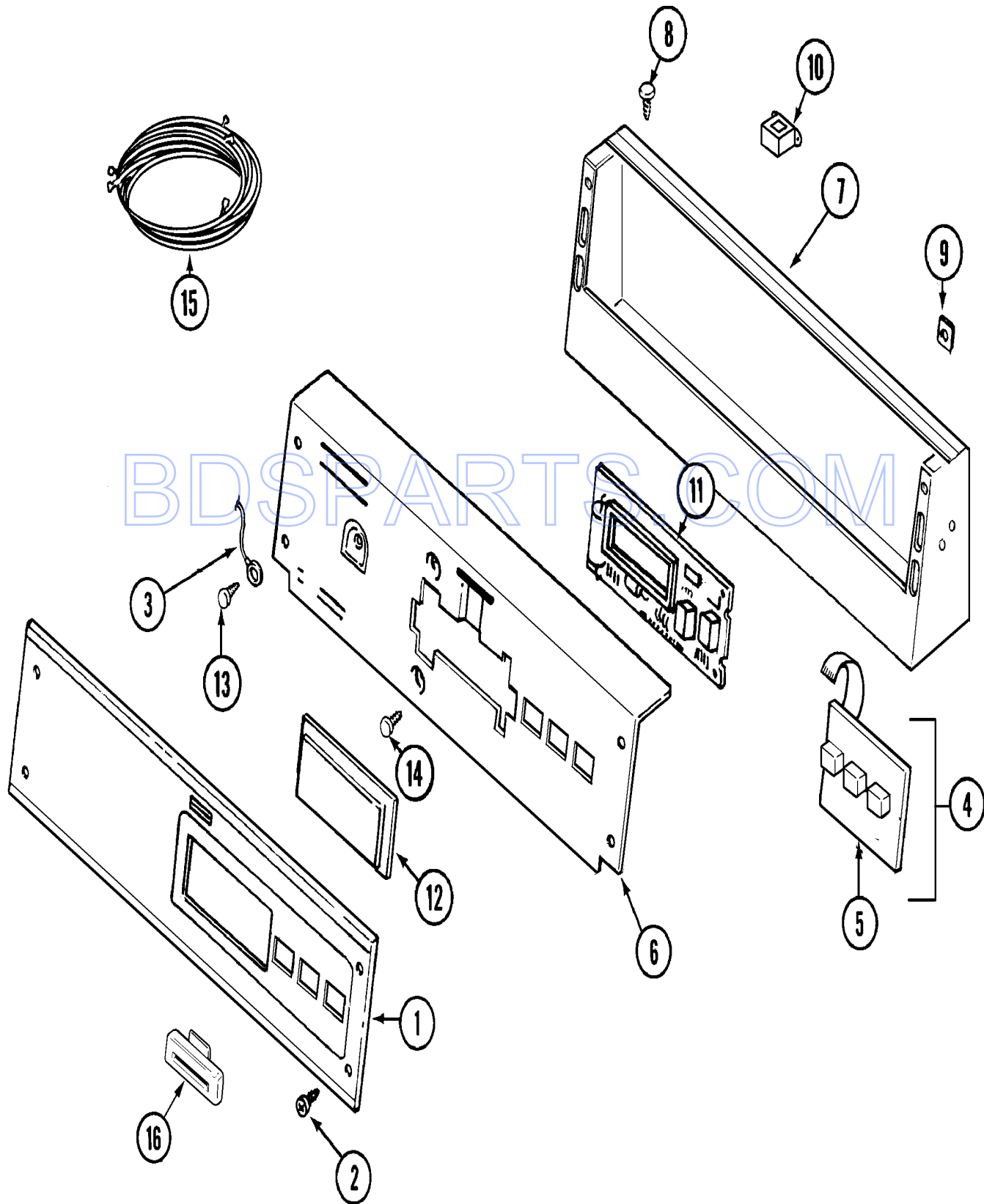
- Product Type
- Part Number
- Model Number
- Part Description

MAYTAG®

©2005 Maytag Services

Section: CONTROL PANEL

Model: MDG16PRDWW



CD11-93

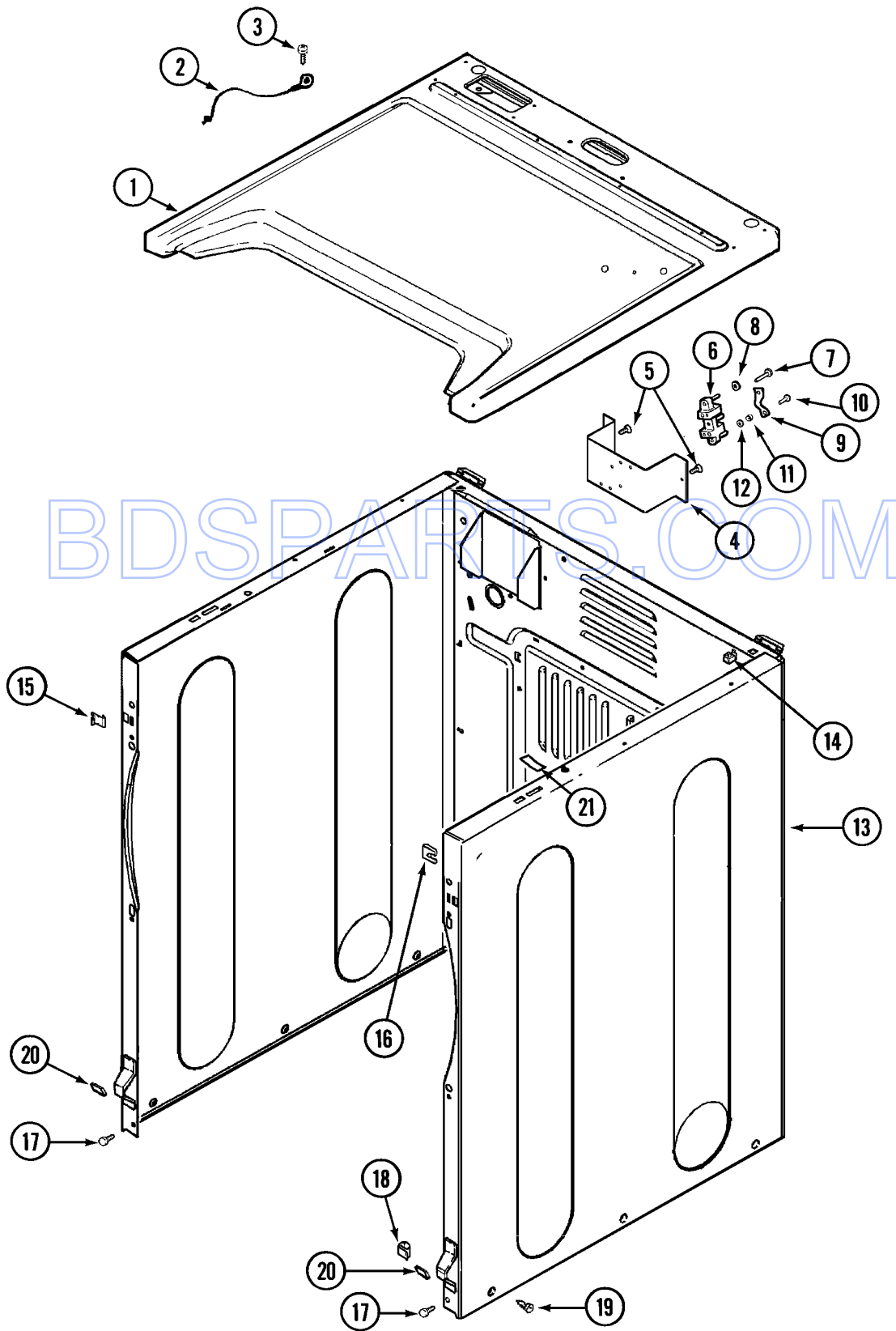
Section: CONTROL PANEL

| No. | Part No. | Description | Series | Qty |
|-----|----------|--|--------|-----|
| 1 | 33002939 | Facia - PR (CONTROL PANEL) | 10 | 1 |
| - | 315211 | SCREW Note: SCREWS FOR DEBIT CARD READER | 10 | 3 |
| 2 | 215506 | SCREW, TORX Note: SCREW, CONTROL PANEL | 10 | 4 |
| 3 | 205810 | WIRE, GROUND | 10 | 1 |
| 4 | 306694 | BACKUP PLATE WITH SWITCH Note: CONTROL SWITCH ASSEMBLY | 10 | 1 |
| - | 215527 | SCREW Note: SCREW, SWITCH | 10 | 2 |
| 5 | 215517 | PUSHBUTTON Note: PUSHBUTTON, CONTROL SWITCH | 10 | 1 |
| 6 | 33002523 | BRACKET, BACK (WHT) Note: BRACKET, BACK (WHT) | 10 | 1 |
| - | 22002954 | DEFLECTOR, WATER (W/ADHESIVE) | 10 | 1 |
| 7 | 22003101 | CONSOLE (WHT) | 10 | 1 |
| 8 | 22001996 | SCREW Note: SCREW, CONSOLE | 10 | 5 |
| 9 | 215003 | FASTENER Note: CLIP, SCREW | 10 | 2 |
| 10 | 22001960 | TRANSFORMER | 10 | 1 |
| - | 211251 | SCREW Note: SCREW, TRANSFORMER | 10 | 2 |
| - | 22001419 | NUT (ELASTIC) Note: NUT, ELASTIC | 10 | 2 |
| - | 33001204 | STANDOFF, CIRCUIT BOARD | 10 | 4 |
| - | 912077 | LOCKNUT | 10 | 12 |
| 11 | 33002358 | BOARD, CONTROL | 10 | 1 |
| 12 | 22001962 | COVER, DISPLAY | 10 | 1 |
| 13 | 211252 | SCREW Note: SCREW, GROUND WIRE | 10 | 1 |
| 14 | 215526 | SCREW Note: SCREW, CONTROL BOARD | 10 | 1 |
| 15 | 22003818 | WIRE HARNESS | 10 | 1 |
| 16 | 22001976 | BEZEL | 10 | 1 |
| - | 22001973 | HARNESS, PR SERVICE | 10 | 1 |
| - | 22004100 | HARNESS, READER | 10 | 1 |

*Color Code (-)=Not Shown #=Series, Serial Prefix or Run No., N=Not Available

Section: CABINET-FRONT

Model: MDG16PRDWW



BDSPARTS.COM

Section: CABINET-FRONT

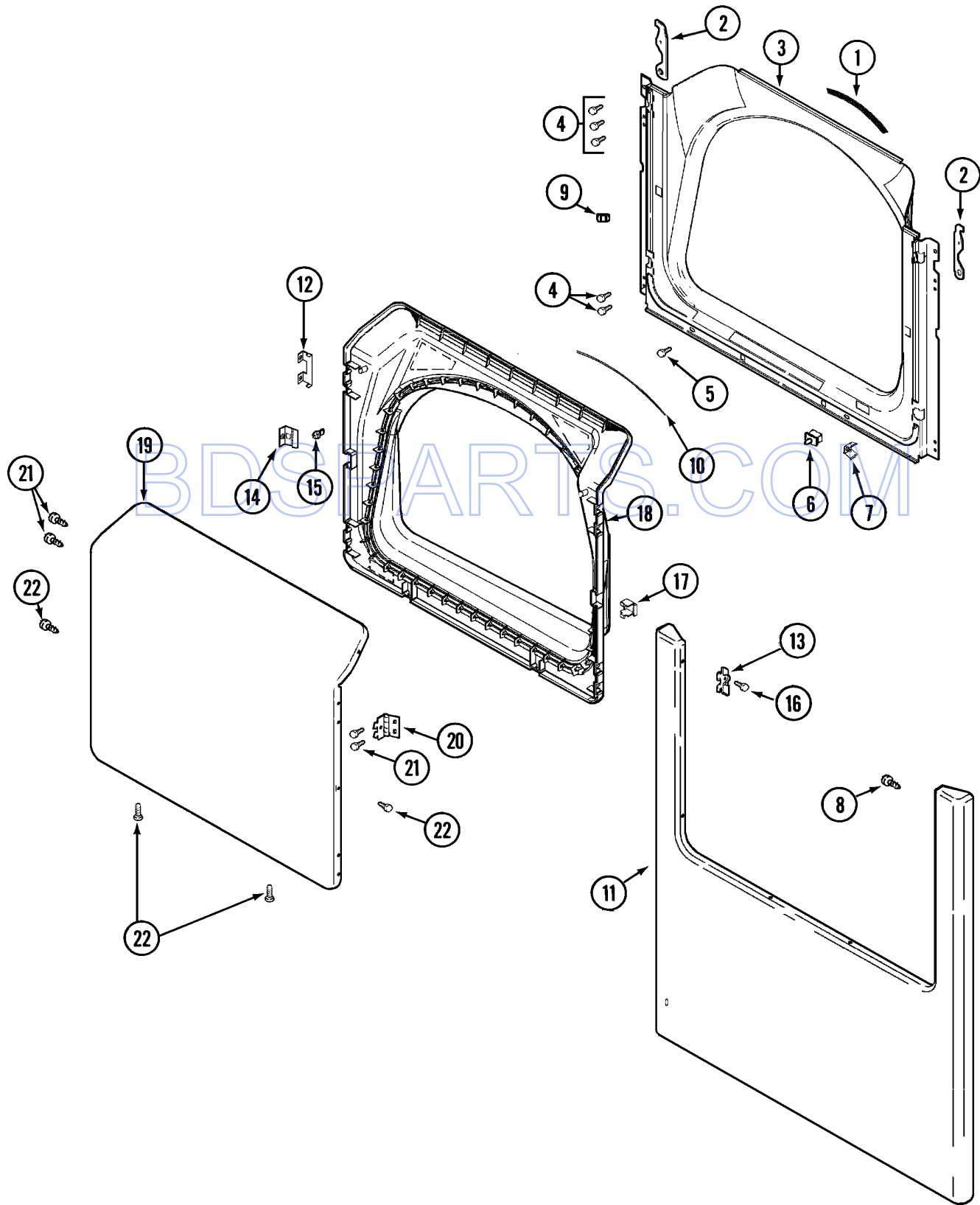
| No. | Part No. | Description | Series | Qty |
|------|----------|---|--------|-----|
| 1 | 33002631 | COVER, TOP (WHT-AS PK) | 10 | 1 |
| 2 | 205810 | WIRE, GROUND | 10 | 1 |
| 3 | 211252 | SCREW Note: SCREW, GROUND WIRE | 10 | 1 |
| 13 N | 22003643 | CABINET ASSY. (WHT AS PK) | 10 | 1 |
| 14 | 310933 | FASTENER | 10 | 2 |
| 15 | 22002049 | CLIP | 10 | 2 |
| 16 | 213280 | FRONT PANEL BRACKET/FASTENER Note: RETAINER, SHROUD | 10 | 2 |
| 17 | 22001995 | SCREW Note: SCREW, CABINET | 10 | 2 |
| 18 | 310376 | CLIP, WIRE HARNESS | 10 | 1 |
| 19 | 22003409 | SCREW----NA | 36 | 6 |
| 19 | 213007 | SCREW, CABINET | 10 | 6 |
| 20 | 22002239 | CLIP, LOWER FRONT PANEL | 10 | 2 |
| 21 | 33001836 | STRAP, TOP COVER SUPPORT | 10 | 1 |

BDSPARTS.COM

*Color Code (-)=Not Shown #=Series, Serial Prefix or Run No., N=Not Available

Section: DOOR

Model: MDG16PRDWW



CD12-21

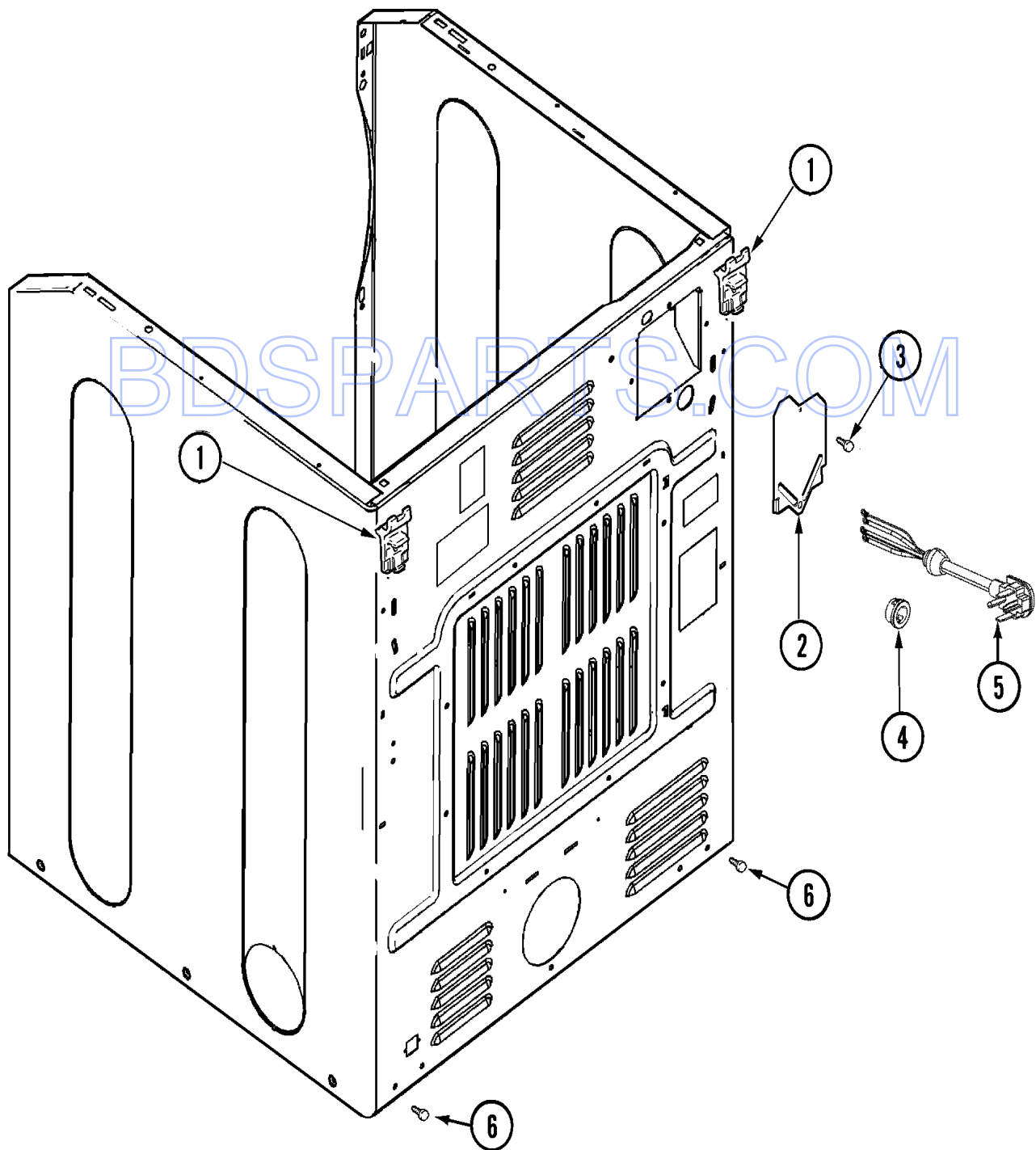
Section: DOOR

| No. | Part No. | Description | Series | Qty |
|-----|----------|--|--------|-----|
| 1 | 33001767 | SEAL, SHROUD | 10 | 1 |
| 2 | 22002247 | HOOK, SECURITY | 10 | 2 |
| 3 | 33001900 | SHROUD (WHT) | 10 | 1 |
| 4 | 22001995 | SCREW Note: SCREW, TUMBLER FRONT & SHROUD | 10 | 10 |
| 5 | 33001768 | SCREW, SHROUD Note: SCREW, SHROUD & OUTLET DUCT | 10 | 2 |
| 6 | 33001509 | SWITCH, DOOR | 10 | 1 |
| 7 | 33001760 | BRACKET, HINGE | 10 | 4 |
| - | 22002244 | CLIP, GROUNDING | 10 | 1 |
| 8 | 22002243 | SCREW Note: SCREW, HINGE BRACKET | 10 | 2 |
| 9 | Y304578 | CATCH, DOOR (FEMALE) | 10 | 2 |
| 10 | 33002094 | SEAL, DOOR | 10 | 1 |
| - | 213280 | FRONT PANEL BRACKET/FASTENER Note: FASTENER, FRONT PANEL | 10 | 2 |
| 11 | 33001901 | PANEL, FRONT (WHT) | 10 | 1 |
| 12 | 22002038 | CLIP, DOOR (DOUBLE) | 10 | 4 |
| 13 | 33001764 | COVER, HINGE HOLE (WHT) | 10 | 2 |
| 14 | 33001793 | BRACKET, STRIKE | 10 | 1 |
| 15 | 33001761 | STRIKE, DOOR (MALE) | 10 | 1 |
| 16 | 33001846 | SCREW Note: SCREW, HINGE HOLE COVER | 10 | 2 |
| 17 | 33001763 | PLUG, INNER DOOR | 10 | 1 |
| 18 | 33001899 | DOOR, INNER (WHT) | 10 | 1 |
| - | 22002063 | SCREW #8-18AB WAFER HD | 10 | 2 |
| - | 22002039 | CLIP, DOOR (SINGLE) | 10 | 2 |
| 19 | 33001904 | DOOR, OUTER (WHT) Note: DOOR, OUTER (WHT) | 10 | 1 |
| 20 | 33001759 | HINGE, DOOR | 10 | 2 |
| 21 | 22002062 | SCREW Note: SCREW, HINGE | 10 | 4 |
| 22 | 22002063 | SCREW #8-18AB WAFER HD | 10 | 8 |

*Color Code (-)=Not Shown #=Series, Serial Prefix or Run No., N=Not Available

Section: CABINET-REAR

Model: MDG16PRDWW



CD18-30

Section: CABINET-REAR

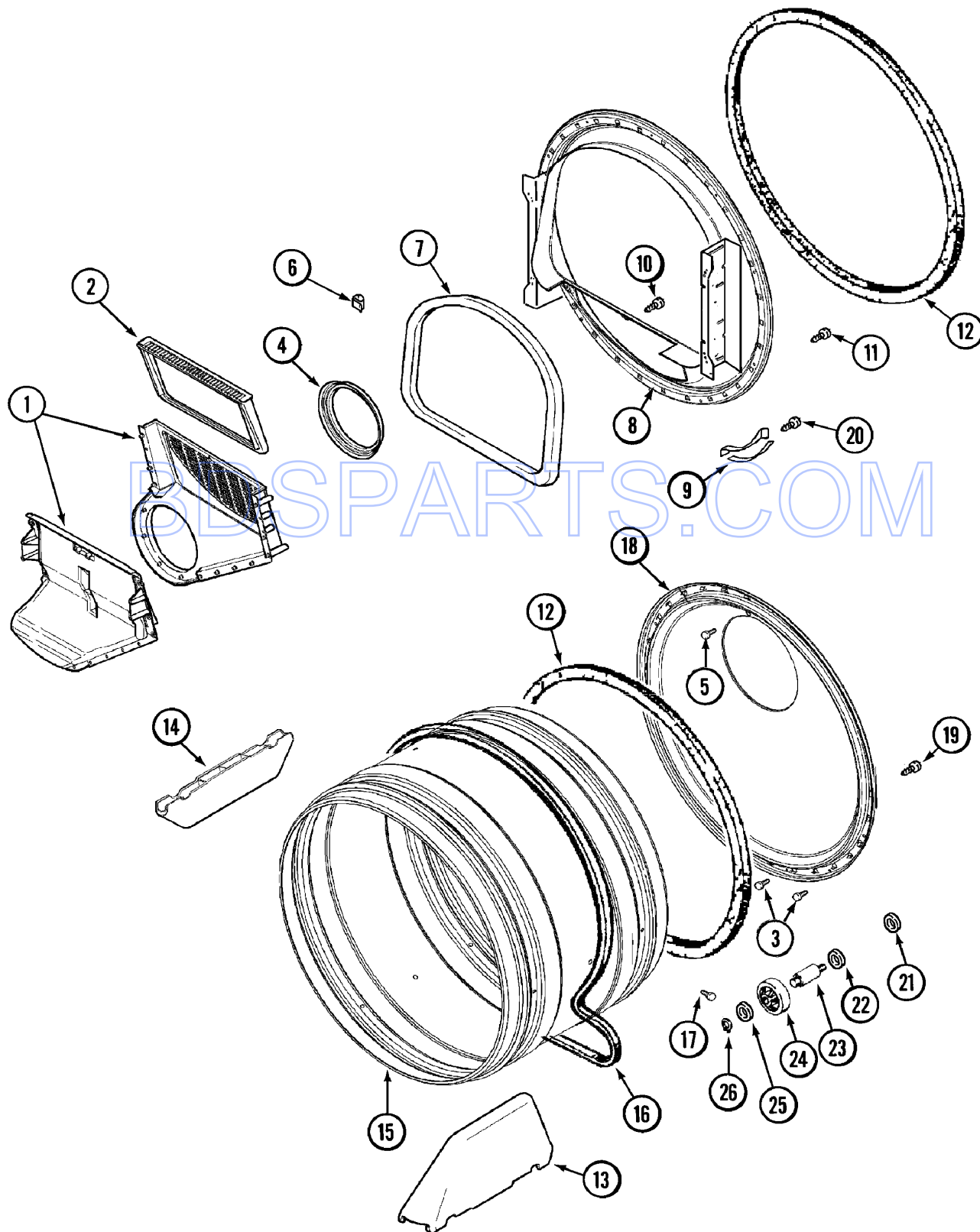
| No. | Part No. | Description | Series | Qty |
|-----|----------|---|--------|-----|
| 1 | 22004095 | HINGE, PLASTIC | 10 | 2 |
| - | 22001995 | SCREW | 10 | 2 |
| 2 | 33001795 | COVER, TERMINAL BLOCK | 10 | 1 |
| 3 | 22001995 | SCREW Note: SCREW, TERMINAL BLOCK COVER | 10 | 1 |
| 4 | 33002631 | COVER, TOP (WHT-AS PK) | 10 | 1 |
| 5 | 22003062 | CORD, POWER (AS WRAPPED) | 10 | 1 |
| 6 | 22001995 | SCREW Note: SCREW, CABINET | 10 | 2 |

BDSPARTS.COM

*Color Code (-)=Not Shown #=Series, Serial Prefix or Run No., N=Not Available

Section: TUMBLER

Model: MDG16PRDWW



CD16-29

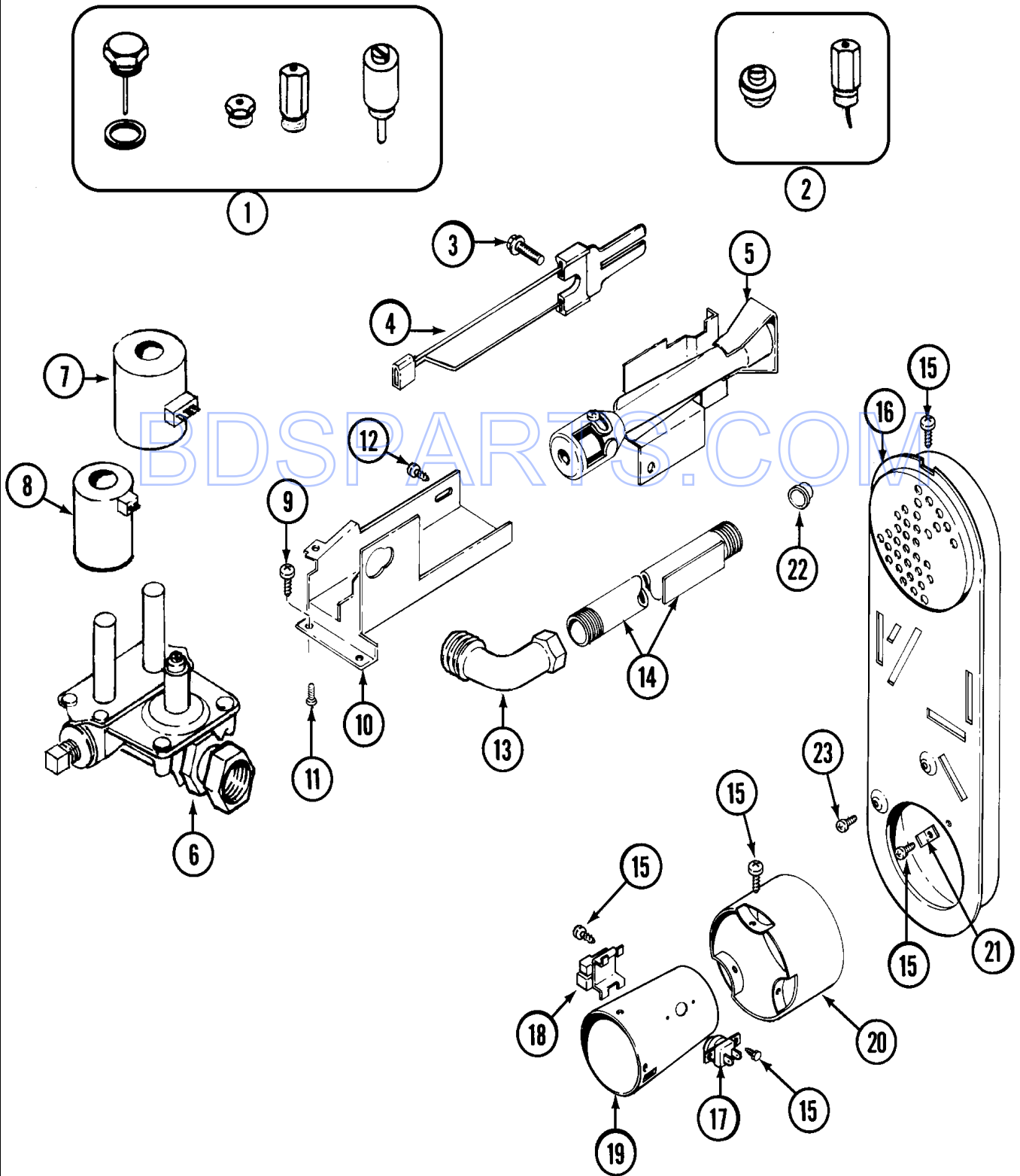
Section: TUMBLER

| No. | Part No. | Description | Series | Qty |
|-----|----------|---|--------|-----|
| 1 | 33001799 | OUTLET DUCT ASSEMBLY | 10 | 1 |
| 2 | 33002790 | LINT FILTER | 10 | 1 |
| 3 | 210932 | SCREW, #8 X 9/16 CTSK Note: SCREW, INLET DUCT | 10 | 1 |
| 4 | 33002560 | SEAL, BLOWER | 10 | 1 |
| 5 | 22001996 | SCREW Note: SCREW, INLET DUCT | 10 | 2 |
| 6 | 310376 | CLIP, WIRE HARNESS | 10 | 1 |
| 7 | 33001767 | SEAL, SHROUD | 10 | 1 |
| 8 | 33001802 | FRONT, TUMBLER (W/SEAL) | 10 | 1 |
| 9 | 306508 | TUMBLER BEARING KIT | 10 | 2 |
| 10 | N 312311 | SCREW----NA Note: SCREW, OUTLET DUCT (PHILLIPS) | 10 | 1 |
| 11 | 33001855 | SCREW (HEX HEAD) Note: SCREW, DUCT TO TUMBLER (HEX) | 10 | 4 |
| 12 | 33001807 | SEAL, TUMBLER | 10 | 2 |
| 13 | 33001756 | BAFFLE (TALL) | 10 | 2 |
| 14 | 33001755 | BAFFLE (SHORT) | 10 | 1 |
| 15 | 33001794 | TUMBLER | 10 | 1 |
| 16 | 33002535 | V-BELT (TUMBLER) | 10 | 1 |
| 17 | 33001788 | SCREW, BAFFLE | 10 | 6 |
| 18 | 33003037 | TUMBLER BACK & SEAL | 17 | 1 |
| 18 | 33002779 | TUMBLER BACK & SEAL AS-PACK | 10 | 1 |
| 19 | 22001995 | SCREW | 10 | 4 |
| 20 | 210720 | RIVET | 10 | 4 |
| 21 | 33001443 | NUT, HEX (ROLLER SHAFT) | 10 | 2 |
| 22 | Y313347 | WASHER, SPRING (ROLLER SHAFT) | 10 | 2 |
| 23 | 312948 | SHAFT, TUMBLER ROLLER | 10 | 2 |
| 24 | Y303373 | BEARING & ROLLER ASSEMBLY Note: ROLLER (W/BEARING) | 10 | 2 |
| 25 | 312535 | WASHER, ROLLER SHAFT | 10 | 2 |
| 26 | 410233 | RING, RETAINING | 10 | 2 |

*Color Code (-)=Not Shown #=Series, Serial Prefix or Run No., N=Not Available

Section: GAS VALVE

Model: MDG16PRDWW



CD14-5

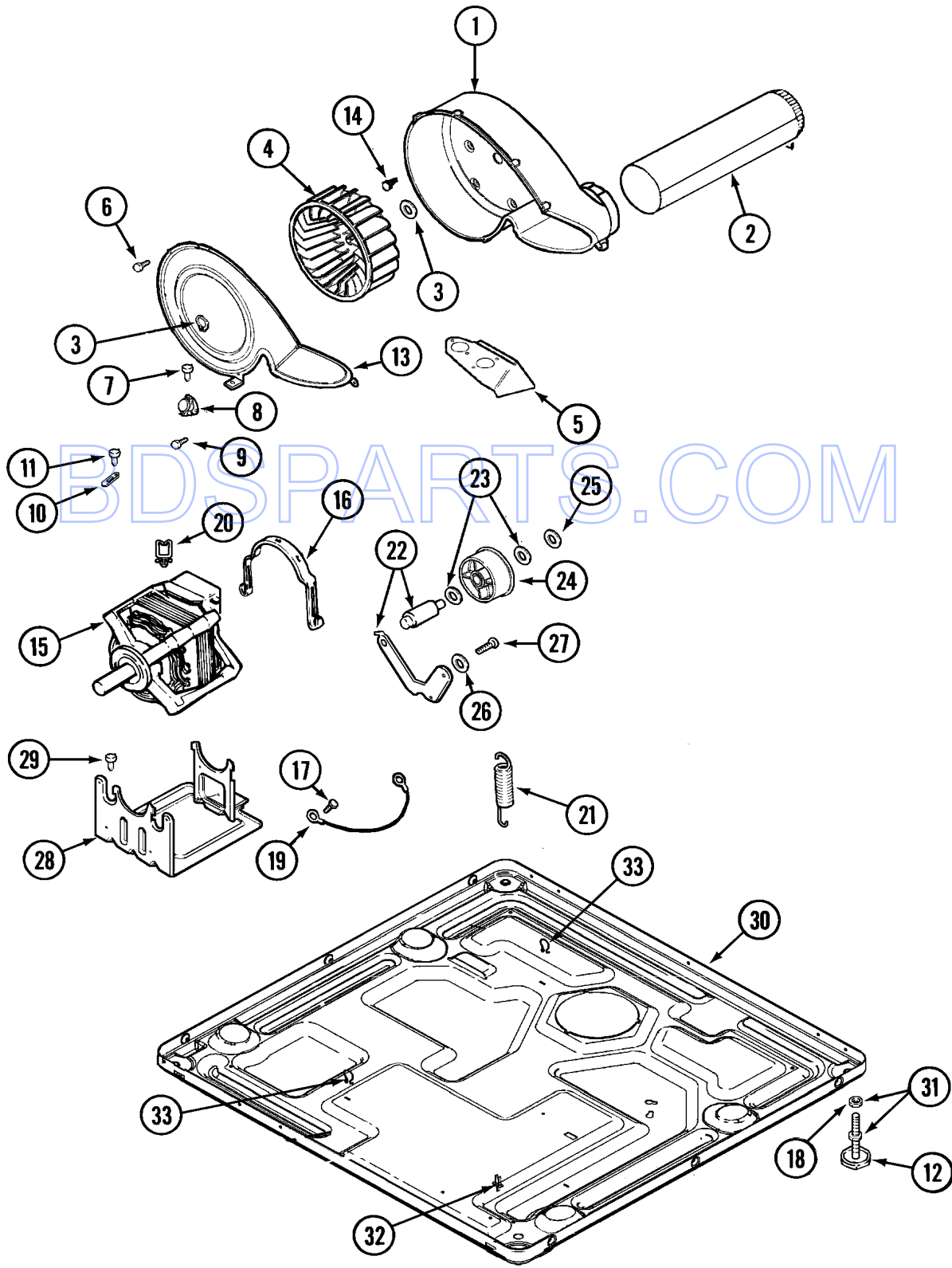
Section: GAS VALVE

| No. | Part No. | Description | Series | Qty |
|-----|----------|---|--------|-----|
| 1 | 308378 | CONVERSION KIT (NATURAL TO LP) | 10 | 1 |
| 2 | Y308377 | CONVERSION KIT (LP TO NATURAL) | 10 | 1 |
| 3 | 304971 | SCREW Note: SCREW, IGNITER | 10 | 1 |
| 4 | 33002789 | IGNITER ASSEMBLY | 10 | 1 |
| 5 | 33002793 | BURNER ASSEMBLY | 10 | 1 |
| 6 | 308345 | VALVE, GAS | 19 | 1 |
| 6 | 308345 | VALVE, GAS | 10 | 1 |
| 6 | 33003031 | CONTROL, GAS ASSEMBLY | 18 | 1 |
| 7 | 306106 | COIL, HOLDING & BOOSTER | 10 | 1 |
| 8 | 306105 | COIL, SECONDARY | 10 | 1 |
| 9 | N 313561 | SCREW----NA Note: SCREW, GAS VALVE | 10 | 2 |
| 10 | 33002710 | BRACKET, GAS CONTROL | 10 | 1 |
| 11 | 314568 | SCREW-GAS VALVE TO BRACKET Note: SCREW, GAS VALVE | 10 | 1 |
| 11 | 314082 | SCREW Note: SCREW, GAS VALVE | 10 | 1 |
| 12 | 22001995 | SCREW Note: SCREW, GAS VALVE | 10 | 1 |
| 13 | 33001842 | CONNECTOR, ANGLE Note: SERIES 18 NOT NEEDED USE VAVLE | 10 | 1 |
| 14 | 33001735 | PIPE & BRACKET ASSY. Note: SERIES 18 NOT NEEDED USE VAVLE | 10 | 1 |
| 15 | 211294 | SCREW Note: SCREW, DUCT | 10 | 7 |
| 16 | 33003039 | ASSY,INLET DUCT-GAS | 17 | 1 |
| 16 | 33001810 | DUCT ASSY., INLET (GAS) | 10 | 1 |
| 17 | 305169 | THERMOSTAT, HI-LIMIT GAS | 10 | 1 |
| 18 | 303377 | SENSOR, RADIANT | 10 | 1 |
| 19 | 33001835 | CONE ASSY., COMBUSTION | 10 | 1 |
| 20 | Y303841 | CONE, EXTENSION (COMBUSTION) | 10 | 1 |
| 21 | Y312890 | RETAINER, HEATER CHAMBER | 10 | 1 |
| 22 | 33001693 | CAP, GAS PIPE | 10 | 1 |
| 23 | 211294 | SCREW Note: SCREW, DUCT | 10 | 4 |

*Color Code (-)=Not Shown #=Series, Serial Prefix or Run No., N=Not Available

Section: MOTOR DRIVE

Model: MDG16PRDWW



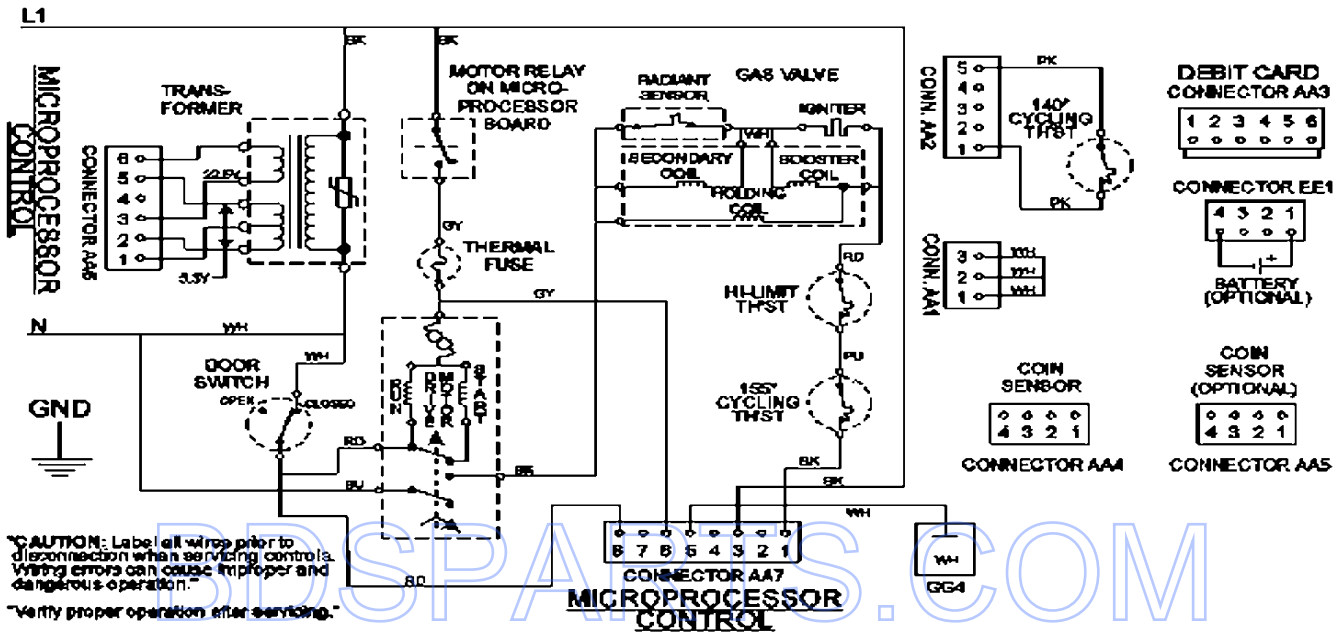
Section: MOTOR DRIVE

| No. | Part No. | Description | Series | Qty |
|-----|------------|---|--------|-----|
| 1 | 33001789 | HOUSING, BLOWER | 10 | 1 |
| 2 | 33001800 | DUCT ASSY., EXHAUST | 10 | 1 |
| - | 22001995 | SCREW Note: SCREW, EXHAUST DUCT ASSEMBLY | 10 | 1 |
| 3 | 410233 | RING, RETAINING | 10 | 2 |
| 4 | 33002797 | WHEEL, BLOWER | 10 | 1 |
| 5 | 33001837 | COVER, THERMOSTAT (ELEC ONLY) | 10 | 1 |
| 6 | 33001855 | SCREW (HEX HEAD) Note: SCREW, HOUSING COVER | 10 | 8 |
| 7 | N 313561 | SCREW----NA Note: SCREW, HOUSING COVER | 10 | 3 |
| 8 | Y303391 | CYCLING THERMOSTAT 155 DEG. | 10 | 1 |
| 8 | 303392 | CYCLING THERMOSTAT 140 DEG. | 10 | 1 |
| 9 | 22001996 | SCREW Note: SCREW, THERMOSTAT | 10 | 4 |
| 10 | 33001762 | FUSE, THERMAL (W' BRACKET) | 10 | 1 |
| 11 | 314848 | SCREW Note: SCREW, THERMAL CUT-OFF | 10 | 1 |
| 12 | 314137 | FOOT, RUBBER | 10 | 4 |
| 13 | 33002711 | COVER, BLOWER HOUSING | 10 | 1 |
| 14 | 314818 | SCREW Note: SCREW, BLOWER HOUSING | 10 | 4 |
| 15 | 33002795 | MOTOR, DRIVE 60HZ | 10 | 1 |
| 16 | 33002221 | CLIP, MOTOR | 10 | 2 |
| 17 | 910343 | SCREW, GROUND WIRE | 10 | 1 |
| 18 | Y052740 | NUT Note: NUT, LEG | 10 | 4 |
| 19 | 901220 | WIRE, GROUND | 10 | 1 |
| 20 | 310376 | CLIP, WIRE HARNESS | 10 | 1 |
| - | 33002461 | PLUG FOR SPRING | 25 | 1 |
| 21 | 33002460 | SPRING, IDLER | 10 | 1 |
| 22 | 33001840 | IDLER ARM & SHAFT ASSY. | 10 | 1 |
| 23 | 312527 | WASHER, IDLER SHAFT (QTY-1) | 10 | 2 |
| 24 | 33001783 | BEARING, IDLER ASSEMBLY | 10 | 1 |
| 25 | 312958 | RETAINING RING, IDLER SHAFT | 10 | 1 |
| 26 | 33002218 | GROMMET, IDLER ARM | 10 | 1 |
| 27 | Y014874 | SCREW Note: SCREW, IDLER ARM SLEEVE | 10 | 1 |
| 28 | 33002817 | MOTOR SUPPORT, OFFSET | 10 | 1 |
| 29 | N 313561 | SCREW----NA Note: SCREW, MOTOR & BLOWER | 10 | 2 |
| 30 | N 33002465 | BASE, (LWR)----NA | 10 | 1 |
| 31 | 305086 | ADJUSTABLE LEG & NUT | 10 | 4 |
| 32 | 315471 | RETAINER, WIRE | 10 | 1 |
| 33 | 410490 | SPRING, WIRE HARNESS | 10 | 2 |

*Color Code (-)=Not Shown #=Series, Serial Prefix or Run No., N=Not Available

Section: WIRING INFORMATION

Model: MDG16PRDWW



ELECTRICAL SCHEMATIC

