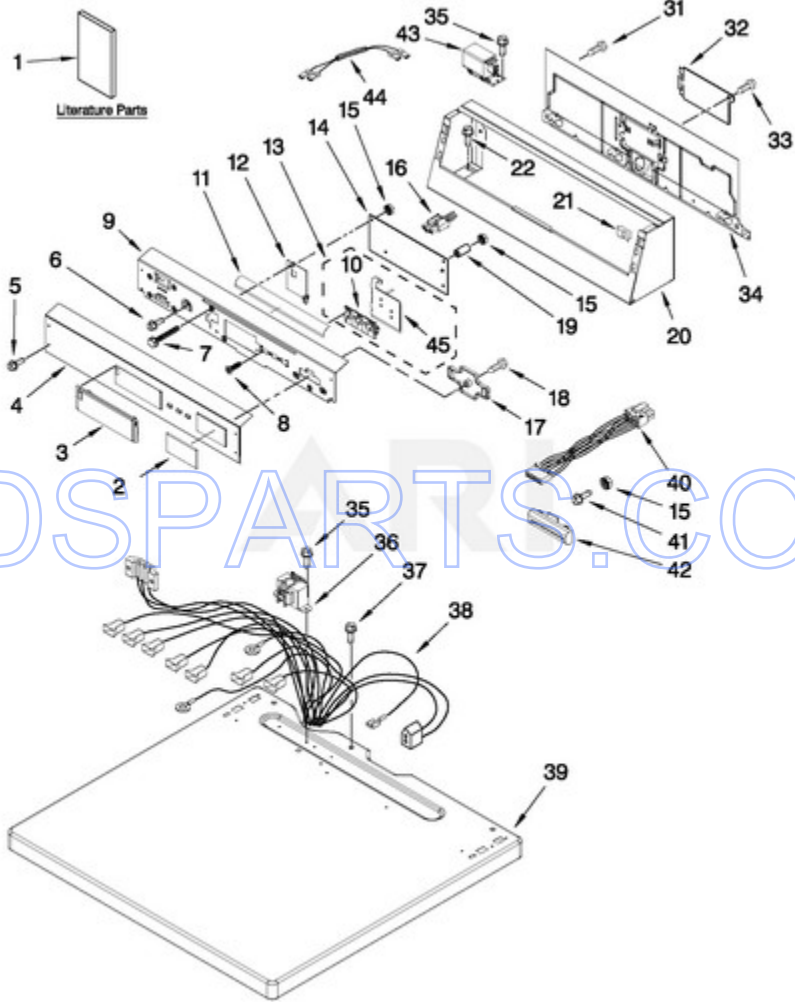


MDG17PRAWW1 - 01 - TOP AND CONSOLE PARTS

TOP AND CONSOLE PARTS

For Model: MDG17PRAWW1
(White)



FOR ORDERING INFORMATION REFER TO PARTS PRICE LIST

W10184592

2

Page design © 2004-2017 by ARI Network Services, Inc.

Ref #	Part #	Description	Qty	Context	Note	MSRP
1	W10184578	Instructions, Installation				
1	W10135291	Card Reader, Installation Instructions				
1	W10183571	Tech Sheet				
1	W10143804	Wiring Diagram				
1	W10184592	Repair Parts List				
2	W10137769	Cover, Card Reader				
3	W10131114	Cover, Display				
4	W10135182	Facia / Overlay				
5	W10131119	SCREW				
6	W10142728	SCREW				
7	W10137322	SCREW				
8	W10140652	SCREW				
9	W10124215	Bracket, Control				
10	W10131113	Push Button				
11	W10133515	Deflector				
12	W10161476	Shield, Probing				
13	W10135233	Push Button & Switch Assembly				
14	W10130081	Control Board				
15	W10139046	Nut 6-32				
16	W10133282	Jumper, Service Vault Switch				
17	W10137770	Retainer, Card				
18	3400618	SCREW				
19	W10133514	Spacer				
20	W10205150	Console				
21	W10131123	NUT, No.8 U TYPE				
22	W10139210	SCREW				
31	3390647	SCREW				
32	8317340	Cover, Terminal Block				
33	3390814	Screw				
34	W10177312	Panel, Rear (Upper)				
35	8533971	SCREW				
36	W10131839	TRANSFORMER 120 TO 22.5 VAC.				
37	3400000	SCREW				
38	W10130190	Harness, Main				
39	W10136704	Top				
40	W10133304	Harness, Card Reader				
41	W10143462	SCREW				
42	W10131115	Bezel				
43	8540229	RFI Filter				

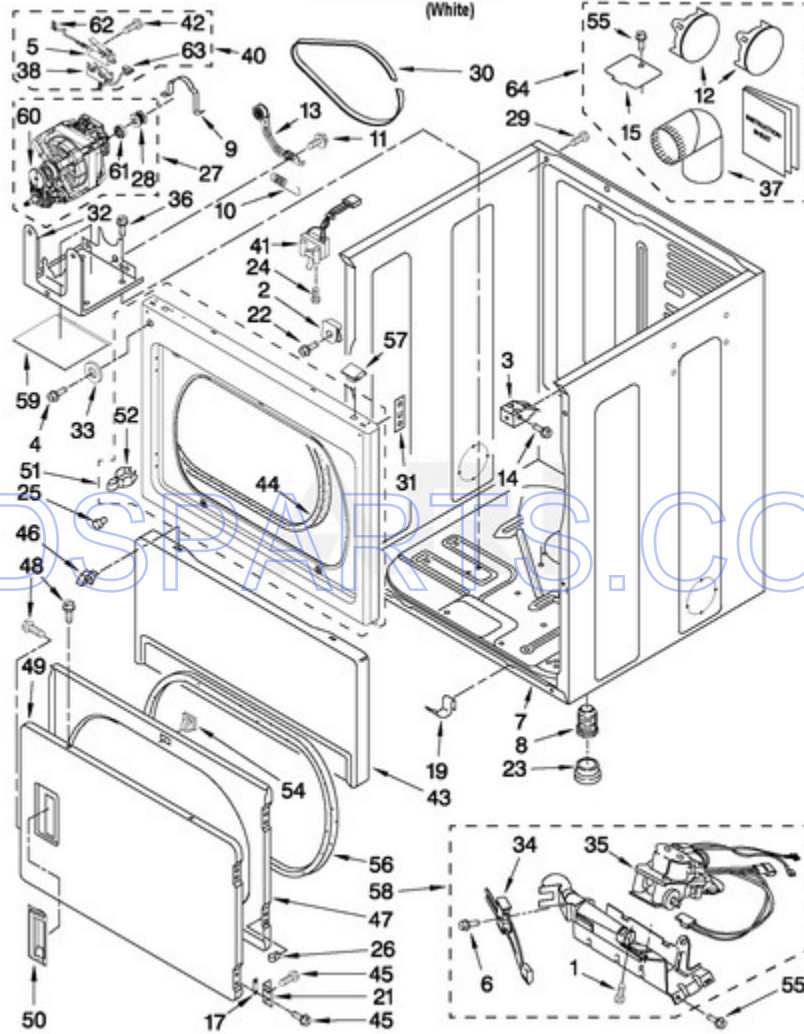
Ref #	Part #	Description	Qty	Context	Note	MSRP
44	W10175650	Jumper-Line Filter				
45	W10135255	Membrane Switch with Backer Plate				

BDSPARTS.COM

MDG17PRAWW1 - 02 - CABINET PARTS

CABINET PARTS

For Model: MDG17PRAWW1
(White)



BDS PARTS.COM

FOR ORDERING INFORMATION REFER TO PARTS PRICE LIST

W10184592

Page design © 2004-2017 by ARI Network Services, Inc.

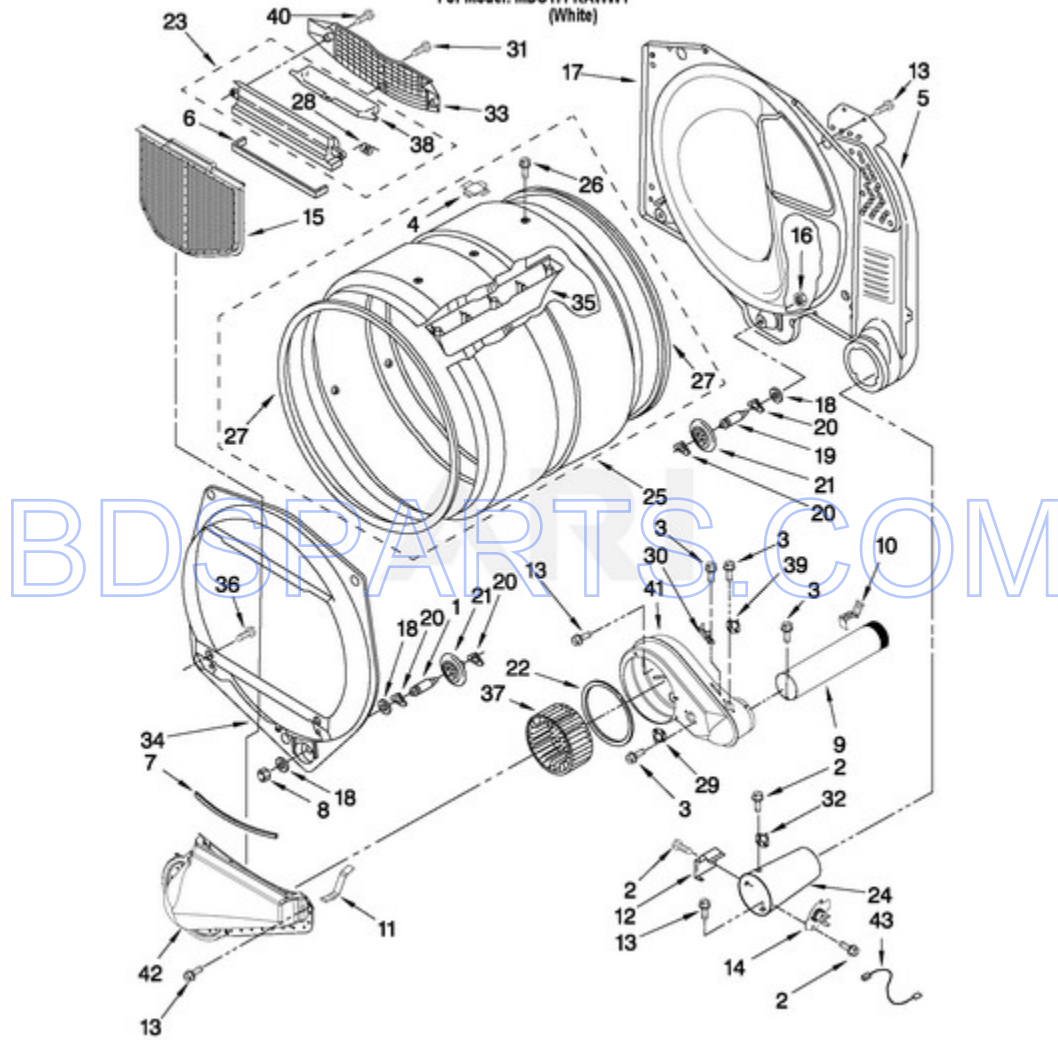
Ref #	Part #	Description	Qty	Context	Note	MSRP
1	3387057	SCREW				
2	W10131123	NUT, No.8 U TYPE				
3	3391846	Clip, Front Panel				
4	3400077	SCREW				
5	8564010	Switch, Broken Belt				
6	3393909	SCREW				
7	8310656	Cabinet				
8	3392100	Foot, Dryer (Plastic)				
NI	279810	FOOT - OPTIONAL (EXTENDED ENGTH PACKAGE OF 2) (NOT INCLUDED)				
9	660658	Clamp, Motor				
10	3387374	Spring, Idler				
11	3389420	Retainer, Idler				
12	697750	Plug, Multivent				
13	W10141380	IDLER ASSEMBLY				
14	3391915	SCREW				
15	3394331	Plate, Cover				
17	W10191265	PLUG, HINGE SCREW				
19	297092	CLIP				
21	3389247	HINGE AND PIN				
22	W10131119	SCREW				
23	3391943	Boot, Foot				
24	697773	Screw				
25	693152	Bumper				
26	3389249	NUT, ``U``				
27	W10139766	MOTOR ASSEMBLY 60 HZ.				
28	3394341	PULLEY				
29	8533974	SCREW				
30	W10131172	Belt, Drive				
31	3390902	CLIP, DOOR HINGE				
32	W10135695	Bracket, Motor				
33	3392186	Washer				
34	686590	Ignitor				
35	W10141728	VALVE, GAS (60 HZ – COMPLETE)				
36	3390663	SCREW				
37	279731	4``-90° ELBOW				
38	8564011	Bracket, Switch				
40	W10155571	SWITCH, ASSEMBLY				
41	3406109	Door Switch Assembly				

Ref #	Part #	Description	Qty	Context	Note	MSRP
42	W10002600	SCREW				
43	697215	Panel, Toe				
44	3387242	Seal, Front Panel				
45	342055	SCREW				
46	3388229	Retainer				
47	3392563	Door, Rear				
48	694091	Screw				
49	3387872	Door, Front				
50	W10116360	Handle, Door				
51	W10192882	Front Panel				
52	696144	Strike, Door				
54	3392538	Catch, Door Assembly				
55	3390647	SCREW				
56	3390735	Seal, Door				
57	345670	LOCK-TOP				
58	W10135231	Burner Assembly 60 HZ. (Refer To Pages 8 & 9 For Further Breakdown)				
59	W10212660	Sound Pad, Motor				
60	3405160	BELT, POLY V				
61	3393657	BELT, RESTRAIN				
62	W10167613	Wire, Belt Switch (To Protector)				
63	8539892	WIRE-MOTOR TO-BELT-SWITCH				
NI	279818	DRYER EXHAUST KIT (FOR SIDE & BOTTOM VENTING) (WHITE)				

MDG17PRAWW1 - 03 - BULKHEAD PARTS

BULKHEAD PARTS

For Model: MDG17PRAWW1
(White)



W10184592

FOR ORDERING INFORMATION REFER TO PARTS PRICE LIST

6

Page design © 2004-2017 by ARI Network Services, Inc.

Ref #	Part #	Description	Qty	Context	Note	MSRP
1	8575324	Shaft, R.H. Thread				
2	90767	Screw				
3	8533971	SCREW				
4	8066086	DRUM HOLE PLUG				
5	3394346	Air Duct Assembly				
6	697813	Seal, Outlet Housing				
7	697814	Seal, Drum Front				
8	3934666	NUT,3/8 X 16(R.H.)				
9	8066224	Exhaust Pipe				
10	8572105	Clip				
11	8066208	CLIP, SPRING				
12	338906	Sensor, Radiant				
13	3390647	SCREW				
14	8573713	Thermal Cut-Off (Includes Item 32)				
15	W10049370	Screen, Lint				
16	W10001120	Nut, 3/8-16 (L.H.)				
17	3387809	Bulkhead, Rear				
18	3387459	Washer, Support				
19	8575325	Shaft, L.H. Thread				
20	690997	Ring, Tri				
21	8536973	Roller, Support				
22	697770	Seal, Cover Plate				
23	8563755	Housing, Outlet				
24	8573824	FUNNEL-BURNER				
25	8318215	Drum Complete				
26	W10219342	SCREW				
27	W10166807	Seal, Drum				
28	3394986	Spring, Lint Screen				
29	W10131836	THERMOSTAT, 140°F CYCLING				
30	3392519	THERMAL LIMITER				
31	487909	SCREW				
32	3391912	THERMOSTAT, HIGH-LIMIT 255° F				
33	8563756	Grill, Outlet				
34	697557	Bulkhead, Front				
35	697693	BAFFLE, DRUM				
36	3357011	Screw				
37	W10168564	Wheel, Blower				
38	8563758	Door, Lint Screen				
39	W10193019	Thermostat 155 F Gas				

Ref #	Part #	Description	Qty	Context	Note	MSRP
40	3387230	SCREW				
41	W10135254	Housing, Blower				
42	8066168	Lint Duct Assembly				
43	3401707	WIRE JUMPER				

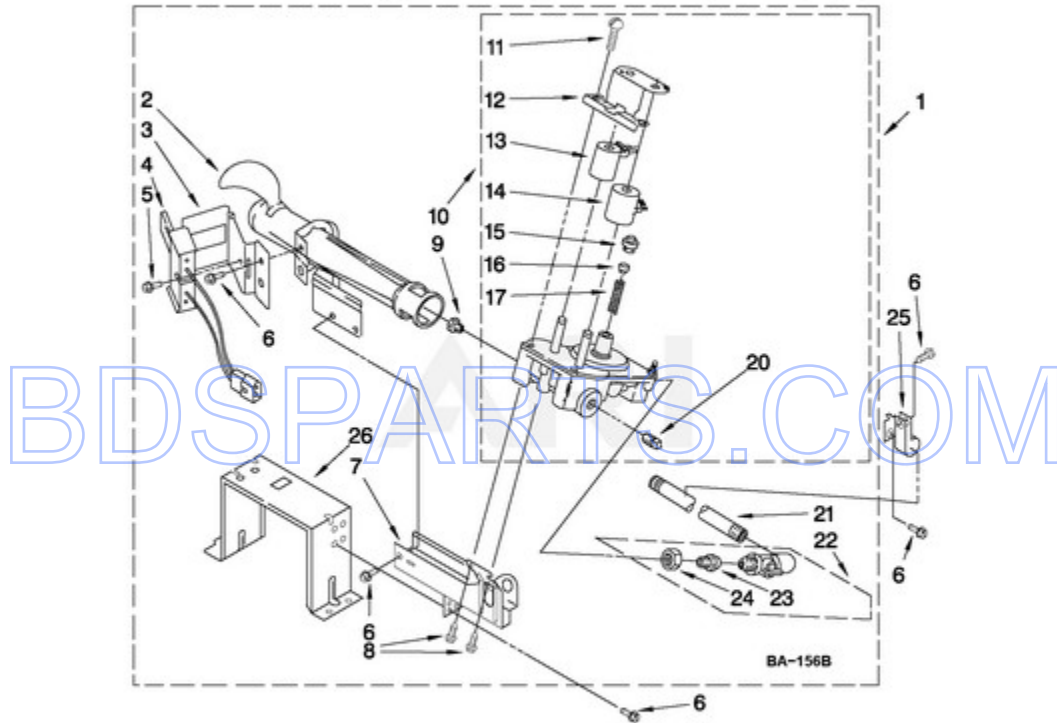
BDSPARTS.COM

MDG17PRAWW1 - 04 - W10135231 BURNER ASSEMBLY

W10135231 BURNER ASSEMBLY

For Model: MDG17PRAWW1
(White)

USE WITH TYPE 1 - NATURAL, TYPE 2 - MIXED,
AND TYPE 4 - LIQUEFIED PROPANE AND BUTANE GASES



FOR ORDERING INFORMATION REFER TO PARTS PRICE LIST

W10184592

8

Page design © 2004-2017 by ARI Network Services, Inc.

Ref #	Part #	Description	Qty	Context	Note	MSRP
1	W10135231	Burner Assembly 60 Hz. (Type 1, 2 & 3) (White Rodgers)				
2	688617	Tube, Burner				
3	694298	Bracket, Ignitor				
4	686590	Ignitor				
5	3393909	Screw & Washer (8-32 x 5/8)				
6	343641	Screw, 10-16 x 1/2				
7	3389871	Base, Burner				
8	3387057	SCREW, 10-16 X 1/2				
9	234870	Orifice, Burner (Type 1)				
9	234868	Orifice, Burner (Type 2)				
10	W10141728	VALVE, GAS (60 HZ – COMPLETE)				
11	694421	SCREW, 8-32 X 1/2				
12	694538	Bracket, Coil				
13	694540	Coil, 60 Hz. (2 Terminal) (Main)				
14	694539	COIL, 60-HZ (SPLIT) (3 TERMINAL) (PILOT POSITION)				
15	694424	Leak, Limiter				
16	694423	Screw, Regulator Adjustment				
17	694422	Spring, Regulator				
20	239822	Plug, Pipe				
21	W10110395	Pipe, Gas Supply				
22	697441	Valve & Union Shut-Off				
23	3393767	Pipe, Tail				
24	233076	Nut, Compression				
25	3387561	Clamp, Pipe				
26	3389889	Bracket, Support				
NI	W10436933	CONVERSION KIT (TYPE 1 AND 2) TO TYPE (4) L.P.G.				