



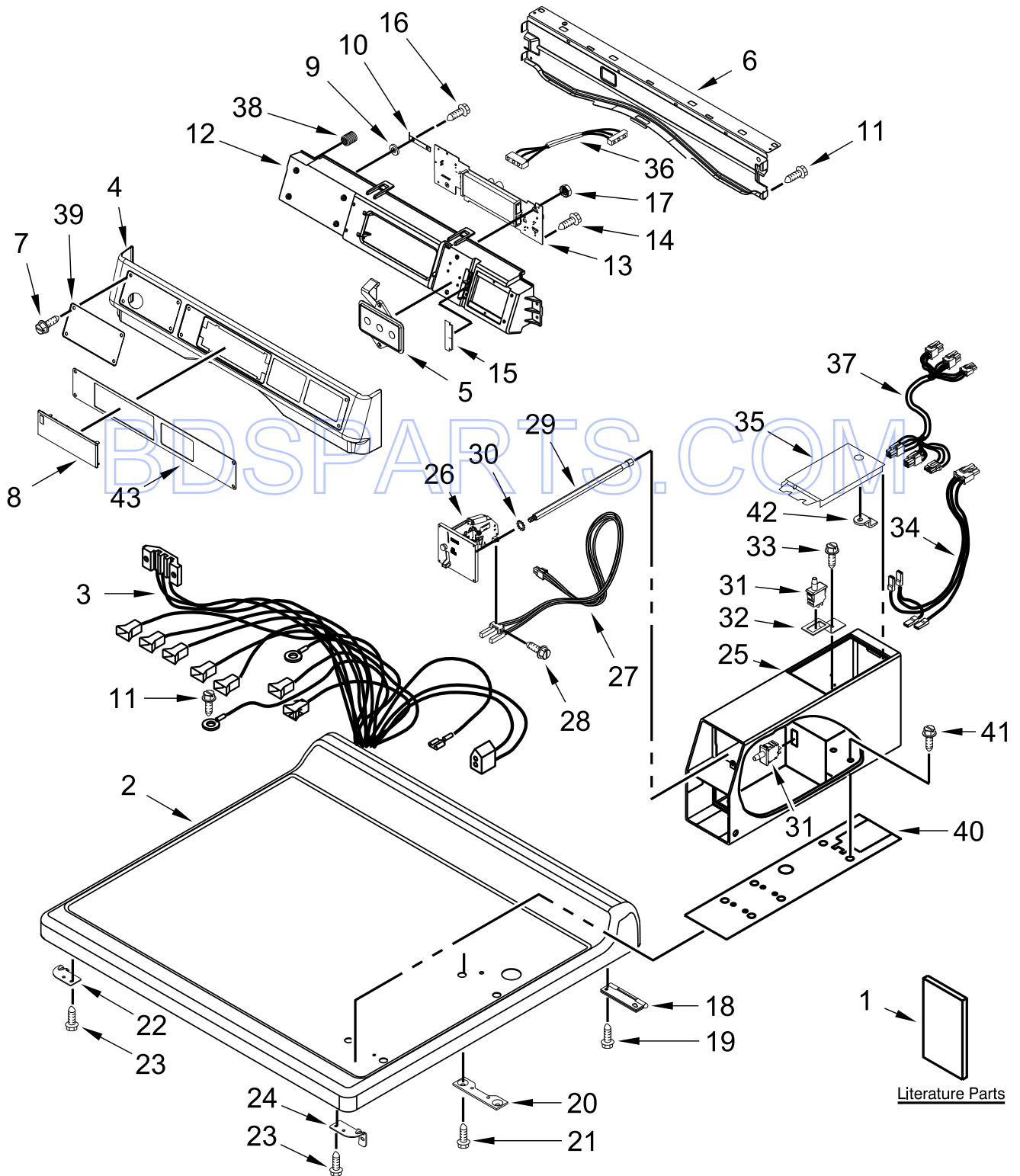
**COMMERCIAL GAS DRYER**

**MODELS:**

MDG28PDCWW0 (White)

[BDSPARTS.COM](http://BDSPARTS.COM)

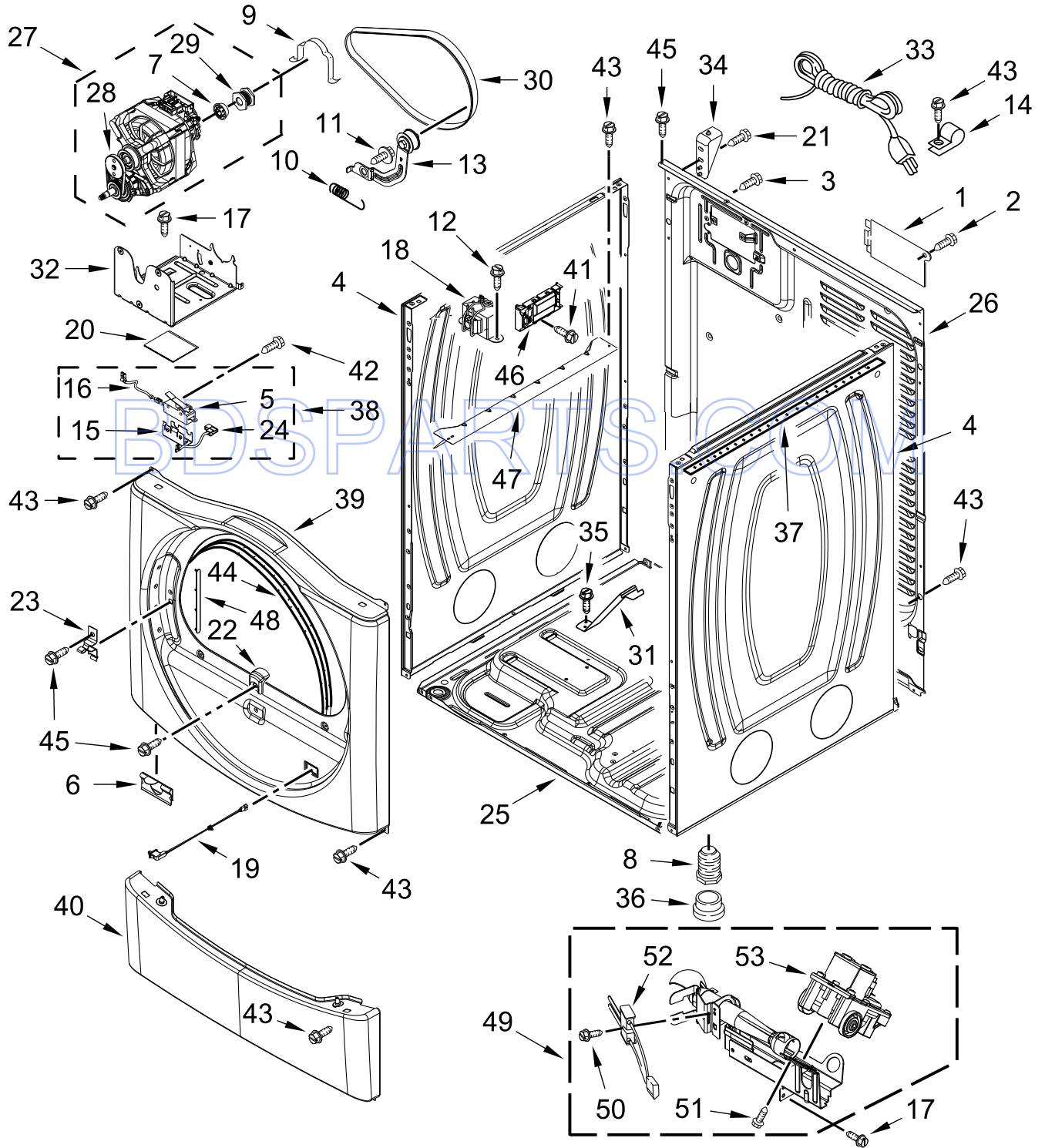
# TOP AND CONSOLE PARTS



# TOP AND CONSOLE PARTS

| <u>Illus. No.</u> | <u>Part No.</u> | <u>Description</u>              | <u>Illus. No.</u> | <u>Part No.</u> | <u>Description</u>          | <u>Illus. No.</u> | <u>Part No.</u> | <u>Description</u>     |
|-------------------|-----------------|---------------------------------|-------------------|-----------------|-----------------------------|-------------------|-----------------|------------------------|
| 1                 |                 | Literature Parts                | 18                |                 | Hinge & Pin Assembly        | 35                | 3351136         | Assembly, Service Door |
|                   | W10590740       | Installation Instruction        |                   | 8565018         | White                       | 36                | W10166307       | Harness, Communication |
|                   | W10589717       | Tech Sheet                      | 19                | 342055          | Screw                       | 37                | W10166308       | Harness, Meter Case    |
| 2                 |                 | Top                             | 20                | 3347825         | Plate, Mounting             | 38                | W10189313       | Insert                 |
|                   | W10137411       | White                           | 21                | 98445           | Screw                       | 39                | W10804029       | Dispenser, Fascia      |
| 3                 | W10555112       | Harness, Main                   | 22                | W10137445       | Bracket - Top Panel, Left   | 40                | W10137448       | Cushion, Meter Case    |
| 4                 | W10779120       | Console (Outer)                 | 23                | 3390647         | Screw                       | 41                | 3349065         | Bolt                   |
| 5                 | W10779142       | Switch, Membrane & Backer Plate | 24                | W10137444       | Bracket - Top Panel, Right  |                   |                 | Meter Case Mounting    |
| 6                 | 8565237         | Bracket, Console                | 25                | W10171128       | Meter Case                  | 42                | W10156125       | Cam, Commercial Lock   |
| 7                 | W10137457       | Screw                           | 26                | W10133242       | Assembly, Single Coin Drop  | 43                | W10801807       | Fascia-Console         |
| 8                 | W10267645       | Cover, Display                  | 27                |                 | Coin Optic Sensor Assembly  |                   |                 |                        |
| 9                 | W10189075       | Washer, Brass                   |                   | W10247389       | White                       |                   |                 |                        |
| 10                | W10532923       | Ground-Jumper, Tab              | 28                | W10142655       | Screw                       |                   |                 |                        |
| 11                | 337686          | Screw                           | 29                | W10137319       | Bolt, Hex Bar               |                   |                 |                        |
| 12                | W10137427       | Console (Inner)                 | 30                | W10068270       | Washer, Lock                |                   |                 |                        |
| 13                | W10166385       | User-Interface Assembly         | 31                | W10131838       | Switch, Vault Service Door  |                   |                 |                        |
| 14                | 489136          | Screw                           | 32                | W10133508       | Bracket, Service Switch     |                   |                 |                        |
| 15                | W10187276       | Seal, Console                   | 33                | W10139210       | Screw                       |                   |                 |                        |
| 16                | 488234          | Screw                           | 34                | W10211244       | Wire, Harness Sensor Switch |                   |                 |                        |
| 17                | W10139046       | Nut                             |                   |                 |                             |                   |                 |                        |

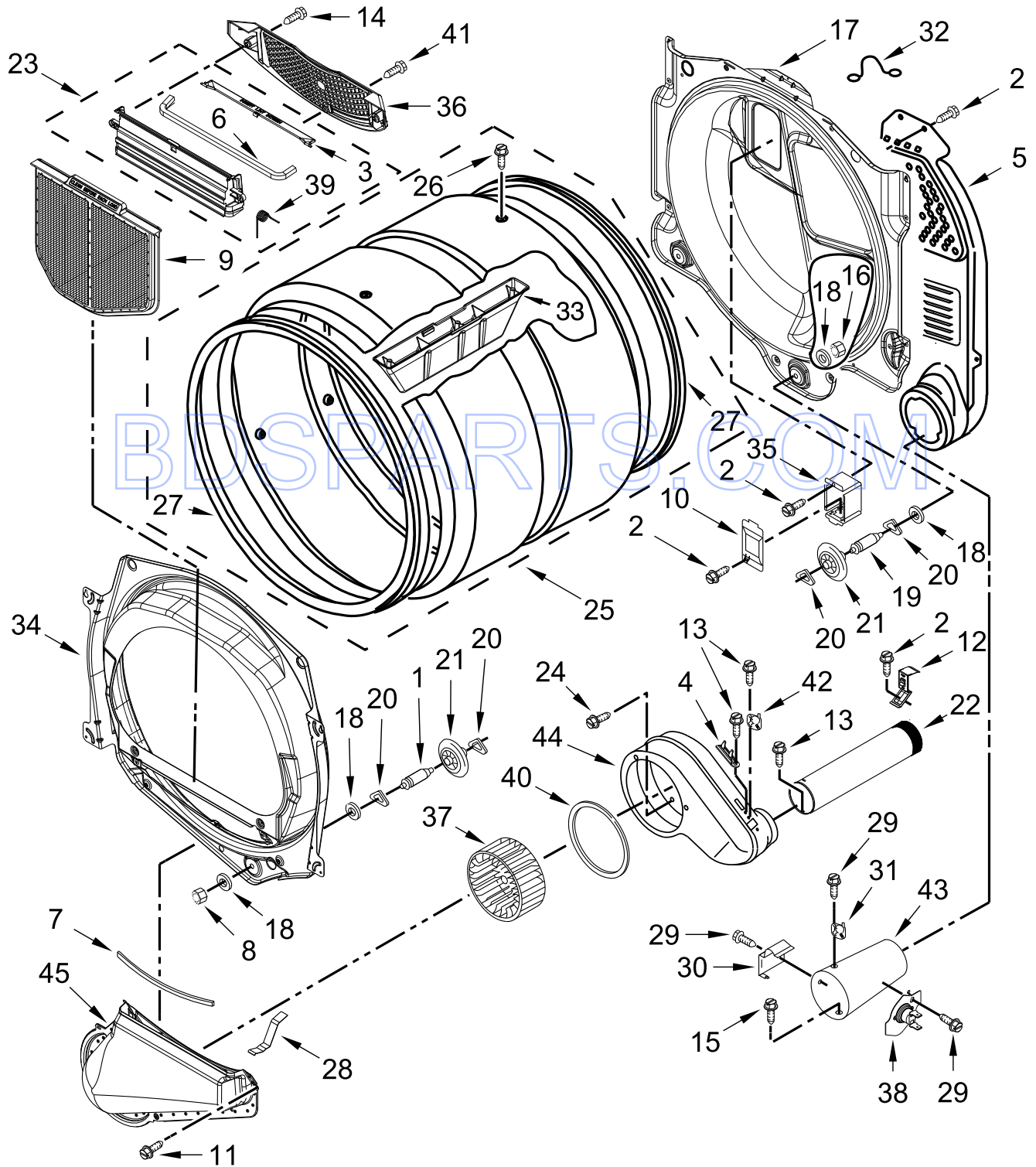
# CABINET PARTS



# CABINET PARTS

| <u>Illus.</u><br><u>No.</u> | <u>Part No.</u> | <u>Description</u>   | <u>Illus.</u><br><u>No.</u> | <u>Part No.</u> | <u>Description</u>         | <u>Illus.</u><br><u>No.</u> | <u>Part No.</u> | <u>Description</u>             |
|-----------------------------|-----------------|--|-----------------------------|-----------------|----------------------------|-----------------------------|-----------------|--------------------------------|
| 1                           | 8317340         | Cover, Terminal Block  | 18                          | W10131839       | Transformer                | 39                          |                 | Panel, Front                   |
| 2                           | 3390814         | Screw  | 19                          | W10350910       | Assembly, Door Switch      |                             | W10549665       | White                          |
| 3                           | W10773242       | Screw  | 20                          | W10212660       | Motor, Sound Pad           | 40                          |                 | Panel, Toe                     |
| 4                           |                 | Panel, Side  | 21                          | 3390647         | Screw                      |                             | 8540621         | White                          |
|                             | W10542714       | White  | 22                          | 8580015         | Ramp, Door                 | 41                          | 8533971         | Screw                          |
| 5                           | 8564010         | Assembly, Switch and Actuator                                | 23                          | 8565122         | Strike, Door               | 42                          | 98129           | Screw                          |
| 6                           | 8519459         | Clip, Toe Panel  | 24                          | 8539892         | Wire, Motor To Belt Switch | 43                          | 3390647         | Screw                          |
| 7                           | 3393657         | Restrainer, Belt   | 25                          | 8565046         | Base, Cabinet              | 44                          | 3387242         | Seal, Front Panel              |
| 8                           | 3392100         | Foot, Dryer  | 26                          | 8565059         | Panel, Rear                | 45                          | 3357011         | Screw                          |
|                             | 279810          | Foot, Optional (Extended Length Package Of 2) (Not Included) | 27                          | W10396034       | Assembly, Motor 60 HZ.     | 46                          | W10166305       | Control Board                  |
| 9                           | 660658          | Clamp, Motor   | 28                          | 3405160         | Belt, Drive (Blower Wheel) | 47                          | 8563727         | Bracket, Control               |
| 10                          | W10446781       | Spring, Idler  | 29                          | 3394341         | Pulley, Motor              | 48                          | 8565043         | Plug, Front Panel              |
| 11                          | 3389420         | Screw  | 30                          | W10131172       | Belt, Drive                | 49                          | W10135231       | Burner Assembly (60 Hz)        |
| 12                          | 8533971         | Screw  | 31                          | 8529757         | Bracket, Burner            | 50                          | 3393909         | Screw                          |
| 13                          | W10344192       | Assembly, Idler  | 32                          | W10135695       | Bracket, Motor             | 51                          | 3387057         | Screw                          |
| 14                          | 3978776         | Bracket, Gas Pipe  | 33                          | 3401401         | Cord, Power                | 52                          | 686590          | Ignitor                        |
| 15                          | 8564011         | Bracket, Switch  | 34                          | W10137398       | Stop, Top Panel            | 53                          | W10141728       | Valve, Gas (60 Hz - Complete)  |
| 16                          | W10167613       | Wire, Belt Switch  | 35                          | 693995          | Screw                      |                             |                 | OPTIONAL PARTS NOT ILLUSTRATED |
| 17                          | 343641          | Screw  | 36                          | 3391943         | Boot, Foot                 |                             | W10470674       | Kit, 4-Way Venting             |
|                             |                 |  | 37                          | 8318396         | Seal, Foam                 |                             |                 |                                |
|                             |                 |  | 38                          | W10155571       | Switch, Assembly           |                             |                 |                                |

# BULKHEAD PARTS



# BULKHEAD PARTS

| <u>Illus. No.</u> | <u>Part No.</u> | <u>Description</u>                     | <u>Illus. No.</u> | <u>Part No.</u> | <u>Description</u>                    | <u>Illus. No.</u> | <u>Part No.</u> | <u>Description</u>       |
|-------------------|-----------------|--|-------------------|-----------------|---------------------------------------|-------------------|-----------------|--------------------------|
| 1                 | W10359271       | Shaft, Drum Roller - Right Hand Thread | 16                | W10001120       | Nut, Hex (Left Hand Thread)           | 32                | 3401707         | Jumper, Wire             |
| 2                 | 3390647         | Screw                                  | 17                | W10080170       | Bulkhead, Rear                        | 33                | W10153409       | Baffle, Drum             |
| 3                 | W10153413       | Door, Lint Screen                      | 18                | 3387459         | Washer                                | 34                | 8565061         | Bulkhead, Front          |
| 4                 | 3392519         | Fuse, Thermal (91C)                    | 19                | W10359272       | Shaft, Drum Roller - Left Hand Thread | 35                | 8578825         | Bracket, Drum Light      |
| 5                 | 3394346         | Assembly, Air Duct                     | 20                | W10512946       | Washer, Tri Ring                      | 36                | W10153412       | Grille, Outlet           |
| 6                 | 697813          | Seal, Outlet Housing                   | 21                | W10314171       | Roller, Support                       | 37                | W10349492       | Wheel, Blower            |
| 7                 | 697814          | Seal, Drum Front                       | 22                | 8563728         | Pipe, Exhaust                         | 38                | 8573713         | Cut-Off, Thermal         |
| 8                 | 3934666         | Nut, Hex                               | 23                | W10153423       | Assembly, Outlet Housing              | 39                | 3394986         | Spring, Lint Screen Door |
| 9                 |                 | Lint Screen                            | 24                | 489463          | Screw                                 | 40                | 697770          | Seal, Plate Cover        |
|                   | W10596627       | White                                  | 25                | W10549246       | Assembly, Drum (Complete)             | 41                | 695240          | Screw                    |
| 10                | 3402841         | Lens, Drum Light                       | 26                | W10219342       | Screw                                 | 42                | 8577274         | Thermistor               |
| 11                | 359625          | Screw                                  | 27                | W10521118       | Seal, Drum                            | 43                | 8573824         | Funnel, Burner           |
| 12                | 8572105         | Clip, Exhaust                          | 28                | W10345456       | Clip, Spring                          | 44                | 8544362         | Housing, Blower          |
| 13                | 8533971         | Screw                                  | 29                | 90767           | Screw                                 | 45                | 8066168         | Assembly, Lint Duct      |
| 14                | 3387230         | Screw                                  | 30                | 338906          | Sensor, Radiant                       |                   |                 |                          |
| 15                | 693995          | Screw                                  | 31                | 3391912         | Thermostat, Hi Limit                  |                   |                 |                          |

BDSPARTS.COM



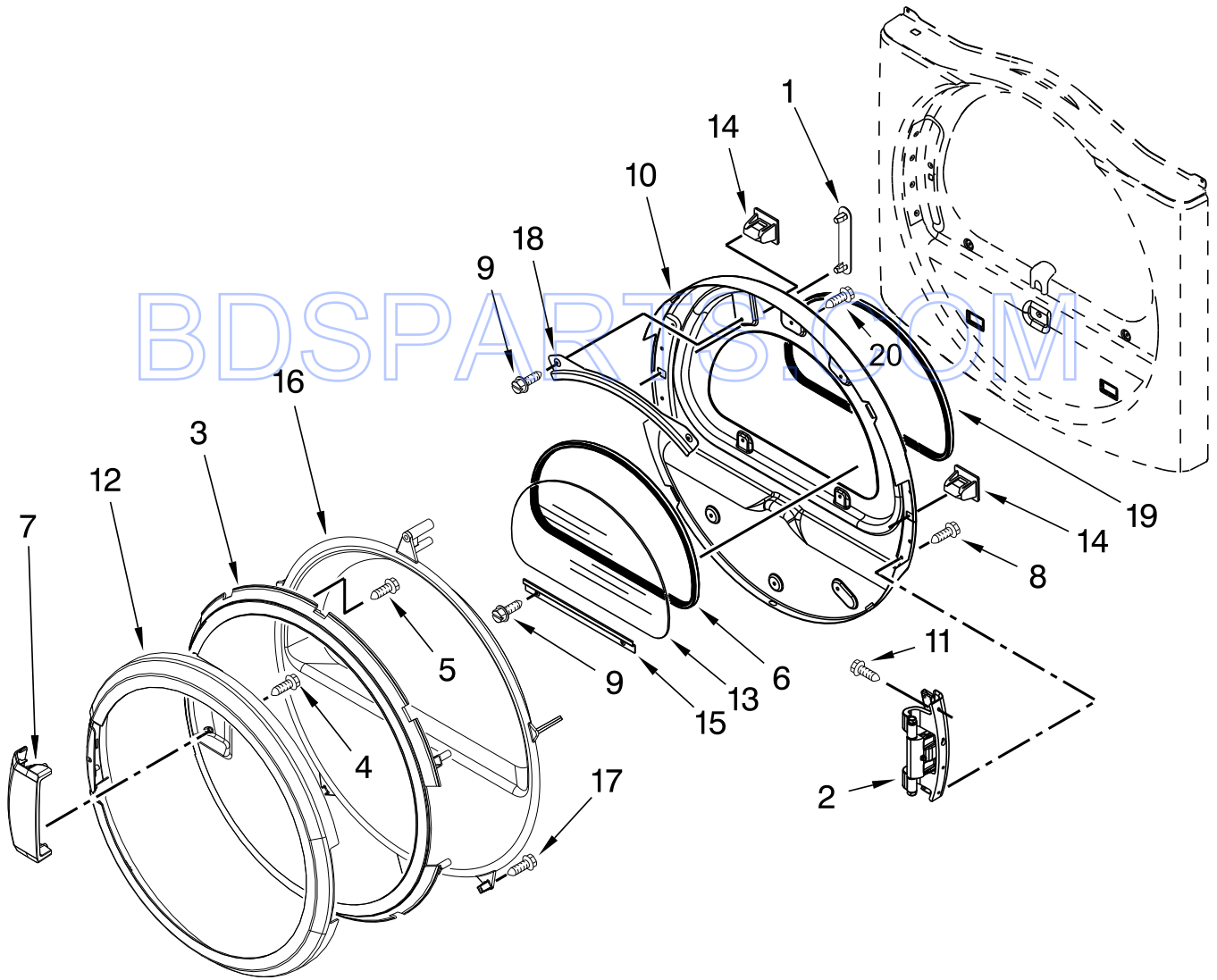


# BURNER ASSEMBLY

| <u>Illus. No.</u> | <u>Part No.</u> | <u>Description</u>            | <u>Illus. No.</u> | <u>Part No.</u> | <u>Description</u>                                | <u>Illus. No.</u> | <u>Part No.</u> | <u>Description</u>                           |
|-------------------|-----------------|-------------------------------|-------------------|-----------------|---|-------------------|-----------------|--|
| 1                 | W10135231       | Burner Assembly (60 Hz)       | 12                | 694538          | Bracket, Coil                                     | 24                | 233076          | Nut, Compression                             |
| 2                 | 688617          | Tube, Burner                  | 13                | 694540          | Coil, 60 Hz. (2 Terminal) (Main)                  |                   |                 | Following Parts Not Illustrated              |
| 3                 | 694298          | Bracket, Ignitor              | 14                | 694539          | Coil, 60 Hz (Split) (3 Terminal) (Pilot Position) | W10135245         |                 | Conversion Kit (Type 1 and 2) to Type L.P.G. |
| 4                 | 686590          | Ignitor                       | 15                | 694424          | Leak, Limiter                                     |                   |                 |  |
| 5                 | 3393909         | Screw                         | 16                | 694423          | Screw, Regulator Adjustment                       |                   |                 |  |
| 6                 | 343641          | Screw                         | 17                | 694422          | Spring, Regulator                                 |                   |                 |  |
| 7                 | 3389871         | Base, Burner                  |                   |                 |   |                   |                 |  |
| 8                 | 3387057         | Screw                         | 18                | 3387561         | Clamp, Pipe                                       |                   |                 |  |
| 9                 |                 | Orifice, Burner               | 19                | 3389889         | Bracket, Support                                  |                   |                 |  |
|                   | 234870          | Type 1 (Natural)              | 20                | 239822          | Plug, Pipe  |                   |                 |  |
|                   | 234868          | Type 4 (Propane)              | 21                | W10110395       | Pipe, Gas Supply                                  |                   |                 |  |
| 10                | W10141728       | Valve, Gas (60 Hz - Complete) | 22                | 697441          | Valve, Gas  |                   |                 |  |
| 11                | 694421          | Screw, Coil                   | 23                | 3393767         | Pipe, Tail  |                   |                 |  |

BDSPARTS.COM

# DOOR PARTS



# DOOR PARTS

| <u>Illus.</u><br><u>No.</u> | <u>Part No.</u> | <u>Description</u>          |
|-----------------------------|-----------------|-----------------------------|
| 1                           | 8565119         | Hole Cover, Hinge           |
| 2                           | W10304672       | Assembly, Door Hinge        |
| 3                           | W10137467       | Assembly, Door Intermediate |
| 4                           | 9742177         | Screw                       |
| 5                           | 3400618         | Screw                       |
| 6                           | 8579663         | Seal, Window                |
| 7                           | W10112976       | Handle, Door White          |

| <u>Illus.</u><br><u>No.</u> | <u>Part No.</u> | <u>Description</u>              |
|-----------------------------|-----------------|---------------------------------|
| 8                           | W10159996       | Screw                           |
| 9                           | 3393258         | Screw                           |
| 10                          | W10363674       | Door, Inner                     |
| 11                          | 355515          | Screw                           |
| 12                          | W10112916       | Outer Ring, Door                |
| 13                          | W10286878       | Window                          |
| 14                          | 690081          | Assembly, Door Catch            |
| 15                          | 8519354         | Retainer, Window                |
| 16                          | 8580059         | Door, Intermediate (Stationary) |

| <u>Illus.</u><br><u>No.</u> | <u>Part No.</u> | <u>Description</u>       |
|-----------------------------|-----------------|--------------------------|
| 17                          | 8534022         | Screw                    |
| 18                          | 8519356         | Retainer, Window (Upper) |
| 19                          | W10163915       | Seal, Door               |
| 20                          | 8534044         | Screw                    |

BDSPARTS.COM

# OPTIONAL PARTS (NOT INCLUDED)

## PAINT, TOUCH-UP (1/2OZ.)

| <u>Illus.</u><br><u>No.</u> | <u>Part No.</u> | <u>Description</u> |
|-----------------------------|-----------------|--------------------|
|                             | 72017           | White              |

## PAINT, BULK (1 QT.)

| <u>Illus.</u><br><u>No.</u> | <u>Part No.</u> | <u>Description</u> |
|-----------------------------|-----------------|--------------------|
|                             | 799344          | White (Uncut)      |

## ACCESSORY PARTS

| <u>Illus.</u><br><u>No.</u> | <u>Part No.</u> | <u>Description</u> |
|-----------------------------|-----------------|--------------------|
|                             | 8529894         | Kit, Hold Down     |
|                             | 80047           | Kit, Dryer Repair  |

## PAINT, PRESSURIZED SPRAY (12 OZ.)

| <u>Illus.</u><br><u>No.</u> | <u>Part No.</u> | <u>Description</u> |
|-----------------------------|-----------------|--------------------|
|                             | 350938          | Gray Primer        |
|                             | 350930          | White              |

## SEALER

| <u>Illus.</u><br><u>No.</u> | <u>Part No.</u> | <u>Description</u>                 |
|-----------------------------|-----------------|------------------------------------|
|                             | 285195          | Sealer, Gasket (.20 Fl. Oz.) (6ml) |

BDSPARTS.COM