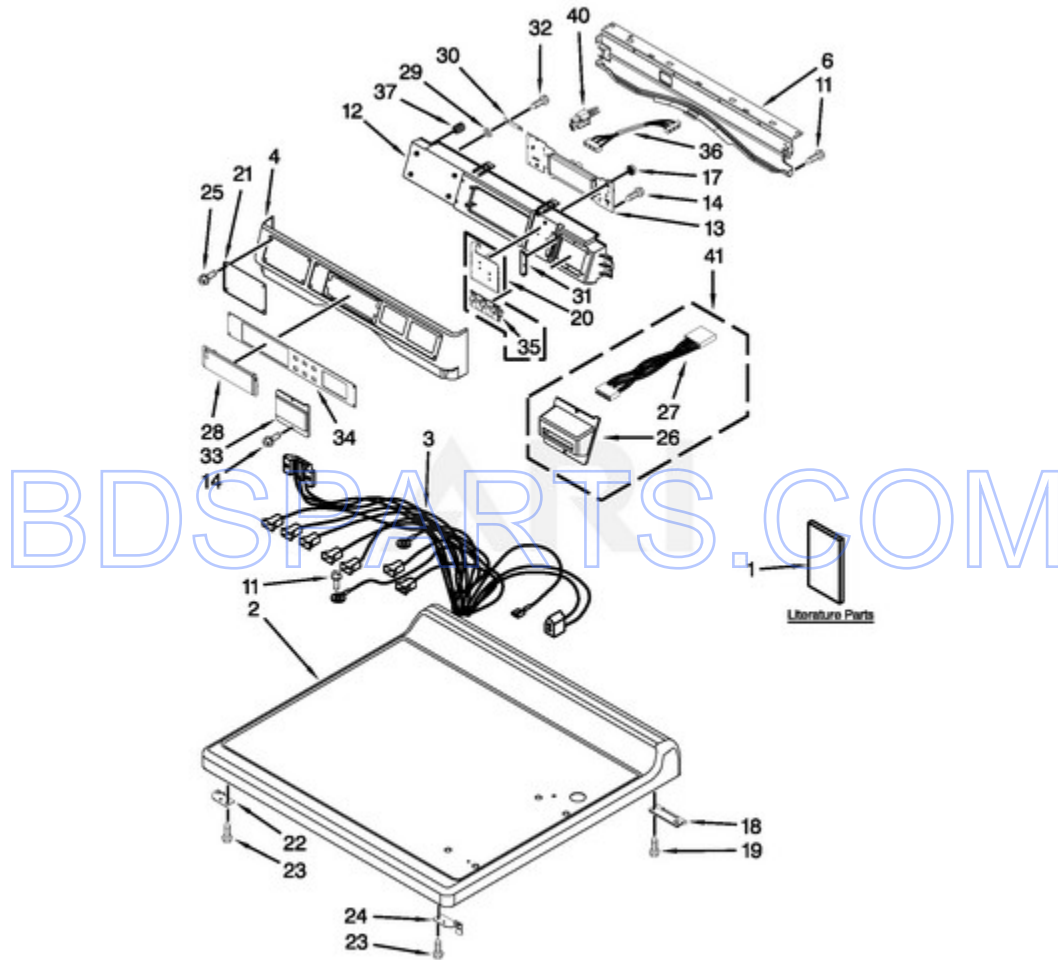


MDG25PRAWW2 - 01 - TOP AND CONSOLE PARTS

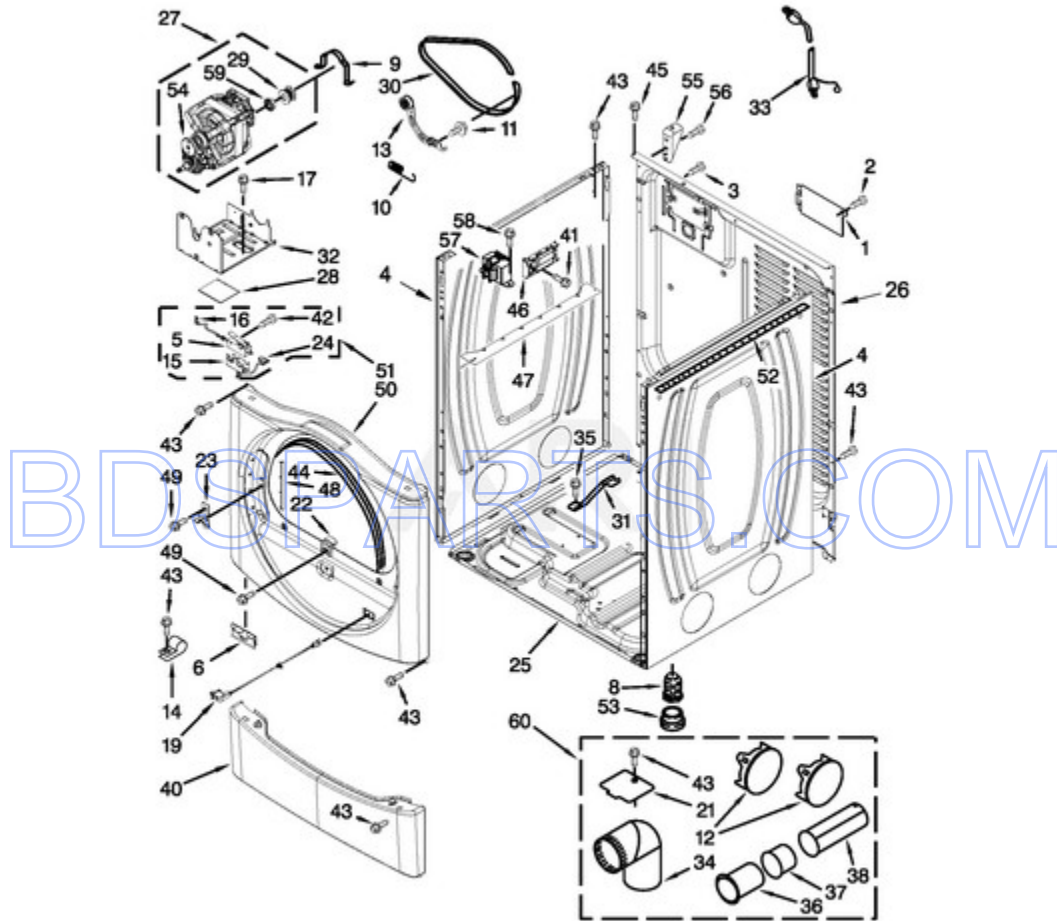
TOP AND CONSOLE PARTS



| Ref # | Part # | Description | Qty | Context | Note | MSRP |
|-------|-----------|---|-----|---------|------|------|
| 1 | W10135154 | Installation Instruction | | | | |
| 1 | W10313706 | INSTALLATION INSTRUCTIONS, CARD READER | | | | |
| 1 | W10166310 | WIRING DIAGRAM | | | | |
| 1 | W10239202 | TECH SHEET | | | | |
| 2 | W10137410 | TOP (WHITE) | | | | |
| 3 | W10555112 | HARNESS, MAIN | | | | |
| 4 | W10137459 | Console (Outer) | | | | |
| 6 | 8565237 | Bracket, Console | | | | |
| 11 | 3390647 | SCREW | | | | |
| 12 | W10137427 | Console (Inner) | | | | |
| 13 | W10166387 | USER-INTERFACE ASSEMBLY | | | | |
| 14 | 489136 | SCREW | | | | |
| 17 | W10139046 | NUT | | | | |
| 18 | 8565018 | HINGE & PIN ASSEMBLY (WHITE) | | | | |
| 19 | 342055 | SCREW | | | | |
| 20 | W10135255 | SWITCH, MEMBRANE & BACKER PLATE | | | | |
| 21 | W10137461 | DISPENSER, FASCIA | | | | |
| 22 | W10137445 | BRACKET - TOP PANEL, LEFT | | | | |
| 23 | 3390647 | SCREW | | | | |
| 24 | W10137444 | BRACKET - TOP PANEL, RIGHT | | | | |
| 25 | W10137457 | SCREW | | | | |
| 26 | W10137454 | Bezel, Card Reader | | | | |
| 27 | W10331020 | HARNESS, WIRING CARD READER | | | | |
| 28 | W10267645 | COVER, DISPLAY | | | | |
| 29 | W10189075 | Washer, Brass | | | | |
| 30 | W10532923 | GROUND-JUMPER, TAB | | | | |
| 31 | W10187276 | SEAL, CONSOLE | | | | |
| 32 | 488234 | SCREW | | | | |
| 33 | W10213906 | COVER, CARD READER | | | | |
| 34 | W10334889 | FASCIA-CONSOLE | | | | |
| 35 | W10131113 | BUTTON, PUSH | | | | |
| 36 | W10166307 | Harness, Communication | | | | |
| 37 | W10189313 | Insert | | | | |
| 40 | W10133282 | JUMPER, SWITCH SERVICE/VAULT | | | | |
| 41 | W10344080 | CARD READER, CONVERSION KIT VAULT SWITCH | | | | |

MDG25PRAWW2 - 02 - CABINET PARTS

CABINET PARTS



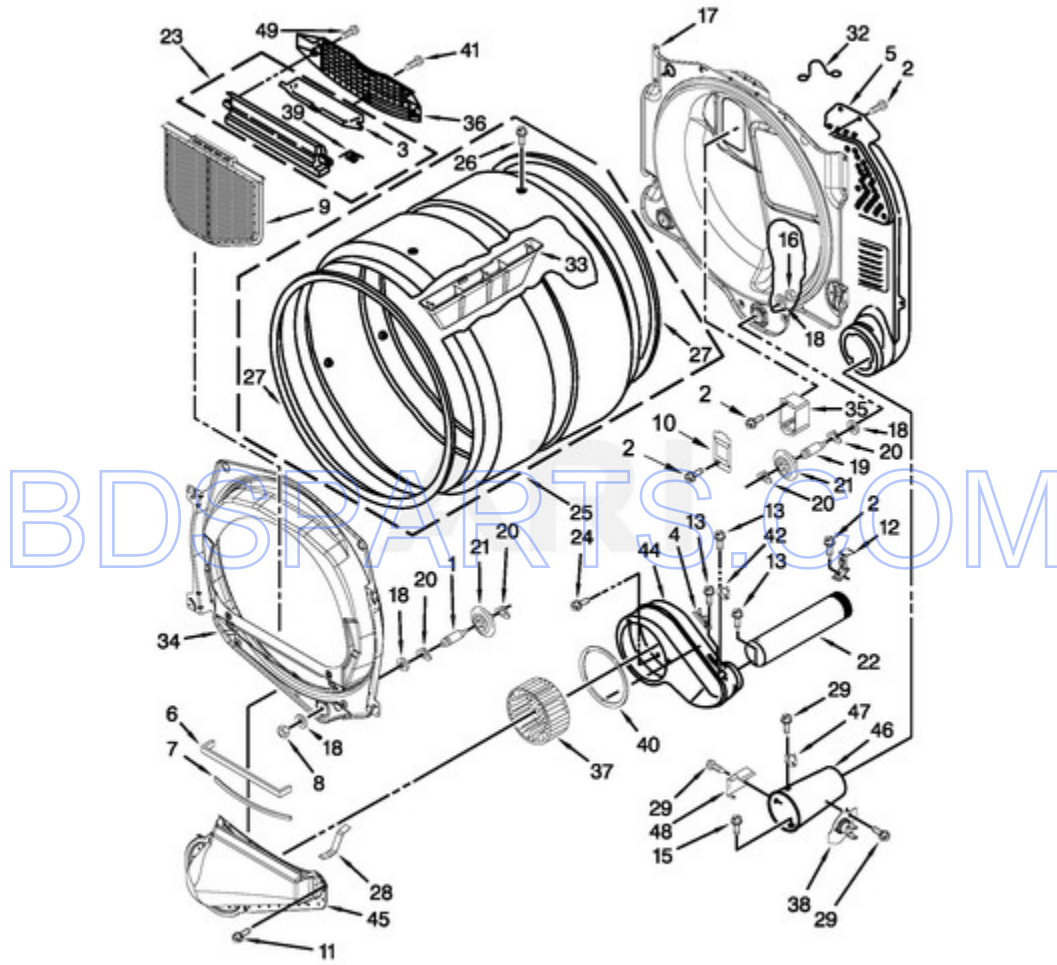
| Ref # | Part # | Description | Qty | Context | Note | MSRP |
|-------|-----------|---|-----|---------|------|------|
| 1 | 8317340 | Cover, Terminal Block | | | | |
| 2 | 3390814 | Screw | | | | |
| 3 | 8533974 | SCREW | | | | |
| 4 | W10542714 | PANEL, SIDE (WHITE) | | | | |
| 5 | 8564010 | ASSEMBLY, SWITCH & ACTUATOR | | | | |
| 6 | 8519459 | Clip, Toe Panel | | | | |
| 8 | 3392100 | Foot, Dryer | | | | |
| NI | 279810 | FOOT, OPTIONAL (EXTENDED LENGTH PACKAGE OF 2) (NOT INCLUDED) | | | | |
| 9 | 660658 | Clamp, Motor | | | | |
| 10 | W10446781 | SPRING, IDLER | | | | |
| 11 | 3389420 | SCREW | | | | |
| 12 | 697750 | MULTIVENT PLUG (WHITE) | | | | |
| 13 | W10344192 | ASSEMBLY, IDLER | | | | |
| 14 | 3978776 | Bracket, Gas Pipe | | | | |
| 15 | 8564011 | Bracket, Switch | | | | |
| 16 | W10167613 | Wire, Belt Switch | | | | |
| 17 | 343641 | Screw | | | | |
| 19 | W10350910 | ASSEMBLY, DOOR SWITCH | | | | |
| 21 | 8066115 | Plate, Cover | | | | |
| 22 | 8580015 | RAMP, DOOR | | | | |
| 23 | 8565122 | STRIKE, DOOR | | | | |
| 24 | 8539892 | WIRE-MOTOR TO-BELT-SWITCH | | | | |
| 25 | 8565046 | Base, Cabinet | | | | |
| 26 | 8565059 | Panel, Rear | | | | |
| 27 | W10396034 | ASSEMBLY, MOTOR 60 HZ. | | | | |
| 28 | W10212660 | MOTOR, SOUND PAD | | | | |
| 29 | 3394341 | PULLEY, MOTOR | | | | |
| 30 | W10131172 | Belt, Drive | | | | |
| 31 | 8529757 | BRACKET, BURNER | | | | |
| 32 | W10135695 | Bracket, Motor | | | | |
| 33 | W10440461 | CORD, POWER | | | | |
| 34 | 49026 | ELBOW | | | | |
| 35 | 693995 | SCREW | | | | |
| 36 | 8563747 | PIPE, EXHAUST (MEDIUM) | | | | |
| 37 | 8563750 | PIPE, EXHAUST (SHORT) | | | | |
| 38 | 8563749 | PIPE, EXHAUST (LONG) | | | | |
| 40 | 8540621 | PANEL, TOE (WHITE) | | | | |
| 41 | 8533971 | SCREW | | | | |

| Ref # | Part # | Description | Qty | Context | Note | MSRP |
|--------------|---------------|--|------------|----------------|-------------|-------------|
| 42 | W10002600 | SCREW | | | | |
| 43 | 3390647 | SCREW | | | | |
| 44 | 3387242 | Seal, Front Panel | | | | |
| 45 | 3393008 | SCREW | | | | |
| 46 | W10166305 | CONTROL BOARD | | | | |
| 47 | 8563727 | BRACKET, CONTROL | | | | |
| 48 | 8565043 | PLUG, FRONT PANEL | | | | |
| 49 | 3357011 | Screw | | | | |
| 50 | W10549665 | FRONT PANEL (WHITE) | | | | |
| 51 | W10155571 | SWITCH, ASSEMBLY | | | | |
| 52 | 8318396 | SEAL, FOAM | | | | |
| 53 | 3391943 | Boot, Foot | | | | |
| 54 | 3405160 | Belt Drive Blower Wheel | | | | |
| 55 | W10137398 | STOP, TOP PANEL | | | | |
| 56 | 3390647 | SCREW | | | | |
| 57 | W10131839 | TRANSFORMER | | | | |
| 58 | 8533971 | SCREW | | | | |
| 59 | 3393657 | Restrainer, Belt | | | | |
| 60 | 279818 | DRYER EXHAUST KIT (FOR SIDE & BOTTOM VENTING) (WHITE) | | | | |

BOSPARTS.COM

MDG25PRAWW2 - 03 - BULKHEAD PARTS

BULKHEAD PARTS



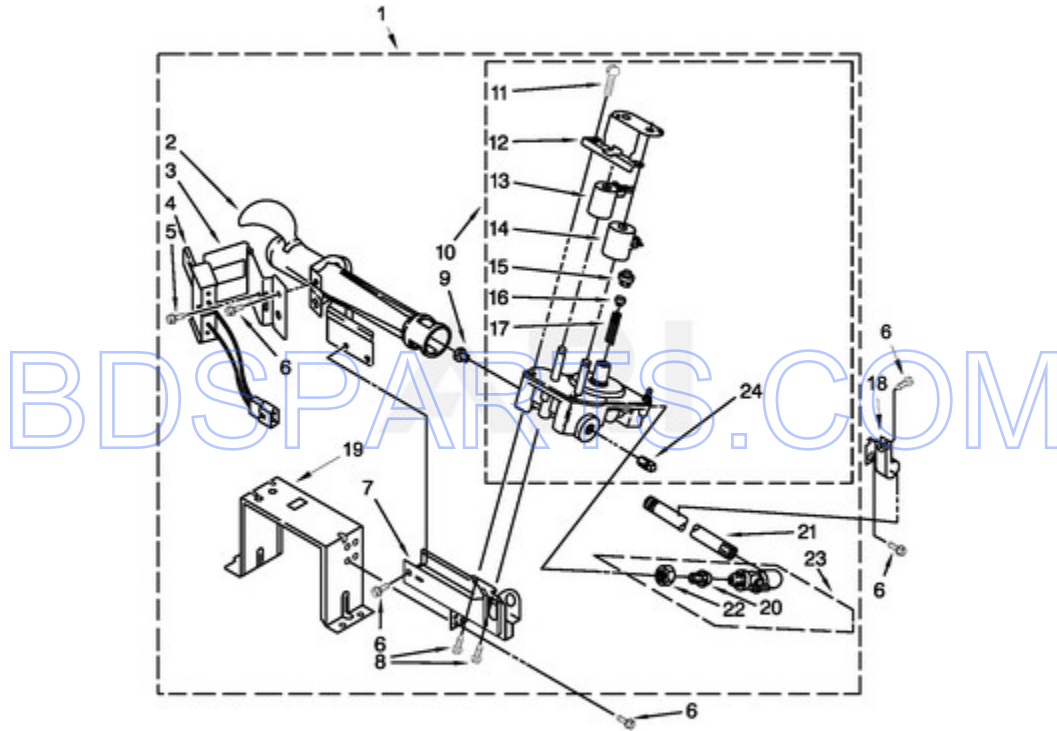
| Ref # | Part # | Description | Qty | Context | Note | MSRP |
|-------|-----------|-----------------------------|-----|---------|------|------|
| 1 | 8575324 | Shaft, R.H. Thread | | | | |
| 2 | 3390647 | SCREW | | | | |
| 3 | W10153413 | Door, Lint Screen | | | | |
| 4 | 3392519 | FUSE, THERMAL (91C) | | | | |
| 5 | 3394346 | ASSEMBLY, AIR DUCT | | | | |
| 6 | 697813 | Seal, Outlet Housing | | | | |
| 7 | 697814 | Seal, Drum Front | | | | |
| 8 | 3934666 | NUT, HEX | | | | |
| 9 | W10049370 | Screen, Lint | | | | |
| 10 | 3402841 | Lens, Drum Light | | | | |
| 11 | 359625 | SCREW | | | | |
| 12 | 8572105 | Clip, Exhaust | | | | |
| 13 | 8533971 | SCREW | | | | |
| 15 | 693995 | SCREW | | | | |
| 16 | W10001120 | NUT, HEX (LEFT HAND THREAD) | | | | |
| 17 | W10080170 | Bulkhead, Rear | | | | |
| 18 | 3387459 | WASHER | | | | |
| 19 | 8575325 | Shaft, L.H. Thread | | | | |
| 20 | W10512946 | WASHER, TRI RING | | | | |
| 21 | W10314171 | ROLLER, SUPPORT | | | | |
| 22 | 8563728 | PIPE, EXHAUST | | | | |
| 23 | W10153423 | ASSEMBLY, OUTLET HOUSING | | | | |
| 24 | 489463 | Screw | | | | |
| 25 | W10549246 | ASSEMBLY, DRUM (COMPLETE) | | | | |
| 26 | W10219342 | SCREW | | | | |
| 27 | W10521118 | SEAL, DRUM | | | | |
| 28 | W10345456 | CLIP-SPRING | | | | |
| 29 | 90767 | Screw | | | | |
| 32 | 3401707 | JUMPER, WIRE | | | | |
| 33 | W10153409 | Baffle, Drum | | | | |
| 34 | 8565061 | Bulkhead, Front | | | | |
| 35 | 8578825 | Bracket, Drum Light | | | | |
| 36 | W10153412 | Grille, Outlet | | | | |
| 37 | W10349492 | WHEEL, BLOWER | | | | |
| 38 | 8573713 | CUT-OFF, THERMAL | | | | |
| 39 | 3394986 | Spring, Lint Screen Door | | | | |
| 40 | 697770 | SEAL, PLATE COVER | | | | |
| 41 | 695240 | SCREW | | | | |
| 42 | 8577274 | THERMISTOR | | | | |

| Ref # | Part # | Description | Qty | Context | Note | MSRP |
|--------------|---------------|----------------------|------------|----------------|-------------|-------------|
| 44 | 8544362 | Housing, Blower | | | | |
| 45 | 8066168 | ASSEMBLY, LINT DUCT | | | | |
| 46 | 8573824 | FUNNEL-BURNER | | | | |
| 47 | 3391912 | THERMOSTAT, HI LIMIT | | | | |
| 48 | 338906 | Sensor, Radiant | | | | |
| 49 | 3387230 | SCREW | | | | |

BDSPARTS.COM

MDG25PRAWW2 - 04 - BURNER ASSEMBLY

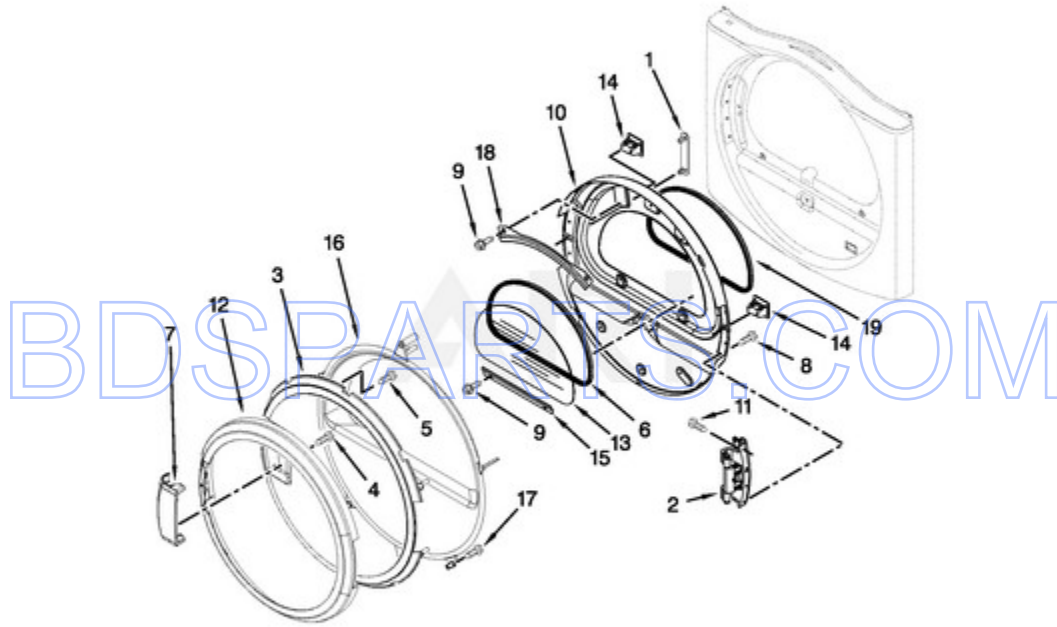
BURNER ASSEMBLY



| Ref # | Part # | Description | Qty | Context | Note | MSRP |
|-------|-----------|---|-----|---------|------|------|
| 1 | W10135231 | BURNER ASSEMBLY (60 HZ) | | | | |
| 2 | 688617 | Tube, Burner | | | | |
| 3 | 694298 | Bracket, Ignitor | | | | |
| 4 | 686590 | Ignitor | | | | |
| 5 | 3393909 | SCREW | | | | |
| 6 | 343641 | Screw | | | | |
| 7 | 3389871 | Base, Burner | | | | |
| 8 | 3387057 | SCREW | | | | |
| 9 | 234870 | Orifice, Burner (Type 1) | | | | |
| 9 | 234868 | Orifice, Burner (Type 2) | | | | |
| 10 | W10141728 | VALVE, GAS (60 HZ – COMPLETE) | | | | |
| 11 | 694421 | SCREW, COIL | | | | |
| 12 | 694538 | Bracket, Coil | | | | |
| 13 | 694540 | Coil, 60 Hz. (2 Terminal) (Main) | | | | |
| 14 | 694539 | COIL, 60 HZ (SPLIT, 3 TERMINAL) | | | | |
| 15 | 694424 | Leak, Limiter | | | | |
| 16 | 694423 | Screw, Regulator Adjustment | | | | |
| 17 | 694422 | Spring, Regulator | | | | |
| 18 | 3387561 | Clamp, Pipe | | | | |
| 19 | 3389889 | Bracket, Support | | | | |
| 20 | 3393767 | Pipe, Tail | | | | |
| 21 | W10110395 | Pipe, Gas Supply | | | | |
| 22 | 233076 | Nut, Compression | | | | |
| 23 | 697441 | VALVE, GAS | | | | |
| 24 | 239822 | Plug, Pipe | | | | |
| NI | N/P | FOLLOWING PARTS NOT ILLUSTRATED | | | | |
| NI | W10135245 | CONVERSION KIT (TYPE 1 AND 2) TO TYPE L.P.G. | | | | |

MDG25PRAWW2 - 05 - DOOR PARTS

DOOR PARTS



| Ref # | Part # | Description | Qty | Context Note | MSRP |
|-------|-----------|-----------------------------|-----|--------------|------|
| 1 | 8565119 | HOLE COVER, HINGE | | | |
| 2 | W10304672 | ASSEMBLY, DOOR HINGE | | | |
| 3 | W10137467 | Assembly, Door Intermediate | | | |
| 4 | 9742177 | Screw | | | |
| 5 | 3400618 | SCREW | | | |
| 6 | 8579663 | Seal, Window | | | |
| 7 | W10112976 | HANDLE, DOOR (WHITE) | | | |
| 8 | W10159996 | SCREW | | | |
| 9 | 3393258 | Screw | | | |
| 10 | W10363674 | DOOR, INNER | | | |
| 11 | 355515 | SCREW | | | |
| 12 | W10112916 | OUTER RING, DOOR | | | |
| 13 | W10286878 | WINDOW | | | |
| 14 | 690081 | ASSEMBLY, DOOR CATCH | | | |
| 15 | 8519354 | RETAINER, WINDOW | | | |
| 16 | 8580059 | Door, Intermediate | | | |
| 17 | 8534022 | SCREW | | | |
| 18 | 8519356 | RETAINER, WINDOW (UPPER) | | | |
| 19 | W10163915 | SEAL, DOOR | | | |

BDS PARTS .COM