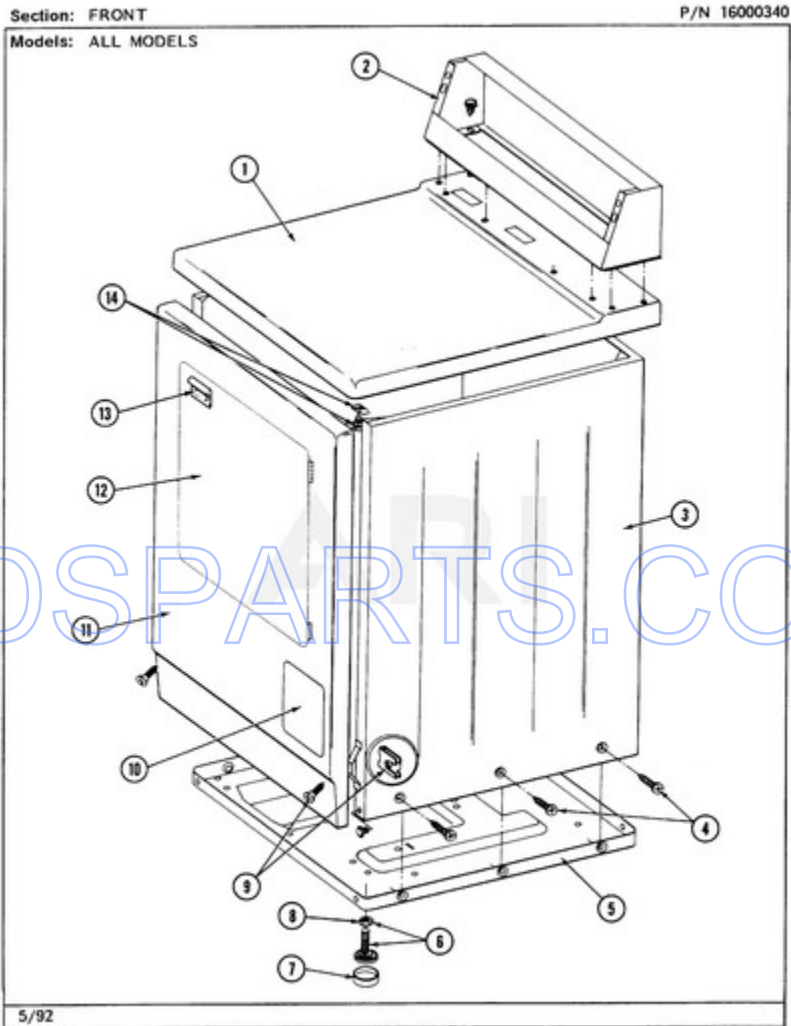
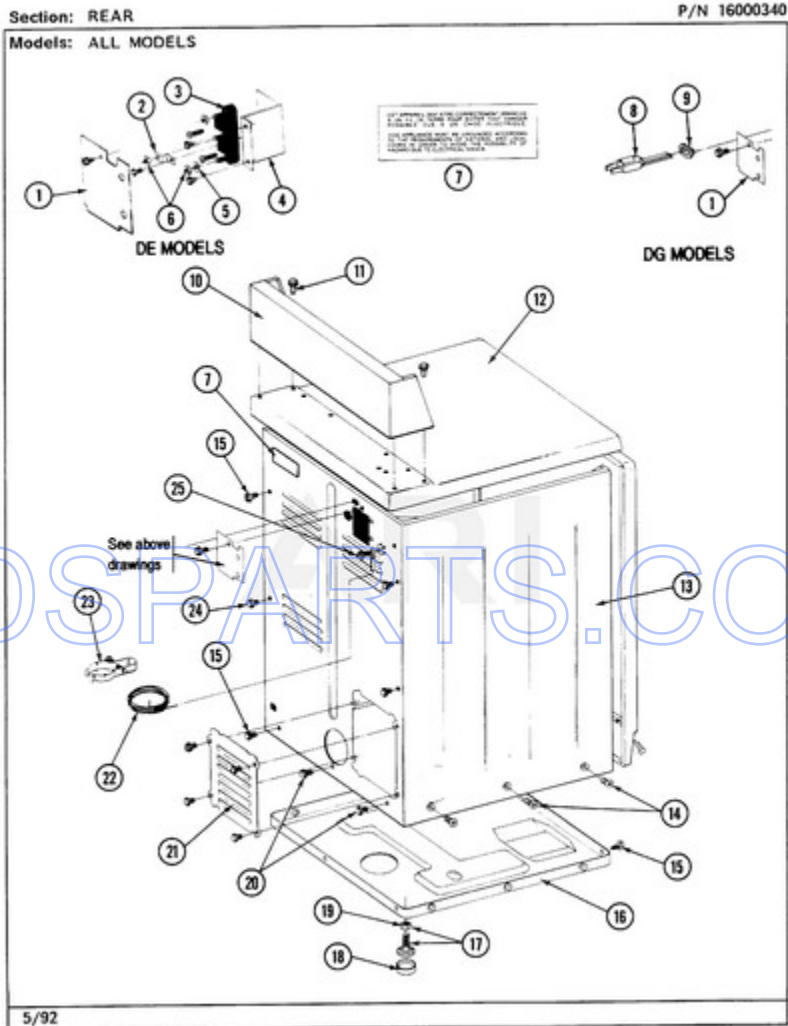


MDG26CSAAW - 01 - FRONT



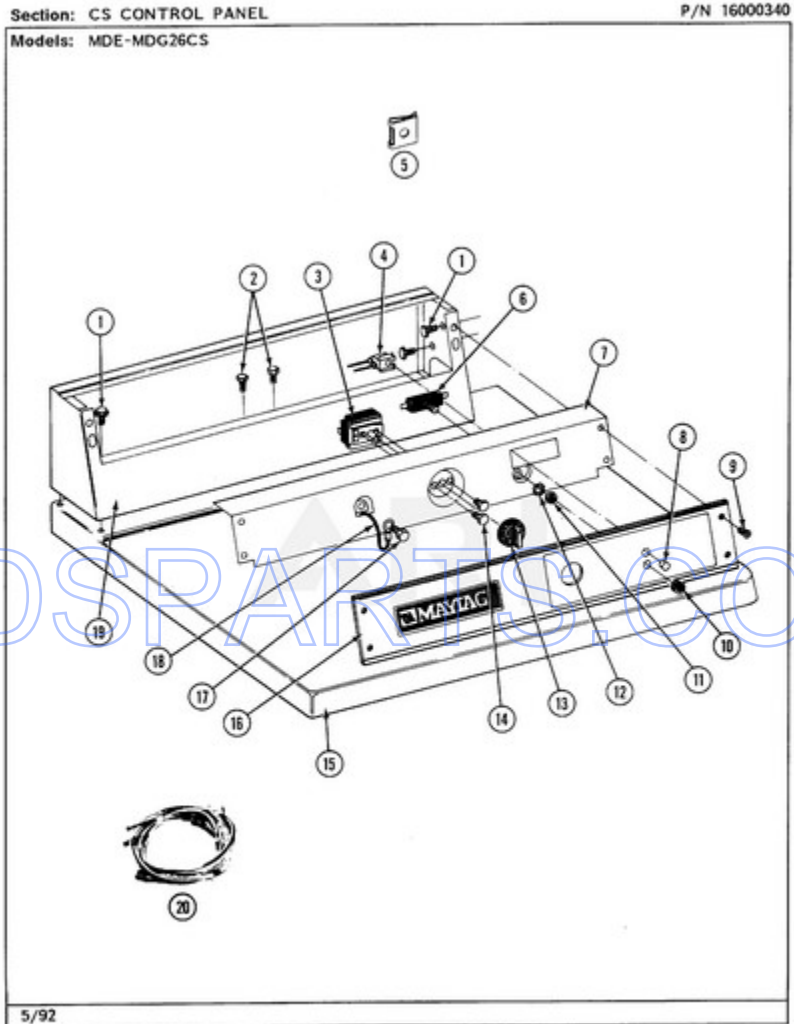
Ref #	Part #	Description	Qty	Note
1	307104	TOP COVER ASSY. (WHT)	1	Series A0
1	NLA	(ALM)	-	Series A0
2	212276	SCREW	4	Series A0
2	NLA	CONTROL COVER (WHT)	1	Series A0
3	NLA	CABINET (WHT)	1	Series A0
3	Y310632	SCREW	1	Series A0
4	213007	SCREW, CABINET	6	Series A0
5	Y303361	BASE ASSY.	1	Series A0
6	Y305086	ADJUSTABLE LEG & NUT	4	Series A0
7	Y314137	FOOT, RUBBER	4	Series A0
8	Y052740	NUT	4	Series A0
9	204439	SCREW & FSTNER ASSY (FT.PNL)	2	Series A0
10	NLA	ACCESS DOOR (WHT)	1	Series A0
11	307998L	(ALM)	-	Series A0
11	NLA	FRONT PANEL (WHT)	1	Series A0
12	308061	DOOR ASSY. COMPLETE (WHT)	1	Series A0
12	NLA	(ALM)	-	Series A0
13	314946	HANDLE (WHT)	1	Series A0
13	314972	(ALM)	-	Series A0
13	NLA	(H. WHEAT)	-	Series A0
14	204445	SCREW & FASTENER ASY.	2	Series A0

MDG26CSAAW - 02 - REAR



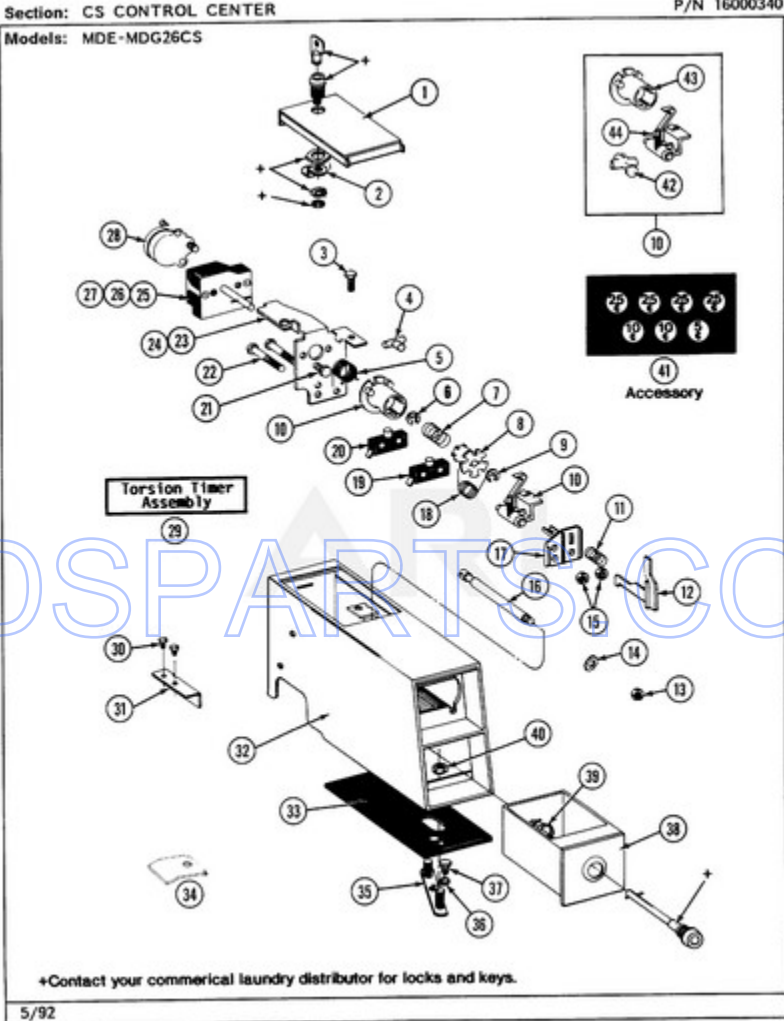
Ref #	Part #	Description	Qty	Context Note	MSRP
1	Y313561	SCREW----NA	1	Series A0	
1	Y312905	COVER, TERMINAL	1	Series A0	
2	Y311423	SCREW, No.10-32 X 1/2 INCH	2	Series A0	
2	Y312184	STRAP, GROUND	1	Series A0	
3	400008	BLOCK, TERMINAL	1	Series A0	
3	Y312209	SCREW, No.10-24 X 3/4 INCH-----O	2	Series A0	
4	Y313561	SCREW----NA	1	Series A0	
4	Y310632	SCREW	1	Series A0	
4	Y312904	BRACKET, TERMINAL BLOCK	1	Series A0	
5	Y311270	WASHER, TERMINAL BLOCK	3	Series A0	
6	311484	NUT, TERMINAL BLOCK	9	Series A0	
7	214519	LABEL, ELECTRICAL INSTR.	1	Series A0	
8	302521	POWER CORD	1	Series A0	
9	211881	GROMMET, CORD	1	Series A0	
10	NLA	CONTROL COVER (WHT)	1	Series A0	
11	212276	SCREW	4	Series A0	
12	307105	TOP COVER ASSY. (WHT)	1	Series A0	
12	NLA	(ALM)	-	Series A0	
13	NLA	CABINET (WHT)	1	Series A0	
14	213007	SCREW, CABINET	6	Series A0	
15	Y313561	SCREW----NA	1	Series A0	
16	Y303361	BASE ASSY.	1	Series A0	
17	Y305086	ADJUSTABLE LEG & NUT	4	Series A0	
18	Y314137	FOOT, RUBBER	4	Series A0	
19	Y052740	NUT	4	Series A0	
20	Y310632	SCREW	3	Series A0	
21	211294	SCREW	3	Series A0	
21	Y312951	COVER, ACCESS	1	Series A0	
21	Y313559	SCREW	1	Series A0	
22	311155	GROUND WIRE	1	Series A0	
23	301548	CLAMP, GROUND (W/SCREW)	1	Series A0	
23	NLA	SCREW	1	Series A0	
24	Y310632	SCREW	3	Series A0	
25	NLA	SCREW & WASHER ASSY.	1	Series A0	

MDG26CSAAW - 03 - CS CONTROL PANEL



Ref #	Part #	Description	Qty	Context	Note	MSRP
1	212276	SCREW	4	Series	A0	
2	Y314322	SCREW, No.8-32 X 3/8 INCH	1	Series	A0	
3	307237	SWITCH, CYCLE SELECTOR	1	Series	A0	
4	204075	INDICATOR LAMP	1	Series	A0	
5	215003	FASTENER	2	Series	A0	
6	306940	SWITCH, PUSH-TO-START	1	Series	A0	
7	314912	BACK-UP PLATE (WHT)	1	Series	A0	
7	NLA	(ALM)	-	Series	A0	
8	215564	LENS, INDICATOR (AMBER)	1	Series	A0	
9	212277	SCREW, No.8 X 1/2 INCH	2	Series	A0	
10	Y312702	KNURLED NUT	1	Series	A0	
11	Y312706	HEX NUT ON SWITCH	1	Series	A0	
12	312751	LOCK WASHER	1	Series	A0	
13	306938	KNOB, SELECTOR SWITCH	1	Series	A0	
14	Y313588	SCREW	1	Series	A0	
15	307105	TOP COVER ASSY. (WHT)	1	Series	A0	
15	NLA	(ALM)	-	Series	A0	
16	NLA	CONTROL PANEL	1	Series	A0	
17	211252	SCREW	1	Series	A0	
18	205810	WIRE, GROUND	1	Series	A0	
19	NLA	CONTROL COVER (WHT)	1	Series	A0	
20	Y307175	WIRE HARNESS, MAIN	1	Series	A0	
20	NLA	WIRE HARNESS	1	Series	A2	

MDG26CSAAW - 04 - CS CONTROL CENTER



Ref #	Part #	Description	Qty	Context	Note	MSRP
1	203188	DOOR, ACCESS (WHT)	1	Series	A0	
1	203188L	(ALM)	-	Series	A0	
1	203188M	(H. WHEAT)	-	Series	A0	
2	213750	LOCKING CAM	1	Series	A0	
3	211168	SCREW, No.8 X 5/16 INCH	1	Series	A0	
4	314335	TIME ADJUSTMENT PEG	1	Series	A0	
5	314331	RETURN SPRING	1	Series	A0	
6	Y312270	E CLIP	1	Series	A0	
7	211065	SPRING, TIMER KNOB	1	Series	A0	
8	314337	SLIDER	1	Series	A0	
9	211790	LOCK RING, TIMER SHAFT	1	Series	A0	
10	306104	TORSION-TIMER KIT	1	Series	A0	
11	NLA	HELICAL SPRING ----N	1	Series	A0	
12	314337	SLIDER	1	Series	A0	
13	Y052721	NUT	1	Series	A0	
14	910387	LOCK WASHER	1	Series	A0	
15	Y052634	HEX. NUT, No.6-32	1	Series	A0	
16	215559	BOLT, LOCKING	1	Series	A0	
17	314339	SWITCH & SLIDER BRACKET	1	Series	A0	
18	314332	ACTUATOR SPRING	1	Series	A0	
19	305798	BYPASS SWITCH, MOTOR	1	Series	A0	
20	Y305799	BYPASS SWITCH, HEATER	1	Series	A0	
21	910708	SCREW, RELAY (TUB SUPPORT)	2	Series	A0	
22	NLA	SCREW	2	Series	A0	
23	314333	TIMER MOUNTING BRACKET	1	Series	A0	
24	NLA	INSTRUCTION LABEL	1	Series	A0	
25	305796	TIMER	1	Series	A0	
26	305813	TIMER (CANADA) PART NOT USED	-	Series	A0	
27	305800	WIRE HARNESS, TIMER	1	Series	A0	
28	305870	TIMER MOTOR RPR	1	Series	A0	
29	305797	TORSION TIMER ASSY. COMPLETE	1	Series	A0	
30	212707	SCREW	2	Series	A0	
31	314334	BRACKET, COIN SLIDE	1	Series	A0	
32	206956	COIN METER ASSY (WHT)	1	Series	A0	
32	206956L	(ALM)	-	Series	A0	
32	206956M	(H. WHEAT)	-	Series	A0	
33	214660	GASKET, METER CASE	1	Series	A0	
34	NLA	STOP, TIMER MECHANISM	1	Series	A0	
35	NLA	MTG. STRAP----NA	1	Series	A0	

Ref #	Part #	Description	Qty	Context	Note	MSRP
36	910309	WASHER	1	Series A0		
37	211294	SCREW	1	Series A0		
38	205423	COIN BOX (WHT)	1	Series A0		
38	205423L	(ALM)	-	Series A0		
38	205423M	(H. WHEAT)	-	Series A0		
39	212328	NUT, HEX	1	Series A0		
40	Y052740	NUT	1	Series A0		
41	214648	COINAGE DECAL	1	Series A0		
42	314547	ADJUSTMENT RETURN STOP	2	Series A0		
43	314546	INDEX WHEEL	1	Series A0		
44	314548	ACTUATOR, SWITCH	1	Series A0		

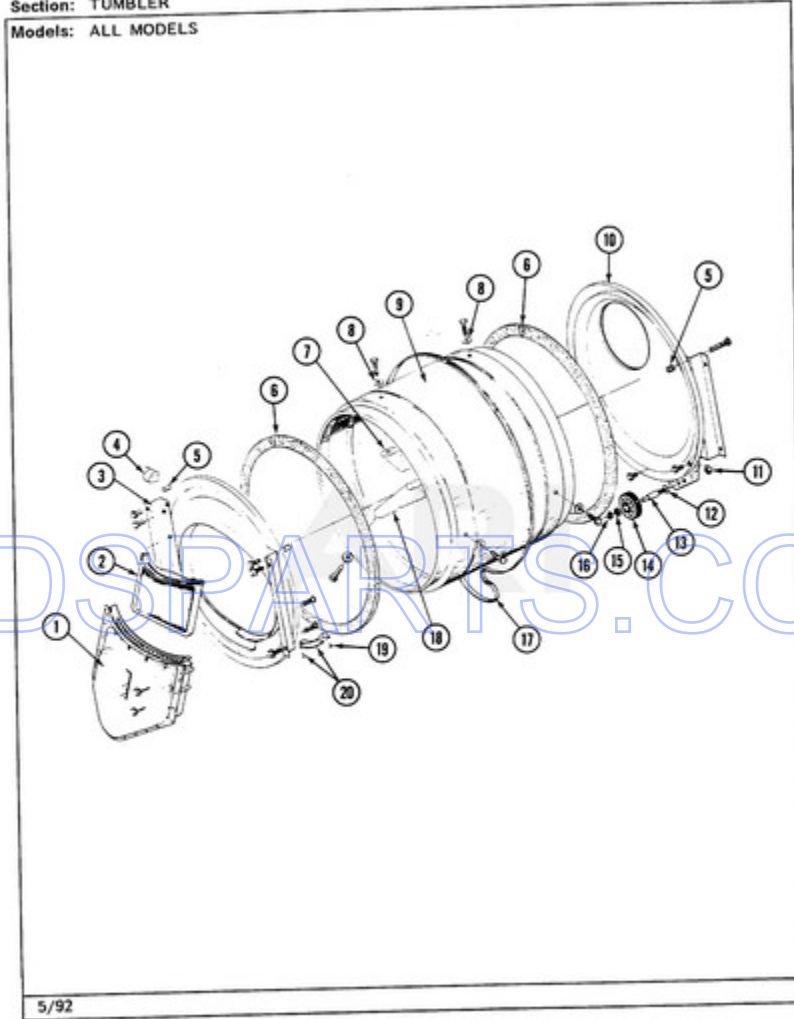
BDSPARTS.COM

Ref #	Part #	Description	Qty	Context	Note	MSRP
1	Y313340	LABEL, LINT SCREEN INSTR.	1	Series A0		
2	314941	LABEL, INSTRUCTION	1	Series A0		
3	314942	PART NOT USED				
3	NLA	INSTRUCTION LABEL	-	Series A0		
4	307099	HINGE	2	Series A0		
4	Y314062	SCREW	8	Series A0		
5	312960	SCREW - INLET DUCT	1	Series A0		
5	314946	HANDLE (WHT)	1	Series A0		
5	314972	(ALM)	-	Series A0		
5	NLA	(H. WHEAT)	-	Series A0		
6	NLA	(ALM)	-	Series A0		
6	Y307111	DOOR ASSY. COMPLETE (WHT)	1	Series A0		
7	314966	PANEL, OUTER (WHT)	1	Series A0		
7	NLA	(ALM)	-	Series A0		
8	306436	DOOR LATCH KIT--W	1	Series A0		
9	212982	FASTENER, PANEL	2	Series A0		
10	Y310376	CLIP, WIRE HARNESS	1	Series A0		
11	Y305753	SWITCH, DOOR	1	Series A0		
12	314937	SEAL, FRONT PANEL	1	Series A0		
13	Y313907	TWIN FASTENER	2	Series A0		
14	204439	SCREW & FSTNER ASSY (FT.PNL)	1	Series A0		
14	307998L	(ALM)	-	Series A0		
14	NLA	FRONT PANEL (WHT)	1	Series A0		
15	212949	SCREW	4	Series A0		
15	NLA	BUSHING, ACCESS STUD	1	Series A0		
16	312369	SLEEVE, ACCESS PANEL STUD	2	Series A0		
17	NLA	ACCESS DOOR (WHT)	1	Series A0		
18	314936	DOOR STRIKE	1	Series A0		
18	314944	STRIKE PLATE	1	Series A0		
19	314935	DOOR SEAL	1	Series A0		
20	307098	DOOR, INNER (W/SEAL)	1	Series A0		
21	Y313910	CLIP, DOOR LINER (OUTER PNL)	9	Series A0		

MDG26CSAAW - 06 - TUMBLER

Section: TUMBLER
Models: ALL MODELS

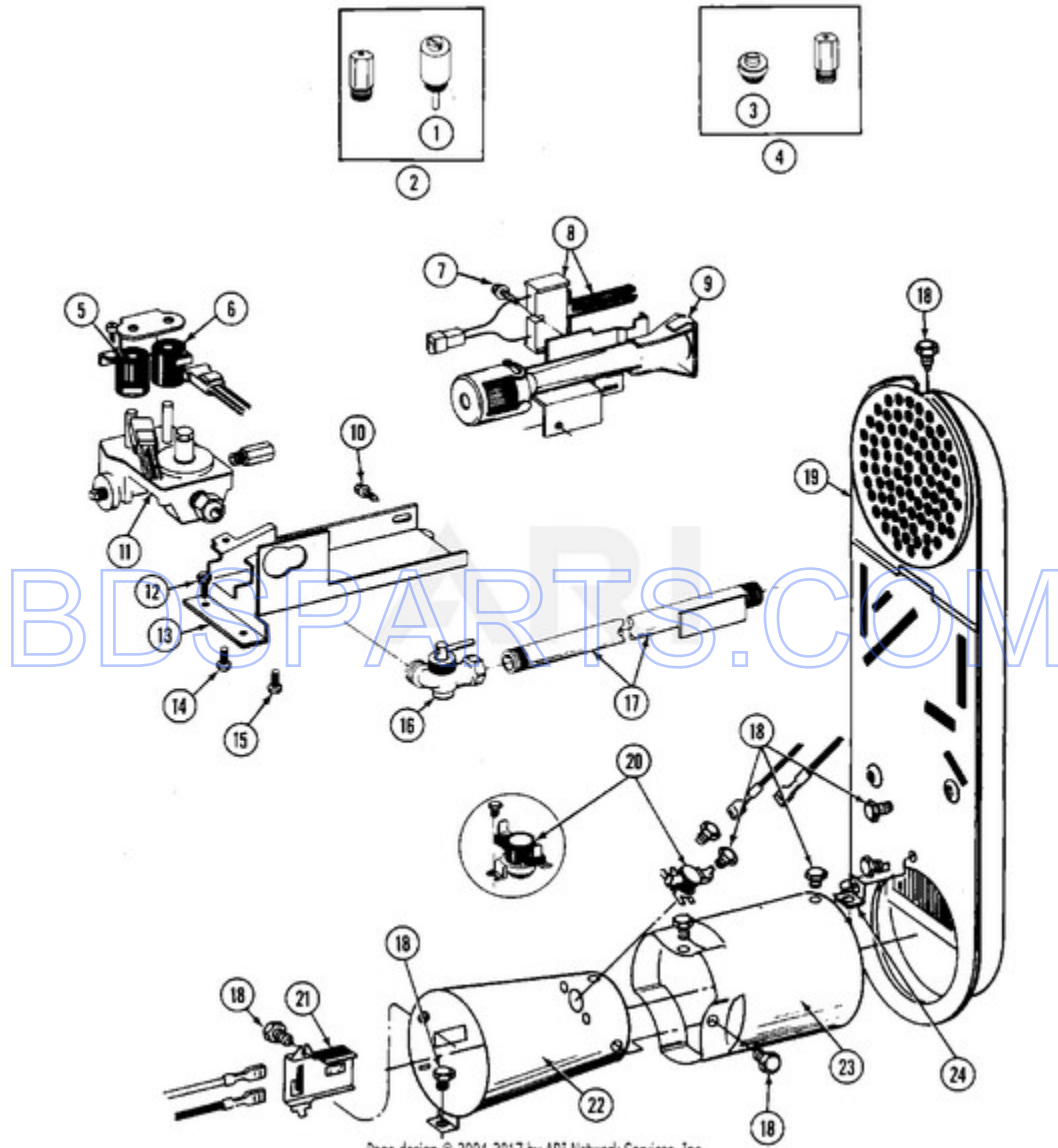
P/N 16000340



5/92

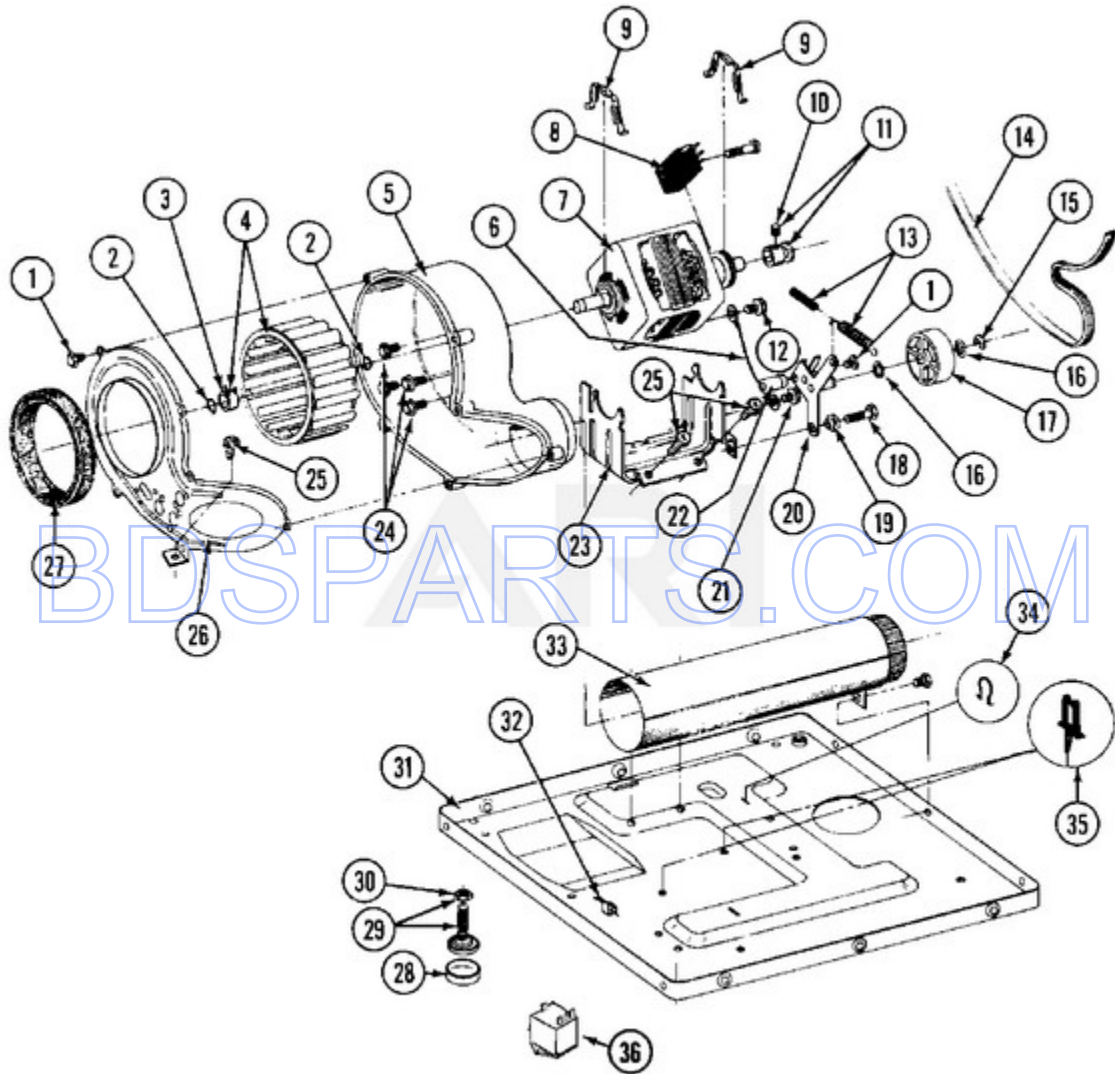
Ref #	Part #	Description	Qty	Context Note	MSRP
1	Y307112	DUCT, OUTLET ASSY. ----S	1	Series A0	
1	Y314110	SCREW, INLET DUCT ----S	4	Series A0	
2	307108	SCREEN, LINT	1	Series A0	
3	307109	FRONT, TUMBLER (W/SEAL)	1	Series A0	
3	Y313561	SCREW----NA	1	Series A0	
3	NLA	SCREW	4	Series A0	
3	Y310632	SCREW	3	Series A0	
4	Y310376	CLIP, WIRE HARNESS	1	Series A0	
5	NLA	COVER, THREAD	4	Series A0	
6	314820	SEAL, TUMBLER	2	Series A0	
7	314803	BAFFLE (SHORT)	1	Series A0	
7	Y310759	SCREW	6	Series A0	
8	314158	WASHER	6	Series A0	
9	306663	TUMBLER W/BAFFLES	1	Series A0	
9	314802	TUMBLER W/OUT BAFFLES	1	Series A0	
10	211294	SCREW	3	Series A0	
10	Y307114	BACK, TUMBLER (W/SEAL) ---S	1	Series A0	
10	Y308544	BACK, TUMBLER (W/SEAL) ---S	1	Series A5	
11	312538	NUT, ROLLER SHAFT	2	Series A0	
12	Y313347	WASHER,SPRING(ROLLER SHAFT)--S	2	Series A0	
13	Y312948	SHAFT, TUMBLER ROLLER----C	2	Series A0	
14	Y303373	BEARING & ROLLER ASSEMBLY	2	Series A0	
15	312535	WASHER, ROLLER SHAFT	2	Series A0	
16	410233	RING, RETAINING	4	Series A0	
17	Y312959	BELT, TUMBLER & MOTOR	1	Series A0	
18	314804	BAFFLE (TALL)	2	Series A0	
18	Y310759	SCREW	6	Series A0	
19	210720	RIVET	4	Series A0	
20	306508	TUMBLER BEARING KIT ----W	2	Series A0	

MDG26CSAAW - 07 - GAS VALVE



Ref #	Part #	Description	Qty	Context	Note	MSRP
1	306184	PLUG, BLOCKING (LP REGULATOR)	1	Series	A0	
2	Y308378	CONVERSION KIT (NAT TO LP)	1	Series	A2	
3	314602	LEAK LIMITER (LP)	1	Series	A0	
4	Y308377	CONVERSION KIT (LP TO NAT.)	1	Series	A2	
5	306106	COIL, HOLDING & BOOSTER--W	1	Series	A0	
6	306105	COIL, SECONDARY--W	1	Series	A0	
7	304971	SCREW	1	Series	A0	
8	304970	IGNITER ASSY, GAS VALVE	1	Series	A0	
9	304974	BURNER ASSEMBLY	1	Series	A2	
10	Y310632	SCREW	1	Series	A2	
11	308345	VALVE, GAS	1	Series	A2	
12	Y313561	SCREW----NA	1	Series	A0	
13	314566	BRACKET, GAS VALVE	1	Series	A2	
14	314082	SCREW	1	Series	A2	
15	Y313559	SCREW	1	Series	A0	
16	Y303349	SHUT-OFF, GAS VALVE	1	Series	A0	
17	Y303383	PIPE & BRACKET ASSY.	1	Series	A0	
18	211294	SCREW	11	Series	A0	
19	307119	INLET DUCT ASSY.	1	Series	A0	
19	Y308504	INLET DUCT ASSY.	1	Series	A5	
20	305169	THERMOSTAT, HI-LIMIT GAS	1	Series	A0	
21	Y303377	SENSOR, RADIANT	1	Series	A0	
22	Y303368	CONE, COMBUSTION	1	Series	A0	
22	Y308548	CONE, COMBUSTION	1	Series	A5	
23	Y303841	CONE, EXTENSION (COMBUSTION)	1	Series	A0	
24	Y312890	RETAINER, HEATER CHAMBER	1	Series	A0	

MDG26CSAAW - 08 - MOTOR DRIVE, BLOWER & BASE FRAME



Ref #	Part #	Description	Qty	Context Note	MSRP
1	Y312961	SCREW	6	Series A0	
2	410233	RING, RETAINING	2	Series A0	
3	312967	CLAMP, BLOWER HOUSING	1	Series A0	
4	Y303836	BLOWER WHEEL ASSEMBLY & CLAMP	1	Series A0	
5	Y312893	HOUSING, BLOWER	1	Series A0	
6	901220	WIRE, GROUND	1	Series A0	
7	Y303358	MOTOR	1	Series A0	
8	NLA	SWITCH, MOTOR START-PROD.	1	Series A0	
8	Y303877	SWITCH, MOTOR	1	Series A0	
8	Y303879	SWITCH, MOTOR STARTPROD.	1	Series A0	
9	Y015825	CLIP, MOTOR	2	Series A0	
10	Y053241	SET SCREW, PULLEY	1	Series A0	
11	Y305185	PULLEY, MOTOR (W/SET SCREW)	1	Series A0	
12	910343	SCREW, GROUND WIRE	1	Series A0	
13	Y303945	IDLER SPRING ASSEMBLY	1	Series A0	
14	Y312959	BELT, TUMBLER & MOTOR	1	Series A0	
15	312958	RETAINING RING, IDLER SHAFT	2	Series A0	
16	Y312527	WASHER, IDLER SHAFT (QTY-1)	2	Series A0	
17	Y303705	PULLEY, IDLER	1	Series A0	
18	Y014874	SCREW	1	Series A0	
19	Y312894	SLEEVE, IDLER ARM ----S	1	Series A0	
20	Y303363	IDLER ARM & SHAFT ASSY.	1	Series A0	
21	211294	SCREW	1	Series A0	
22	Y313582	SPACER, IDLER BRACKET	1	Series A0	
23	NLA	SUPPORT, MOTOR	1	Series A0	
24	Y310632	SCREW	5	Series A0	
25	Y313561	SCREW----NA	3	Series A0	
26	314778	COVER, BLOWER	1	Series A0	
27	Y312901	SEAL, BLOWER	1	Series A0	
28	210684	FOOT, RUBBER	4	Series A0	
29	Y302699	LEG, ADJUSTABLE (W/NUT)---S	4	Series A0	
30	210385	NUT, LOCK	4	Series A0	
31	Y303361	BASE ASSY.	1	Series A0	
32	Y310376	CLIP, WIRE HARNESS	1	Series A0	
33	Y303442	EXHAUST DUCT ASSY.	1	Series A0	
34	410490	SPRING, WIRE HARNESS	1	Series A0	
35	Y313262	RETAINER, WIRE HARNESS	3	Series A0	
36	306199	PART NOT USED	-	Series A0	

MDG26CSAAW - 09 - THERMOSTATS

Section: THERMOSTATS

P/N 16000340

Models: ALL MODELS



Used On: All
DE & DG Models

①



Used On:
DE-DG26CD

②



Used On:
DE-DG26CA-CT

③



Used On:
DG26CA-CT

④



Used On:
DE26CA-CT

⑤



Used On:
DE Models

⑥

BDSPARTS.COM

5/92

Ref #	Part #	Description	Qty	Context	Note	MSRP
1	211294	SCREW	2	Series A0		
1	303392	CYCLING THERMOSTAT 140 DEG	1	Series A0		
2	211294	SCREW PART NOT USED. MDE/G26PC ONLY.	-	Series A0		
2	306056	THERMISTOR TEMP. CONTROL PART NOT USED. MDE/G26PC ONLY.	-	Series A0		
3	306604	CUT-OFF, THERMAL PART NOT USED. (MDE/G26CT-MN)	-	Series A0		
3	314848	PART NOT USED. (MDE/G26CT-MN)	-			
3	NLA	SCREW	-	Series A0		
4	211294	SCREW PART NOT USED. MDG26CT-MN ONLY	-	Series A0		
4	306966	THERMOSTAT, MULTI-TEMP PART NOT USED. MDG26CT-MN ONLY	-	Series A0		
5	211294	SCREW PART NOT USED. MDE26CT-MN ONLY	-	Series A0		
5	306967	THERMOSTAT, MULTI-TEMP PART NOT USED. MDE26CT-MN ONLY	-	Series A0		
6	315122	COVER, THERMOSTAT PART NOT USED (MDE ONLY)	-	Series A0		
6	Y310632	SCREW PART NOT USED. (MDE ONLY)	-	Series A0		