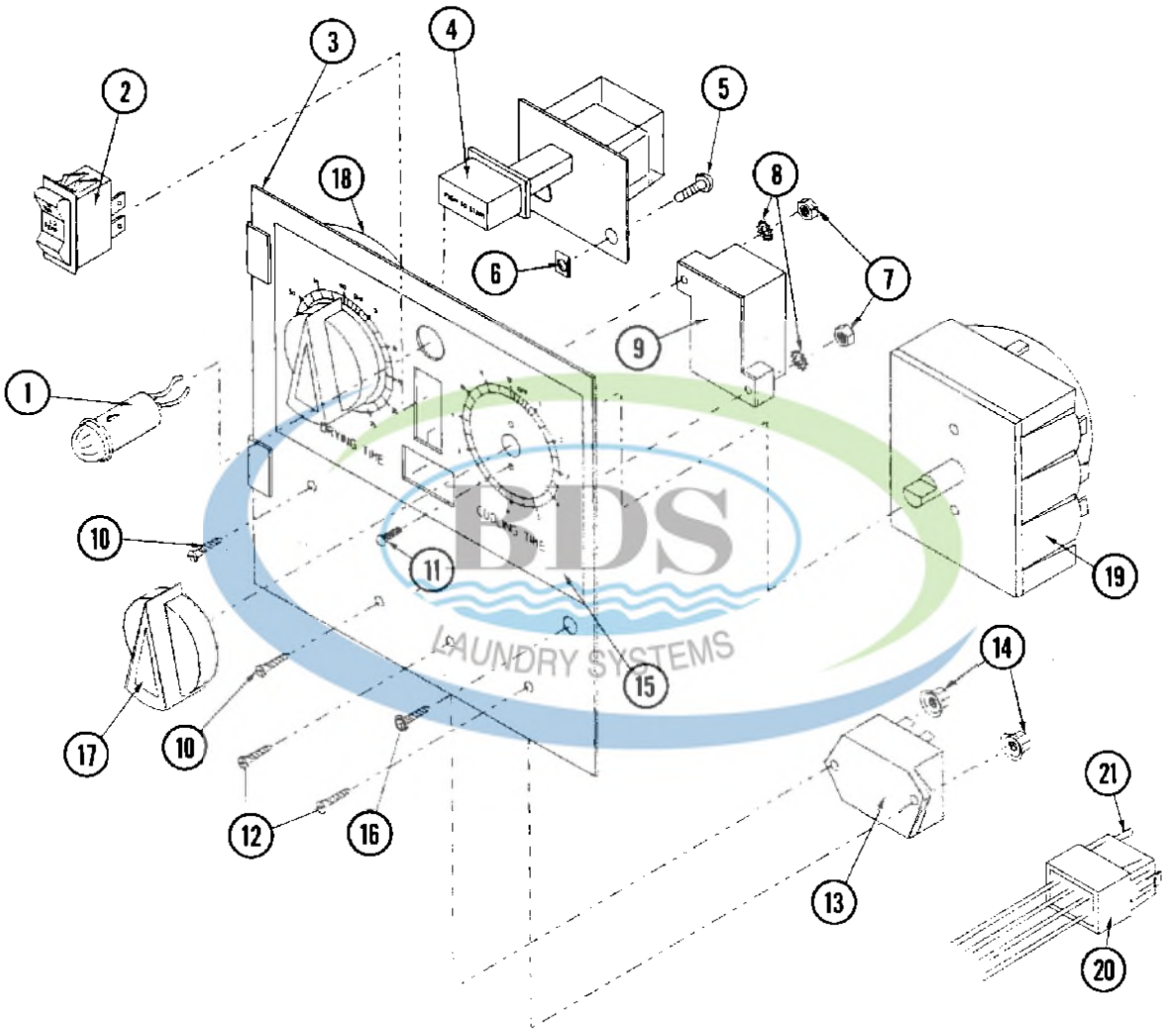


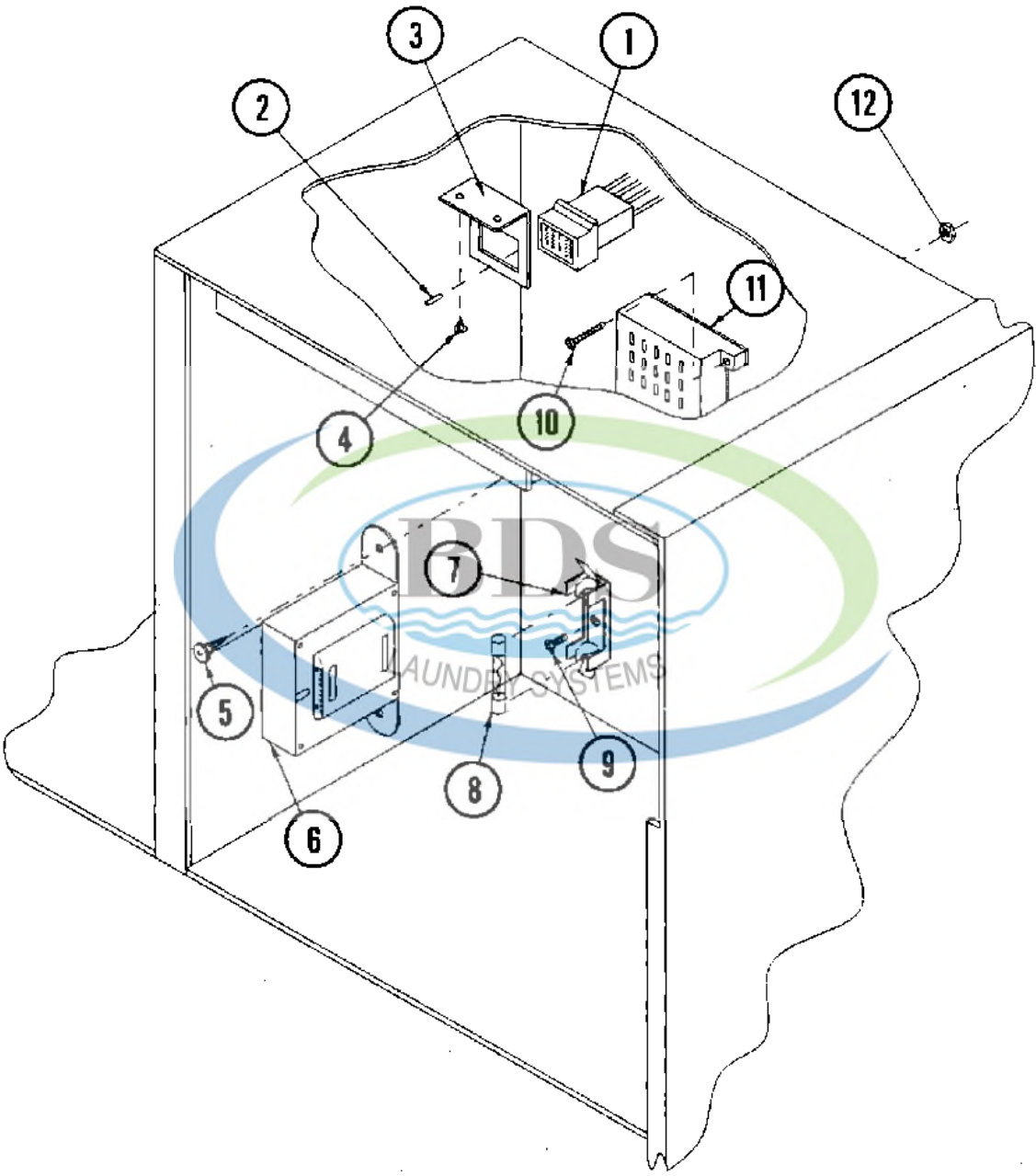
Ref #	Part Number	Qty.	Description
1	160017	1	LOCK, SPECIAL DUMMY
2	160032	1	CAM, LOCK
3	112343	1	LOGO, MAYTAG (ONLY)
3	870011	1	TAPE KIT (DOUBLE SIDED)
4	800023	1	DOOR ASSY, CONTROL (INCL ITEM No.'S 4 THRU 7)
5	180201	1	TRIM STRIP, TOP W/ LOCK HOLE
6	117603	3	TAPE, SUPPRESSOR
7	150201	6	SCREW, MACHINE (No.10-32 X 1/4")
8	150300	4	SCREW (No.10-32 X 1/2" PH ROUND
9	102603	1	CATCH, ROD SUPPORT-CTRL. DOOR
10	102601	1	CLIP, ROD RETAINER-CTRL. DOOR
11	102502	1	ROD, SUPPORT (CONTROL DOOR)





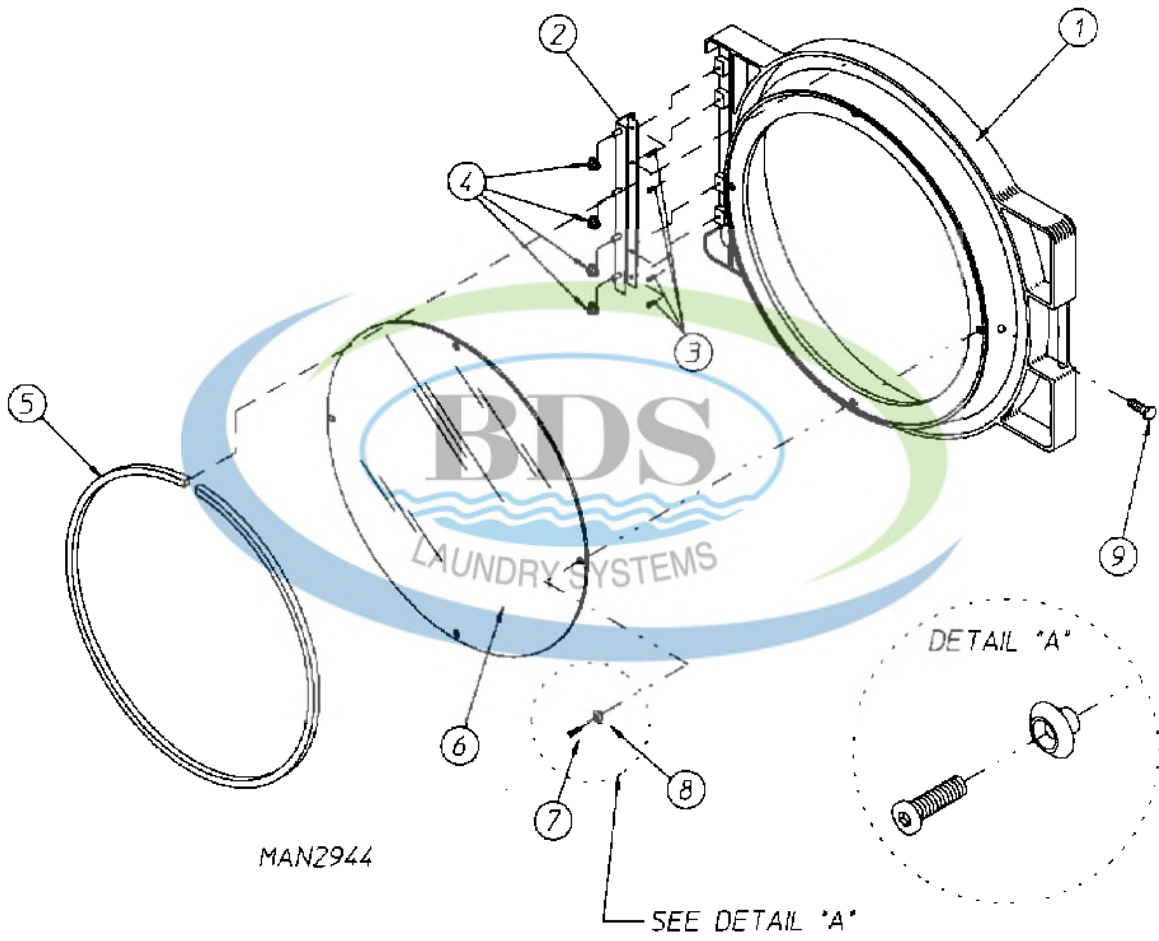
Ref #	Part Number	Qty.	Description
1	123005	1	LIGHT, INDICATOR RED (24V)
2	122400	1	SWITCH, HEAT SELECTOR ROCKER
3	800051	1	PANEL, CONTROL
3	824015	1	CONTROL PANEL ASSEMBLY (INCL. ITEMS No.1 THRU No.23)
4	131917	1	RELAY, PUSH TO START (24V)
5	150207	1	SCREW, MACHINE (No.10-24X1/2" RND)
6	154001	2	NUT, SPEED (No.10-24)
7	152000	2	NUT, HEX (No.6-32)
8	153010	2	WASHER, STAR (No.6)
9	120730	1	BLOCK, TERMINAL (30 POS)
10	150002	2	SCREW, MACHINE (RD.HD.)
11	150110	4	SCREW (No.8-32 X 1/4")
12	150001	2	SCREW, MACHINE (No.6-32 X 1/2")
13	131931	1	RELAY - 24VAC
14	151000	2	PAL NUT (No.6-32)
15	112050	1	LABEL (DUAL TIMER)
16	150309	1	SCREW, CRIMPTITE
17	124103	2	KNOB, TIMER
18	124025	1	TIMER (60 MIN)
18	824288	1	TIMER
19	124030	1	TIMER (15 MIN)
20	122602	1	CONNECTOR ONLY (9-PIN)
21	122700	8	TERMINAL, PIN
22	122801	1	TOOL, EXTRACTION (PIN/SOCKET)





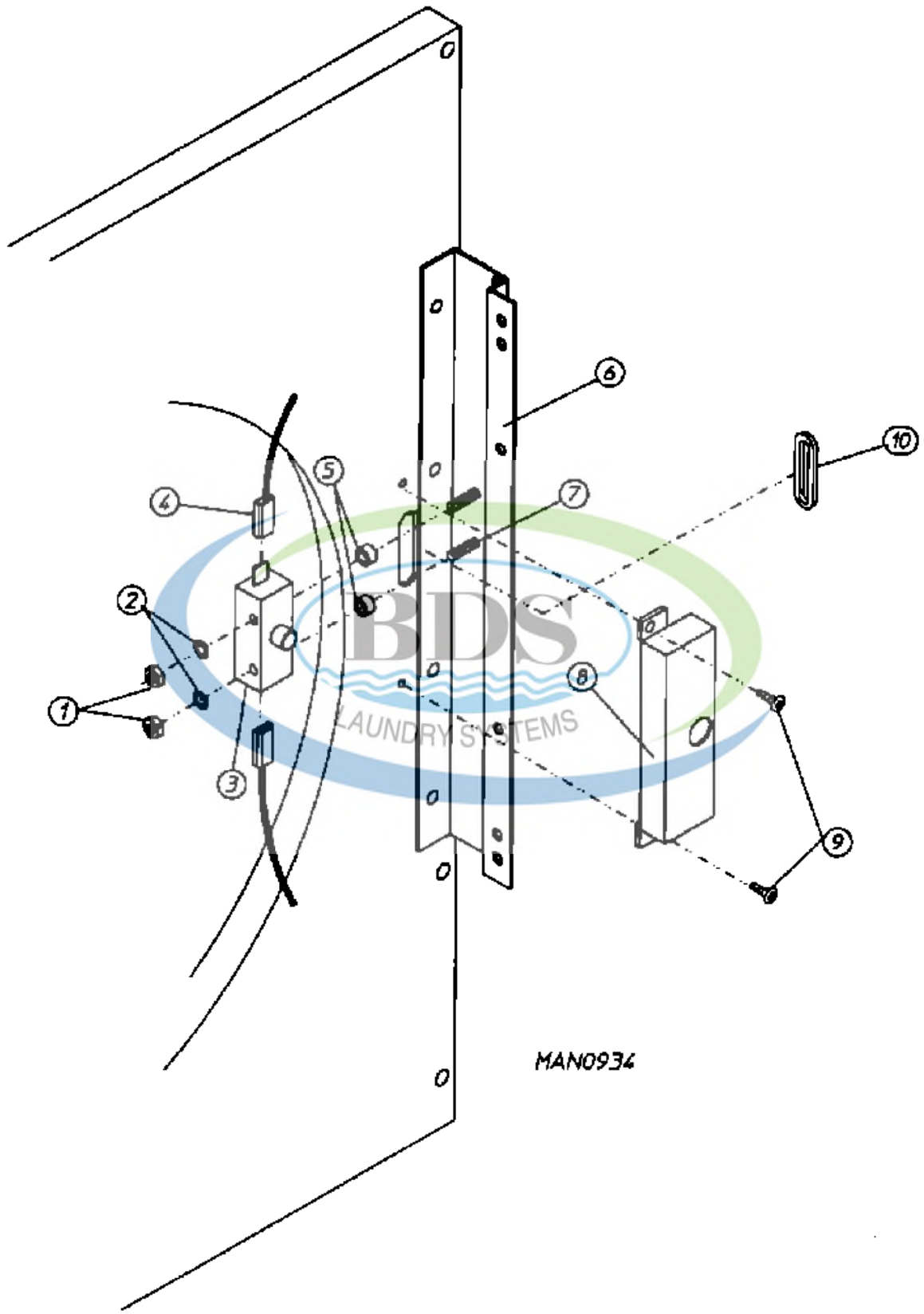
Ref #	Part Number	Qty.	Description
1	122603	1	CONNECTOR, (9-PIN SOCKET)
2	122701	8	TERMINAL, SOCKET (ONLY)
2	122801	1	TOOL, EXTRACTION (PIN/SOCKET)
3	315010	1	BRACKET (9-PIN CONNECTOR)
4	150300	2	SCREW (No.10-32 X 1/2" PH ROUND)
5	150300	2	SCREW (No.10-32 X 1/2" PH ROUND)
6	141403	1	TRANSFORMER (DSI 24 VAC)
7	136008	-	STRIP, FUSE BLOCK (ONLY) (AS REQUIRED)
8	136057	-	FUSE, 1/2-AMP SLO-BLO (AS REQUIRED)
9	150301	-	SCREW, TEK (No.8-18 X 7/16 PH (AS REQUIRED)
10	150002	2	SCREW, MACHINE (RD.HD.)
11	120715	1	BLOCK, TERMINAL (30-POSITION)
12	151000	2	PAL NUT (No.6-32)





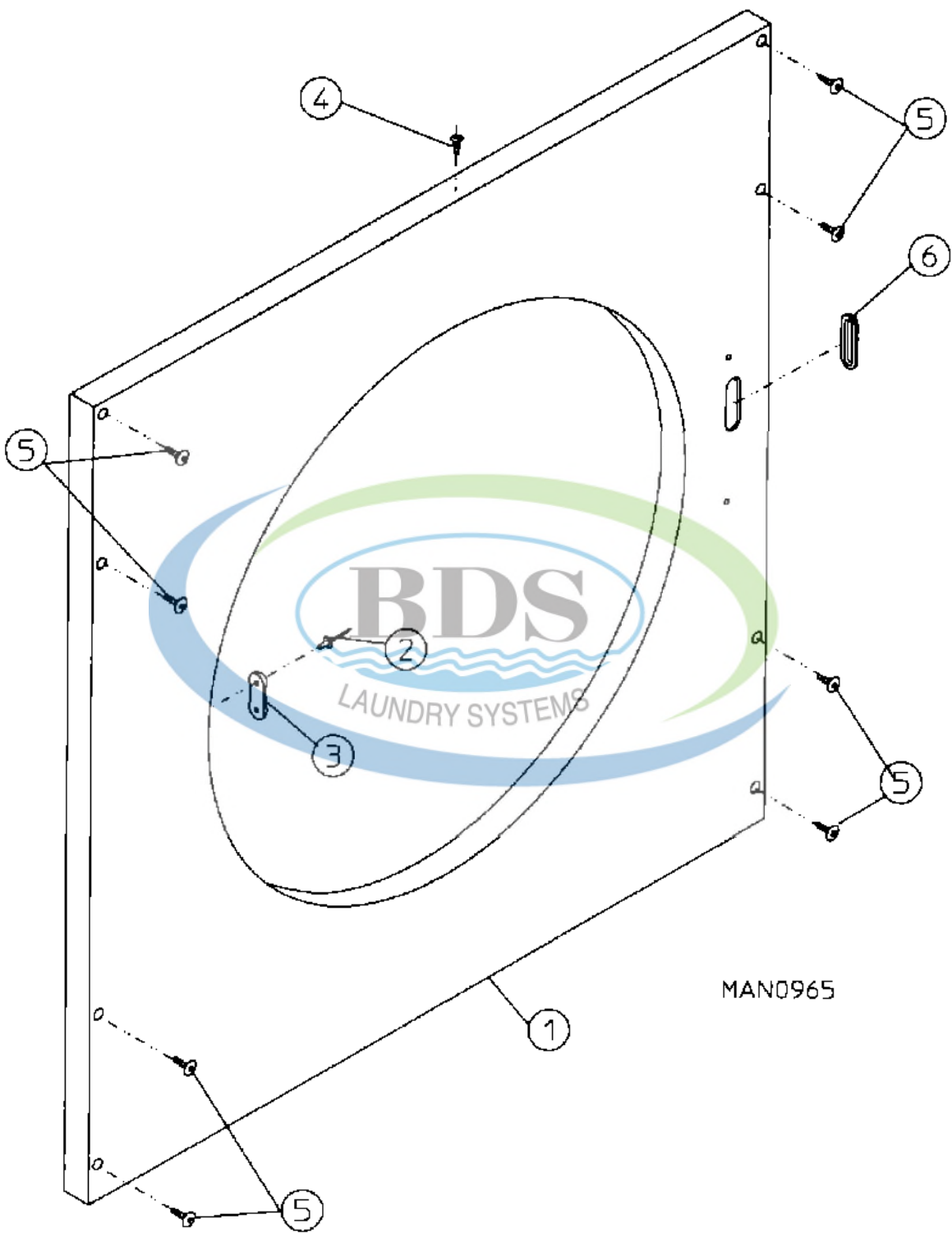
Ref #	Part Number	Qty.	Description
1	881421	1	DOOR ASSEMBLY COMPLETE (GRAY) (INCL ITEM No.'S 1 &...
1	881422	1	DOOR ASSEMBLY COMPLETE (BLK) (INCL ITEM No.'S 1 & 5...
2	800448	1	HINGE, MAIN DOOR (12 1/2``)
3	150410	4	SCREW (No.10-24 X 3/8`` PH HD)
4	152014	4	NUT, FREE SPIN WASH (No.20-1/4)
5	102349	1	GASKET, DOOR
6	102212	1	GLASS, DOOR (20-7/16``)
6	170730	1	ADHESIVE, DOOR GLASS (10.3 OZ)
7	150448	4	SCREW, S.S. (1/2``)
8	170319	4	SPACER, DOOR GLASS
9	150431	1	SCREW (No.10 X 7/16`` DOME HD)





Ref #	Part Number	Qty.	Description
1	152013	2	NUT, HEX (No.6-32)
2	153008	2	WASHER, SPLIT LOCK (No.6)
3	137005	1	SWITCH, DOOR (SINGLE POLE)
4	121028	2	TERMINAL, 1/4" INSUL. (FEMALE)
5	154281	2	SPACER, NYLON (3/8")
6	800448	1	HINGE, MAIN DOOR (12 1/2")
7	153565	2	STUD, SELF-CLINCHING (No.6-32X1)
8	313218	1	HOUSING, MAIN DOOR SWITCH
9	150201	2	SCREW, MACHINE (No.10-32 X 1/4")
10	121405	1	GROMMET, RUBBER

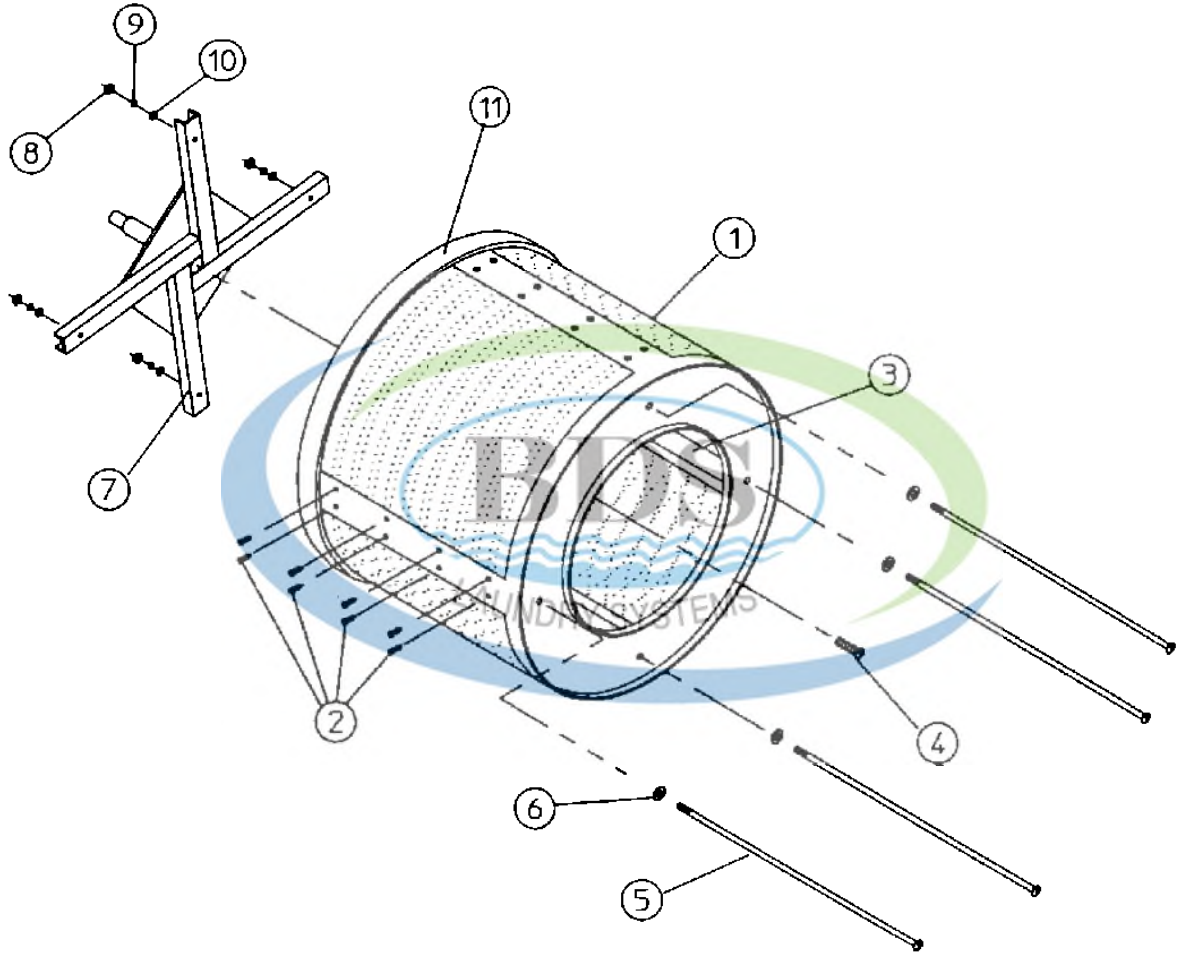




MAN0965

Ref #	Part Number	Qty.	Description
1	875300	1	PANEL ASSEMBLY (SPECIFY COLOR)
2	154215	2	RIVET, POP (5/32``)
3	170330	1	LATCH, DOOR (FRICTION)
4	150300	1	SCREW (No.10-32 X 1/2`` PH ROUND
5	150309	8	SCREW, CRIMPTITE
6	121405	1	GROMMET, RUBBER

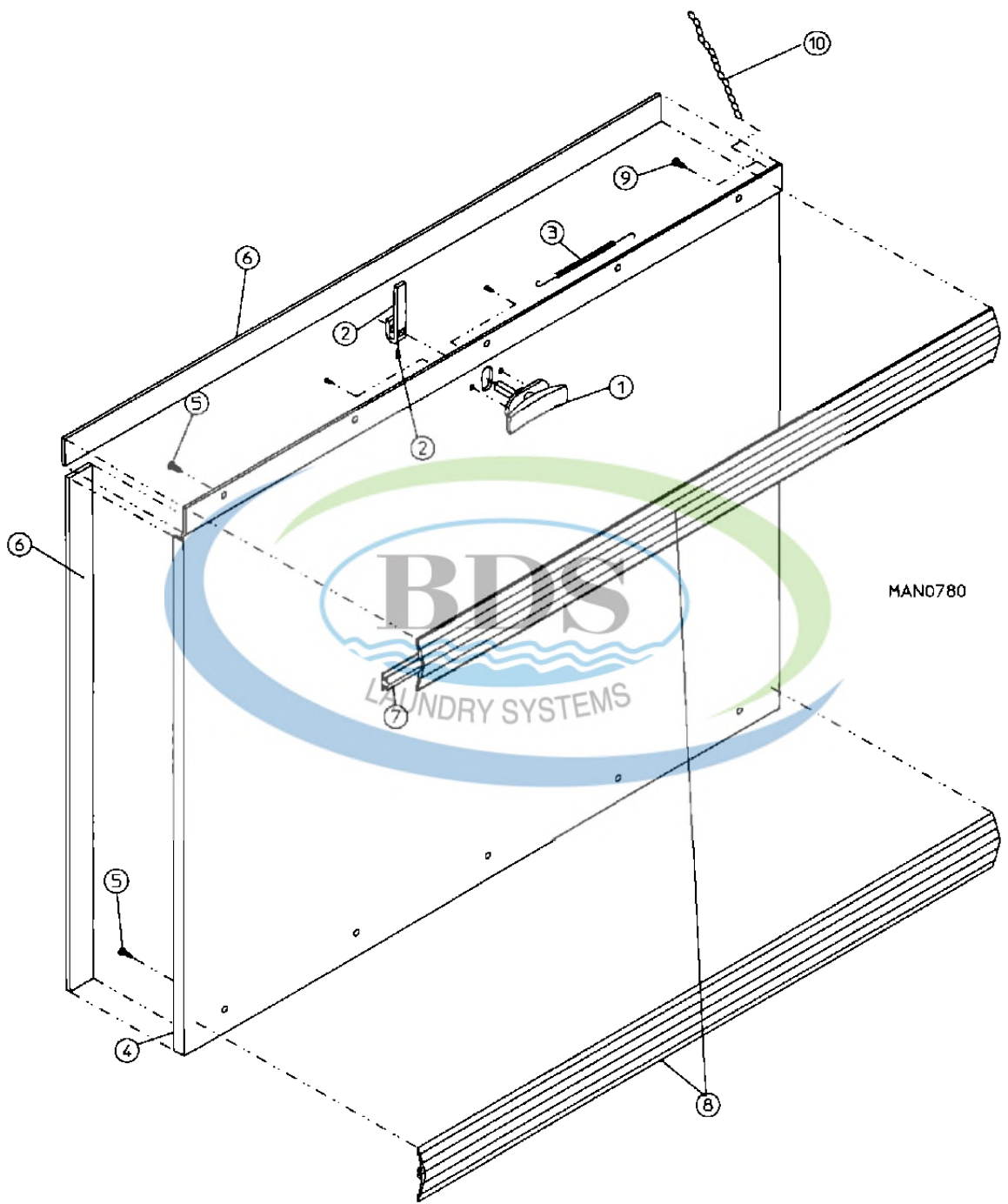




MAN0309

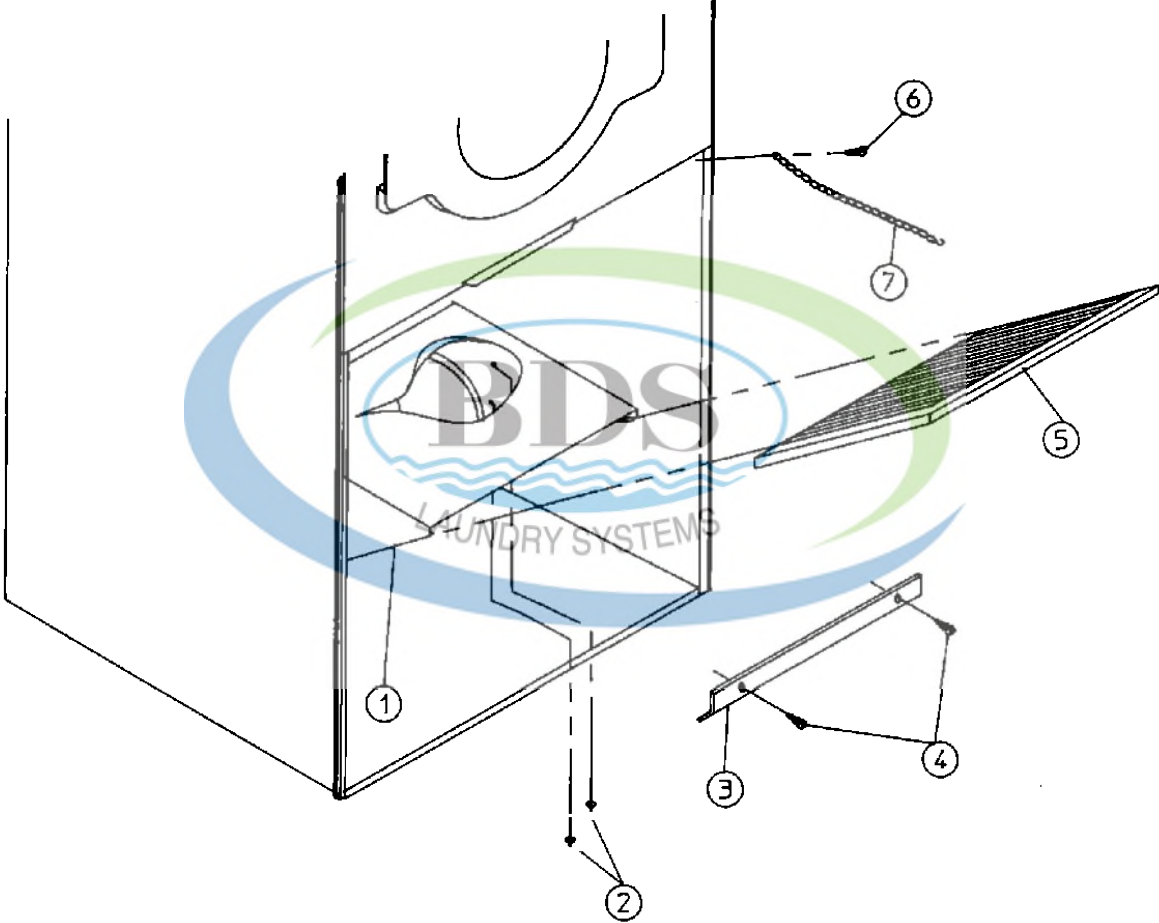
Ref #	Part Number	Qty.	Description
1	800703	1	TUMBLER W/O FELT COLLAR
1	800803	1	TUMBLER & SUPPORT ASSY
2	150415	40	SCREW, CRIMPTITE (PH. RD.HD.)
3	301304	4	RIB, TUMBLER
4	150518	1	SCREW, SOCKET HEAD
5	100902	4	ROD, TIE (No.18-5/16" X 31")
6	153001	4	WASHER, FLAT (5/16")
7	800603	1	SUPPORT, TUMBLER
8	152004	4	NUT, HEX (No.18-5/16)
9	153002	4	WASHER, LOCK (5/16")
10	153001	4	WASHER, FLAT (5/16")
11	116002	1	COLLAR, FELT
11	401010	1	ADHESIVE, FELT COLLAR No.847





Ref #	Part Number	Qty.	Description
1	160003	1	DUMMY LOCK (NON COIN)
1	160104	1	KEY, LOCK (MK-100/MASTER KEY)
1	800150	1	KNOB LATCH KIT ASSY.
2	150425	1	MACHINE SCREW (No.12-24 X 3/8``)
2	160009	1	KNOB LATCH ADJUSTABLE CAM
3	157000	1	DROP LINT DOOR SPRING
4	800216	1	LINT DOOR ASY. (NON-INSULATED)
4	800233	1	LINT DOOR ASY. (INSULATED)
5	150201	30	SCREW, MACHINE (No.10-32 X 1/4``)
6	117604	7	TAPE, FOAM (SOLD IN FEET)
7	117603	3	TAPE, SUPPRESSOR
8	180210	2	TRIM/KICKPLATE
9	150418	1	TOOL, HAND DRIVER
9	150419	2	SCREW, TEK (No.6 X 1/2``)
10	108120	1	CHAIN, LINT DOOR (10 1/2``)



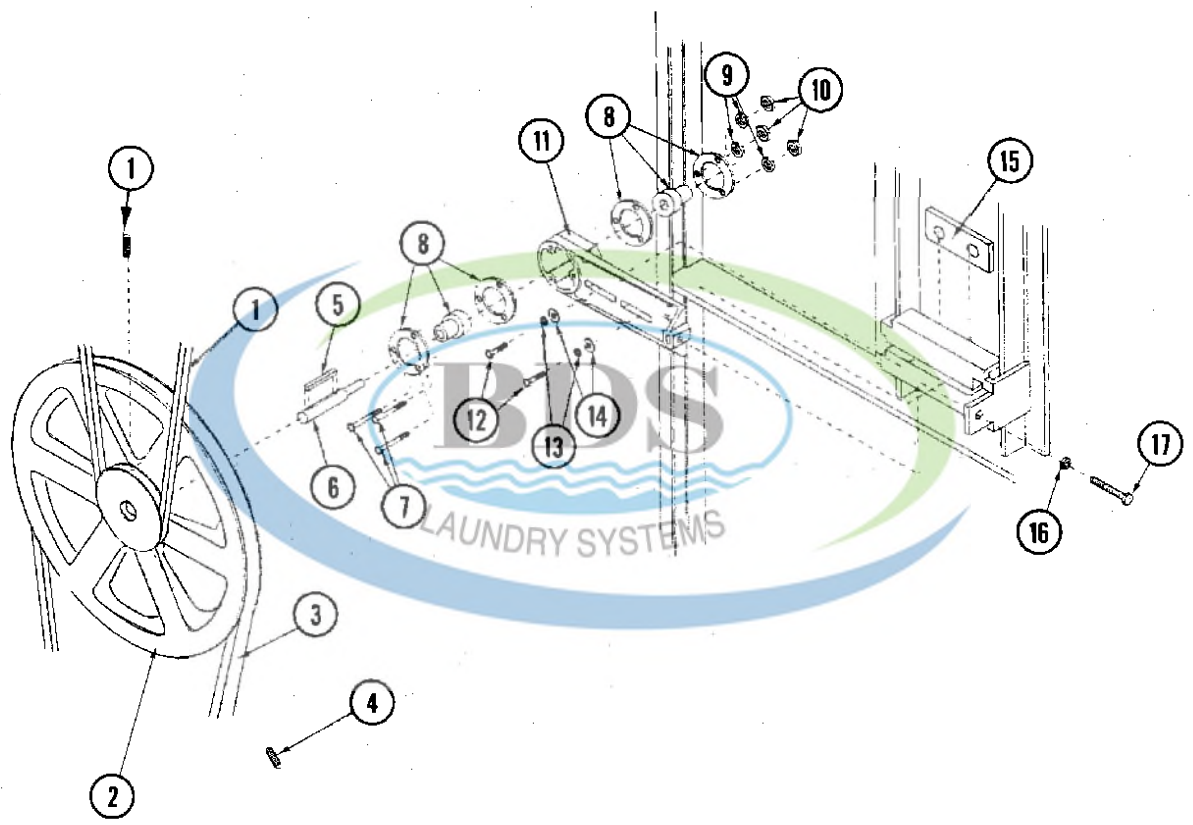


Ref #	Part Number	Qty.	Description
1	800408	1	LINT TRAP ASSEMBLY (INCL ITEM No.'S 1,3,4 & 5)
1	800409	1	LINT TRAP ONLY
2	154200	7	POP RIVET (5/32``)
3	304101	1	LINT SCREEN HOLDER
4	150300	3	SCREW (No.10-32 X 1/2`` PH ROUND
5	800503	1	LINT SCREEN
6	150418	1	TOOL, HAND DRIVER
6	150419	2	SCREW, TEK (No.6 X 1/2``)
7	108120	1	CHAIN, LINT DOOR (10 1/2``)



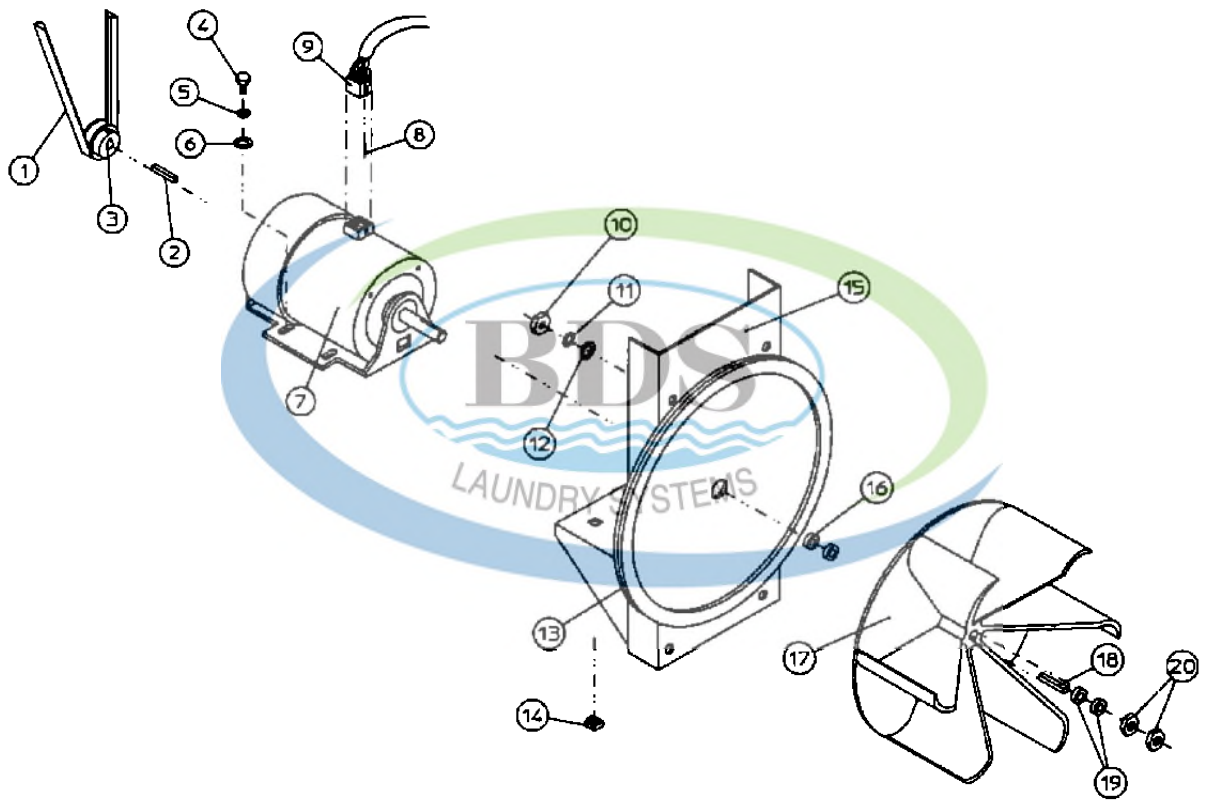
Ref #	Part Number	Qty.	Description
1	880203	1	BEARING, FLANGE ()
2	153025	4	LOCK WASHER (9/16``)
3	152050	4	HEX NUT (No.9/16-12)
4	801761	1	HOUSING, BEARING
4	801775	1	PILLOW BLOCK BEARING ASSEMBLY (INCL ITEM No.`S 4 TH...
5	880202	1	BEARING, PILLOW BLOCK
6	150633	2	BOLT, HEX HEAD (2 1/4``)
7	153011	2	WASHER, FLAT (9/16``)
8	153011	2	WASHER, FLAT (9/16``) (AS REQUIRED)
9	153026	2	WASHER, LOCK (1/2``)
10	152011	2	NUT, HEX (No.1/2-13)
11	154322	2	SCREW (3/8 X 7/16)
12	152004	2	NUT, HEX (No.18-5/16)
13	150621	2	BOLT, MACHINE (No.18-5/16X1 1/2)
14	153002	4	WASHER, LOCK (5/16``)
15	153001	6	WASHER, FLAT (5/16``)
16	150621	4	BOLT, MACHINE (No.18-5/16X1 1/2)
17	884042	1	PULLEY, 18`` (NON-REVERSING)
17	101219	1	PULLEY, 18`` (REVERSING)
18	101220	1	BUSHING, TAPER LOCK (1 15/16)
19	100719	1	KEY (1/2 X 1/2 X 1 3/8)
20	100135	1	BELT, V
21	152004	2	NUT, HEX (No.18-5/16)
22	150610	2	SCREW, SET (No.18-5/16`` X 1 1/2)





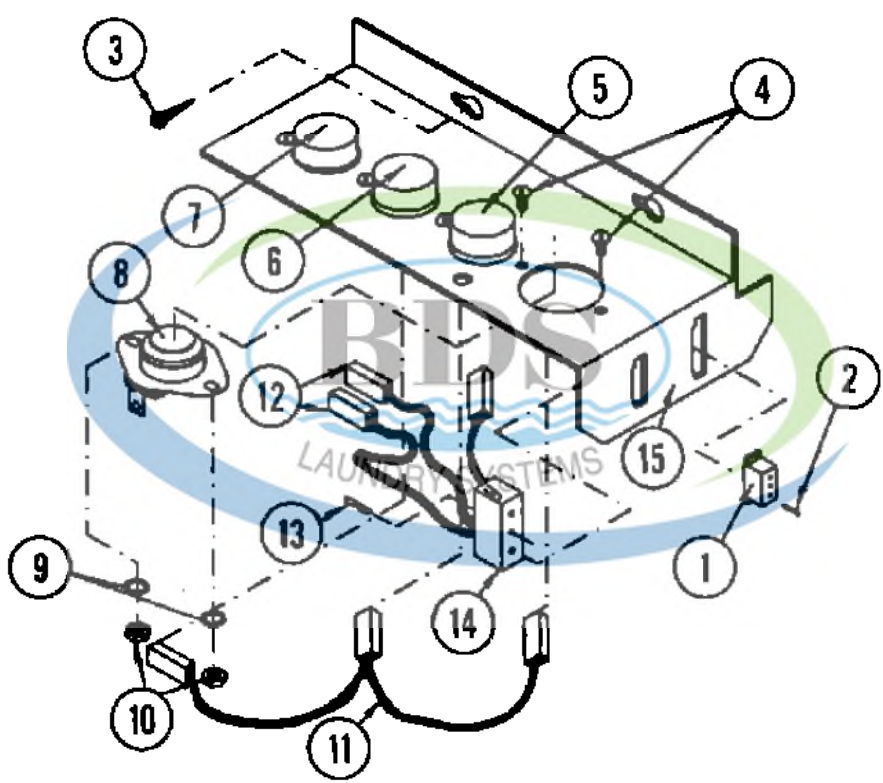
Ref #	Part Number	Qty.	Description
1	100108	1	V-BELT (5L-680)
2	101140	1	PULLEY, COMPOUND (14" X 3")
3	100110	1	V-BELT (4L-610)
4	154301	2	SCREW, ALLEN (No. 18-5/16 X 5/16) ALLEN SET)
5	100705	1	KEY (3/16" X 3/16" X 1-3/8")
6	301850	1	SHAFT, IDLER (5/8" X 3/4")
7	150529	3	BOLT, CARRIAGE (1/4 X 2 1/4")
8	880214	2	BEARING, FLANGE (5/8)
9	153007	3	WASHER, LOCK (1/4")
10	152002	3	HEX NUT (No. 1/4-20)
11	882576		(INCL ITEM No.'S 5 THRU 17)
11	NLA	1	IDLER BEARING ASSEMBLY
12	150617	2	MACHINE BOLT (3/8-16 X 1" HEX HD)
13	153005	2	WASHER, LOCK (3/8")
14	153004	2	WASHER, FLAT (3/8")
15	801009	1	WASHER, IDLER (SQ)
16	152004	1	HEX NUT (No. 5/16-18)
17	150509	1	BOLT, MACHINE (5/16-18 X 3") HEX HD)





Ref #	Part Number	Qty.	Description
1	100110	1	4L620 ``V`` BELT (TO IDLER ASSY)
2	100701	1	KEY (3/16`` X 3/16``)
3	101104	1	PULLEY, MOTOR (1/2`` X 2``) (60HZ ONLY)
3	101132	1	PULLEY, MOTOR (5/8`` X 2``)
4	150501	4	MACHINE BOLT (No.5/16-18 X 3/4`` HEX HD.)
5	153002	4	WASHER, LOCK (5/16``)
6	153001	4	WASHER, FLAT (5/16``)
7	181049	1	MOTOR W/PLUG (120/208/230V)
8	122701	8	TERMINAL, SOCKET (ONLY)
8	122801	1	PIN/SOCKET EXTENSION TOOL
9	137030	1	HOUSING (8 PIN)
10	152004	4	HEX NUT (No.5/16-18)
11	153002	4	WASHER, LOCK (5/16``)
12	153001	4	WASHER, FLAT (5/16``)
13	117600	4	NOISE SUPPRESSOR TAPE (SOLD IN FT.)
14	154000	4	TINNERMAN NUT (No.5/16-18)
15	800908	1	MOTOR MOUNT (ONLY)
15	803809	1	MOTOR MOUNT ASY (208-460 60/3) (INCL. No.2 THRU 6 & 13...
15	803938	1	MOTOR MOUNT ASY (115/230 60/1) (INCL. No.2 THRU 7 & 13...
16	153050	1	WASHER, FLAT (1/2``)
17	100604	1	IMPELLER (12 1/2`` W/ 1/2 BORE)
18	100702	1	KEY (1/8`` X 1/8`` X 1 1/2``)
19	153050	-	FLAT WASHER (1/2`` S.A.E.) (AS REQUIRED)
20	152006	2	JAM NUT, LEFT-HAND (No.1/2-20)





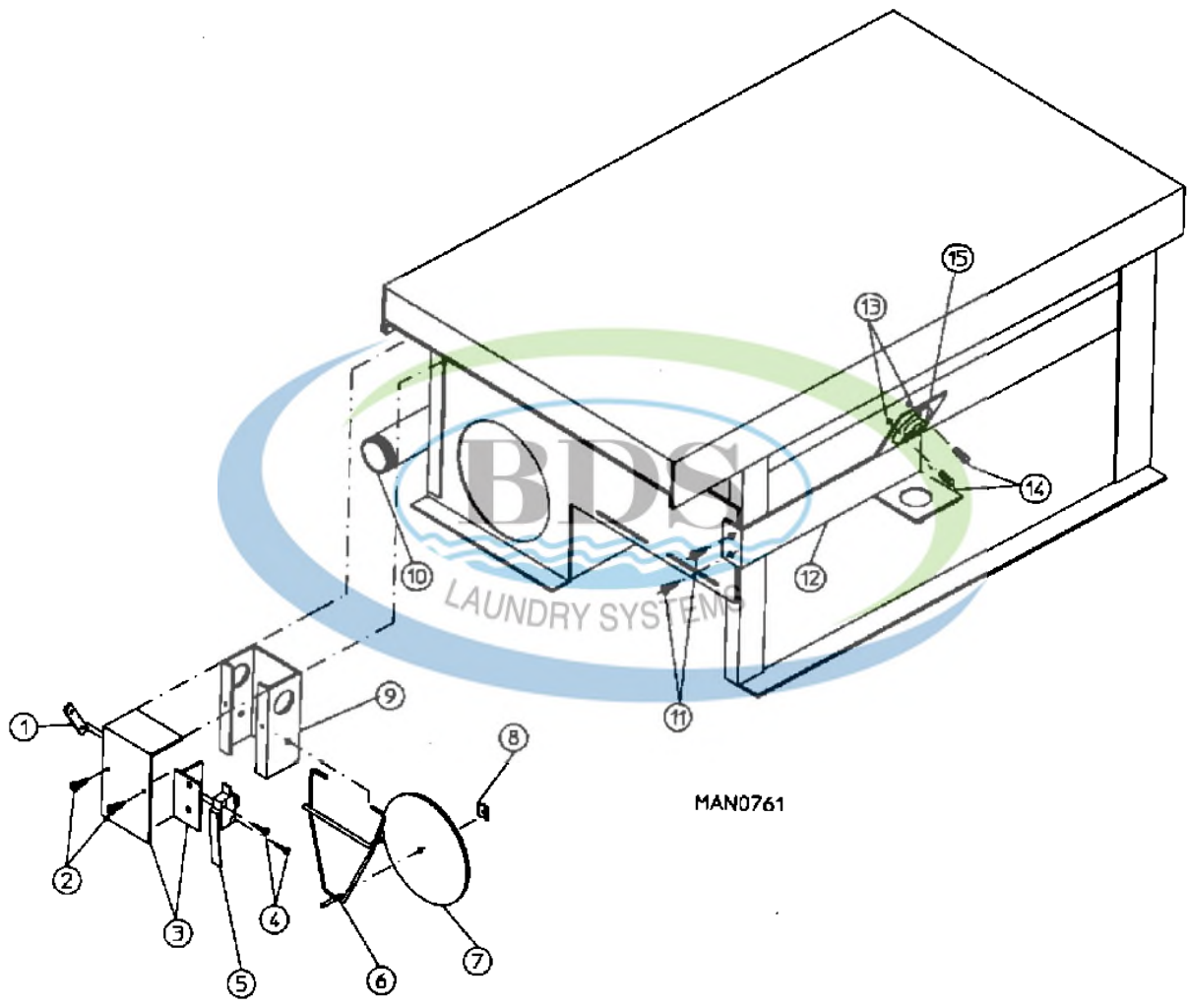
NON-COMPUTER SENSOR BRACKET ASSEMBLY

Ref #	Part Number	Qty.	Description
1	122604	1	CONNECTOR (4 PIN)
2	122700	4	TERMINAL, PIN
3	150301	2	TEK, SCREW (No.8-18 X 7/16`` PH. PAN HD.)
4	150005	-	SCREW, PHILL (6-32 X 1/4``)RND (AS REQUIRED)
5	130101	1	THERMOSTAT (180 DEGREE)
6	130100	1	THERMOSTAT (150 DEGREE)
7	130111	1	THERMOSTAT (130 DEGREE)
8	130301	1	THERMOSTAT (225 DEGREE)
9	153010	-	WASHER, STAR (No.6) (AS REQUIRED)
10	152000	-	NUT, HEX (No.6-32) (AS REQUIRED)
11	840065	1	JUMPER WIRE, SENSOR-4 ONLY
12	121028	-	TERMINAL, 1/4`` INSUL. (FEMALE) (AS REQUIRED)
13	122701	-	TERMINAL, SOCKET (ONLY) (AS REQUIRED)
14	122605	1	CONNECTOR, 4-PIN SOCKET
14	840062	1	HARNESS, BRACKET ASSY-4 T-STAT (INCLS No.22,23 & 24)
15	305007	1	BRACKET, SENSOR
15	801418	1	SENSOR BRKT ASSY -4 T-STAT (INCLS ITEM No.'S 4 THRU 1...



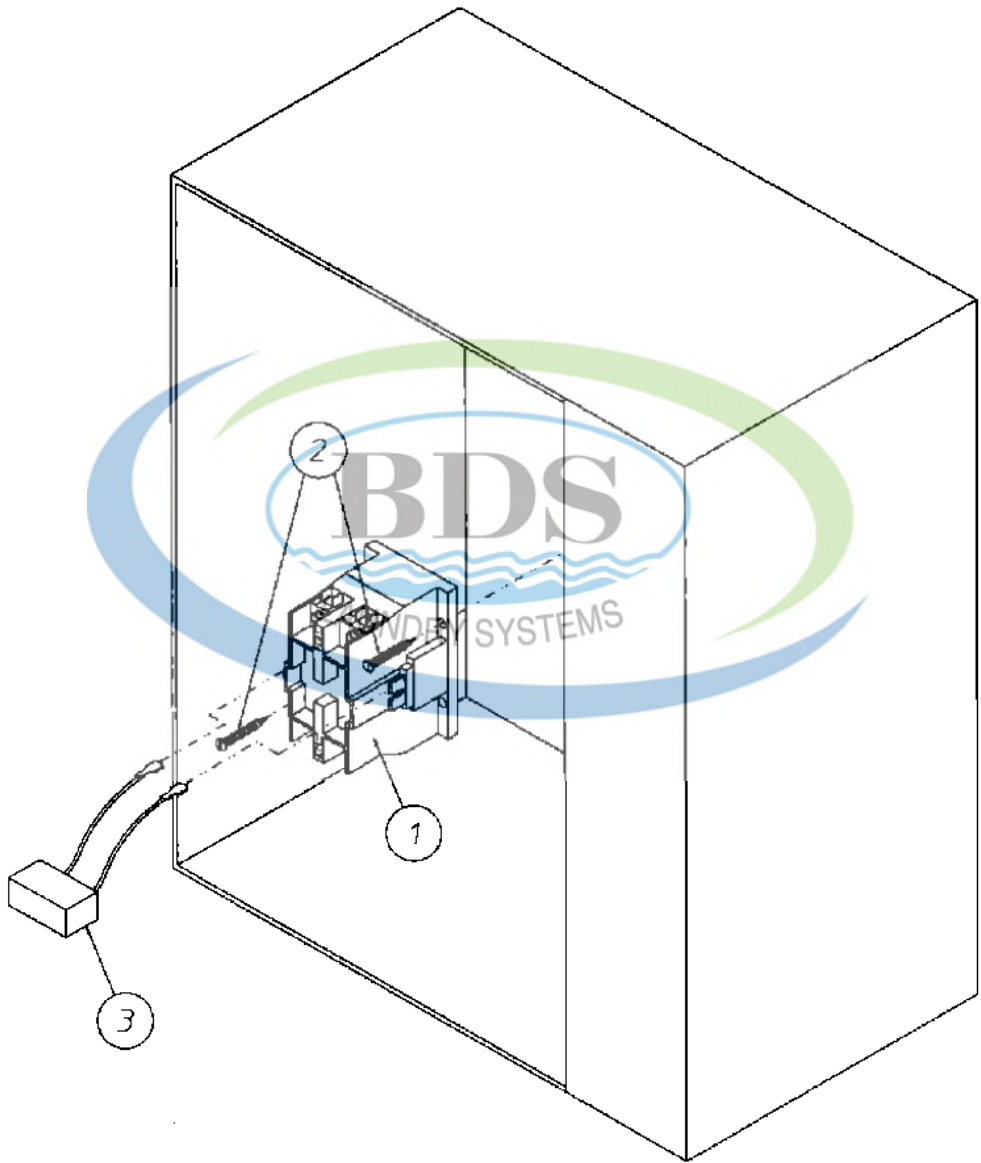
Ref #	Part Number	Qty.	Description
1	318030	1	SHIELD, DSI BURNER
2	150300	2	SCREW (No.10-32 X 1/2" PH ROUND
3	150415	2	SCREW, CRIMPTITE (PH. RD.HD.)
4	128915	1	DSI IGNITER & FLAME PROBE ONLY
4	880134	1	IGNITER/FLAME PROBE KIT ASSY.
5	880330	1	CONNECTOR, IGNITOR HV WIRE
6	150103	2	SCREW, MACHINE (No.8-32 X 3/4"
7	153000	2	STEEL BURR (No.8)
8	151001	2	NUT, PAL (No.8-32)
9	141105	2	BURNER, TUBE (LARGE)
10	140806	2	ORIFICE, BURNER (LP-No.46)
10	140819	2	ORIFICE, BURNER (NAT-No.30)
11	141230	1	1/2" DSI MANIFOLD (2 PORT)
12	318700	1	BRACKET, PIPE (BENT)
13	150300	2	SCREW (No.10-32 X 1/2" PH ROUND
14	887274	1	VALVE, REDUNDANT (1/2" 24VAC)
14	140411	1	CONVERSION KIT, GAS VALVE (LP)
14	880960	1	VALVE (1/2" 24 VAC, DSI-LP)
15	141305	1	SHUT-OFF, UNION
16	142500	1	1/2" X 90 DEGREE ELBOW
16	142600	1	UNION (1/2")
16	142707	1	NIPPLE (1/2" X 1-1/2")
16	142800	1	PIPE, 1/2" X 18" B.I.
16	142809	1	PIPE (1/2" X 29 1/8")
17	881367	4	UNION, SHUT-OFF (1/2")
18	318700	2	BRACKET, PIPE (BENT)
19	809631	1	BURNER ASSY. COMPLETE (ORIFICES NOT INCLUDED)
19	809632	1	BURNER ASSY. COMPLETE (LP) (ORIFICES NOT INCLUDED)
19	850851	1	BURNER BOX ASSEMBLY
20	883849	1	MODULE, DSI
21	150299	2	SCREW, TEK (No.10 X 1")
22	874050	1	L.P. CONVERSION KIT
23	410001	1	WRENCH, ALLEN (1/2")





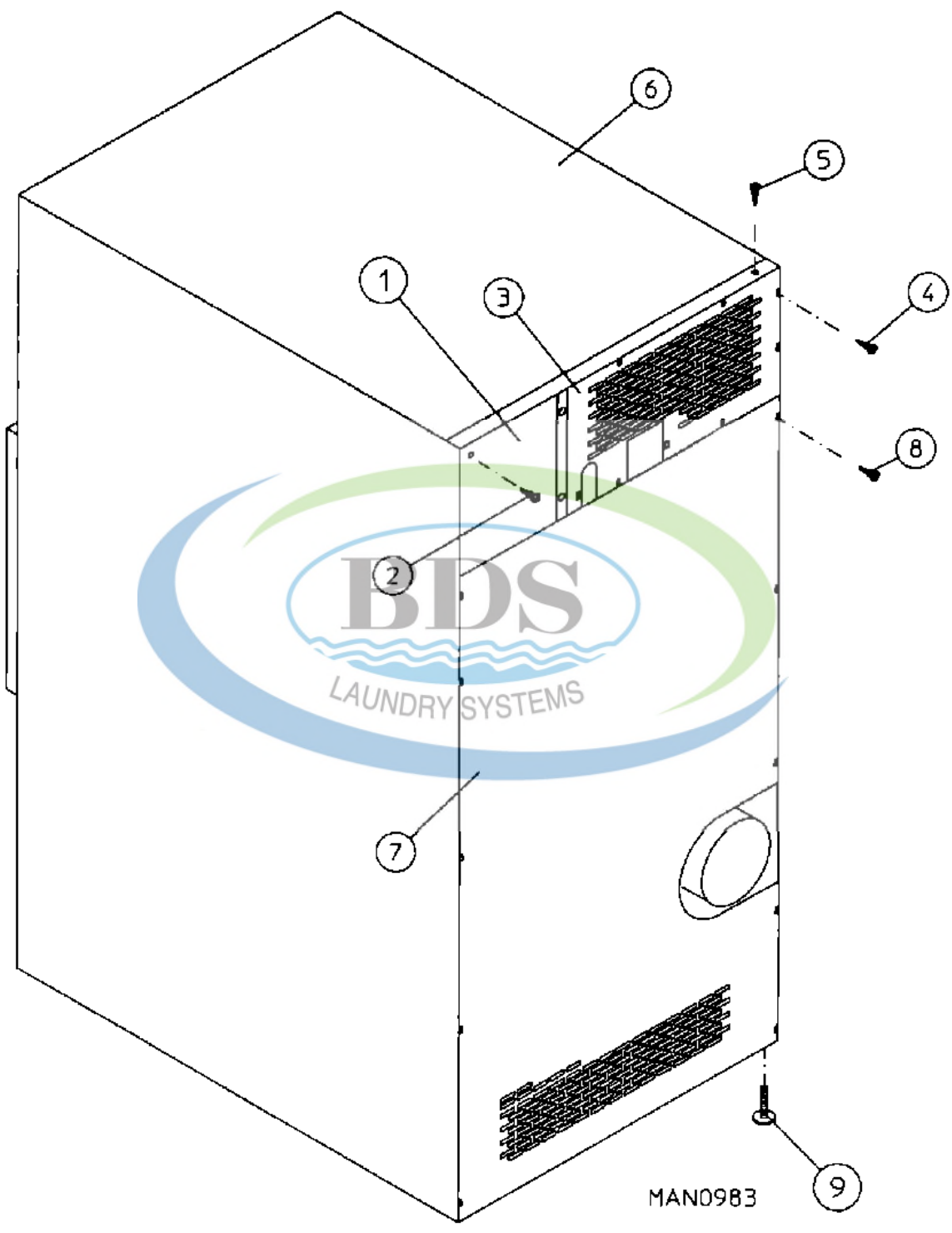
Ref #	Part Number	Qty.	Description
1	154004	1	NUT, TWIN SPEED
2	150415	2	SCREW, CRIMPTITE (PH. RD.HD.)
3	802799	1	COVER, SAIL SWITCH BOX W/BRKT.
4	150303	2	SCREW (No.4 X 3/4")
5	122200	1	SWITCH, SAIL
6	105500	1	ROD, SAIL SWITCH ACTUATOR
7	319202	1	DAMPER, SAIL SWITCH (FLAT)
8	154002	1	FASTENER, PUSH-ON (1/8")
9	802800	1	BOX, SAIL SWITCH (ONLY)
9	802801	1	BOX, SAIL SWITCH ASSY
10	142809	1	PIPE (1/2" X 29 1/8")
11	150415	2	SCREW, CRIMPTITE (PH. RD.HD.)
12	319704	1	BRACKET, HI-LIMIT MOUNTING
13	151000	2	PAL NUT (No.6-32)
14	151001	2	NUT, PAL (No.8-32)
15	130201	1	HI-LIMIT





Ref #	Part Number	Qty.	Description
0	10124350		
1	132498	1	CONTACTOR
2	150299	2	SCREW, TEK (No.10 X 1")
3	150301	5	SCREW, TEK (No.8-18 X 7/16 PH
3	322809	1	COVER, ELECTRICAL BOX (REAR)
3	824828	1	RC NETWORK W/CONNECTOR





Ref #	Part Number	Qty.	Description
1	322809	1	COVER, ELECTRICAL BOX (REAR)
2	150301	4	SCREW, TEK (No.8-18 X 7/16 PH
3	330077	1	GUARD, BACK (UPPER)
4	150301	7	SCREW, TEK (No.8-18 X 7/16 PH
5	150301	10	SCREW, TEK (No.8-18 X 7/16 PH
6	312510	1	GUARD, TOP (OUTER)
7	314513	1	GUARD, BACK (LOWER)
8	150301	13	SCREW, TEK (No.8-18 X 7/16 PH
9	103500	4	LEG, LEVELING (ADJUSTABLE)

