

MAYTAG



MDG31 Parts Manual **Phase 8**

For Internal Use Only

**RETAIN THESE INSTRUCTIONS IN A SAFE PLACE
FOR FUTURE REFERENCE**

Maytag
Benton Harbor, MI
1-800-662-3587

Part No. 450272-8

Retain This Manual In A Safe Place For Future Reference

This product embodies advanced concepts in engineering, design, and safety. If this product is properly maintained, it will provide many years of safe, efficient, and trouble free operation.

ONLY properly licensed technicians should service this equipment.

OBSERVE ALL SAFETY PRECAUTIONS displayed on the equipment or specified in the installation manual included with the dryer.

FOR YOUR SAFETY

Do not store or use gasoline or other flammable vapors and liquids in the vicinity of this or any other appliance.

POUR VOTRE SÉCURITÉ

Ne pas entreposer ni utiliser d'essence ni d'autres vapeurs ou liquides inflammables à proximité de cet appareil ou de tout autre appareil.

We have tried to make this manual as complete as possible and hope you will find it useful. The manufacturer reserves the right to make changes from time to time, without notice or obligation, in prices, specifications, colors, and material, and to change or discontinue models.

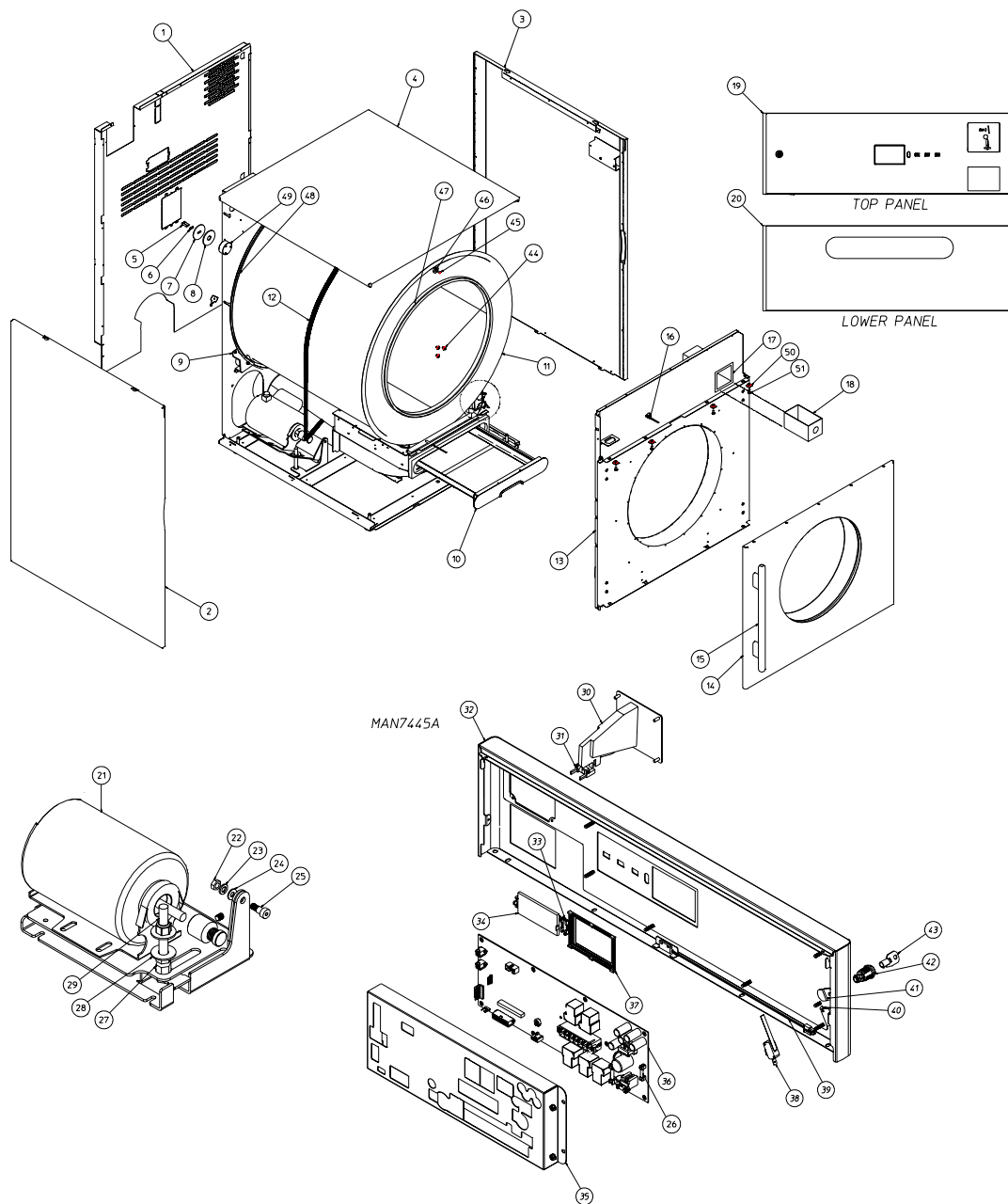
Important

For your convenience, log the following information:

DATE OF PURCHASE _____ MODEL NO. **MDG31**

DISTRIBUTOR'S NAME _____

Serial Number(s) _____

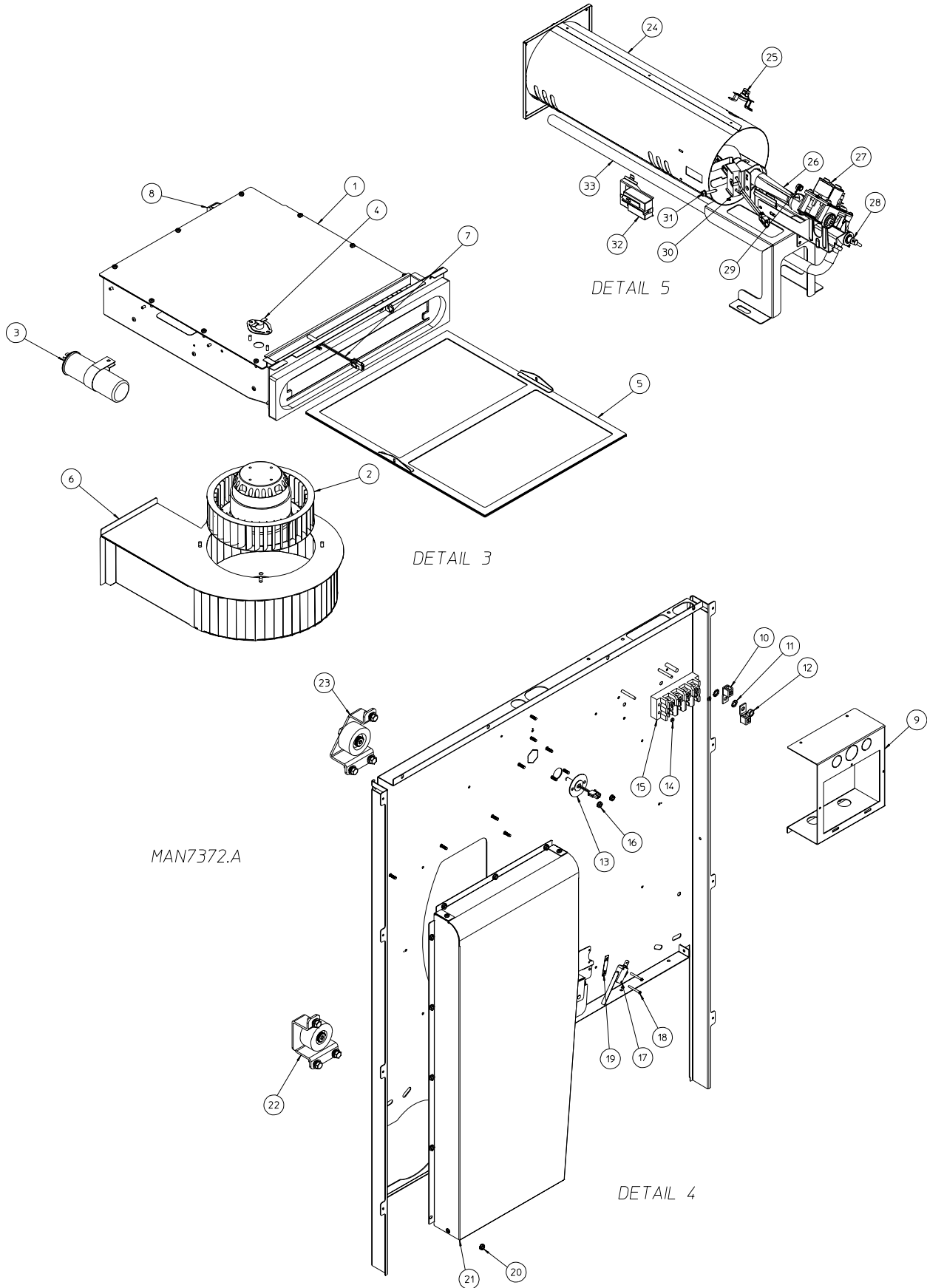


<u>Illus. No.</u>	<u>Part No.</u>	<u>Qty.</u>	<u>Description</u>
1	818923	1	Back Guard Assembly (as of December 7, 2005)
	819138	1	Back Guard Assembly (prior to December 7, 2005)
2	819615	1	Left Side Panel Assembly (as of December 7, 2005)
	819125	1	Left Side Panel Assembly (prior to December 7, 2005)
3	819617	1	Right Side Panel Assembly (as of December 7, 2005)
	819123	1	Right Side Panel Assembly (prior to December 7, 2005)
4	819141	1	Outer Top Panel Assembly
5	150445	2	1/4-20 x 3/4" Bolt
6	153072	2	Spring Washer
7	318891	1	Backup Washer
8	153048	2	Inner Friction Pad
9	818110	1	Rear Left Wheel (refer to page 8 for details)
	818109	1	Rear Right Wheel (refer to page 8 for details)
10	819288*	1	Lint Screen Assembly (Painted)
	819315	1	Lint Screen Assembly (Stainless Steel)
11	819849	1	Galvanized Tumbler Assembly (as of March 12, 2008)
	818815	1	Galvanized Tumbler Assembly (prior to March 12, 2008)
	819398	1	Stainless Steel Tumbler Assembly

Parts List

<u>Illus. No.</u>	<u>Part No.</u>	<u>Qty.</u>	<u>Description</u>
12	102407	1	Belt
13	819627*	1	Front Panel Assembly Right Hinge Complete (Coin Only)
	819361	1	Front Panel Assembly Right Hinge Complete (Non-Coin Only)
	818183	1	Front Right Wheel (refer to page 8 for details)
	818184	1	Front Left Wheel (refer to page 8 for details)
	102004	2	Magnet
	102005	2	Magnet Blank
	152224	4	Magnet Screw
	400563	1	Magnet Removal Bit
14	819302*	1	Door Assembly Right Hinge (Painted)
	819303	1	Door Assembly Right Hinge (Stainless Steel)
	102396	1	Door Gasket
	103067	2	Door Hinge
15	185183*	1	Handle
	185182*	2	Handle Standoff
	150690	2	Mounting Screw
16	819573	1	Rotation Sensor Assembly (as of January 26, 2006)
	819194	1	Rotation Sensor Assembly (prior to January 26, 2006)
17	819210	1	Coin Vault Only with Switch
	122002	1	Coin Switch Only
18	125916	1	Coin Box Assembly with 2 Keys
19	818816*	1	25¢ Coin Control Door Assembly Complete (w/Coin Acceptor & Computer Board)
	819507*	1	Non-Coin Control Door Assembly (Complete w/Computer Board)
20	185097*	1	Lower Panel (White)
	185048	1	Lower Panel (Stainless Steel)
21	887215	1	1/4 hp Motor with Sheave (as of March 12, 2008)
	884288	1	1/4 hp Motor with Sheave (prior t March 12, 2008)
22	152004	2	5/16-18 Hex Nut
23	153002	2	5/16" Split Lock Washer
24	153018	2	1/4" Flat Washer
25	154266	2	3/8" x 3/8" (5/16-18) Screw
26	136056	1	20-amp Slo-Blo Fuse (Controls)
	136116	1	3-amp Fuse (Display)
27	152011	1	1/2-13 Hex Nut
	152028	1	1/2-13 Nylon Insert Locknut
28	153011	1	9/16" ID, 1-3/8" OD Flat Washer
29	150609	1	1/2-13 x 4-1/2" Tap Bolt
30	818213	1	25¢ Coin Acceptor Assembly (with Optic Switch)
31	887041	1	Optic Switch Only
32	818817*	1	Control Panel (Coin Only)
	819506*	1	Control Panel (Non-Coin Only)
33	135008	1	Tinted IR Cover
34	112551	1	Three Button Assembly (Coin Only)
	112588	1	Membrane Switch (Coin Only)
	112586	1	Keypad (Non-Coin Only)
35	350250	1	Phase 8 Control Cover
36	887101	1	Phase 8 Computer (Coin Only/No S.A.F.E.)
	887093	1	Phase 8 Computer (Non-Coin Only)
37	112549	1	L.C.D. Display Cover (Coin Only)
38	122200	1	Program Switch (Coin Only) (prior to February 28, 2007)
39	819196	1	Door Switch Assembly
40	154004	1	Twin Speed Nut (Coin Only) (prior to February 28, 2007)
41	160066	1	1-1/8" Long Cam (prior to February 28, 2007)
42	160069	1	Lock, Keyed ZB-7 (Coin Only) (prior to February 28, 2007)
—	160070	1	Key Lock Switch ... Not Illustrated (as of February 28, 2007)
43	160169	1	Key for 160069 Lock, Keyed ZB-7 (Coin Only)
44	150123	3	1/4-20 x 1/4" Socket Button Head Cap Screw
45	154217	1	1/8" Pop Rivet
46	102004	1	Magnet
47	115906	1	Front Tumbler Felt
48	115910	1	Rear Tumbler Felt
	401010	—	3M Mastic for Felt Installation (5 fl. oz. tube)
49	318784	1	Solid Back Shaft
50	154061	4	U-Nut Retainer
51	183129	4	T-20 Truss Head Machine Screw

* Specify color when ordering.



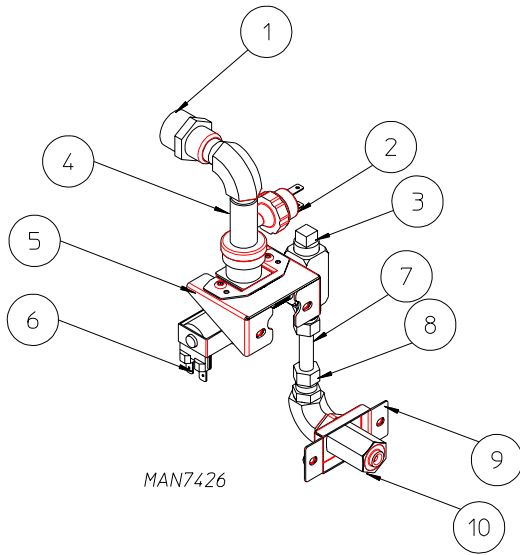
Parts List

<u>Illus. No.</u>	<u>Part No.</u>	<u>Qty.</u>	<u>Description</u>
1	825569	1	Lint Box/Blower Assembly Complete (as of September 1, 2006) (includes illus. nos. 2 thru 7)
	819193	1	Lint Box/Blower Assembly Complete (prior to September 1, 2006) (includes illus. nos. 2 thru 7)
2	100674	1	Blower Motor Assembly 120V (as of September 1, 2006)
	819185	1	Blower Motor Assembly 120V (prior to September 1, 2006)
3	100618	1	20 MFD Capacitor (as of September 1, 2006)
	100639	1	32 MFD Capacitor (prior to September 1, 2006)
4	130119	1	L190 Automatic Thermostat
5	819526	1	Inner Lint Screen (prior to September 1, 2006)
	319409	2	Inner Lint Screen Clamp
6	185084	1	Blower Housing (as of September 1, 2006)
	818545	1	Blower Housing (prior to September 1, 2006)
7	830333	1	Exhaust Temperature Sensor Assembly (as of February 19, 2008)
	818986	1	Exhaust Temperature Sensor Assembly (prior to February 19, 2008)
8	122003	1	Lint Door Switch
9	318993	1	Rear Electrical Box
	318727	1	Rear Electrical Box Cover
10	153021	1	1/4" Shakeproof Washer
11	121010	1	Terminal Lug
12	152002	1	1/4-20 Hex Nut
13	819188	1	Axial Temperature Sensor Harness Assembly
14	152015	1	#8-32 Hex Nut
15	120728	1	Quick-Connect Term Block
16	153073	2	#8-32 KEPS Nut
17	122200	2	Sail Switch
18	150025	2	#4-40 x 1" Phillips Screw
19	154004	1	Twin Speed Nut
20	153073	14	#8-32 KEPS Nut
21	819113	1	Heat Duct with Sail Switch Assembly
22	818109	1	Rear Right Wheel (refer to page 8 for details)
23	818110	1	Rear Left Wheel (refer to page 8 for details)
24	819314	1	Burner Assembly
	819313	1	Burner Chamber
25	183112	1	Thermostat, Gas High-Limit
26	183144	1	Inshot Burner Tube, Hot Surface Ignition
27	128944**	1	Gas Valve 120 VAC 60 Hz
	884111*	1	Dryer Liquid Propane Conversion Kit
28	141318	1	3/8" 90° Union Shutoff
	140896*	1	Natural Gas #20 Burner Orifice
29	140905*	1	Liquid Propane Gas #44 Burner Orifice
	128910	1	Globar®
30	128910	1	Globar®
31	183145	1	#8-32 x 7/8" Hex Screw with Washer
32	130500	1	Radiant Control
33	185096	1	3/8" N.P.T. Male 90° Gas Pipe

* Consult factory for elevations over 2,000 ft. for correct burner orifice size.

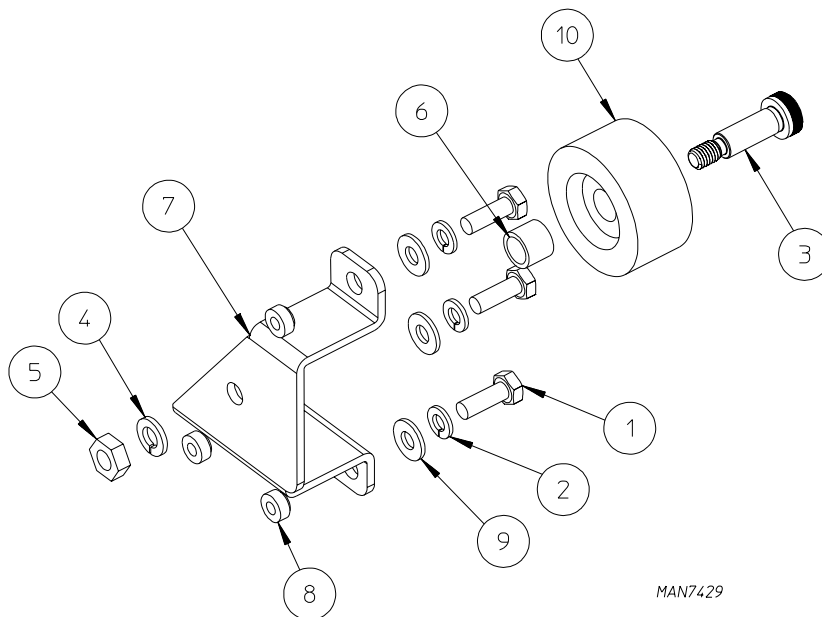
** To convert valve to L.P. gas, kit P/N 140414 is required.

S.A.F.E. System Assembly Parts Diagram / List



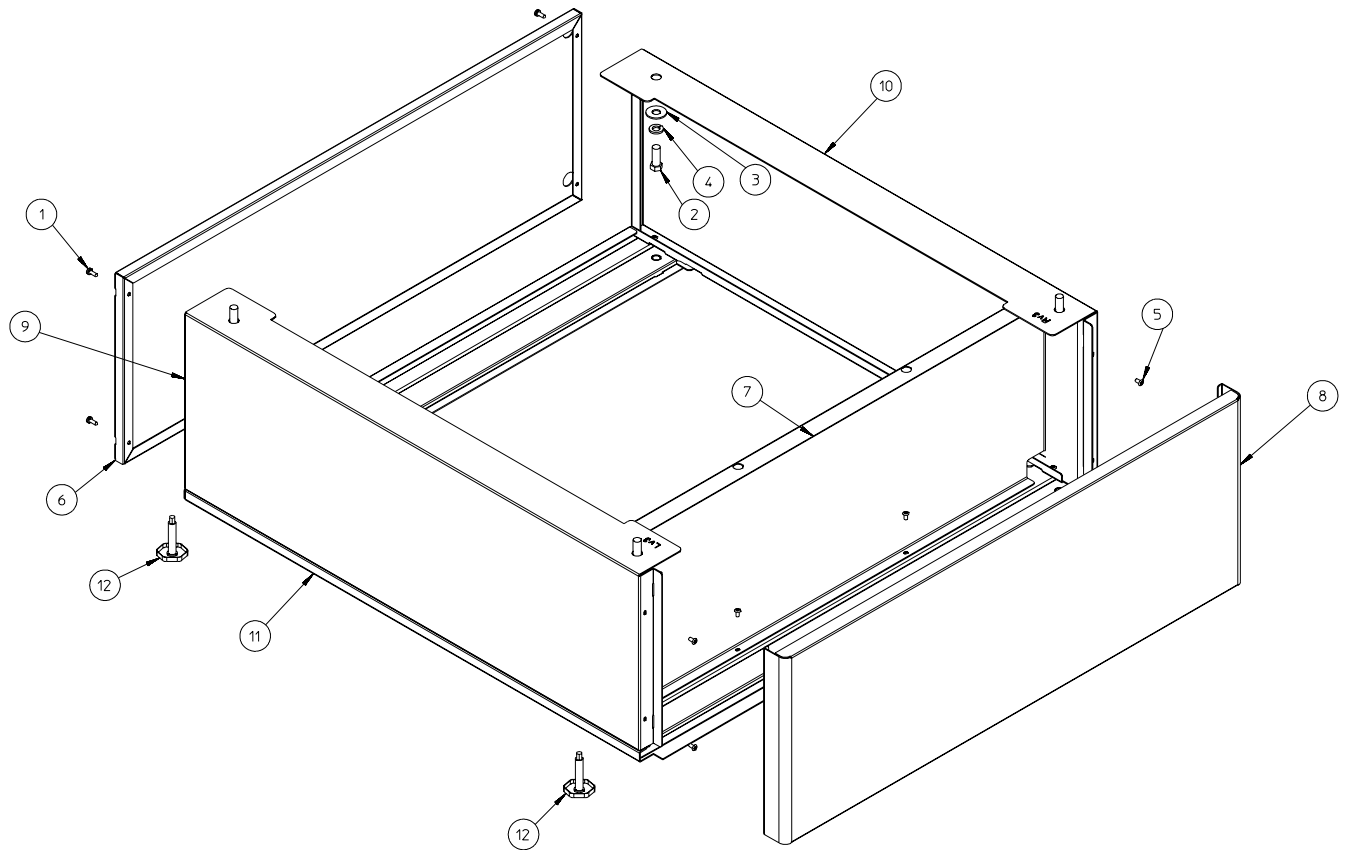
<u>Illus. No.</u>	<u>Part No.</u>	<u>Qty.</u>	<u>Description</u>
1	143025	1	Nylon Hose Adaptor
2	136987	1	Pressure Switch
3	143251	1	3/8" Plug
4	143182	1	Brass Tee
5	319231	1	Support Bracket
6	165120	1	Water Valve
7	143099	1	3/8" OD Copper Tubing
8	143208	1	3/8" Brass Connector
9	318422	1	S.A.F.E. Bracket
10	143581	1	Spray Nozzle

Wheel Assembly Parts Diagram / List



<u>Illus. No.</u>	<u>Part No.</u>	<u>Qty.</u>	<u>Description</u>
1	150510	3	1/4-20 x 3/4" Hex Head Machine Bolt
2	153007	3	1/4" Lock Washer
3	154267	1	M10 x 25mm Shoulder Screw
4	153002	1	5/6" Lock Washer
5	154013	1	M8 Hex Nut
6	154284	1	Tumbler Wheel Spacer
7	318233	1	Rear Right Roller Wheel Bracket
	318232	1	Rear Left Roller Wheel Bracket ...Not Illustrated
	318532	1	Front Right Roller Wheel Bracket...Not Illustrated
	318531	1	Front Left Roller Wheel Bracket ...Not Illustrated
8	153564	3	1/4-20 Clinch Nut
9	153018	3	1/4" Flat Washer
10	180050	1	Wheel

Pedestal Assembly Parts Diagram / List



MAN7474

<u>Illus. No.</u>	<u>Part No.</u>	<u>Qty.</u>	<u>Description</u>
—	851417*	2	11" Stackable Pedestal Assembly

Bottom pedestal shown. Duplicate parts for top assembly.

<u>Illus. No.</u>	<u>Part No.</u>	<u>Qty.</u>	<u>Description</u>
1	150331	4	#8-18 x 1/2" Pan Head TORX Screw
2	150617	4	3/8"-16 x 1" Hex Head Machine Bolt
3	153004	4	3/8" x 1" O.D. Flat Washer
4	153005	4	3/8" Split Lock Washer
5	154200	10	5/32" Pop Rivet
6	319598*	1	11" Pedestal Back
7	319599*	1	Pedestal Inner Support
8	319600*	1	11" Pedestal Front
9	319601*	1	11" Pedestal Left Side
10	310602*	1	11" Pedestal Right Side
11	851416*	1	Pedestal Base
12	103500	4	Leveling Leg (Lower Pedestal Only)

* Specify color when ordering.

