



MDG35 Parts Manual

**RETAIN THESE INSTRUCTIONS IN A SAFE PLACE
FOR FUTURE REFERENCE**

Whirlpool Corporation
Commercial Laundry
Benton Harbor, MI 49022
1-800-662-3587

Retain This Manual In A Safe Place For Future Reference

This product embodies advanced concepts in engineering, design, and safety. If this product is properly maintained, it will provide many years of safe, efficient, and trouble free operation.

ONLY qualified technicians should service this equipment.

OBSERVE ALL SAFETY PRECAUTIONS displayed on the equipment or specified in the installation manual included with the dryer.

The following “**FOR YOUR SAFETY**” caution must be posted near the dryer in a prominent location.

FOR YOUR SAFETY

Do not store or use gasoline or other flammable vapors and liquids in the vicinity of this or any other appliance.

POUR VOTRE SÉCURITÉ

Ne pas entreposer ni utiliser d'essence ni d'autres vapeurs ou liquides inflammables à proximité de cet appareil ou de tout autre appareil.

We have tried to make this manual as complete as possible and hope you will find it useful. The manufacturer reserves the right to make changes from time to time, without notice or obligation, in prices, specifications, colors, and material, and to change or discontinue models.

Important

For your convenience, log the following information:

DATE OF PURCHASE _____ MODEL NO. **MDG35**

DISTRIBUTOR'S NAME _____

Serial Number(s) _____

For replacement parts, contact the distributor from which the dryer was purchased or contact:

Whirlpool Corporation
Commercial Laundry
Benton Harbor, MI 49022
1-800-662-3587

The illustrations on the following pages may not depict your particular dryer exactly. The illustrations are a composite of the various dryer models. Be sure to check the descriptions of the parts thoroughly before ordering.

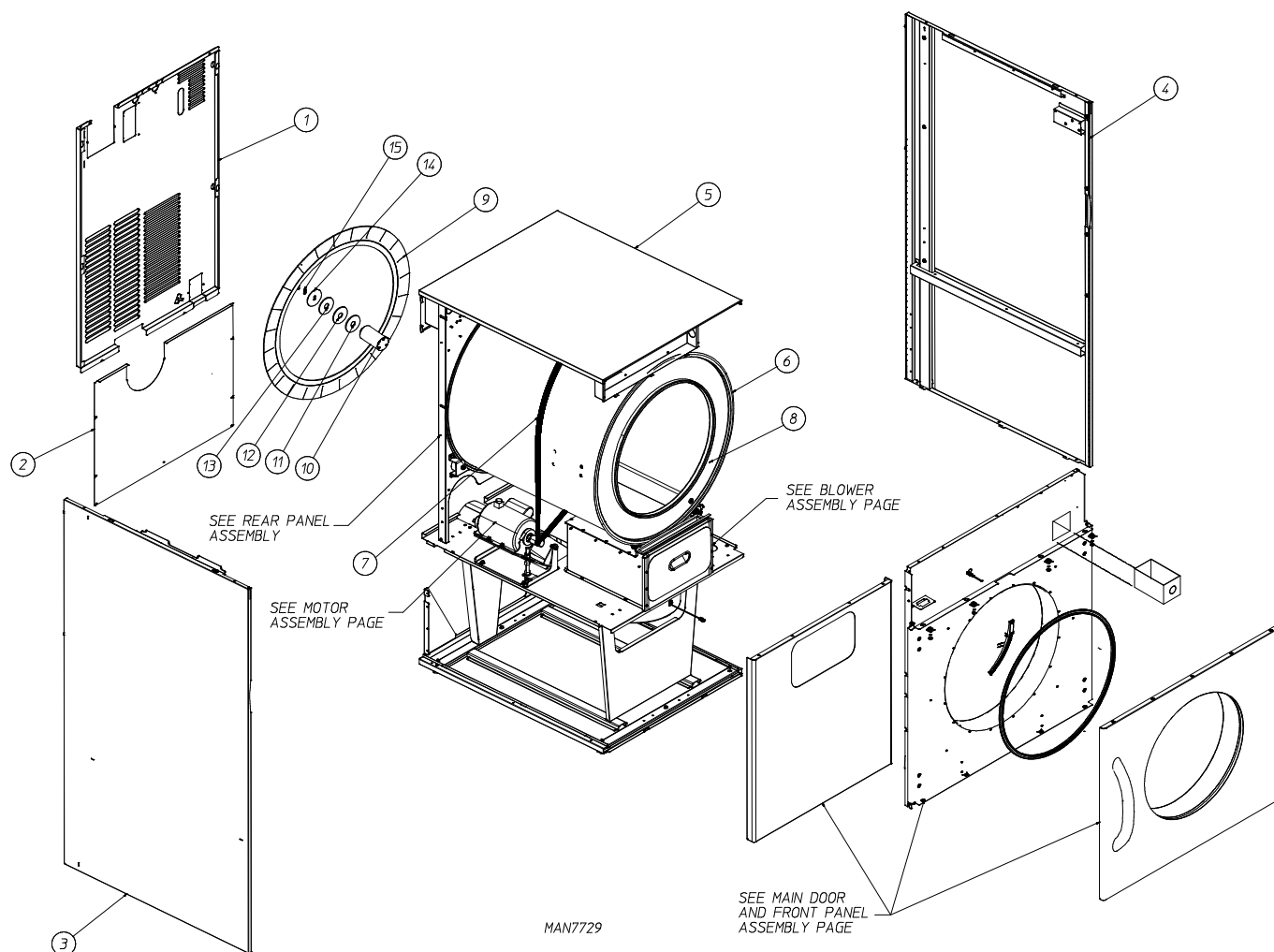
“IMPORTANT NOTE TO PURCHASER”

Information must be obtained from your local gas supplier on the instructions to be followed if the user smells gas. These instructions must be posted in a prominent location near the dryer.

Table of Contents

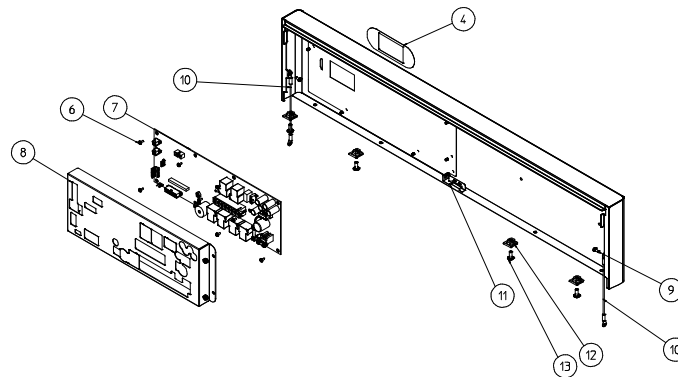
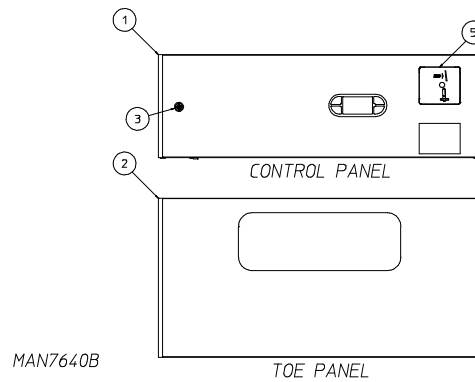
Main Parts Diagram	4
Microprocessor Control Panel Assembly	5
Main Door and Front Panel Assembly	6
Rear Panel Assembly	7
Lint Box Assembly	8
Lint Drawer Assembly	9
Blower Assembly	10
Burner Assembly	11
Electric Burner / Steam Assembly	12
Motor Assembly	13
S.A.F.E. System Assembly	14
Wheel Assembly	15

Main Parts Diagram



<u>Illus. No.</u>	<u>Part No.</u>	<u>Qty.</u>	<u>Description</u>
1	367214	1	Rear Large Back Guard (for gas and electric heated models)
	828266	1	Rear Large Back Guard (for steam heated models)
2	335081	1	Rear Small Back Guard
3	814497	1	Left Side Panel Assembly
4	814498	1	Right Side Panel Assembly
5	814500	1	Top Panel Assembly
6	815175	1	Galvanized Tumbler Assembly
	815176	1	Stainless Steel Tumbler Assembly
7	102407	1	Auto Tension Belt
8	115906	1	Tumbler Felt (front)
9	115910	1	Tumbler Felt (rear)
10	185240	1	Tumbler Shaft (for gas and electric heated models)
	185055	1	Solid Back Shaft (for steam heated models)
11	354217	1	3/8" Spacer Plate
12	153048	1	Friction Pad (for gas and electric heated models)
	102373	1	Rulon J Thrust Bearing (for steam heated models)
13	153048	1	Friction Pad (for gas and electric heated models)
	102373	1	Rulon J Thrust Bearing (for steam heated models)
14	185426	1	Dual Screw Backup Washer
15	153072	2	1/4" High Collar Lock Washer

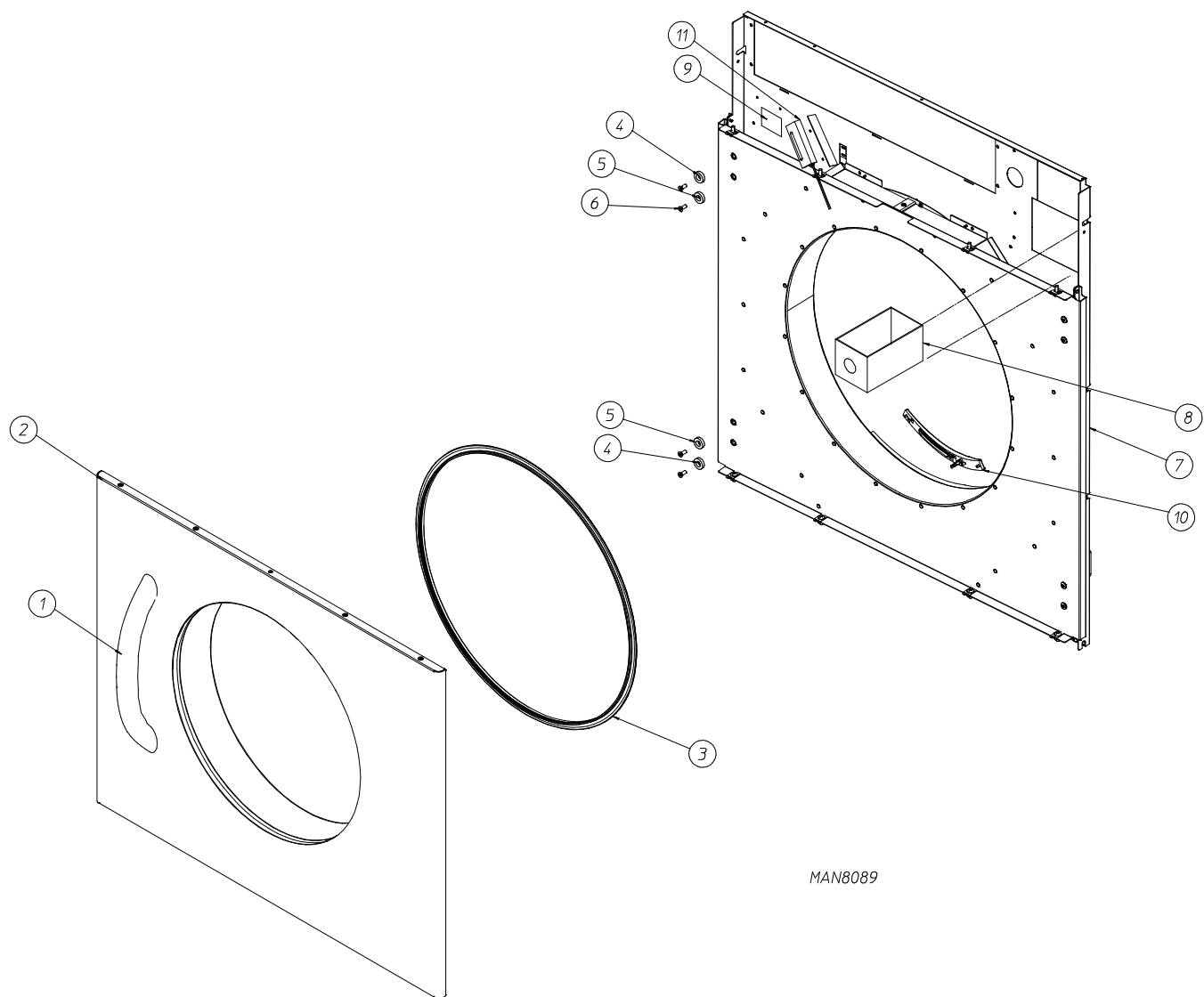
Microprocessor Control Panel Assembly



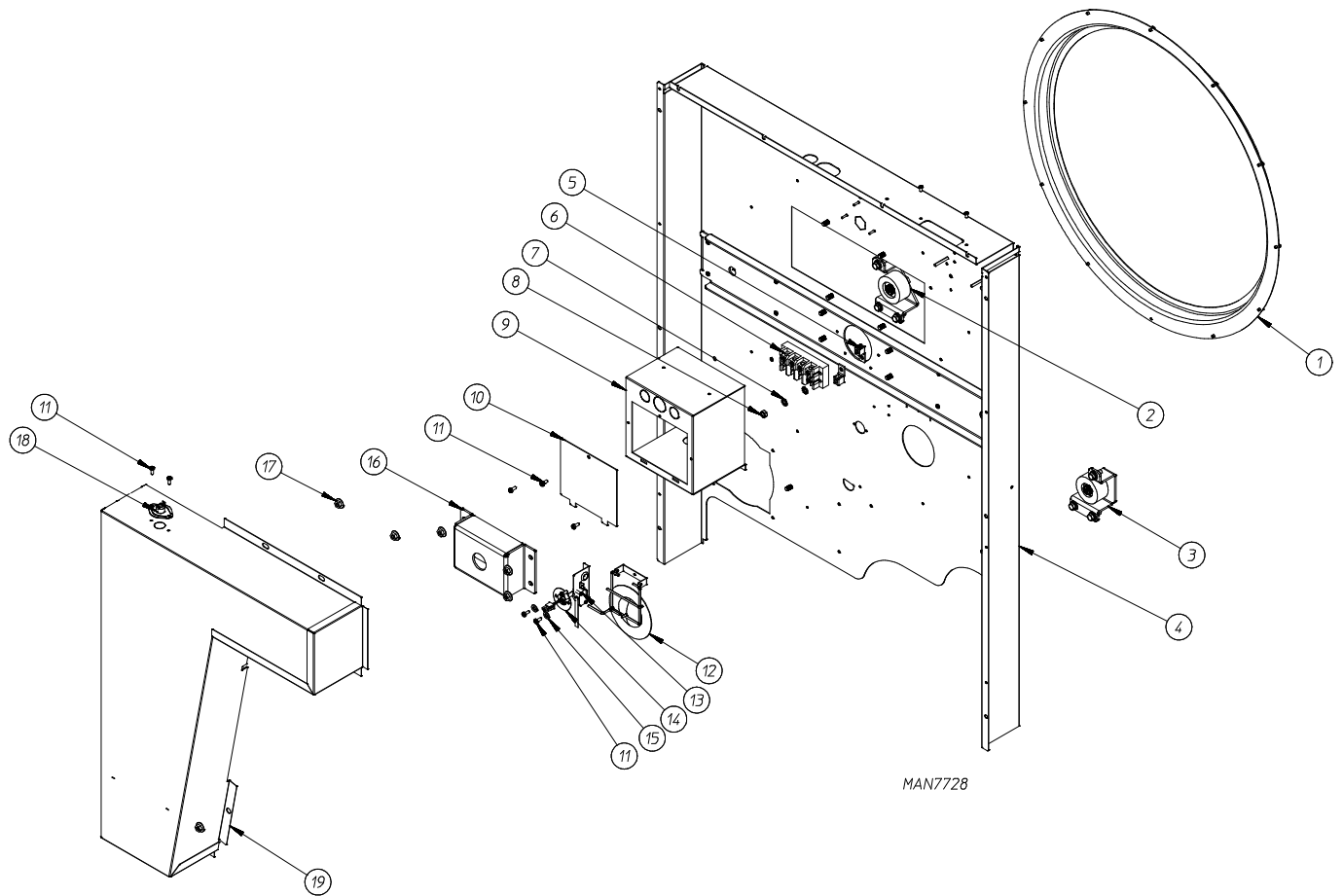
<u>Illus. No.</u>	<u>Part No.</u>	<u>Qty.</u>	<u>Description</u>
1	828421	1	Phase 8 Coin Control Panel Assembly Complete
	828425	1	Phase 8 Non-Coin Control Panel Assembly Complete
	828422	1	Phase 8 Coin Control Panel (panel Only)
	828426	1	Phase 8 Non-Coin Control Panel (panel Only)
2	814515*	1	Toe Panel (painted)
	814584	1	Toe Panel (stainless steel)
3	160070	1	Lock Assembly
	160169	2	ZB7 Key
4	112605	1	3 Button Membrane Switch (coin Only)
	112586	1	Non-Coin Keypad
5	818213	1	25¢ Coin Acceptor Assembly with Optic Switch
	887041	1	Optic Switch ONLY (for 25¢ coin acceptor)
6	152022	10	#6-32 x 5/16" Pan Head Screw
7	887092	1	Phase 8 Microprocessor without Fire Suppression System (non-coin Only)
	887093	1	Phase 8 Microprocessor with Fire Suppression System (non-coin Only)
	884479	1	Phase 8 Coin Microprocessor (coin Only)
	819541	1	Coin Block Jumper Harness (non-coin Only)
	136116	1	3-Amp Fuse
8	136054	1	15-Amp Fuse
	328662	1	Non-Coin Computer Board Cover
	328652	1	Coin Computer Board Cover
9	153073	4	#8-32 Nut
	150331	2	#8-18 x 1/2" TORX® Screw
	10	121530	2
11	350303	2	Panel Support Bracket (for non-coin models) ... Not Illustrated
	819196	1	Main Door Switch Assembly
12	154065	4	Tinnerman U-Nut Retainer
13	154364	4	#10-16 x 1/2" Phillips Truss Head Screw

* Specify color when ordering.

Main Door and Front Panel Assembly



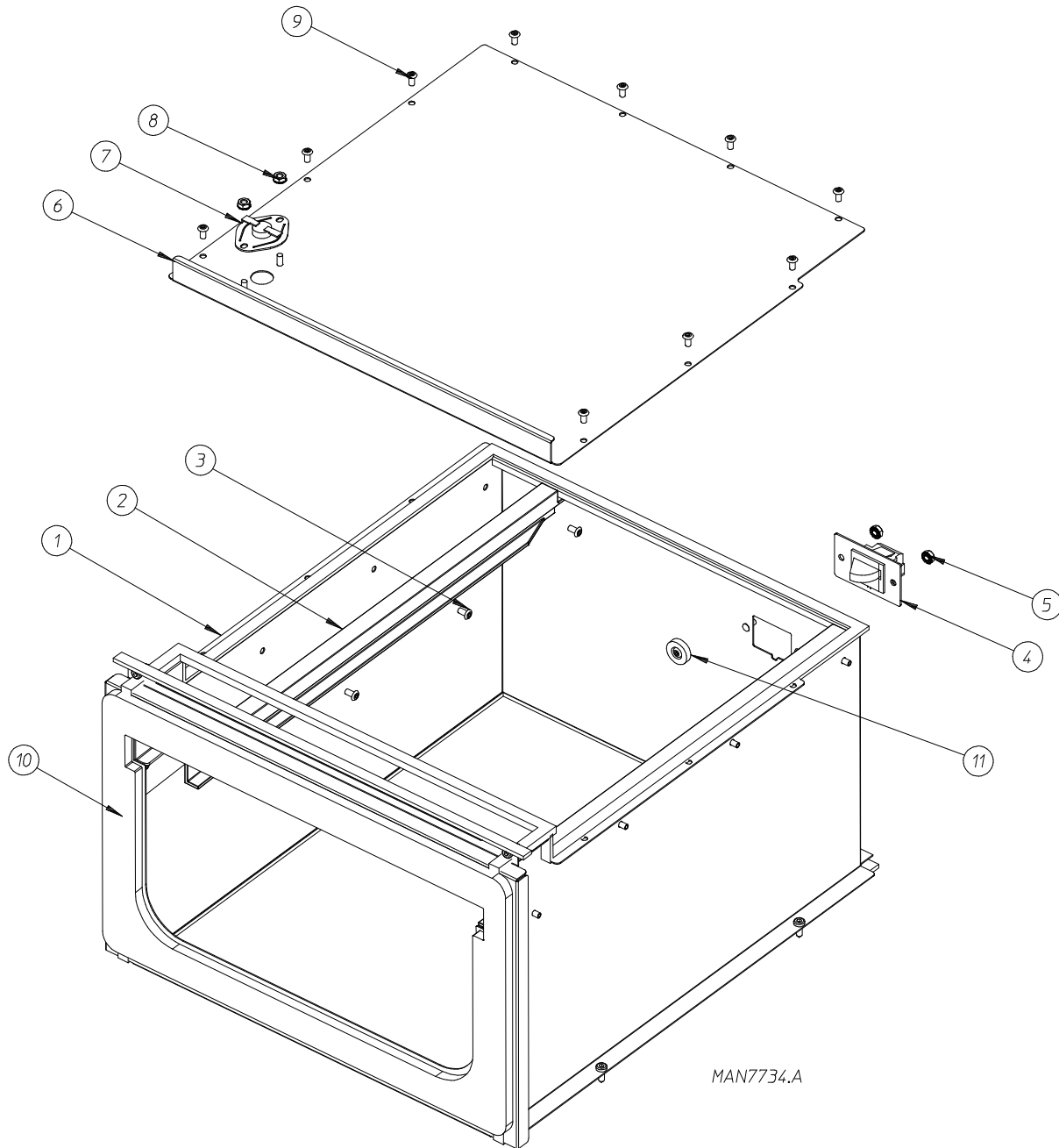
<u>Illus. No.</u>	<u>Part No.</u>	<u>Qty.</u>	<u>Description</u>
1	819838	1	White Door Handle
	887175	1	Silver Door Handle
2	816197	1	Door Assembly Right (white)
	814641	1	Door Assembly Right
3	102396	1	Door Gasket
4	102004	2	Door Magnet
5	102005	2	Magnet Door Blank (non-magnetic)
6	152223	4	#10-32 x 1/2" Flat Machine Screw (stainless steel)
7	828433	1	Front Panel Assembly Complete (Coin)
	828432	1	Front Panel Assembly Complete (Non-Coin)
8	125916	1	Coin Box Assembly with 2 Keys
9	131819	1	Reversing Contactor (120 volts)
	131818	1	Reversing Contactor (200-240 volts)
10	819805	1	Moisture Sensor Assembly (Non-Coin)
11	819573	1	Rotation Sensor Assembly



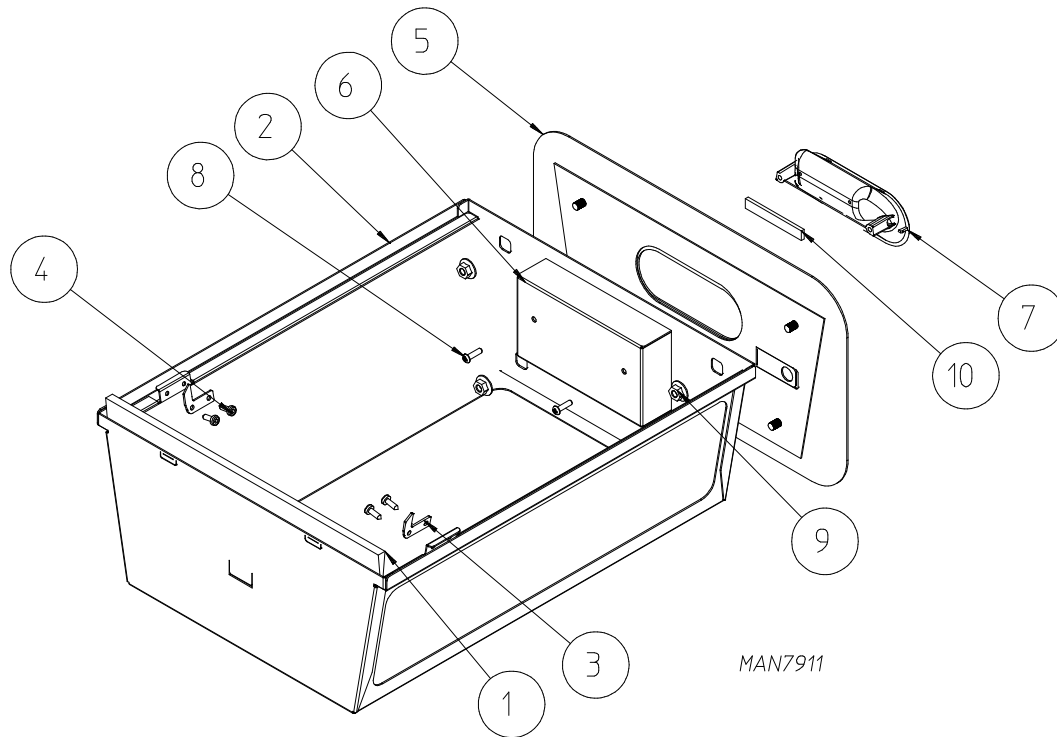
MAN7728

<u>Illus. No.</u>	<u>Part No.</u>	<u>Qty.</u>	<u>Description</u>
1	185650	1	Rear Bulkhead
2	180050	1	Rear Left Roller Wheel
3	180050	1	Rear Right Roller Wheel Assembly
4	828301	1	Rear Support Panel Stud Assembly
5	121010	2	14-4 Terminal Lug
6	120728	1	Quick-Conn Term Block 4 Pole
7	153021	2	1/4" Ext/Int Shakeproof Washer
8	152002	1	1/4-20 Hex Nut
9	315435	1	Rear Electrical Box
10	185467	1	Electrical Cover
11	150331	7	#8-18 x 1/2" T20 TORX®
12	828238	1	Sail Switch Assembly Linkageless
13	814896	1	Sail Switch Only
14	815207	1	Axial Temp Sensor
15	153022	2	#10 Flat Washer
16	315434	1	Thrust Bearing Box
17	152014	6	1/4-20 Serrated Hex Flange Nut
18	183112	1	High-Limit Thermostat
19	815128	1	Heat Duct

Lint Box Assembly

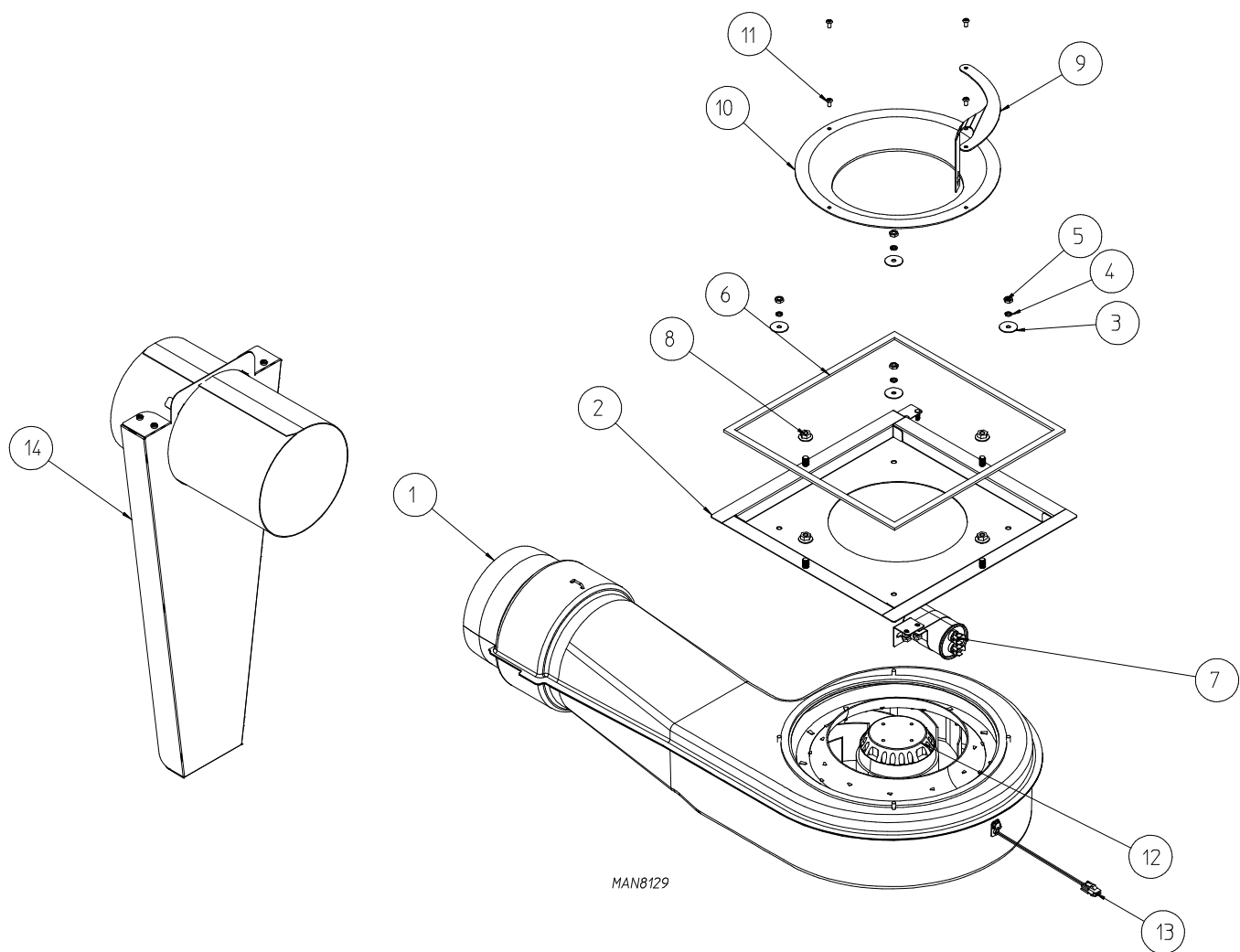


<u>Illus. No.</u>	<u>Part No.</u>	<u>Qty.</u>	<u>Description</u>
1	814525	1	Lint Box Assembly Complete
2	185216	1	Molded Lint Rail (left)
	185215	1	Molded Lint Rail (right)
3	154200	8	5/32" Pop Rivet
4	819523	1	Lint Drawer Switch Bracket Assembly
5	153073	2	#8-32 Keps Nut
6	814527	1	Lint Box Top Panel
7	130119	1	L190 Auto Reset Thermostat
8	153073	2	#8-32 Keps Nut
9	154200	10	5/32" Pop Rivet
10	102331	1	Lint Drawer Gasket
11	102004	1	Magnet



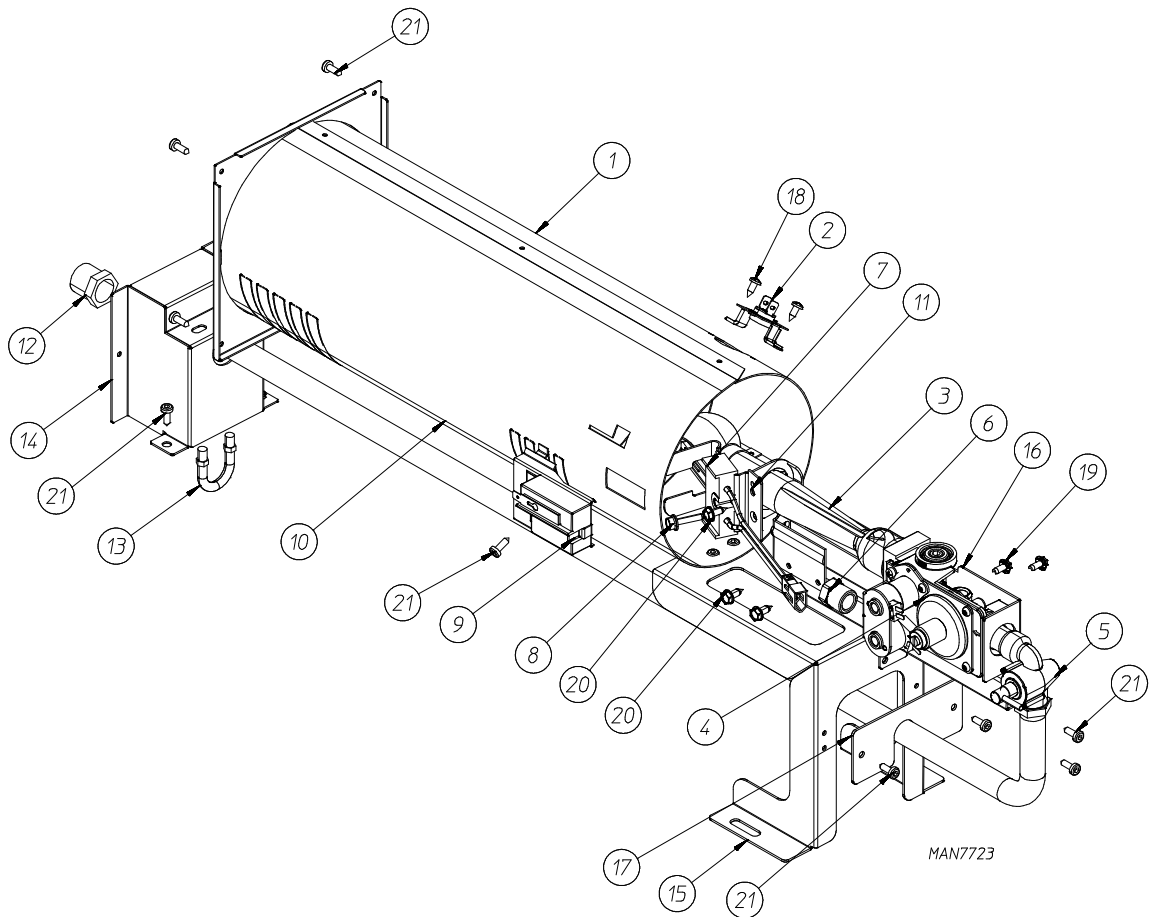
<u>Illus. No.</u>	<u>Part No.</u>	<u>Qty.</u>	<u>Description</u>
1	170169	1	Brush
2	828428	1	Lint Drawer Assembly Complete
3	185423	2	Lint Drawer Stop
4	150331	4	#8-18 x 1/2" Pan Head TORX® Screw
5	828427	1	Lint Drawer Handle Face
6	333693	1	Handle Cup
7	185148	1	Handle
8	150334	2	#8-16 x 5/8" Phillips Pan Head Plastic Screw
9	152014	4	1/4-20 Serrated Hex Flange Nut
10	117604	1	Sponge Tape

Blower Assembly



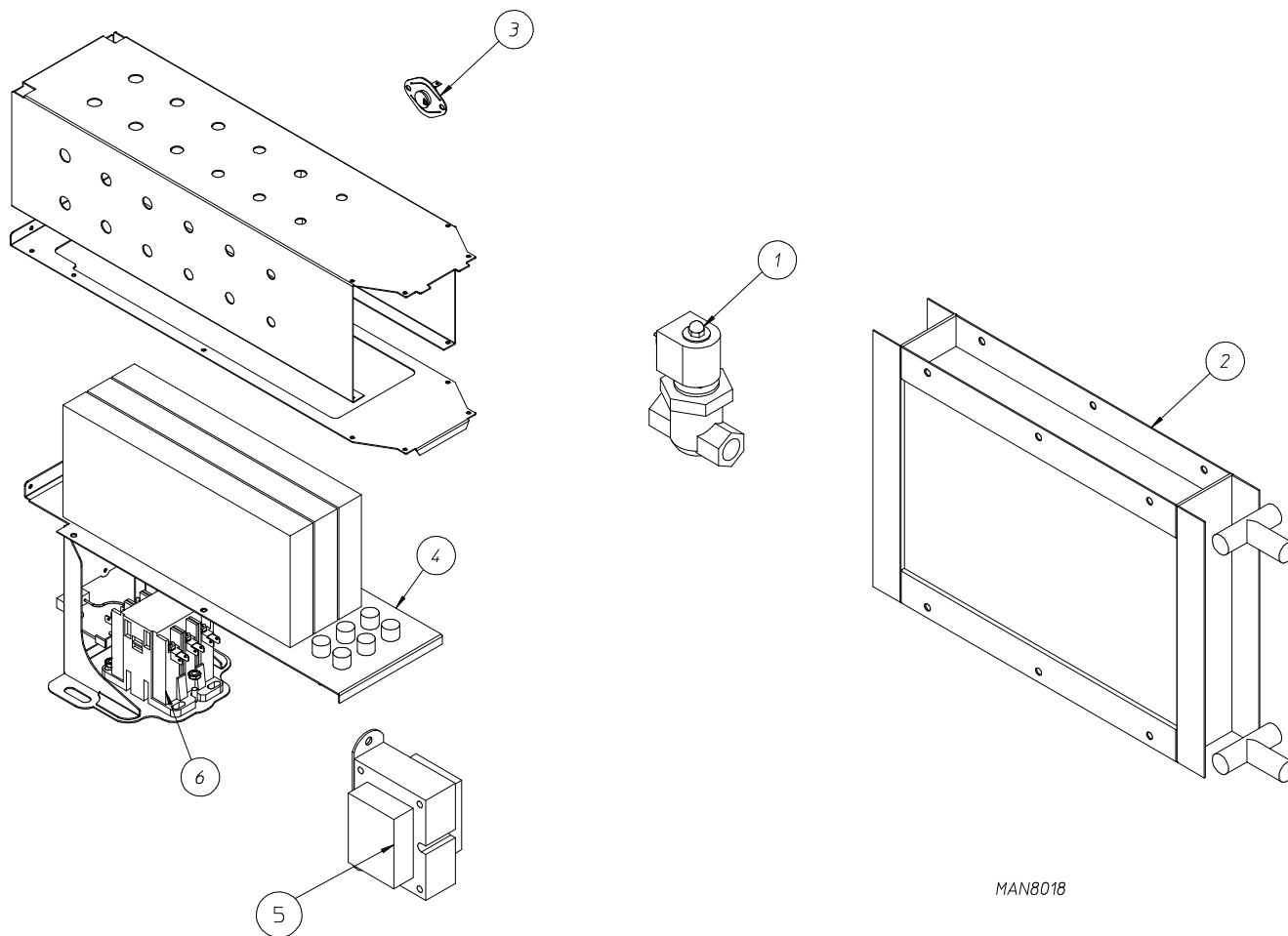
MAN8129

<u>Illus. No.</u>	<u>Part No.</u>	<u>Qty.</u>	<u>Description</u>
1	814493	1	Blower Assembly Complete 120 Volts (includes illus. nos. 1 through 13)
	815182	1	Blower Assembly Complete 208-240 Volts (includes illus. nos. 1 through 13)
2	815140	1	Blower Transition Plate Assembly
3	153049	4	3/4" Washer
4	153024	4	#10 Split Washer
5	152008	4	#10-32 Hex Nut
6	117604	-	1/8" x 3/8" Neo Sponge Tape ... (sold by the inch)
7	100683	1	20 MFD 440V Capacitor for 120V
	100682	1	5 MFD 440V Capacitor for 208-240V
8	152014	4	1/4-20 Hex Flange Nut
9	333677	1	Lint Blade for Low Voltage Motor
	333676	1	Lint Blade for High Voltage Motor
10	100647	1	Inlet Ring
11	154200	4	5/32" Pop Rivet
12	887029	1	115V Motorized Impellor (includes illus. no. 7)
	887031	1	230V Motorized Impellor (includes illus. no. 7)
13	830333	1	Exhaust Temperature Probe Assembly
14	814507	1	Exhaust Extension



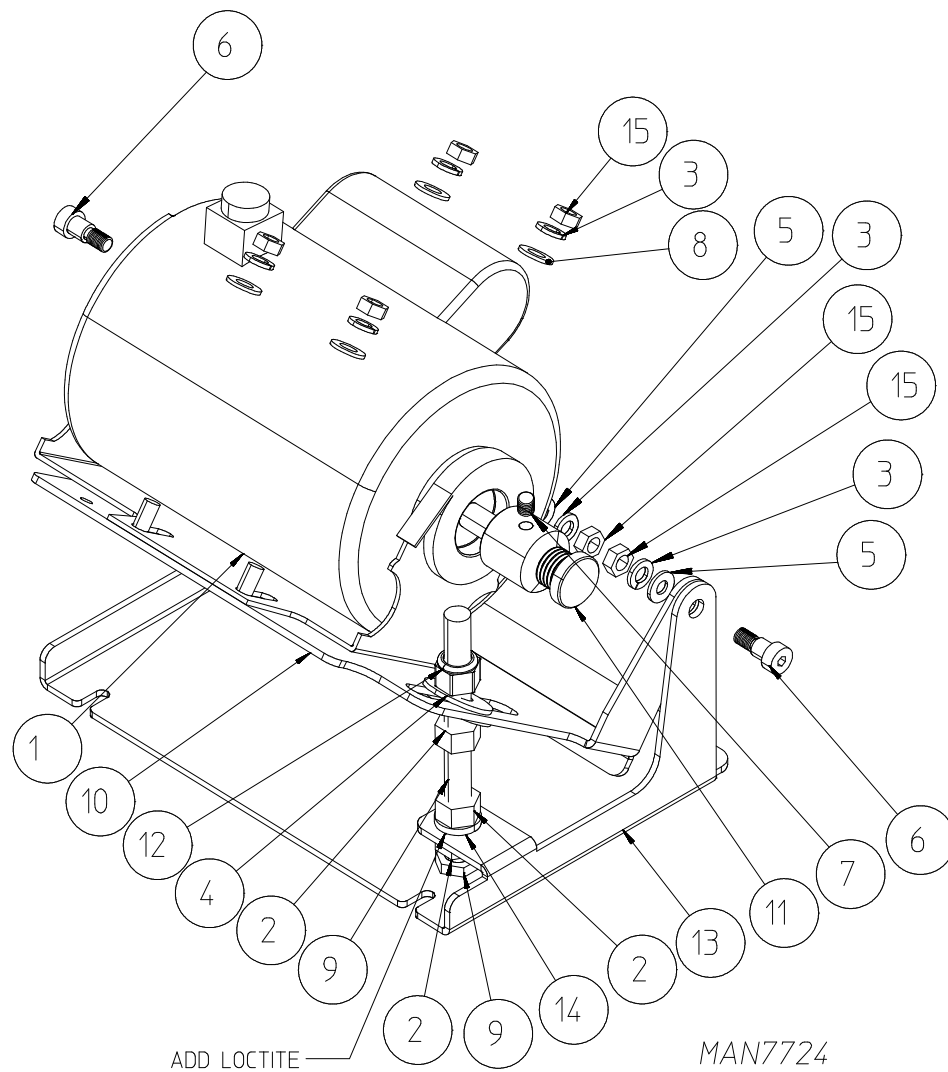
<u>Illus. No.</u>	<u>Part No.</u>	<u>Qty.</u>	<u>Description</u>
1	819164	1	Burner Tube – Hot Surface Ignition
2	183112	1	Thermostat, Gas High-Limit
3	183144	1	Inshot Burner Tube, Hot Surface Ignition
4	128981	1	Hi Capacity Gas Valve 60 Hz
	887295	1	Liquid Propane Conversion Kit (includes illus. no. 6)
5	141318	1	3/8" 90° Union Shutoff
6	143357	1	Natural Gas Burner Orifice #23
	140799	1	Liquid Propane Gas Burner Orifice #42
7	128910	1	Globar®
8	183145	1	#8-32 x 7/8" Hex Screw with Washer
9	130500	1	Radiant Control
10	141262	1	3/8" N.P.T. Male 90° Gas Pipe
	142953	1	1/2" x 3/8" Reducer
11	185063	1	Ignitor Bracket
12	142953	1	Steel Bushing 3/8" x 1/2"
13	154356	1	U-Bolt for 3/8" Pipe
14	377003	1	Gas Pipe Bracket
15	319332	1	Gas Train Support
16	307090	1	Gas Valve Bracket
17	307093	1	Gas Pipe Stabilizer
18	150301	2	Phillips Pan Head Screw
19	152209	2	Plated Tapping Screw
20	152208	3	Sheet Metal Screw
21	150331	13	T-20 Pan Head Screw
	183132	1	Hot Surface Ignition Harness for Valve ... Not Illustrated

Electric Burner / Steam Assembly

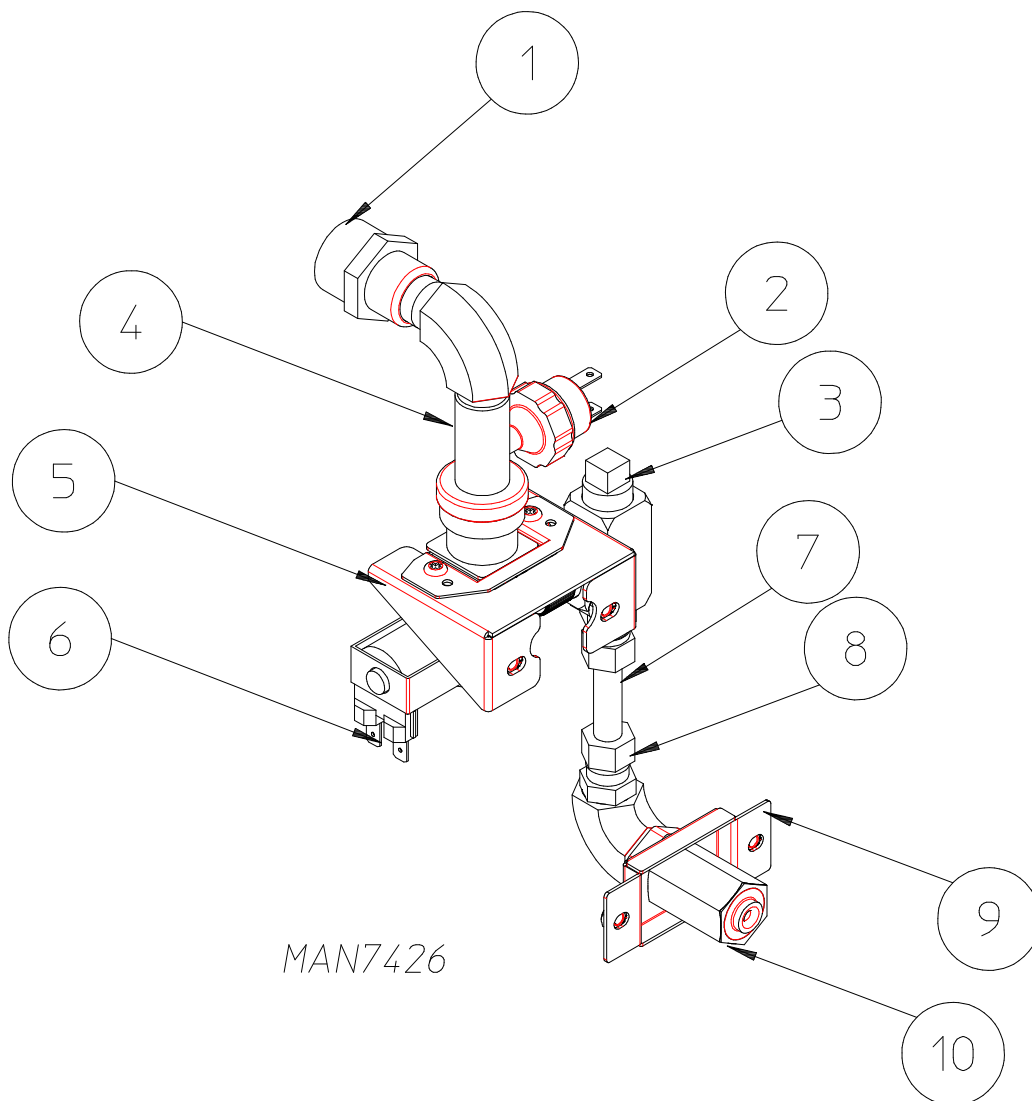


MAN8018

<u>Illus. No.</u>	<u>Part No.</u>	<u>Qty.</u>	<u>Description</u>
1	819579	1	Steam Valve Assembly 120V
	819545	1	Steam Valve Assembly 220V
2	165066	1	Copper Steam Coil
3	183112	1	High-Limit Thermostat
4	119995	1	Electric Element
5	819712	1	120V to 24V Transformer
	819251	1	208V to 24V Transformer
	819267	1	240V to 24V Transformer
	132029	1	208-240V to 120V Transformer
6	131352	1	40-amp 24V Contactor
	131357	1	50-amp 24V Contactor
	131321	1	30-amp 120V Contactor
	131325	1	50-amp 120V Contactor
	131322	1	30-amp 208-240V Contactor
	131324	1	40-amp 208-240V Contactor

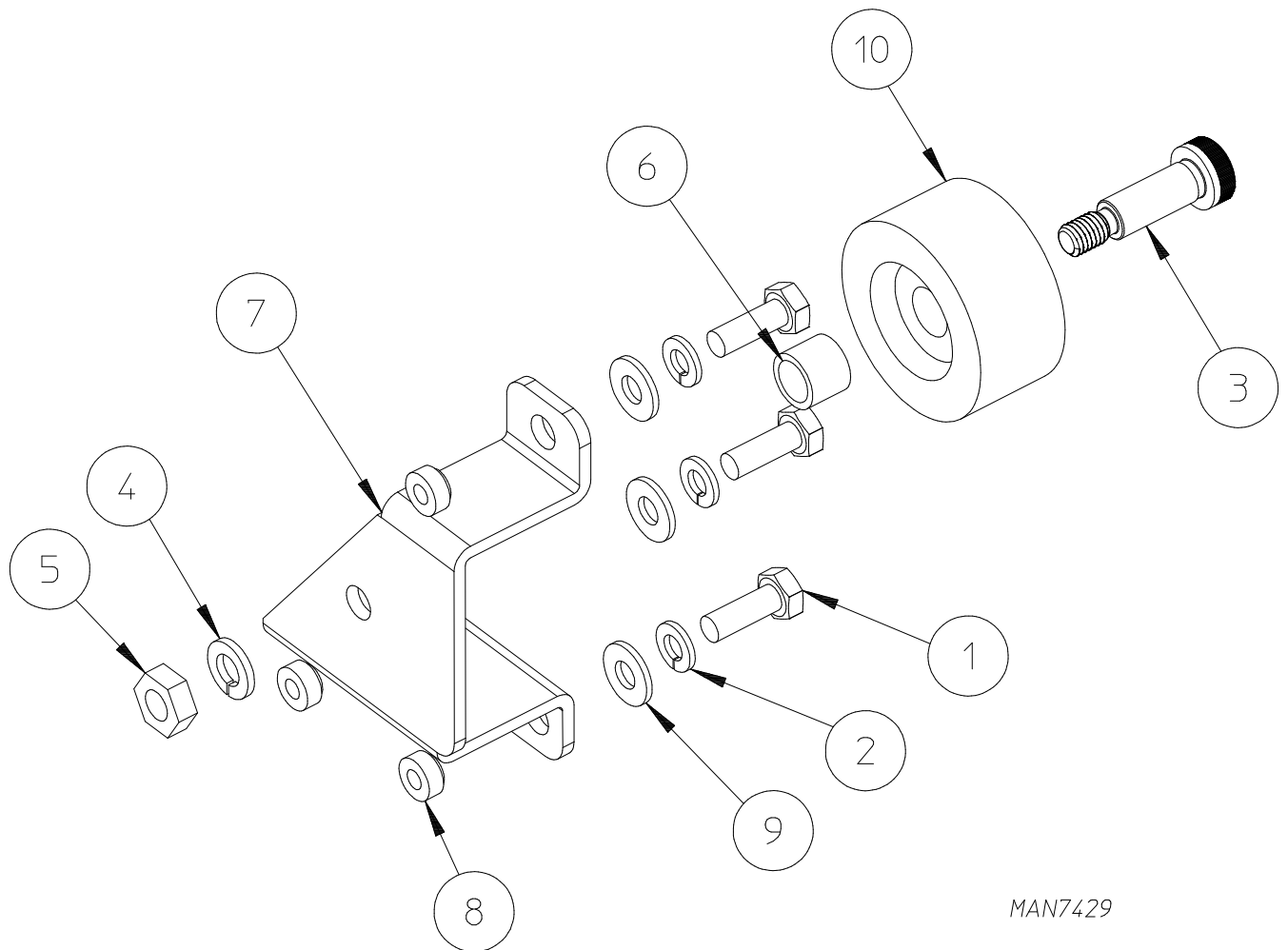


<u>Illus. No.</u>	<u>Part No.</u>	<u>Qty.</u>	<u>Description</u>
1	815036	1	Motor with Mount Assembly Complete
	887196	1	Motor with Sheave (60 Hz)
2	152011	3	1/2-13 Hex Nut
3	153002	6	5/16" Lock Washer
4	153011	2	9/16" ID Flat Washer
5	153018	2	1/4" Flat Washer
6	154266	2	3/8" x 3/8" Shoulder Screw
7	154321	1	5/16-24 x 3/8" Allen Setscrew
8	153001	4	5/16" Flat Washer
9	150616	1	1/2-13 x 5-1/2" Tap Bolt
10	819710	1	Motor Mount Stud Assembly
11	319933	1	Tumbler Sheave (60 Hz)
12	152028	1	1/2-13 Nylon Insert Lock Nut
13	319266	1	Motor Mount Base Plate
14	153026	1	1/2" Std Lock Washer
15	152004	6	5/16-18 Hex Nut



MAN7426

<u>Illus. No.</u>	<u>Part No.</u>	<u>Qty.</u>	<u>Description</u>
1	143025	1	3/8" x 3/4" NH Adaptor (For U.S. and Canada)
2	136987	1	Pressure Switch
3	143251	1	3/8" Plug
4	143182	1	Brass Tee
5	319231	1	Support Bracket
6	165120	1	Water Valve
7	143099	1	3/8" OD Copper Tubing
8	143208	1	3/8" Brass Connector
9	318422	1	S.A.F.E. Bracket
10	143581	1	Spray Nozzle



MAN7429

<u>Illus. No.</u>	<u>Part No.</u>	<u>Qty.</u>	<u>Description</u>
1	150510	3	1/4-20 x 3/4" Hex Head Machine Bolt
2	153007	3	1/4" Lock Washer
3	154264	1	M10 x 25mm Shoulder Screw
4	153002	1	5/6" Lock Washer
5	154013	1	M8 Hex Nut
6	154284	1	Tumbler Wheel Spacer
7	318233	1	Rear Right Roller Wheel Bracket
	318232	1	Rear Left Roller Wheel Bracket ... Not Illustrated
	318532	1	Front Right Roller Wheel Bracket ... Not Illustrated
	318531	1	Front Left Roller Wheel Bracket ... Not Illustrated
8	153564	3	1/4-20 Clinch Nut
9	153018	3	1/4" Flat Washer
10	180050	1	Wheel

