



MDG51 / MDG77  
Parts Manual  
Phase 8

---

---

For Internal Use Only

---

---

**RETAIN THESE INSTRUCTIONS IN A SAFE PLACE  
FOR FUTURE REFERENCE**

**Whirlpool Corporation**  
Commercial Laundry  
Benton Harbor, MI 49022  
1-800-662-3587

# Retain This Manual In A Safe Place For Future Reference

This product embodies advanced concepts in engineering, design, and safety. If this product is properly maintained, it will provide many years of safe, efficient, and trouble free operation.

***ONLY properly licensed technicians should service this equipment.***

**OBSERVE ALL SAFETY PRECAUTIONS** displayed on the equipment or specified in the installation manual included with the dryer.

The following "FOR YOUR SAFETY" caution must be posted near the dryer in a prominent location.

## FOR YOUR SAFETY

Do not store or use gasoline or other flammable vapors and liquids in the vicinity of this or any other appliance.

## POUR VOTRE SÉCURITÉ

Ne pas entreposer ni utiliser d'essence ni d'autres vapeurs ou liquides inflammables à proximité de cet appareil ou de tout autre appareil.

We have tried to make this manual as complete as possible and hope you will find it useful. The manufacturer reserves the right to make changes from time to time, without notice or obligation, in prices, specifications, colors, and material, and to change or discontinue models.

## Important

For your convenience, log the following information:

DATE OF PURCHASE \_\_\_\_\_ MODEL NO. \_\_\_\_\_

DISTRIBUTOR'S NAME \_\_\_\_\_

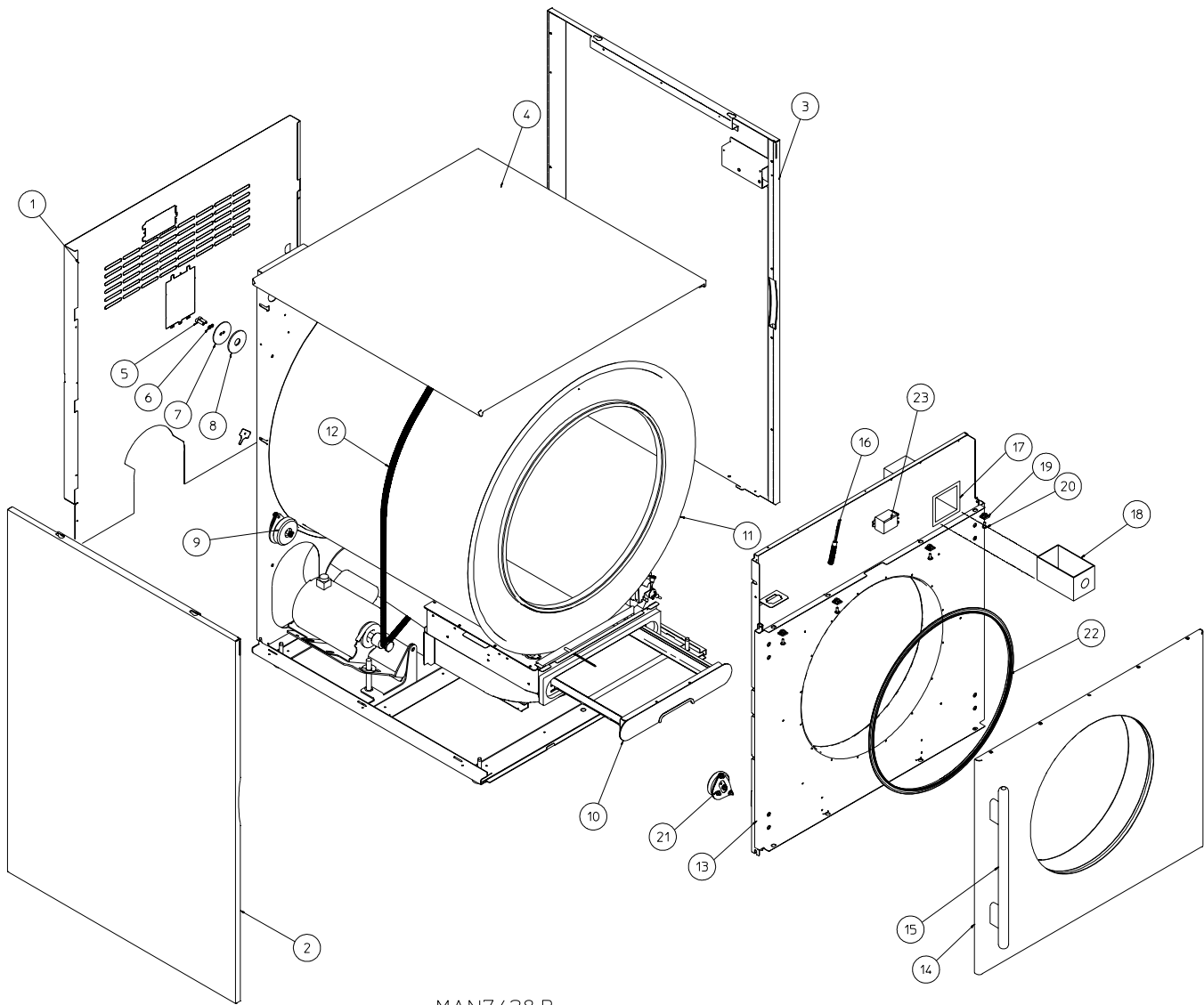
Serial Number(s) \_\_\_\_\_

\_\_\_\_\_

\_\_\_\_\_



# Parts Diagram

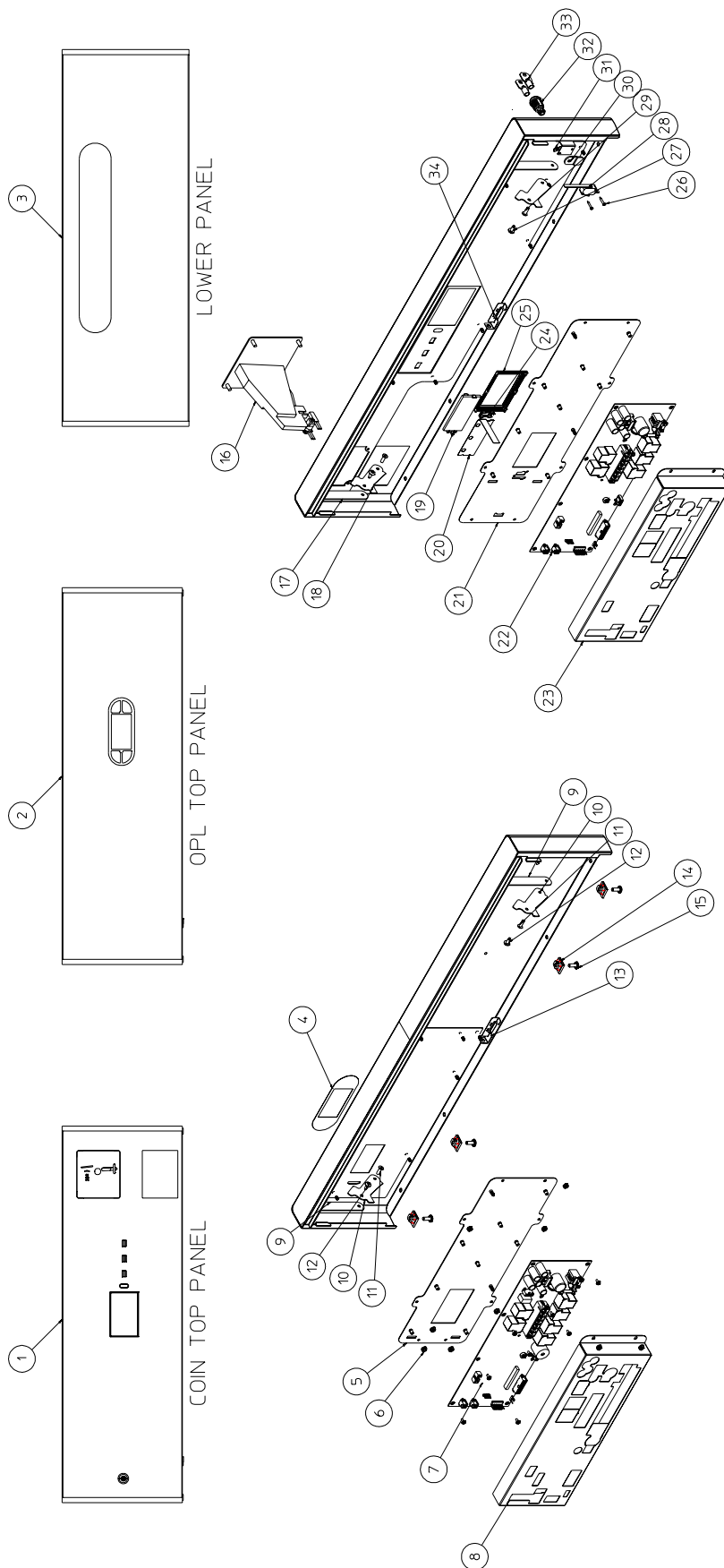


MAN7428.B

<u>Illus. No.</u>	<u>Part No.</u>	<u>Qty.</u>	<u>Description</u>
1	851399	1	MDG51 / MDG77 Back Guard Assembly for Gas and Electric (for models mfd. as of July 27, 2005)
2	851253	1	MDG51 Left Side Panel Assembly
	851345	1	MDG77 Left Side Panel Assembly
3	851255	1	MDG51 Right Side Panel Assembly
	851343	1	MDG77 Right Side Panel Assembly
4	851268	1	MDG51 Top Panel Assembly
	851367	1	MDG77 Top Panel Assembly
5	153064	2	1/4-20 x 1/2" Socket Cap Screw
6	153072	2	1/4" High Collar Lock Washer
7	185426	1	Dual Screw Backup Washer
8	153048	2	Inner Friction Pad
	354217	1	3/4" Plate Spacer ... Not Illustrated
	185240	1	Extended Tumbler Shaft ... Not Illustrated
9	851372	2	Rear Wheel Bracket Assembly (for models without banded tumbler)
	851562	2	Rear Wheel Bracket Assembly (for models with banded tumbler)
	180060	1	3-1/2" Wheel ONLY ( <b>for wheel hardware refer to page 14</b> )
10	819295*	1	Large Lint Drawer Assembly (painted)
	851380	1	Large Lint Drawer Assembly (stainless steel)
11	851374	1	MDG51 Galvanized Tumbler
	851376	1	MDG77 Galvanized Tumbler
	851557	1	MDG51 Stainless Steel Tumbler with Band
	851555	1	MDG77 Stainless Steel Tumbler with Band
12	102410	1	MDG51 / MDG77 15 Rib Drive Belt (for all MDG77 and MDG51 models mfd. as of February 3, 2006)
	102409	1	MDG51 12 Rib Drive Belt (for MDG51 models mfd. prior to February 3, 2006)
13	887197	1	MDG51 / MDG77 Non-Coin Mid Support Panel with Auto (black)
	887198	1	MDG51 / MDG77 Non-Coin Mid Support Panel with Auto (white)
	887201	1	MDG51 / MDG77 Non-Coin Mid Support Panel with Auto (stainless steel)
	887202	1	MDG51 / MDG77 Coin Mid Support Panel (black)
	887199	1	MDG51 / MDG77 Coin Mid Support Panel (white)
	887200	1	MDG51 / MDG77 Coin Mid Support Panel (stainless steel)
14	851351*	1	Main Door Assembly Complete with Handle (painted)
	851532	1	Main Door Assembly Complete with Handle (stainless steel)
	103067	3	Door Hinge ... Not Illustrated
15	884360*	1	Main Door Handle
16	851528	1	Rotation Sensor (for models mfd. as of April 5, 2006)
	818370	1	Rotation Sensor (for models mfd. prior to April 5, 2006)
17	851384	1	Coin Vault
	122002	1	Coin Vault Switch ... Not Illustrated
18	125916	1	Coin Box with 2 Keys (Note: each lock keyed different)
19	154061	4	Tinnerman U-Nut Retainer
20	183129	4	#10-32 x 1/2" T20 Truss Head
21	851371	2	Front Wheel Bracket Assembly (for models without banded tumbler)
	851530	2	Front Wheel Bracket Assembly (for models with banded tumbler)
	180060	1	3-1/2" Wheel ONLY ( <b>for wheel hardware refer to page 14</b> )
22	102397	1	MDG51 / MDG77 Door Gasket
23	131819	1	DPDT Reversing Relay 120V
	131818	1	DPDT Reversing Relay 208-240V

\* Specify color when ordering.

# Parts Diagram

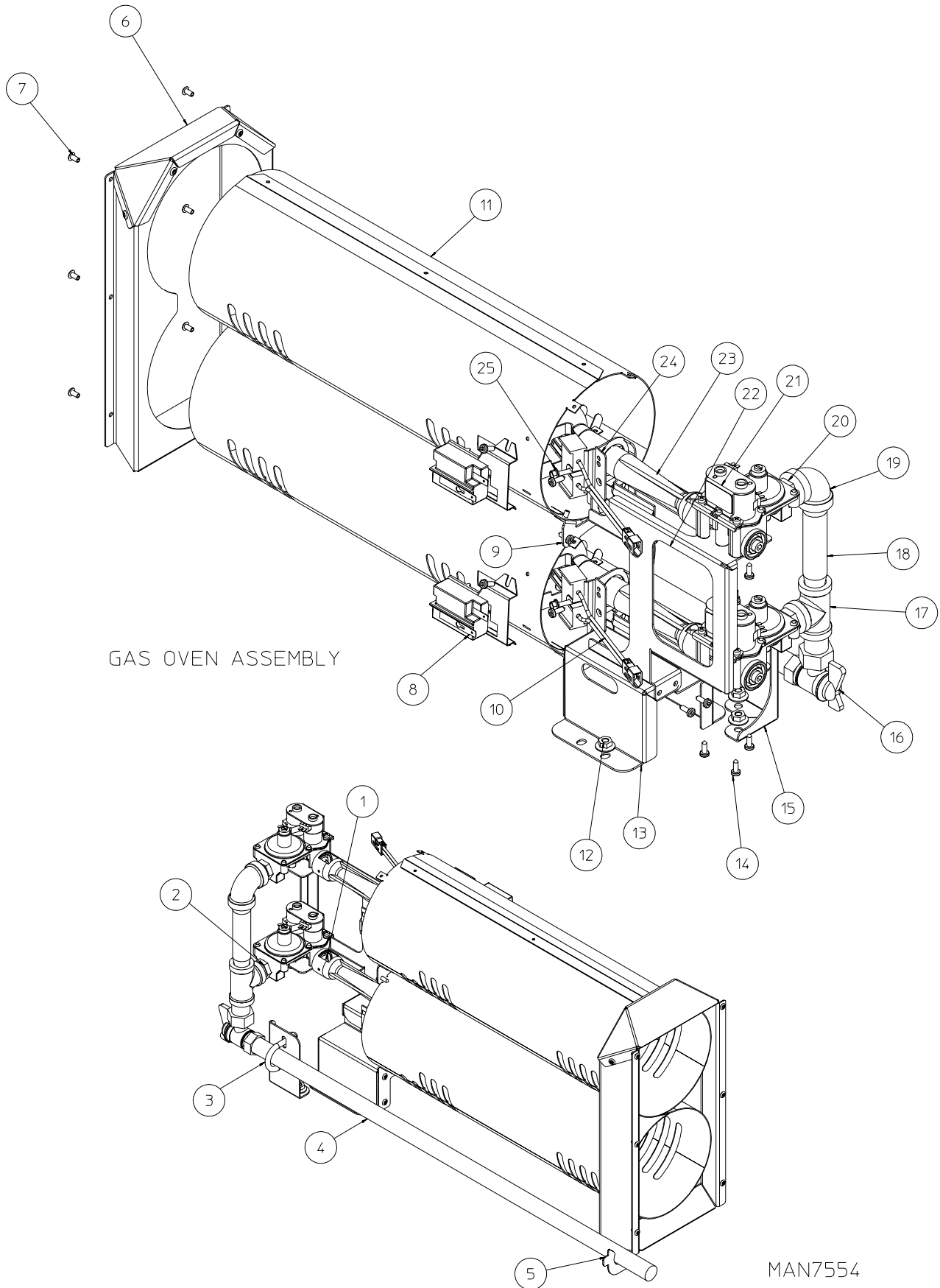


MAN7559

<u>Illus. No.</u>	<u>Part No.</u>	<u>Qty.</u>	<u>Description</u>
1	851513	1	Phase 8 Coin Control Panel Assembly Complete
	851526	1	Phase 8 Coin Control Panel ONLY
2	851518	1	Phase 8 Non-Coin Control Panel Assembly Complete
	851517	1	Phase 8 Non-Coin Control Panel ONLY
3	185121*	1	Lower Panel (painted)
	185122	1	Lower Panel (stainless steel)
4	112586	1	Phase 8 Non-Coin Keypad
5	819508	1	Non-Coin Control Mount Assembly
6	153073	9	Nut with Washer
7	887092	1	Non-Coin Phase 8 Microprocessor without Fire Suppression System
	887094	1	Non-Coin Phase 8 Microprocessor with Fire Suppression System
8	350250	1	Computer Board Cover
9	350203	2	Strain Relief Door Guide Strip
10	350204	2	Strain Relief Cabinet Guide Strip
11	154220	4	Button Head Pop Rivet
12	150313	2	#10-16 x 1/2" TORX® Screw
13	819196	1	Main Door Switch Assembly
	813411	1	Door Switch Extension Harness ... Not Illustrated
14	154061	4	Tinnerman U-Nut Retainer
15	183129	4	#10-32 x 1/2" T20 Truss Head
16	818213	1	25¢ Coin Acceptor Assembly with Optic Switch
	887041	1	Optic Switch ONLY (for 25¢ coin acceptor)
17	350203	2	Strain Relief Door Guide Strip
18	350204	2	Strain Relief Cabinet Guide Strip
19	112551	1	Coin Display Button
20	112588	1	Membrane Switch
21	819421	1	Phase 8 Display Mount Assembly
22	887101	1	Phase 8 Coin (microprocessor Only / no fire suppression system)
	136116	–	3-Amp Fuse
	136056	–	20-Amp Fuse
23	350250	1	Phase 8 Computer Board Cover
24	135008	1	Tinted IR Cover
25	112549	1	Clear Display Cover
26	150303	2	Phillips Pan Head Screw (for models mfd. prior to December 21, 2010)
27	150313	2	#10-16 x 1/2" TORX® Screw
28	122200	1	Microswitch (for models mfd. prior to December 21, 2010)
29	154220	4	3/16" Steel Button Head Pop Rivet
30	160066	1	Offset Cam for Lock (for models mfd. prior to December 21, 2010)
31	154004	1	Twin Speed Nut (for models mfd. prior to December 21, 2010)
32	160070	1	Key Lock Switch (for models mfd. as of December 21, 2010)
	160069	1	ZB7 Lock (for models mfd. prior to December 21, 2010)
33	160169	2	ZB7 Key
34	819196	1	Main Door Switch Assembly
	813411	1	Door Switch Extension Harness ... Not Illustrated

\* Specify color when ordering.

# Parts Diagram

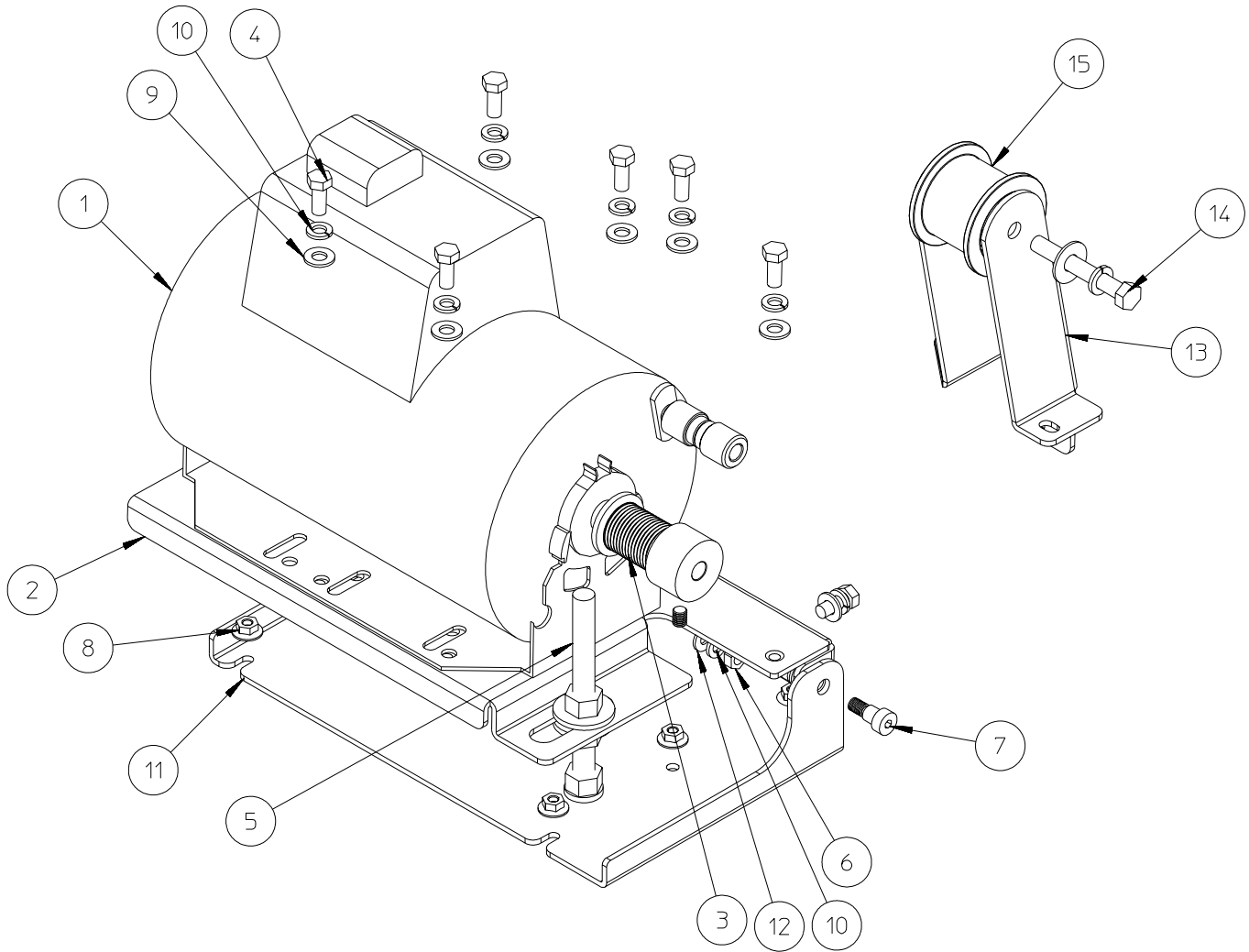




<u>Illus. No.</u>	<u>Part No.</u>	<u>Qty.</u>	<u>Description</u>
1*	140877	2	MDG51 #29 Orifice Natural Gas
	140880	2	MDG77 #22 Orifice Natural Gas
	140881	2	MDG51 #47 Orifice Liquid Propane
	140905	2	MDG77 #44 Orifice Liquid Propane
	884248	1	MDG51 Liquid Propane Conversion Kit
	884249	1	MDG77 Liquid Propane Conversion Kit
	2	183137	2
3	154355	1	U-Bolt with Nuts for 1/2" Black Pipe
4	143344	1	MDG51 1/2" x 26" Black Pipe ONLY
	142636	1	MDG77 1/2" x 36" Black Pipe ONLY
5	350226	1	Rear Gas Pipe Support
6	851387	1	Burner Funnel Transition Assembly
7	154200	14	5/32" Pop Rivet
8	130500	2	Radiant Heat Sensor
9	350217	1	Burner Funnel Top Lip Bracket
10	128910	2	Hot Surface Ignitor
11	851386	1	MDG51 60 Hz Natural Gas Dual Burner Assembly
	851389	1	MDG51 50 Hz Natural Gas Dual Burner Assembly
	851390	1	MDG77 60 Hz Natural Gas Dual Burner Assembly
	851391	1	MDG77 50 Hz Natural Gas Dual Burner Assembly
	350219	2	MDG51 Round Gas Burner Funnel
	350223	2	MDG77 Round Gas Burner Funnel
	12	152014	4
13	350221	1	Dual Round Gas Burner Support Bracket
14	150331	19	#8-18 x 1/2" Pan Head TORX® Screw
15	350253	1	Front Gas Pipe Bracket
16	881367	1	Gas Shutoff Assembly
17	142820	1	1/2" x 1/2" x 1/2" Black Iron Tee
18	142703	1	1/2" x 4" Black Iron Pipe
19	142500	1	1/2" 90° Elbow
20	142953	2	3/8" x 1/2" Steel Bushing
	128944	2	25M Gas Valve 120 VAC 60 Hz
21	128907	2	25M Gas Valve 120 VAC 50 Hz
	350220	1	Dual Gas Valve Bracket
22	183144	2	In-Shot Tube
23	185063	2	Ignitor Bracket
24	183145	2	Hot Surface Ignitor Mounting Screw

\* Consult factory for elevation over 2,000 feet for correct burner orifice size.

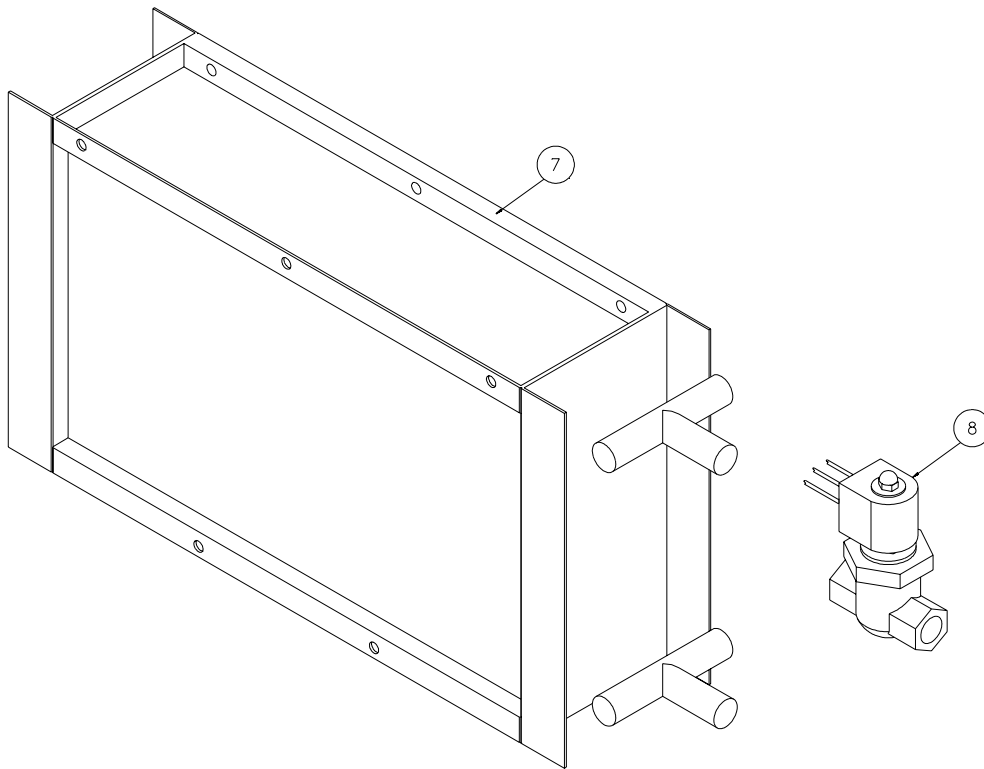
# Parts Diagram



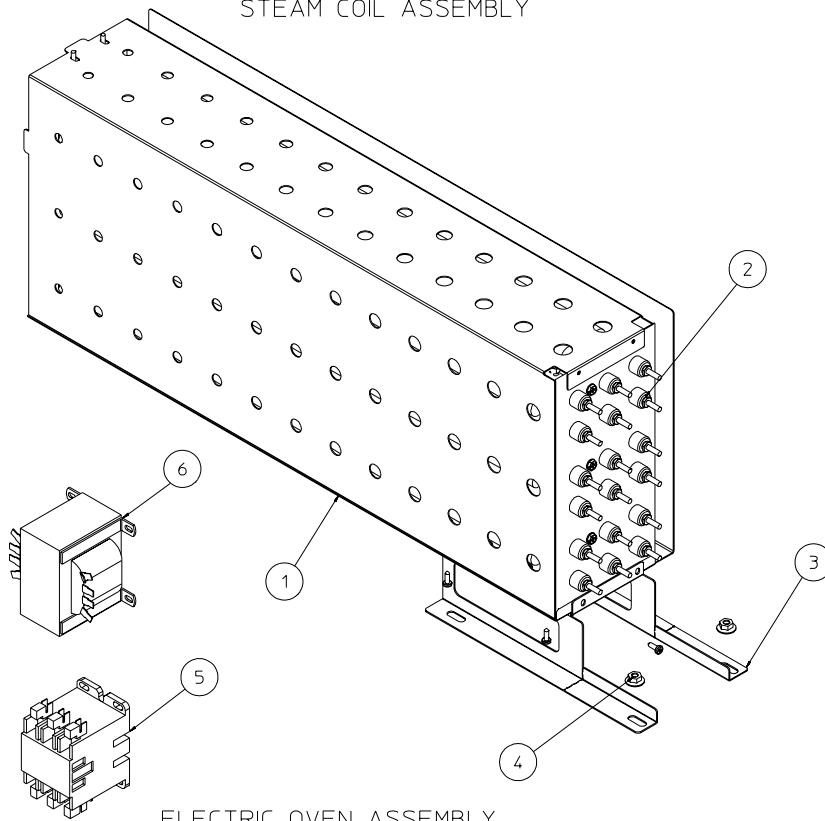
MAN7556

## Drive Motor Assembly

<u>Illus. No.</u>	<u>Part No.</u>	<u>Qty.</u>	<u>Description</u>	
1	851570	1	MDG77 Motor Assembly with Mount (for all 60 Hz models except 208 volt)	
	851544	1	MDG77 Motor Assembly with Mount (for 208 volt 60 Hz)	
	851545	1	MDG77 Motor Assembly with Mount (for all 50 Hz models)	
	851570	1	MDG51 Motor Assembly with Mount (for 60 Hz models mfd. as of February 3, 2006)	
	851545	1	MDG51 Motor Assembly with Mount (for 50 Hz models mfd. as of February 3, 2006)	
	851286	1	MDG51 Motor Assembly with Mount (for 60 Hz models mfd. prior to February 3, 2006)	
	851315	1	MDG51 Motor Assembly with Mount (for 50 Hz models mfd. prior to February 3, 2006)	
	181122	1	Drive Motor (for all models except MDG77 208 volt 60 Hz)	
	181127	1	Drive Motor (for MDG77 208 volt 60 Hz)	
	2	851543	1	Motor Mount Plate Assembly (for models mfd. as of August 2, 2006)
851285		1	Motor Mount Clinch Nut Assembly (for models mfd. prior to August 2, 2006)	
3	185420	1	MDG51 / MDG77 15 Rib 60 Hz Motor Sheave (for all MDG77 and MDG51 models mfd. as of February 3, 2006)	
	185462	1	MDG51 / MDG77 15 Rib 50 Hz Motor Sheave (for all MDG77 and MDG51 models mfd. as of February 3, 2006)	
	350266	1	MDG51 12 Rib 60 Hz Motor Sheave (for models mfd. prior to February 3, 2006)	
	350267	1	MDG51 12 Rib 50 Hz Motor Sheave (for models mfd. prior to February 3, 2006)	
	154321	1	5/16-24 x 3/8" Setscrew	
	170733	1	Loctite ... Not Illustrated	
	4	150501	7	5/16-18 x 3/4" Hex Head Bolt
5	150609	1	1/2-13 x 4-1/2" Bolt (for models mfd. as of August 2, 2006)	
	150616	1	1/2-13 x 5-1/2" Bolt (for models mfd. prior to August 2, 2006)	
	152011	3	1/2-13 Hex Nut	
	153033	2	1/2" x 1-3/8" Flat Washer	
	6	152004	2	5/16-18 Hex Nut
	7	154266	2	5/16-18 Shoulder Bolt
8	152014	5	Free Spin Wash Nut	
9	153001	7	Flat Washer	
10	153002	9	Split Lock Washer	
11	350301	1	Motor Mount Base Assembly (for models mfd. as of August 2, 2006)	
	851284	1	Motor Mount Base Assembly (for models mfd. prior to August 2, 2006)	
12	153018	2	1/4" Flat Washer	
13	851510	1	Idler Arm (for models mfd. prior to August 2, 2006)	
	150634	1	3/8" x 2-3/4" Hex Cap Screw (for models mfd. prior to August 2, 2006)	
14	153004	1	1" Flat Washer (for models mfd. prior to August 2, 2006)	
	153005	1	3/8" Lock Washer (for models mfd. prior to August 2, 2006)	
	100281	1	Idler Wheel (for models mfd. prior to August 2, 2006)	



STEAM COIL ASSEMBLY

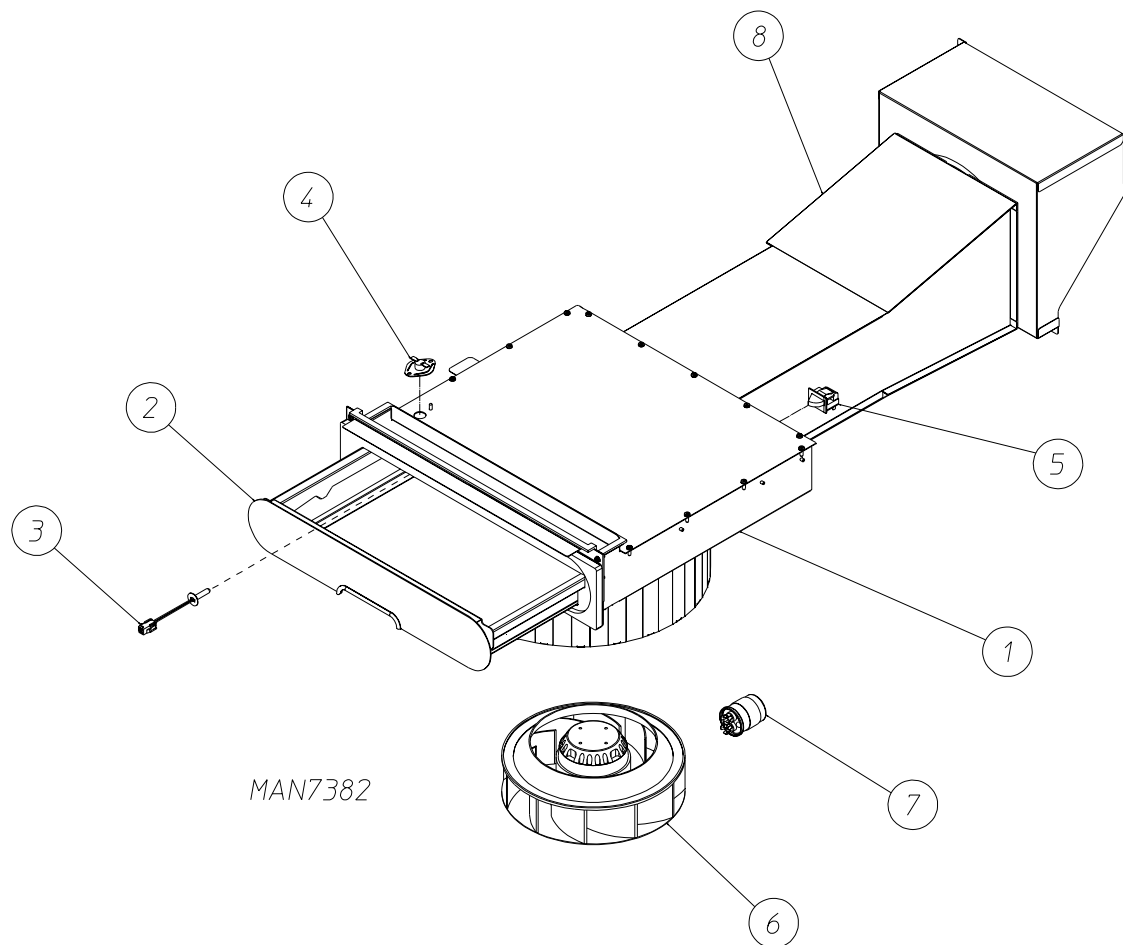


ELECTRIC OVEN ASSEMBLY

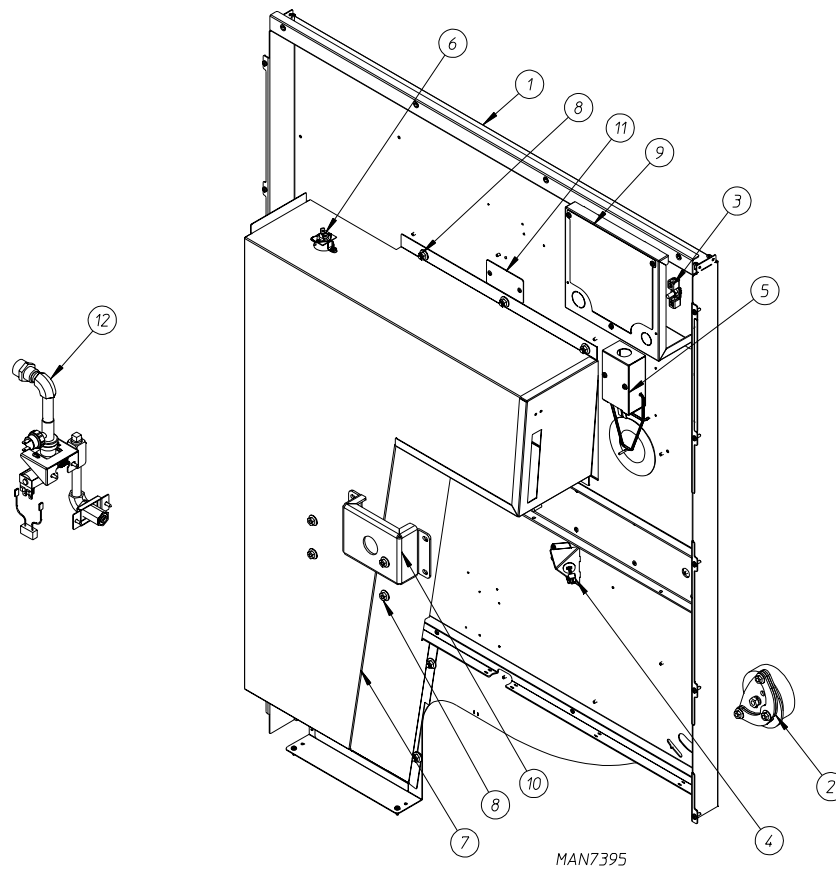
MAN7555

<u>Illus. No.</u>	<u>Part No.</u>	<u>Qty.</u>	<u>Description</u>
1	851395	1	MDG51 Electric Oven Assembly 200-415v
	851396	1	MDG77 Electric Oven Assembly 200-415v
2	119996	1	MDG51 16 kW Element
	119997	1	MDG77 22 kW Element
3	350230	1	Electric Oven Support Bracket
4	152014	2	Free Spin Wash Nut
5	131322	1	208/240v 30A Contactor 50/60 Hz
	131323	1	120v 40A Contactor 50/60 Hz
	131324	1	208/240v 40A Contactor 50/60 Hz
	131325	1	120v 50A Contactor 50/60 Hz
	131329	1	120v 75A Contactor 50/60 Hz
	131330	1	208/240v 75A Contactor 50/60 Hz
6	132029	1	Auto Transformer
7	165067	1	Copper Steam Coil
8	813415	1	Steam Solenoid Phase 8 Assembly 120v
	813416	1	Steam Solenoid Phase 8 Assembly 220-240v

# Parts Diagram / List

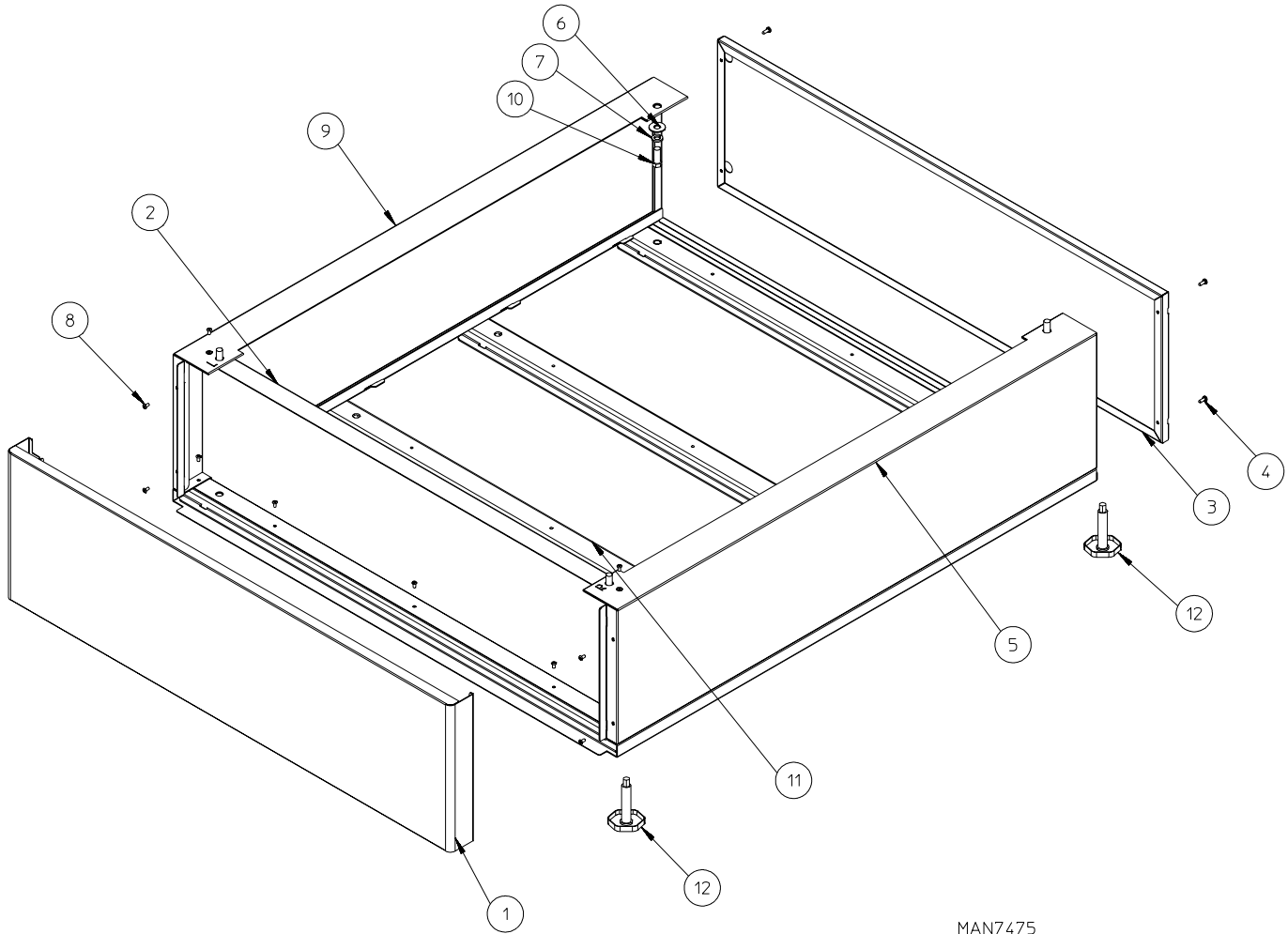


<u>Illus. No.</u>	<u>Part No.</u>	<u>Qty.</u>	<u>Description</u>
1	819299	1	Large Lint Box Assembly (includes illus. nos. 3 through 5)
2	819295	1	Large Cold Rolled Steel Lint Drawer Assembly
3	818369	1	Exhaust Temperature Probe Assembly
4	130119	1	190° Exhaust Hi-Limit Sensor
5	122002	1	Lint Drawer Switch
6	851242	1	115v Impellor and Capacitor Assembly
	851243	1	230v Impellor and Capacitor Assembly
	150691	4	Impellor Mounting Screw ... Not Illustrated
	153007	4	Lock Washer for Impellor Mounting Screw ... Not Illustrated
7	100618	1	Capacitor for 115v Blower Impellor
	100670	1	Capacitor for 230v Blower Impellor
8	851292	1	MDG51 Blower Housing Complete Assembly
	851365	1	MDG77 Blower Housing Complete Assembly



Illus. No.	Part No.	Qty.	Description
1	851263	1	Gas and Electric Rear Tumbler Support Panel Assembly
	851401	1	Steam Rear Tumbler Support Assembly with Steam Coil
2	851372	2	MDG51 / MDG77 Rear Wheel Bracket Assembly
	851562	2	MDG51 / MDG77 Rear Wheel Bracket Assembly for Banded
	180060	1	3-1/2" Wheel ONLY
	154267	1	Shoulder Bolt
	154284	1	Tumbler Wheel Spacer
	154013	1	M8 Hex Nut
	153002	1	Lock Washer
	121010	2	Terminal Lug
3	121010	2	Terminal Lug
4	851258	1	Axial Probe Assembly
5	818570	1	Sail Switch Assembly Complete
	122200	1	Sail Switch ONLY
6	183112	1	205° Hi-Limit Sensor
7	851262	1	Heat Duct
8	152014	13	1/4-20 Free Spin Nut
9	350237	1	Rear Electric Box
	350238	1	Rear Electric Box Cover
10	350228	1	Thrust Bearing Box
11	318691	1	Cover Plate (for models without a fire suppression system)
12	851514	1	Fire Suppression System Assembly (for US and Canada)
	851515	1	Fire Suppression System Assembly (for export)
	165120	1	Fire Suppression System Valve
	136987	1	Water Pressure Switch
	143025	1	Nylon Hose Adaptor (for US and Canada)
	143177	1	Nylon 3/4" B.S.P.T. Adaptor (for export)
	819855	1	Cold Weather Package for Fire Suppression System ... Not Illustrated

# Parts Diagram



MAN7475



Pedestal Assembly

<u>Illus. No.</u>	<u>Part No.</u>	<u>Qty.</u>	<u>Description</u>
—	185381	1	MDG51 11" Stackable Pedestal Assembly (old P/N 851409) (includes illus. nos. 1 through 11)
—	185382	1	MDG77 11" Stackable Pedestal Assembly (old P/N 851411) (includes illus. nos. 1 through 11)

Bottom pedestal shown. Duplicate parts for top assembly.

1	185270	1	MDG51 / MDG77 11" Pedestal Front (old P/N 319582)
2	185269	1	MDG51 / MDG77 11" Pedestal Inner Support (old P/N 318584)
3	185271	1	MDG51 / MDG77 Stand Back (old P/N 350181)
4	153331	4	#8-18 x 1/2" Pan Head TORX® Screw
5	185299	1	MDG51 Stand Right Side (old P/N 319581)
	185266	1	MDG77 Stand Right Side (old P/N 318587)
6	153004	4	3/8" x 1" O.D. Flat Washer
7	153005	4	3/8" Split Lock Washer
8	154200	13	5/32" Pop Rivet
9	185298	1	MDG51 Stand Left Side (old P/N 319580)
	185265	1	MDG77 Stand Left Side (old P/N 319586)
10	150617	4	3/8-16 x 1" Hex Head Machine Bolt
11	185301	1	MDG51 Pedestal Base (old P/N 851408)
	185273	1	MDG77 Pedestal Base (old P/N 851410)
12	103500	4	Leveling Leg (lower pedestal Only)

