



MDG76PC

Parts Manual

Phase 7 Coin

**RETAIN THESE INSTRUCTIONS IN A SAFE PLACE
FOR FUTURE REFERENCE**

Whirlpool Corporation
Commercial Laundry
Benton Harbor, MI 49022
1-800-662-3587

Retain This Manual In A Safe Place For Future Reference

This product embodies advanced concepts in engineering, design, and safety. If this product is properly maintained, it will provide many years of safe, efficient, and trouble free operation.

ONLY qualified technicians should service this equipment.

OBSERVE ALL SAFETY PRECAUTIONS displayed on the equipment or specified in the installation manual included with the dryer.

The following “**FOR YOUR SAFETY**” caution must be posted near the dryer in a prominent location.

FOR YOUR SAFETY

Do not store or use gasoline or other flammable vapors and liquids in the vicinity of this or any other appliance.

POUR VOTRE SÉCURITÉ

Ne pas entreposer ni utiliser d'essence ni d'autres vapeurs ou liquides inflammables à proximité de cet appareil ou de tout autre appareil.

We have tried to make this manual as complete as possible and hope you will find it useful. The manufacturer reserves the right to make changes from time to time, without notice or obligation, in prices, specifications, colors, and material, and to change or discontinue models.

Important

For your convenience, log the following information:

DATE OF PURCHASE _____ MODEL NO. **MDG76PC**

DISTRIBUTOR'S NAME _____

Serial Number(s) _____

For replacement parts, contact the distributor from which the dryer was purchased or contact:

Whirlpool Corporation
Commercial Laundry
Benton Harbor, MI 49022
1-800-662-3587

The illustrations on the following pages may not depict your particular dryer exactly. The illustrations are a composite of the various dryer models. Be sure to check the descriptions of the parts thoroughly before ordering.

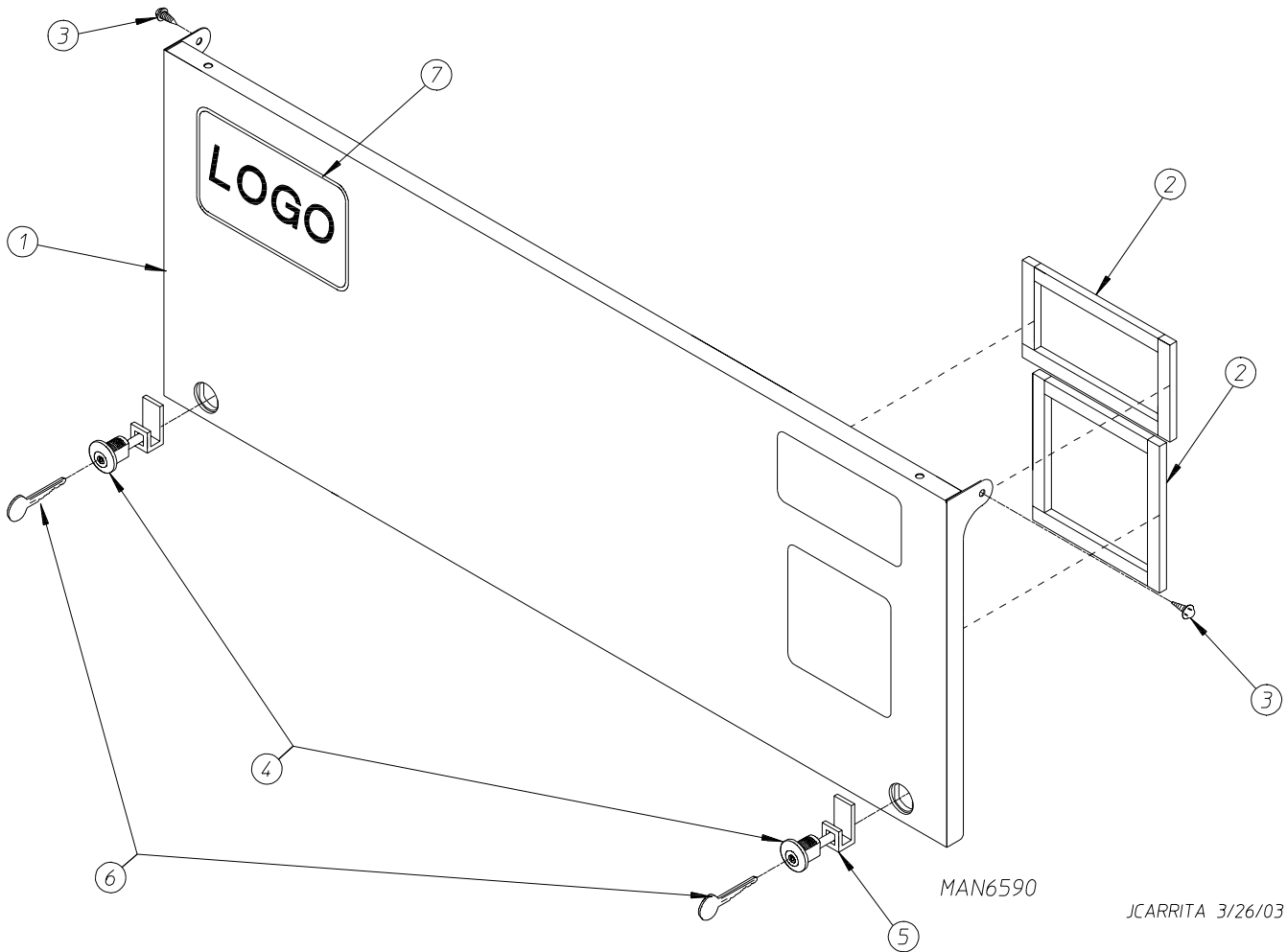
“IMPORTANT NOTE TO PURCHASER”

Information must be obtained from your local gas supplier on the instructions to be followed if the user smells gas. These instructions must be posted in a prominent location near the dryer.

Table of Contents

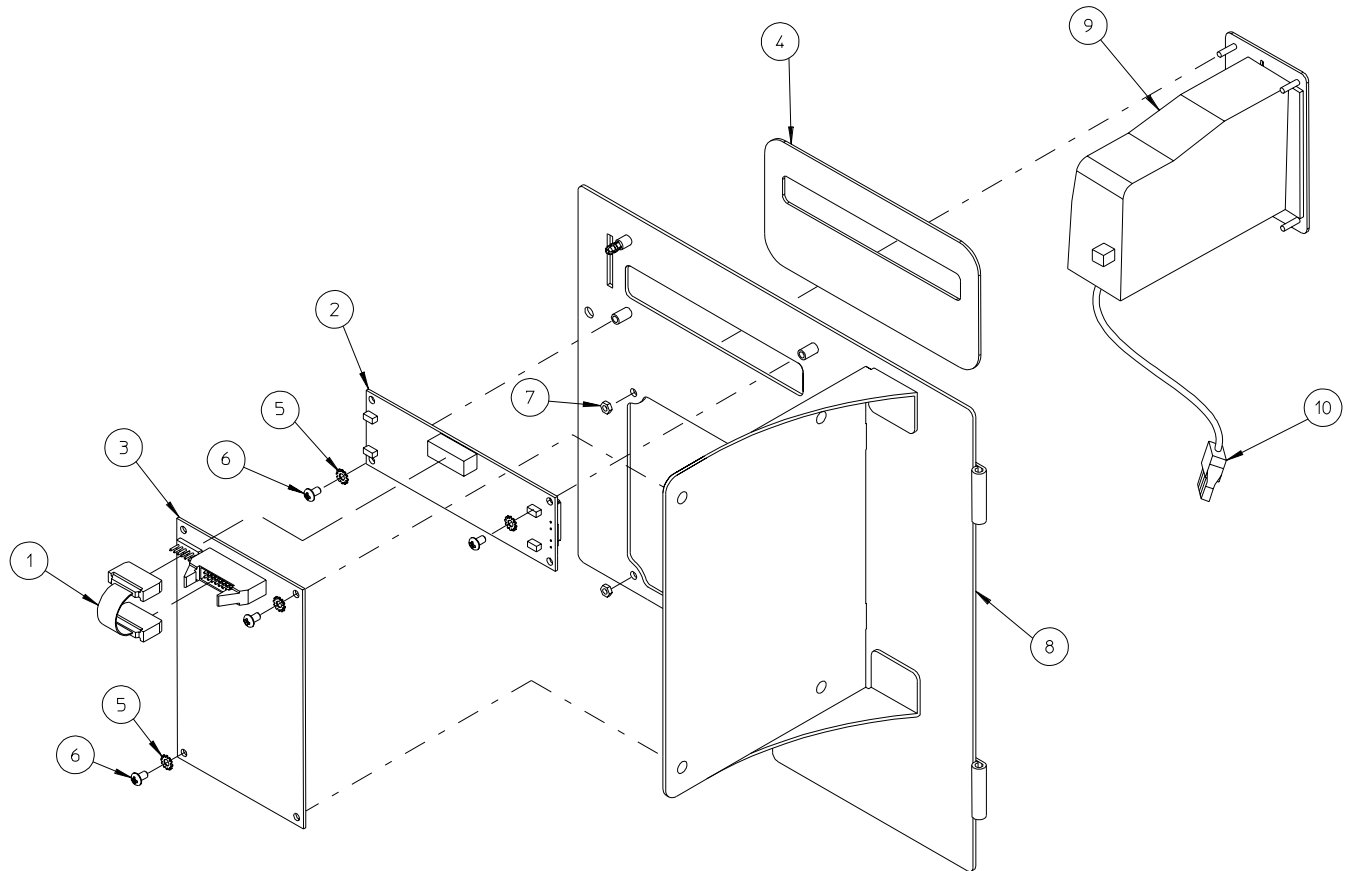
Control Door	4
Phase 7 Coin Microprocessor Control Panel Assembly	5
Phase 7 Coin Microprocessor Control Box Assembly	6
Coin Vault Assembly	7
Front Panel Assembly	8
Main Door Assembly (Round Door)	9
Main Door Switch Assembly	10
Sensor Bracket Assembly	11
Lint Trap Assembly	12
Drop Lint Door Assembly	13
Tumbler Support Assembly	14
Idler Bearing Assembly	15
Tumbler Bearing Assembly	16
Single-Phase (1 ϕ) Rear Electric Relay Panel Assembly	18
208-240V 3-Phase (3 ϕ) Rear Electric Relay Panel Assembly	19
T.E.F.C. Motor Mount Assembly	20
Direct Spark Ignition Burner Assembly	22
Sail Switch Assembly	24
Back Guard Assemblies	25
Additional Parts Available	26

Control Door



<u>Illus. No.</u>	<u>Part No.</u>	<u>Qty.</u>	<u>Description</u>
1	883831	1	White Control Door Assembly (includes illus. nos 1, 2, and 4 through 6)
	801839	1	Stainless Steel Control Door Assembly (includes illus. nos 1, 2, and 4 through 6)
2	117605	2	1/4" x 3/8" Neoprene Sponge Tape
3	150317	2	#10-16 x 3/4" TORX® Screw
4	160015	2	MK-100 Lock and Key
5	160052	1	1" Cam
6	160104	1	MK-100 Key ONLY
7	112343	1	Logo

Phase 7 Coin Microprocessor Control Panel Assembly

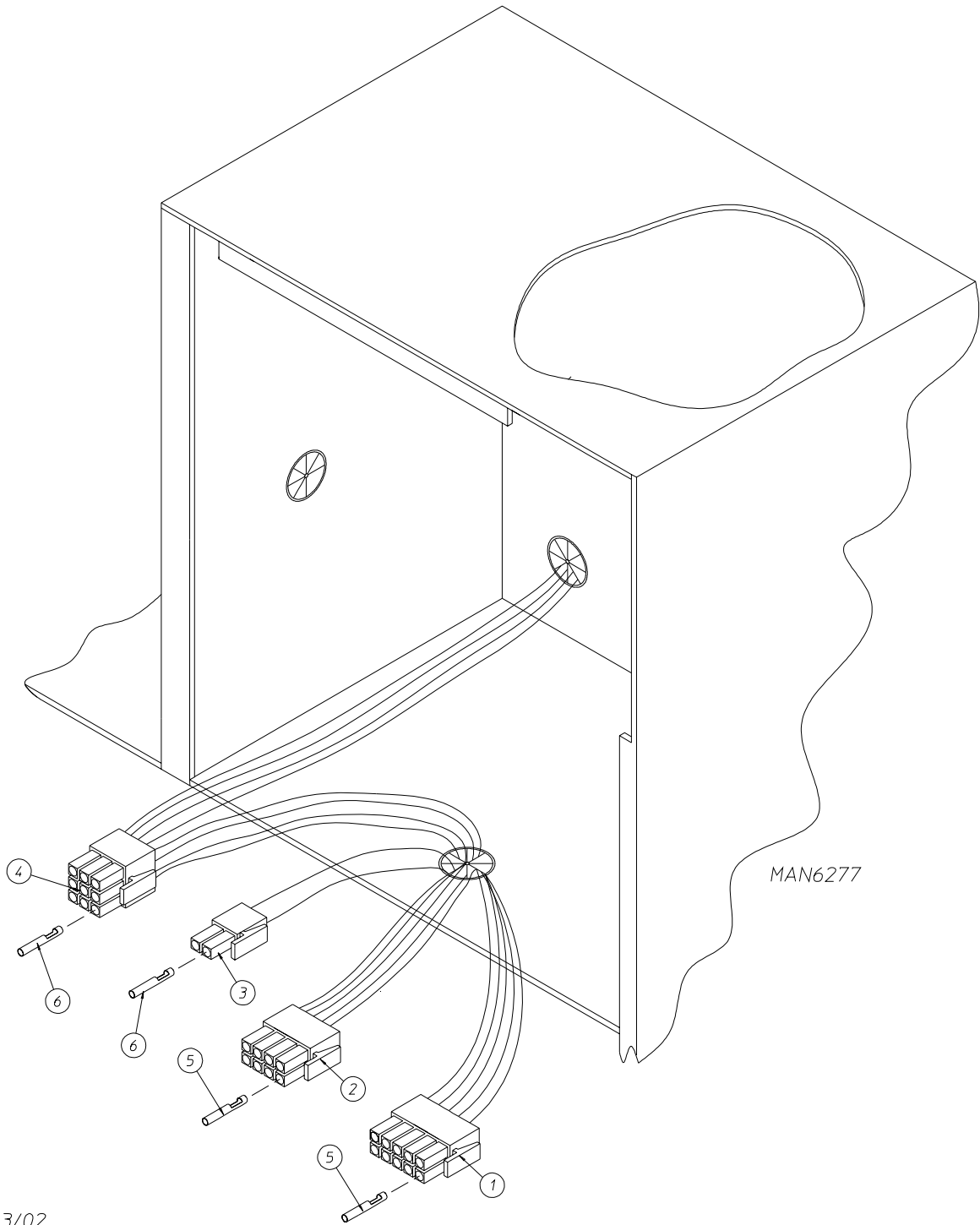


JCARRITA 10/17/02

MAN6308

<u>Illus. No.</u>	<u>Part No.</u>	<u>Qty.</u>	<u>Description</u>
1	137250	1	Phase 7 Coin Ribbon Cable
2	137270	1	16" x 1" Large Character Display
3	883941	1	Phase 7 Coin Board
4	112575	1	Phase 7 Keypad
5	153010	4	#6 Star Washers
6	150005	4	#6-32 x 1/4" Phillips Round Head Machine Screw
7	152102	4	M3 Metric Hex Nut
8	802541	1	Phase 7 Coin Control Panel ONLY
	883944	1	Phase 7 coin Control Panel Assembly (includes illus. nos. 1 through 8)
9	881163	1	Phase 7 25¢ Coin Acceptor with Optic Switch
	883774	1	Phase 7 Optic Switch ONLY
10	122633	1	3-Pin Connector

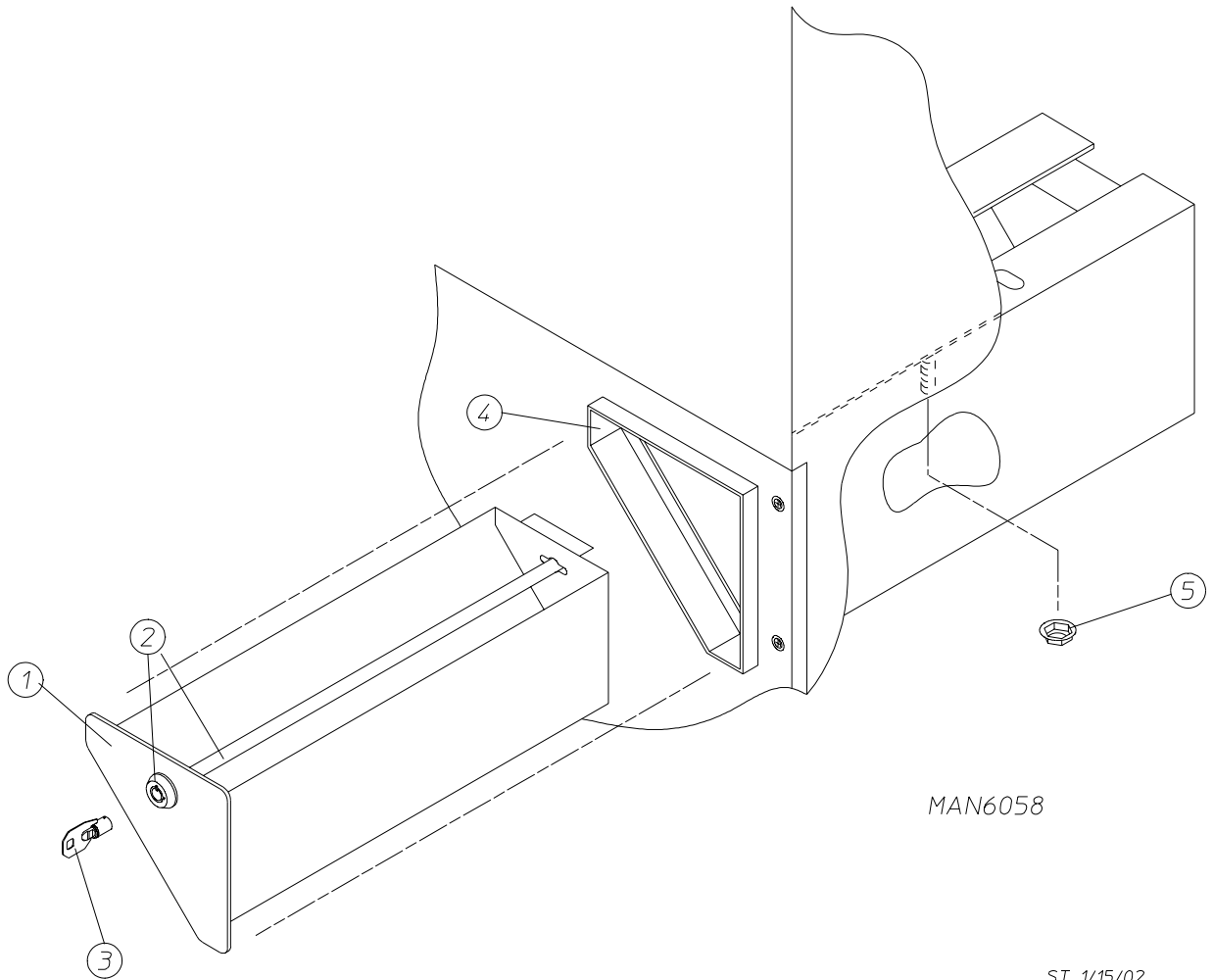
Phase 7 Coin Microprocessor Control Box Assembly



JCARRITA 9/23/02

Illus. No.	Part No.	Qty.	Description
1	122681	1	10-Pin Connector
2	122676	1	8-Pin Connector
3	122646	1	2-Pin Connector
4	122640	1	9-Pin Connector
5	122669	*	Female Crimp Terminal
6	122706	*	#20-16 U.M.N.L. Socket

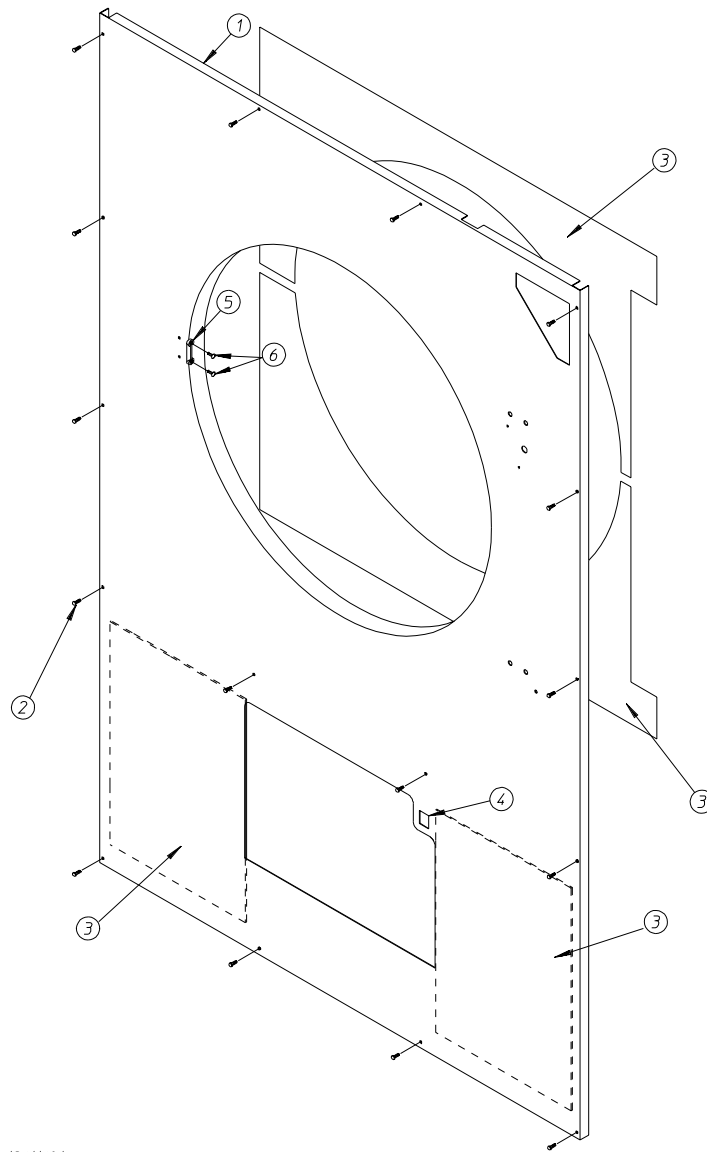
* As needed.



Illus. No.	Part No.	Qty.	Description
1	802148	1	Coin Box Assembly ONLY Less Lock
2*	160036	1	ACE® Lock Assembly with Key
3*	160136	1	ACE® Key ONLY
4	802129	1	Coin Vault ONLY
5	152014	4	1/4-20 Free Spin Wash Nut

* Specify key number when ordering.

Front Panel Assembly

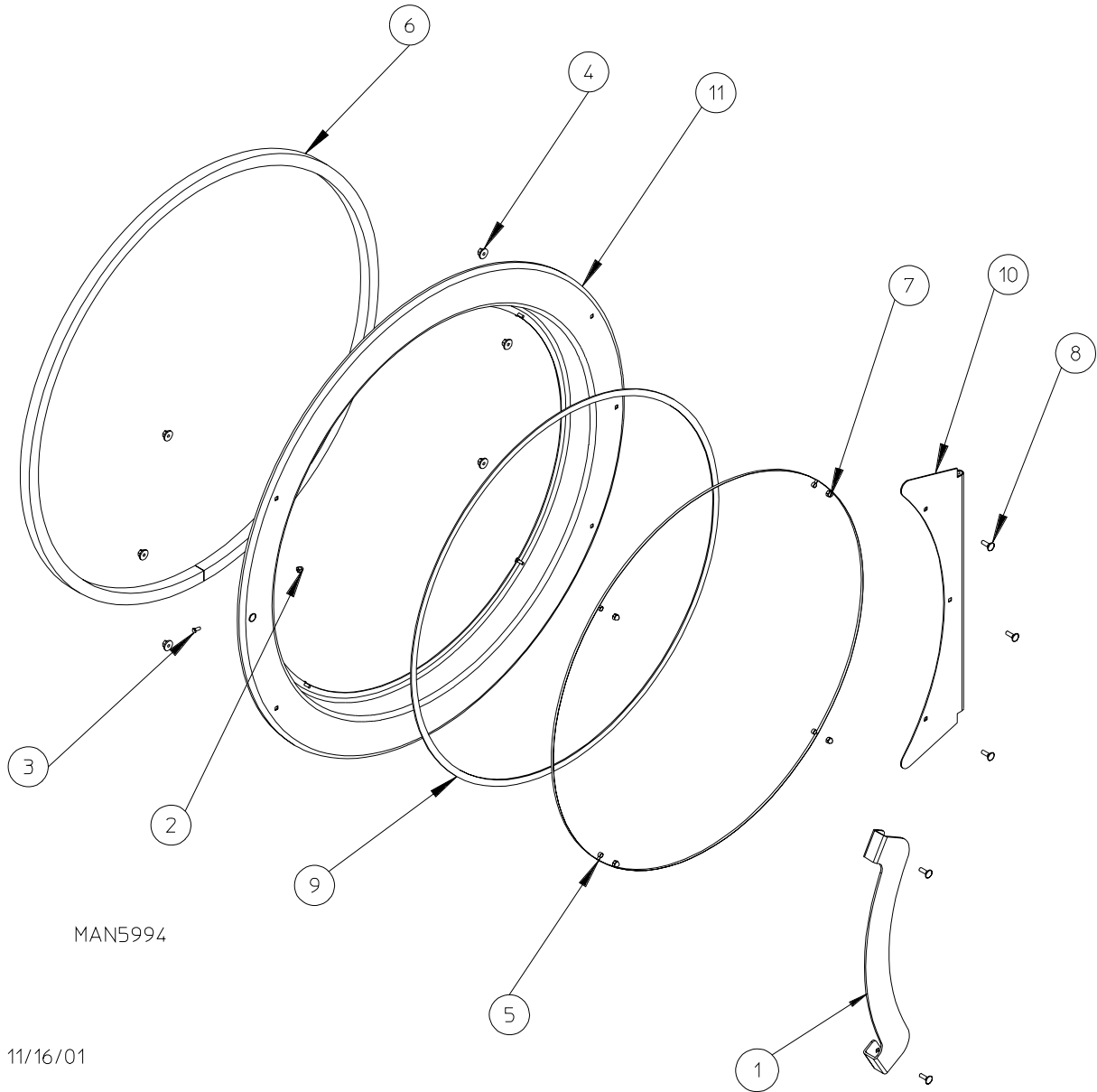


ST 12/11/01

MAN6031

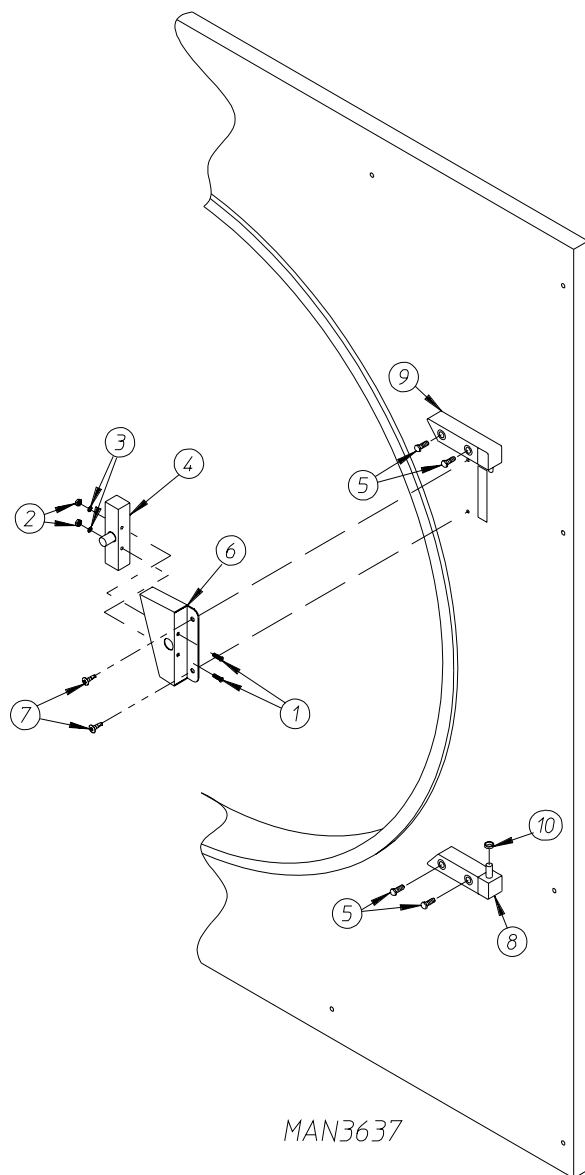
<u>Illus. No.</u>	<u>Part No.</u>	<u>Qty.</u>	<u>Description</u>
1	883811	1	White Front Panel Assembly (includes illus. nos. 1, 3, 5, and 6)
	883809	1	Stainless Steel Front Panel Assembly (includes illus. nos. 1, 3, 5, and 6)
2	150313	11	#10-16 x 1/2" TORX PLUS® BTN Type 1
	150318	1	25IP TORX PLUS® Bit
3	116147	2	13 x 18-1/2" Rear Lower Wall Insulation
	116320	1	Top Front Panel Insulation
	116321	1	Bottom Front Panel Insulation
4	122002	1	Lint Drawer Switch
5	881987	1	Friction Door Latch Kit (includes illus. nos. 5 and 6)
6	154215	2	5/32" Pop Rivet

Main Door Assembly (Round Door)



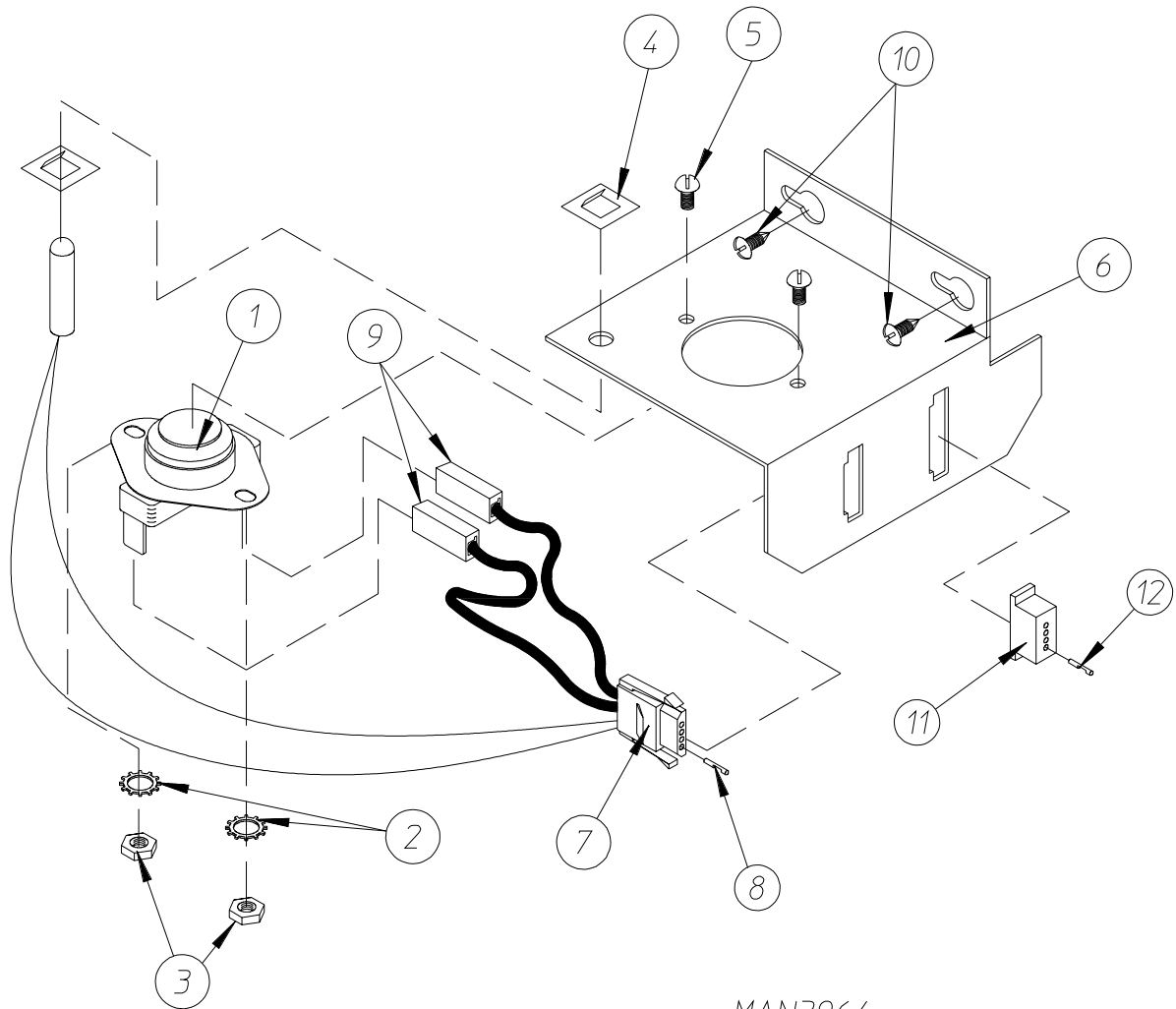
Illus. No.	Part No.	Qty.	Description
—	883249	1	Black Main Door Assembly Complete
1	883252	1	Large Cold Rolled Steel Black Main Door Handle
2	151010	1	#10-32 Black Hex Acorn Lock Nut
3	150120	1	#10-32 Door Latch Screw
4	152014	6	1/4-20 Free Spin Wash Nut
5	102214	1	30" Door Glass
6	882411	1	Large Steel Door Gasket
7	151013	4	#10-32 Black Acorn Nut
8	150683	6	1/4-20 x 5/8" Carriage Bolt
9	102361	1	Black Gasket Tape
10	883251	1	Large Black Main Door Hinge
11	883250	1	Large 37-1/4" Black Door Ring ONLY

Main Door Switch Assembly



MAN3637

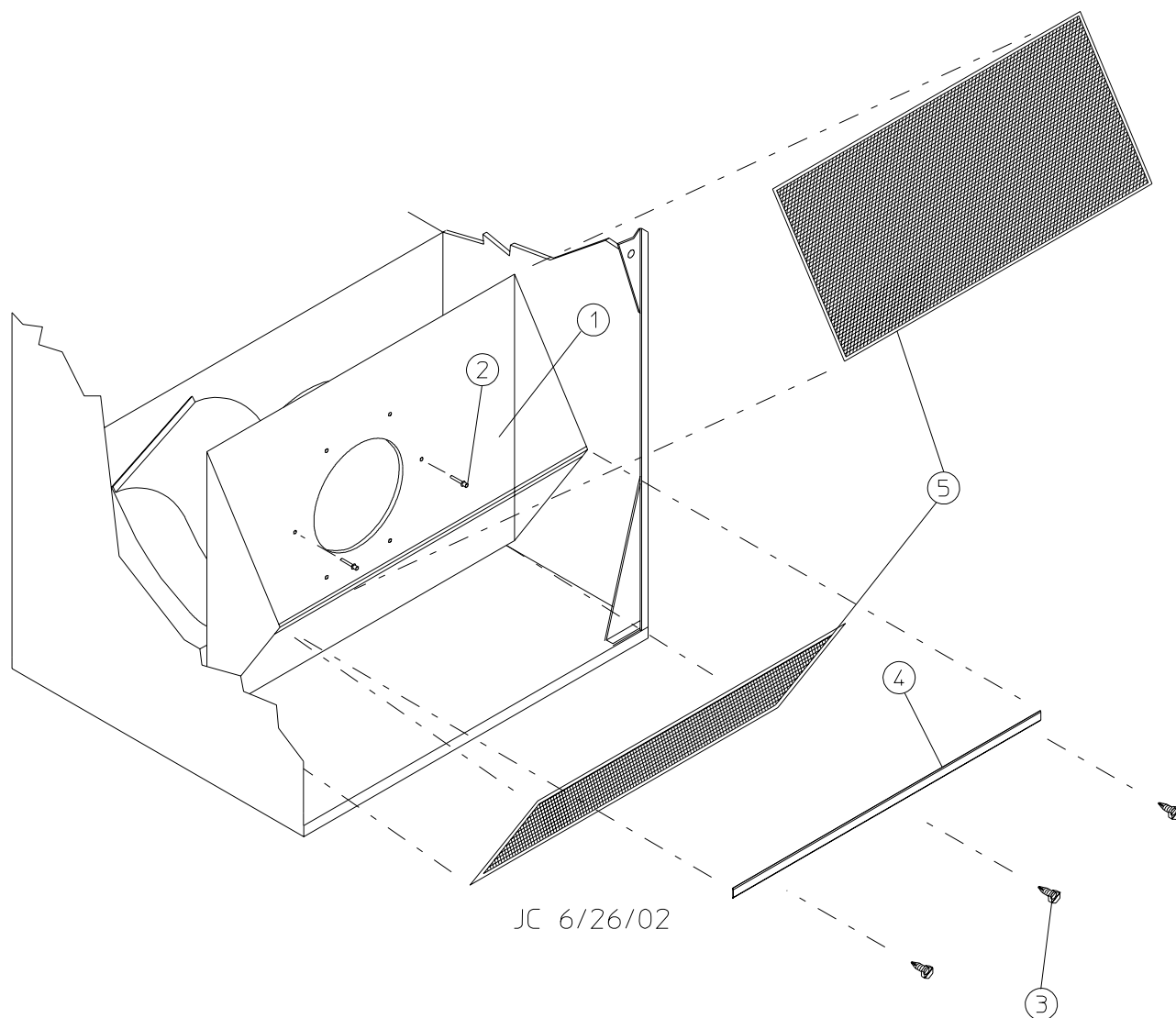
Illus. No.	Part No.	Qty.	Description
1	150006	2	#6-32 x 7/8" Phillips Pan Head Machine Screw
2	152013	2	#6-32 Hex Nut
3	153010	2	#6 Star Washer
4	137005	1	Single-Pole Door Switch
5	150445	4	1/4-20 x 3/4" Black Cap Screw
6	882866	1	Black Main Door Switch Housing ONLY
	883338	1	Black Main Door Switch with Housing Assembly (includes illus. nos. 1 through 4 and 6)
7	150301	2	#8-18 x 7/16" Phillips Pan Head TEK Screw
8	881151	1	Black Bottom Hinge Block (includes illus. nos. 5, 8, and 10)
9	881152	1	Black Top Hinge Block (includes illus. nos. 5 and 9)
10	153031	1	Nylon Washer



MAN3964

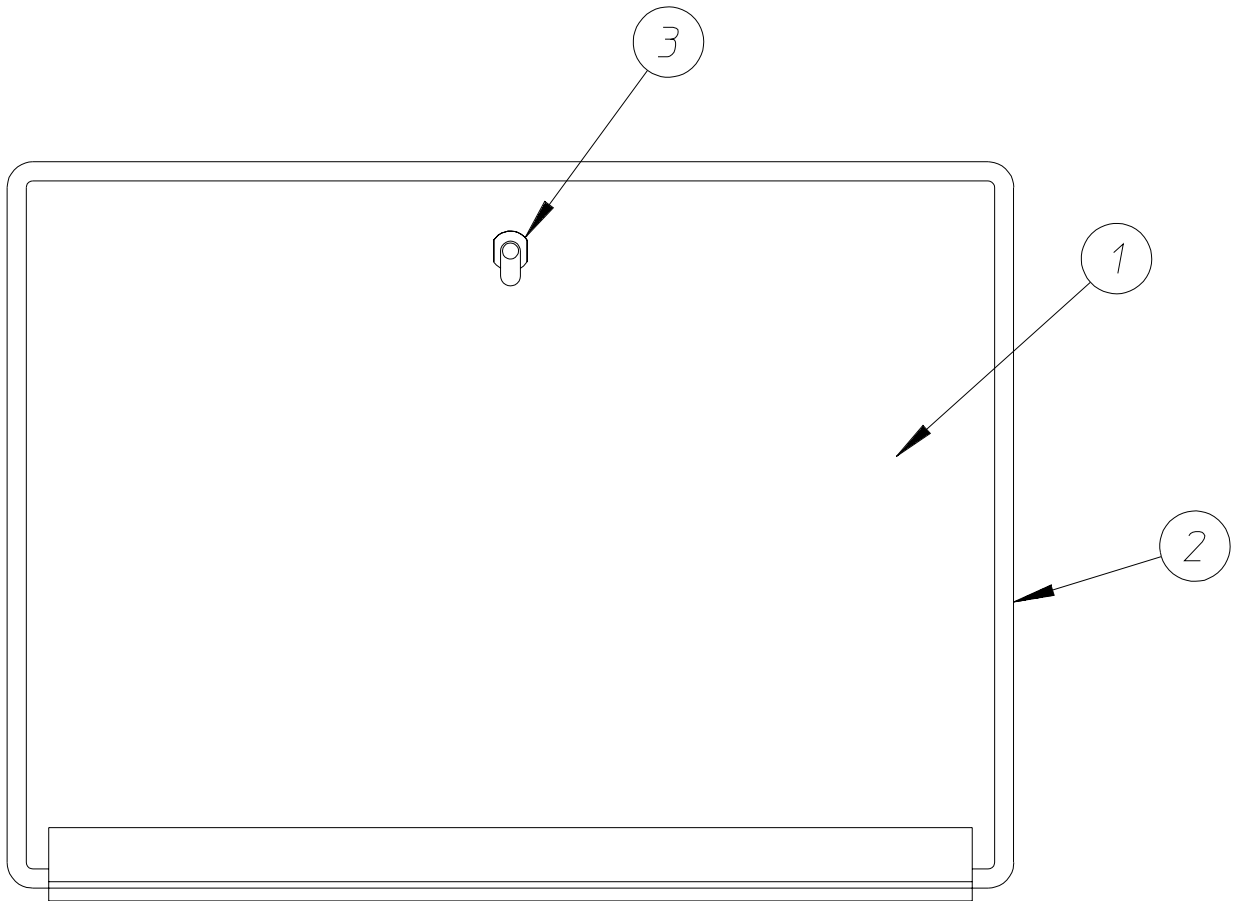
Illus. No.	Part No.	Qty.	Description
1	130103	1	225° F High Limit Thermostat
2	153010	2	#6 Star Washer
3	152000	2	#6-32 Hex Nut
4	154007	2	1/4" Tinnerman Push-On Fastener
5	150005	2	#6-32 x 1/4" Phillips Round Head Machine Screw
6	881912	1	Temperature Sensor Bracket Complete (includes illus. nos. 1 through 9)
7	880251	1	1/4" Temperature Sensor Probe Assembly (includes illus. nos. 7 through 9)
	122605	1	4-Pin Connector (female)
8	122701	4	Socket Terminal ONLY
9	121028	2	Insulated Terminal ONLY
10	150301	2	#8-18 x 7/16" Phillips Pan Head TEK Screw
11	122604	1	4-Pin Connector (male)
12	122700	4	Pin Terminal ONLY
	122801	1	Pin / Socket Extraction Tool ... Not Illustrated

Lint Trap Assembly



MAN6192

Illus. No.	Part No.	Qty.	Description
1	802833	1	Lint Trap Assembly Complete (includes illus. nos. 1 and 3 through 5)
	802834	1	Lint Trap ONLY
2	154200	6	5/32" Pop Rivet
3	150300	3	#10-16 x 1/2" Hex Washer TEK Screw
4	304100	1	Lint Screen Holder
5	800500	2	Lint Screen Assembly

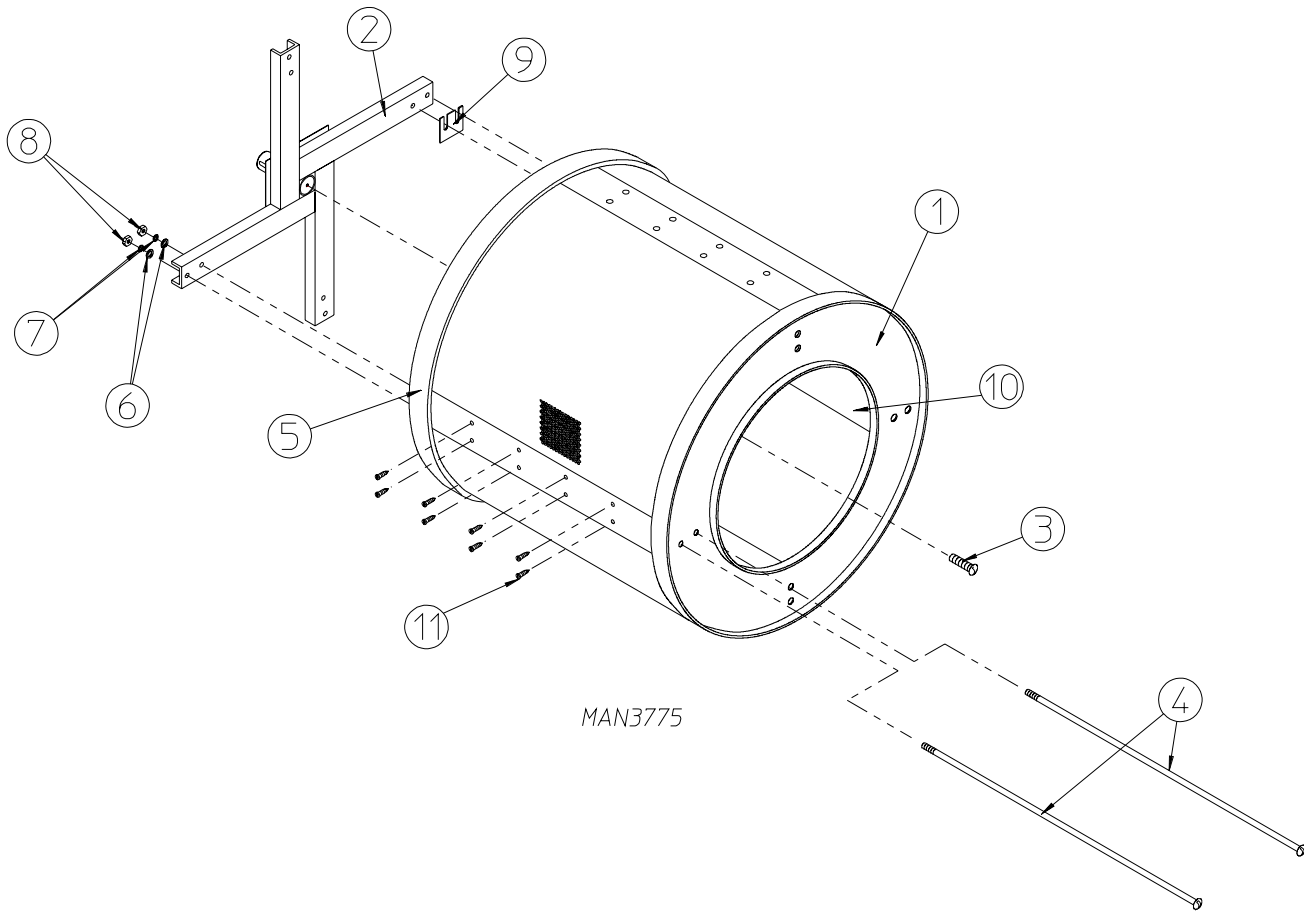


ST 12/11/01

MAN6029

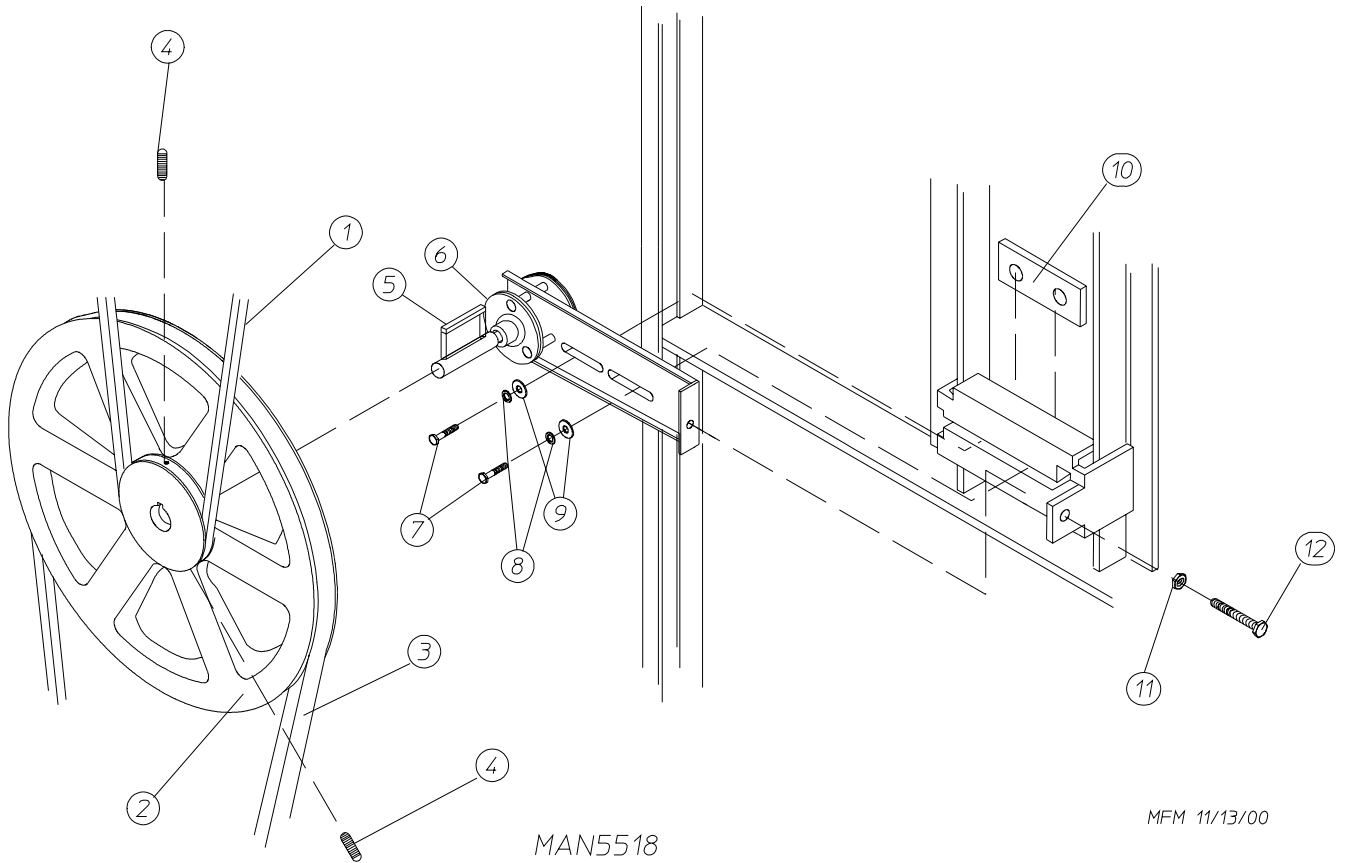
<u>Illus. No.</u>	<u>Part No.</u>	<u>Qty.</u>	<u>Description</u>
1	883812	1	Black Drop Lint Door
2	117604	5	1/8" x 3/8" Neoprene Sponge Tape
3	883798	1	Lint Door AD-100 Lock and Cam
	160103	1	Key ONLY for AD-100 Lock

Tumbler Support Assembly



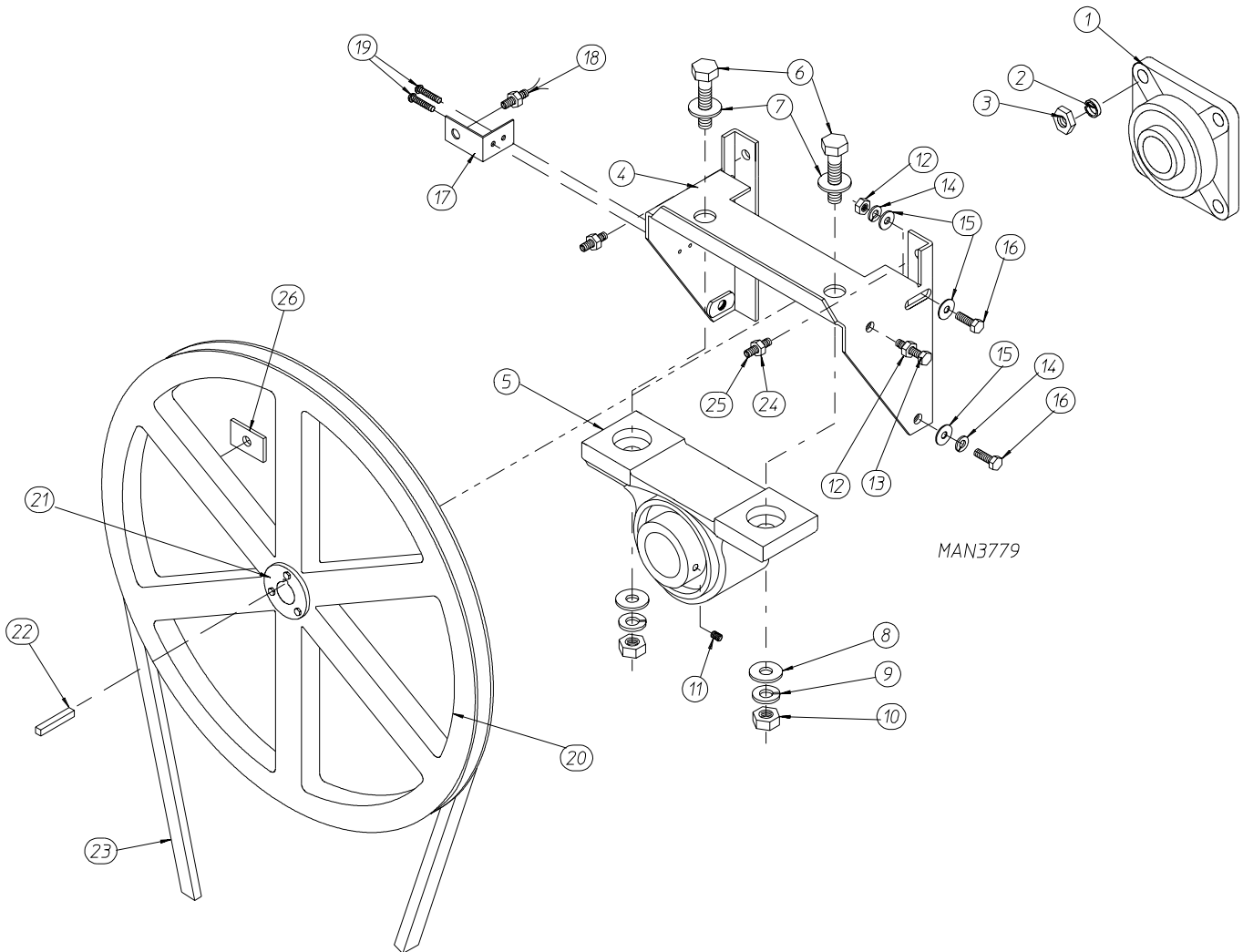
Illus. No.	Part No.	Qty.	Description
1	883523	1	Tumbler ONLY
	801773	1	Tumbler and Support Assembly Complete (includes illus. nos. 1 through 11)
2	801774	1	Tumbler Support ONLY
3	150500	1	5/16-18 x 3/4" Socket Button Head Screw
4	100912	8	1/2-13 x 25-3/8" Tie Rod
5	116006	1	Felt Collar
	170730	1	Felt Collar Adhesive (10.3 oz.)
6	153011	8	9/16" Flat Washer
7	153026	8	1/2" Lock Washer
8	152028	8	1/2-13 Hex Nut
9	301701	*	Tumbler Shims
10	314701	4	Tumbler Ribs
11	150313	32	#10-16 x 1/2" TORX PLUS® Crimpite Screw

* As required.



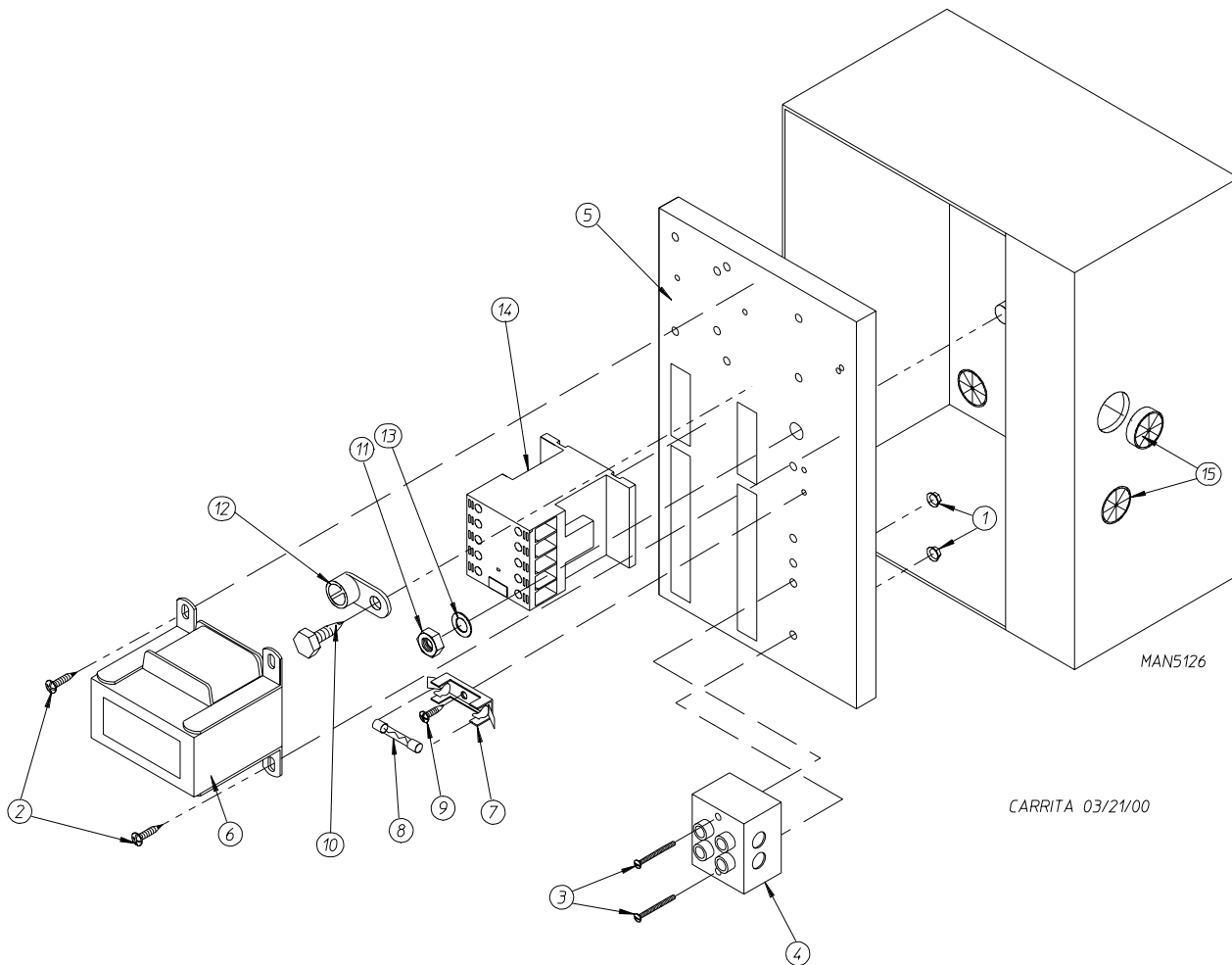
Illus. No.	Part No.	Qty.	Description
1	100185	1	5L-780 V-Belt
2	101140	1	14" x 3" Compound Pulley
3	100178	1	4L-570 V-Belt (idler to motor)
4	154301	2	5/16-18 x 1" Allen Setscrew
5	100705	1	3/16" x 3/16" x 1-3/8" Key
6	883473	1	Idler Bearing Assembly Complete (includes illus. nos. 5 through 12)
7	150617	2	3/8-16 x 1" Hex Head Machine Bolt
8	153005	2	3/8" Lock Washer
9	153004	2	3/8" Flat Washer
10	801009	1	Idler Square Washer
11	152005	1	3/8"-16 Hex Nut
12	150623	1	3/8-16 x 5" Hex Head Machine Bolt

Tumbler Bearing Assembly



<u>Illus. No.</u>	<u>Part No.</u>	<u>Qty.</u>	<u>Description</u>
1	887195	1	1-15/16" Flange Bearing
2	153025	4	Lock Washer
3	152050	4	Hex Nut
4	801775	1	Pillow Block Bearing Assembly Complete (includes illus. nos. 4 through 13, 24 and 25)
	801761	1	Pillow Block Bearing Housing ONLY
5	887174	1	1-15/16" Pillow Block Bearing
6	150633	2	1/2-13 x 2-1/4" Hex Head Bolt
7	153011	2	9/16" Flat Washer
8	153011	2	9/16" Flat Washer
9	153026	2	1/2" Lock Washer
10	152011	2	1/2-13 Hex Nut
11	154322	2	3/8-24 x 7/16" Setscrew
12	152004	2	5/16-18 Hex Nut
13	150621	2	5/16-18 x 1-1/2" Bolt
14	153002	6	5/16" Lock Washer
15	153001	6	5/16" Flat Washer
16	150621	4	5/16-18 x 1-1/2" Hex Bolt
17	314746	1	Rotational Sensor Bracket
18	883386	1	Rotational Sensor Assembly
19	150313	2	#10-16 x 1/2" TORX PLUS® TEK Crimptite
20	882111	1	18" Pulley with Rotational Sensor Magnet (includes illus. nos. 20 and 26)
21	101220	1	1-15/16" Taper Lock Bushing
22	100719	1	1/2" x 1/2" x 1-3/8" Key
23	100185	1	5L-780 V-Belt
24	152004	2	5/16-18 Hex Nut
25	150610	2	5/16-18 x 1-1/2" Allen Setscrew
26	102102	1	Rotational Sensor Magnet
	401010	1	Adhesive for Magnet

Single-Phase (1 ϕ) Rear Electric Relay Panel Assembly

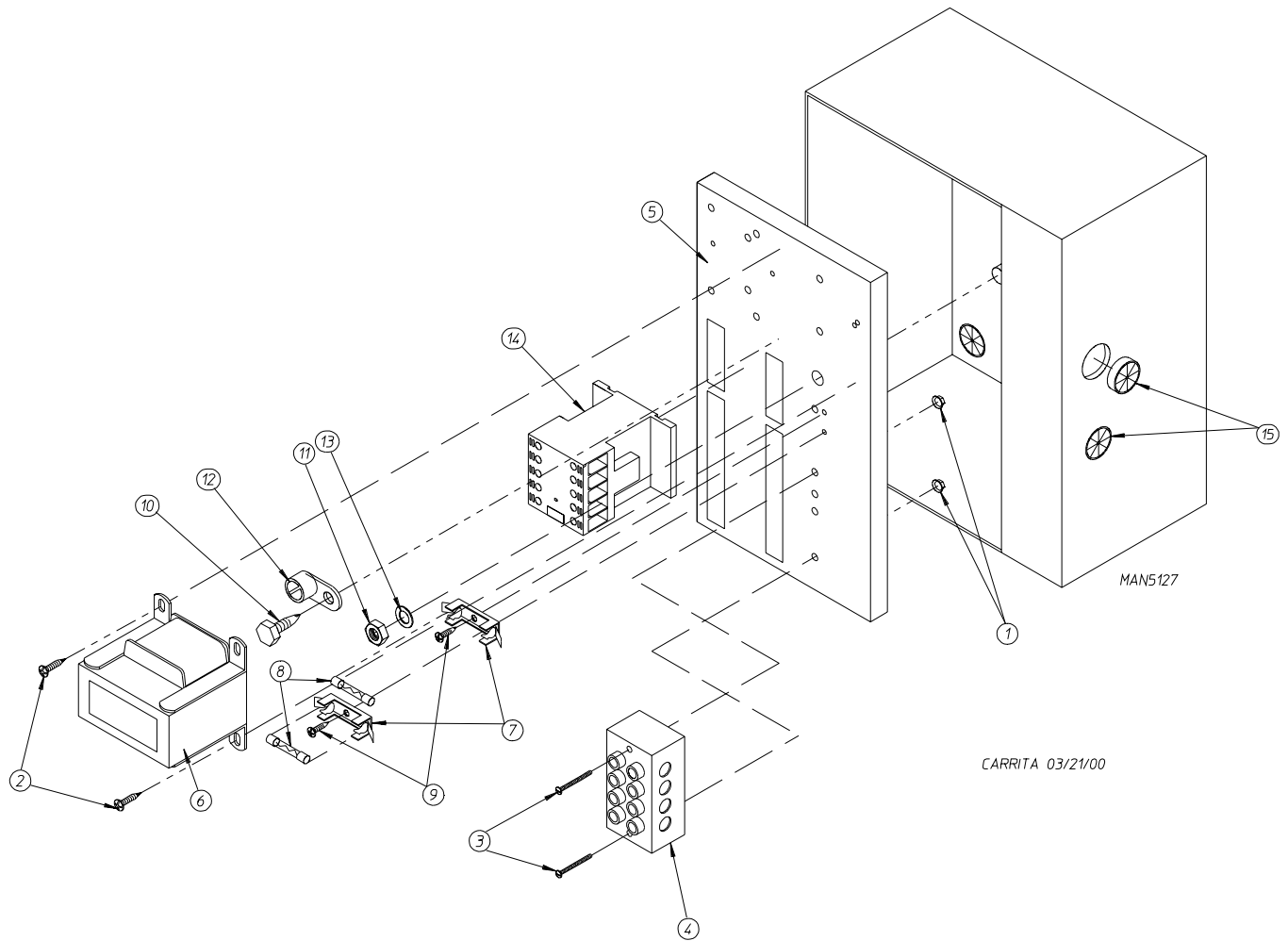


CARRITA 03/21/00

Illus. No.	Part No.	Qty.	Description
1	151000	2	#6-32 Pal Nut
2	150300	2	#10-16 x 1/2" Hex Washer TEK Screw
3	150008	2	#6-32 x 1-1/4" Phillips Pan Head Machine Screw
4	120716	1	2-Position Terminal Block
5	322812	1	Rear Electric Mounting Plate ONLY
	822817	1	Rear Electric Panel Assembly Complete – 115 Volt 1 ϕ (includes illus. nos. 1 through 14)
	822798	1	Rear Electric Panel Assembly Complete – 208-240 Volt 1 ϕ (includes illus. nos. 1 through 14)
6	822794	1	Transformer Assembly – 115 Volt
	822799	1	Transformer Assembly – 208-240 Volt
7	136008	*	Fuse Holder
8	136057	2	1/2-Amp (Slo-Blo) Fuse (for 208-240 volt)
	136049	1	3/4-Amp (Slo-Blo) Fuse (for 115 volt)
9	150301	*	#8-18 x 7/16" Phillips Pan Head TEK Screw
10	150297	1	#10 x 1/2" Green Hex Washer TEK Screw
11	152004	1	5/16-18 Hex Nut
12	121010	1	L-70 Ground Lug
13	153002	1	5/16" Lock Washer
14	132514	1	3-Pole Contactor (for 115 volt)
	132495	1	3-Pole Contactor (for 208-240 volt)
15	121300	3	Open / Closed Bushing

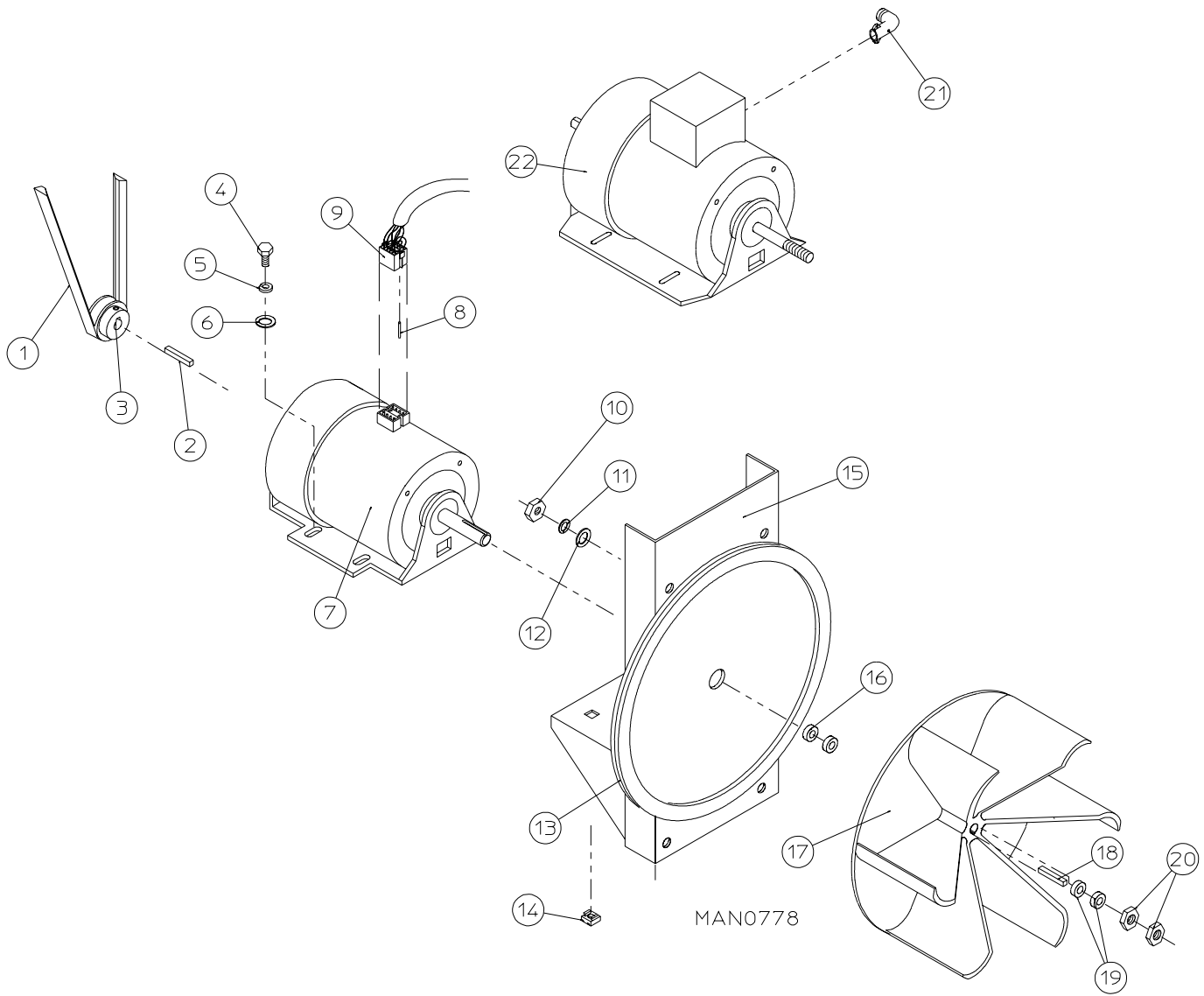
* Quantity is 1 for 115v and 2 for 208-240v

208-240V 3-Phase (3 ϕ) Rear Electric Relay Panel Assembly



Illus. No.	Part No.	Qty.	Description
1	151000	2	#6-32 Pal Nut
2	150300	2	#10-16 x 1/2" Hex Washer TEK Screw
3	150008	2	#6-32 x 1-1/4" Phillips Pan Head Machine Screw
4	120701	1	4-Position Terminal Block
5	322812	1	Rear Electric Mounting Plate ONLY
	830154	1	Rear Electric Panel Assembly Complete – 208-240 Volt (includes illus. nos. 1 through 14)
6	822799	1	Transformer Assembly
7	136008	2	Fuse Holder
8	136057	2	1/2-Amp (Slo-Blo) Fuse
9	150301	2	#8-18 x 7/16" Phillips Pan Head TEK Screw
10	150297	1	#10 x 1/2" Green Hex Washer TEK Screw
11	152004	1	5/16-18 Hex Nut
12	121010	1	L-70 Ground Lug
13	153002	1	5/16" Lock Washer
14	132495	1	3-Pole Contactor
15	121300	3	Open / Closed Bushing

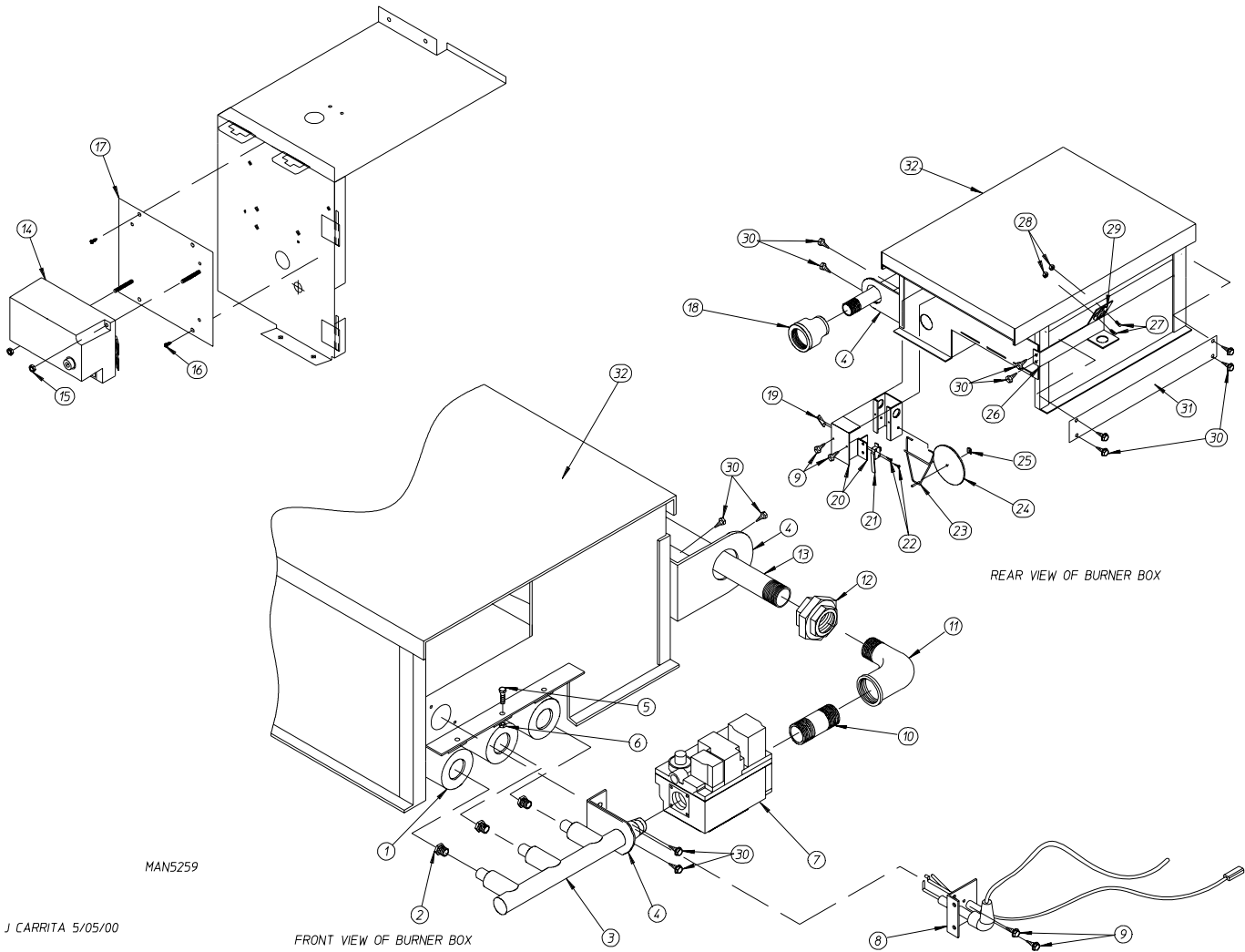
T.E.F.C. Motor Mount Assembly



<u>Illus. No.</u>	<u>Part No.</u>	<u>Qty.</u>	<u>Description</u>
1	100178	1	4L-570 V-Belt (motor to idler)
2	100701	1	3/16" x 3/16" x 1" Key
3	101133	1	5/8" x 2-1/4" Motor Pulley
4	150501	4	5/16-18 x 3/4" Hex Head Machine Bolt
5	153002	4	5/16" Lock Washer
6	153001	4	5/16" Flat Washer
7	100073*	1	1 hp 120/208/230v 1Ø 60 Hz Totally Enclosed, Fan-Cooled Motor with Plug (56Z frame)
8	122701	8	Socket Terminal
	122801	1	Pin / Socket Extraction Tool ... Not Illustrated
9	137030	1	8-Pin Housing Connector
10	152004	4	5/16-18 Hex Nut
11	153002	4	5/16" Lock Washer
12	153001	4	5/16" Flat Washer
13	117604	4	Noise Suppression Tape (sold by the foot)
14	154000	4	5/16-18 Nut
15	800919	1	Motor Mount ONLY (56Z frame)
	803992	1	1 hp 120/230v 1Ø 60 Hz Totally Enclosed, Fan-Cooled Motor Mount Assembly with Plug Complete (includes illus. nos. 2 through 7 and 13 through 20)
	803955*	1	1 hp 208-240 Volt 3Ø 60 Hz Totally Enclosed, Fan-Cooled Motor Mount Assembly Complete (includes illus. nos. 2 through 6 and 13 through 22)
16	153051	1	3/4" S.A.E. Flat Washer
17	882670	1	16" Fan with 3/4" Bore
18	100714	1	3/16" x 3/16" x 1-7/8" Key
19	153050	2	1/2" S.A.E. Flat Washer
20	152006	2	1/2-20 Left-Hand Jam Nut
21	120200	1	3/8" x 90° Connector
22*	100075	1	1 hp 208-240 Volt 3Ø 60 Hz Totally Enclosed, Fan-Cooled Motor

* Specify voltage when ordering.

Direct Spark Ignition Burner Assembly



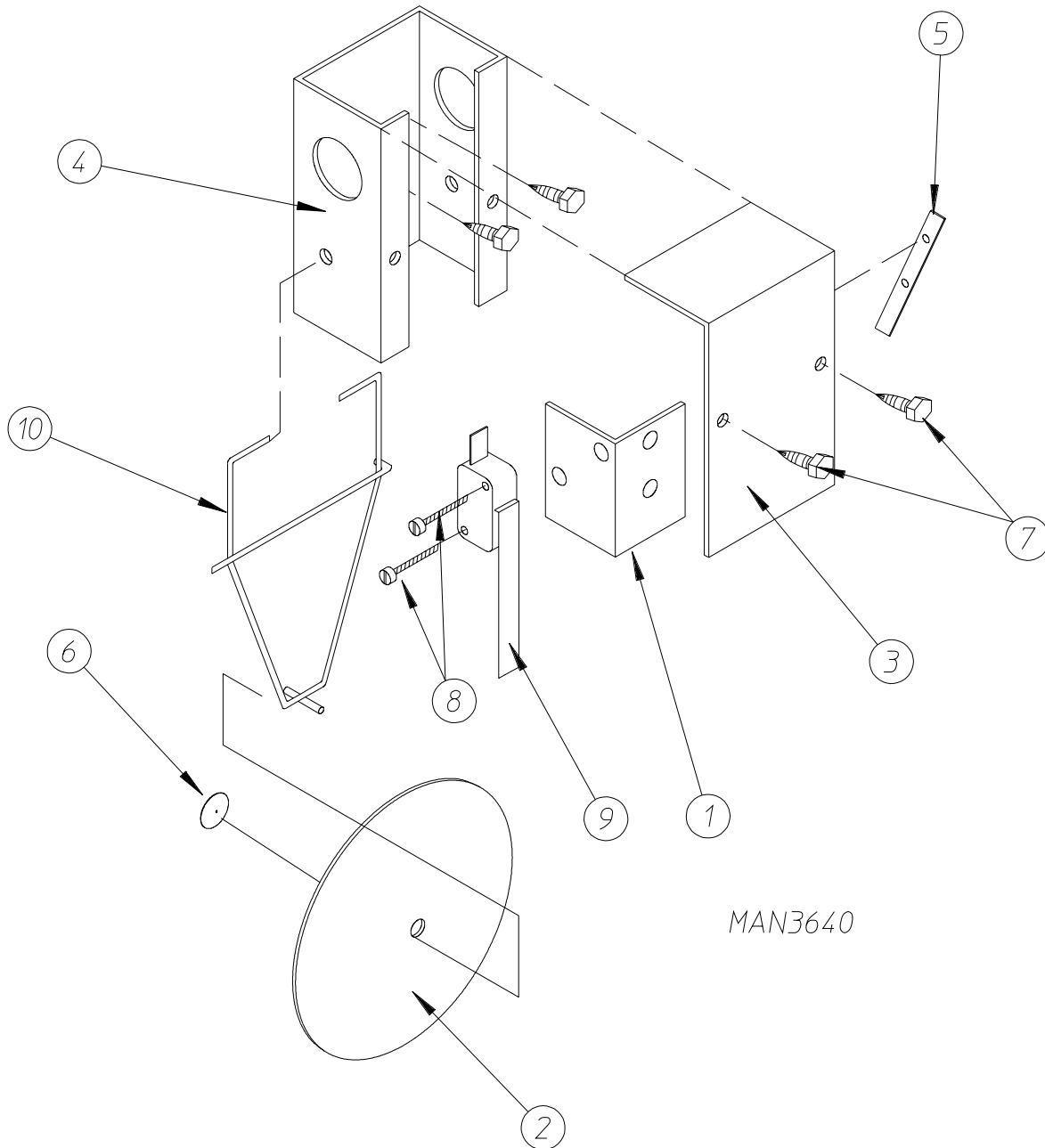
Direct Spark Ignition Burner Assembly

<u>Illus. No.</u>	<u>Part No.</u>	<u>Qty.</u>	<u>Description</u>
1	141105	3	Large Gas Burner
2*	140856	3	#23 Burner Orifice (natural gas)
	140810	3	#42 Burner Orifice (liquid propane gas)
3	141232	1	1/2" Manifold (3-port)
4	318700	3	Pipe Bracket (bent)
5	150108	3	#8-32 x 1/2" Pan Head Machine Screw
6	151001	3	#8-32 Pal Nut
7	128927	1	1/2" 24 VAC Redundant (natural gas) Gas Valve
	880960	1	1/2" 24 VAC (liquid propane gas) Gas Valve Assembly
8	809309	1	Ignitor Probe Assembly
9	150300	8	#10/16 x 1/2" Hex Washer TEK Screw
10	142707	1	1" x 1-1/2" Nipple
11	142506	1	1/2" x 1/2" Street Elbow
12	142600	1	1/2" Black Union
13	142804	1	1/2" x 24" Pipe
14	128935	1	Direct Spark Ignition Module with Three (3) Tries
15	152013	2	#6-32 Hex Nut
16	150301	2	#8-18 x 7/16" Phillips Pan Head TEK Screw
17	801711	1	Direct Spark Ignition Module Mounting Plate Assembly
18	143000	1	1/2" x 3/4" Reducing Coupling
19	154004	1	Twin Speed Nut
20	802799	1	Sail Switch Top and Switch Bracket (Refer to Sail Switch Assembly on page 24)
21	122200	1	Sail Switch
22	150303	2	#4 x 3/4" Pan Head Machine Screw
23	105500	1	Sail Switch Actuator Rod
24	319202	1	Sail Switch Damper (flat)
25	154002	1	1/8" Push-On Fastener
26	319704	1	Hi-Limit Mounting Bracket
27	150001	2	#6-32 x 1/2" Phillips Round Head Machine Screw
28	151000	2	#6-32 Pal Nut
29	130201	1	330° Hi-Limit Thermostat
30	150309	11	#10-16 x 1/2" Hex Head TEK Crimptite Screw
31	314762	1	Liquid Propane Cover Plate (for liquid propane dryer Only)
32	801704**	1	Natural Gas Burner Assembly Complete (includes illus. nos. 1, 3 through 13, 18 through 30, and 32)
	801705**	1	Liquid Propane Gas Burner Assembly Complete (includes illus. nos. 1, 3 through 13, and 18 through 32)
	801703	1	Burner Box ONLY
33	881655	1*	Liquid Propane Conversion Kit ... Not Illustrated

* Consult factory for elevations over 2,000 feet.

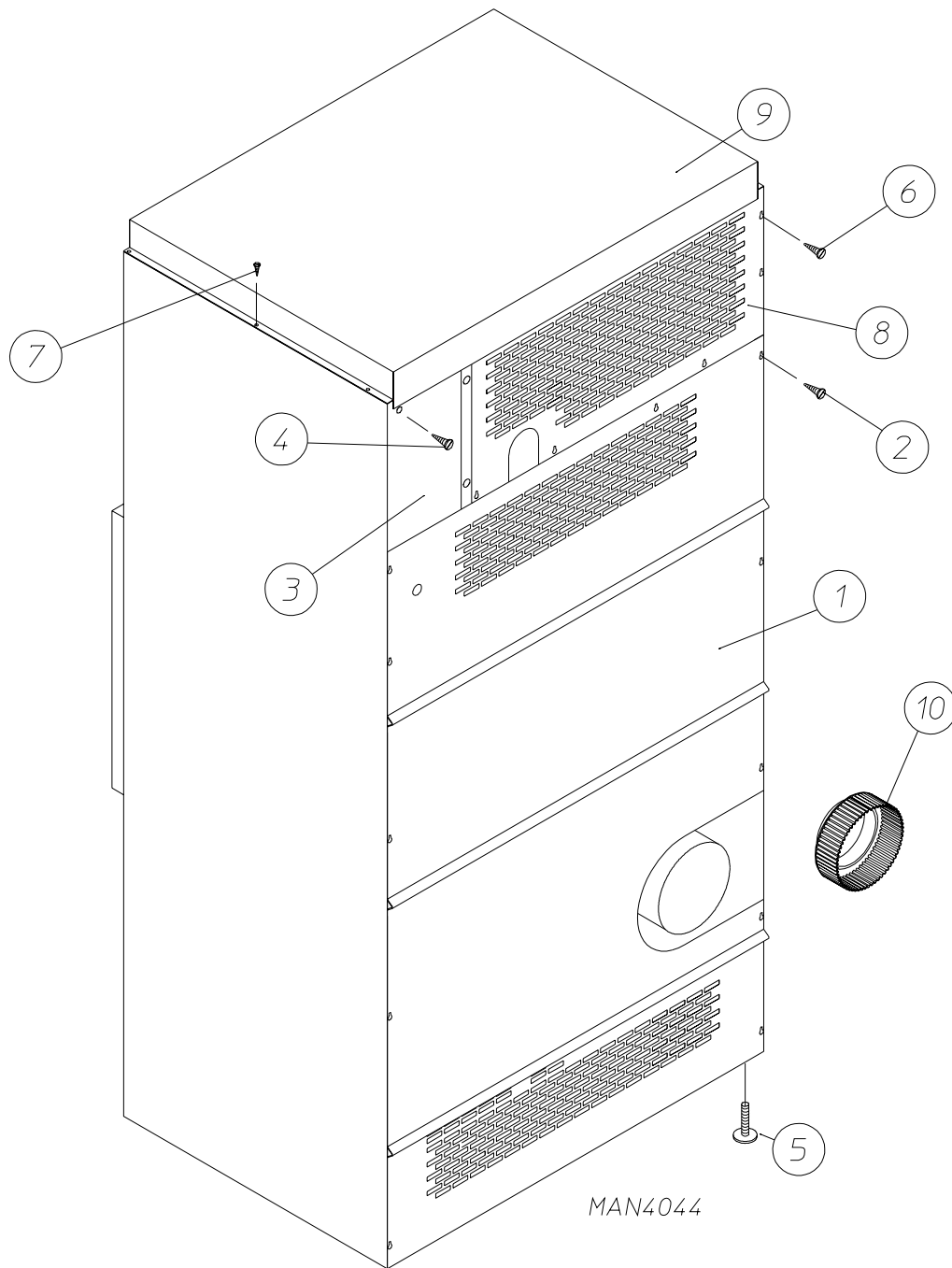
** Burner orifices are not included and must be ordered separately.

Sail Switch Assembly



MAN3640

<u>Illus. No.</u>	<u>Part No.</u>	<u>Qty.</u>	<u>Description</u>
1	319203	1	Sail Switch Mounting Bracket
2	319202	1	Sail Switch Damper (flat)
3	319201	1	Sail Switch Box Cover
4	319200	1	Sail Switch Box
5	154004	1	Twin Speed Nut
6	154002	1	1/8" Push-On Fastener
7	150300	4	#10-16 x 1/2" Phillips Hex Head TEK Crimptite Screw
8	150303	2	#4 x 3/4" Pan Head Machine Screw
9	122200	1	Sail Switch
	881706	1	Sail Switch Box Assembly Complete (includes illus. nos. 1 through 10)
10	105500	1	Sail Switch Actuator Rod



<u>Illus. No.</u>	<u>Part No.</u>	<u>Qty.</u>	<u>Description</u>
1	314501	1	Bottom Back Guard
2	150301	12	#8-18 x 7/16" Phillips Pan Head TEK Screw
3	322809	1	Rear Electrical Box Cover
4	150301	4	#8-18 x 7/16" Phillips Pan Head TEK Screw
5	103500	4	Leveling Leg
6	150301	7	#8-18 x 7/16" Phillips Pan Head TEK Screw
7	150300	12	#10-16 x 1/2" Hex Washer TEK Screw
8	314738	1	Top Back Guard
9	314737	1	Outer Top
10	882099	1	8" to 10" Increaser

Additional Parts Available

<u>Part No.</u>	<u>Description</u>
114533	120 Volt Electric Service Label
112280	"Lint Compartment" Label
114001	"CAUTION – Exhausted" Label
114548	"Phase 7 Coin Program Location Summary" Label
114006	"WARNING – Fire Hazards" Label
120800	1/4" In-Line Connector
120802	Red Butt Connector
120902	#74B Wire Nut
120903	Crimp-On Wire Nut
121499	5-1/2" Harness Tie
121500	8" Harness Tie
122804	Manometer (hydro gauge) for Measuring Gas Pressure
404502	White Brush-In-Cap Bottle Touch-Up Paint
882458	Tumbler Bearing Puller

