



MDG78
Parts Manual
Phase 8

For Internal Use Only

**RETAIN THESE INSTRUCTIONS IN A SAFE PLACE
FOR FUTURE REFERENCE**

Whirlpool Corporation
Commercial Laundry
Benton Harbor, MI 49022
1-800-662-3587

**Retain This Manual
In A Safe Place For Future Reference
Retenir Ce Manual Dans Un Lieu Sûr
Pour la Référence Future**

For your convenience, log the following information:
Pour votre convenance, noter les informations suivantes:

DATE OF PURCHASE _____	MODEL NO. MDG78
LA DATE D'ACHAT _____	MODELER NO. _____
DISTRIBUTOR'S NAME _____	
NOM DU DISTRIBUTEUR _____	
Serial Number(s) _____	
Le Numéro De Série _____	

For replacement parts, contact the distributor from which
the dryer was purchased or contact:

Pour les parties de remplacement, contacter le distributeur
de liquel le plus sec a été acheté ou contacte:

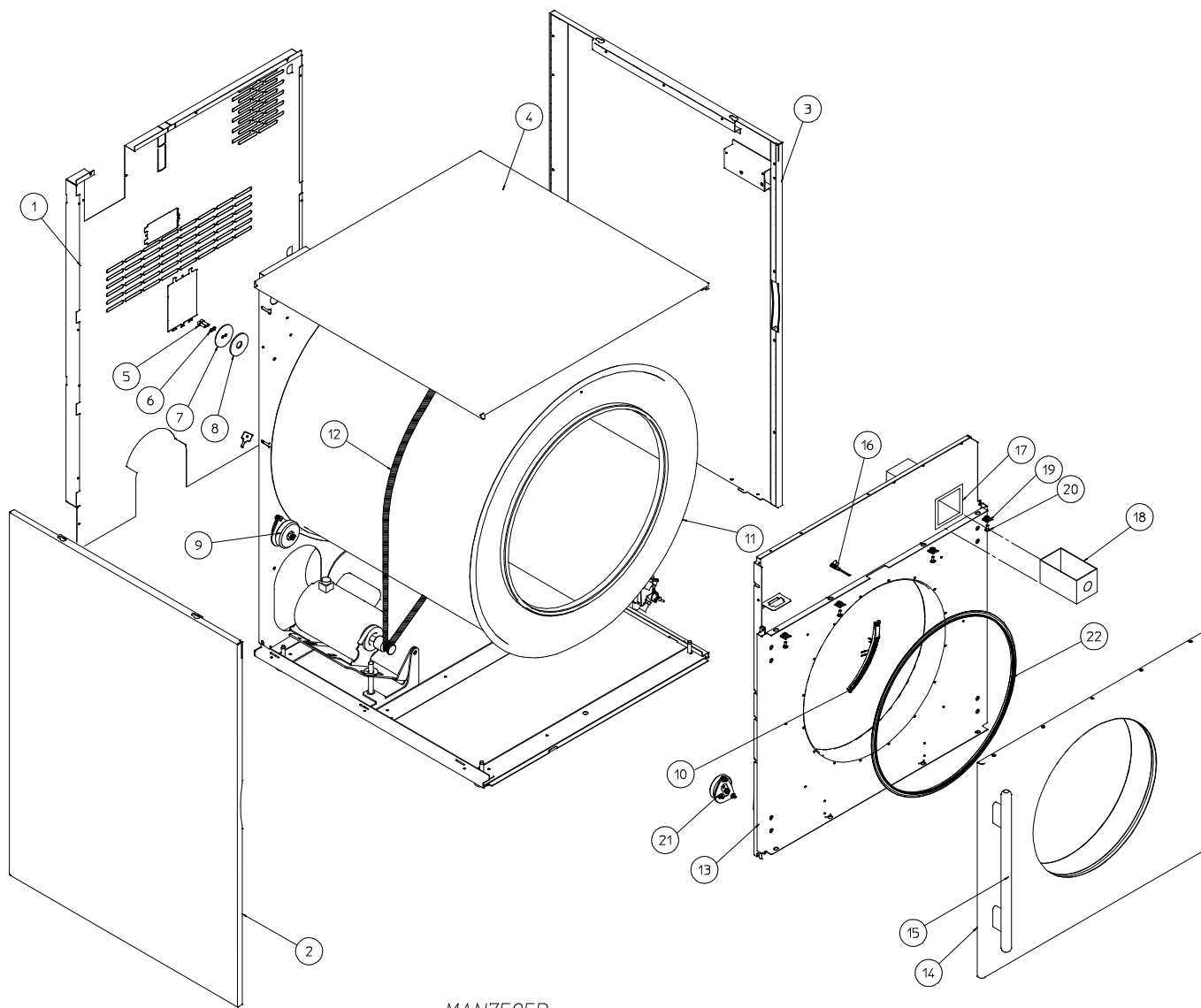
Whirlpool Corporation

Commercial Laundry
Benton Harbor, MI 49022
1-800-662-3587

The illustrations on the following pages may not depict
your particular dryer exactly. The illustrations are a composite
of the various dryer models. Be sure to check the
descriptions of the parts thoroughly before ordering.

Les illustrations sur les pages suivantes ne peuvent pas peindre
votre particulier plus sec exactement. Les illustrations sent un
composite des drivers modèles plus secs. Etre sûr de vérifier
les descriptions des parties à fond avant commander.

Complete Dryer Assembly

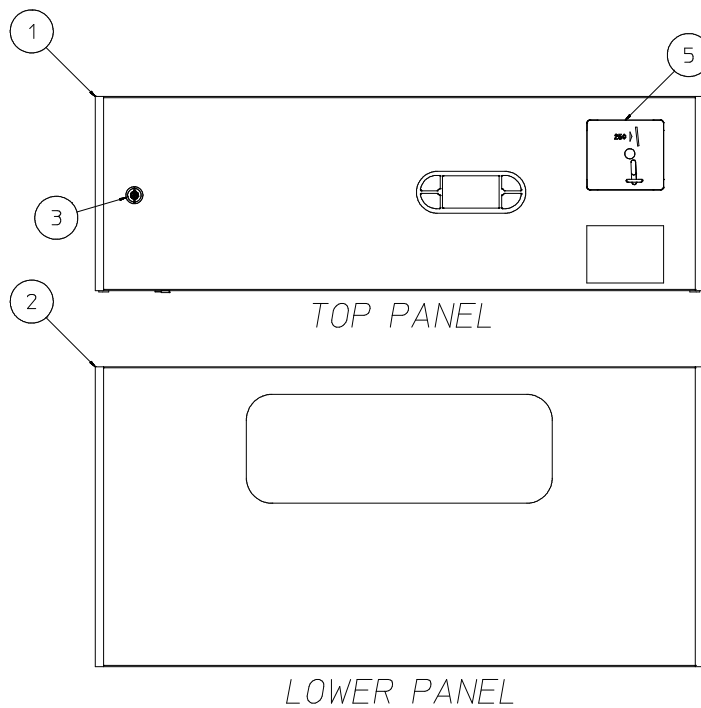


MAN7595D

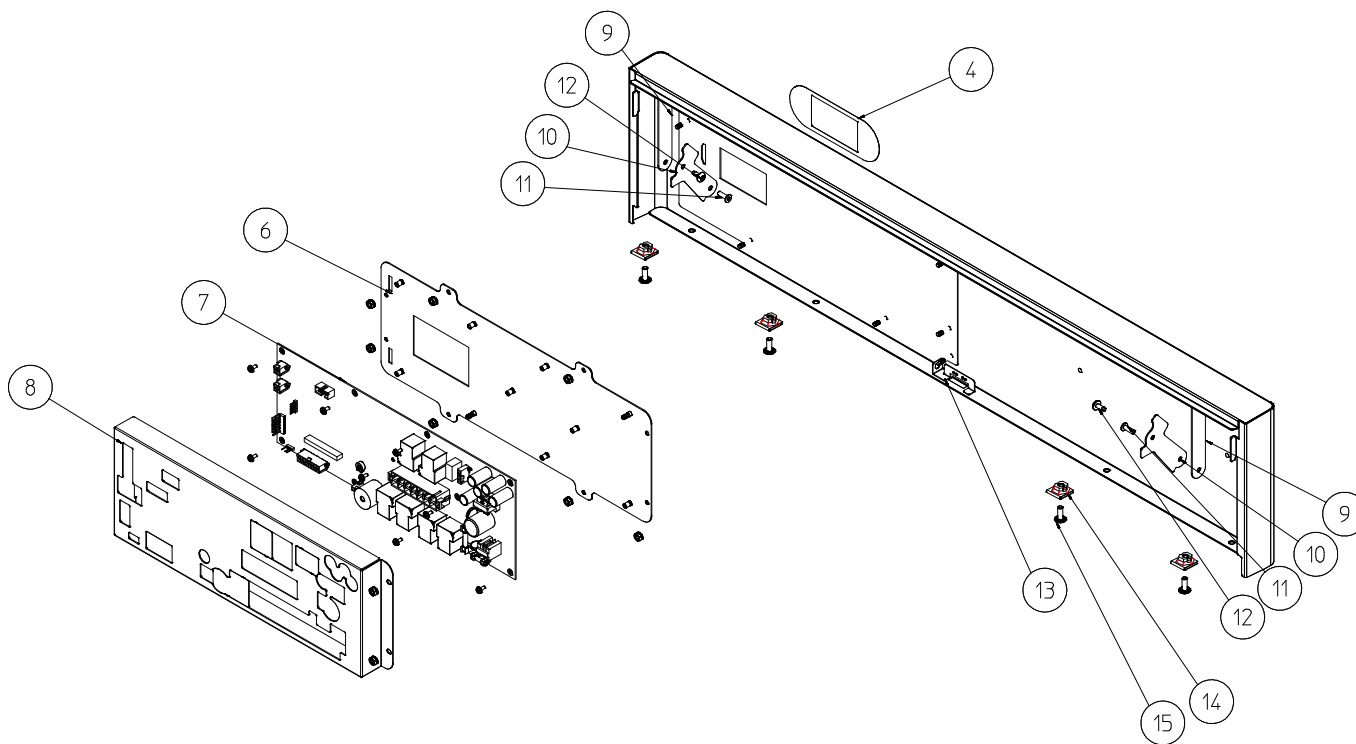
<u>Illus. No.</u>	<u>Part No.</u>	<u>Qty.</u>	<u>Description</u>
1	814653	1	2-Piece Back Guard Assembly (gas and electric) (for models mfd. as of November 18, 2010)
	814654	1	2-Piece Back Guard Assembly (steam) (for models mfd. as of November 18, 2010)
	822363	1	2-Piece Back Guard Assembly (gas and electric) (for models mfd. prior to November 18, 2010)
	822096	1	2-Piece Back Guard Assembly (steam) (for models mfd. prior to November 18, 2010)
	320674	1	Top Back Guard (gas and electric)
	323038	1	Top Back Guard (steam)
	333831	1	Bottom Back Guard (for models mfd. as of November 18, 2010)
	323372	1	Bottom Back Guard (for models mfd. prior to November 18, 2010)
2	851549	1	Tall Left Side Panel Assembly
3	851548	1	Tall Right-Hand Side Panel Assembly
4	822362	1	Top Panel Assembly
5	153064	2	1/4-20 x 1/2" Socket Cap Screw
6	153072	2	1/4" High Collar Lock Washer
7	185426	1	Dual Screw Backup Washer
8	153048	2	Inner Friction Pad
	354217	1	3/4" Plate Spacer ... Not Illustrated
	185240	1	Extended Tumbler Shaft ... Not Illustrated
9	851530	2	Rear Wheel Bracket Assembly (refer to Complete Wheel Assembly on page 16)
10	819365	1	Moisture Sensor Assembly
11	851376	1	Galvanized Tumbler Assembly
	851555	1	Stainless Steel Tumbler Assembly
	115911	1	Front Tumbler Felt
12	102415	1	15 Rib Drive Belt
13	887256	1	Non-Coin Front Support Panel with Auto (black)
	887257	1	Coin Front Support Panel (black)
14	851351*	1	Main Door Assembly with Handle (painted)
	851532	1	Main Door Assembly with Handle (stainless steel)
	103067	3	Door Hinge ... Not Illustrated
15	185183*	1	Main Door Handle
	185182	2	Door Handle Standoff
16	819573	1	Rotation Sensor
17	851384	1	Coin Vault
	819286	1	Coin Vault Jumper Harness
18	125916	1	Coin Box with 2 Keys (each lock keyed different)
19	154059	4	U-Nut Retainer (for models mfd. as of March 9, 2009)
	154061	4	U-Nut Retainer (for models mfd. prior to March 9, 2009)
20	154364	4	#10-16 x 1/2" Phillips Truss Head Screw (for models mfd. as of March 9, 2009)
	183129	4	#10-32 x 1/2" T20 Truss Head Screw (for models mfd. prior to March 9, 2009)
21	851529	2	Front Wheel Bracket Assembly (refer to Complete Wheel Assembly on page 16)
22	102397	1	Door Gasket

* Specify color when ordering.

Microprocessor Control Panel Assembly



MAN7640

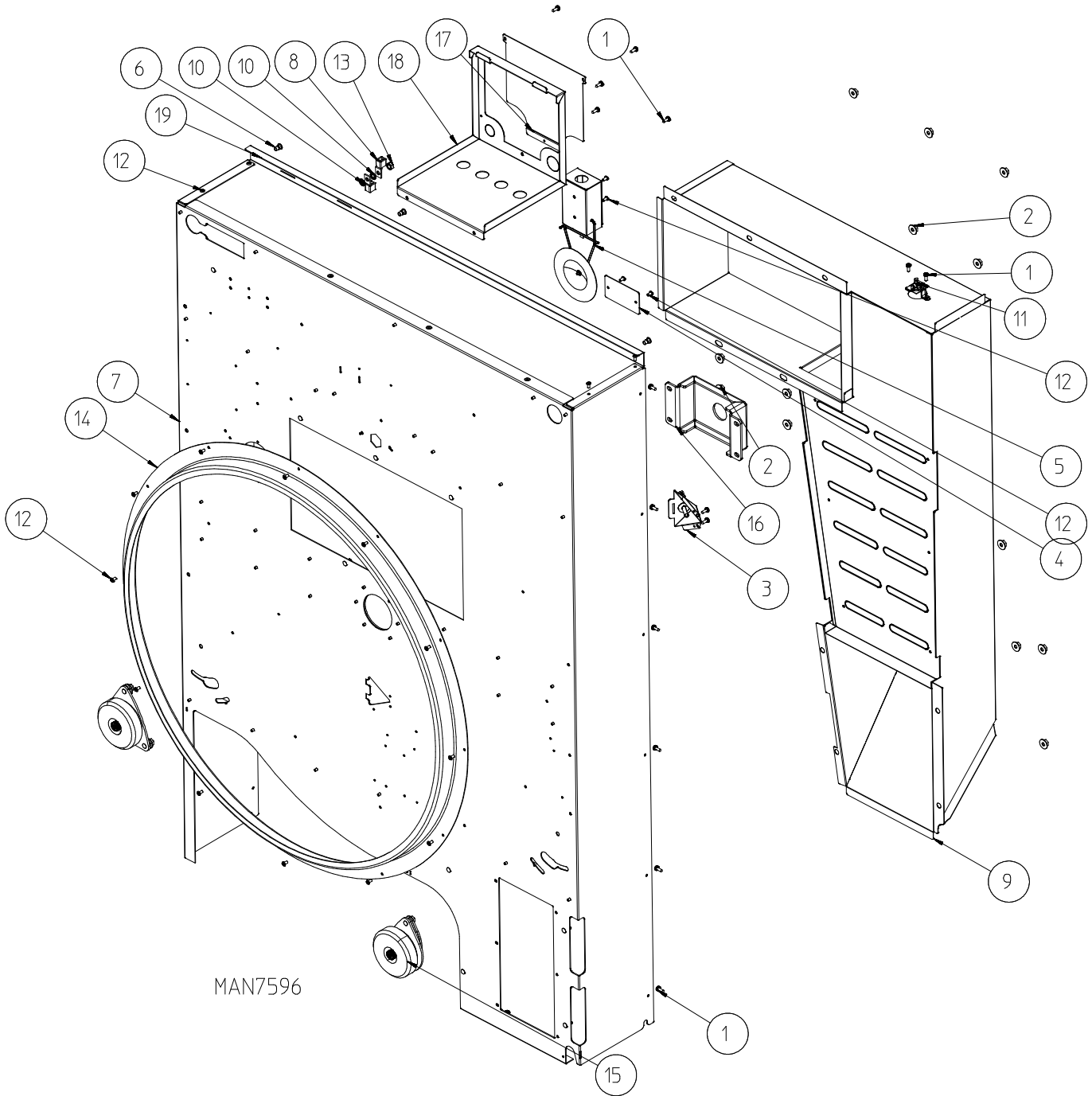


Microprocessor Control Panel Assembly

<u>Illus. No.</u>	<u>Part No.</u>	<u>Qty.</u>	<u>Description</u>
1	828423	1	Phase 8 Coin Control Panel Assembly Complete
	828424	1	Phase 8 Non-Coin Control Panel Assembly Complete (for models mfd. as of October 25, 2013)
	851518	1	Phase 8 Non-Coin Control Panel Assembly (for models mfd. prior to October 25, 2013)
	828379	1	Phase 8 Coin Control Panel
	828376	1	Phase 8 Non-Coin Control Panel (for models mfd. as of October 25, 2013)
	851517	1	Phase 8 Non-Coin Control Panel (for models mfd. prior to October 25, 2013)
	2	825687*	1
825478		1	Lower Panel (stainless steel)
3	160070	1	Lock
	160169	2	Key (ZB7)
4	112605	1	Phase 8 Coin Keypad
	112586	1	Phase 8 Non-Coin Keypad
5	818213	1	25¢ Coin Acceptor Assembly with Optic Switch
	819264	1	Programmable Euro / UK Coin Acceptor
	887041	1	Optic Switch ONLY (for 25¢ coin acceptor)
6	819508	1	Control Mount Assembly
7	887092	1	Phase 8 Non-Coin Microprocessor without Fire Suppression System
	887093	1	Phase 8 Non-Coin Microprocessor with Fire Suppression System
	884479	1	Phase 8 Coin Microprocessor
	819541		Coin Block Jumper Harness (non-coin Only)
	136116	1	3-Amp Fuse
	136056	1	20-Amp Fuse
8	350250	1	Computer Board Cover
9	350203	2	Strain Relief Door Guide Strip
10	350204	2	Strain Relief Cabinet Guide Strip
11	154220	4	Button Head Pop Rivet
12	150313	2	#10-16 x 5 TORX® Screw
	819196	1	Main Door Switch Assembly
13	813411	1	Door Switch Extension Harness ... Not Illustrated
	154061	4	Tinnerman U-Nut Retainer
14	154061	4	Tinnerman U-Nut Retainer
15	183129	4	#10-32 x 1/2" T20 Truss Head Screw

* Specify color when ordering.

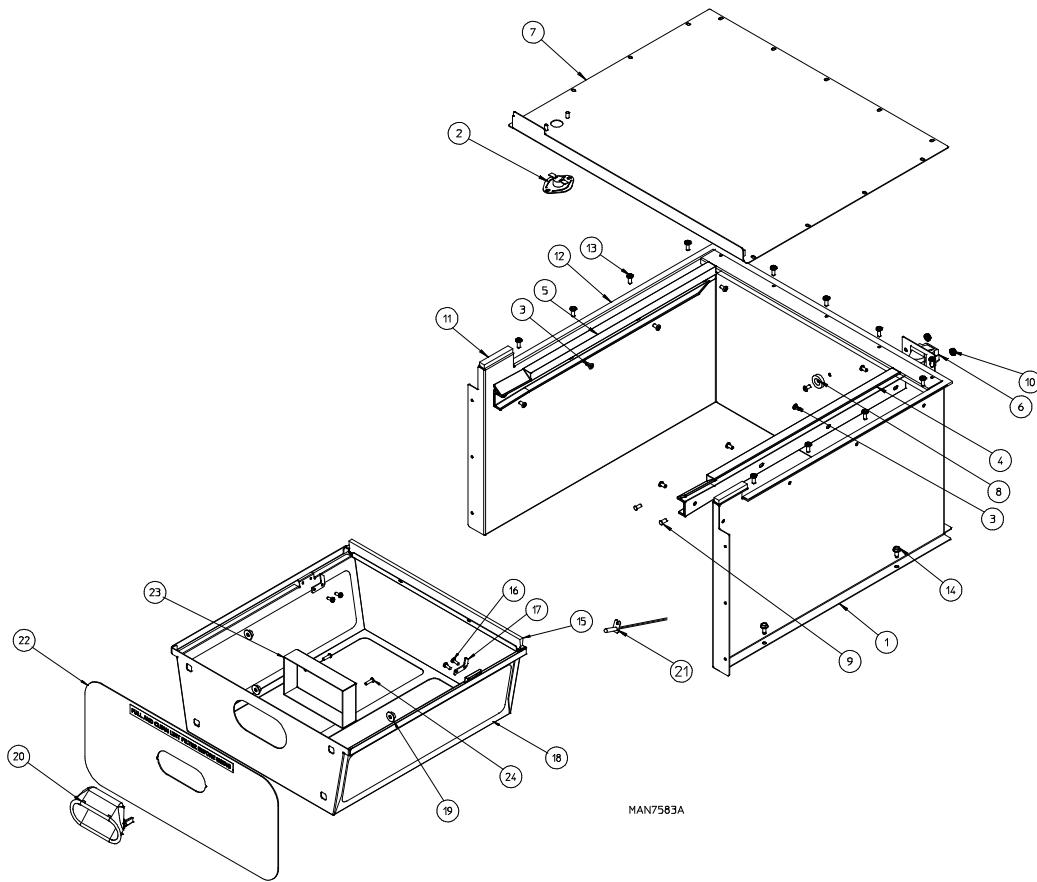
Complete Rear Tumbler Support Panel Assembly



Complete Rear Tumbler Support Panel Assembly

<u>Illus. No.</u>	<u>Part No.</u>	<u>Qty.</u>	<u>Description</u>
1	150331	22	#8-18 x 1/2" Pan Head TORX® Screw
2	152014	13	1/4-20 Serrated Hex Flange Nut
3	828457	1	Axial Probe Assembly
4	318691	1	Cover Plate for No S.A.F.E.
5	828238	1	Sail Switch Assembly (for models mfd. as of October 25, 2013)
	818570	1	Single Sail Switch Assembly (for models mfd. prior to October 25, 2013)
	122200	1	Sail Switch ONLY
6	152111	3	#10-32 Hex Body Rivnut
7	822358	1	Rear Tumbler Support Panel ONLY
	828456		Rear Tumbler Support Panel Complete (gas and electric) (includes illus. nos. 1 through 19)
8	121010	2	L70 14-4 Terminal Lug
9	851262	1	Heat Duct
10	153021	2	1/4" Star Washer
11	183112	1	205° Gas Hi-Limit Thermostat
12	154200	25	5/32" Pop Rivet
13	152002	1	1/4-20 Hex Nut
14	185156	1	Rear Bulkhead with Mounting Holes
15	851530	2	3-1/2" Wheel Bracket with 2 Shims Assembly
16	350228	1	Thrust Bearing Box
17	350238	1	Electric Box Cover Plate
18	319579	1	Rear Electric Box
19	315343	1	Deep Rear Tumbler Support Top Flange

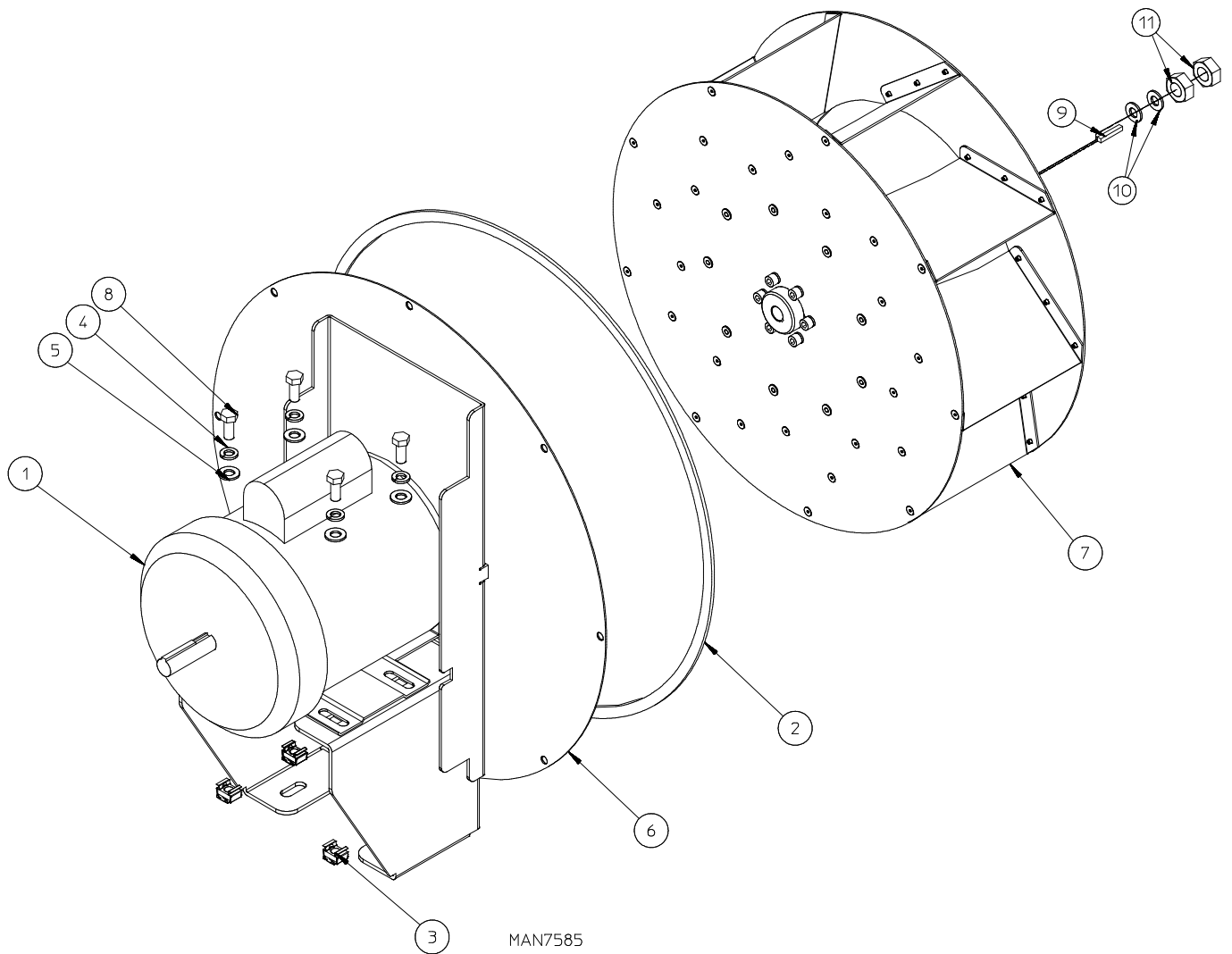
Complete Lint Box and Lint Drawer Assembly



<u>Illus. No.</u>	<u>Part No.</u>	<u>Qty.</u>	<u>Description</u>
1	834719	1	Large Lint Box Assembly Complete
	335058	1	Large Lint Box
2	130119	1	190° Thermostat
3	154200	9	#5-32 Pop Rivet
4	185215	1	Lint Drawer Rail Right Side
5	185216	1	Lint Drawer Rail Left Side
6	819523	1	Lint Drawer Switch Assembly
	122002	1	Lint Drawer Switch ONLY
7	834720	1	Lint Box Top Assembly
8	102004	1	0.75 Round Magnet
9	153564	2	#8-32 x 0.375 Clinch Stud
10	153073	2	#8-32 Keps Nut
11	117605	2	1/4" x 3/8" Sponge Tape (sold by the foot)
12	117604	1	1/8" x 3/8" Sponge Tape (sold by the foot)
13	150331	13	#8-18 x 0.5 TORX® Screw
14	150300	7	#10-16 x 0.75 Hex Washer
15	170171	1	Lint Drawer Brush
16	150331	4	#8-18 x 0.5 TORX® Screw
17	185423	2	Lint Drawer Stop
18	828430	1	Lint Drawer Assembly Complete (painted)
19	851536	4	Lint Drawer Clinch Nut Plate
20	185148*	1	Lint Drawer Handle (painted)
21	836028	1	Exhaust Temperature Probe
22	828429	1	Lint Handle Black with Graphics
23	333693	1	Handle Cup
24	150334	2	#8-16 x 5/8" Pan Head Plastic Screw

* Specify color when ordering.

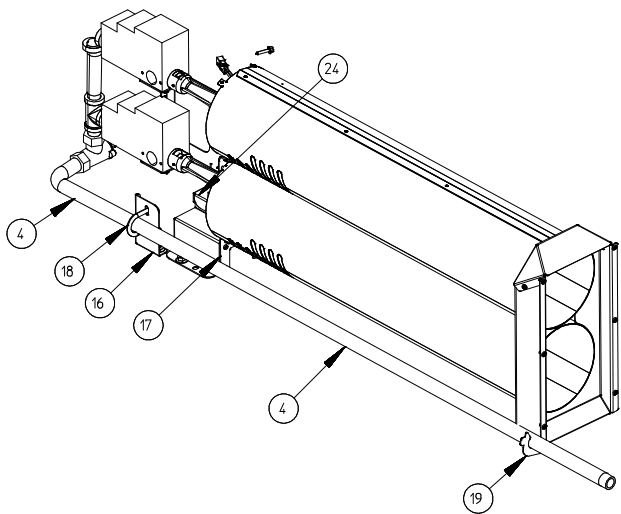
Totally Enclosed, Fan-Cooled Motor Mount Assembly



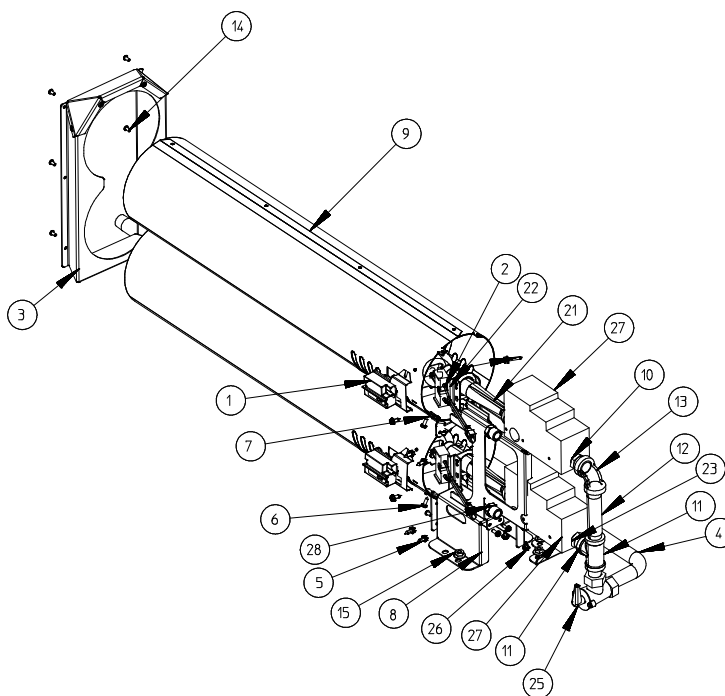
Illus. No.	Part No.	Qty.	Description
1	834723	1	Large Blower Motor Assembly Complete (60 Hz)
	100069	1	3/4 hp Blower Motor (60 Hz)
2	117604*	1	1/8" x 3/8" Sponge Tape
3	154000	5	5/16-18 Tinnerman Clip
4	153002	4	5/16" Lock Washer
5	153001	4	5/16" Flat Washer
6	834724	1	Large Motor Mount
7	822364	1	16" Riveted Impellor (1/2" Bore)
8	150501	4	5/16-18 x 3/4" Hex Bolt
9	100702	1	1/8" x 1/8" x 1-1/2" Key
10	153050	2	1/2" S.A.F.E. Flat Washer
11	152006	2	1/2-20 Left Hand Jam Nut

* Sold by the foot.

Natural Gas 60 Hz Burner Assembly



MAN7584B

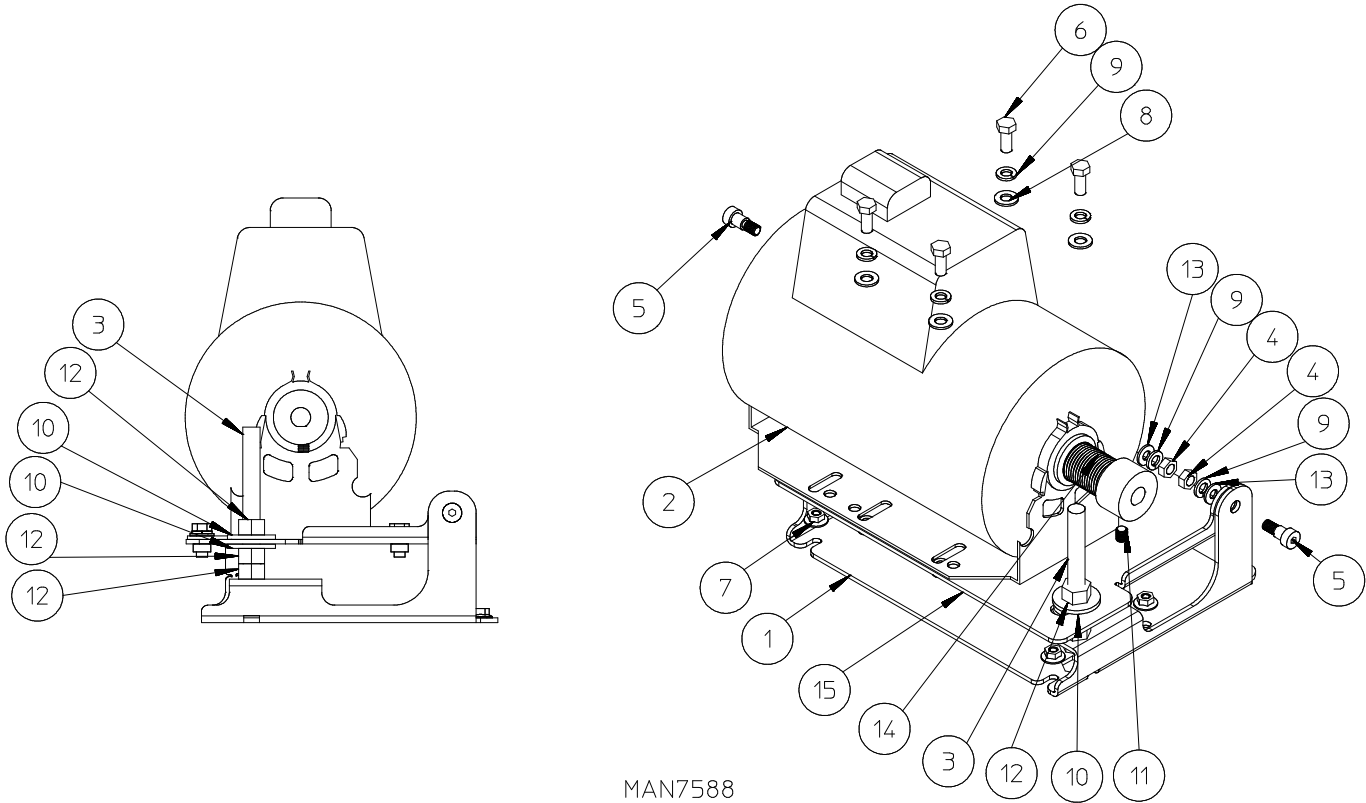


Natural Gas 60 Hz Burner Assembly

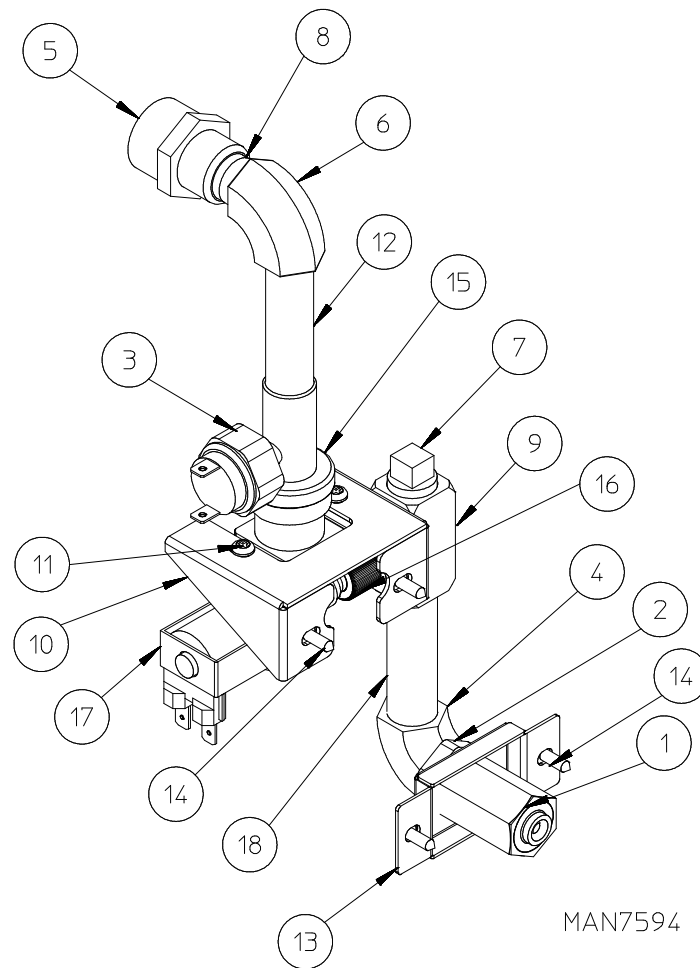
<u>Illus. No.</u>	<u>Part No.</u>	<u>Qty.</u>	<u>Description</u>
1	130500	2	Radiant Sensor
2	128910	2	Glo-Bar 80V
3	851387	1	Burner Tube Transition Assembly
4	143349	1	1/2" Gas Pipe
5	152208	6	#10-32 x 1/2" Sheet Metal Screw
6	150331	7	#8-18 x 1/2" TORX® Screw
7	350217	1	Gas Burner Funnel Support Bracket
8	350221	1	Dual Gas Burner Support Bracket
9	822357	1	Dual Gas Burner Assembly Complete
	323037	2	Round Gas Burner Tube ONLY
10	142953	2	3/8" x 1/2" Steel Bushing
11	142820	1	1/2" x 1/2" x 1/2" Gas Pipe tee
12	142703	1	1/2" x 4" Pipe Nipple
13	142500	2	1/2" 90° Elbow
14	154200	14	5/32" Pop Rivet
15	152014	4	1/4" x 20 Free Spin Washer Nut
16	350218	1	Front Gas Pipe Bracket
17	350218	1	Gas Burner Bottom Support
19	154355	1	U-Bolt for 1/2" Gas Pipe Support
20	183145	2	Glo-Bar Mounting Screw with Washer
21	183144	2	Inshot Hot Surface Ignition Tube
22	185063	2	Hot Surface Ignition Igniter Bracket
23	183137	2	3/8" Close Nipple
24	350271	1	Dual Gas Valve Bracket
25	141321	1	1/2" N.P.T. 90° Shutoff Valve
26	152209	6	Tapping Screw
27	832206	2	Gas Valve Assembly
28*	140797	2	#26 Natural Gas Orifice
	140799	2	#42 Liquid Propane Gas Orifice
	887293	1	Liquid Propane Conversion Kit

* Consult factory for elevation over 2,000 feet for correct burner orifice size.

Complete Drive Motor Assembly



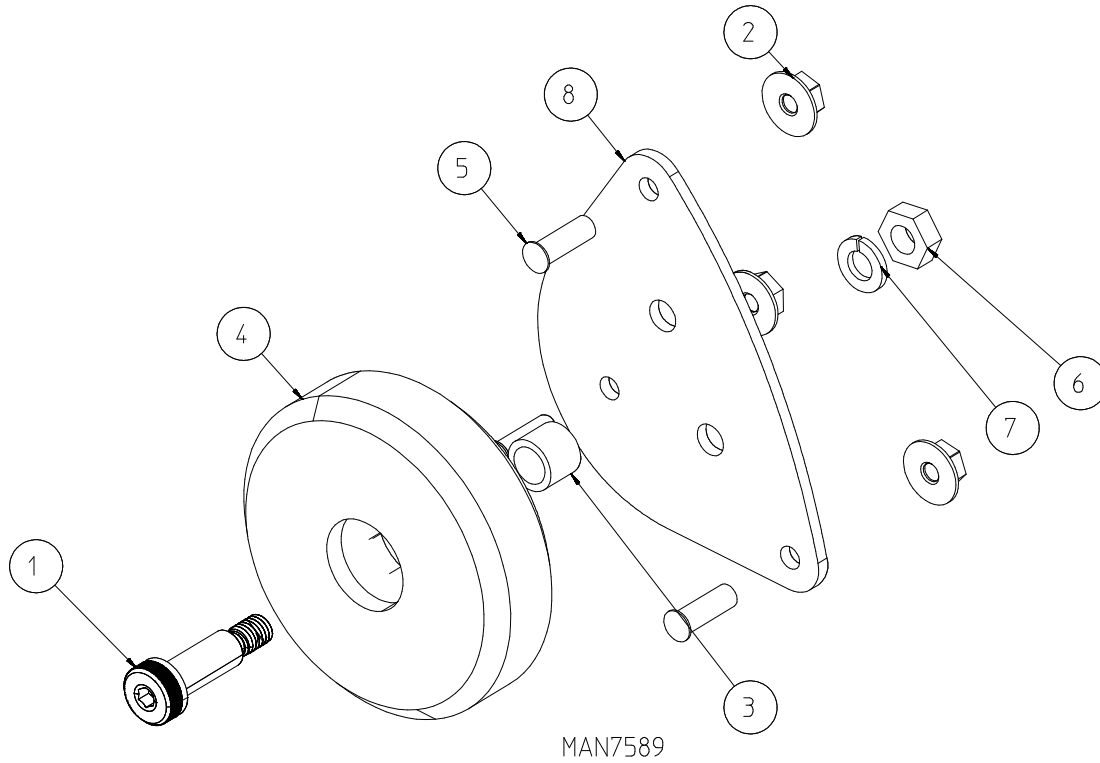
<u>Illus. No.</u>	<u>Part No.</u>	<u>Qty.</u>	<u>Description</u>
1	350301	1	Motor Mount Base Plate
2	819594	1	Drive Motor Assembly Complete (60 Hz)
	887221	1	Drive Motor with Sheave (60 Hz)
3	150609	1	1/2-13 x 4-1/2" Tap Bolt
4	152004	2	5/16-18 Hex Nut
5	154266	2	3/8" x 3/8" Shoulder Screw
6	150501	4	5/16-18 x 3/4" Tap Bolt Hex Head
7	152014	5	1/4-20 Free Spin Wash Nut
8	153001	4	5/16" Flat Washer
9	153002	6	5/16" Split Lock Washer
10	153033	2	1/2" x 1-3/8" Flat Washer
11	154321	1	5/16-24 x 3/8" Alan Setscrew
12	152011	3	1/2-13 Hex Nut
13	153018	2	1/4" Flat Washer
14	323373	1	60 Hz Motor Sheave
15	851543	1	Motor Platform Assembly



MAN7594

<u>Illus. No.</u>	<u>Part No.</u>	<u>Qty.</u>	<u>Description</u>
1	143581	1	S.A.F.E. 3 GPM 3/8" N.P.T. Spray Nozzle
2	143303	1	3/8" N.P.T. Brass Lock Nut
3	136987	1	Water Jet Pressure Switch
4	143155	1	3/8" Brass Street Elbow
5	143025	1	3/4-11 NH x 3/8" N.P.T. Nylon Hose Adapter
6	143310	1	3/8" Brass 90° Elbow
7	143251	1	3/8" M.P.T. Brass Plug
8	143241	1	3/8" x Close Brass Nipple
9	143220	1	3/8" F.P.T. Brass Tee
10	319231	1	S.A.F.E. Valve Bracket
11	154338	2	M4 x 6mm Phillips Head Slotted Machine Screw
12	143242	1	3/8" x 2-1/2" Brass Nipple
13	318422	1	S.A.F.E. Bracket
14	150331	4	#8-18 x 1/2" Pan Head TORX® Screw
15	143182	1	3/4" GHT x 1/8" x 3/8" N.P.T. Brass Tee
16	143183	1	7/16-20 x 3/8" N.P.T. Brass Adapter 2
17	165120	1	S.A.F.E. Water Inlet Valve 24VDC
18	143323	1	3/8" x 3" Brass Nipple
—	114110	1	S.A.F.E. Water Supply Warning Tag

Complete Wheel Assembly



<u>Illus. No.</u>	<u>Part No.</u>	<u>Qty.</u>	<u>Description</u>
1	154264	1	10 M8 x 25mm Shoulder Bolt
2	152014	3	1/4-20 Free Spin Wash Nut
3	154284	1	Tumbler Wheel Spacer
4	180060	1	3-1/2" Tumbler Support Wheel
5	153557	3	1/4-20 x 3/4" Self-Clinching Stud
6	154013	1	M8 Hex Nut
7	153002	1	5/16" Lock Washer
8	350196	1	1/2" Wheel Bracket
	851529	2	Front Wheel Assembly Complete
	851530	2	Rear Wheel Assembly Complete ... Not Illustrated
-	350198	4	Rear Wheel Bracket Shim ... Not Illustrated (rear Only)

Duplicate all parts for rear wheels.

Multiple horizontal lines for writing notes.

