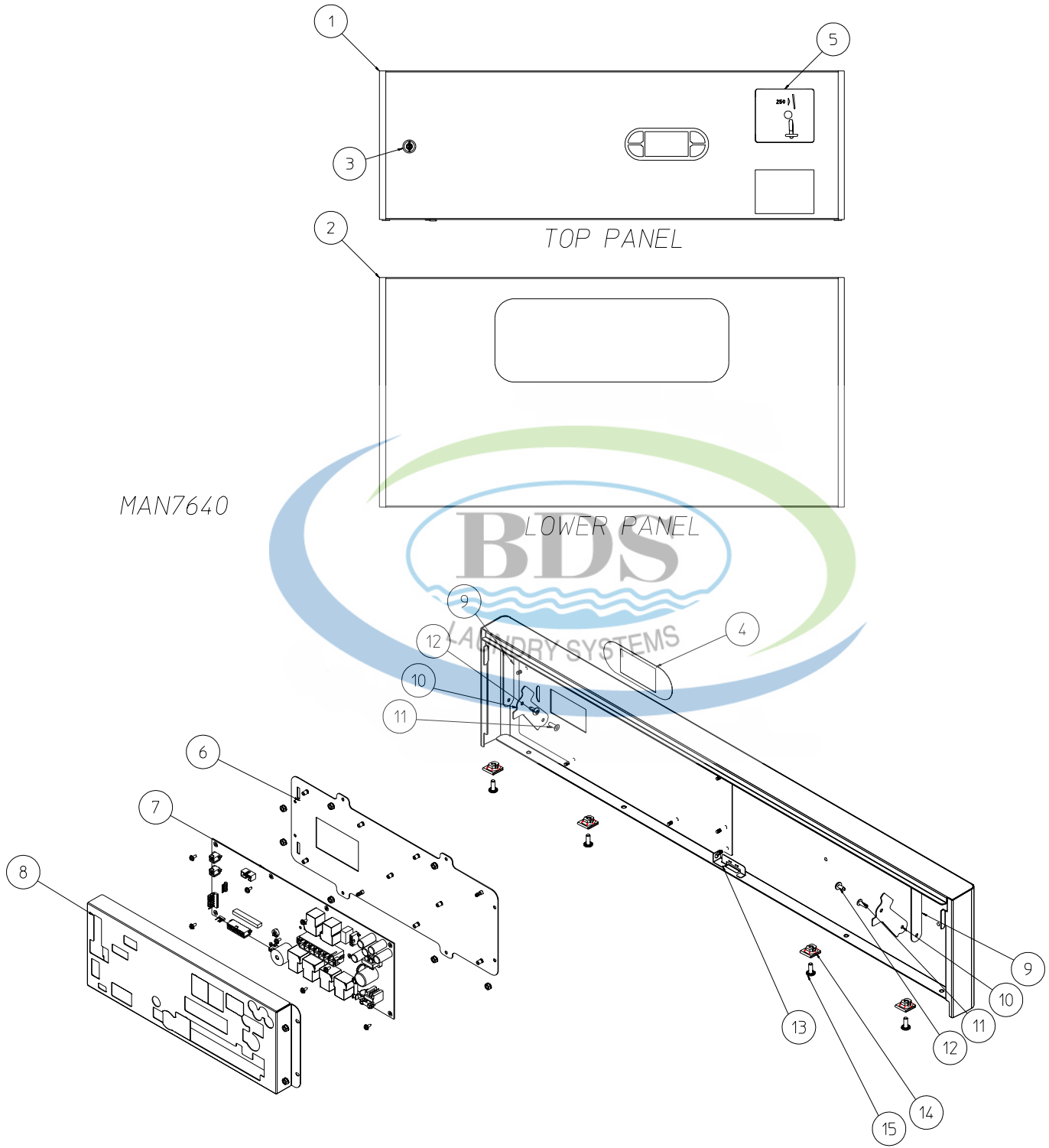


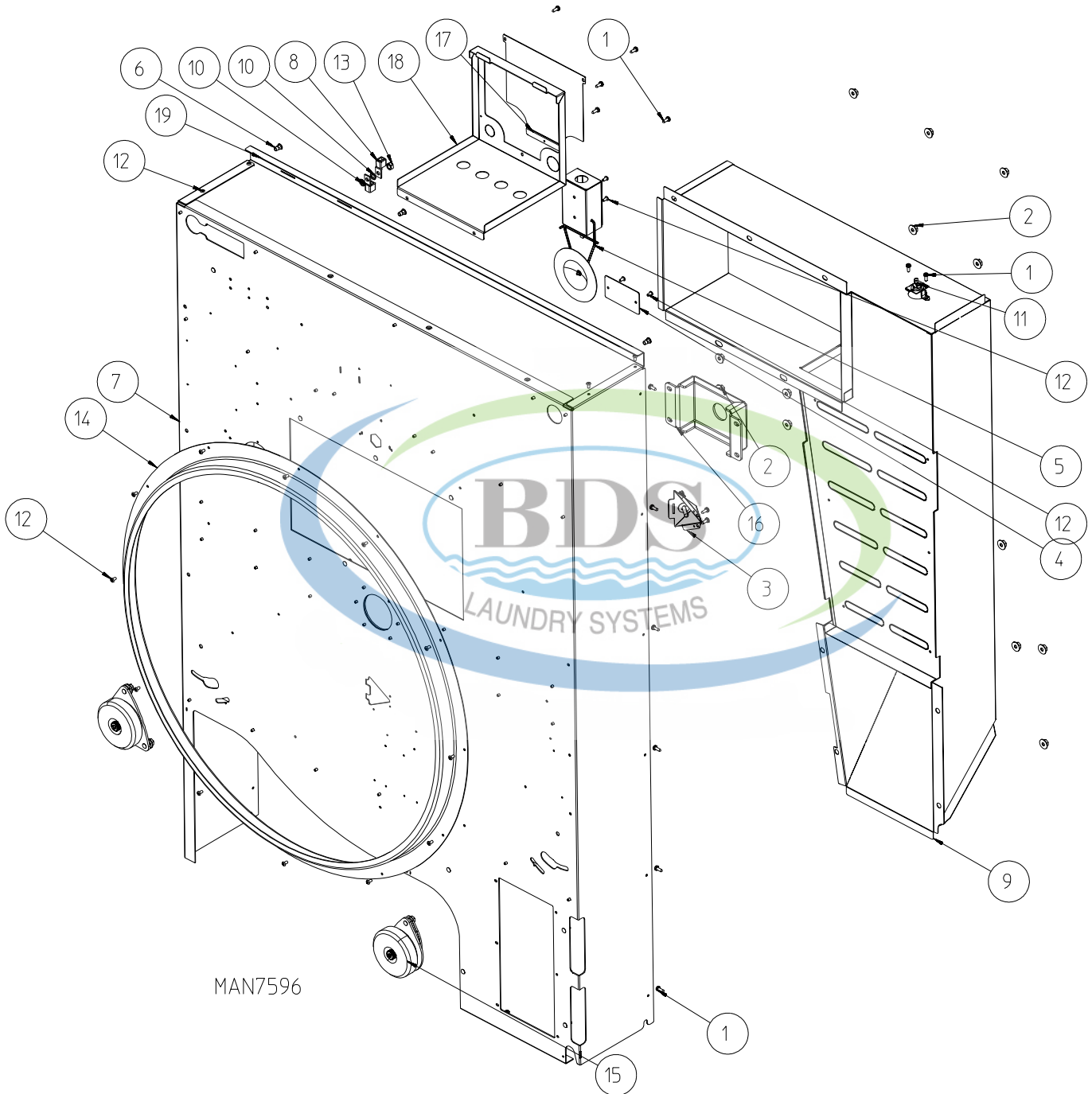
| <u>Illus. No.</u> | <u>Part No.</u> | <u>Qty.</u> | <u>Description</u> |
|-------------------|-----------------|-------------|--|
| 1 | 822363 | 1 | 2-Piece Back Guard Assembly (gas and electric) |
| | 320674 | 1 | Top Back Guard (gas and electric) |
| | 323372 | 1 | Bottom Back Guard |
| 2 | 851549 | 1 | Tall Left Side Panel Assembly |
| 3 | 851548 | 1 | Tall Right Hand Side Panel Assembly |
| 4 | 822362 | 1 | Top Panel Assembly |
| 5 | 153064 | 2 | 1/4-20 x 1/2" Socket Cap Screw |
| 6 | 153072 | 2 | 1/4" High Collar Lock Washer |
| 7 | 185426 | 1 | Dual Screw Backup Washer |
| 8 | 153048 | 2 | Inner Friction Pad |
| | 354217 | 1 | 3/4" Plate Spacer ... Not Illustrated |
| | 185240 | 1 | Extended Tumbler Shaft ... Not Illustrated |
| 9 | 851530 | 2 | Rear Wheel Bracket Assembly |
| | 180060 | 2 | 3-1/2" Wheel ONLY |
| 10 | 131819 | 1 | DPDT Reversing Relay 120V |
| | 131818 | 1 | DPDT Reversing Relay 208-240V |
| 11 | 851376 | 1 | Galvanized Tumbler Assembly |
| | 851555 | 1 | Stainless Steel Tumbler Assembly |
| 12 | 102415 | 1 | 15 Rib Drive Belt |
| 13 | 887256 | 1 | Non-Coin Front Support Panel with Auto (black) |
| | 887257 | 1 | Coin Front Support Panel (black) |
| 14 | 851274* | 1 | Main Door Assembly with Handle (painted) |
| | 851272 | 1 | Main Door Assembly with Handle (stainless steel) |
| | 103067 | 3 | Door Hinge ... Not Illustrated |
| 15 | 170233* | 1 | Main Door Handle |
| 16 | 818370 | 1 | Rotation Sensor |
| 17 | 851384 | 1 | Coin Vault |
| | 122002 | 1 | Coin Vault Switch ... Not Illustrated |
| | 819286 | | Coin Vault Jumper Harness |
| 18 | 125916 | 1 | Coin Box with 2 Keys (each lock keyed different) |
| 19 | 154061 | 4 | Tinnerman U-Nut Retainer |
| 20 | 183129 | 4 | #10-32 x 1/2" T20 Truss Head Screw |
| 21 | 851529 | 2 | Front Wheel Bracket Assembly |
| | 180060 | 2 | 3-1/2" Wheel ONLY |
| 22 | 102397 | 1 | Door Gasket |

* Specify color when ordering.



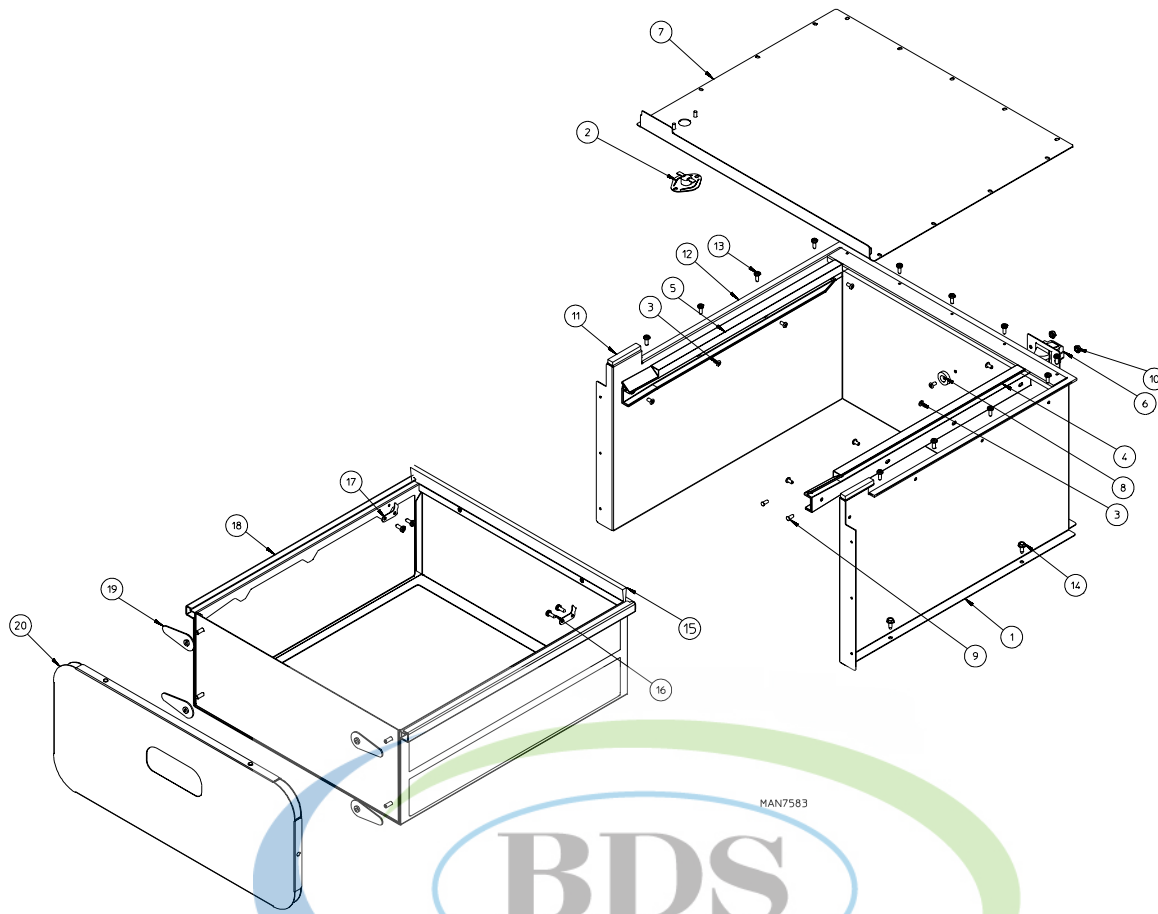
| <u>Illus. No.</u> | <u>Part No.</u> | <u>Qty.</u> | <u>Description</u> |
|-------------------|-----------------|-------------|--|
| 1 | 851522 | 1 | Phase 8 Coin Control Panel Assembly Complete |
| | 851518 | 1 | Phase 8 Non-Coin Control Panel Assembly Complete |
| | 851521 | 1 | Phase 8 Coin Control Panel (panel Only) |
| | 851517 | 1 | Phase 8 Non-Coin Control Panel (panel Only) |
| 2 | 825687* | 1 | Lower Panel (painted) |
| | 825478 | 1 | Lower Panel (stainless steel) |
| 3 | 160040 | 1 | XX4451 Lock |
| | 160140 | 2 | XX4451 Key |
| | 122200 | 1 | Microswitch |
| | 160066 | 1 | Offset Cam for Lock |
| | 154004 | 1 | Twin Speed Nut |
| 4 | 112587 | 1 | Phase 8 Coin Keypad |
| | 112586 | 1 | Phase 8 Non-Coin Keypad |
| 5 | 818213 | 1 | 25¢ Coin Acceptor Assembly with Optic Switch |
| | 819264 | 1 | Programmable Euro / UK Coin Acceptor |
| | 887041 | 1 | Optic Switch ONLY (for 25¢ coin acceptor) |
| 6 | 819508 | 1 | Control Mount Assembly |
| 7 | 887092 | 1 | Phase 8 Microprocessor without Fire Suppression System |
| | 887093 | 1 | Phase 8 Microprocessor with Fire Suppression System |
| | 819541 | 1 | Coin Block Jumper Harness (non-coin Only) |
| | 136116 | 1 | 3-Amp Fuse |
| | 136056 | 1 | 20-Amp Fuse |
| 8 | 350250 | 1 | Computer Board Cover |
| 9 | 350203 | 2 | Strain Relief Door Guide Strip |
| 10 | 350204 | 2 | Strain Relief Cabinet Guide Strip |
| 11 | 154220 | 4 | Button Head Pop Rivet |
| 12 | 150313 | 2 | #10-16 x 5 TORX® Screw |
| 13 | 819196 | 1 | Main Door Switch Assembly |
| | 813411 | 1 | Door Switch Extension Harness ... Not Illustrated |
| 14 | 154061 | 4 | Tinnerman U-Nut Retainer |
| 15 | 183129 | 4 | #10-32 x 1/2" T20 Truss Head Screw |

* Specify color when ordering.



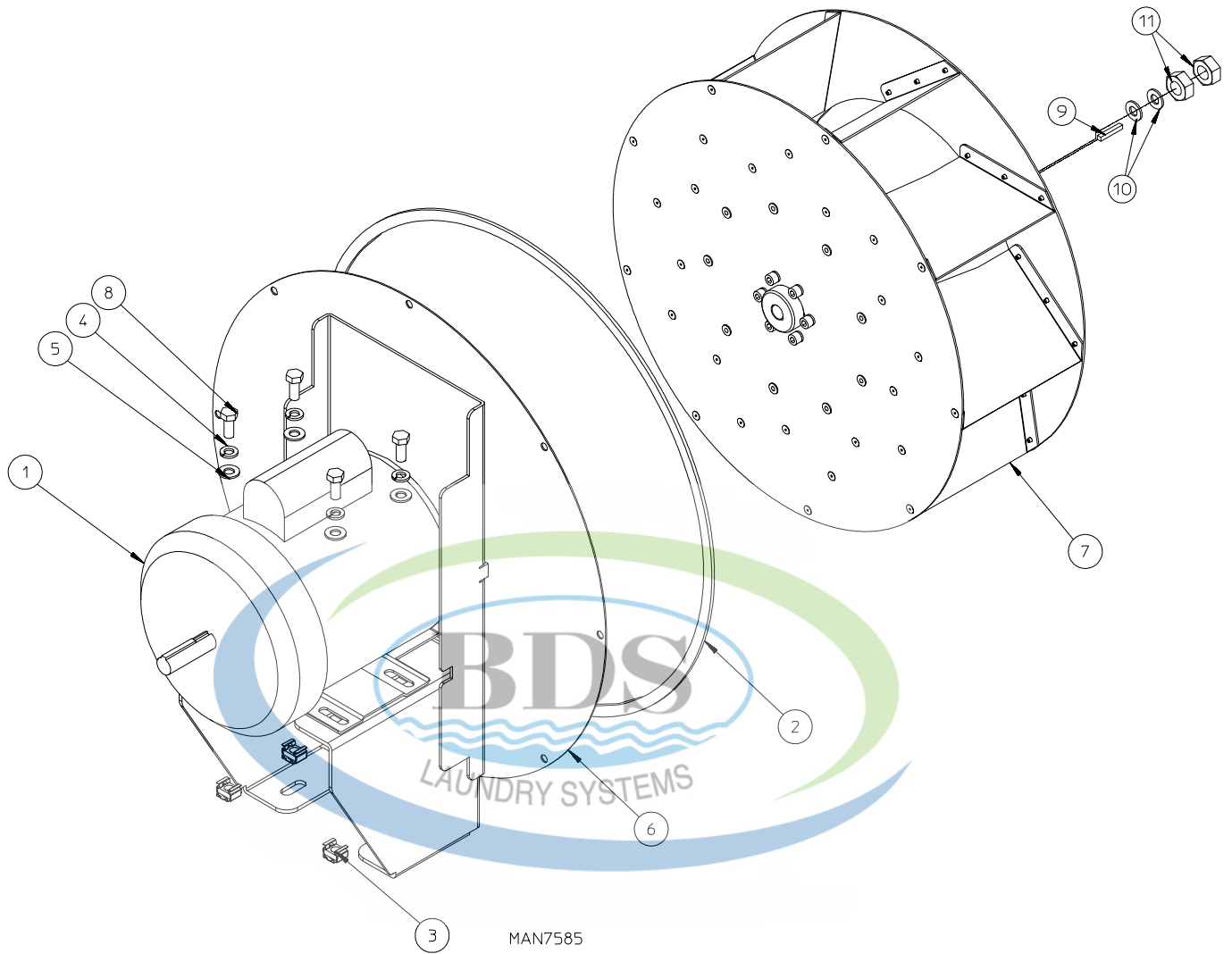
| <u>Illus. No.</u> | <u>Part No.</u> | <u>Qty.</u> | <u>Description</u> |
|-------------------|-----------------|-------------|---|
| 1 | 150331 | 22 | #8-18 x 1/2" Pan Head TORX® Screw |
| 2 | 152014 | 13 | 1/4-20 Serrated Hex Flange Nut |
| 3 | 851258 | 1 | Axial Probe Assembly |
| 4 | 318691 | 1 | Cover Plate for No S.A.F.E. |
| 5 | 818570 | 1 | Single Sail Switch Assembly |
| | 122200 | 1 | Sail Switch ONLY |
| 6 | 152111 | 3 | #10-32 Hex Body Rivnut |
| 7 | 822358 | 1 | Rear Tumbler Support Panel ONLY |
| | 825961 | | Rear Tumbler Support Panel Complete (gas and electric) (includes illus. nos. 1 through 19) |
| 8 | 121010 | 2 | L70 14-4 Terminal Lug |
| 9 | 851262 | 1 | Heat Duct |
| 10 | 153021 | 2 | 1/4" Star Washer |
| 11 | 183112 | 1 | 205° Gas Hi-Limit Thermostat |
| 12 | 154200 | 25 | 5/32" Pop Rivet |
| 13 | 152002 | 1 | 1/4-20 Hex Nut |
| 14 | 185156 | 1 | Rear Bulkhead with Mounting Holes |
| 15 | 851530 | 2 | 3-1/2" Wheel Bracket with 2 Shims Assembly |
| 16 | 350228 | 1 | Thrust Bearing Box |
| 17 | 350238 | 1 | Electric Box Cover Plate |
| 18 | 319579 | 1 | Rear Electric Box |
| 19 | 315343 | 1 | Deep Rear Tumbler Support Top Flange |





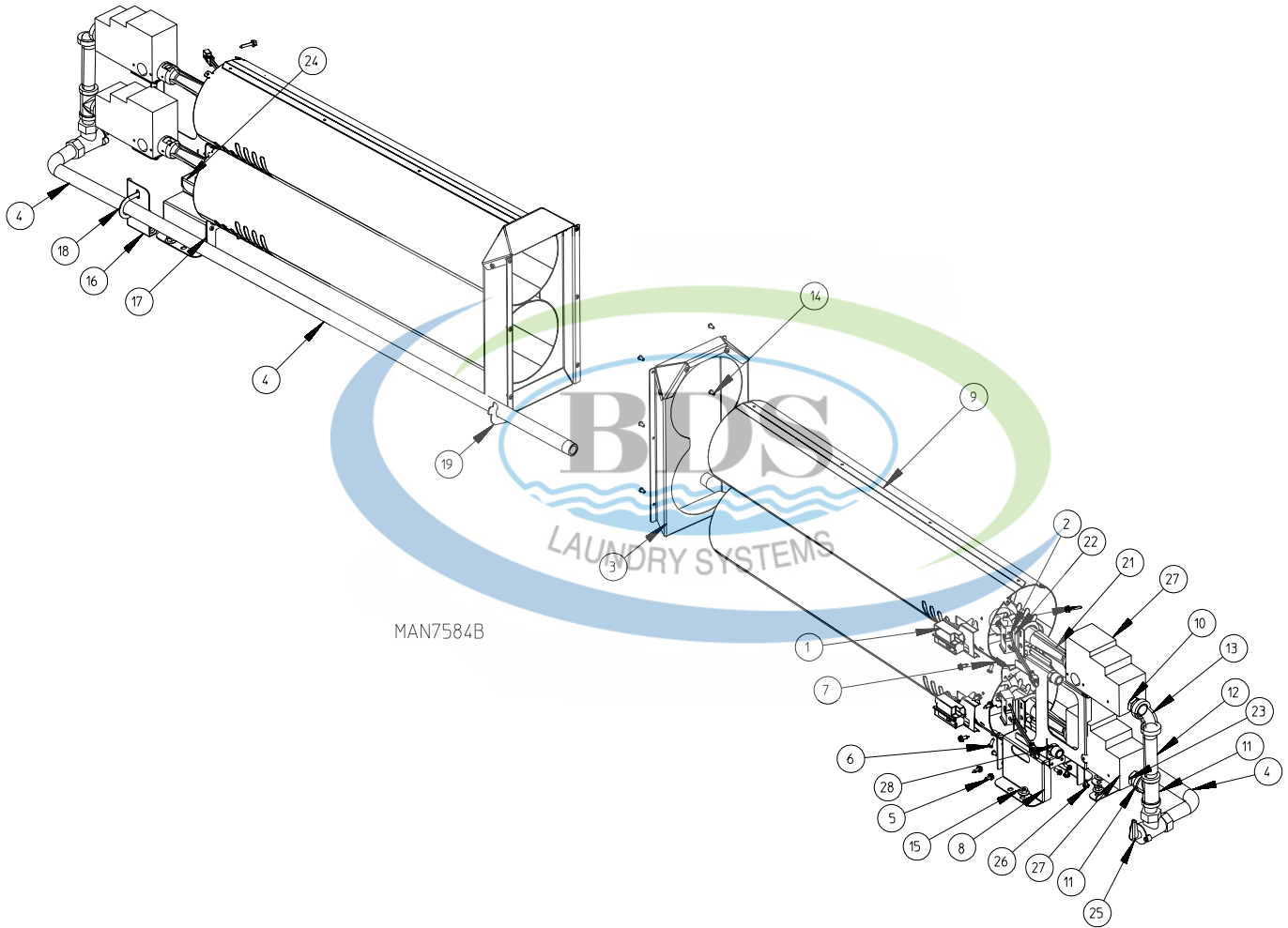
| Illus. No. | Part No. | Qty. | Description |
|------------|----------|------|---|
| 1 | 834719 | 1 | Large Lint Box Assembly Complete |
| | 335058 | 1 | Large Lint Box |
| 2 | 130119 | 1 | 190° Thermostat |
| 3 | 154200 | 9 | #5-32 Pop Rivet |
| 4 | 185215 | 1 | Lint Drawer Rail Right Side |
| 5 | 185216 | 1 | Lint Drawer Rail Left Side |
| 6 | 819523 | 1 | Lint Drawer Switch Assembly |
| | 122002 | 1 | Lint Drawer Switch ONLY |
| 7 | 834720 | 1 | Lint Box Top Assembly |
| 8 | 102004 | 1 | .75 Round Magnet |
| 9 | 153564 | 2 | #8-32 x .375 Clinch Stud |
| 10 | 153073 | 2 | #8-32 Keps Nut |
| 11 | 117605 | 2 | 1/4" x 3/8" Sponge Tape (sold by the foot) |
| 12 | 117604 | 1 | 1/8" x 3/8" Sponge Tape (sold by the foot) |
| 13 | 150331 | 13 | #8-18 x .5 TORX® Screw |
| 14 | 150300 | 7 | #10-16 x .75 Hex Washer |
| 15 | 170171 | 1 | Lint Drawer Brush |
| 16 | 150331 | 4 | #8-18 x .5 TORX® Screw |
| 17 | 185423 | 2 | Lint Drawer Stop |
| 18 | 834717* | 1 | Lint Drawer Assembly Complete (painted) |
| | 825509 | 1 | Lint Drawer Assembly Complete (stainless steel) |
| | 825690 | 1 | Lint Drawer (no handle) |
| 19 | 851536 | 4 | Lint Drawer Clinch Nut Plate |
| 20 | 834718* | 1 | Lint Drawer Handle (painted) |
| | 825508 | 1 | Lint Drawer Handle (stainless steel) |

* Specify color when ordering.



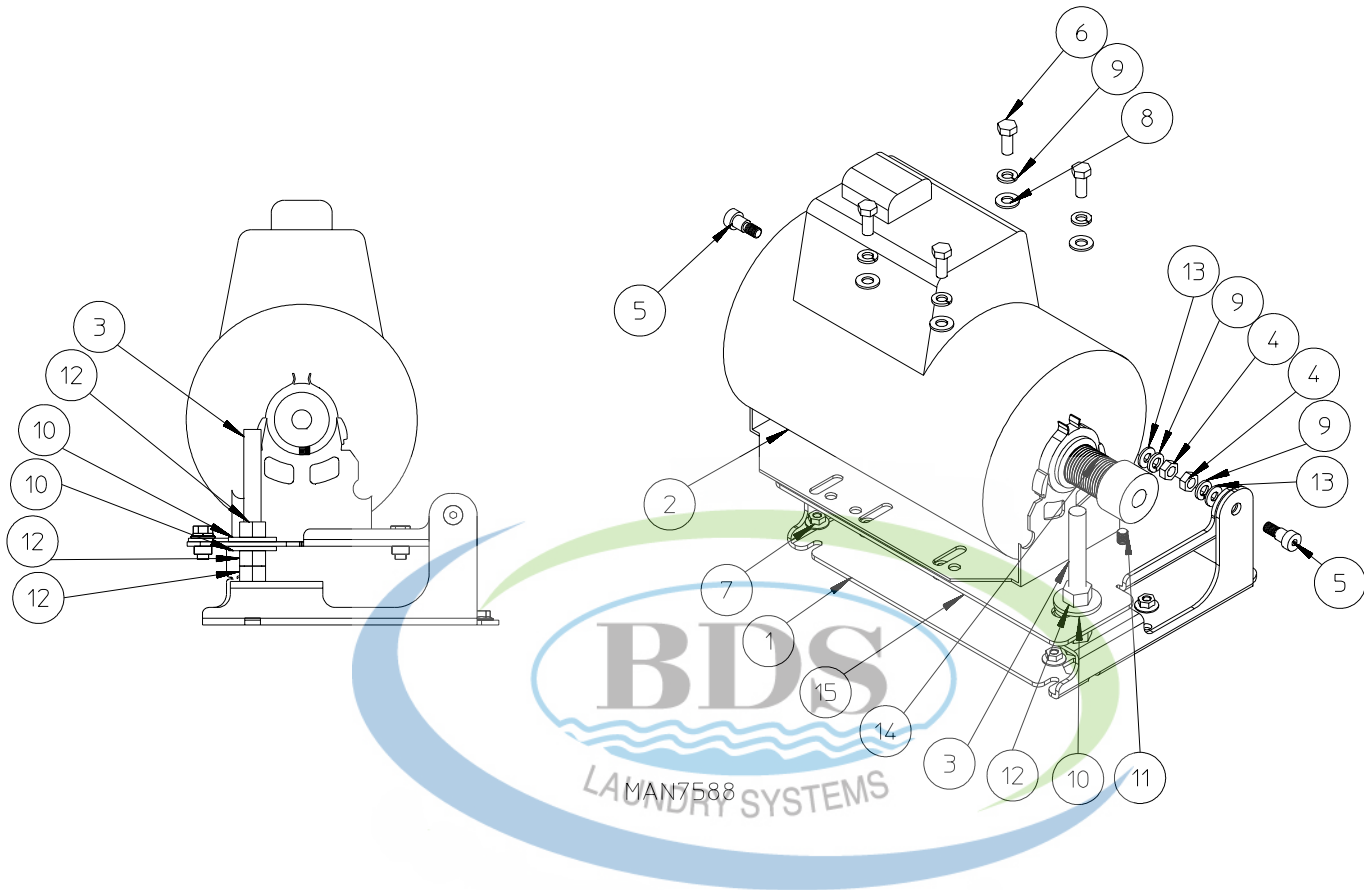
| Illus. No. | Part No. | Qty. | Description |
|------------|----------|------|--|
| 1 | 834723 | 1 | Large Blower Motor Assembly Complete (60 Hz) |
| | 100069 | 1 | 3/4 hp Blower Motor (60 Hz) |
| 2 | 117604* | 1 | 1/8" x 3/8" Sponge Tape |
| 3 | 154000 | 5 | 5/16-18 Tinnerman Clip |
| 4 | 153002 | 4 | 5/16" Lock Washer |
| 5 | 153001 | 4 | 5/16" Flat Washer |
| 6 | 834724 | 1 | Large Motor Mount |
| 7 | 822364 | 1 | 16" Riveted Impellor (1/2" Bore) |
| 8 | 150501 | 4 | 5/16-18 x 3/4" Hex Bolt |
| 9 | 100702 | 1 | 1/8" x 1/8" x 1-1/2" Key |
| 10 | 153050 | 2 | 1/2" S.A.F.E. Flat Washer |
| 11 | 152006 | 2 | 1/2-20 Left Hand Jam Nut |

* Sold by the foot.

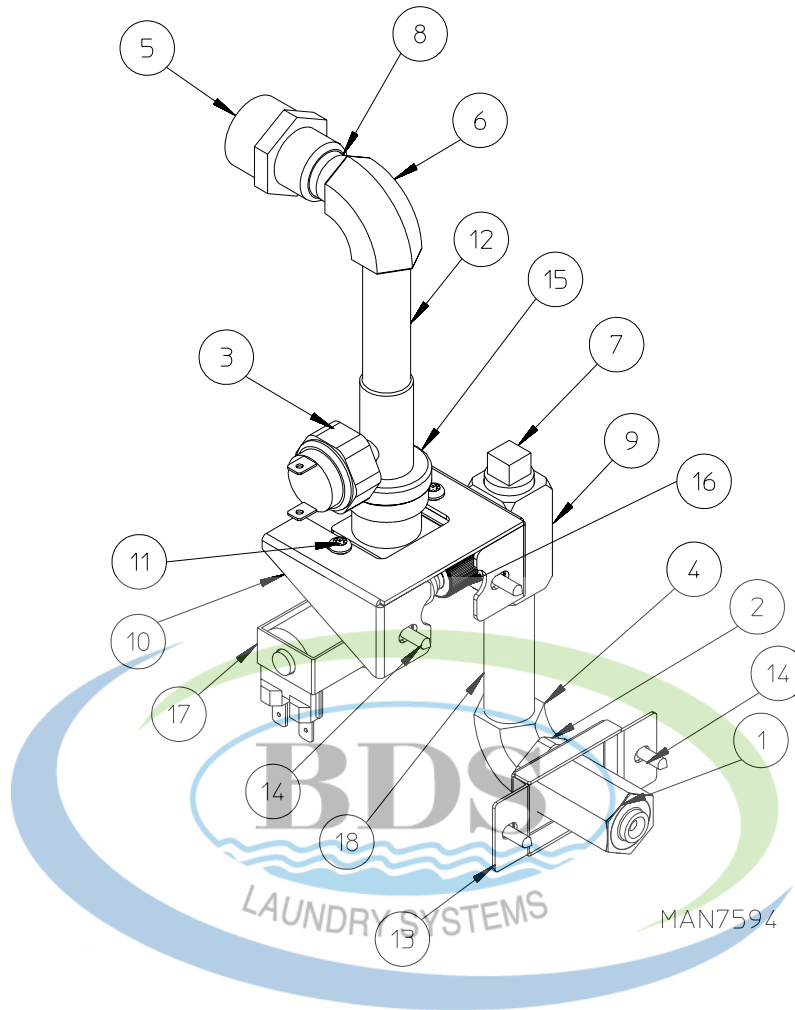


| <u>Illus. No.</u> | <u>Part No.</u> | <u>Qty.</u> | <u>Description</u> |
|-------------------|-----------------|-------------|--------------------------------------|
| 1 | 130500 | 2 | Radiant Sensor |
| 2 | 128910 | 2 | Glo-Bar 80V |
| 3 | 851387 | 1 | Burner Tube Transition Assembly |
| 4 | 143349 | 1 | 1/2" Gas Pipe |
| 5 | 152208 | 6 | #10-32 x 1/2" Sheet Metal Screw |
| 6 | 150331 | 7 | #8-18 x 1/2" TORX® Screw |
| 7 | 350217 | 1 | Gas Burner Funnel Support Bracket |
| 8 | 350221 | 1 | Dual Gas Burner Support Bracket |
| 9 | 822357 | 1 | Dual Gas Burner Assembly Complete |
| | 323037 | 2 | Round Gas Burner Tube ONLY |
| 10 | 142953 | 2 | 3/8" x 1/2" Steel Bushing |
| 11 | 142820 | 1 | 1/2" x 1/2" x 1/2" Gas Pipe tee |
| 12 | 142703 | 1 | 1/2" x 4" Pipe Nipple |
| 13 | 142500 | 2 | 1/2" 90° Elbow |
| 14 | 154200 | 14 | 5/32" Pop Rivet |
| 15 | 152014 | 4 | 1/4" x 20 Free Spin Washer Nut |
| 16 | 350218 | 1 | Front Gas Pipe Bracket |
| 17 | 350218 | 1 | Gas Burner Bottom Support |
| 19 | 154355 | 1 | U-Bolt for 1/2" Gas Pipe Support |
| 20 | 183145 | 2 | Glo-Bar Mounting Screw with Washer |
| 21 | 183144 | 2 | Inshot Hot Surface Ignition Tube |
| 22 | 185063 | 2 | Hot Surface Ignition Igniter Bracket |
| 23 | 183137 | 2 | 3/8" Close Nipple |
| 24 | 350271 | 1 | Dual Gas Valve Bracket |
| 25 | 141321 | 1 | 1/2" N.P.T. 90° Shutoff Valve |
| 26 | 152209 | 6 | Tapping Screw |
| 27 | 832206 | 2 | Gas Valve Assembly |
| 28* | 140797 | 2 | #26 Natural Gas Orifice |
| | 140799 | 2 | #42 Liquid Propane Gas Orifice |
| | 887260 | 1 | Liquid Propane Conversion Kit |

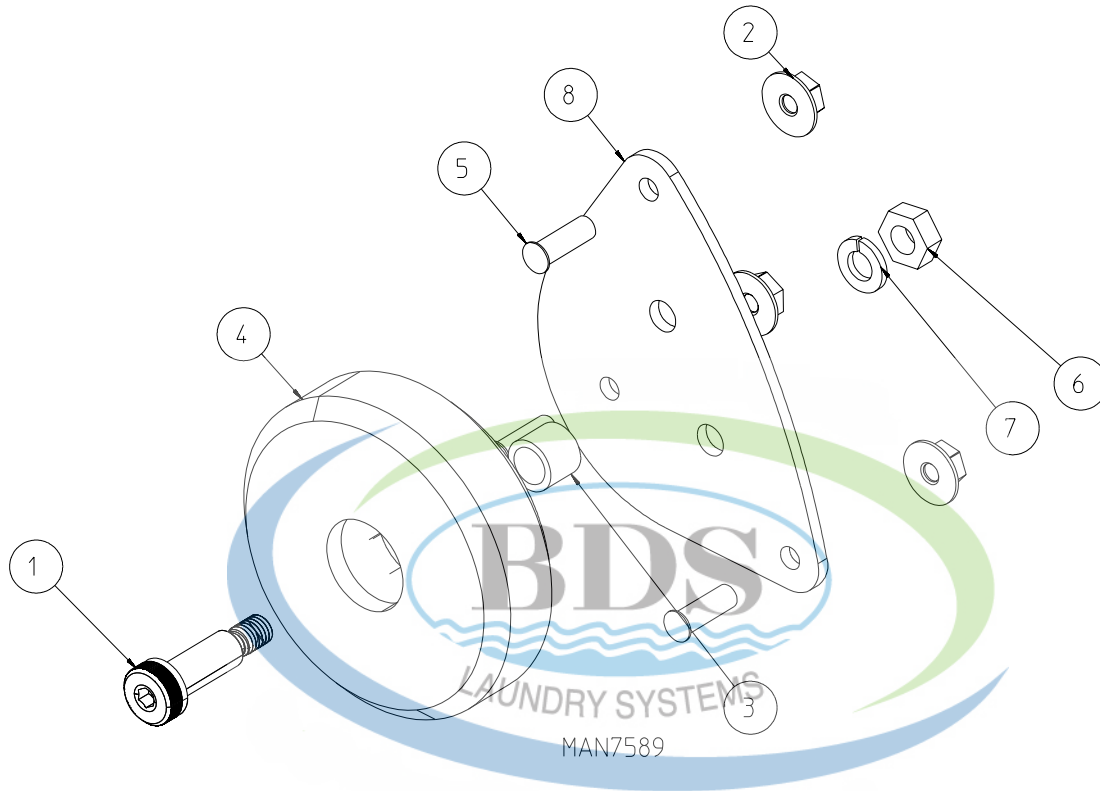
* Consult factory for elevation over 2,000 feet for correct burner orifice size.



| <u>Illus. No.</u> | <u>Part No.</u> | <u>Qty.</u> | <u>Description</u> |
|-------------------|-----------------|-------------|---------------------------------------|
| 1 | 350301 | 1 | Motor Mount Base Plate |
| 2 | 819594 | 1 | Drive Motor Assembly Complete (60 Hz) |
| | 887221 | 1 | Drive Motor with Sheave (60 Hz) |
| 3 | 150609 | 1 | 1/2-13 x 4-1/2" Tap Bolt |
| 4 | 152004 | 2 | 5/16-18 Hex Nut |
| 5 | 154266 | 2 | 3/8" x 3/8" Shoulder Screw |
| 6 | 150501 | 4 | 5/16-18 x 3/4" Tap Bolt Hex Head |
| 7 | 152014 | 5 | 1/4-20 Free Spin Wash Nut |
| 8 | 153001 | 4 | 5/16" Flat Washer |
| 9 | 153002 | 6 | 5/16" Split Lock Washer |
| 10 | 153033 | 2 | 1/2" x 1-3/8" Flat Washer |
| 11 | 154321 | 1 | 5/16-24 x 3/8" Alan Setscrew |
| 12 | 152011 | 3 | 1/2-13 Hex Nut |
| 13 | 153018 | 2 | 1/4" Flat Washer |
| 14 | 323373 | 1 | 60 Hz Motor Sheave |
| 15 | 851543 | 1 | Motor Platform Assembly |



| <u>Illus. No.</u> | <u>Part No.</u> | <u>Qty.</u> | <u>Description</u> |
|-------------------|-----------------|-------------|--|
| 1 | 143581 | 1 | S.A.F.E. 3 GPM 3/8" N.P.T. Spray Nozzle |
| 2 | 143303 | 1 | 3/8" N.P.T. Brass Lock Nut |
| 3 | 136987 | 1 | Water Jet Pressure Switch |
| 4 | 143155 | 1 | 3/8" Brass Street Elbow |
| 5 | 143025 | 1 | 3/4-11 NH x 3/8" N.P.T. Nylon Hose Adapter |
| 6 | 143310 | 1 | 3/8" Brass 90° Elbow |
| 7 | 143251 | 1 | 3/8" M.P.T. Brass Plug |
| 8 | 143241 | 1 | 3/8" x Close Brass Nipple |
| 9 | 143220 | 1 | 3/8" F.P.T. Brass Tee |
| 10 | 319231 | 1 | S.A.F.E. Valve Bracket |
| 11 | 154338 | 2 | M4 x 6mm Phillips Head Slotted Machine Screw |
| 12 | 143242 | 1 | 3/8" x 2-1/2" Brass Nipple |
| 13 | 318422 | 1 | S.A.F.E. Bracket |
| 14 | 150331 | 4 | #8-18 x 1/2" Pan Head TORX® Screw |
| 15 | 143182 | 1 | 3/4" GHT x 1/8" x 3/8" N.P.T. Brass Tee |
| 16 | 143183 | 1 | 7/16-20 x 3/8" N.P.T. Brass Adapter 2 |
| 17 | 165120 | 1 | S.A.F.E. Water Inlet Valve 24VDC |
| 18 | 143323 | 1 | 3/8" x 3" Brass Nipple |
| — | 114110 | 1 | S.A.F.E. Water Supply Warning Tag |



| <u>Illus. No.</u> | <u>Part No.</u> | <u>Qty.</u> | <u>Description</u> |
|-------------------|-----------------|-------------|---|
| 1 | 154264 | 1 | 10 M8 x 25mm Shoulder Bolt |
| 2 | 152014 | 3 | 1/4-20 Free Spin Wash Nut |
| 3 | 154284 | 1 | Tumbler Wheel Spacer |
| 4 | 180060 | 1 | 3-1/2" Tumbler Support Wheel |
| 5 | 153557 | 3 | 1/4-20 x 3/4" Self-Clinching Stud |
| 6 | 154013 | 1 | M8 Hex Nut |
| 7 | 153002 | 1 | 5/16" Lock Washer |
| 8 | 350196 | 1 | 1/2" Wheel Bracket |
| | 851529 | 2 | Front Wheel Assembly Complete |
| | 851530 | 2 | Rear Wheel Assembly Complete ... Not Illustrated |
| - | 350198 | 4 | Rear Wheel Bracket Shim ... Not Illustrated (rear Only) |

Duplicate all parts for rear wheels.



