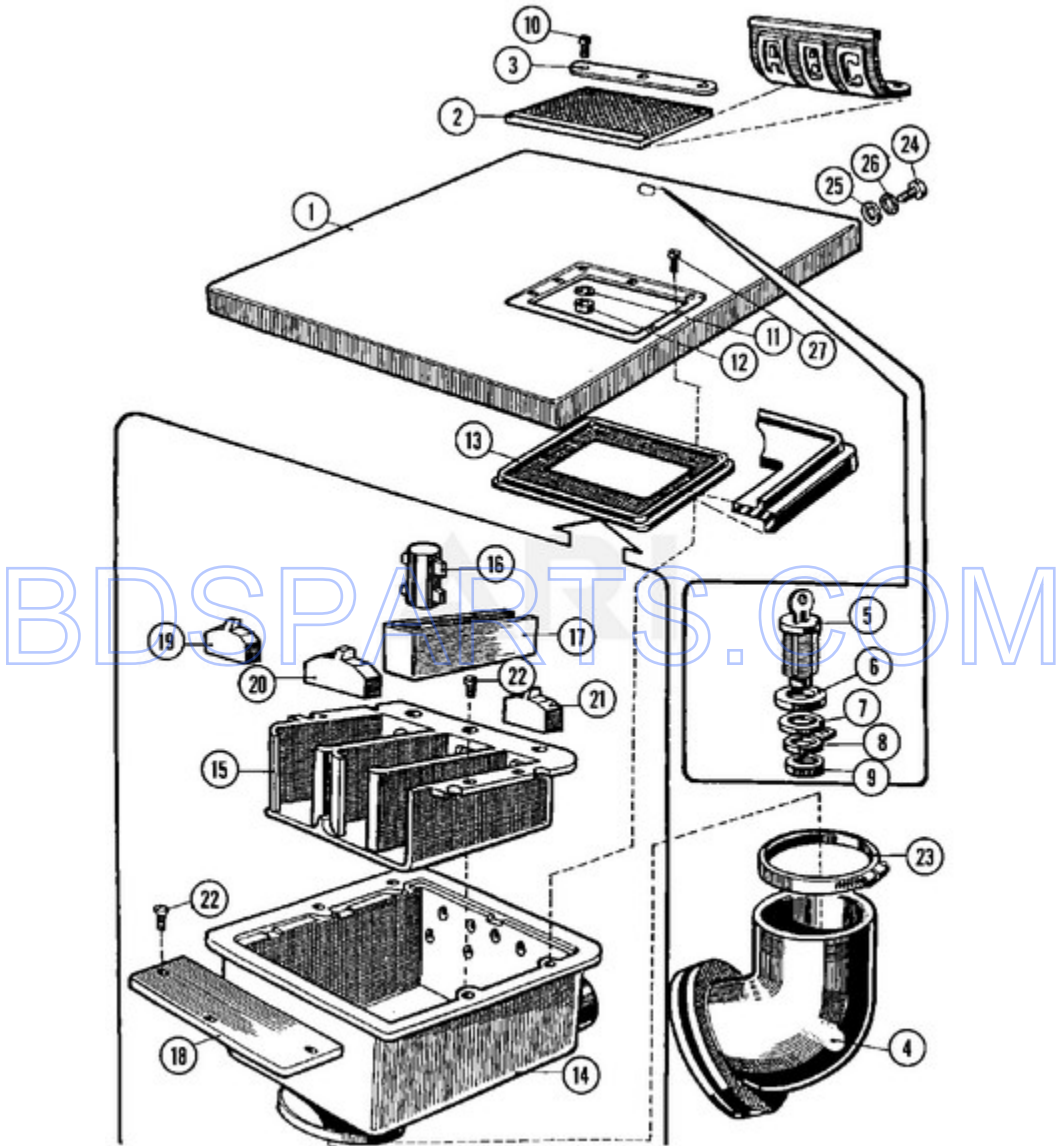
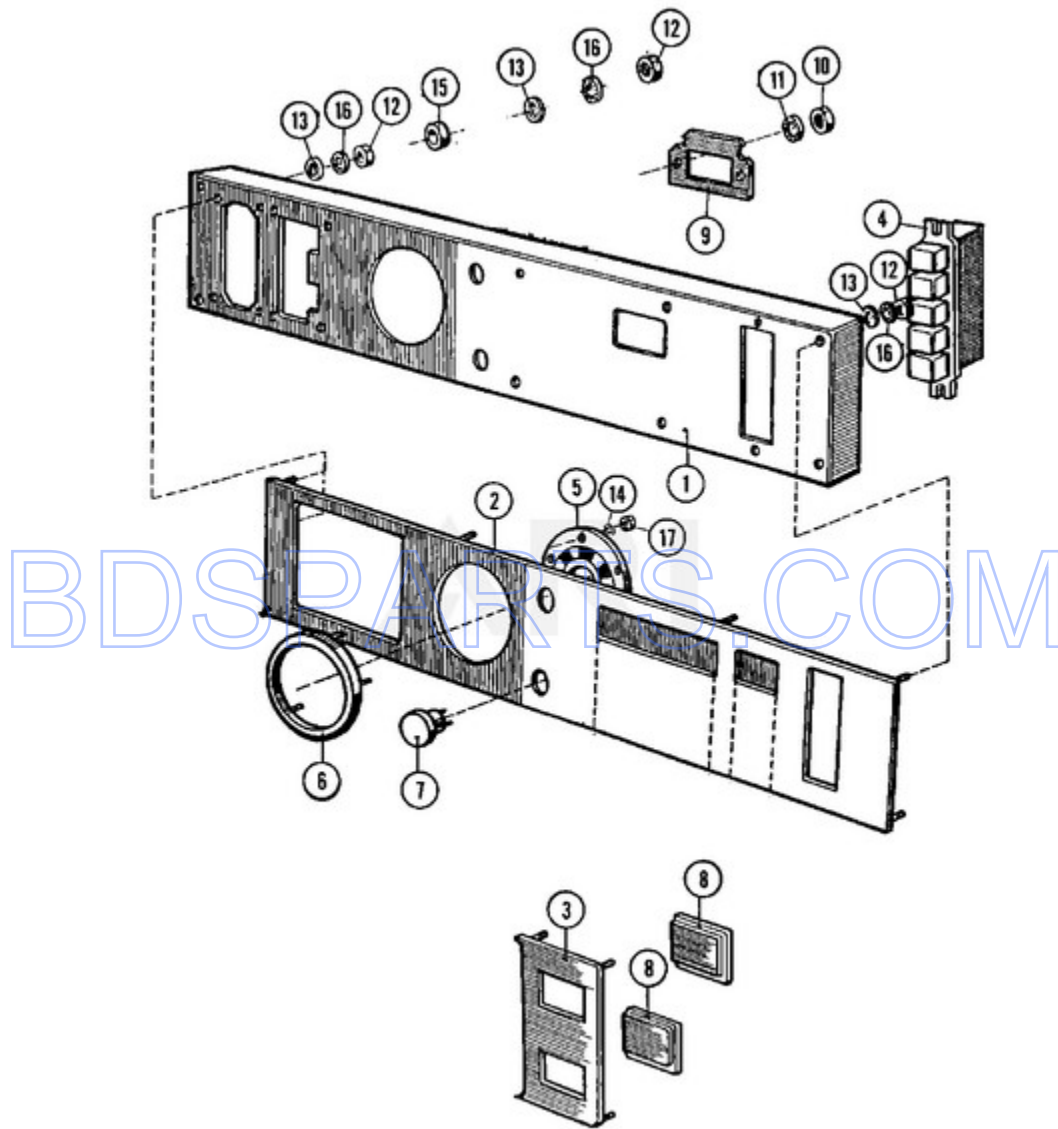


MFR18MCAVS - 01 - SOAP BOX & TOP COVER ASSY (SERIES 10)



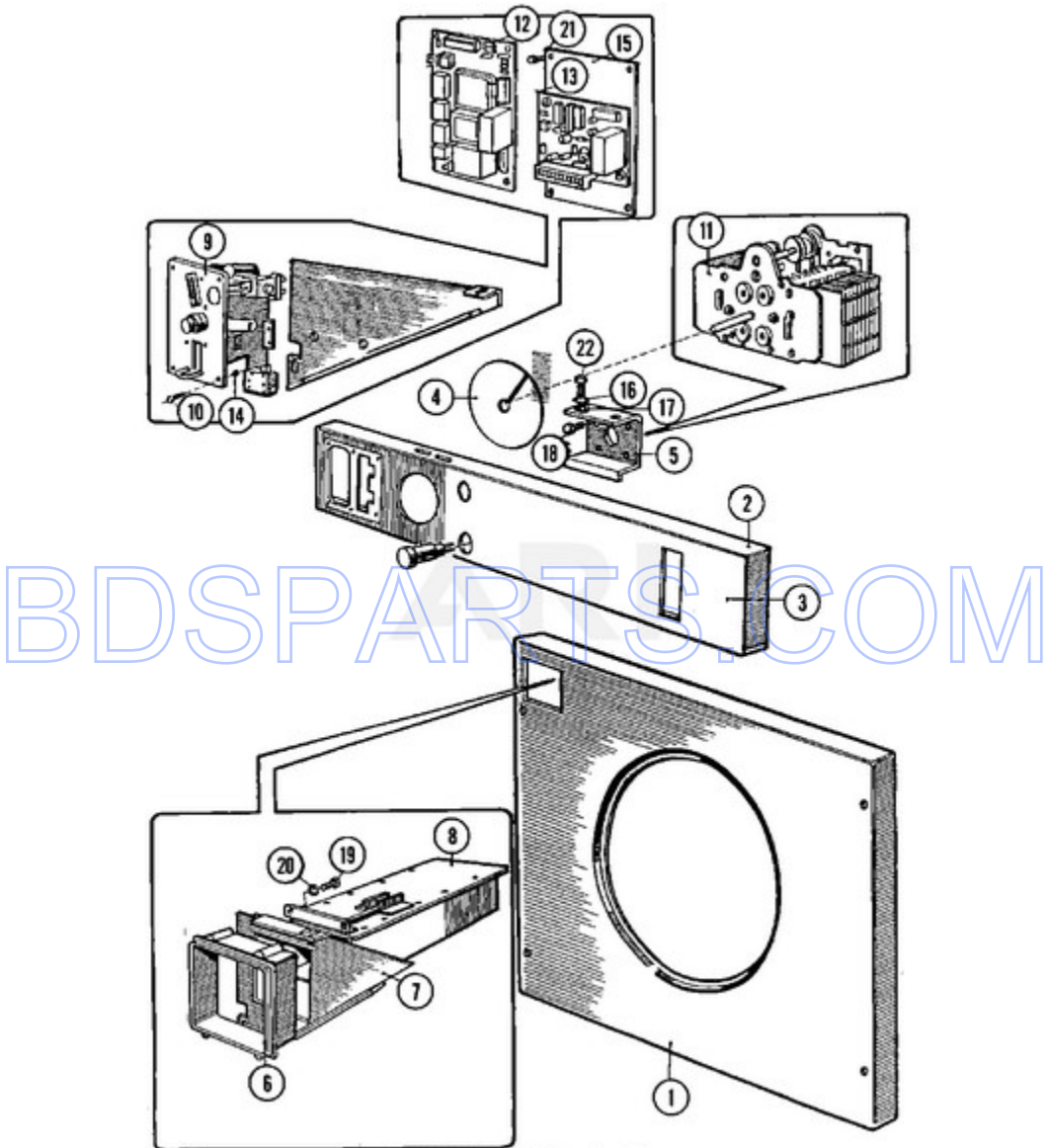
Ref #	Part #	Description	Qty	Context	Note	MSRP
1	NLA	COVER, TOP (STNLS)	1	Series	10	
2	23001003	RUBBER COVER, SOAP BOX	1	Series	10	
3	23001004	CLAMP, SOAP BOX COVER	1	Series	10	
4	23001005	RUBBER HOSE, SOAP BOX	1	Series	10	
5	23001006	LOCK, TOP PANEL	1	Series	10	
5	23002673	KEY-TOP PANEL (25001)	1			
6	23001007	WASHER, FIBER	2	Series	10	
7	23001008	NUT, LOCK (LARGE)	1	Series	10	
8	23001009	HOOK, LOCK (SHORT)	1	Series	10	
9	23001011	NUT	1	Series	10	
10	23001012	SCREW (M4 X 12 STNLS STEEL)	1	Series	10	
11	23001636	SPRING, LOCKWASHER (M4)	1	Series	10	
12	23001014	NUT M4	1	Series	10	
13	23001015	RUBBER SEAL, SOAP BOX	1	Series	10	
14	23001016	HOUSING, SOAP BOX	1	Series	10	
15	23001017	INSERT, SOAP BOX	1	Series	10	
16	23001018	SIPHON	1	Series	10	
17	23001019	TRAY	1	Series	10	
18	23001020	COVER, PLATE	1	Series	10	
19	23001021	DRAWER, PREWASH	1	Series	10	
19	23002318	SCREW, PAN HEAD (SLOTTED)	1	Series	10	
20	23001022	DRAWER, MAIN WASH	1	Series	10	
21	23001023	DRAWER, LAST RINSE	1	Series	10	
22	23001024	SCREW (DIA. 3.5 X 9.5 STNLS)	1	Series	10	
23	23001025	CLAMP, HOSE (DIA 90/110)	1	Series	10	
24	23001026	BOLT (M6 X 16)	1	Series	10	
25	23001027	WASHER (DIA. 12 X 6.5 X 1.6)	1	Series	10	
26	23001028	LOCKWASHER (EXTERNAL TEETH M6)	1	Series	10	
27	23001029	SCREW (M5 X 15PK STNLS STEEL)	1	Series	10	
28	23001550	LABEL, EARTH	1	Series	10	

MFR18MCAVS - 02 - CONTROL PANEL (MC) (SERIES 10)



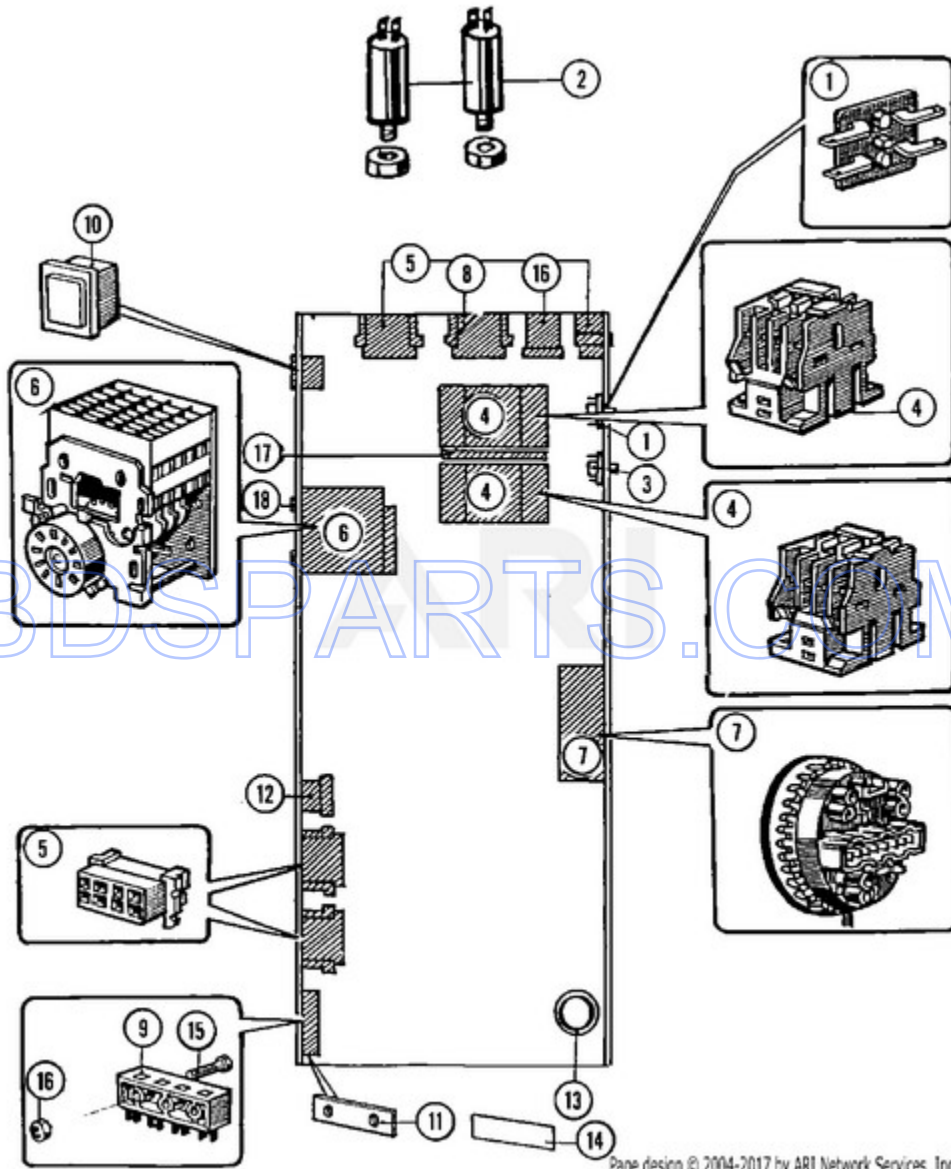
Ref #	Part #	Description	Qty	Context	Note	MSRP
1	NLA	PLATE, BACK-UP (COIN METER)	1	Series	10	
2	NLA	PANEL, CONTROL	1	Series	10	
3	23001041	INSERT PLATE, COIN COUNTER	1	Series	10	
3	23003719	STEPPER BOARD / COIN COUNTER	1	Series	10	
4	23001042	SELECTOR SWITCH, PROGRAM	1	Series	10	
5	23001043	DISC, INDICATOR (ENGLISH)	1	Series	10	
6	23001044	ORNAMENTAL RING, INDIC. DISC	1	Series	10	
7	23001046	LAMP, INDICATOR	1	Series	10	
8	23001049	LENS, TRANSPARENT RED	1	Series	10	
8	NLA	LENS, ALUMINIUM	1	Series	10	
9	NLA	PLATE, MOUNTING	1	Series	10	
10	23001053	NUT (M3)	1	Series	10	
11	23001054	WASHER, LOCKING	1	Series	10	
12	23001055	NUT (M4)	1	Series	10	
13	23001056	WASHER (4.3)	1	Series	10	
14	23001057	SPEEDNUT (M3)	1	Series	10	
15	23001058	TUBE, DISTANCE	1	Series	10	
16	23001013	WASHER, LOCK (M4)	1	Series	10	
17	23002325	WASHER	1	Series	10	
18	23001038	CONVERSION KIT (MC TO MN)	1	Series	10	
18	23002334	MC TO MN CONVERS.(CSA)	1	Series	11	

MFR18MCAVS - 03 - TIMER & COIN ASSEMBLY (SERIES 10)



Ref #	Part #	Description	Qty	Context	Note	MSRP
1	NLA	FRONT PANEL, 24X25 15/16	1	Series	10	
2	NLA	PLATE, BACK-UP (COIN METER)	1	Series	10	
3	NLA	PANEL, CONTROL	1	Series	10	
4	23001060	INDICATOR DISC, TIMER	1	Series	10	
5	23001061	TIMER, SUPPORT	1	Series	10	
6	23001062	COLLAR, COIN VAULT	1	Series	10	
7	NLA	VAULT, SUPPORT COIN	1	Series	10	
8	23001349	VAULT, COIN	1	Series	10	
9	23001063	METER, COIN (25 CENTS-240V)	1	Series	10	
9	23001350	METER, COIN (25 CENTS-115V)	-	Series	10	
9	23003444	COIL (120V)	1	Series	10	
9	23003445	COIL (220V)	1	Series	10	
10	23001064	SCREW, ORNAMENTAL (M3 X 10)	1	Series	10	
11	23001065	TIMER (PR 6023 230V)	1	Series	10	
11	23001351	TIMER (PR 6023-115V)	-	Series	10	
12	23001066	COUNTER, COIN (W/LED DISPLAY)	1	Series	10	
12	23001693	MEMORY	1	Series	10	
12	23003719	STEPPER BOARD / COIN COUNTER	-	Series	10	
13	23001068	RELAY, START	1	Series	10	
14	23001053	NUT (M3)	1	Series	10	
15	NLA	MOUNTING PLATE, START RELAY	1	Series	10	
16	23001028	LOCKWASHER (EXTERNAL TEETH M6)	1	Series	10	
17	23001027	WASHER (DIA. 12 X 6.5 X 1.6)	1	Series	10	
18	23001069	BOLT (M4X4)	1	Series	10	
19	23001070	SCREW (M4X10)	1	Series	10	
20	23001013	LOCKWASHER (EXTERNAL TEETH M4)	1	Series	10	
21	23001052	SCREW (M3 X 6 CROSS RECESSED)	1	Series	10	
22	23001026	BOLT (M6 X 16)	1	Series	10	
23	23001038	CONVERSION KIT (MC TO MN)	1	Series	10	
23	23002195	PC-PN CONVERSION KIT	-	Series	10	
23	23002333	PC TO PN CONVERSION (CSA)	-	Series	10	
23	23002334	MC TO MN CONVERS.(CSA)	1	Series	10	

MFR18MCAVS - 04 - MAIN CONTROL (MC) (SERIES 10)

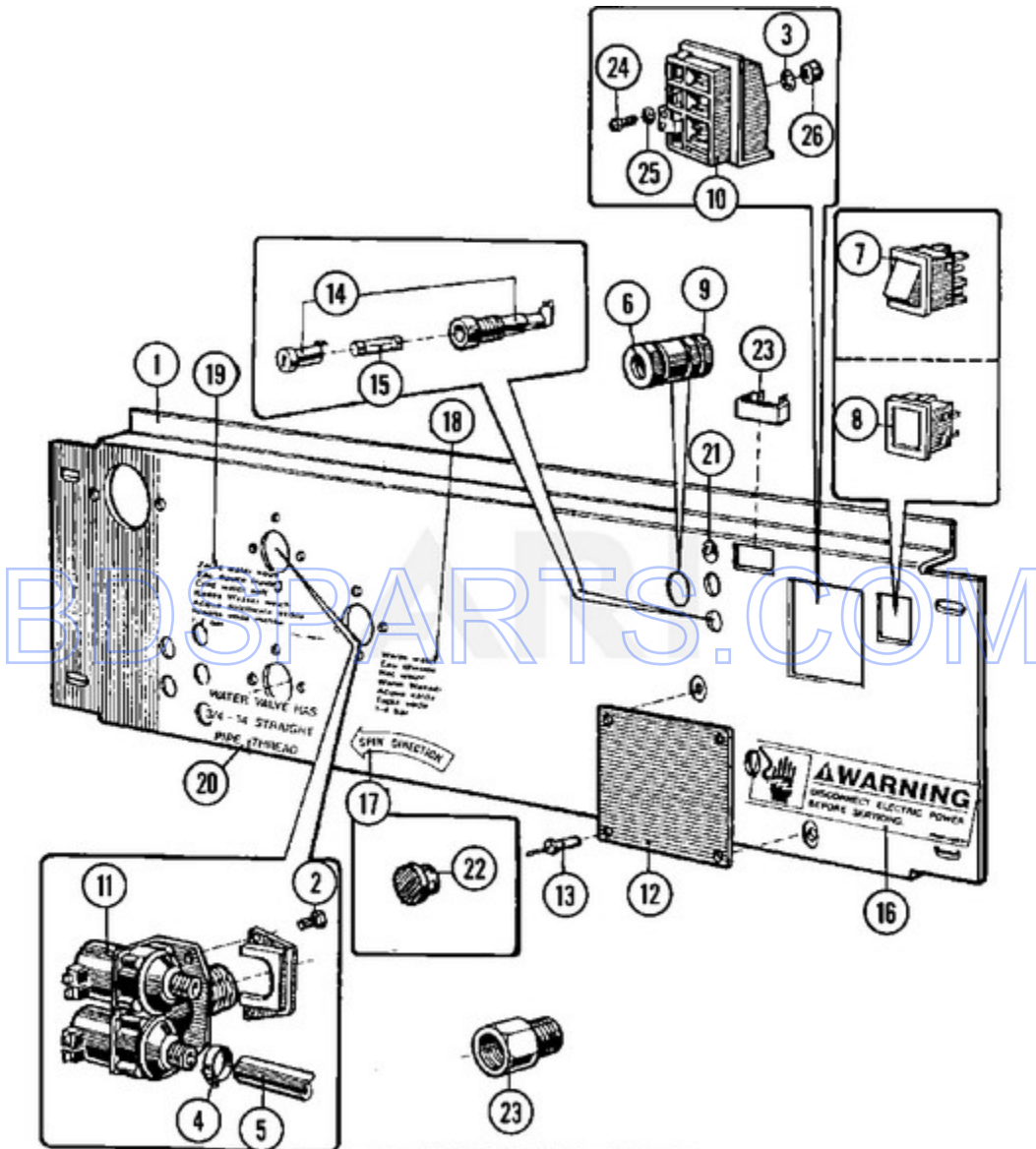




Ref #	Part #	Description	Qty	Context	Note	MSRP
1	23001094	BRIDGE, RECTIFIER	1	Series	10	
2	23001097	CAPACITOR (100MF)	-	Series	10	
3	23001099	SOCKET, PC BOARD SOCKET	1	Series	10	
4	23001100	CONTACTOR (LC1-D0901 M7)	1	Series	10	
4	23001535	CONTACTOR (LC1-D0901F6)	-	Series	10	
5	23001109	HOUSING, CONNECTOR (8 POLE)	1	Series	10	
6	23001110	TIMER, REVERSING (230V)	1	Series	10	
6	23001512	TIMER, REVERSING (120V)	-	Series	10	
7	23001360	SWITCH, WATER LEVEL	1	Series	10	
7	23001513	SWITCH, WATER LEVEL	-	Series	10	
8	23001112	HOUSING, CONNECTOR (6 POLE)	1	Series	10	
9	23001113	HOUSING, CONNECTOR (4 POLE)	1	Series	10	
10	23001114	SWITCH, ROCKER (PREWASH)	1	Series	10	
11	23001115	PAPER, INSULATION	1	Series	10	
12	23001116	HOUSING, CONNECTOR (4 POLE)	1	Series	10	
13	23001117	RING, RUBBER (DIA. 25)	1	Series	10	
14	23001118	STICKER, LIQUID SOAP	1	Series	10	
15	23001361	BOLT M4X10	1	Series	10	
16	23001055	NUT (M4)	1	Series	10	
17	23001119	MECH. INTERLOCK, CONTACTOR	-	Series	10	
18	23001069	SCREW (M4 X 4)	1	Series	10	
19	23001465	STICKER, ELECTRICITY WARNING	1	Series	10	
20		CONNECTOR, 9-POLE	1	Series	10	
21	NLA	SCREW (M6 X 25)	1	Series	10	
22	23001515	NUT (M6)	1	Series	10	
23	NLA	WASHER (M6)	1	Series	10	
24	NLA	STICKER	1	Series	10	
25	23001518	SERIES 15 THIS PART IS NO				
25	NLA	FILTER, NET	1	Series	10	
26	23001519	CALO, TRAFO	1	Series	10	
27	NLA	LABEL, EARTH	1	Series	10	

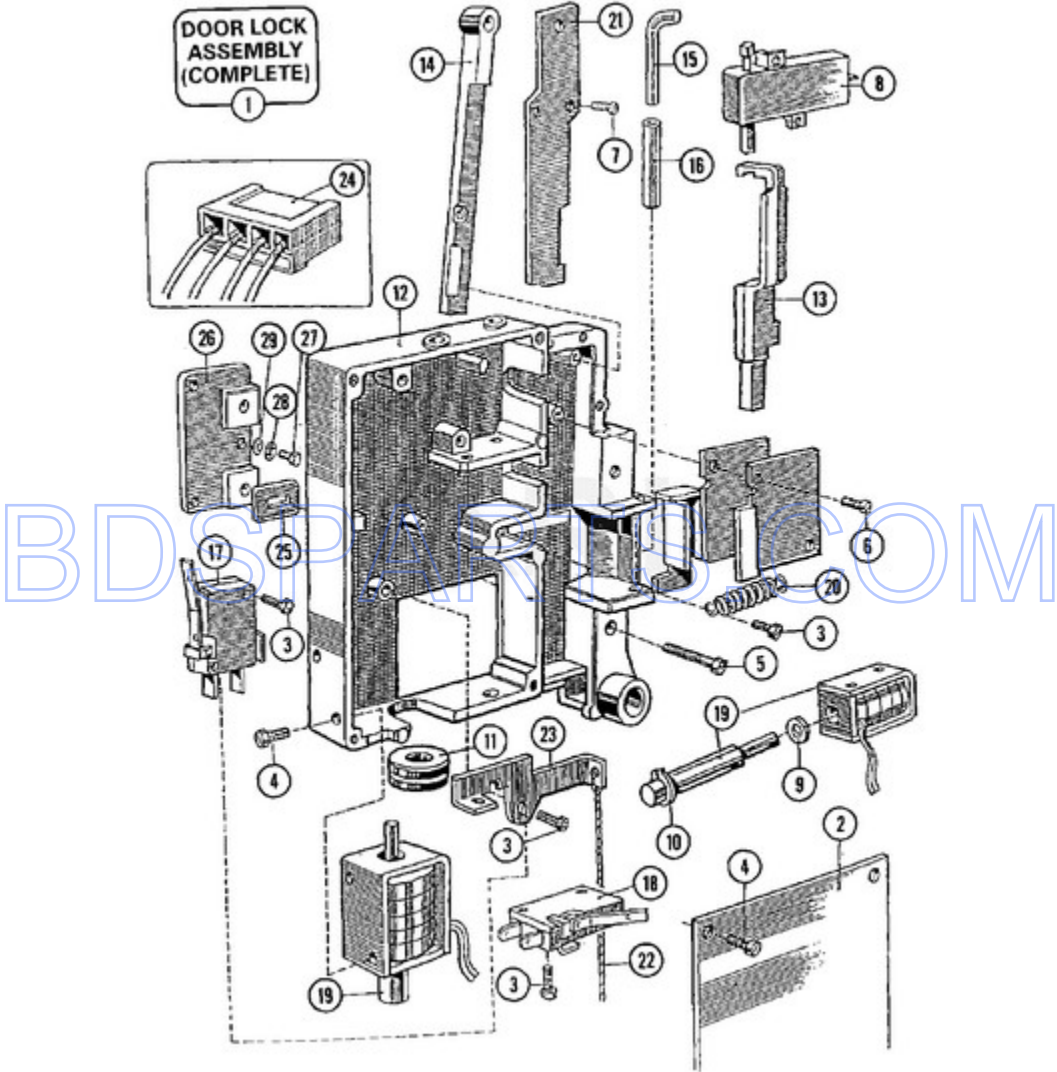


MFR18MCAVS - 05 - WATER VALVE & REAR PANEL (SERIES 10)



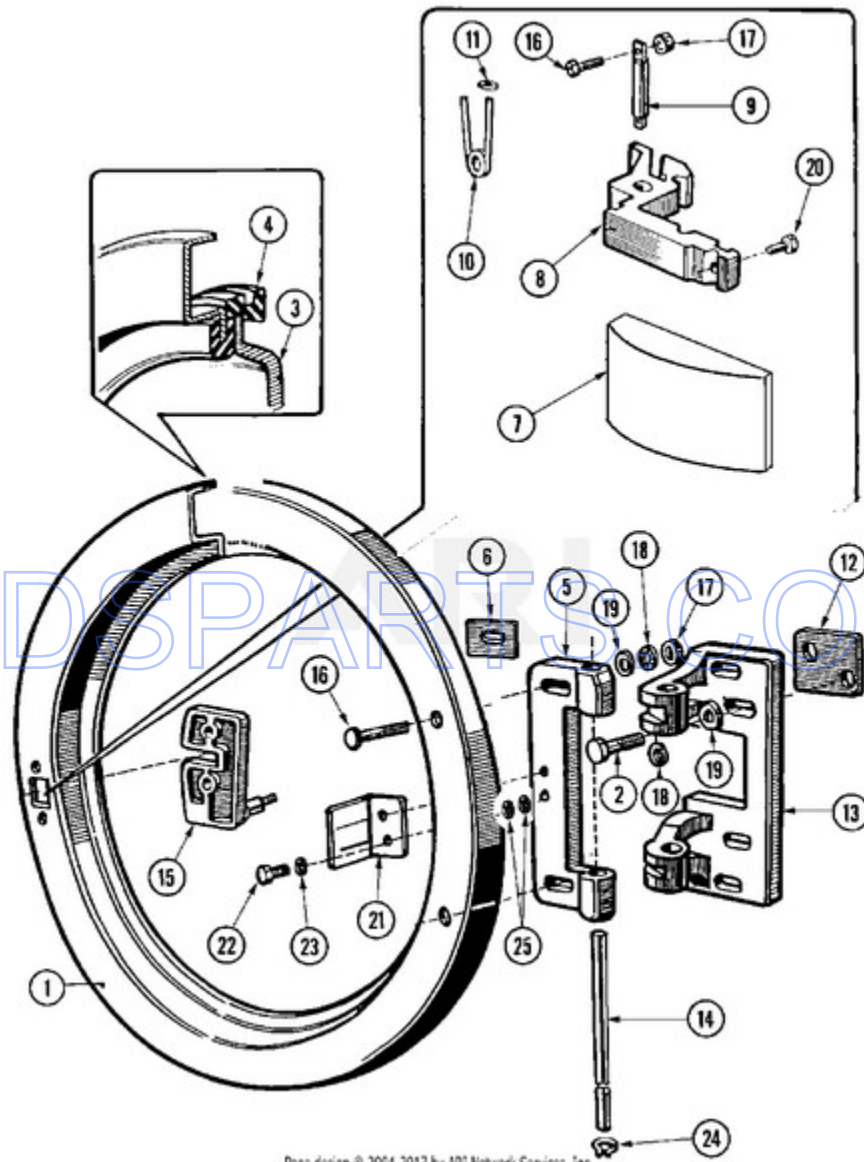
Ref #	Part #	Description	Qty	Context	Note	MSRP
1	NLA	PANEL, VALVE	1	Series	10	
2	23001361	BOLT M4X10	1	Series	10	
3	23001013	LOCKWASHER (EXTERNAL TEETH M4)	1	Series	10	
4	23001506	CLAMP, HOSE	12	Series	10	
5	23001507	WATERHOSE (GREEN)	1	Series	10	
6	23001450	SWIVEL (PG9)	1	Series	10	
7	23001529	BUTTON (RAPID ADVANCE)	1	Series	10	
8	23001452	PLUG (WHT)	-	Series	10	
9	23001453	NUT, SWIVEL (PG9)	1	Series	10	
10	23001454	BLOCK, TERMINAL CONNECTION	1	Series	10	
11	23001455	VALVE, TWO WAY (220V 50/60HZ)	-	Series	10	
11	23001456	VALVE, TWO WAY (115V 60HZ)	1	Series	10	
12	23001460	PLATE, IDENTIFICATION	1	Series	10	
13	23001461	RIVETS, BLIND	1	Series	10	
14	23001462	HOLDER, FUSE	2	Series	10	
15	23001463	FUSE (2A)	1	Series	10	
15	23001508	FUSE (1A)	-	Series	10	
16	23001465	STICKER, ELECTRICITY WARNING	1	Series	10	
17	23001468	STICKER, SPIN DIRECTION	1	Series	10	
18	23001469	STICKER, HOT WATER	1	Series	10	
19	23001471	STICKER, COLD SOFT WATER	1	Series	10	
20	23001509	STICKER, PIPE THREAD	1	Series	10	
21	NLA	STICKER (1A)	-	Series	10	
22	NLA	PLUG, LIQUID SOAP OPENING	1	Series	10	
23	23001339	NUT, CAGE	1	Series	10	
24	NLA	SCREW (M 4 X 16 BRASS)	1	Series	10	
25	NLA	WASHER (DIA. 9 X 4.3 X 0.8)	1	Series	10	
26	23001481	NUT (M4 BRASS)	1	Series	10	
27	23001482	NIPPLE (3/4`` PIPE THREAD)	1	Series	10	
28	23001483	WASHER (DIA. 40 X 6.5 X 3)	1	Series	10	
29	23001484	EXTENSION, BRASS PIPE THREAD	1	Series	10	
30	23001485	TEE, 3/4`` PIPE THREAD (BRASS)	1	Series	10	
31	NLA	VALVES, PLATE	1	Series	10	
32	23001522	SCREW (M6 X 12)	1	Series	10	
33	23001523	HOSE, CONNECTION	1	Series	10	

MFR18MCAVS - 06 - DOOR LOCK ASSEMBLY (SERIES 10)



Ref #	Part #	Description	Qty	Context	Note	MSRP
1	Y23002897	LOCK, DOOR (COMPLETE)	1	Series	10	
2	23001130	PLATE, COVER (STNLS STEEL)	1	Series	10	
3	23001131	SCREW (M3 X 14 CROSS RECESSED)	1	Series	10	
4	23001132	SCREW (M3 X 4 CROSS RECESSED)	1	Series	10	
5	23001133	SCREW (M5 X 25 STNLS STEEL)	1	Series	10	
6	23001070	SCREW (M4X10)	1	Series	10	
7	23001134	BOLT (M3 X 6)	1	Series	10	
8	23001135	BIMETAL, ACTUATOR (230V)	1	Series	10	
8	23002207	BIMETAL, ACTUATOR (120V)	1	Series	10	
9	23001136	WASHER (DIA. 5.1 X 3.3 X 0.1)	1	Series	10	
10	23001137	RING, RETAINING (G10)	1	Series	10	
11	23001138	BUSHING, CABLE PASSAGE	1	Series	10	
12	23001139	HOUSING, DOOR LOCK	1	Series	10	
13	23001140	BAR, LOCKING	1	Series	10	
14	23001141	BAR, HANDLE LATCH	1	Series	10	
15	23001142	RETAINER, LOCK TUBE (DIA.4X45)	1	Series	10	
16	23001143	LOCK TUBE (DIA. 4X23.5 STNLS)	1	Series	10	
17	23001144	MICROSWITCH, SHORT LEVER	1	Series	10	
18	23001145	MICROSWITCH, LONG LEVER	1	Series	10	
19	23001146	COIL (240V)	1	Series	10	
19	23001147	COIL (120V)	1	Series	10	
20	23001148	COIL SPRING, HANDLE LATCH BAR	1	Series	10	
21	23001149	LEAF SPRING, LATCH BAR	1	Series	10	
22	23001152	CORD, EMERGENCY OPENING	1	Series	10	
23	23001153	LEVER, EMERGENCY OPENING	1	Series	10	
24	23001154	WIRING HARNESS, DOORLOCK (OPL)	1	Series	10	
25	23001155	SHIM	1	Series	10	
26	23001156	SPACER, LOCK	1	Series	10	
27	23001157	BOLT (M6 X 12 STNLS STEEL)	1	Series	10	
28	23001158	LOCKWASHER (M6 EXTERNAL TEETH)	1	Series	10	
29	23001159	WASHER (DIA. 14X8.6X1 STNLS)LU	1	Series	10	

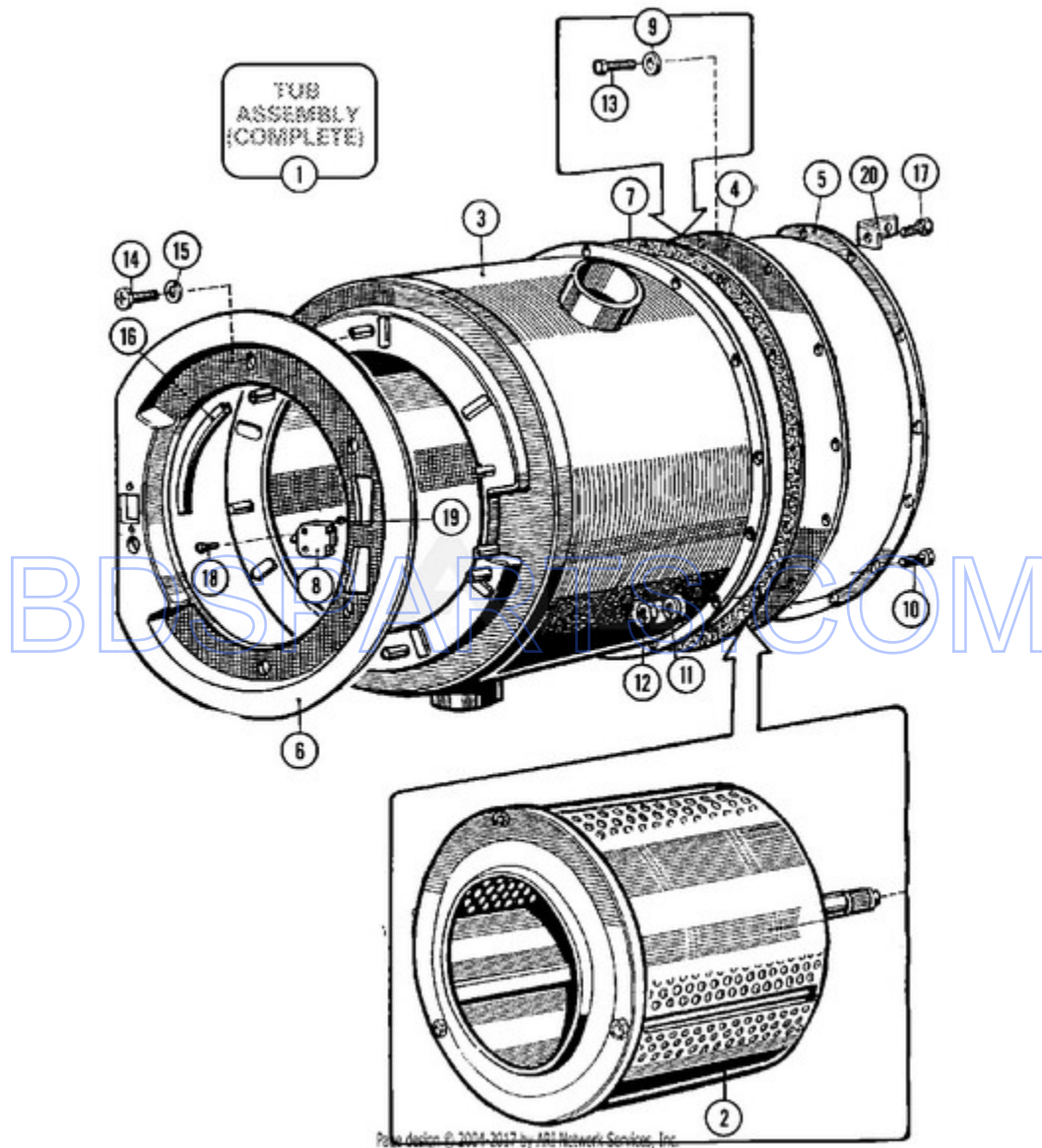
MFR18MCAVS - 07 - DOOR



Ref #	Part #	Description	Qty	Context	Note	MSRP
1	23001363	RING, DOOR	1	Series	10	
2	23001374	BOLT (M6 X 20)	1	Series	10	
3	23001364	GLASS, DOOR	1	Series	10	
4	23001365	RUBBER, DOOR GLASS	1	Series	10	
5	23001366	PLATE, HINGE	1	Series	10	
6	23001166	SHIM, HINGE PLATE	1	Series	10	
7	12001889	KIT, DOOR HANDLE ASSEMBLY HANDLE FRONT & BACK INCLUDED	1	Series	14	
7	23001524	HANDLE, DOOR (BLK)	1	Series	10	
7	23001614	DOORLOCK, HANDLEGRIP	1	Series	11	
7	23003633	LEVER, DOOR	1	Series	14	
8	23001367	LEVER, HANDLE	1	Series	10	
8	23001613	HANDLE, DOOR LEVER	1	Series	11	
8	23003633	LEVER, DOOR	1	Series	14	
9	23001168	HANDLE, LEVER SHAFT	1	Series	10	
10	23001169	SPRING, HANDLE LEVER	1	Series	10	
11	23001057	SPEEDNUT (M3)	1	Series	14	
11	23002499	WASHER	1	Series	10	
12	23001368	SHIM, HINGE BASE	1	Series	10	
13	23001171	BASE, HINGE	1	Series	10	
14	23001172	SHAFT, DOOR HINGE	1	Series	10	
15	23001370	HANDLE, LEVER PLATE	1	Series	10	
16	23001175	SCREW (M6X20 STAINLESS STEEL)LU	4	Series	10	
16	23001371	SCREW (M6 X 20 STNLS STEEL)	4	Series	11	
17	23001176	NUT (M6 STNLS STEEL)	4	Series	10	
17	23002280	NUT M6	4	Series	11	
18	23001158	SPRING, LOCKWASHER	1	Series	10	
19	23001159	WASHER (DIA. 14X8.6X1 STNLS)LU	1	Series	10	
19	23001643	WASHER (M6)	6	Series	11	
20	23001177	SCREW (M4 X 10)	1	Series	14	
20	23001372	SCREW (M4 X 8 STNLS STEEL)	1	Series	10	
20	23002617	SCREW (M4X8)	1	Series	11	
21	23001373	MICROSWITCH, ACTIVATING PLATE	1	Series	10	
22	23001361	BOLT M4X10	1	Series	10	
22	23001781	BOLT (M4X10)	2	Series	11	
23	23001013	LOCKWASHER (EXTERNAL TEETH M4)	1	Series	10	
23	23002111	WASHER (4)	2	Series	11	
24	23001181	RING, RETAINING (DIA. 8)	1	Series	10	
25	23001180	WASHER (DIA. 10X5.3X1)	4	Series	11	



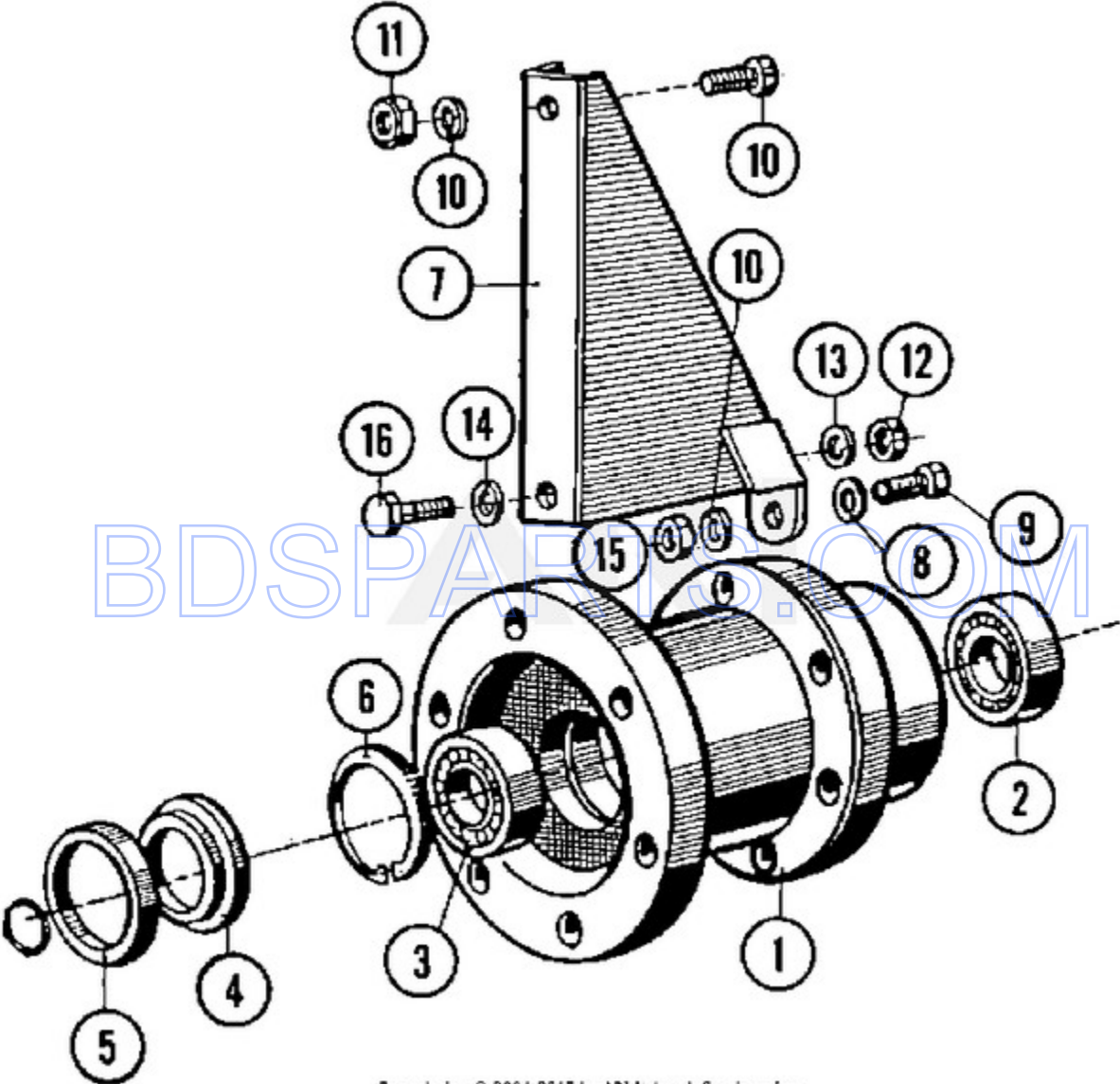
MFR18MCAVS - 08 - BASKET & OUTER SHELL ASSY. (SERIES 10)





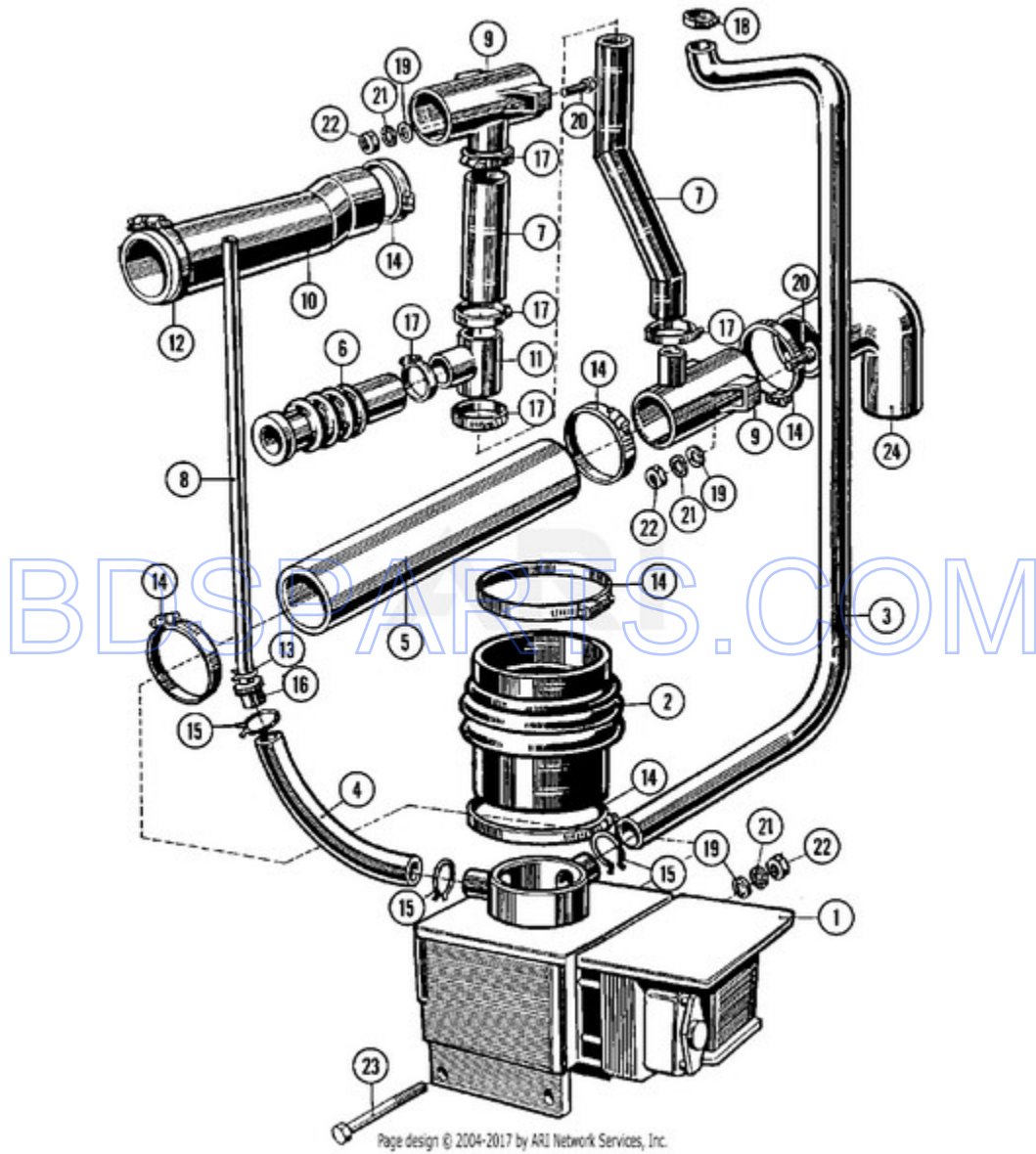
Ref #	Part #	Description	Qty	Context Note	MSRP
1	NLA	TUB (COMPLETE)	1	Series 10	
2	23001377	DRUM & SHAFT	1	Series 10	
3	23001379	SHELL (OUTER)	1	Series 10	
4	23001381	PLATE, BACK (STNLS STEEL)	1	Series 10	
5	NLA	RING, CLAMP (12 HOLES)	1	Series 10	
6	NLA	SHIELD	1	Series 10	
7	23001386	GASKET, SHELL (REAR)	1	Series 10	
8	23001200	HINGE, MIRCO SWITCH	1	Series 10	
9	23001201	WASHER (DIA. 22X11X1 BRASS)	6	Series 10	
10	23001388	BOLT (M8 X 40)	1	Series 10	
11	23001265	WASHER (8)	1	Series 10	
12	23001306	LOCKING NUT, SELF	1	Series 10	
13	23001389	BOLT (M10 X 25 STNLS STEEL)	1	Series 10	
14	23001177	SCREW (M4 X 8 STNLS STEEL)	1	Series 10	
15	23001204	WASHER, FINISHING (DIA. 5)	8	Series 10	
16	23001088	TRIM, RUBBER	1	Series 10	
17	23001304	BOLT (M8 X 35)	1	Series 10	
18	23001089	SCREW (M4 X 16 CK)	1	Series 10	
19	23001055	NUT (M4)	1	Series 10	
20	23001206	BRACKET, MOTOR HARNESS	3	Series 10	

MFR18MCAVS - 09 - BEARINGS & TRUNNION ASSY. (SERIES 10)



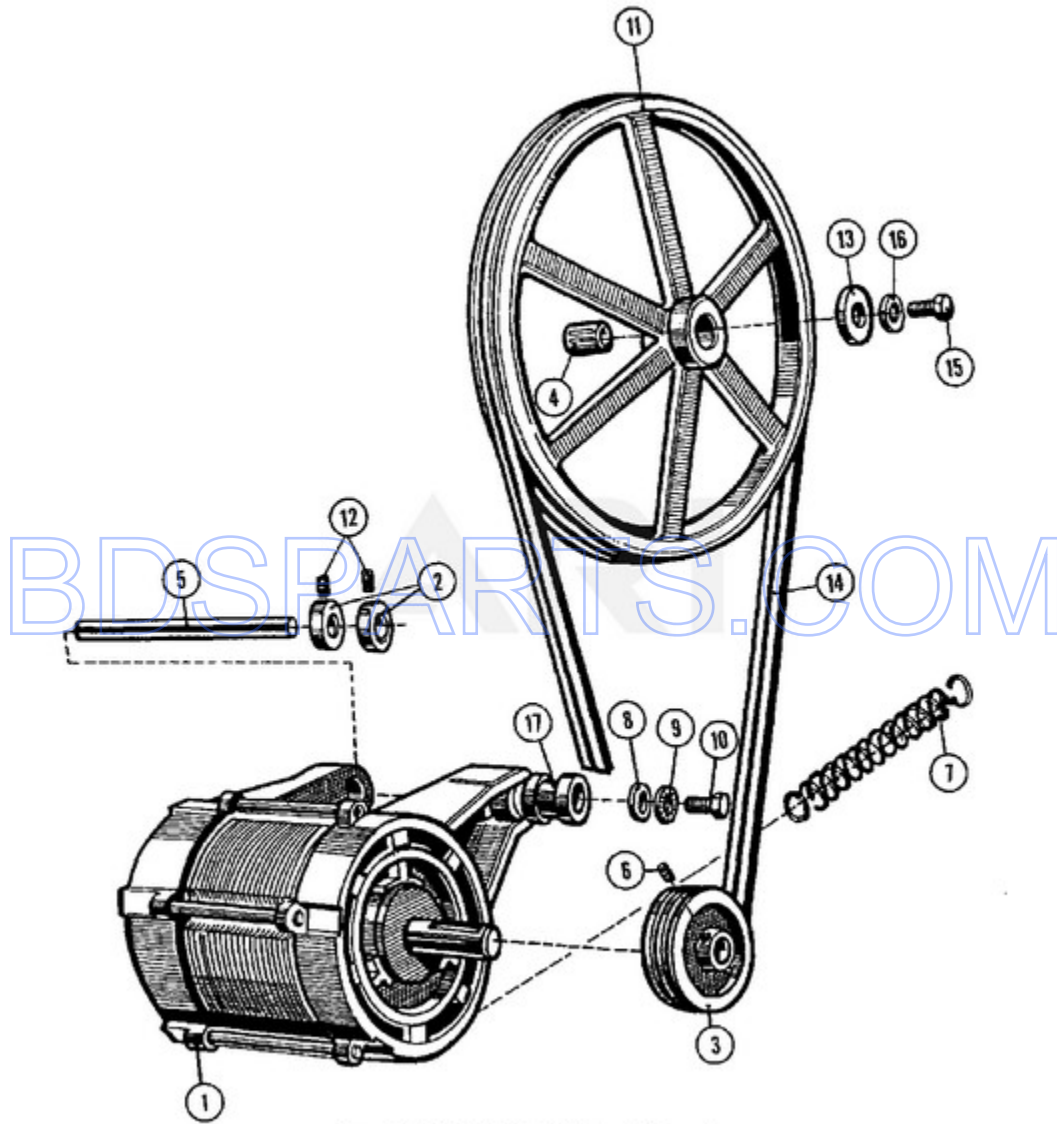
Ref #	Part #	Description	Qty	Context Note	MSRP
1	23001390	TRUNNION (CASTING ONLY)	1	Series 10	
2	23001391	BEARING (REAR)	1	Series 10	
3	23001232	BEARING (REAR)	1	Series 10	
4	23001393	SEAL, WATER	1	Series 10	
5	23001395	RING, SEAL	1	Series 10	
6	23001396	SNAP RING, INTERNAL LU	1	Series 10	
7	23001397	SPOKE	1	Series 10	
8	NLA	WASHER (10.5)	1	Series 10	
9	23001304	BOLT (M8 X 35)	1	Series 10	
10	23001265	WASHER (8)	1	Series 10	
11	23001306	LOCKING NUT, SELF	1	Series 10	
12	23001240	NUT (M10)	1	Series 10	
13	23001400	LOCK WASHER, SPRING	1	Series 10	
14	23001201	WASHER (DIA. 22X11X1 BRASS)	6	Series 10	
15	23001266	NUT (M8)	1	Series 10	
16	23001389	BOLT (M10 X 25 STNLS STEEL)	1	Series 10	
17	23001401	TRUNNION ASSEMBLY	1	Series 10	

MFR18MCAVS - 10 - DRAIN & HOSE ASSEMBLY (SERIES 10)



Ref #	Part #	Description	Qty	Context Note	MSRP
1	23001244	VALVE, DRAIN (240V-50/60HZ)	1	Series 10	
1	23001402	VALVE, DRAIN (115V 60HZ)	-	Series 10	
1	23002321	MOTOR, DRAIN (240V)	1	Series 10	
2	23001245	HOSE, TUB	1	Series 10	
3	23001549	VALVE, HOSE OUTLET	1	Series 10	
4	23001247	HOSE, AIR DOME (30 CM)	1	Series 10	
5	23001248	HOSE, DRAIN	1	Series 10	
6	23001250	HOSE, AIR VENT	1	Series 10	
7	23001251	HOSE, OVERFLOW	1	Series 10	
8	23001252	HOSE, WATER LEVEL SWITCH	1	Series 10	
9	23001253	TEE, DRAIN	1	Series 10	
10	23001254	AIR VENT HOSE, SOAP BOX	1	Series 10	
11	23001255	TEE, OVERFLOW HOSE	1	Series 10	
12	23001256	CLAMP, HOSE (60-80)	1	Series 10	
13	23001257	CLAMP, CORBIN (A5.5)	1	Series 10	
14	23001258	CLAMP, HOSE (70-90)	2	Series 10	
15	23001259	CLAMP, CORBIN (A17.5)	3	Series 10	
16	23001260	BUSHING, AIR DOME HOSE	1	Series 10	
17	23001261	CLAMP, HOSE (32-50)	5	Series 10	
18	23001262	CLAMP, HOSE (20-32)	1	Series 10	
19	23001263	WASHER (8.4)	1	Series 10	
20	23001264	BOLT M8X20	1	Series 10	
21	23001265	WASHER (8)	1	Series 10	
22	23001266	NUT (M8)	1	Series 10	
23	23001267	BOLT (M8 X 120)	1	Series 10	
24	23001268	HOSE, DRAIN (90 DIA.)	1	Series 10	

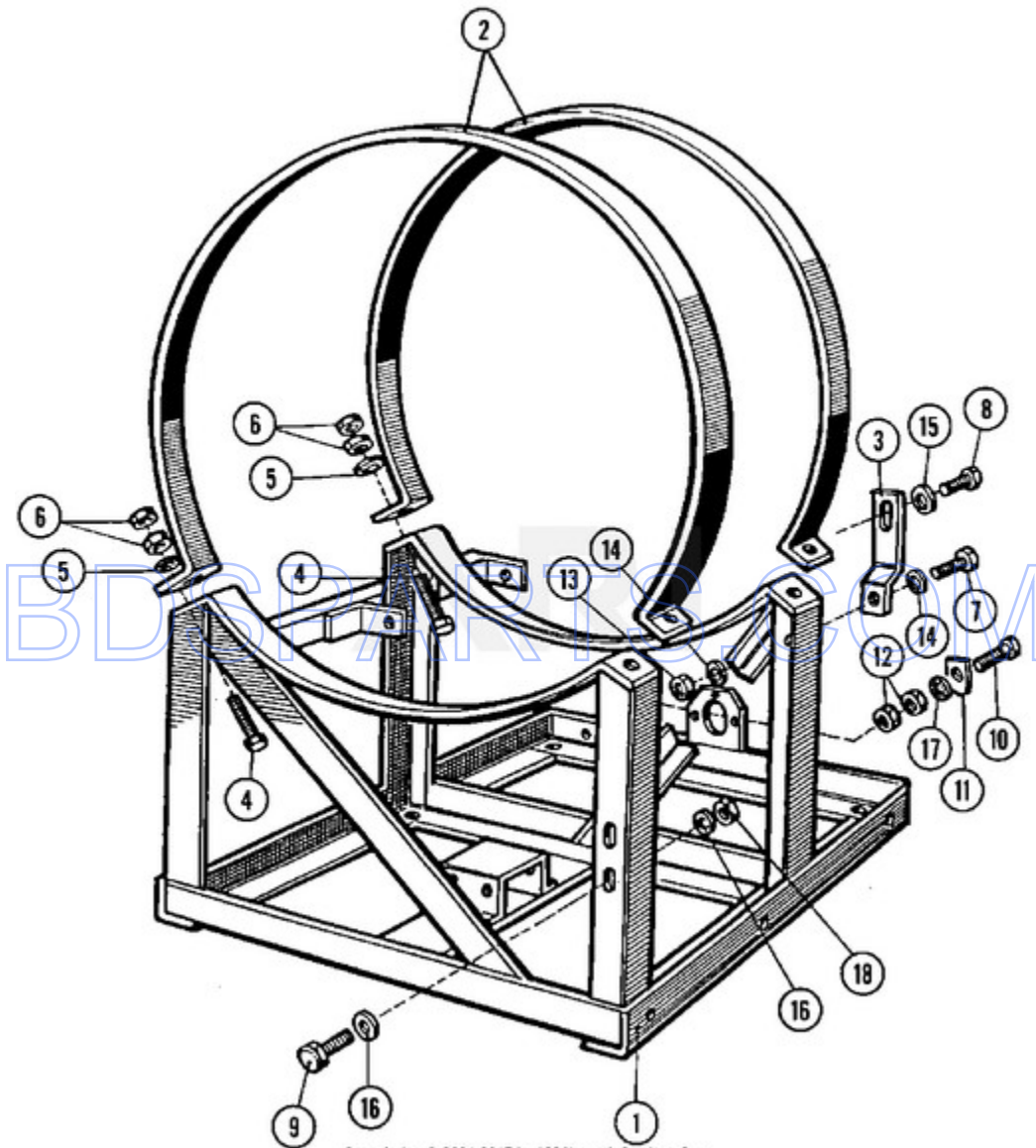
MFR18MCAVS - 11 - MOTOR & BASKET PULLEY (SERIES 10)



Ref #	Part #	Description	Qty	Context	Note	MSRP
1	23001403	MOTOR (THREE PHASE-240/208V)	1	Series	10	
1	23001405	MOTOR (SINGLE PHASE 115V)	-	Series	10	
2	23001408	COLLAR, RETAINER	1	Series	10	
3	23001409	V-PULLEY (DIA. 53 60HZ)	1	Series	10	
4	23001410	RING, TOLERANCE (DIA. 28)	1	Series	10	
5	23001411	SUPPORT ROD, MOTOR	1	Series	10	
6	23001289	SCREW, ALLEN SET (M8 X 10)	1	Series	10	
7	23001413	MOTOR, SPRING	1	Series	10	
8	NLA	WASHER (10.5)	1	Series	10	
9	23001400	LOCK WASHER, SPRING	1	Series	10	
10	23001414	BOLT (M10 X 25)	1	Series	10	
11	23001415	PULLEY, BASKET	1	Series	10	
12	NLA	SCREW, SET (M5 X 6)	1	Series	10	
13	23001282	WASHER (DIA. 37 X 13 X 3)	1	Series	10	
14	23001417	V-BELT (10 X 1575)	2	Series	10	
15	23001418	BOLT M12X25	1	Series	10	
16	23001419	LOCKWASHER(EXTERNAL TEETH M12)	1	Series	10	
17	23001420	MOTOR, SUSPENSION RUBBER	1	Series	10	

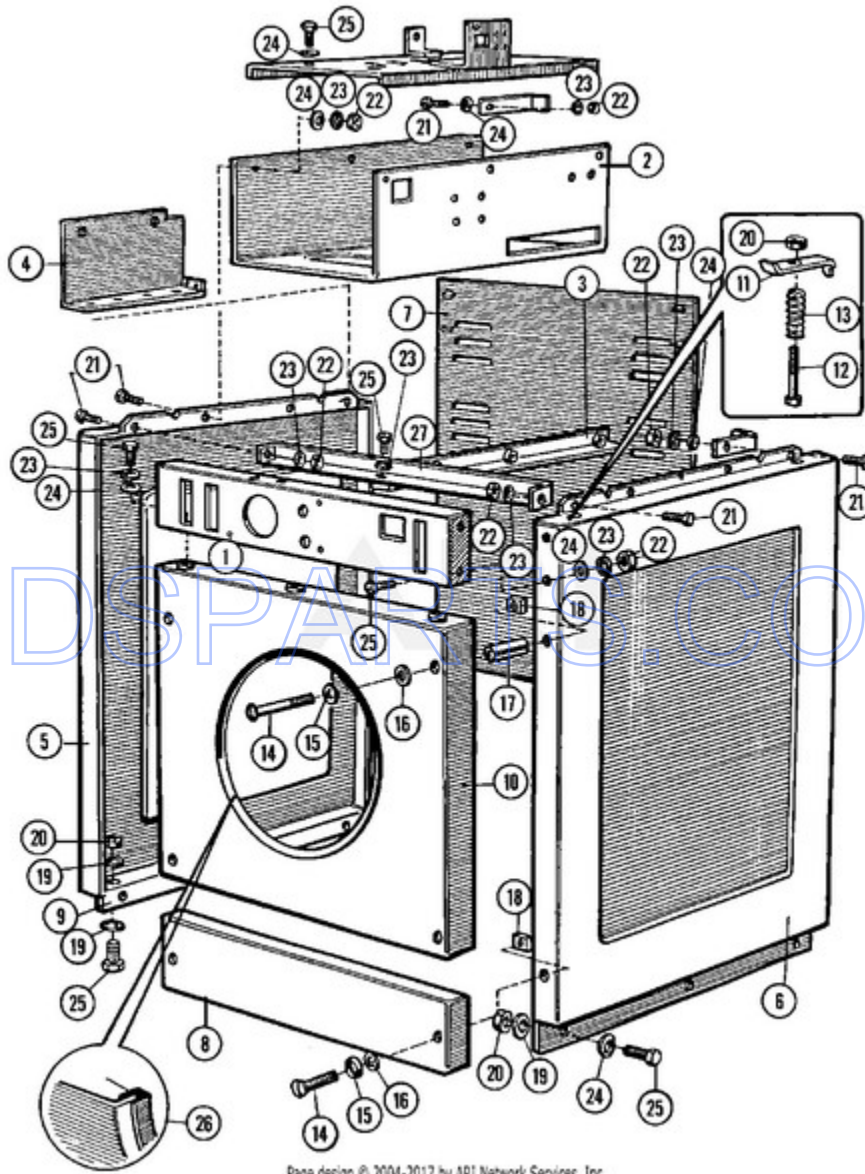


MFR18MCAVS - 12 - BASE FRAME (SERIES 10)



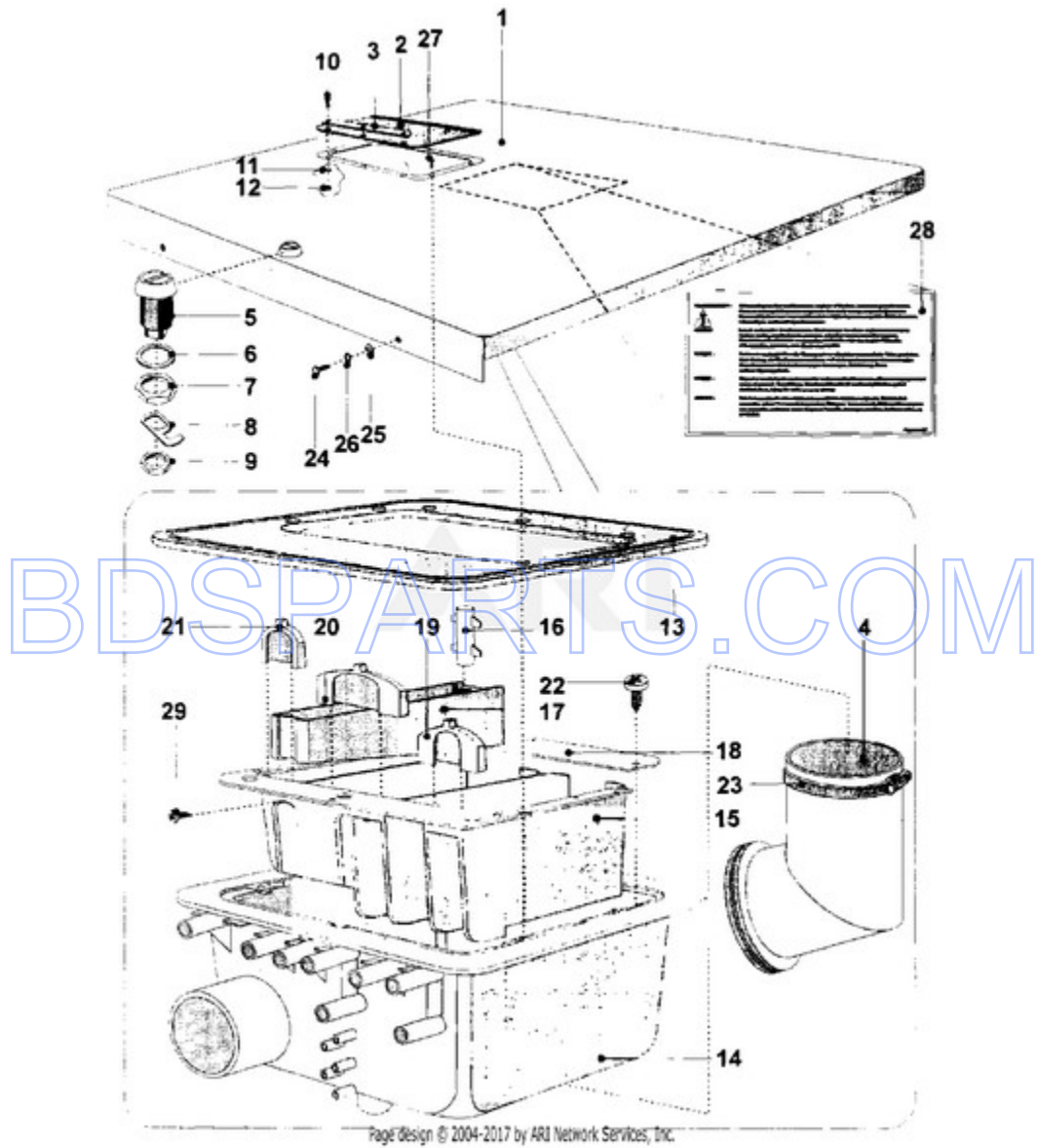
Ref #	Part #	Description	Qty	Context Note	MSRP
1	23001421	FRAME	1	Series 10	
2	NLA	CLAMP, TUB	1	Series 10	
3	NLA	BRACE, TUB SUPPORT	1	Series 10	
4	23001425	BOLT (M10X50)	1	Series 10	
5	23001400	LOCK WASHER, SPRING	1	Series 10	
6	23001240	NUT (M10)	1	Series 10	
7	23001304	BOLT (M8 X 35)	1	Series 10	
8	23001205	BOLT (M8 X 45)	1	Series 10	
9	23001307	BOLT (M6 X 20)	1	Series 10	
10	23001311	BOLT (M6 X 25)	1	Series 10	
11	23001308	HARDWARE, GROUNDING	1	Series 10	
12	23001312	NUT (M6)	1	Series 10	
13	23001266	NUT (M8)	1	Series 10	
14	23001265	WASHER (8)	1	Series 10	
15	NLA	WASHER (DIA. 30 X 8.5 X 2.5)	1	Series 10	
16	23001309	WASHER (6.4) LU	1	Series 10	
17	23001028	LOCKWASHER (EXTERNAL TEETH M6)	1	Series 10	
18	23001310	NUT, SELF LOCKING (M6)	1	Series 10	
19	23001313	WASHER (6.4)	1	Series 10	

MFR18MCAVS - 13 - CABINET (SERIES 10)



Ref #	Part #	Description	Qty	Context	Note	MSRP
1	NLA	PLATE, BACK-UP (COIN METER)	1	Series	10	
2	NLA	TRAY, ELECTRICAL COMPONENTS	1	Series	10	
3	23001511	BOX, HOLDER (ELECTRICAL COMP.)	1	Series	10	
4	NLA	CONDENSATORS, BOX	-	Series	10	
5	23001430	PANEL, SIDE (LT)	1	Series	10	
6	NLA	PANEL, SIDE (RT)	1	Series	10	
7	23001434	PANEL, REAR	1	Series	10	
8	23001436	PANEL, ACCESS (LWR)	1	Series	10	
9	23001437	SUPPORT, SIDE PANEL LU	1	Series	10	
10	NLA	PANEL, FRONT	1	Series	10	
11	23001442	COVER, HOOK	2	Series	10	
12	23001444	BOLT (M6X30)	1	Series	10	
13	23001445	COVER, SPRING	2	Series	10	
14	23001446	SCREW (M5 X 50 STNLS STEEL)	1	Series	10	
15	23001204	WASHER, FINISHING (DIA. 5)	8	Series	10	
16	23001447	WASHER, FIBER (12 X 6 X 2)	2	Series	10	
17	23001331	SPACER, PANEL	1	Series	10	
18	23001448	NUT, RAPID (M5)	6	Series	10	
19	23001309	WASHER (6.4) LU	1	Series	10	
20	23001310	NUT, SELF LOCKING (M6)	1	Series	10	
21	23001449	LOCKING NUT, SELF (M6)	1	Series	10	
22	23001034	NUT (M6)	1	Series	10	
23	23001028	LOCKWASHER (EXTERNAL TEETH M6)	1	Series	10	
24	23001027	WASHER (DIA. 12 X 6.5 X 1.6)	1	Series	10	
25	23001026	BOLT (M6 X 16)	1	Series	10	
26	23001088	TRIM, RUBBER	1	Series	10	
27	NLA	BEAM, CROSS	1	Series	10	

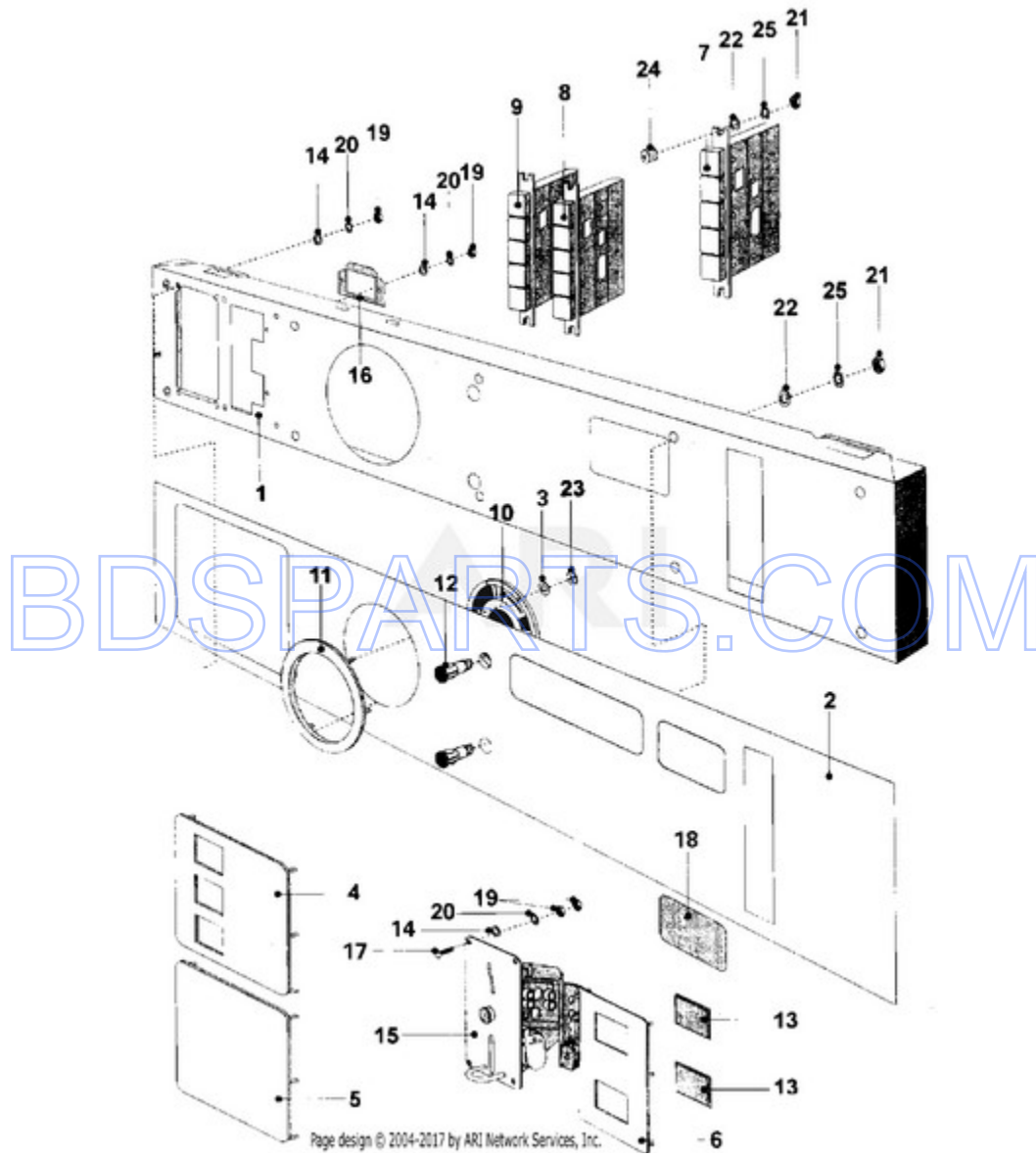
MFR18MCAVS - 14 - SOAP BOX & TOP COVER ASSY. (SERIES 11)



Ref #	Part #	Description	Qty	Context Note	MSRP
1	23003315	COVER, SOAP HOPPER	1	Series 11	
2	23001003	RUBBER COVER, SOAP BOX	1	Series 11	
3	23002893	LATH, RUBBER COVER SOAP HOPPER	1	Series 11	
4	23001005	RUBBER HOSE, SOAP BOX	1	Series 11	
5	23001006	LOCK, TOP PANEL	1	Series 11	
6	23001007	WASHER, FIBER	1	Series 11	
7	23001008	LOCK NUT (LARGE)	1	Series 11	
8	23001009	LOCK HOOK (SHORT)	1	Series 11	
9	23001011	NUT	1	Series 11	
10	23001012	SCREW (M4 X 12 STNLS STEEL)	3	Series 11	
11	23001636	WASHER	3	Series 11	
12	23002652	NUT (QTY OF 4 = 1 PIECE)	3	Series 11	
13	23001015	RUBBER SEAL, SOAP BOX	1	Series 11	
14	23001016	SOAP BOX HOUSING	1	Series 11	
15	23001017	SOAP BOX INSERT	1	Series 11	
16	23001018	SIPHON	1	Series 11	
17	23001019	TRAY	1	Series 11	
18	23001020	COVER, PLATE	1	Series 11	
19	23001021	DRAWER, PREWASH	1	Series 11	
20	23001022	DRAWER, MAIN WASH	1	Series 11	
21	23001021	DRAWER, PREWASH	1	Series 11	
22	23001024	SCREW	7	Series 11	
23	23001025	CLAMP, HOSE (DIA 90/110)	1	Series 11	
24	23002461	SCREW (M6X16)	2	Series 11	
25	23001027	WASHER (DIA. 12 X 6.5 X 1.6)	2	Series 11	
26	23001734	WASHER (M6)	2	Series 11	
27	23002894	SCREW (M5X15)	4	Series 11	
28	NLA	LABEL (SERV. WARNING)	1	Series 11	
29	23002318	SCREW, PAN HEAD (SLOTTED)	3	Series 11	



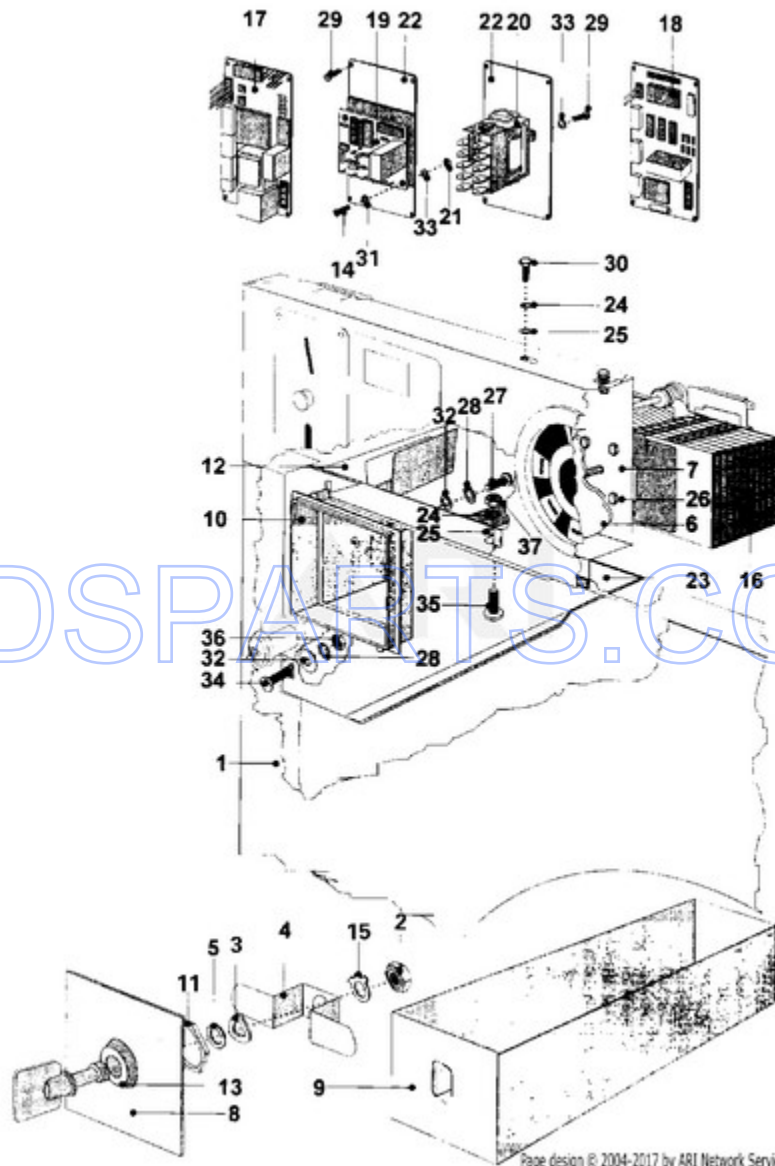
MFR18MCAVS - 15 - CONTROL PANEL-MC (SERIES 11)





Ref #	Part #	Description	Qty	Context Note	MSRP
1	23003287	PANEL, CONTROL	1	Series 56	
2	NLA	PANEL, FACIA (20C ON 3)	1	Series 56	
3	23002325	WASHER	6	Series 56	
4	NLA	PLATE, INDEX (PUSH BUTTONS)	1	Series 56	
5	NLA	PLATE, INDEX	1	Series 56	
6	23002522	PLATE, INDEX (WITHOUT HOLES)	1	Series 56	
6	NLA	PLATE, INDEX (COIN METER)	1	Series 56	
7	23002491	SWITCH, PROGRAM SELECTOR	1	Series 56	
8	23002492	SWITCH, SELECTOR W/RED BUTTON	1	Series 56	
9	23002493	SWITCH, SELECTOR	1	Series 56	
10	23002495	DISK, INDICATOR (SYMBOLS)	1	Series 56	
10	23002497	DISK, INDICATOR (ENGLISH)	1	Series 56	
11	23001044	ORNAMENTAL RING INDICATOR DISC	1	Series 56	
12	23001046	LAMP, INDICATOR	2	Series 56	
13	23001047	LENS, TRANSPARENT	1	Series 56	
13	23001049	LENS, TRANSPARENT RED	1	Series 56	
13	NLA	INSERT, ALUMINIUM	1	Series 56	
14	23001670	WASHER (M4)	12	Series 56	
15	23001063	COIN METER (25 CENTS-240V)	1	Series 56	
15	23001350	COIN METER (25 CENTS-115V)	1	Series 56	
16	23002864	PLATE, FIXATION (PLEXI)	2	Series 56	
17	23001064	SCREW (M3X10)	4	Series 56	
18	NLA	PLATE, INSERT	1	Series 56	
19	23002500	WASHER, LOCK	16	Series 56	
20	NLA	LOCKWASHER (M3)	12	Series 56	
21	23002399	NUT(M4)	16	Series 56	
22	23001056	WASHER (4.3)	16	Series 56	
23	23001057	SPEEDNUT (M3)	6	Series 56	
24	23001058	SPACER	6	Series 56	
25	23002111	WASHER (4)	16	Series 56	

MFR18MCAVS - 16 - TIMER & COIN METER ASSY. (SERIES 11)

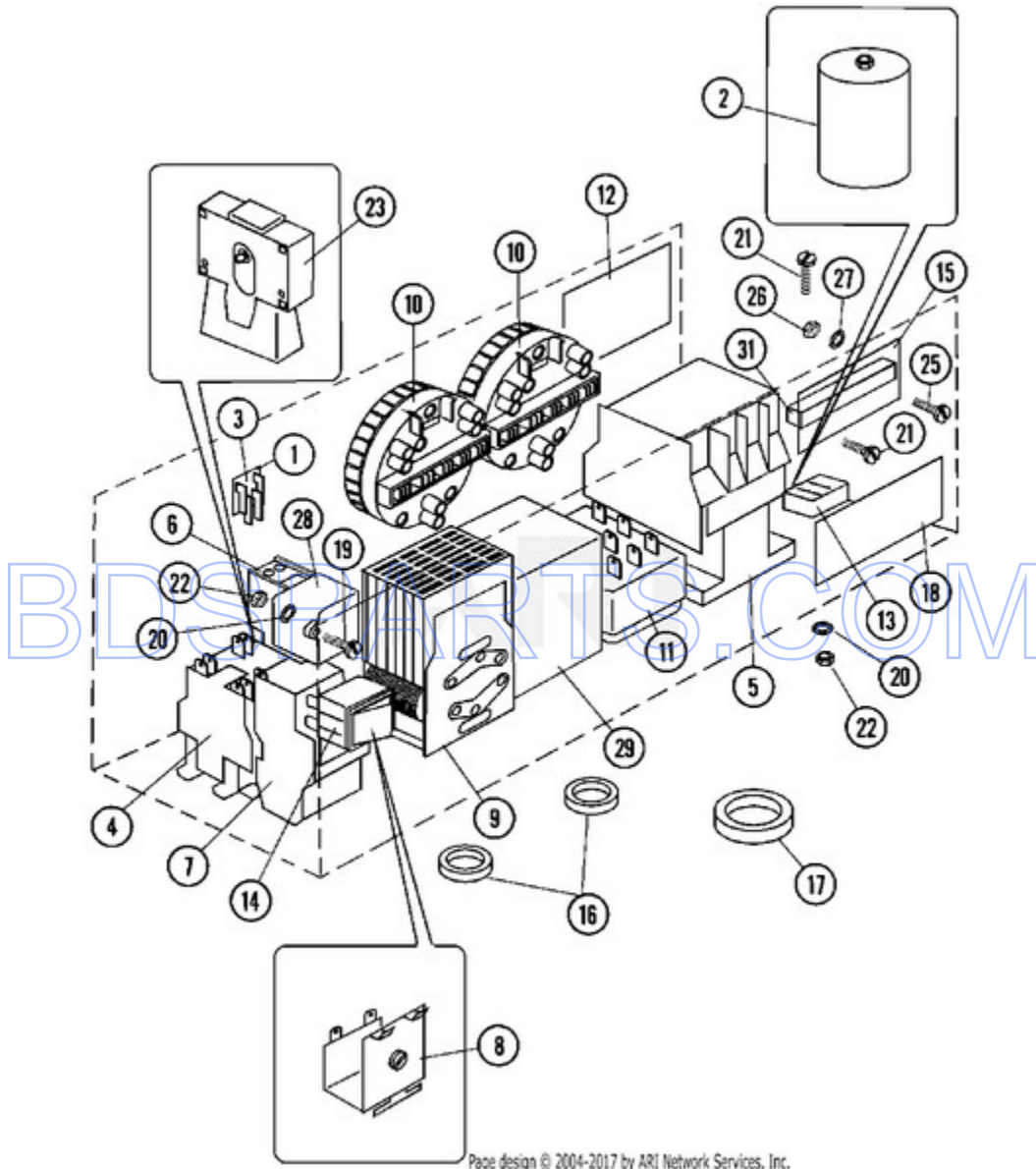


Ref #	Part #	Description	Qty	Context Note	MSRP
1	NLA	PANEL, FRONT	1	Series 11	
2	NLA	NUT, LOCK (SMALL)	1	Series 11	
3	NLA	WASHER, SPRING LOCK	1	Series 11	
4	23002879	CAM, COIN LOCK BOX	1	Series 11	
5	23001580	WASHER (6.4)	1	Series 11	
6	23001060	INDICATOR DISC, TIMER	1	Series 11	
7	23002880	TIMER, SUPPORT	1	Series 11	
8	23002881	PLATE, COIN VAULT ORNAMENTAL	1	Series 11	
9	23002882	BOX, COIN	1	Series 11	
10	NLA	ORNAMENTAL PART COIN VAULT	1	Series 11	
11	NLA	NUT, LOCK (BIG)	1	Series 11	
12	NLA	VAULT, COIN (SINGLE)	1	Series 11	
13	23002885	LOCK, COIN VAULT	1	Series 11	
14	23001131	SCREW (M3 X 14 CROSS RECESSED)	2	Series 11	
15	NLA	WASHER, SELF LOCKING	1	Series 11	
16	23001065	TIMER (PR 6023 230V)	1	Series 11	
16	23001351	TIMER (PR 6023-115V)	1	Series 11	
16	23003444	COIL (120V)	1	Series 11	
16	23003445	COIL (220V)	1	Series 11	
17	W10124350	NOT REQUIRED PART OR SEE NOTE	1		
18	23001066	COIN COUNTER (W/LED DISPLAY)	-	Series 11	
18	23001693	MEMORY	1	Series 11	
18	23003719	STEPPER BOARD / COIN COUNTER	1	Series 11	
19	W10124350	NOT REQUIRED PART OR SEE NOTE	1	Series 11	
20	23001068	START RELAY	1	Series 11	
21	23002500	WASHER, LOCK	2	Series 11	
22	NLA	MOUNTING PLATE, START RELAY	1	Series 11	
23	NLA	SUPPORT, COIN VAULT	1	Series 11	
24	23001734	WASHER (M6)	3	Series 11	
25	23001027	WASHER (DIA. 12 X 6.5 X 1.6)	3	Series 11	
26	23002952	SCREW (M4X4)	4	Series 11	
27	23002423	SCREW (M4X10)	4	Series 11	
28	23002111	WASHER (4)	5	Series 11	
29	23001052	SCREW (M3 X 6 CROSS RECESSED)	6	Series 11	
30	23002354	SCREW (M6X16)	2	Series 11	
31	23001670	WASHER (M4)	2	Series 11	
32	NLA	WASHER (4.3)	5	Series 11	
33	NLA	LOCKWASHER (M3)	2	Series 11	
34	23001012	SCREW (M4 X 12 STNLS STEEL)	1	Series 11	

<b>Ref #</b>	<b>Part #</b>	<b>Description</b>	<b>Qty</b>	<b>Context Note</b>	<b>MSRP</b>
35	NLA	SCREW (M6X12)	1	Series 11	
36	23001055	NUT (M4)	1	Series 11	
37	23001034	NUT (M6)	1	Series 11	
38	23001038	CONVERSION KIT (MC TO MN)	1	Series 11	
38	23002195	PC-PN CONVERSION KIT	-	Series 11	
38	23002333	PC TO PN CONVERSION (CSA)	-	Series 11	
38	23002334	MC TO MN CONVERS.(CSA)	1	Series 11	

BDSPARTS.COM

MFR18MCAVS - 17 - MAIN CONTROL (SERIES 11)



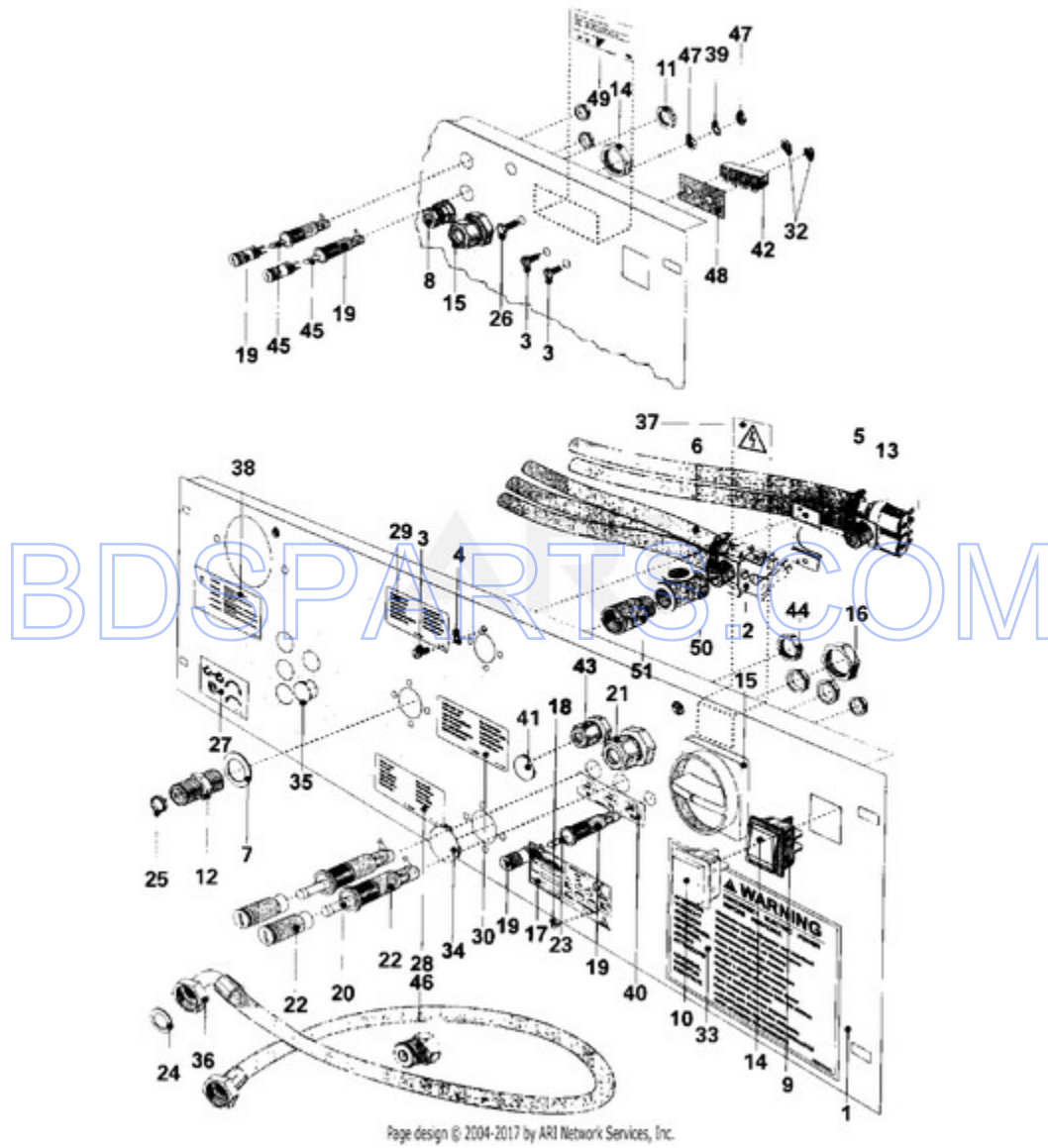
Ref #	Part #	Description	Qty	Context	Note	MSRP
1	23001094	BRIDGE, RECTIFIER	2	Series	11	
2	23001096	CAPACITOR (60MF)	1	Series	11	
2	23001097	CAPACITOR (100MF)	3	Series	11	
2	23001098	CAPACITOR (130MF)	2	Series	11	
2	23001357	CAPACITOR (25MF)	3	Series	11	
2	23001358	CAPACITOR (30MF)	2	Series	11	
3	23001099	PC BOARD SOCKET	2	Series	11	
4	23001100	CONTACTOR (LC1-D0901 M7)	2	Series	11	
4	23001101	CONTACTOR (LC1-D1201 M7)	2	Series	11	
4	23001547	CONTACTOR (LC1-D129 F7)	2	Series	11	
4	23003750	CONTACTOR LC1 DO9	1	Series	21	
4	23003751	CONTACTOR LC1 D12	2	Series	21	
5	23001102	CONTACTOR (LC1-D1801 M7)	1	Series	11	
5	23001103	CONTACTOR (LC1-D3201 M7)	1	Series	11	
6	23001104	AUXILIARY CONTACT (1NO-1NC)	1	Series	11	
7	23001106	RELAY, OVERLOAD (4-6A)	1	Series	11	
7	23001108	RELAY, OVERLOAD (7-10A)	1	Series	11	
7	23001359	RELAY, OVERLOAD (2.5-4A)	1	Series	11	
7	23002101	RELAY, OVERLOAD (5.5-8A)	1	Series	11	
7	23003755	Overload relay LR2D	1	Series	21	
7	23003756	OVERLOAD RELAY 4-6A	1	Series	21	
7	23003757	OVERLOAD RELAY 5.5-8A	1	Series	21	
7	23003758	Overload relay LR2D	1	Series	21	
8	23002955	BUZZER	1	Series	11	
9	23001110	TIMER, REVERSING (PR1840)	1	Series	11	
10	23001360	SWITCH, WATER LEVEL	1	Series	11	
10	23001513	SWITCH, WATER LEVEL	1	Series	11	
10	23003333	SWITCH, WATER LEVEL (ECO)	1	Series	11	
11	23002460	THERMOSTAT (4 TEMP)	1	Series	11	
12	23001465	STICKER, ELECTRICITY WARNING	1	Series	11	
13	23002959	CONNECTOR	1	Series	11	
14	23001114	ROCKER SWITCH, PREWASH/NO PREW	1	Series	11	
15	23001115	INSULATION PAPER	1	Series	11	
16	23001138	BUSHING, CABLE PASSAGE	2	Series	11	
17	23001117	RING, RUBBER (DIA. 25)	1	Series	11	
18	23001118	STICKER, LIQUID SOAP	1	Series	11	
19	23002423	SCREW (M4X10)	4	Series	11	
20	23002111	WASHER (4)	4	Series	11	
21	23002398	SCREW (M4X16)	4	Series	11	

Ref #	Part #	Description	Qty	Context	Note	MSRP
22	23002399	NUT(M4)	6	Series	11	
23	23001119	MECHANICAL INTERLOCK, CONTACTO	1	Series	11	
23	23003762	MECHANICAL INTERLOCK	1	Series	21	
24	23002952	SCREW (M4X4)	4	Series	11	
25	23002806	SCREW (M6X25)	3	Series	11	
26	23001515	NUT (M6)	9	Series	11	
27	23001734	WASHER (M6)	3	Series	11	
28	NLA	NET FILTER	2	Series	11	
29	23002348	TRANSFORMER, CONTROL CIRCUIT	1	Series	11	
29	23002954	TRANSFORMER	-	Series	11	
31	23002154	BOARD, TERMINAL (6 POLES)	1	Series	11	

BDSPARTS.COM



MFR18MCAVS - 18 - WATER VALVE & REAR PANEL (SERIES 11)

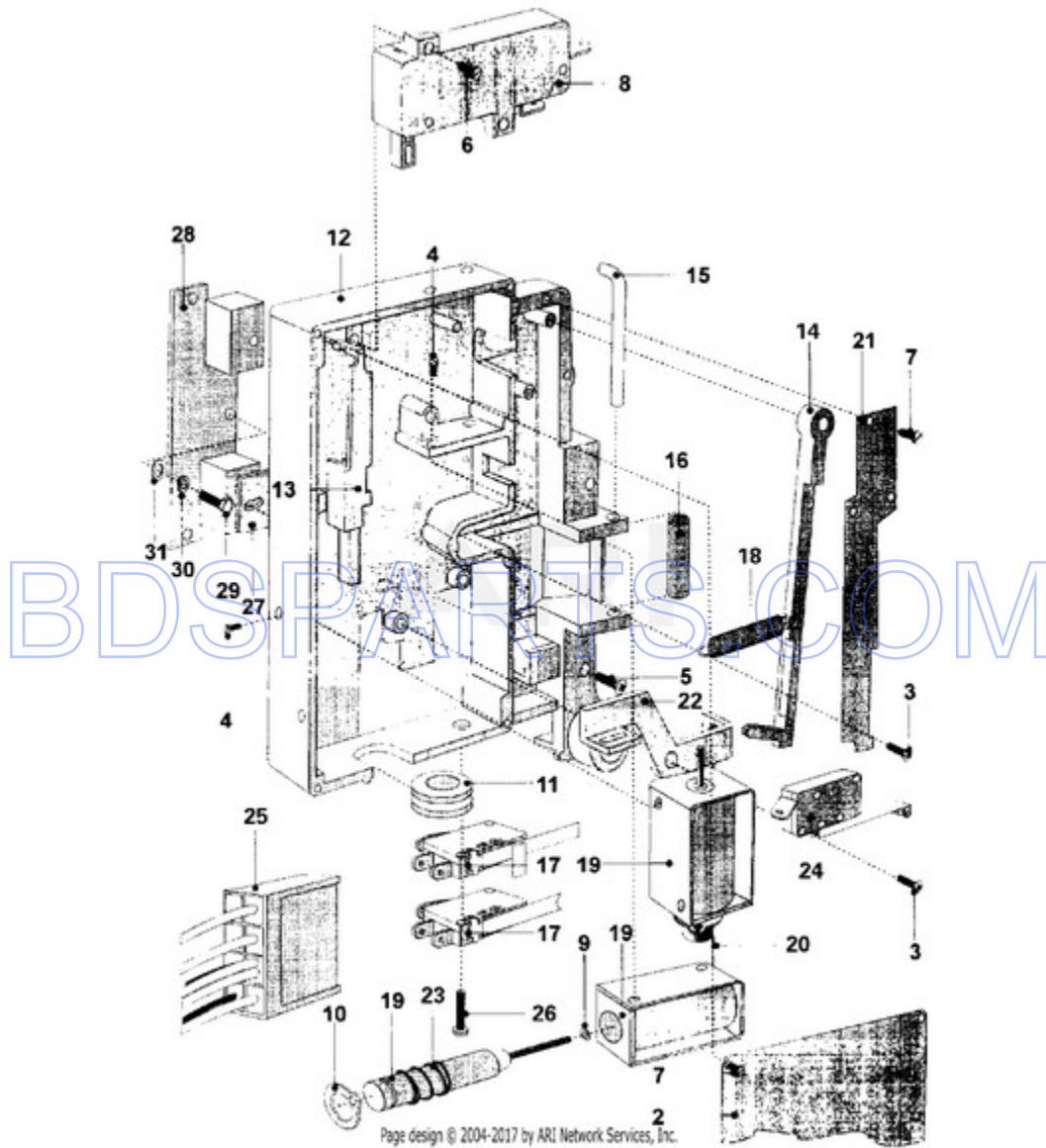


Ref #	Part #	Description	Qty	Context	Note	MSRP
1	23003320	BRIDGE, REAR	1	Series	11	
1	23003321	BRIDGE, REAR (USA)	1	Series	11	
2	23001533	VALVE, THREE-WAY	1	Series	11	
2	23003322	VALVE, THREE-WAY (115V 60HZ)	1	Series	11	
3	23002423	SCREW (M4X10)	8	Series	11	
4	23002111	WASHER (4)	6	Series	11	
5	23001506	CLAMP, HOSE	5	Series	11	
6	23001507	WATERHOSE (GREEN)	6	Series	11	
7	23001483	WASHER (DIA. 40 X 6.5 X 3)	1	Series	11	
8	23002196	SWIVEL, CABLE	1	Series	11	
9	23001529	BUTTON (RAPID ADVANCE)	1	Series	11	
10	23001452	PLUG (WHT)	1	Series	11	
11	23002197	NUT	1	Series	11	
12	23001482	NIPPLE (3/4` PIPE THREAD)	1	Series	11	
13	23001455	VALVE, TWO WAY (220V 50/60HZ)	2	Series	11	
13	23001456	VALVE, TWO WAY (115V 60HZ)	2	Series	11	
14	23001532	COVER, BUTTON (PLASTIC)	1	Series	11	
15	23001731	SWITCH, MAIN (63A)	1	Series	11	
15	23002914	SWITCH, MAIN (20A)	1	Series	11	
15	23002915	SWITCH, MAIN (32A)	1	Series	11	
15	23002916	SWITCH, MAIN (80A)	1	Series	11	
16	23002212	NUT	1	Series	11	
17	23003323	PLATE, ID (USA)	1	Series	11	
18	23001461	RIVETS, BLIND	2	Series	11	
18	23001476	PLUG, WATER INLET	1	Series	11	
19	23001462	HOLDER, FUSE	1	Series	11	
20	23002918	FUSE (1A)	2	Series	11	
21	NLA	SWIVEL	1	Series	11	
22	23002210	HOLDER, FUSE	2	Series	11	
23	23002919	FUSE (5A)	1	Series	11	
24	23002921	WASHER, FILL HOSE	6	Series	11	
25	23002922	FILTER	3	Series	11	
26	23003326	BOLT (M6X25)	1	Series	11	
27	23001468	STICKER, SPIN DIRECTION	1	Series	11	
28	NLA	PLATE, INDEX ``HOT WATER``	1	Series	11	
29	NLA	PLATE, INDEX (COLD HARD WATER)	1	Series	11	
30	NLA	PLATE, INDEX (COLD SOFT WATER)	1	Series	11	
31	23001509	STICKER, PIPE THREAD	1	Series	11	
32	23001055	NUT (M4)	2	Series	11	

<b>Ref #</b>	<b>Part #</b>	<b>Description</b>	<b>Qty</b>	<b>Context Note</b>	<b>MSRP</b>
33	NLA	LABEL (ELEC. WARNING)	1	Series 11	
34	23001476	PLUG, WATER INLET	1	Series 11	
35	NLA	PLUG (13)	5	Series 11	
36	23001486	HOSE, CONNECTION	1	Series 11	
36	23001523	HOSE, CONNECTION	1	Series 11	
37	23002920	PLATE, INDEX (FLASH)	1	Series 11	
38	23002053	LABEL, WARNING VENT OUT	1	Series 11	
39	23001158	WASHER (M6)	1	Series 11	
40	23003328	STICKER (1A 400V)	1	Series 11	
40	NLA	STICKER (1A)	1	Series 11	
41	23002243	PLUG, UNIVERSAL	1	Series 11	

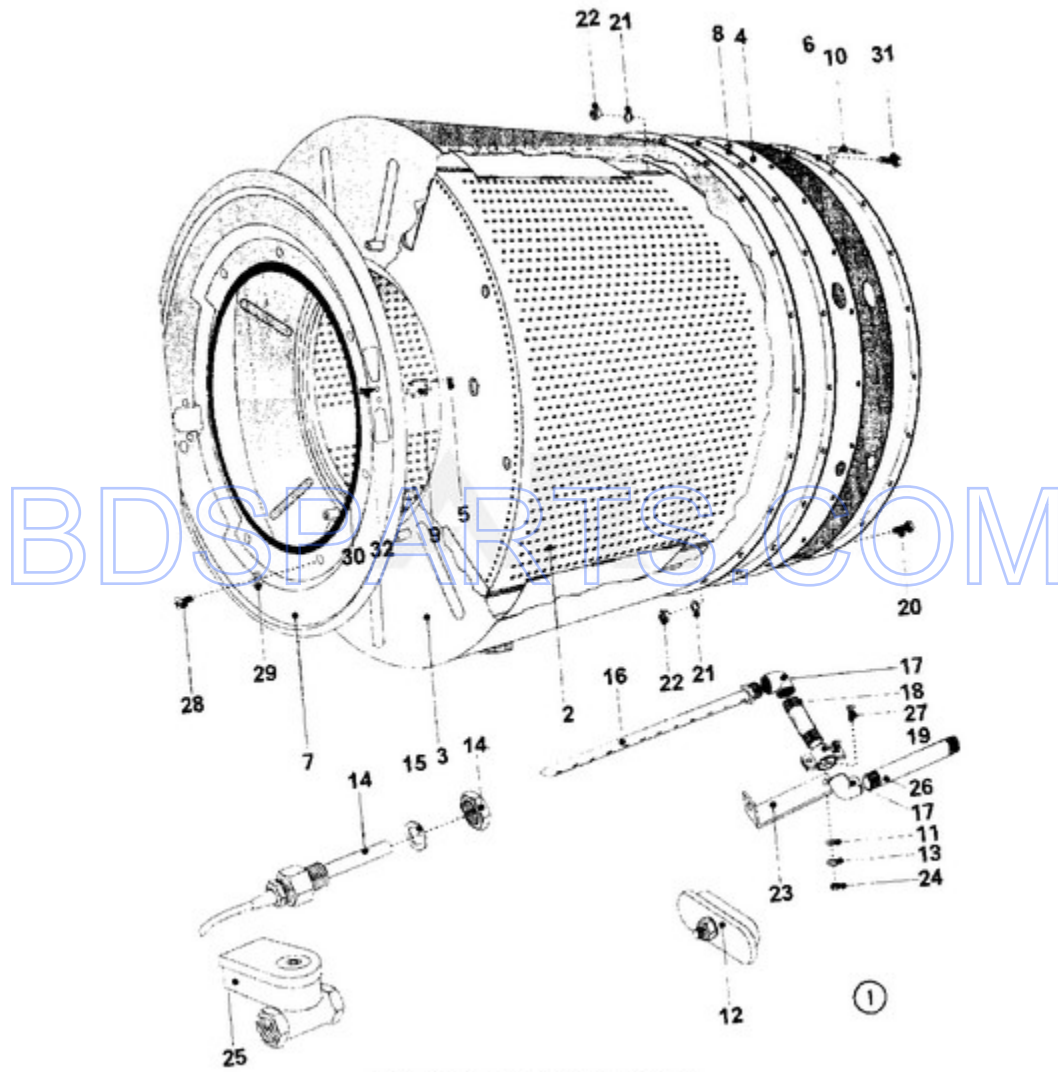
BDSPARTS.COM

MFR18MCAVS - 19 - DOOR LOCK ASSEMBLY (SERIES 11)



Ref #	Part #	Description	Qty	Context	Note	MSRP
1	12001889	DOOR LOCK ASSY.(120V 60HZ)	1	Series	11	
1	23003318	LOCK, DOOR	-	Series	11	
1	Y23002897	DOOR LOCK ASSY.(220V 50/60HZ)	-	Series	11	
2	23001130	PLATE, COVER (STNLS STEEL)	1	Series	11	
3	23001131	SCREW (M3 X 14 CROSS RECESSED)	3	Series	11	
4	23001132	SCREW (M3 X 4 CROSS RECESSED)	4	Series	11	
5	23001133	SCREW (M5X25 STAINLESS STEEL)	2	Series	11	
6	NLA	PLATE, BACK-UP	2	Series	11	
7	23001134	BOLT (M3 X 6)	7	Series	11	
8	23001135	BIMETAL, ACTUATOR (230V)	11	Series	11	
9	23001136	WASHER (DIA. 5.1 X 3.3 X 0.1)	2	Series	11	
10	23001137	RING, RETAINING (G10)	1	Series	11	
11	23001138	BUSHING, CABLE PASSAGE	1	Series	11	
12	Y23002898	GROUND, PLATE LOCK	3	Series	11	
13	23001140	BAR, LOCKING	1	Series	11	
14	23002899	HANDLE, LOCKING PART	1	Series	11	
15	23001142	RETAINER, LOCK TUBE (DIA.4X45)	1	Series	11	
16	23001143	LOCK TUBE (DIA. 4X23.5 STNLS)	1	Series	11	
17	23001144	MICROSWITCH, SHORT LEVER	2	Series	11	
18	23002900	SPRING, LOCKING PART	1	Series	11	
19	23001146	COIL (240V)	1	Series	11	
19	23001147	COIL (120V)	1	Series	11	
20	23002901	CORD, OPENING	1	Series	11	
21	23001149	LEAF SPRING, LATCH BAR	1	Series	11	
22	NLA	LEVEL, OPENING	1	Series	11	
23	23002903	SPRING, LOCKING PART	1	Series	11	
24	23002337	MICROSWITCH W/ ROLLER ARM	1	Series	11	
25	23002904	WIRING, DOOR LOCK	1	Series	11	
25	NLA	WIRING, DOOR LOCK	1	Series	11	
26	23002906	SCREW (M3X25)	2	Series	11	
27	23001155	SHIM	1	Series	11	
28	23001156	SPACER, LOCK	1	Series	11	
29	23002353	SCREW (M6X12)	3	Series	11	
30	23001158	WASHER (M6)	3	Series	11	
31	23001159	WASHER (DIA. 14X8.6X1 STNLS)LU	3	Series	11	

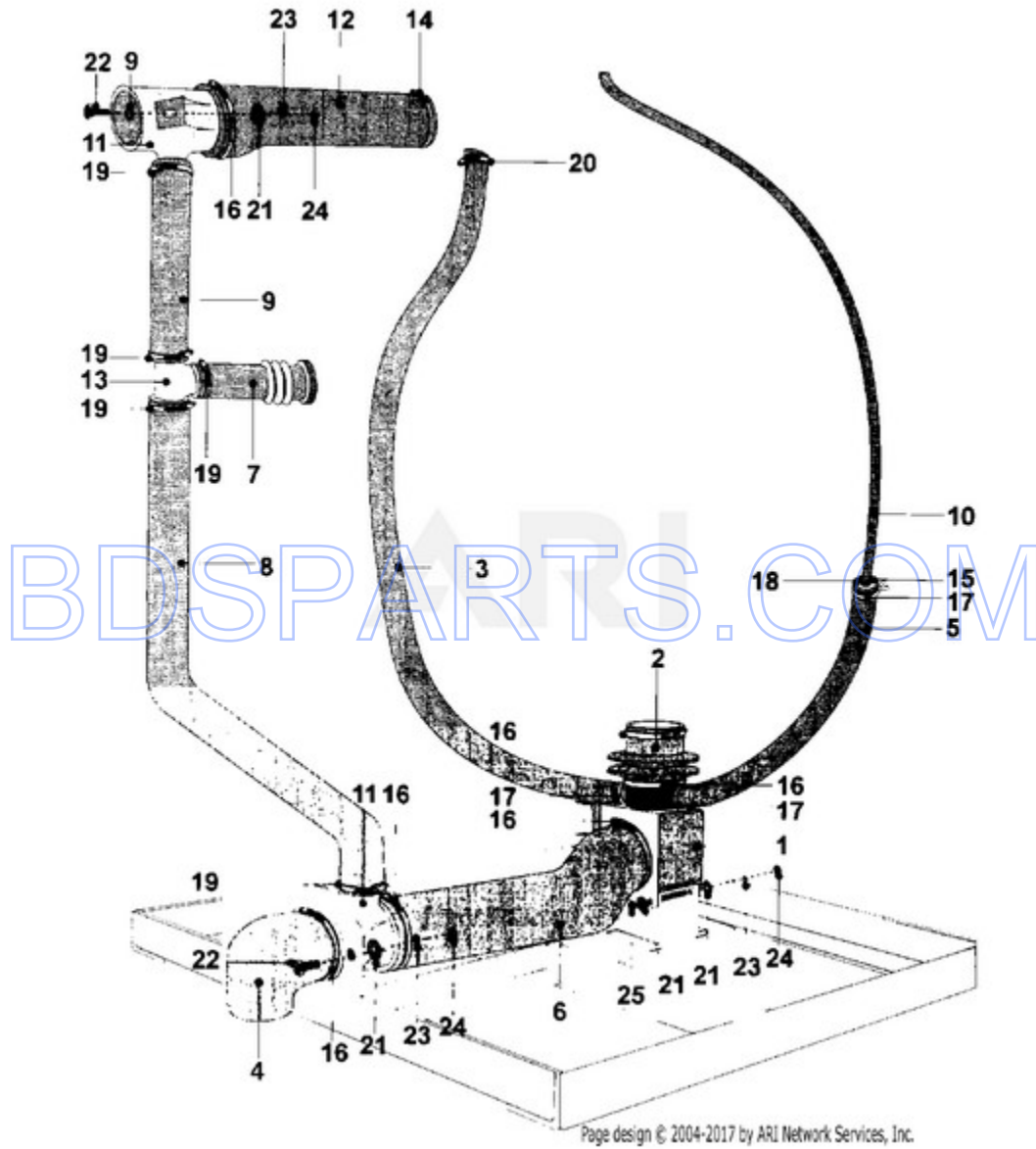
MFR18MCAVS - 20 - BASKET & OUTER SHELL ASSY. (SERIES 11)



Ref #	Part #	Description	Qty	Context Note	MSRP
1	NLA	TUB (COMPLETE)	1	Series 11	
2	23003335	DRUM/SHAFT	1	Series 11	
3	NLA	TUB	1	Series 11	
4	23001381	BASE PLATE (STNLS STEEL)	1	Series 11	
4	NLA	BASE PLATE (WITHOUT HOLES)	1	Series 11	
5	23002399	NUT(M4)	2	Series 11	
6	NLA	RING	1	Series 11	
7	NLA	SHIELD	1	Series 11	
8	23001387	GASKET, SHELL (REAR)	1	Series 11	
9	23001200	HINGE, MIRCO SWITCH	1	Series 11	
10	23001206	BRACKET, MOTOR HARNESS	1	Series 11	
11	23001708	WASHER (5.3)	1	Series 11	
12	23001594	BLIND, HEATING ELEMENT	3	Series 11	
13	23001333	LOCK WASHER (M5) LU	1	Series 11	
14	23001592	ADAPTOR	1	Series 11	
15	23002179	WASHER	1	Series 10	
16	NLA	INJECTOR (LOW PRESSURE)	1	Series 10	
17	NLA	ELBOW (1/2``)	2	Series 11	
18	NLA	TUBE (1/2``)	1	Series 11	
19	NLA	CLAMP, STEAM TUBE	1	Series 10	
20	23002646	SCREW (M8X40)	12	Series 10	
21	23002358	WASHER (8)	12	Series 10	
22	23001607	NUT (M8)	12	Series 10	
23	NLA	CLAMP, SUPPORT	1	Series 10	
24	23002466	NUT (M5)	1	Series 11	
25	NLA	VALVE, STEAM (1/2``)	1	Series 11	
26	NLA	TUBE (1/2``-15CM)	1	Series 11	
27	23002894	SCREW (M5X15)	1	Series 11	
28	23002617	SCREW (M4X8)	4	Series 11	
29	23001204	WASHER, FINISHING (DIA. 5)	4	Series 11	
30	23001088	RUBBER TRIM	1	Series 11	
31	23001304	BOLT (M8 X 35)	1	Series 11	
31	23002646	SCREW (M8X40)	1	Series 11	
32	23002398	SCREW (M4X16)	2	Series 11	

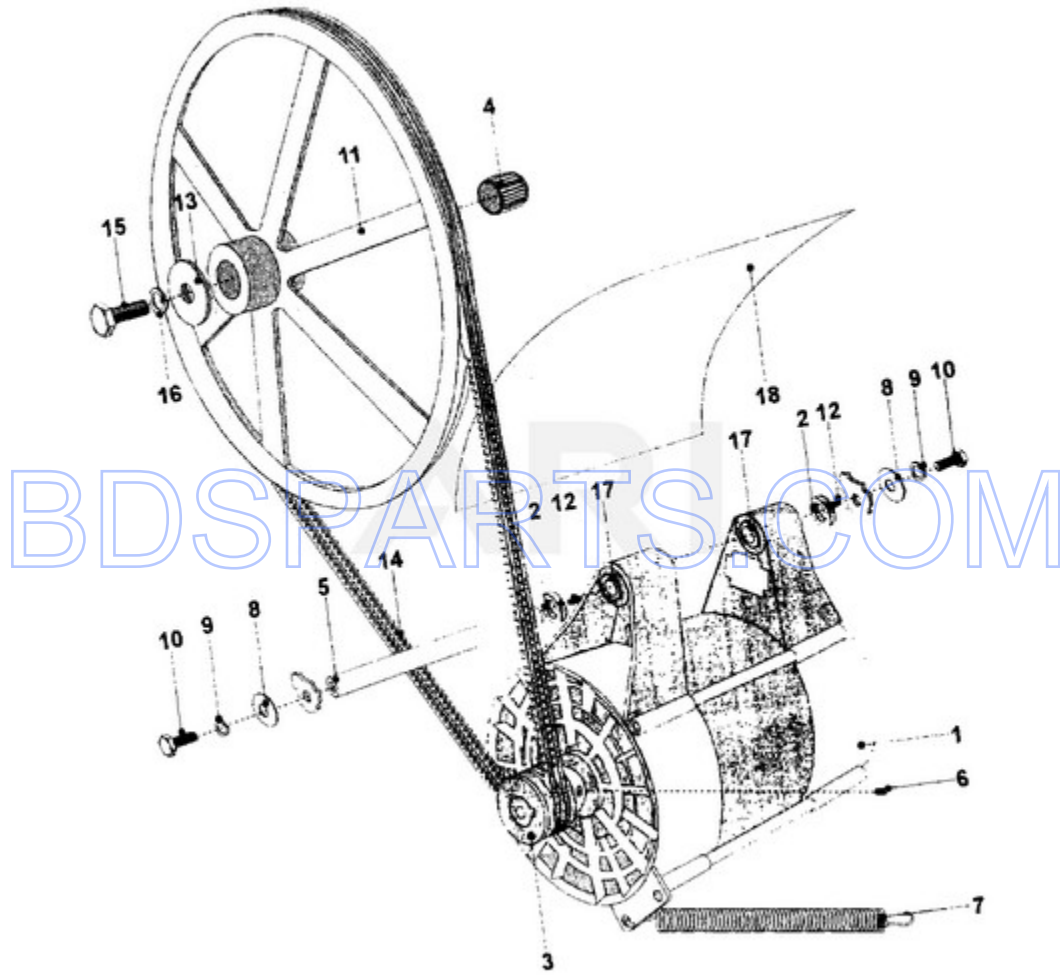


MFR18MCAVS - 21 - DRAIN & HOSE ASSEMBLY (SERIES 11)



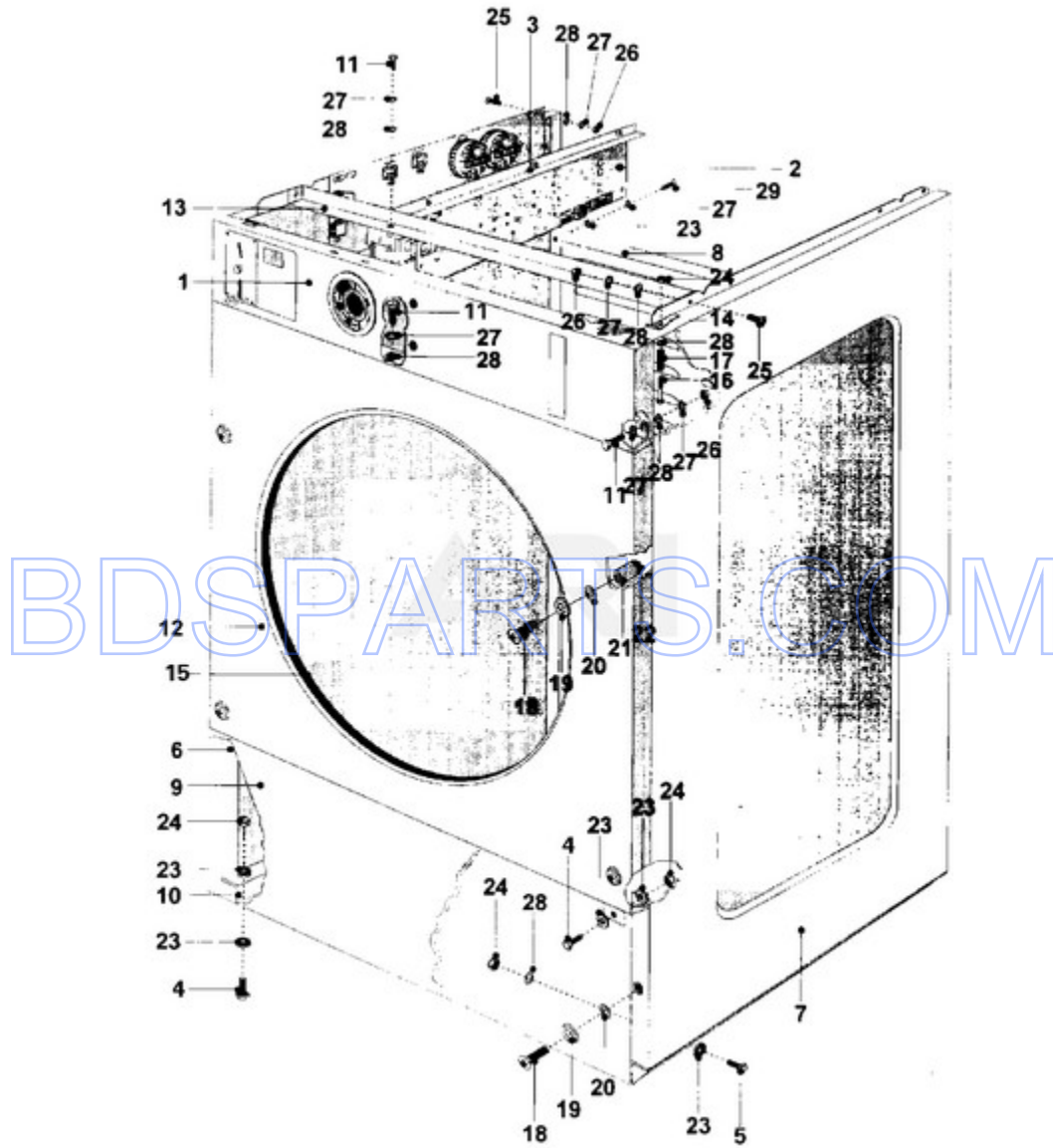
Ref #	Part #	Description	Qty	Context	Note	MSRP
1	23001244	VALVE, DRAIN (240V-50/60HZ)	1	Series	11	
1	23001402	VALVE, DRAIN (115V 60HZ)	1	Series	11	
2	23002907	TUB, OUTLET VALVE HOSE	1	Series	11	
3	23001549	HOSE, OUTLET (SOAPHOPPER) LU	1	Series	11	
4	23003245	HOSE, 90 DEGREE OUTLET	1	Series	11	
5	23001247	HOSE, AIR DOME (30 CM)	1	Series	11	
6	23001248	HOSE, DRAIN	1	Series	11	
7	23001250	HOSE, AIR VENT	1	Series	11	
8	23001251	HOSE, OVERFLOW	1	Series	11	
9	23001203	WASHER (DIA. 16 X 8.4 X 1.6)	2	Series	11	
10	23001252	HOSE, WATER LEVEL SWITCH	1	Series	11	
11	23001253	DRAIN TEE	2	Series	11	
12	23001254	AIR VENT HOSE, SOAP BOX	1	Series	11	
13	23001255	TEE, OVERFLOW HOSE	1	Series	11	
14	23001256	CLAMP, HOSE (60-80)	1	Series	11	
15	23001257	CLAMP, CORBIN (A5.5)	1	Series	11	
16	23001258	CLAMP, HOSE (70-90)	6	Series	11	
17	23001259	CLAMP, CORBIN (A17.5)	3	Series	11	
18	23001260	BUSHING, AIR DOME HOSE	1	Series	11	
19	23001261	CLAMP, HOSE (32-50)	5	Series	11	
20	23001262	CLAMP, HOSE (20-32)	1	Series	11	
21	23002437	WASHER M8	8	Series	11	
22	23001264	BOLT M8X20	4	Series	11	
23	23002358	WASHER (M8)	6	Series	11	
24	23002435	NUT (M8)	6	Series	11	
25	23002908	SCREW (M8X120)	2	Series	11	

MFR18MCAVS - 22 - MOTOR & BASKET PULLEY (SERIES 11)



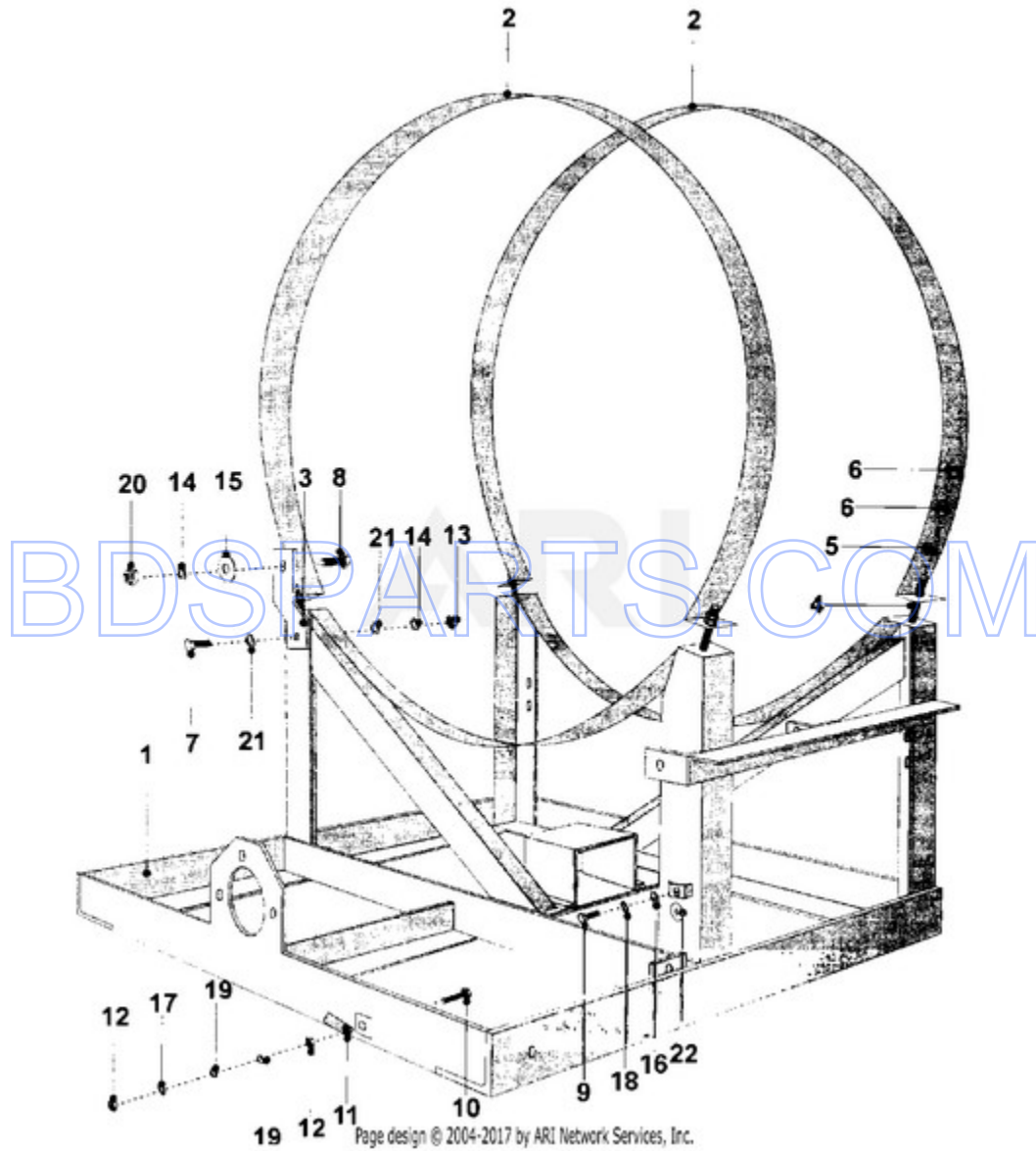
Ref #	Part #	Description	Qty	Context	Note	MSRP
1	23001403	MOTOR (THREE PHASE-240/208V)	1	Series	11	
1	23001405	MOTOR (SINGLE PHASE 115V)	-	Series	11	
2	23003329	RING, SLIDING	2	Series	11	
3	23001409	V-PULLEY (DIA. 53 60HZ)	1	Series	11	
4	23001410	RING, TOLERANCE (DIA. 28)	1	Series	11	
5	23003330	SHAFT, MOTOR	1	Series	11	
6	23002929	SCREW, SOCKET SET (M8X10)	2	Series	11	
7	23001413	MOTOR, SPRING	1	Series	11	
8	23002655	WASHER (10/5)	2	Series	11	
9	23001400	LOCK WASHER, SPRING	2	Series	11	
10	23001905	BOLT M10X25	2	Series	11	
11	23001415	PULLEY, BASKET	1	Series	11	
12	23003267	SCREW (M5X6)	2	Series	11	
13	23001282	WASHER (DIA. 37 X 13 X 3)	1	Series	11	
14	23001417	V-BELT (10 X 1575)	2	Series	11	
15	23003332	BOLT (M12-1.75 X 25)	1	Series	11	
16	23002658	WASHER (12)	1	Series	11	
17	23001420	MOTOR, SUSPENSION RUBBER	2	Series	11	
18	NLA	COVER, PLASTIC	1	Series	11	

MFR18MCAVS - 23 - CABINET (SERIES 11)



Ref #	Part #	Description	Qty	Context	Note	MSRP
1	23003287	PANEL, CONTROL (W/COIN METER)	1	Series	11	
2	NLA	BOX/ELECTRICAL COMPONENTS	1	Series	11	
3	NLA	HOLDER, ELEC. COMPONENT BOX	1	Series	11	
4	23002462	SCREW (M6X20)	4	Series	11	
5	23001335	BOLT (M6X25)	4	Series	11	
6	23003291	PANEL, SIDE (LT)	1	Series	11	
7	23003293	PANEL, SIDE (RT)	1	Series	11	
8	23003295	PANEL, REAR	1	Series	11	
9	23003297	PANEL, SERVICE	1	Series	11	
10	23003298	SUPPORT, SIDE PANEL	2	Series	11	
11	23002354	SCREW (M6X16)	24	Series	11	
12	NLA	PANEL, FRONT	1	Series	11	
13	NLA	HOLDER, COMPONENTS	1	Series	11	
14	23001442	COVER, HOOK	2	Series	11	
15	23001088	RUBBER TRIM	1	Series	11	
16	23002463	SCREW (M6X30)	2	Series	11	
17	23001445	COVER, SPRING	2	Series	11	
18	23001446	SCREW (M5 X 50 STNLS STEEL)	6	Series	11	
19	23001204	WASHER, FINISHING (DIA. 5)	6	Series	11	
20	23001447	WASHER, FIBER (12 X 6 X 2)	6	Series	11	
21	23002860	TUBE, DISTANCE	4	Series	11	
22	23001448	NUT, RAPID (M5)	3	Series	11	
23	23001309	WASHER (6.4) LU	20	Series	11	
24	23002471	NUT	10	Series	11	
25	NLA	BOLT (M6X16)	5	Series	11	
26	23002651	NUT (M6)	9	Series	11	
27	23001734	WASHER (M6)	33	Series	11	
28	23001027	WASHER (DIA. 12 X 6.5 X 1.6)	35	Series	11	

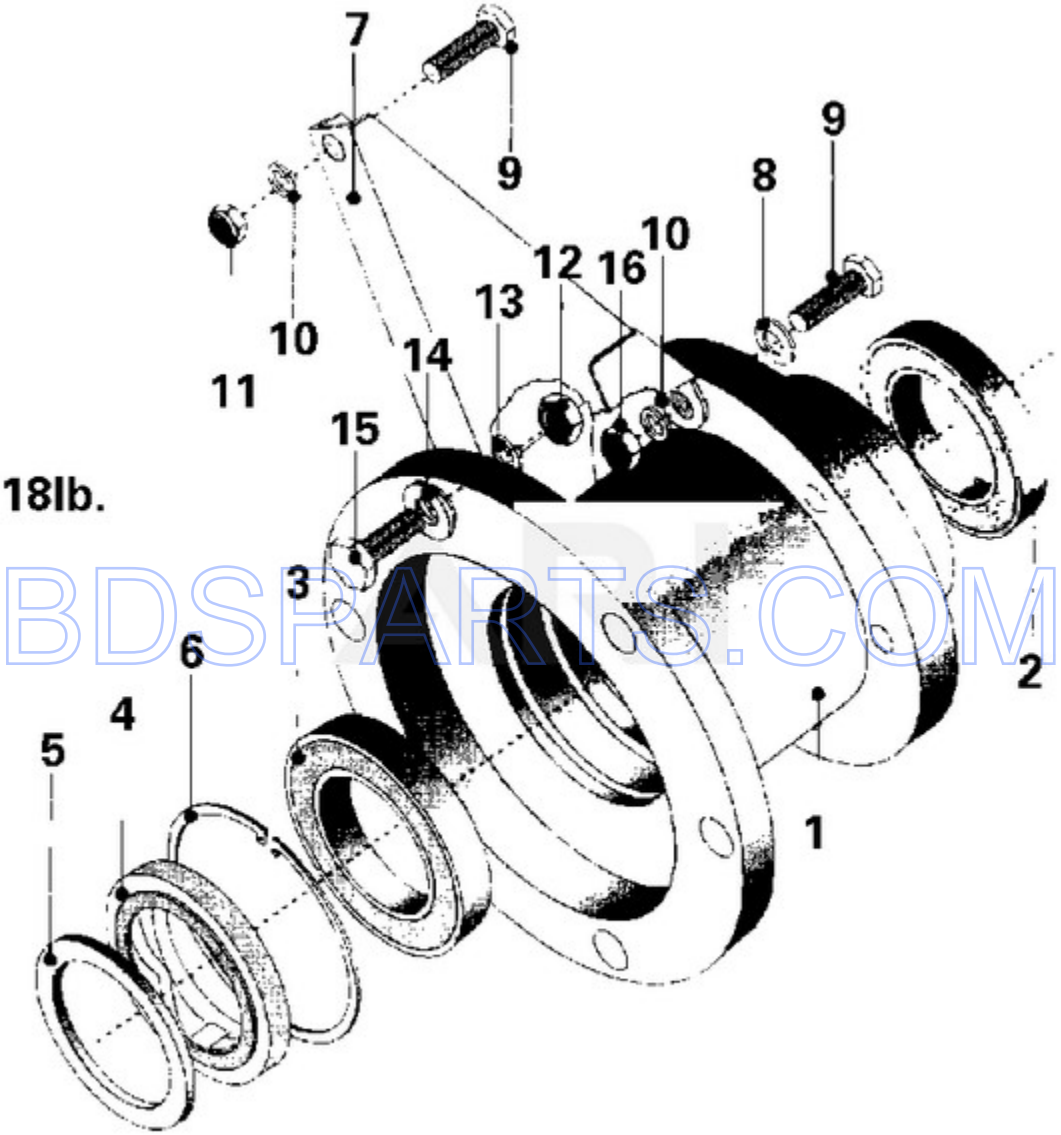
MFR18MCAVS - 24 - BASE FRAME (SERIES 11)





Ref #	Part #	Description	Qty	Context	Note	MSRP
1	23003281	FRAME	1	Series	11	
2	NLA	CLAMP, TUB	2	Series	11	
3	NLA	BRACE, TUB SUPPORT	1	Series	11	
4	23003285	BOLT M10X50	4	Series	11	
5	23002654	WASHER (10)	4	Series	11	
6	23001661	NUT M10	8	Series	11	
7	23001304	BOLT (M8 X 35)	1	Series	11	
8	23002847	SCREW (M8X45)	1	Series	11	
9	23002462	SCREW (M6X20)	1	Series	11	
10	23002806	SCREW (M6X25)	1	Series	11	
11	23001308	GROUNDING HARDWARE	1	Series	11	
12	23001515	NUT (M6)	2	Series	11	
13	23002435	NUT (M8)	1	Series	11	
14	23002358	WASHER (M8)	2	Series	11	
15	NLA	WASHER (DIA. 30 X 8.5 X 2.5)	1	Series	11	
16	23001159	WASHER (DIA. 14X8.6X1 STNLS)LU	1	Series	11	
17	23001734	WASHER (M6)	1	Series	11	
18	23001158	WASHER (M6)	1	Series	11	
19	23001313	WASHER (6.4)	2	Series	11	
20	23002435	NUT (M8)	1	Series	11	
21	23001203	WASHER (DIA. 16 X 8.4 X 1.6)	2	Series	11	
22	NLA	PLATE, INDEX	1	Series	11	

MFR18MCAVS - 25 - BEARINGS & TRUNNION ASSY. (SERIES 11)



Ref #	Part #	Description	Qty	Context Note	MSRP
1	23001390	TRUNNION (CASTING ONLY)	1	Series 11	
2	23001391	BEARING (REAR)	1	Series 11	
3	23001232	BEARING (FRT)	1	Series 11	
4	23001393	SEAL, WATER	1	Series 11	
5	23001395	RING, SEAL	1	Series 11	
6	23001396	SNAP RING, INTERNAL LU	1	Series 11	
7	23003368	SPOKE	6	Series 11	
8	23002437	WASHER M8	6	Series 11	
9	23001304	BOLT (M8 X 35)	12	Series 11	
10	23002358	WASHER (M8)	12	Series 11	
11	23001607	NUT (M8)	6	Series 11	
12	23001661	NUT M10	6	Series 11	
13	23001400	LOCK WASHER, SPRING	6	Series 11	
14	23001201	WASHER (DIA. 22X11X1 BRASS)	6	Series 11	
15	23003354	BOLT (M10X25)	6	Series 11	
16	23003355	NUT (M8)	6	Series 11	
17	23001401	TRUNNION ASSEMBLY	1	Series 11	