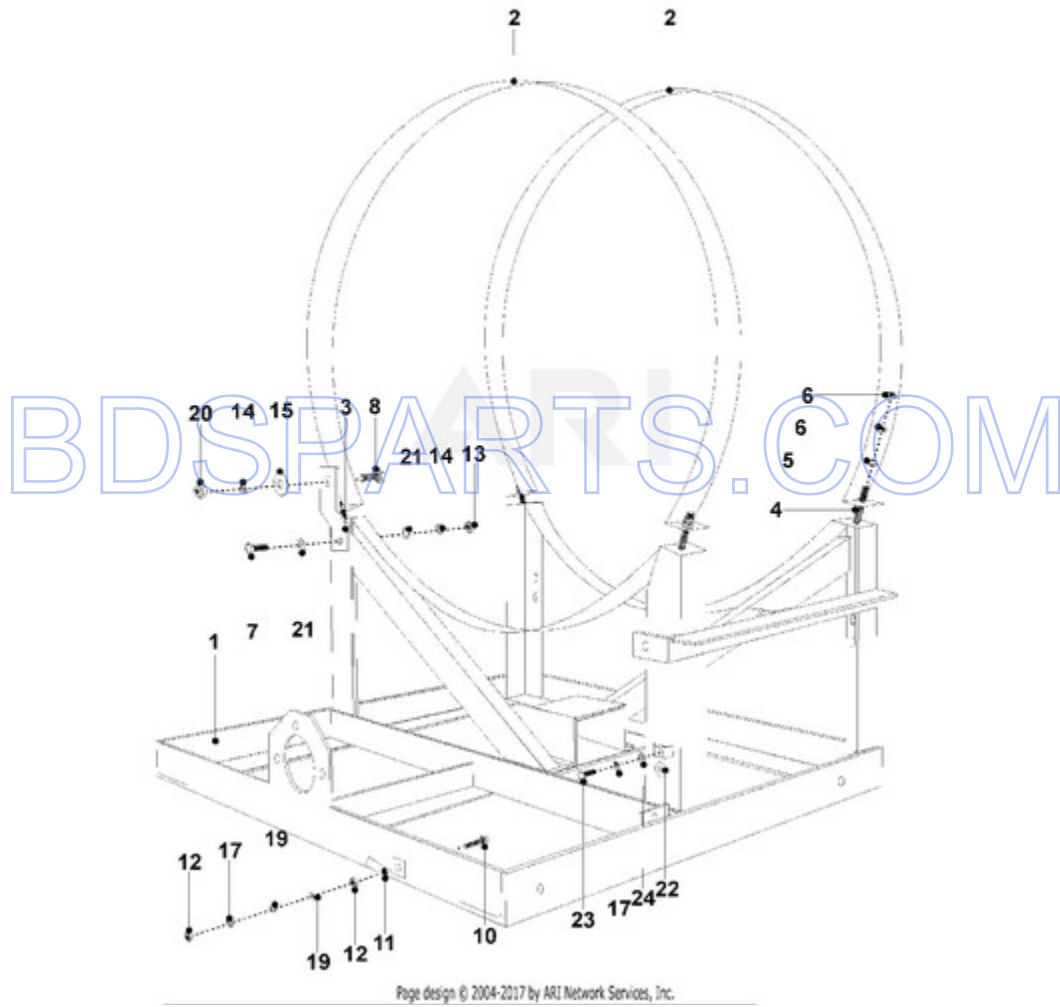
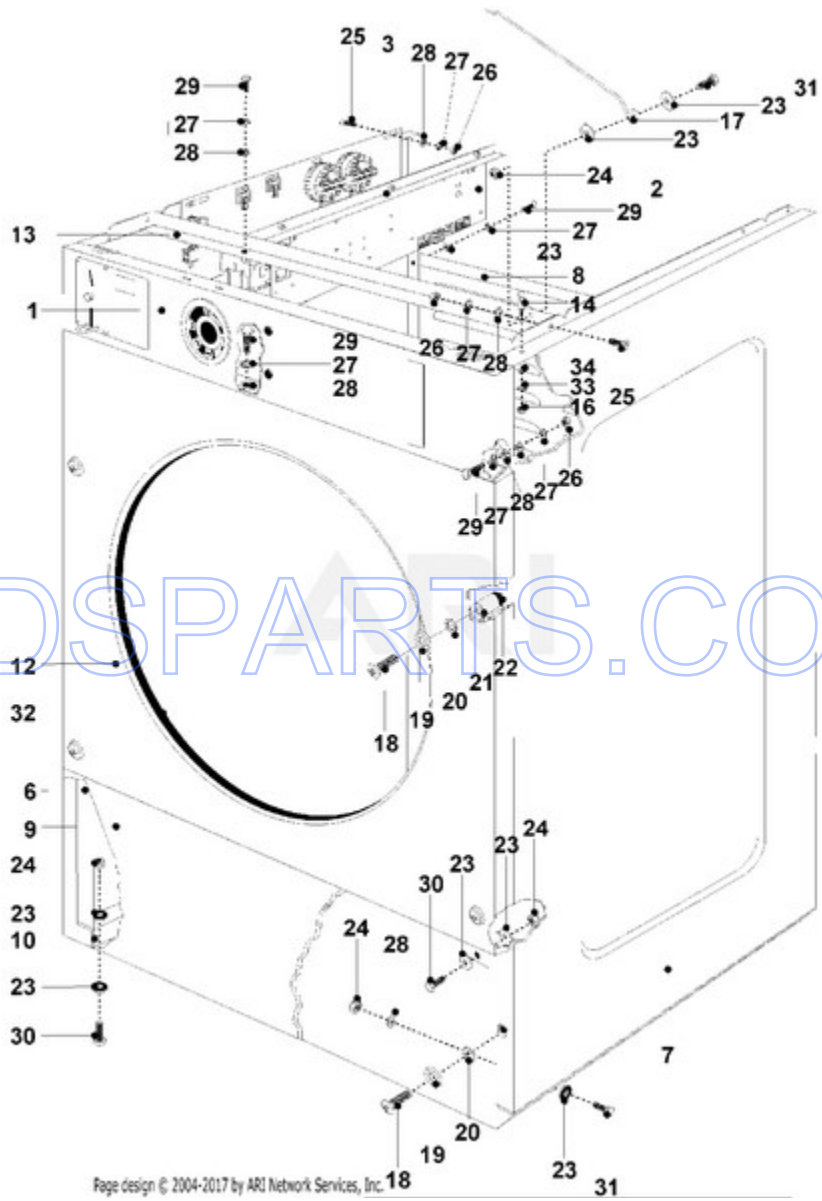


MFR18PDAAS - 01 - BASE FRAME



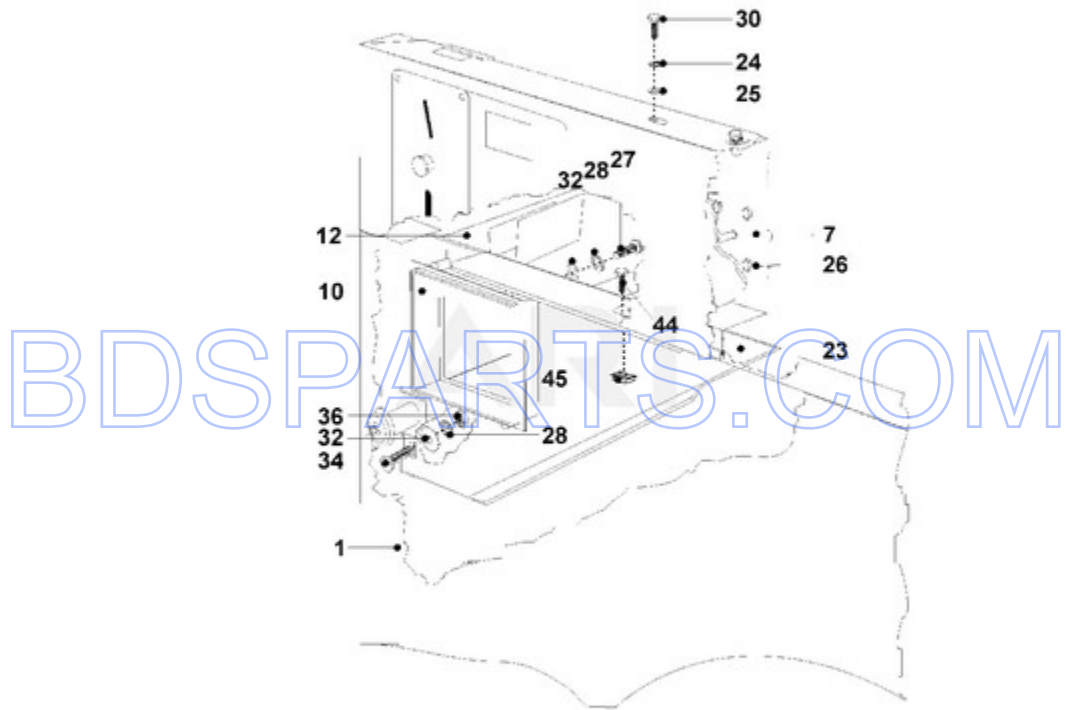
Ref #	Part #	Description	Qty	Context	Note	MSRP
1	23003763	FRAME (MFR18)	1	Series	10	
2	NLA	CLAMP, TUB	2	Series	10	
3	NLA	BRACE, TUB SUPPORT	1	Series	10	
4	23003285	BOLT M10X50	4	Series	10	
5	23002654	WASHER (10)	4	Series	10	
6	23003764	NUT M10	8	Series	10	
7	23003765	BOLT M8X35	1	Series	10	
8	23002847	SCREW (M8X45)	1	Series	10	
10	23002806	SCREW (M6X25)	1	Series	10	
11	23001308	GROUNDING HARDWARE	1	Series	10	
12	23002651	NUT (M6)	1	Series	10	
13	NLA	NUT M8	1	Series	10	
14	23002358	WASHER (M8)	1	Series	10	
15	NLA	WASHER (DIA. 30 X 8.5 X 2.5)	1	Series	10	
17	23002425	WASHER, LOCK	1	Series	10	
19	23003767	WASHER BRASS	2	Series	10	
20	NLA	NUT M8	1	Series	10	
21	23003769	WASHER M8	2	Series	10	
22	NLA	PLATE, INDEX	1	Series	10	
23	23002422	SCREW (M6 X 12)	1	Series	10	
24	23002424	WASHER	1	Series	10	

MFR18PDAAS - 02 - CABINET



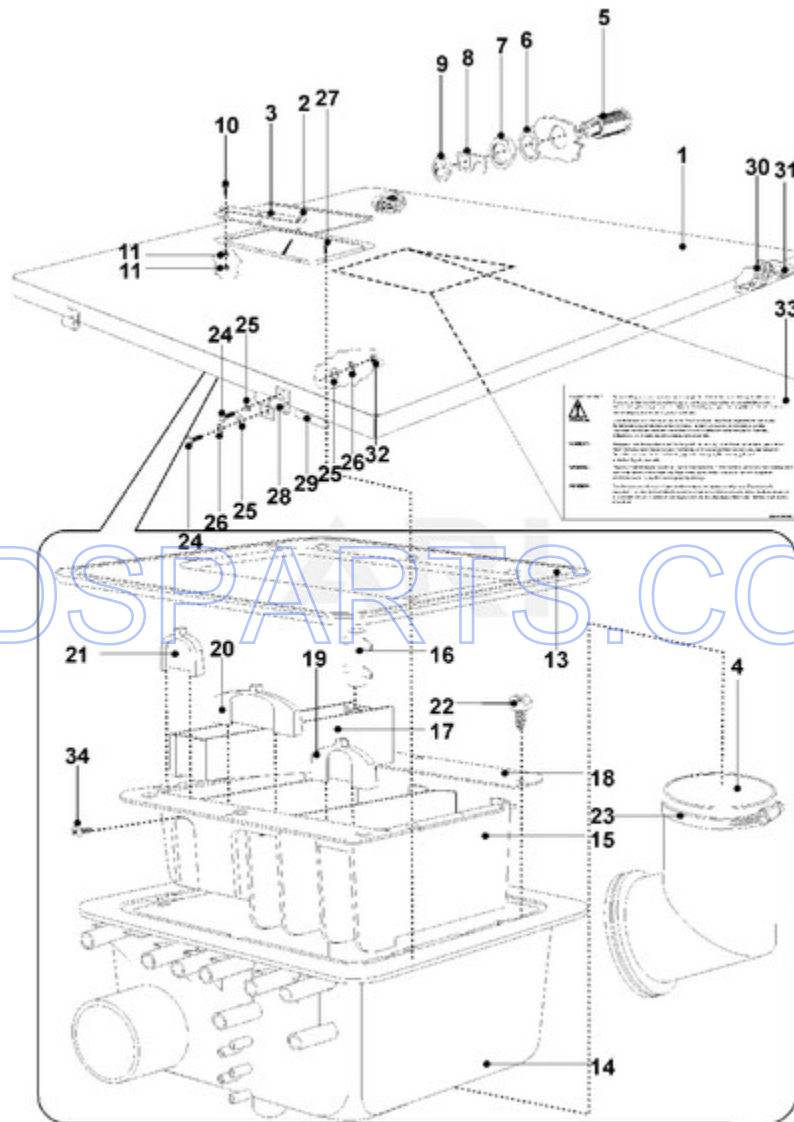
Ref #	Part #	Description	Qty	Context	Note	MSRP
1	NLA	PANEL, CONTROL (W/MKII)	1	Series	10	
2	23003770	HOLDER, CONDENSER	1	Series	10	
3	23003771	HOLDER, ELEC. COMPONENT BOX	1	Series	10	
6	23003291	PANEL, SIDE (LT)	1	Series	10	
7	23003293	PANEL, SIDE (RT)	1	Series	10	
8	23003295	PANEL, REAR	1	Series	10	
9	23001436	PANEL, ACCESS (LWR)	1	Series	10	
10	23003298	SUPPORT, SIDE PANEL	1	Series	10	
12	23003362	PANEL, FRONT	1	Series	10	
13	NLA	HOLDER, COMPONENTS	1	Series	10	
14	23001332	PIN, SRV	4	Series	10	
16	23002466	NUT (M5)	6	Series	10	
17	23001330	SUPPORT ROD, TOP PANEL	2	Series	10	
18	23003772	BOLT M5X50 STNS STL	6	Series	10	
19	23001204	WASHER, FINISHING (DIA. 5)	6	Series	10	
20	23001447	WASHER, FIBER (12 X 6 X 2)	4	Series	10	
21	23002860	TUBE, DISTANCE	1	Series	10	
22	23001448	NUT, RAPID (M5)	4	Series	10	
23	23002469	WASHER	14	Series	10	
24	23002471	NUT	8	Series	10	
25	NLA	BOLT (M6X16)	2	Series	10	
26	23003773	NUT M6	2	Series	10	
27	23002440	WASHER, SPRING LOCK (6)	6	Series	10	
28	23003774	WASHER 12	6	Series	10	
29	23002461	SCREW (M6X16)	4	Series	10	
30	23002462	SCREW (M6 X 20) LU	6	Series	10	
31	23002861	SCREW (M6X25) LU	4	Series	10	
32	23002473	RUBBER, PROTECTIVE	1	Series	10	
33	23002465	WASHER, LOCK	6	Series	10	
34	23002862	WASHER (5,3)	6	Series	10	

MFR18PDAAS - 03 - TIMER AND COIN VAULT



Ref #	Part #	Description	Qty	Context Note	MSRP
1	23003798	FRONT PANEL, 24X25 15/16	1	Series 10	
7	23002880	TIMER, SUPPORT	1	Series 10	
10	23003775	ORNAMENTAL PART COIN VAULT	1	Series 10	
12	23002884	VAULT, COIN (SINGLE) LU	1	Series 10	
12	23003974	VAULT, COIN MFR18/25	1	Series 23	
23	23003776	SUPPORT, COIN VAULT(MFR18)	1	Series 10	
24	23002425	WASHER, LOCK	1	Series 10	
25	23003774	WASHER 12	1	Series 10	
26	23002886	SCREW (M4X4)	1	Series 10	
27	23002423	SCREW (M4X10)	1	Series 10	
28	23002111	WASHER (4)	1	Series 10	
29	23002717	SCREW (M3 X 6)	1	Series 10	
30	23002461	SCREW (M6X16)	1	Series 10	
32	23001545	WASHER	1	Series 10	
34	23001012	SCREW (M4 X 12 STNLS STEEL)	1	Series 10	
36	23003666	NUT (M4)	1	Series 10	
44	NLA	BOLT (M6X16)	1	Series 10	
45	23002455	NUT, RAPID (M6)	1	Series 10	

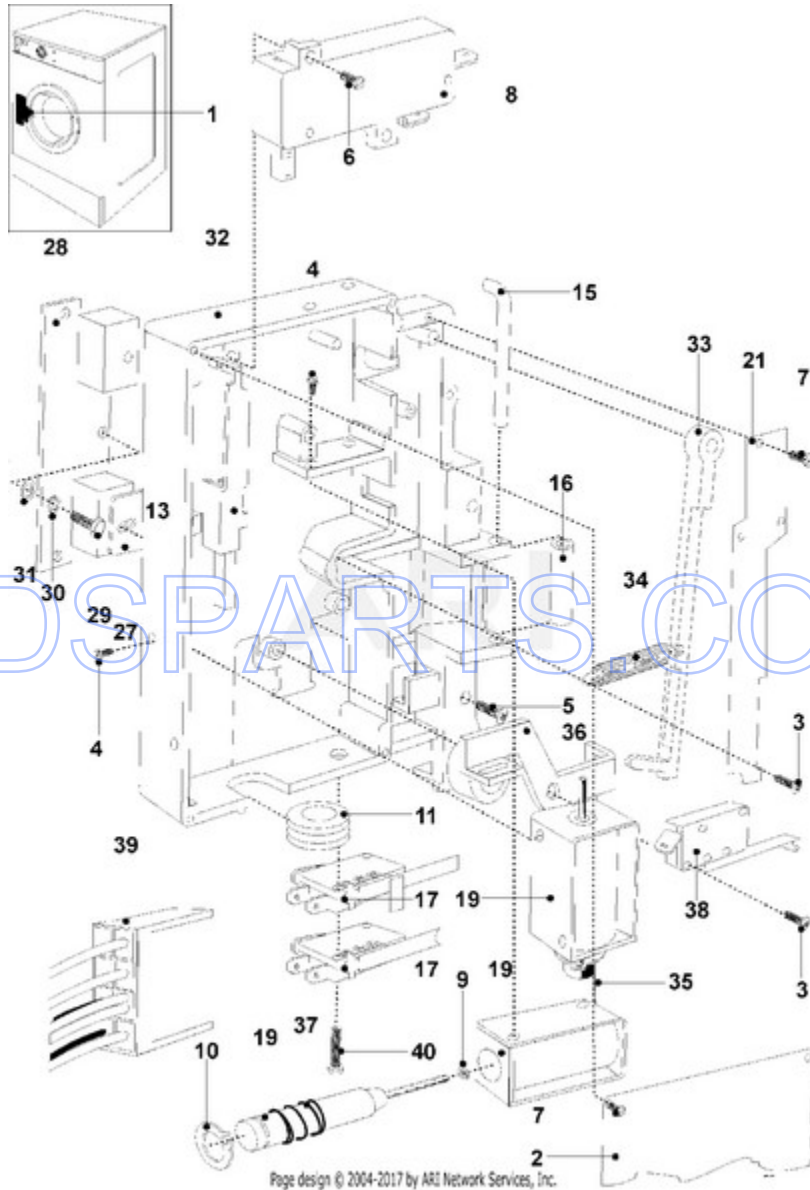
MFR18PDAAS - 04 - TOP COVER AND SOAP BOX



Ref #	Part #	Description	Qty	Context Note	MSRP
1	23003779	COVER W/TWO LOCKS (MFR18)	1	Series 10	
2	23001003	RUBBER COVER, SOAP BOX	1	Series 10	
3	23003781	LACTH, SOAP HOPPER COVER	1	Series 10	
4	23001005	RUBBER HOSE, SOAP BOX	1	Series 10	
5	23001006	LOCK, TOP PANEL	2	Series 10	
6	23001007	WASHER, FIBER	2	Series 10	
7	23001008	LOCK NUT (LARGE)	2	Series 10	
8	23001009	LOCK HOOK (SHORT)	2	Series 10	
9	23001011	NUT	2	Series 10	
10	23001012	SCREW (M4 X 12 STNLS STEEL)	2	Series 10	
11	23002652	NUT (QTY OF 4 = 1 PIECE)	1	Series 10	
13	23001015	RUBBER SEAL, SOAP BOX	1	Series 10	
14	23001016	SOAP BOX HOUSING	1	Series 10	
15	23001017	SOAP BOX INSERT	1	Series 10	
16	23001018	SIPHON	1	Series 10	
17	23001019	TRAY	1	Series 10	
18	23001020	COVER, PLATE	1	Series 10	
19	23001021	DRAWER, PREWASH	1	Series 10	
20	23001022	DRAWER, MAIN WASH	1	Series 10	
21	23001023	DRAWER, LAST RINSE	1	Series 10	
22	23003782	SCREW 3 STAINLESS STEEL LU	3	Series 10	
23	23001025	CLAMP, HOSE (DIA 90/110)	1	Series 10	
24	23002461	SCREW (M6X16)	4	Series 10	
25	23003012	WASHER LU	4	Series 10	
26	23002440	WASHER, SPRING LOCK (6)	4	Series 10	
27	23002894	SCREW (M5X15)	6	Series 10	
28	23001030	HINGE, TOP COVER	2	Series 10	
29	23001031	HINGE SHAFT (10 X 56 BRASS)	2	Series 10	
30	23001032	CLAMP, SRV	2	Series 10	
31	23001033	RIVETS, BLIND (DIA. 3.2 X 8)LU	4	Series 10	
32	23002436	NUT (M6)	4	Series 10	
33	23001550	LABEL, EARTH	1	Series 10	
34	23003783	SCREW 2	4	Series 10	

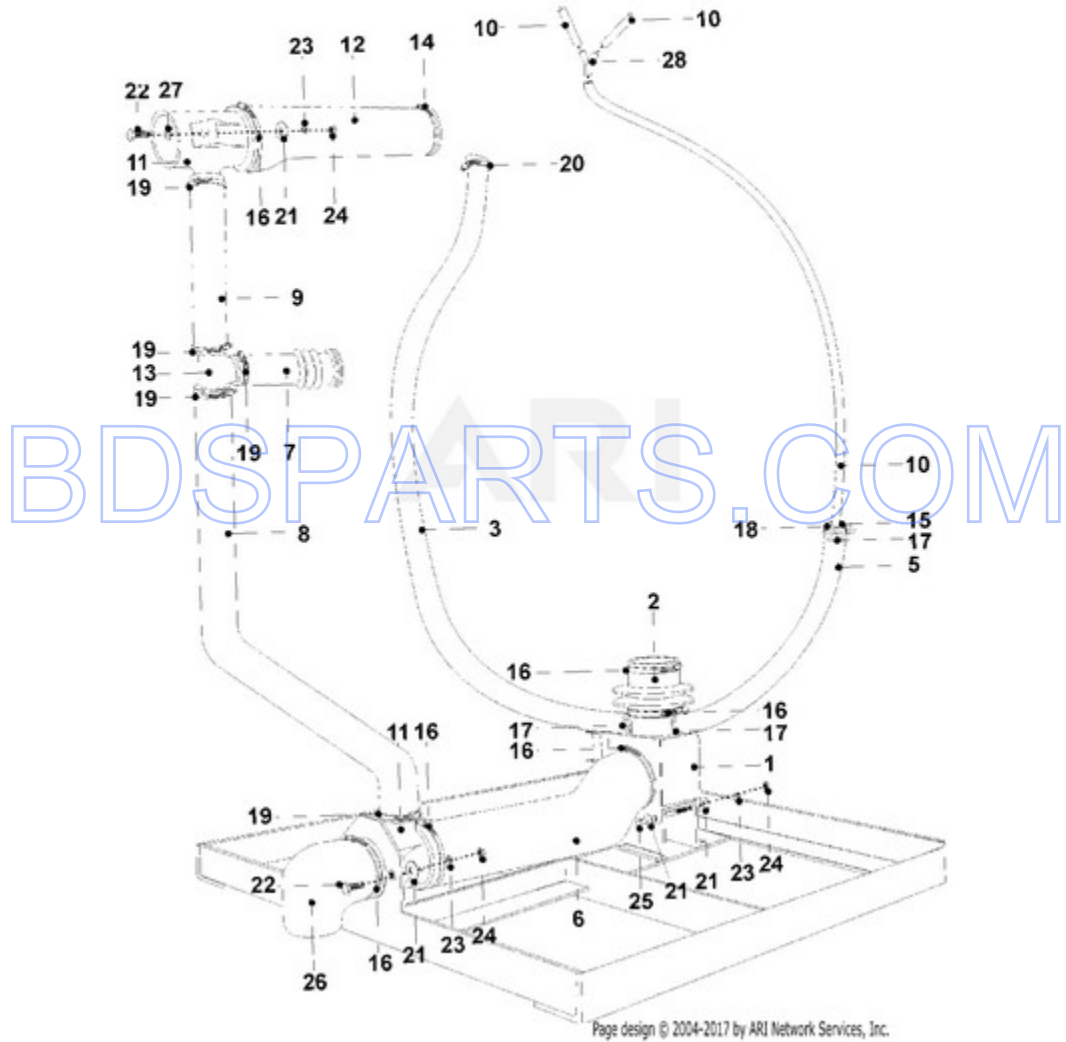


MFR18PDAAS - 05 - DOOR LOCK



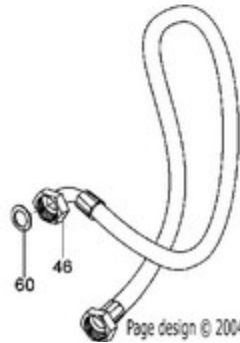
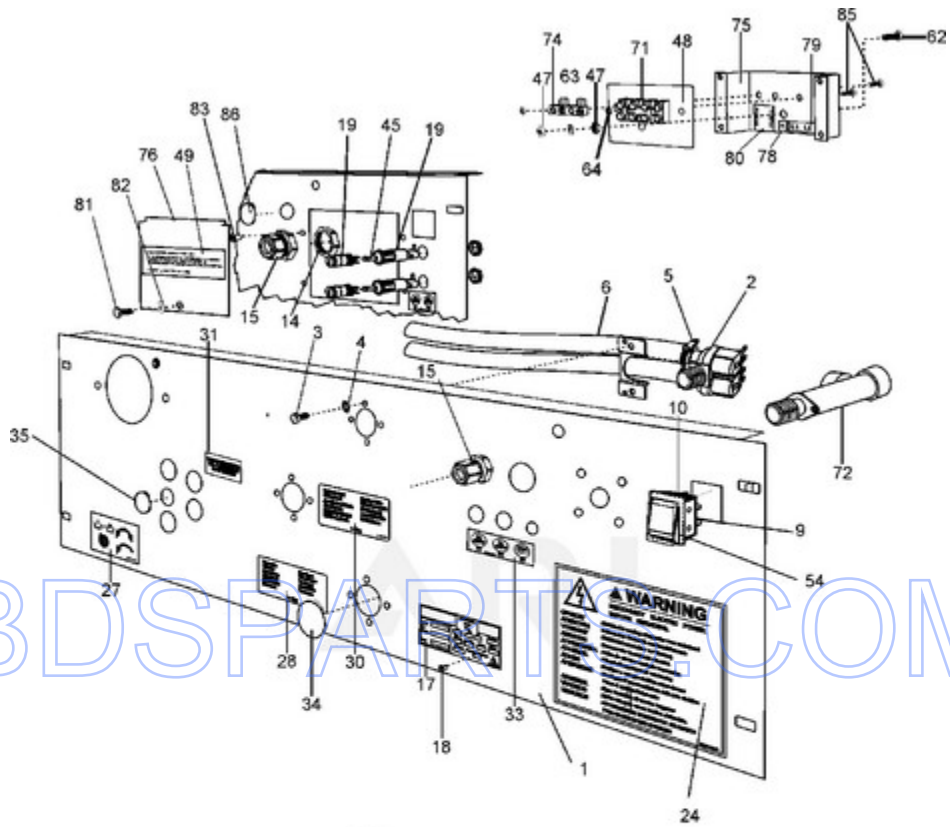
Ref #	Part #	Description	Qty	Context Note	MSRP
1	23003799	LOCK, DOOR 120V (COMPLETE)	1	Series 10	
1	Y23002897	LOCK, DOOR (COMPLETE)	-	Series 10	
2	23001130	PLATE, COVER (STNLS STEEL)	1	Series 10	
3	23003115	SCREW (M3X14)	2	Series 10	
4	23002869	SCREW (M3X6)	2	Series 10	
5	23003784	BOLT M5X25 STS STL	1	Series 10	
6	23003114	SCREW (M4X8) LU	1	Series 10	
7	23003113	SCREW (M3X6)	4	Series 10	
8	23001135	BIMETAL, ACTUATOR (230V)	1	Series 10	
9	23001136	WASHER (DIA. 5.1 X 3.3 X 0.1)	1	Series 10	
10	23001137	RING, RETAINING (G10)	1	Series 10	
11	23001138	BUSHING, CABLE PASSAGE	1	Series 10	
13	23001140	BAR, LOCKING	1	Series 10	
15	23001142	RETAINER, LOCK TUBE (DIA.4X45)	1	Series 10	
16	23001143	LOCK TUBE (DIA. 4X23.5 STNLS)	1	Series 10	
17	23001144	MICROSWITCH, SHORT LEVER	1	Series 10	
19	23001146	COIL (240V)	1	Series 10	
19	23001147	COIL (120V)	1	Series 10	
21	23001149	LEAF SPRING, LATCH BAR	1	Series 10	
27	23001155	SHIM	3	Series 10	
28	23001156	SPACER, LOCK	1	Series 10	
29	23002422	SCREW (M6 X 12)	3	Series 10	
30	23002440	WASHER, SPRING LOCK (6)	3	Series 10	
31	23002424	WASHER	3	Series 10	
32	Y23002898	GROUND, PLATE LOCK	1	Series 10	
33	23002899	HANDLE, LOCKING PART	1	Series 10	
34	23002900	SPRING, LOCKING PART	1	Series 10	
35	23002901	CORD, OPENING	1	Series 10	
36	NLA	LEVEL, OPENING	1	Series 10	
37	23002903	SPRING, LOCKING PART	1	Series 10	
38	23002337	MICROSWITCH W/ ROLLER ARM	1	Series 10	
39	23002904	WIRING, DOOR LOCK	1	Series 10	
39	23002905	WIRING, DOOR LOCK	1	Series 10	
40	23002906	SCREW (M3X25)	1	Series 10	

MFR18PDAAS - 06 - DRAIN AND HOSE ASSY



Ref #	Part #	Description	Qty	Context	Note	MSRP
1	23001244	VALVE, DRAIN (240V-50/60HZ)	-	Series	10	
1	23001402	VALVE, DRAIN (115V 60HZ)	1	Series	10	
2	23002907	TUB, OUTLET VALVE HOSE	1	Series	10	
3	23001549	HOSE, OUTLET (SOAPHOPPER) LU	1	Series	10	
5	23001247	HOSE, AIR DOME (30 CM)	1	Series	10	
6	23001248	HOSE, DRAIN	1	Series	10	
7	23001250	HOSE, AIR VENT	1	Series	10	
8	23001251	HOSE, OVERFLOW	1	Series	10	
9	23001251	HOSE, OVERFLOW	1	Series	10	
10	23001252	HOSE, WATER LEVEL SWITCH	1	Series	10	
11	23001253	DRAIN TEE	1	Series	10	
12	23001254	AIR VENT HOSE, SOAP BOX	1	Series	10	
13	23001255	TEE, OVERFLOW HOSE	1	Series	10	
14	23001256	CLAMP, HOSE (60-80)	1	Series	10	
15	23001257	CLAMP, CORBIN (A5.5)	1	Series	10	
16	23001258	CLAMP, HOSE (70-90)	4	Series	10	
17	23001259	CLAMP, CORBIN (A17.5)	3	Series	10	
18	23001260	BUSHING, AIR DOME HOSE	1	Series	10	
19	23001261	CLAMP, HOSE (32-50)	4	Series	10	
20	23001262	CLAMP, HOSE (20-32)	1	Series	10	
21	23002437	WASHER M8	8	Series	10	
22	23002475	BOLT (M8X20)	4	Series	10	
23	23002439	WASHER, SPRING LOCK (8)	4	Series	10	
24	NLA	NUT M8	4	Series	10	
25	23002908	SCREW (M8X120)	4	Series	10	
26	23002015	ELBOW (90 DEGREE)	1	Series	10	
27	23003769	WASHER M8	1	Series	10	

MFR18PDAAS - 07 - WATER VALVE AND REAR PANEL

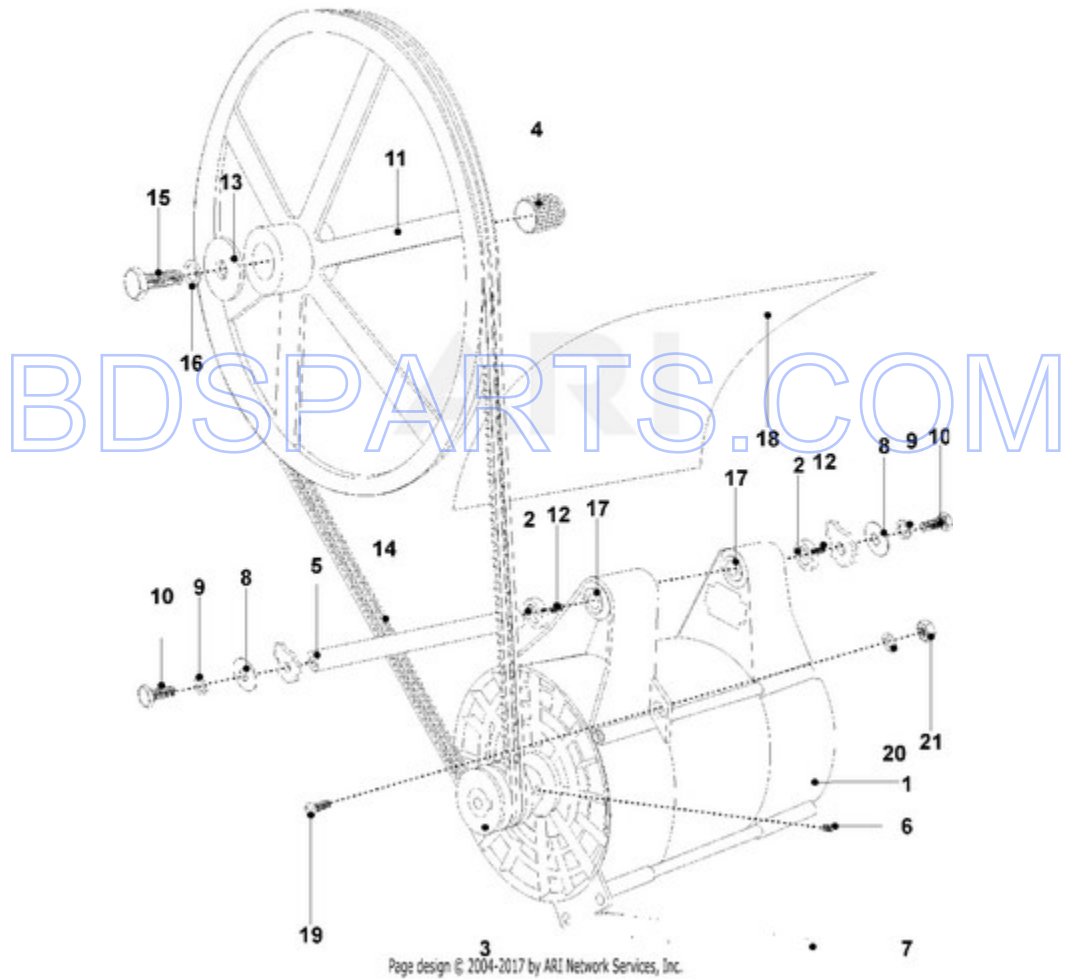


Ref #	Part #	Description	Qty	Context	Note	MSRP
1	23003658	BRIDGE, REAR	1	Series	10	
2	23001455	VALVE, TWO WAY (220V 50/60HZ)	3	Series	10	
2	23001456	VALVE, TWO WAY (115V 60HZ)	3	Series	10	
3	23002423	SCREW (M4X10)	4	Series	10	
4	23002111	WASHER (4)	4	Series	10	
5	23001506	CLAMP, HOSE	21	Series	10	
6	23001507	WATERHOSE (GREEN)	3	Series	10	
9	23001529	BUTTON (RAPID ADVANCE)	1	Series	10	
10	23001452	PLUG (WHT)	1	Series	10	
14	23002197	NUT	3	Series	10	
15	23002196	SWIVEL, CABLE	3	Series	10	
18	23002187	BOLT, FIRING (3.2X7.9)	6	Series	10	
19	23001462	HOLDER, FUSE	2	Series	10	
24	23001465	STICKER, ELECTRICITY WARNING	1	Series	10	
27	23001468	STICKER, SPIN DIRECTION	1	Series	10	
28	23001469	STICKER, HOT WATER	1	Series	10	
30	NLA	STICKER, COLD HARD WATER	1	Series	10	
31	23001509	STICKER, PIPE THREAD	1	Series	10	
33	NLA	STICKER (1A)	1	Series	10	
35	23001476	PLUG, WATER INLET	5	Series	10	
45	23001463	FUSE (2A)	2	Series	10	
45	23001508	FUSE (1A)	2	Series	10	
46	23001523	HOSE, CONNECTION	6	Series	10	
47	23002651	NUT (M6)	4	Series	10	
48	23003800	INSULATION	1	Series	10	
49	NLA	LABEL, TERMINAL	1	Series	10	
54	23001532	COVER, BUTTON (PLASTIC)	1	Series	10	
60	23002921	WASHER, FILL HOSE	1	Series	10	
62	23002806	SCREW (M6X25)	10	Series	10	
63	23002425	WASHER, LOCK	6	Series	10	
64	23003666	NUT (M4)	6	Series	10	
71	23002923	BOARD, TERMINAL	1	Series	10	
72	23002924	T-PART (3/4)	1	Series	10	
74	23002154	BOARD, TERMINAL (6 POLES)	6	Series	10	
75	23003803	BOX, TERMINAL	1	Series	10	
76	23003661	TERMINAL COVER LU	1	Series	10	
78	NLA	LABEL, TERMINAL	1	Series	10	
79	23003801	PHASE STICKER	1	Series	10	
80	23003802	SUPPLY LABEL	1	Series	10	

<b>Ref #</b>	<b>Part #</b>	<b>Description</b>	<b>Qty</b>	<b>Context Note</b>	<b>MSRP</b>
81	23002422	SCREW (M6 X 12)	8	Series 10	
82	23002424	WASHER	8	Series 10	
83	23001033	RIVETS, BLIND (DIA. 3.2 X 8)LU	4	Series 10	
85	NLA	SCREW (M4 X 20)	6	Series 10	
86	23003785	PLUG	2	Series 10	

BDSPARTS.COM

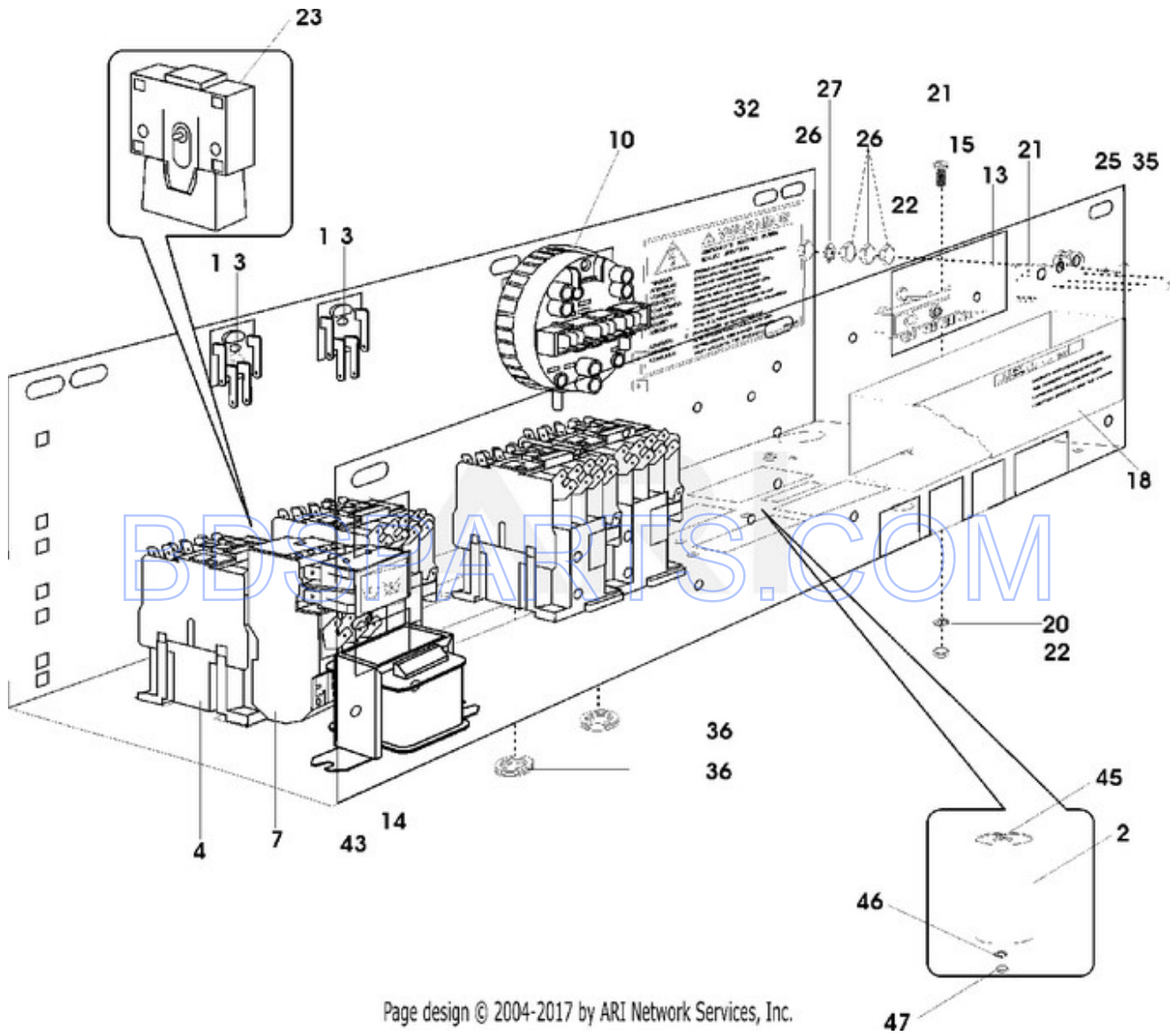
MFR18PDAAS - 08 - MOTOR AND BASKET PULLEY





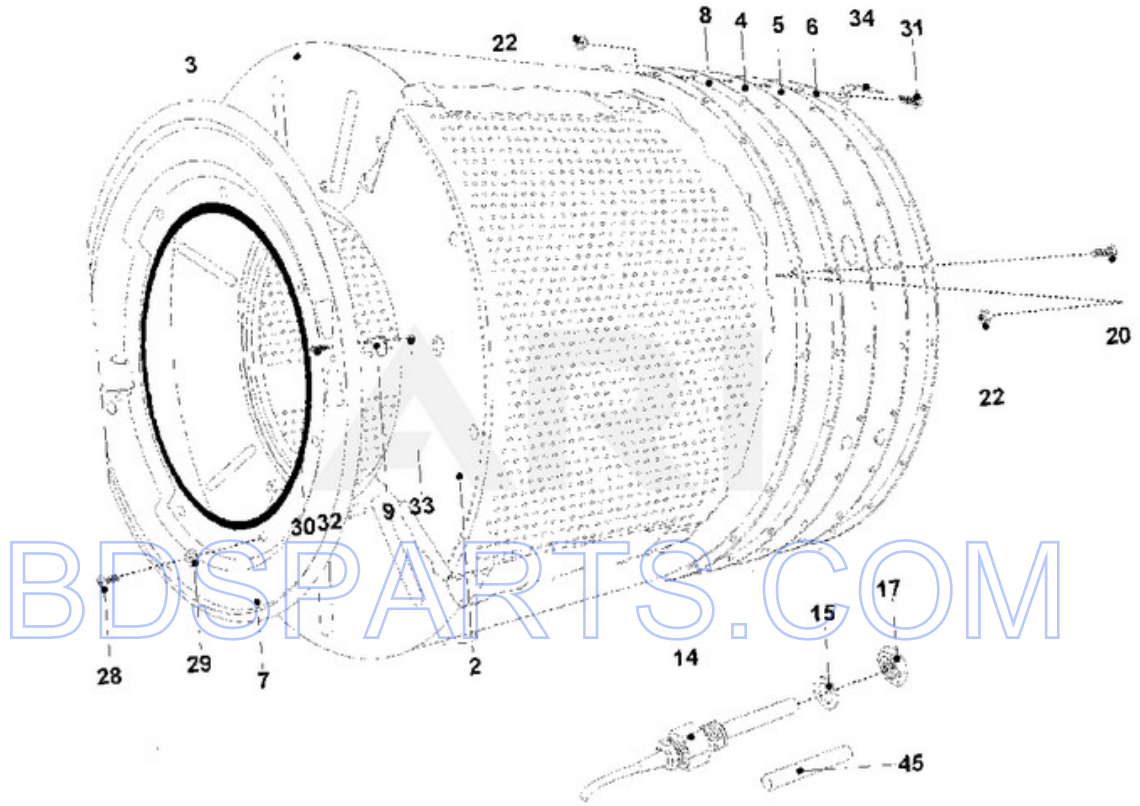
Ref #	Part #	Description	Qty	Context Note	MSRP
1	23001403	MOTOR (THREE PHASE-240/208V)	-	Series 10	
1	23001405	MOTOR (SINGLE PHASE 115V)	1	Series 10	
2	23003329	RING, SLIDING	2	Series 10	
3	23001409	V-PULLEY (DIA. 53 60HZ)	1	Series 10	
4	23001410	RING, TOLERANCE (DIA. 28)	1	Series 10	
5	23003330	SHAFT, MOTOR	1	Series 10	
6	23002929	SCREW, SOCKET SET (M8X10)	1	Series 10	
7	23001413	MOTOR, SPRING	1	Series 10	
8	23003788	WASHER	2	Series 10	
9	23002654	WASHER (10)	2	Series 10	
10	23001905	BOLT M10X25	2	Series 10	
11	23001415	PULLEY, BASKET	1	Series 10	
12	23003267	SCREW (M5X6)	2	Series 10	
13	23001282	WASHER (DIA. 37 X 13 X 3)	1	Series 10	
14	23001417	V-BELT (10 X 1575)	2	Series 10	
15	23003332	BOLT (M12-1.75 X 25)	1	Series 10	
16	23002658	WASHER (12)	1	Series 10	
17	23001420	MOTOR, SUSPENSION RUBBER	2	Series 10	
18	NLA	COVER, PLASTIC	1	Series 10	
19	23002718	SCREW (M3 X 16)	1	Series 10	
20	NLA	LOCKWASHER (M3)	1	Series 10	
21	23002958	NUT M3	1	Series 10	

MFR18PDAAS - 09 - MAIN CONTROL



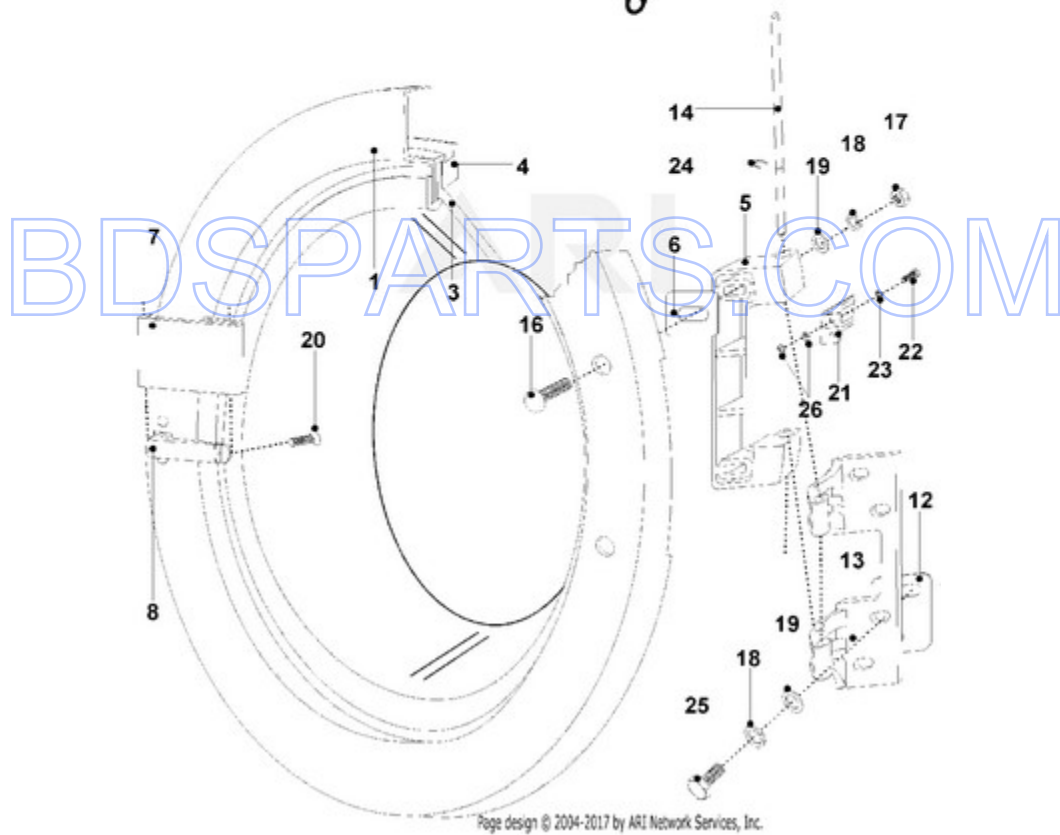
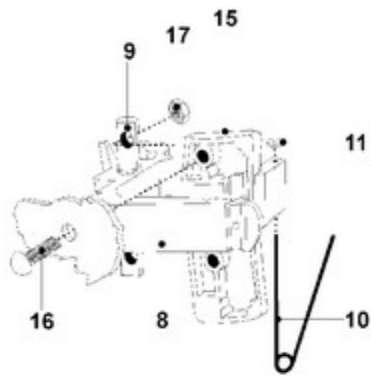
Ref #	Part #	Description	Qty	Context	Note	MSRP
1	23001094	BRIDGE, RECTIFIER	1	Series	10	
2	23001096	CAPACITOR (60MF)	1	Series	10	
2	23001357	CAPACITOR (25MF)	1	Series	10	
3	23001099	PC BOARD SOCKET	1	Series	10	
4	23001100	CONTACTOR (LC1-D0901 M7)	-	Series	10	
4	23001101	CONTACTOR (LC1-D1201 M7)	-	Series	10	
4	23001547	CONTACTOR	2	Series	10	
4	23003671	CONTACTOR (LC1-D0901F6)	1	Series	10	
4	23003750	CONTACTOR LC1 DO9	-	Series	21	
4	23003751	CONTACTOR LC1 D12	-	Series	21	
4	23003804	CONTACTOR, D09 115V	1	Series	21	
4	23003805	CONTACTOR, D12 115V	2	Series	21	
7	23001106	RELAY, THERMAL OVERLOAD (4-6A)	1	Series	10	
7	23002101	RELAY, OVERLOAD (LR2-D1312)	-	Series	10	
7	23003756	OVERLOAD RELAY 4-6A	1	Series	21	
7	23003757	OVERLOAD RELAY 5.5-8A	-	Series	21	
10	23001513	SWITCH, WATER LEVEL	1	Series	10	
10	23003748	SWITCH, WATER LEVEL	1	Series	20	
13	23002154	BOARD, TERMINAL (6 POLES)	1	Series	10	
14	23001114	ROCKER SWITCH, PREWASH/NO PREW	1	Series	10	
15	23001115	INSULATION PAPER	1	Series	10	
18	23001118	STICKER, LIQUID SOAP	1	Series	10	
20	23002111	WASHER (4)	1	Series	10	
21	23002398	SCREW (M4X16)	3	Series	10	
22	23003666	NUT (M4)	1	Series	10	
23	23003762	MECHANICAL INTERLOCK	1	Series	10	
25	23002806	SCREW (M6X25)	3	Series	10	
26	23002651	NUT (M6)	18	Series	10	
27	23002425	WASHER, LOCK	6	Series	10	
32	23001465	STICKER, ELECTRICITY WARNING	1	Series	10	
35	23002505	PLATE, EARTH	1	Series	10	
36	23001138	BUSHING, CABLE PASSAGE	2	Series	10	
43	23003667	TRANSFORMER,CONTROL BOARD(240V	-	Series	10	
43	23003709	TRANSFORMER,CONTROL BOARD-120V	1	Series	10	
45	23003668	RESISTOR	1	Series	10	
46	23003675	WASHER (M12)	1	Series	10	
47	NLA	NUT (M12)	1	Series	10	

MFR18PDAAS - 10 - BASKET AND OUTER SHELL



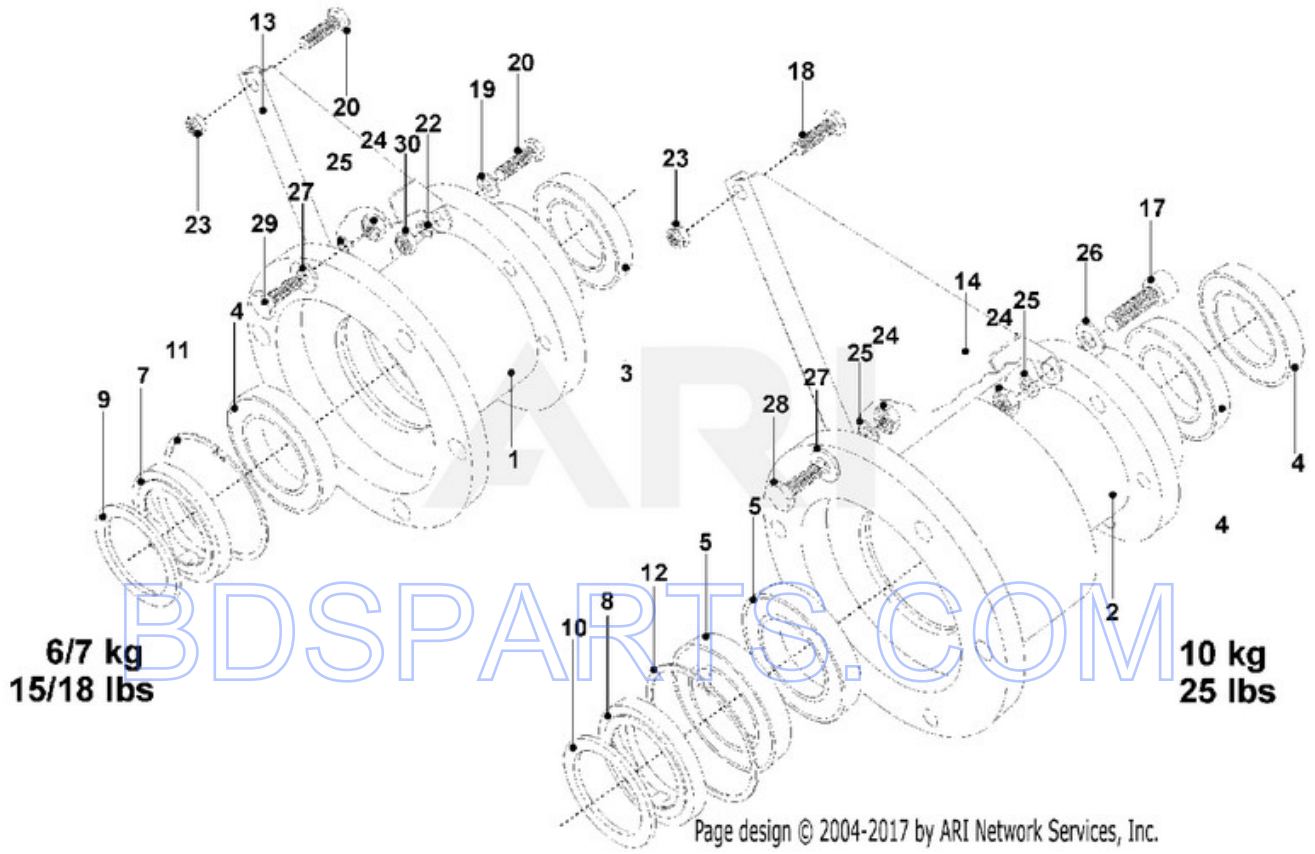
Ref #	Part #	Description	Qty	Context	Note	MSRP
2	23003335	DRUM/SHAFT	1	Series	10	
2	23003747	DRUM/SHAFT	1	Series	20	
3	23003806	TUB (ROUND DOOR) (MFR18)	1	Series	10	
4	23003790	PLATE BASE WITHOUT/HOLES	1	Series	10	
5	23001383	PLATE, BACK (IRON)	1	Series	10	
6	NLA	RING	1	Series	10	
7	NLA	SHIELD	1	Series	10	
8	23001387	GASKET, SHELL (REAR)	1	Series	10	
9	23001200	HINGE, MIRCO SWITCH	1	Series	10	
14	23003807	HOLDER THERMOSTAT SENSOR	1	Series	10	
15	23002179	WASHER	1	Series	10	
17	23002936	NUT, SENSOR BUSHING	1	Series	10	
20	23002646	SCREW (M8X40)	1	Series	10	
22	23001607	NUT (M8)	1	Series	10	
28	23002617	SCREW (M4X8)	1	Series	10	
29	23001204	WASHER, FINISHING (DIA. 5)	1	Series	10	
30	23002473	RUBBER, PROTECTIVE	1	Series	10	
31	23003765	BOLT M8X35	1	Series	10	
32	23002398	SCREW (M4X16)	1	Series	10	
33	23003666	NUT (M4)	1	Series	10	
34	23003791	PLATE,MOTOR WIRING FIXATION	1	Series	10	
37	23003792	PLUG 6 DIAM.	-	Series	10	

MFR18PDAAS - 11 - DOOR



Ref #	Part #	Description	Qty	Context	Note	MSRP
1	23001363	RING, DOOR	1	Series	10	
3	23001364	GLASS, DOOR	1	Series	10	
4	23001365	RUBBER, DOOR GLASS	1	Series	10	
5	23001366	PLATE, HINGE	1	Series	10	
6	23001166	SHIM, HINGE PLATE	1	Series	10	
7	23003700	HANDLE, DOOR ASSEMBLY	1	Series	10	
8	23003633	LEVER, DOOR	1	Series	10	
9	23001168	SHAFT, LEVER	1	Series	10	
10	23001169	SPRING, HANDLE LEVER	1	Series	10	
11	23002499	WASHER	1	Series	10	
12	23001368	SHIM, HINGE BASE	1	Series	10	
13	23001369	PIN, DOOR LOCK	1	Series	10	
14	23001172	SHAFT, DOOR HINGE	1	Series	10	
15	23001370	HANDLE, LEVER PLATE	1	Series	10	
16	23001175	SCREW (M6X20 STAINLESS STEEL)	1	Series	10	
17	23002280	NUT M6	3	Series	10	
18	23002130	WASHER (6)	6	Series	10	
19	23002424	WASHER	6	Series	10	
21	23001373	MICROSWITCH, ACTIVATING PLATE	1	Series	10	
22	23001781	BOLT (M4X10)	1	Series	10	
23	23002111	WASHER (4)	1	Series	10	
24	23001181	RETAINING RING (DIA. 8)	1	Series	10	
25	23002279	BOLT (M6X20)	2	Series	10	
26	23003794	WASHER	2	Series	10	

MFR18PDAAS - 12 - TRUNNION AND BEARING

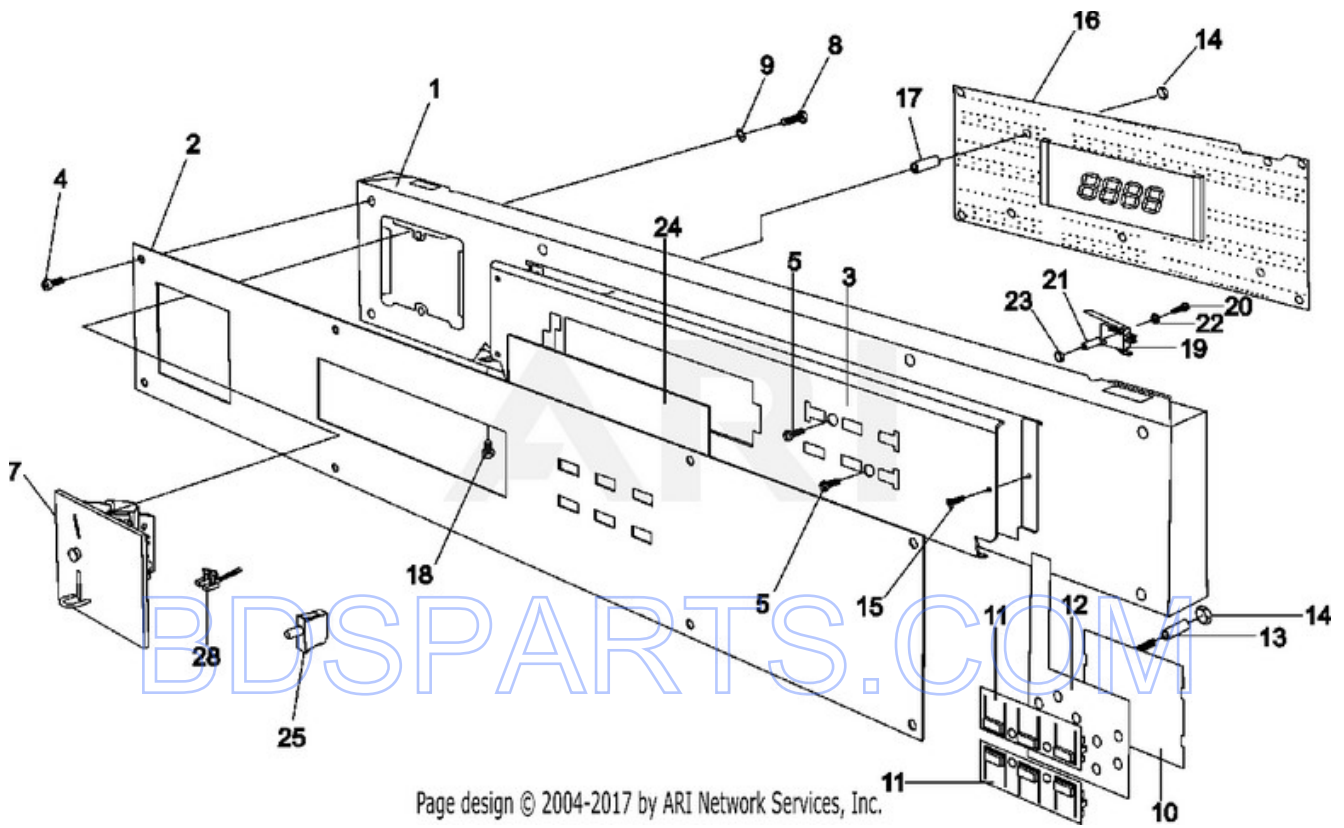




Ref #	Part #	Description	Qty	Context	Note	MSRP
1	23003795	TRUNNION (CASTING ONLY)	1	Series	10	
3	23001391	BEARING (REAR)	1	Series	10	
4	23001232	BEARING (REAR)	1	Series	10	
7	23001393	SEAL, WATER	1	Series	10	
9	23001395	RING, SEAL	1	Series	10	
11	23001396	SNAP RING, INTERNAL LU	1	Series	10	
13	23003368	SPOKE	1	Series	10	
19	23002437	WASHER M8	8	Series	10	
20	23003765	BOLT M8X35	9	Series	10	
22	23002439	WASHER, SPRING LOCK (8)	8	Series	10	
23	23001607	NUT (M8)	9	Series	10	
24	23003764	NUT M10	6	Series	10	
25	23002654	WASHER (10)	6	Series	10	
27	23001201	WASHER (DIA. 22X11X1 BRASS)	6	Series	10	
29	23003354	BOLT (M10X25)	6	Series	10	
30	NLA	NUT M8	8	Series	10	

BDSPARTS.COM

MFR18PDAAS - 13 - CONTROL PANEL



Ref #	Part #	Description	Qty	Context Note	MSRP
1	23003636	PANEL, CONTROL (18/25)	1	Series 10	
1	23003723	CONTROL PANEL	1	Series 18	
2	23003721	FACIA, CONTROL PANEL MFR18	1	Series 18	
2	23003813	FACIA, MFR18	1	Series 10	
3	23003809	PROGRAM, HOLDER	1	Series 10	
4	23003810	SCREW	4	Series 10	
5	23001372	SCREW (M4 X 8 STNLS STEEL)	2	Series 10	
7	23003644	COIN DROP	1	Series 10	
8	23002465	WASHER, LOCK	2	Series 10	
9	23003797	BOLT	2	Series 10	
10	23003645	HOLDER	1	Series 10	
11	23003646	BUTTONS, ROW OF 3	2	Series 10	
12	23003647	SWITCH, MEMBRANE	1	Series 10	
13	23003648	TUBE	2	Series 10	
14	23003649	LOCKNUT, WASHERED	2	Series 10	
15	23003811	SCREW	4	Series 10	
16	23003705	CONTROL BOARD	1	Series 10	
16	23003735	CONTROL BOARD	1	Series 19	
17	23003651	TUBE	4	Series 10	
19	23001145	MICROSWITCH, LONG LEVER	1	Series 10	
20	23003652	SCREW, SWITCH	2	Series 10	
21	23003653	TUBE	2	Series 10	
22	23003654	WASHER (M3)	2	Series 10	
23	23002958	NUT M3	2	Series 10	
24	23003655	COVER, DISPLAY LU	1	Series 10	
25	23003656	SWITCH, COIN BOX	1	Series 10	
26	23003657	SENSOR, OPTIC	1	Series 10	