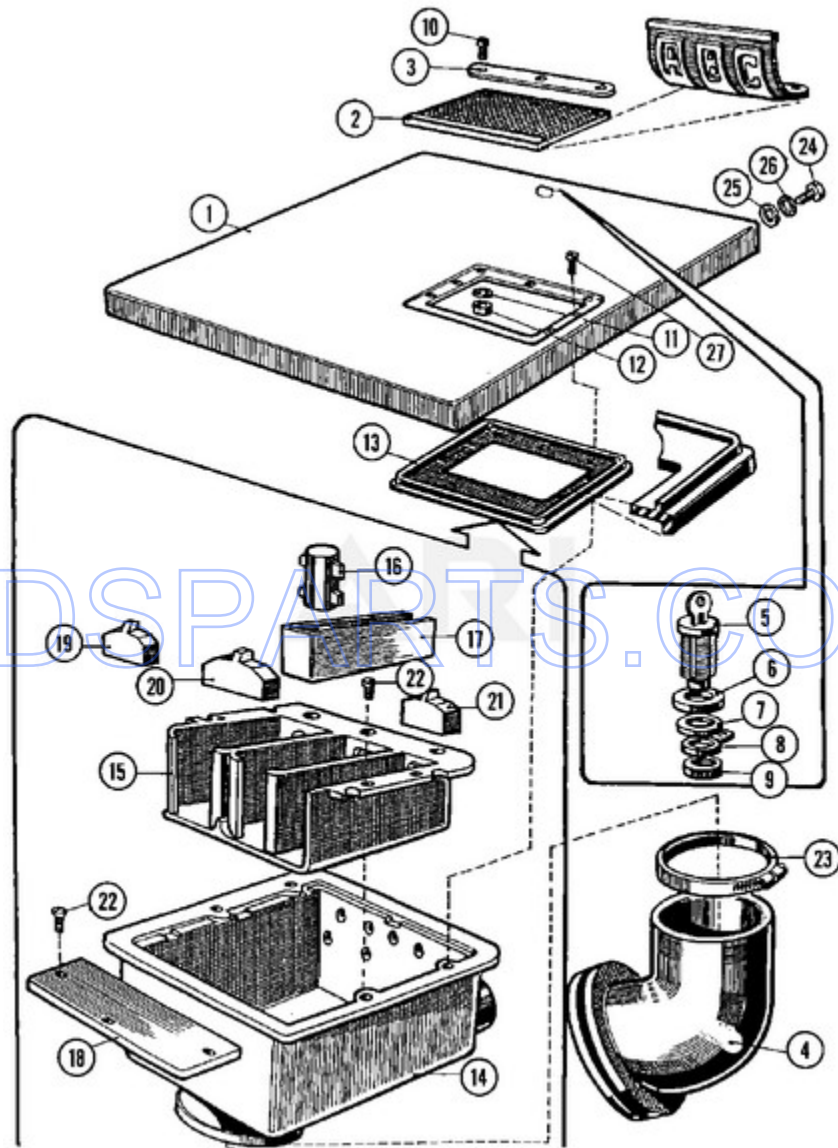


MFR25MCATS - 01 - SOAP BOX & TOP COVER ASSY. (SERIES 10)



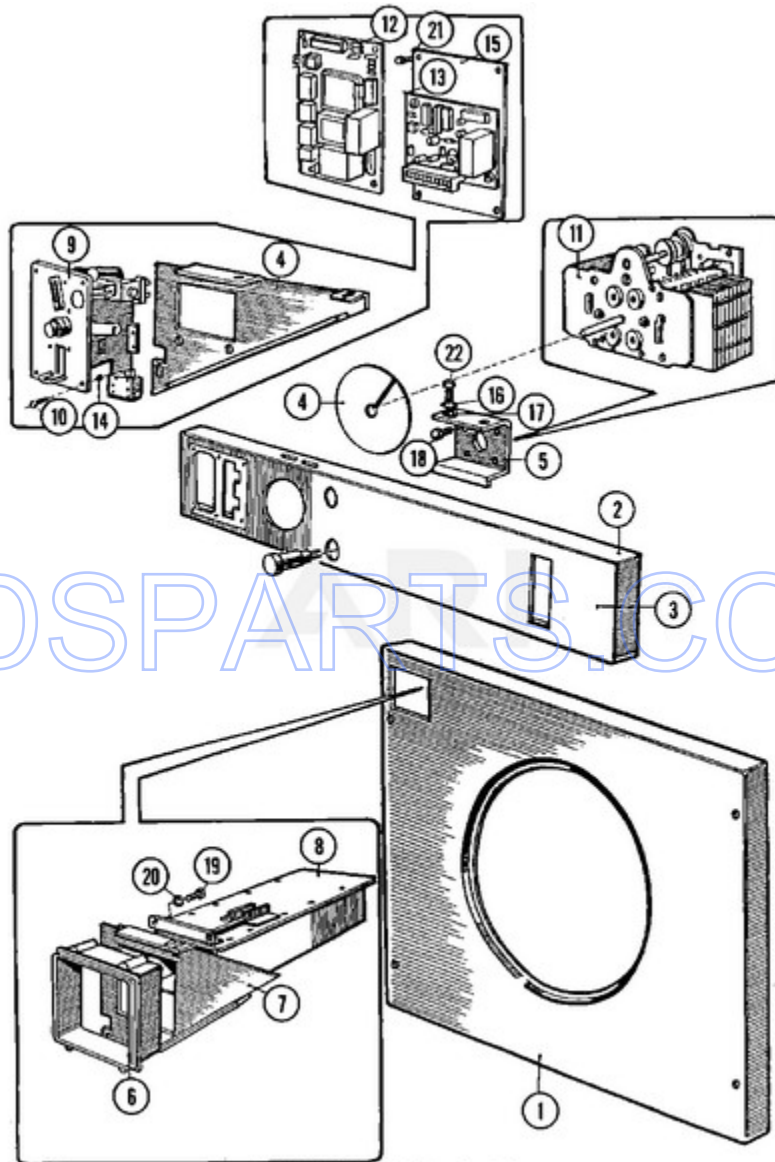
BDS PARTS.COM

Ref #	Part #	Description	Qty	Context	Note	MSRP
1	NLA	COVER, TOP (STNLS)	1	Series	10	
2	23001003	RUBBER COVER, SOAP BOX	1	Series	10	
3	23001004	CLAMP, SOAP BOX COVER	1	Series	10	
4	23001005	RUBBER HOSE, SOAP BOX	1	Series	10	
5	23001006	LOCK, TOP PANEL	1	Series	10	
6	23001007	WASHER, FIBER	1	Series	10	
7	23001008	NUT, LOCK (LARGE)	1	Series	10	
8	23001009	HOOK, LOCK (SHORT)	1	Series	10	
9	23001011	NUT	1	Series	10	
10	23001012	SCREW (M4 X 12 STNLS STEEL)	1	Series	10	
11	23001013	SPRING, LOCKWASHER (M4)	1	Series	10	
12	23001014	NUT M4	1	Series	10	
13	23001015	RUBBER SEAL, SOAP BOX	1	Series	10	
14	23001016	HOUSING, SOAP BOX	1	Series	10	
15	23001017	INSERT, SOAP BOX	1	Series	10	
16	23001018	SIPHON	1	Series	10	
17	23001019	TRAY	1	Series	10	
18	23001020	COVER, PLATE	1	Series	10	
19	23001021	DRAWER, PREWASH	1	Series	10	
19	23001550	LABEL, EARTH	1	Series	10	
20	23001022	DRAWER, MAIN WASH	1	Series	10	
21	23001023	DRAWER, LAST RINSE	1	Series	10	
22	23001024	SCREW (DIA. 3.5 X 9.5 STNLS)	1	Series	10	
23	23001025	CLAMP, HOSE (DIA 90/110)	1	Series	10	
24	23001026	BOLT (M6 X 16)	1	Series	10	
25	23001027	WASHER (DIA. 12 X 6.5 X 1.6)	1	Series	10	
26	23001028	LOCKWASHER (EXTERNAL TEETH M6)	1	Series	10	
27	23001029	SCREW (M5 X 15PK STNLS STEEL)	1	Series	10	
28	23002318	SCREW, PAN HEAD (SLOTTED)	1	Series	10	



Ref #	Part #	Description	Qty	Context Note	MSRP
1	NLA	PLATE, BACK-UP (COIN METER)	1	Series 10	
2	NLA	PANEL, CONTROL	1	Series 10	
3	23001041	INSERT PLATE, COIN COUNTER	1	Series 10	
4	23001042	SELECTOR SWITCH, PROGRAM	1	Series 10	
5	23001043	DISC, INDICATOR (ENGLISH)	1	Series 10	
6	23001044	DISC, ORNAMENTAL RING INDIC.	1	Series 10	
7	23001046	LAMP, INDICATOR	1	Series 10	
8	23001049	LENS, TRANSPARENT RED	1	Series 10	
8	NLA	LENS, ALUMINIUM	1	Series 10	
9	NLA	PLATE, MOUNTING	1	Series 10	
10	23001053	NUT (M3)	1	Series 10	
11	23001054	WASHER, LOCKING	1	Series 10	
12	23001055	NUT (M4)	1	Series 10	
13	23001056	WASHER (4.3)	1	Series 10	
14	23001057	SPEEDNUT (M3)	1	Series 10	
15	23001058	TUBE, DISTANCE	1	Series 10	
16	NLA	LOCKWASHER (M4)	1	Series 10	
17	23002325	WASHER	1	Series 10	
18	23001038	CONVERSION KIT (MC TO MN)	1	Series 10	
18	23002334	MC TO MN CONVERS.(CSA)	1	Series 11	

MFR25MCATS - 03 - TIMER & COIN ASSEMBLY (SERIES 10)



BDSPARTS.COM

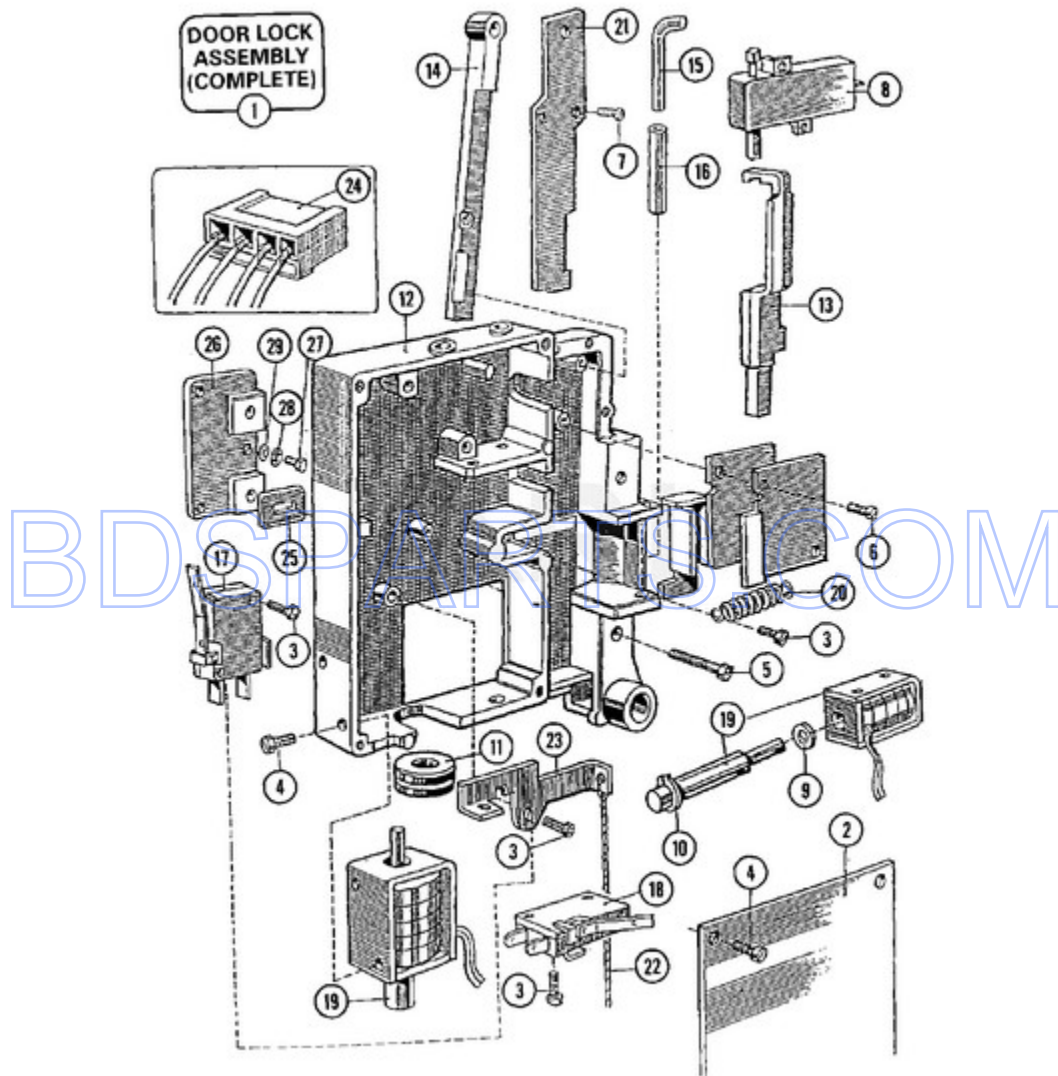
Ref #	Part #	Description	Qty	Context	Note	MSRP
1	23001347	FRONT PANEL, 26X27 1/2	1	Series	10	
2	NLA	PLATE, BACK-UP (COIN METER)	1	Series	10	
3	NLA	PANEL, CONTROL	-	Series	10	
4	23001060	INDICATOR DISC, TIMER	1	Series	10	
5	23001061	TIMER, SUPPORT	1	Series	10	
6	23001062	COLLAR, COIN VAULT	1	Series	10	
7	NLA	VAULT, SUPPORT COIN	1	Series	10	
8	23001349	VAULT, COIN	1	Series	10	
9	23001063	METER, COIN (25 CENTS-240V)	-	Series	10	
9	23001350	METER, COIN (25 CENTS-115V)	1	Series	10	
10	23001064	SCREW, ORNAMENTAL (M3 X 10)	1	Series	10	
11	23001065	TIMER (PR 6023 230V)	-	Series	10	
11	23001351	TIMER (PR 6023-115V)	1	Series	10	
11	23002203	MOTOR, TIMER (230V-SMALL)	-	Series	10	
11	23002204	MOTOR, TIMER (230V-LARGE)	-	Series	10	
12	23001066	COUNTER, COIN (W/LED DISPLAY)	1	Series	10	
12	23001693	MEMORY	1	Series	10	
13	23001068	RELAY, START	1	Series	10	
13	W10124350	NOT REQUIRED PART OR SEE NOTE	1	Series	10	
14	23001053	NUT (M3)	1	Series	10	
15	NLA	MOUNTING PLATE, START RELAY	1	Series	10	
16	23001028	LOCKWASHER (EXTERNAL TEETH M6)	1	Series	10	
17	23001027	WASHER (DIA. 12 X 6.5 X 1.6)	1	Series	10	
18	23001069	BOLT (M4X4)	1	Series	10	
19	23001070	SCREW (M4X10)	1	Series	10	
20	23001013	LOCKWASHER (EXTERNAL TEETH M4)	1	Series	10	
21	23001052	SCREW (M3 X 6 CROSS RECESSED)	1	Series	10	
22	23001026	BOLT (M6 X 16)	1	Series	10	
23	23001038	CONVERSION KIT (MC TO MN)	1	Series	10	
23	23002195	PC-PN CONVERSION KIT	-	Series	10	
23	23002333	PC TO PN CONVERSION (CSA)	-	Series	10	
23	23002334	MC TO MN CONVERS.(CSA)	1	Series	10	



Ref #	Part #	Description	Qty	Context	Note	MSRP
1	23001094	BRIDGE, RECTIFIER	1	Series	10	
2	23001095	CAPACITOR (80MF)	1	Series	10	
2	23001358	CAPACITOR (30MF)	1	Series	10	
3	23001099	SOCKET, PC BOARD	1	Series	10	
4	23001100	CONTACTOR (LC1-D0901 M7)	1	Series	10	
4	23001101	CONTACTOR (LC1-D1201 M7)	1	Series	10	
5	23001106	RELAY, THERMAL OVERLOAD (4-6A)	1	Series	10	
5	23001107	RELAY, THERMAL OVRLOAD(12-18A)	-	Series	10	
6	23001109	HOUSING, CONNECTOR (8 POLE)	1	Series	10	
7	23001110	TIMER, REVERSING (PR1840)	1	Series	10	
8	23001360	SWITCH, WATER LEVEL	1	Series	10	
8	23001513	SWITCH, WATER LEVEL	-	Series	10	
9	23001112	HOUSING, CONNECTOR (6 POLE)	1	Series	10	
10	23001113	HOUSING, CONNECTOR (4 POLE)	1	Series	10	
11	23001114	SWITCH, ROCKER (PREWASH)	1	Series	10	
12	23001115	PAPER, INSULATION	1	Series	10	
13	23001116	HOUSING, CONNECTOR (4 POLE)	1	Series	10	
14	23001117	RING, RUBBER (DIA. 25)	1	Series	10	
15	23001118	STICKER, LIQUID SOAP	1	Series	10	
16	23001361	BOLT M4X10	1	Series	10	
17	23001055	NUT (M4)	1	Series	10	
18	23001119	MECH. INTERLOCK, CONTACTOR	-	Series	10	
19	23001069	SCREW (M4 X 4)	1	Series	10	
20	23001465	STICKER, ELECTRICITY WARNING	1	Series	10	
21	NLA	SCREW (M6 X 25)	1	Series	10	
22	23001515	NUT (M6)	1	Series	10	
23	NLA	WASHER (M6)	1	Series	10	
24	23001518	SERIES 15 THIS PART IS				
24	NLA	FILTER, NET	1	Series	10	
25	23001519	CALO, TRAFO	1	Series	10	
26	NLA	LABEL, EARTH	1	Series	10	

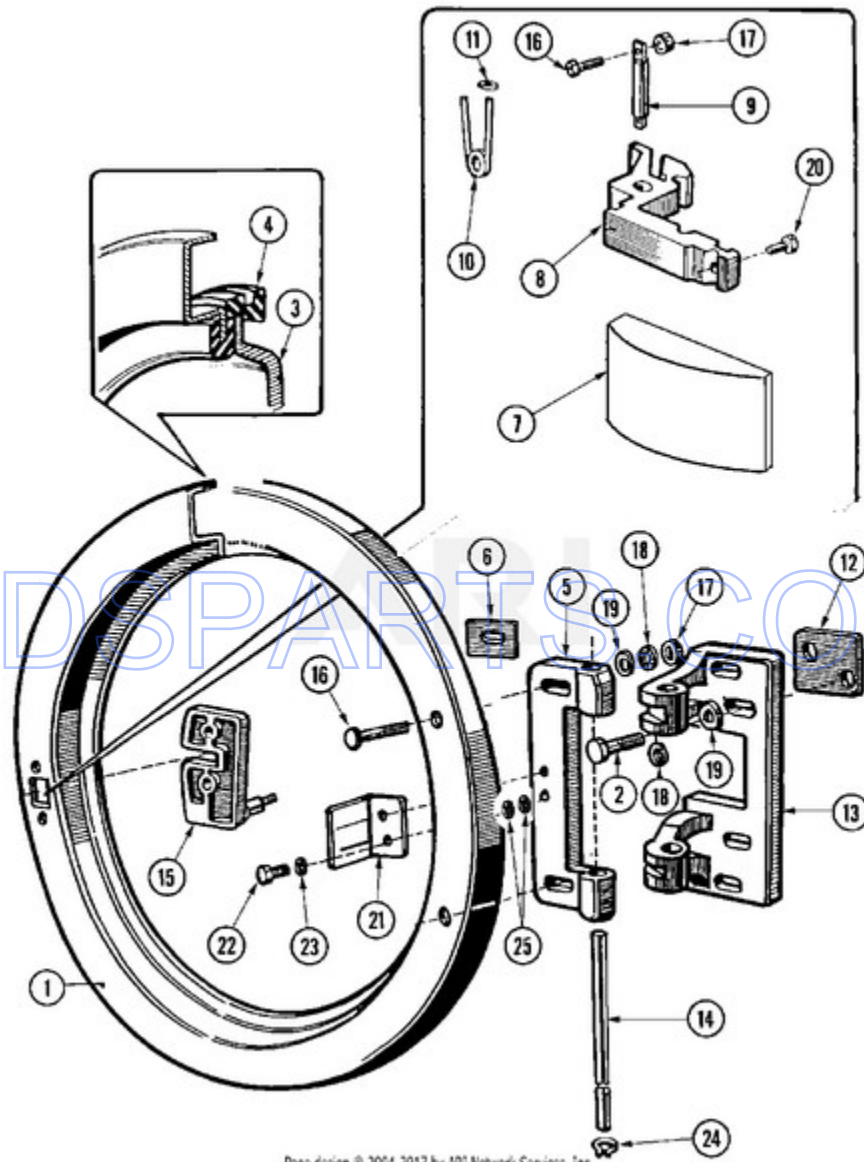


MFR25MCATS - 05 - DOOR LOCK ASSEMBLY (SERIES 10)



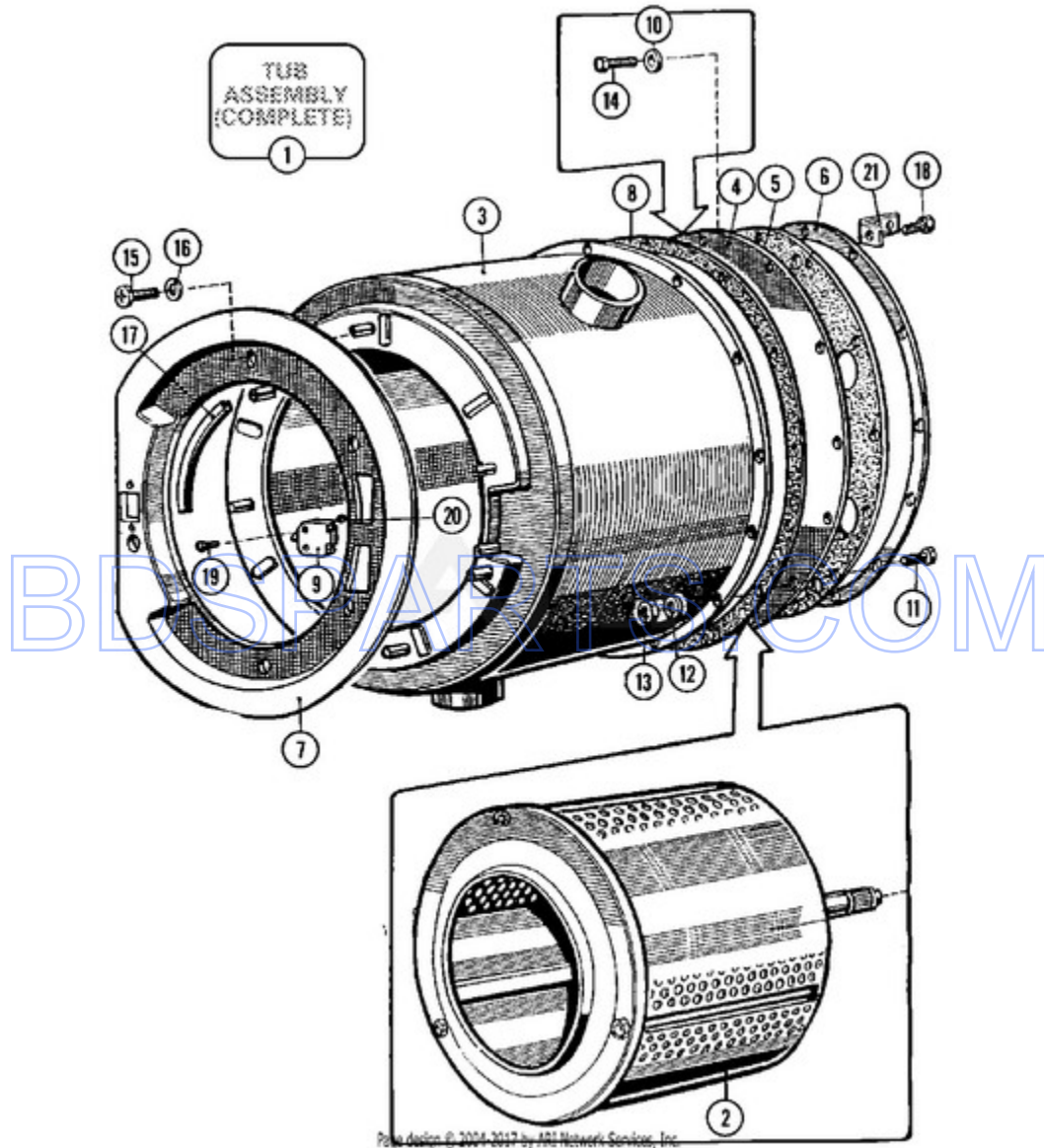
Ref #	Part #	Description	Qty	Note
1	Y23002897	LOCK, DOOR (COMPLETE)	1	Series 10
2	23001130	PLATE, COVER (STNLS STEEL)	1	Series 10
3	23001131	SCREW (M3 X 14 CROSS RECESSED)	1	Series 10
4	23001132	SCREW (M3 X 4 CROSS RECESSED)	1	Series 10
5	23001133	SCREW (M5 X 25 STNLS STEEL)	1	Series 10
6	23001070	SCREW (M4X10)	1	Series 10
7	23001134	BOLT (M3 X 6)	1	Series 10
8	23001135	BIMETAL, ACTUATOR (230V)	1	Series 10
9	23001136	WASHER (DIA. 5.1 X 3.3 X 0.1)	1	Series 10
10	23001137	RING, RETAINING (G10)	1	Series 10
11	23001138	BUSHING, CABLE PASSAGE	1	Series 10
12	23001139	HOUSING, DOOR LOCK	1	Series 10
13	23001140	BAR, LOCKING	1	Series 10
14	23001141	BAR, HANDLE LATCH	1	Series 10
15	23001142	RETAINER, LOCK TUBE (DIA.4X45)	1	Series 10
16	23001143	TUBE, LOCK (DIA. 4X23.5 STNLS)	1	Series 10
17	23001144	MICROSWITCH, SHORT LEVER	1	Series 10
18	23001145	MICROSWITCH, LONG LEVER	1	Series 10
19	23001146	COIL (240V)	1	Series 10
19	23001147	COIL (120V)	1	Series 10
20	23001148	COIL SPRING, HANDLE LATCH BAR	1	Series 10
21	23001149	LEAF SPRING, LATCH BAR	1	Series 10
22	23001152	CORD, EMERGENCY OPENING	1	Series 10
23	23001153	LEVER, EMERGENCY OPENING	1	Series 10
24	23001154	WIRING HARNESS, DOORLOCK (OPL)	1	Series 10
25	23001155	SHIM	1	Series 10
26	23001156	SPACER, LOCK	1	Series 10
27	23001157	BOLT (M6 X 12 STNLS STEEL)	1	Series 10
28	23001158	SPRING, LOCKWASHER (M6)	1	Series 10
29	23001159	WASHER (DIA. 14X8.6X1 STNLS)LU	1	Series 10

MFR25MCATS - 06 - DOOR



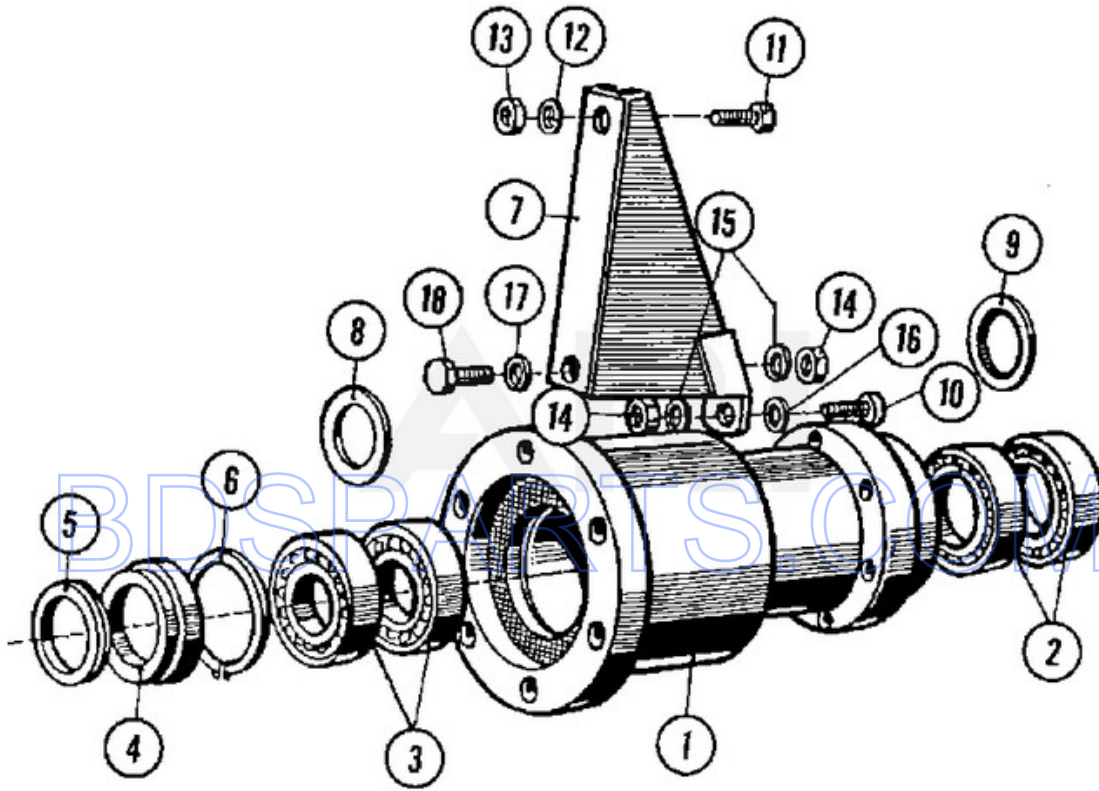
Ref #	Part #	Description	Qty	Note
1	23001363	RING, DOOR	1	Series 10
2	23001374	BOLT (M6 X 20)	1	Series 10
2	23002279	BOLT (M6X20)	1	Series 11
3	23001364	GLASS, DOOR	1	Series 10
4	23001365	RUBBER, DOOR GLASS	1	Series 10
5	23001366	PLATE, HINGE	1	Series 10
6	23001166	SHIM, HINGE PLATE	1	Series 10
7	12001889	KIT, DOOR HANDLE ASSEMBLY HANDLE FRONT & BACK INCLUDE	1	Series 14
7	23001524	HANDLE, DOOR (BLK)	1	Series 10
7	23001614	DOORLOCK, HANDLEGRIP	1	Series 11
8	23001367	LEVER, HANDLE	1	Series 10
8	23003633	LEVER, DOOR	1	Series 14
9	23001168	HANDLE, LEVER SHAFT	1	Series 10
10	23001169	SPRING, HANDLE LEVER	1	Series 10
11	23001170	FASTENER, SPRING (DIA. 3.2)	1	Series 10
11	23002499	WASHER	1	Series 14
12	23001368	SHIM, HINGE BASE	1	Series 10
13	23001369	PIN, DOOR LOCK	1	Series 10
14	23001172	SHAFT, DOOR HINGE	1	Series 10
15	23001370	HANDLE, LEVER PLATE	1	Series 10
16	23001175	SCREW (M6X20 STAINLESS STEELLU	1	Series 14
16	23001371	SCREW (M6 X 20 STNLS STEEL)	1	Series 10
17	23001176	NUT (M6 STNLS STEEL)	1	Series 10
17	23002280	NUT M6	1	Series 11
18	23001158	SPRING, LOCKWASHER (M6)	1	Series 10
19	23001159	WASHER (DIA. 14X8.6X1 STNLS)LU	1	Series 10
19	23002617	SCREW (M4X8)	1	Series 11
20	23001177	SCREW (M4 X 10)	1	Series 14
20	23001372	SCREW (M4 X 10 STNLS STEEL)	1	Series 10
20	23002617	SCREW (M4X8)	1	Series 11
21	23001373	MICROSWITCH, ACTIVATING PLATE	1	Series 10
22	23001361	BOLT M4X10	1	Series 10
22	23001781	BOLT (M4X10)	1	Series 11
23	23001013	LOCKWASHER (EXTERNAL TEETH M4)	1	Series 10
23	23002111	WASHER (4)	1	Series 11
24	23001181	RING, RETAINING (DIA. 8)	1	Series 10
25	23001180	WASHER (DIA. 10X5.3X1)	4	Series 11

MFR25MCATS - 07 - BASKET & OUTER SHELL ASSY. (SERIES 10)



Ref #	Part #	Description	Qty	Context Note	MSRP
1	NLA	TUB (COMPLETE)	1	Series 10	
2	23001378	DRUM & SHAFT	1	Series 10	
3	23001380	SHELL (OUTER)	1	Series 10	
4	NLA	PLATE, BACK (STNLS STEEL)	1	Series 10	
5	23001383	PLATE, BACK (IRON)	1	Series 10	
6	NLA	RING, CLAMP (12 HOLES)	1	Series 10	
7	NLA	SHIELD	1	Series 10	
8	23001386	GASKET, SHELL (REAR)	1	Series 10	
9	23001200	HINGE, MIRCO SWITCH	1	Series 10	
10	23001201	WASHER (DIA. 22X11X1 BRASS)	1	Series 10	
11	23001205	BOLT (M8 X 45)	1	Series 10	
12	23001265	WASHER (8)	1	Series 10	
13	23001306	LOCKING NUT, SELF	1	Series 10	
14	23001374	BOLT (M6 X 20)	1	Series 10	
15	23001177	SCREW (M4 X 8 STNLS STEEL)	1	Series 10	
16	23001204	WASHER, FINISHING (DIA. 5)	1	Series 10	
17	23001088	TRIM, RUBBER	1	Series 10	
18	23001388	BOLT (M8 X 40)	1	Series 10	
19	23001089	SCREW (M4 X 16 CK)	1	Series 10	
20	23001055	NUT (M4)	1	Series 10	
21	23001206	BRACKET, MOTOR HARNESS	1	Series 10	

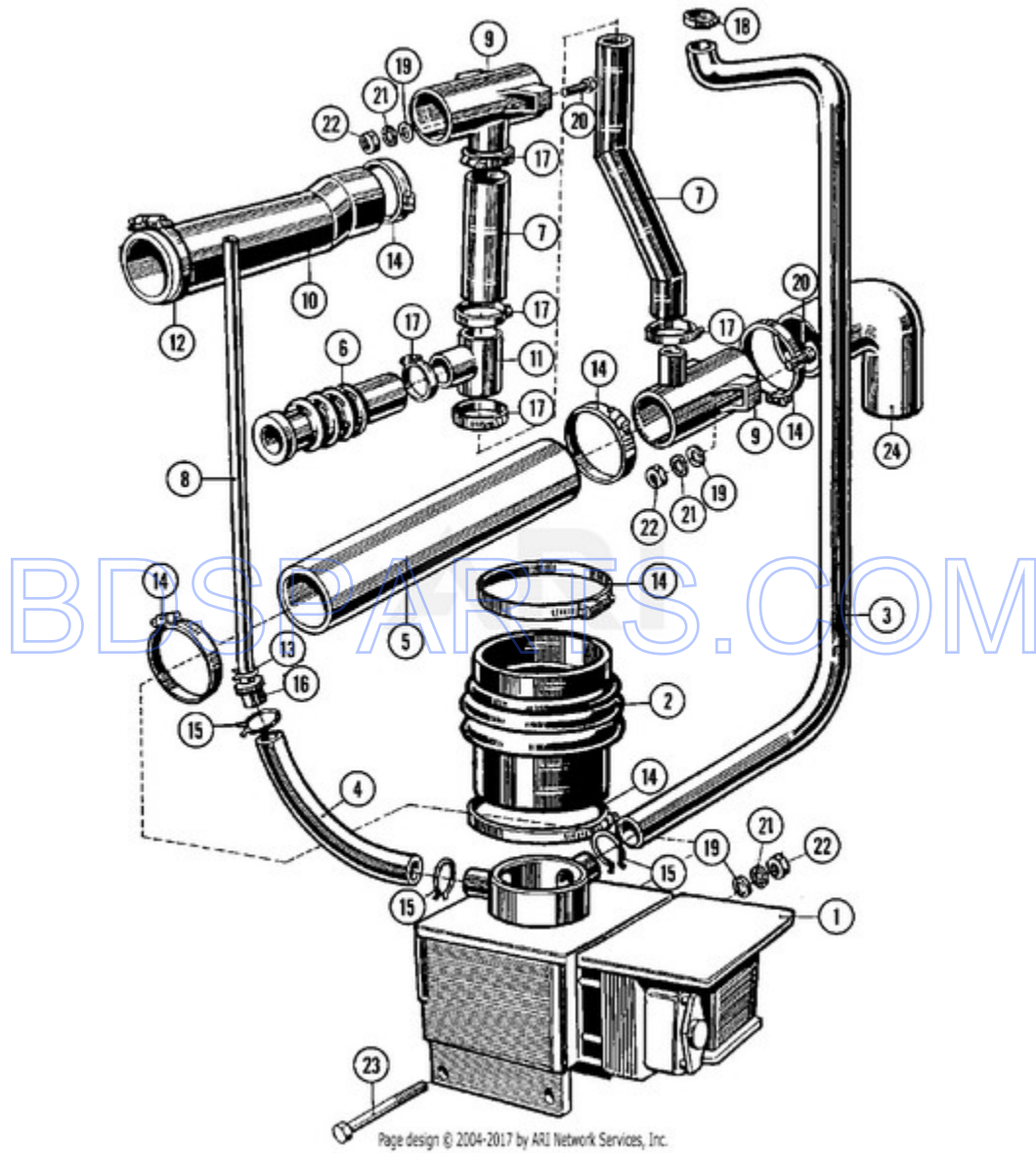
MFR25MCATS - 08 - BEARINGS & TRUNNION ASSY. (SERIES 10)



Ref #	Part #	Description	Qty	Context	Note	MSRP
1	23001230	TRUNNION (CASTING ONLY)	1	Series	10	
2	23001232	BEARING (REAR)	2	Series	10	
3	23001231	BEARING (6209 2RS C3)	2	Series	10	
4	23001234	SEAL, WATER	1	Series	10	
5	23001233	RING, SEAL	1	Series	10	
6	23001235	RING, INTERNAL SNAP	1	Series	10	
7	23001398	SPOKE	6	Series	10	
8	23001236	RING, SPACER (FRONT BEARING)	1	Series	10	
9	23001237	RING, SPACER (REAR BEARING)	1	Series	10	
10	23001239	BOLT (M10 X 40)	6	Series	10	
11	23001388	BOLT (M8 X 40)	6	Series	10	
12	23001265	WASHER (8)	1	Series	10	
13	23001306	LOCKING NUT, SELF	1	Series	10	
14	23001240	NUT (M10)	1	Series	10	
15	23001400	LOCK WASHER, SPRING	1	Series	10	
16	NLA	WASHER (10.5)	1	Series	10	
17	23001201	WASHER (DIA. 22X11X1 BRASS)	1	Series	10	
18	23001374	BOLT (M6 X 20)	1	Series	10	
19	23002938	TRUNNION (35LBS) ITEMS 1,2,3,&6	1	Series	10	

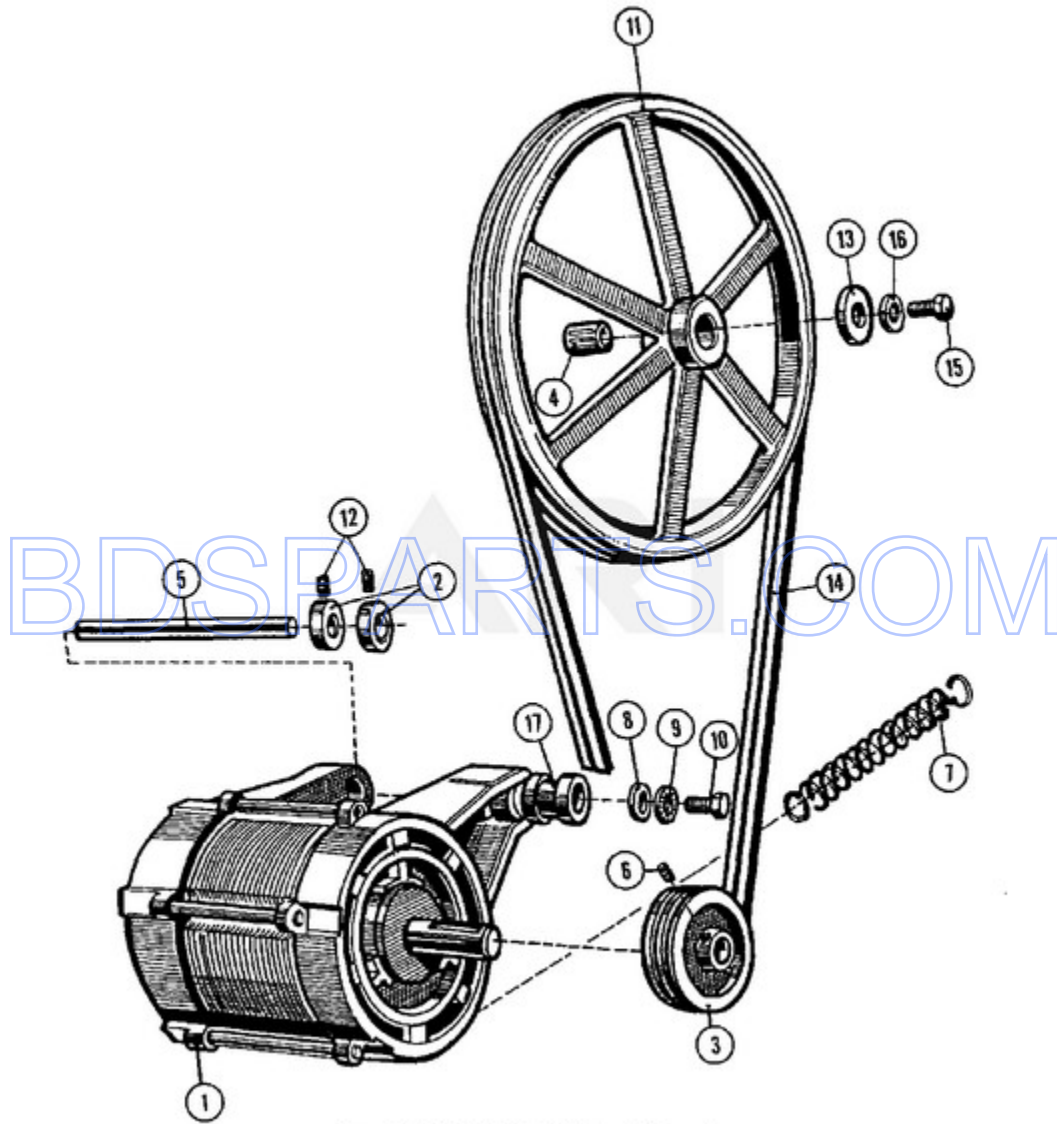


MFR25MCATS - 09 - DRAIN & HOSE ASSEMBLY (SERIES 10)



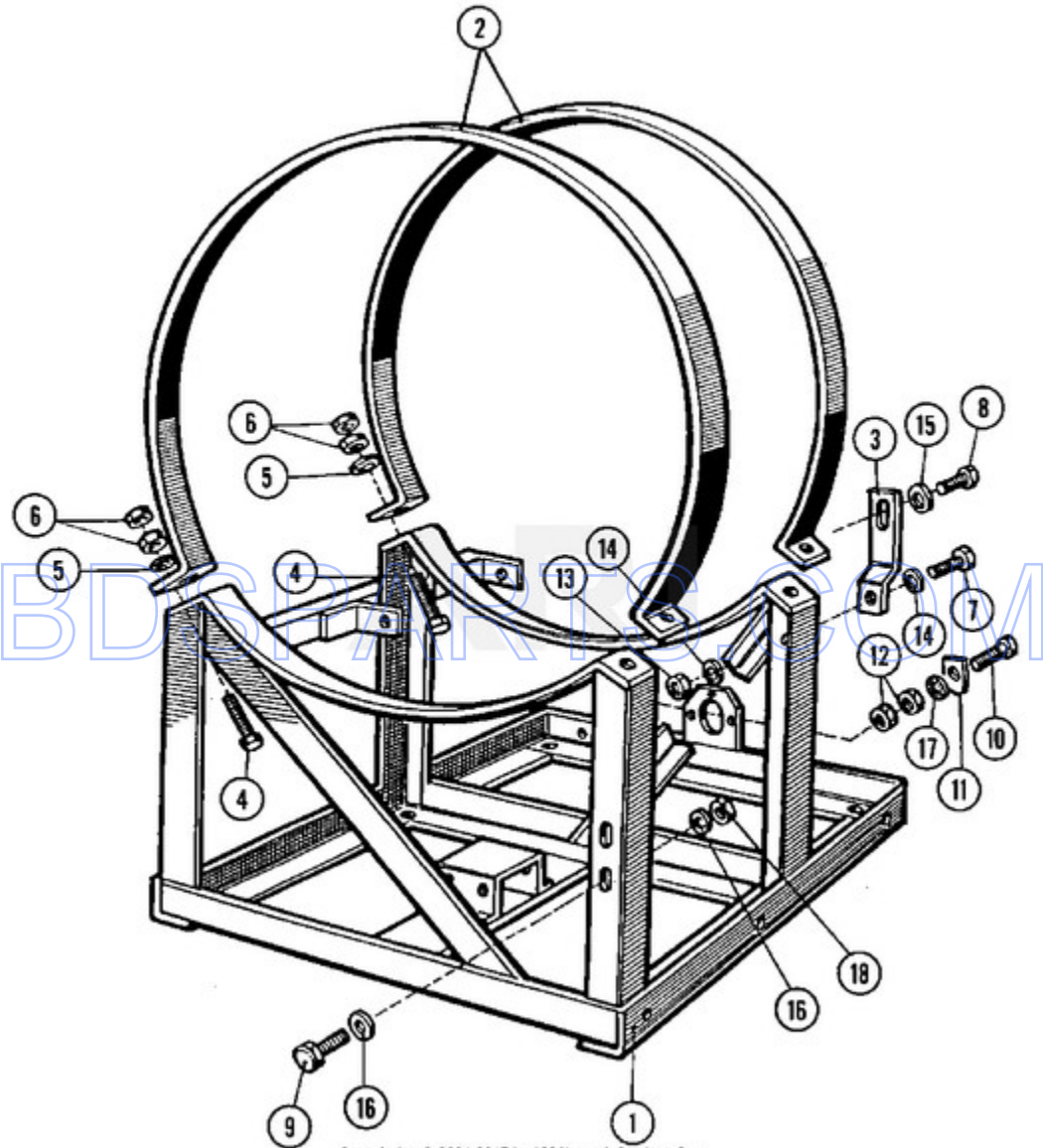
Ref #	Part #	Description	Qty	Context Note	MSRP
1	23001244	VALVE, DRAIN (240V-50/60HZ)	1	Series 10	
1	23002321	MOTOR, DRAIN (240V)	1	Series 10	
2	23001245	HOSE, TUB	1	Series 10	
3	23001246	HOSE, BOTTOM FILL	1	Series 10	
4	23001247	HOSE, AIR DOME (30 CM)	1	Series 10	
5	23001248	HOSE, DRAIN	1	Series 10	
6	23001250	HOSE, AIR VENT	1	Series 10	
7	23001251	HOSE, OVERFLOW	1	Series 10	
8	23001252	HOSE, WATER LEVEL SWITCH	1	Series 10	
9	23001253	TEE, DRAIN	1	Series 10	
10	23001254	AIR VENT HOSE, SOAP BOX	1	Series 10	
11	23001255	TEE, OVERFLOW HOSE	1	Series 10	
12	23001256	CLAMP, HOSE (60-80)	1	Series 10	
13	23001257	CLAMP, CORBIN (A5.5)	1	Series 10	
14	23001258	CLAMP, HOSE (70-90)	1	Series 10	
15	23001259	CLAMP, CORBIN (A17.5)	1	Series 10	
16	23001260	BUSHING, AIR DOME HOSE	1	Series 10	
17	23001261	CLAMP, HOSE (32-50)	1	Series 10	
18	23001262	CLAMP, HOSE (20-32)	1	Series 10	
19	23001263	WASHER (8.4)	1	Series 10	
20	23001264	BOLT M8X20	1	Series 10	
21	23001265	WASHER (8)	1	Series 10	
22	23001266	NUT (M8)	1	Series 10	
23	23001267	BOLT (M8 X 120)	1	Series 10	
24	23001268	HOSE, DRAIN (90 DIA.)	1	Series 10	

MFR25MCATS - 10 - MOTOR & BASKET PULLEY (SERIES 10)



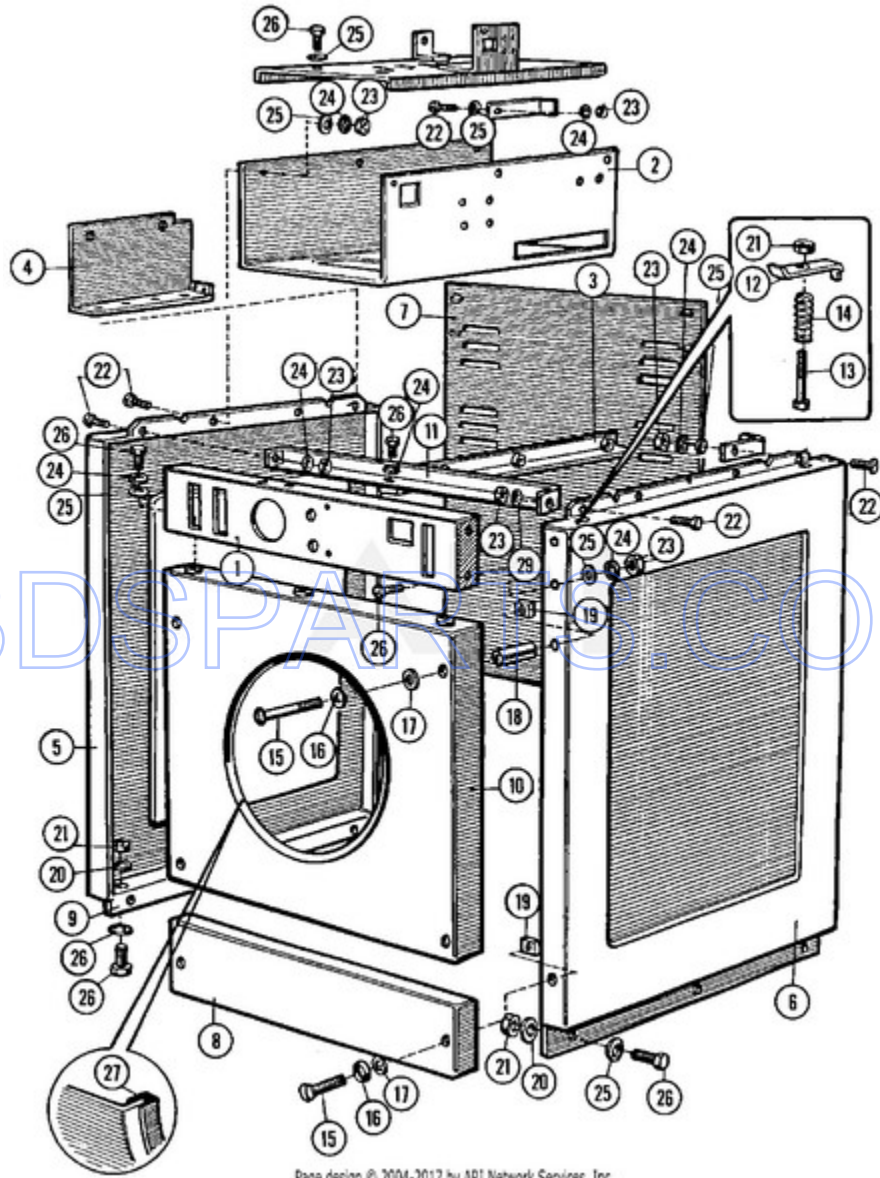
Ref #	Part #	Description	Qty	Context	Note	MSRP
1	23001406	MOTOR (THREE PHASE 240/208V)	-	Series	10	
1	23001407	MOTOR (SINGLE PHASE)	1	Series	10	
2	23001408	COLLAR, RETAINER	1	Series	10	
3	23001409	V-PULLEY (DIA. 53 60HZ)	1	Series	10	
4	23001410	RING, TOLERANCE (DIA. 28)	1	Series	10	
5	NLA	SUPPORT ROD, MOTOR	1	Series	10	
6	23001289	SCREW, ALLEN SET (M8 X 10)	1	Series	10	
7	23001413	MOTOR, SPRING	1	Series	10	
8	NLA	WASHER (10.5)	1	Series	10	
9	23001400	LOCK WASHER, SPRING	1	Series	10	
10	23001414	BOLT (M10 X 25)	1	Series	10	
11	23001415	PULLEY, BASKET	1	Series	10	
12	NLA	SCREW, SET (M5 X 6)	1	Series	10	
13	23001282	WASHER (DIA. 37 X 13 X 3)	1	Series	10	
14	23001417	V-BELT (10 X 1575)	1	Series	10	
15	23001418	BOLT M12X25	1	Series	10	
16	23001419	LOCKWASHER(EXTERNAL TEETH M12)	1	Series	10	
17	23001420	MOTOR, SUSPENSION RUBBER	1	Series	10	

MFR25MCATS - 11 - BASE FRAME (SERIES 10)



Ref #	Part #	Description	Qty	Context	Note	MSRP
1	NLA	FRAME	1	Series	10	
2	NLA	CLAMP, TUB	1	Series	10	
3	NLA	BRACE, TUB SUPPORT	1	Series	10	
4	23001425	BOLT (M10X50)	1	Series	10	
5	23001400	LOCK WASHER, SPRING	1	Series	10	
6	23001240	NUT (M10)	1	Series	10	
7	23001304	BOLT (M8 X 35)	1	Series	10	
8	23001205	BOLT (M8 X 45)	1	Series	10	
9	23001307	BOLT (M6 X 20)	1	Series	10	
10	23001311	BOLT (M6 X 25)	1	Series	10	
11	23001308	HARDWARE, GROUNDING	1	Series	10	
12	23001312	NUT (M6)	1	Series	10	
13	23001266	NUT (M8)	1	Series	10	
14	23001265	WASHER (8)	1	Series	10	
15	NLA	WASHER (DIA. 30 X 8.5 X 2.5)	1	Series	10	
16	23001309	WASHER (6.4) LU	1	Series	10	
17	23001028	LOCKWASHER (EXTERNAL TEETH M6)	1	Series	10	
18	23001310	NUT, SELF LOCKING (M6)	1	Series	10	
19	23001313	WASHER (6.4)	1	Series	10	

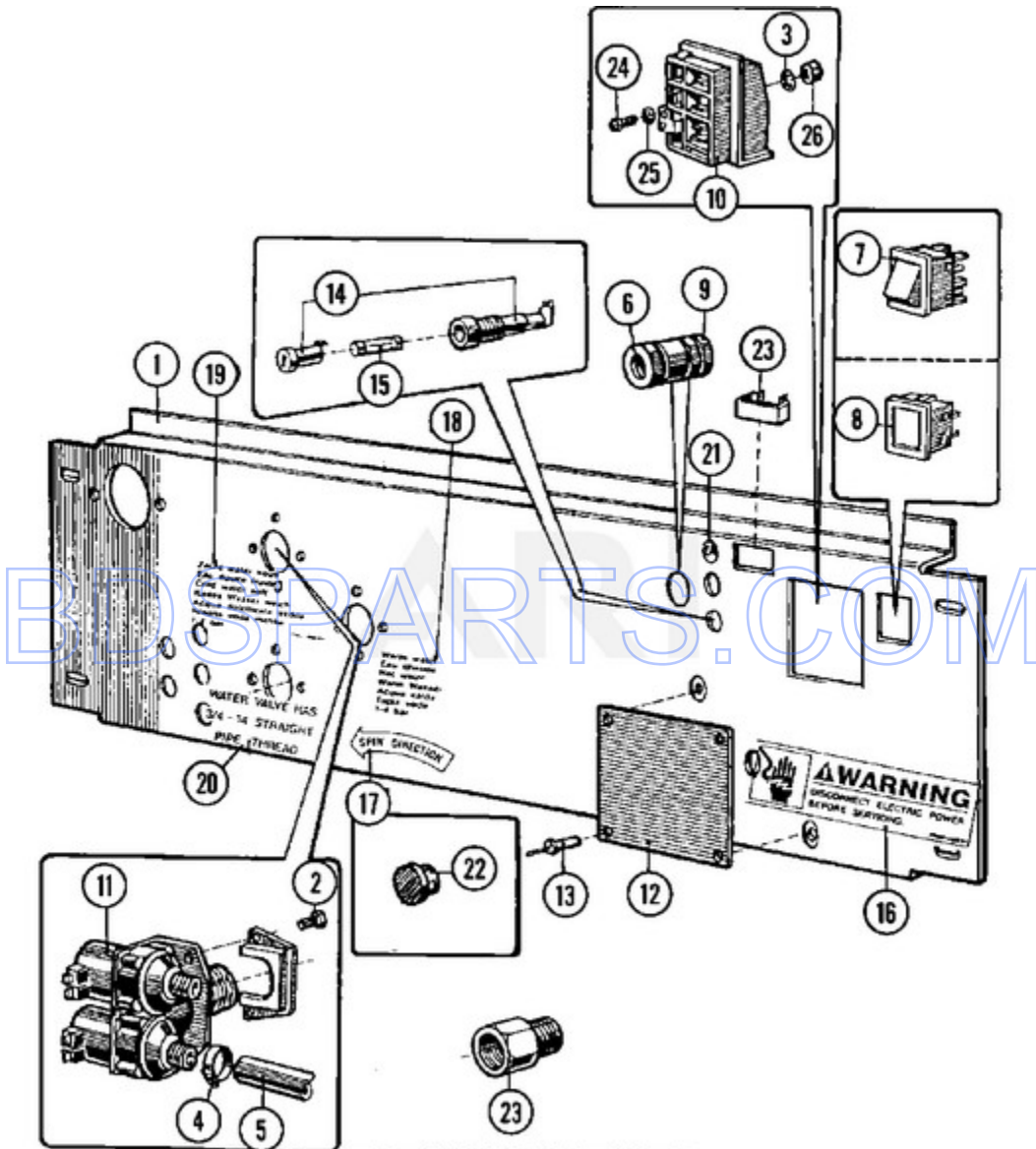
MFR25MCATS - 12 - CABINET (SERIES 10)



Ref #	Part #	Description	Qty	Context	Note	MSRP
1	NLA	PLATE, BACK-UP (COIN METER)	1	Series	10	
2	23001314	TRAY, ELEC. COMPONENTS	1	Series	10	
3	NLA	HOLDER BOX, ELECTRICAL COMPONE	1	Series	10	
4	23001548	CONDENSATORS, BOX	1	Series	10	
5	23001431	PANEL, SIDE (LT)	1	Series	10	
6	NLA	PANEL, SIDE (RT)	1	Series	10	
7	NLA	PANEL, REAR	1	Series	10	
8	23001436	PANEL, ACCESS (LWR)	1	Series	10	
9	23001438	SUPPORT, SIDE PANEL	1	Series	10	
10	23001347	PANEL, FRONT	1	Series	10	
11	NLA	BEAM, CROSS	1	Series	10	
12	23001442	COVER, HOOK	1	Series	10	
13	23001444	BOLT (M6X30)	1	Series	10	
14	23001445	COVER, SPRING	1	Series	10	
15	23001446	SCREW (M5 X 50 STNLS STEEL)	1	Series	10	
16	23001204	WASHER, FINISHING (DIA. 5)	1	Series	10	
17	23001447	WASHER, FIBER (12 X 6 X 2)	1	Series	10	
18	23001331	SPACER, PANEL	1	Series	10	
19	23001448	NUT, RAPID (M5)	1	Series	10	
20	23001309	WASHER (6.4) LU	1	Series	10	
21	23001310	NUT, SELF LOCKING (M6)	1	Series	10	
22	23001449	LOCKING NUT, SELF (M6)	1	Series	10	
23	23001034	NUT (M6)	1	Series	10	
24	23001028	LOCKWASHER (EXTERNAL TEETH M6)	1	Series	10	
25	23001027	WASHER (DIA. 12 X 6.5 X 1.6)	1	Series	10	
26	23001026	BOLT (M6 X 16)	1	Series	10	
27	23001088	TRIM, RUBBER	1	Series	10	

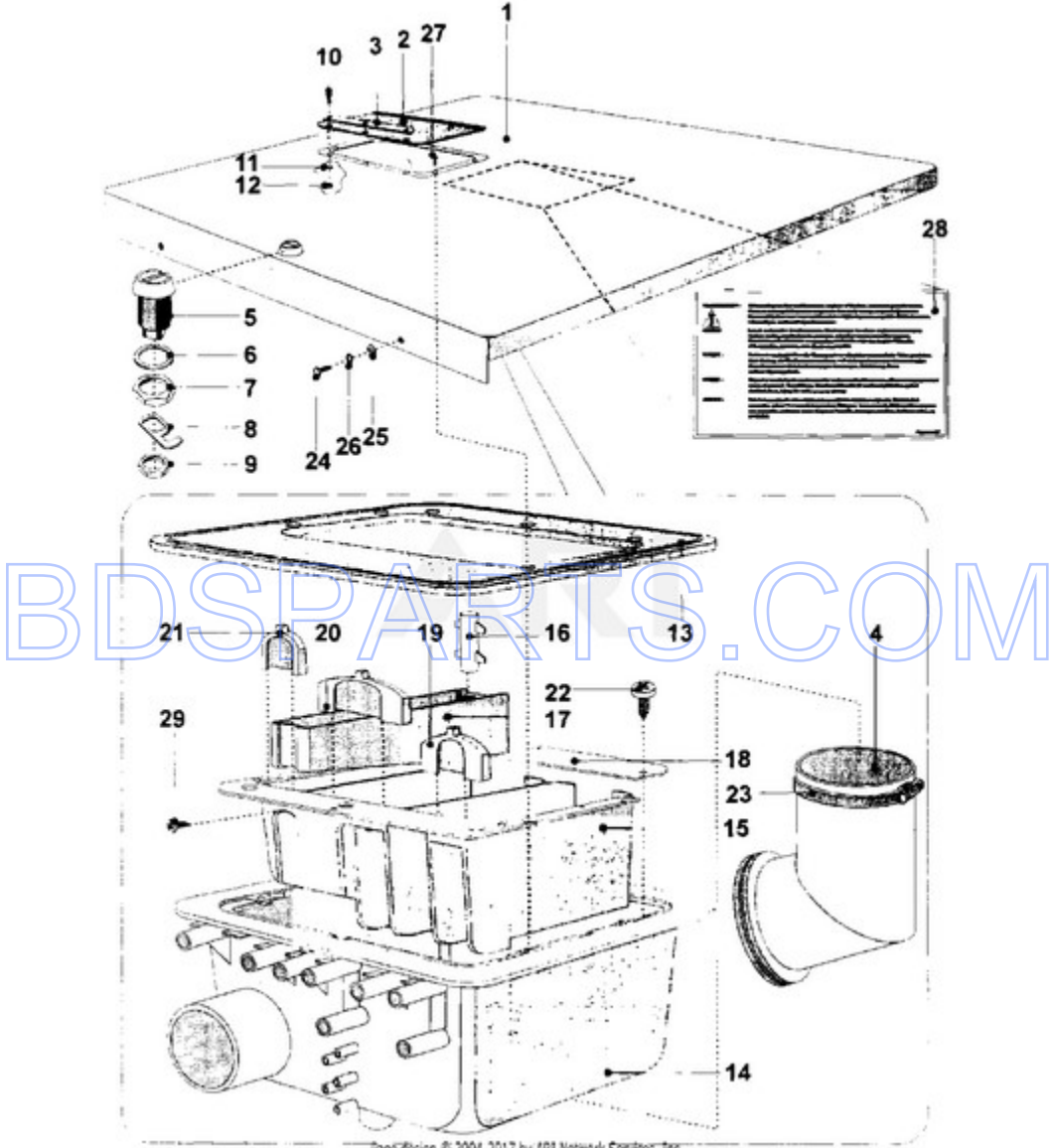


MFR25MCATS - 13 - WATER VALVE & REAR PANEL (SERIES 10)



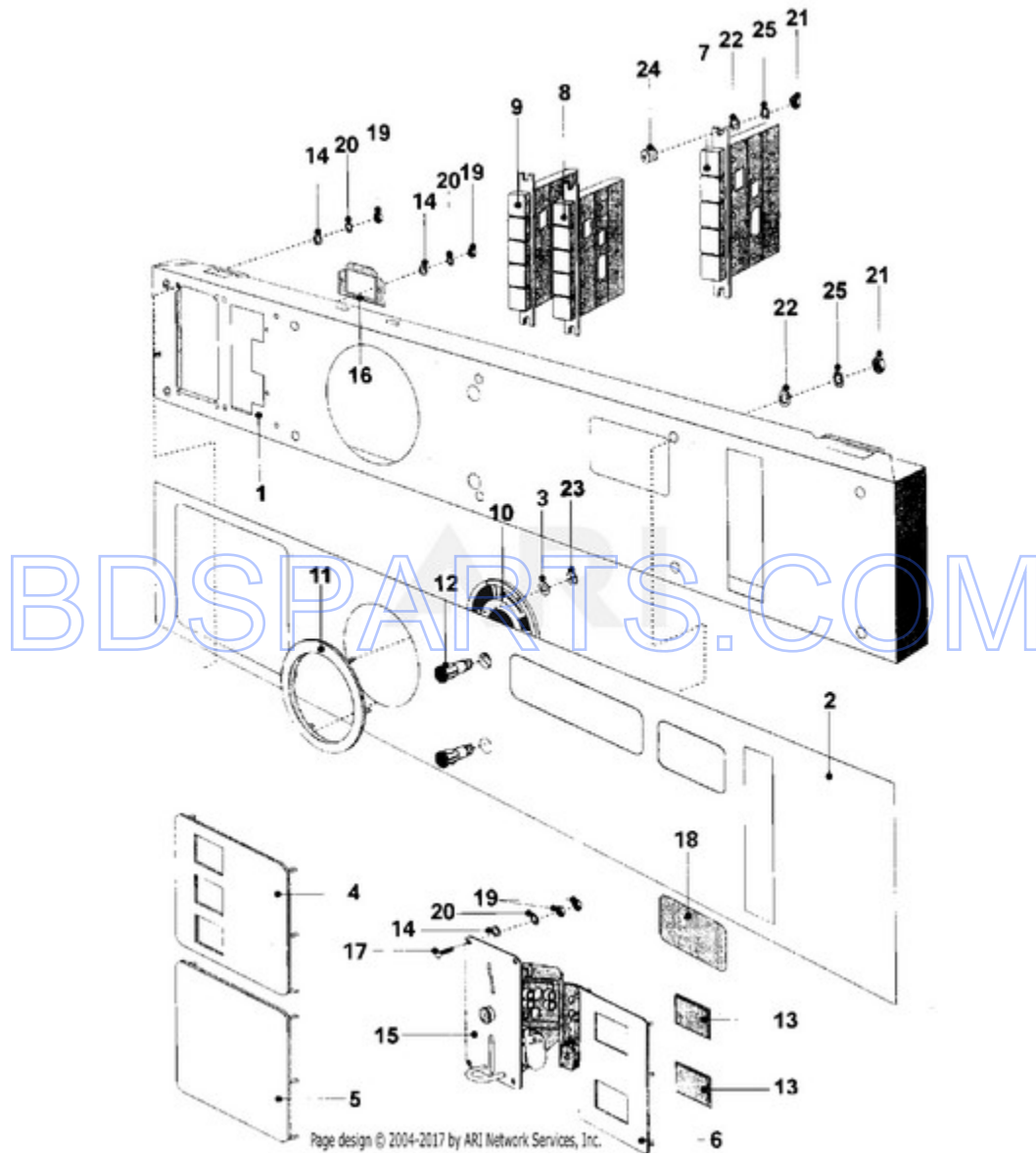
Ref #	Part #	Description	Qty	Context	Note	MSRP
1	NLA	PANEL, VALVE	1	Series	10	
2	23001361	BOLT M4X10	1	Series	10	
3	23001013	LOCKWASHER (EXTERNAL TEETH M4)	1	Series	10	
4	23001506	CLAMP, HOSE	1	Series	10	
5	23001507	WATERHOSE (GREEN)	1	Series	10	
6	23001450	SWIVEL (PG9)	1	Series	10	
7	23001529	BUTTON (RAPID ADVANCE)	1	Series	10	
8	23001452	PLUG (WHT)	-	Series	10	
9	23001453	NUT, SWIVEL (PG9)	1	Series	10	
10	23001454	BLOCK, TERMINAL CONNECTION	1	Series	10	
11	23001455	VALVE, TWO WAY (220V 50/60HZ)	1	Series	10	
12	23001460	PLATE, IDENTIFICATION	1	Series	10	
13	23001461	RIVETS, BLIND	1	Series	10	
14	23001462	HOLDER, FUSE	1	Series	10	
15	23001508	FUSE (1A)	1	Series	10	
16	23001465	STICKER, ELECTRICITY WARNING	1	Series	10	
17	23001468	STICKER, SPIN DIRECTION	1	Series	10	
18	23001469	STICKER, HOT WATER	1	Series	10	
19	23001471	STICKER, COLD SOFT WATER	1	Series	10	
20	23001509	STICKER, PIPE THREAD	1	Series	10	
21	NLA	STICKER (1A)	1	Series	10	
22	NLA	PLUG, LIQUID SOAP OPENING	1	Series	10	
23	23001339	NUT, CAGE	1	Series	10	
24	NLA	SCREW (M 4 X 16 BRASS)	1	Series	10	
25	NLA	WASHER (DIA. 9 X 4.3 X 0.8)	1	Series	10	
26	23001481	NUT (M4 BRASS)	1	Series	10	
27	23001482	NIPPLE (3/4` PIPE THREAD)	1	Series	10	
28	23001483	WASHER (DIA. 40 X 6.5 X 3)	1	Series	10	
29	23001484	EXTENSION, BRASS PIPE THREAD	1	Series	10	
30	23001485	TEE, 3/4` PIPE THREAD (BRASS)	1	Series	10	
31	NLA	VALVES, PLATE	1	Series	10	
32	23001522	SCREW (M6 X 12)	1	Series	10	
33	23001523	HOSE, CONNECTION	1	Series	10	
33	23002921	WASHER, FILL HOSE	1	Series	10	

MFR25MCATS - 14 - SOAP BOX & TOP COVER ASSY. (SERIES 11)



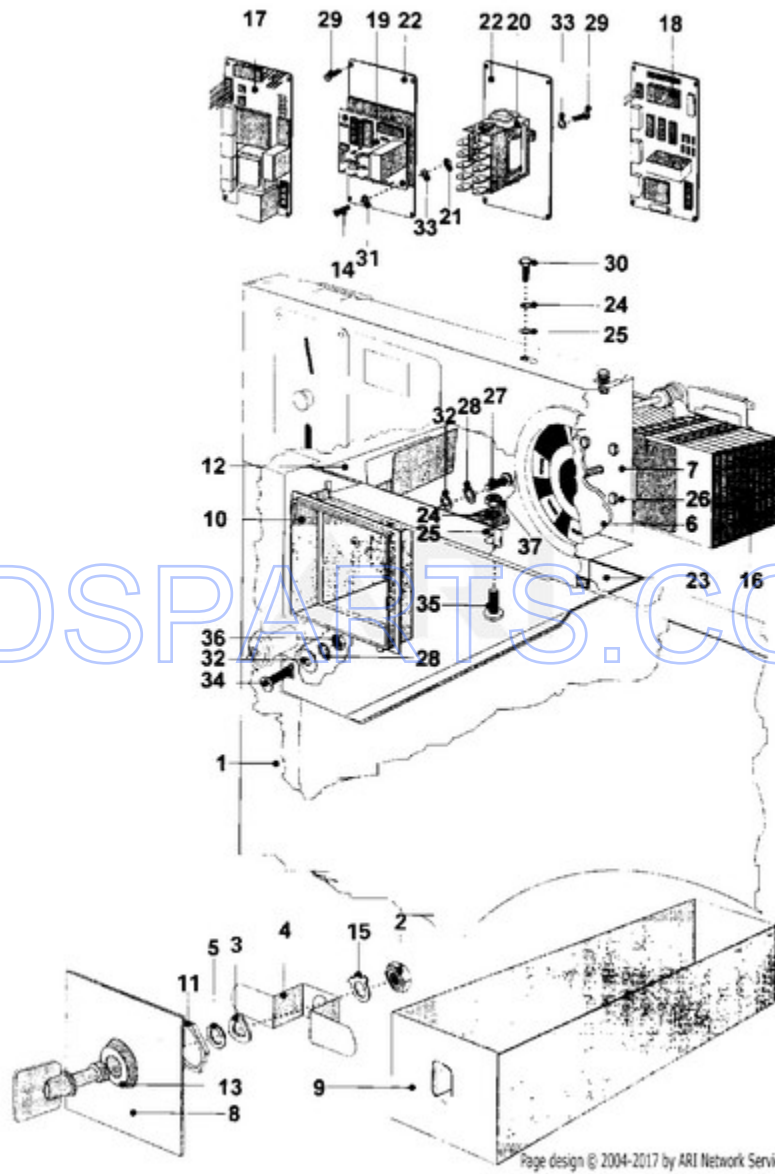
Ref #	Part #	Description	Qty	Context Note	MSRP
1	NLA	COVER, SOAP HOPPER	1	Series 11	
2	23001003	RUBBER COVER, SOAP BOX	1	Series 11	
3	23002893	LATH, RUBBER COVER SOAP HOPPER	1	Series 11	
4	23001005	RUBBER HOSE, SOAP BOX	1	Series 11	
5	23001006	LOCK, TOP PANEL	1	Series 11	
6	23001007	WASHER, FIBER	1	Series 11	
7	23001008	LOCK NUT (LARGE)	1	Series 11	
8	23001009	LOCK HOOK (SHORT)	1	Series 11	
9	23001011	NUT	1	Series 11	
10	23001012	BOLT (M4 X 12 STNLS STEEL)	3	Series 11	
11	23001636	WASHER	3	Series 11	
12	23002652	NUT (QTY OF 4 = 1 PIECE)	3	Series 11	
13	23001015	RUBBER SEAL, SOAP BOX	1	Series 11	
14	23001016	SOAP BOX HOUSING	1	Series 11	
15	23001017	SOAP BOX INSERT	1	Series 11	
16	23001018	SIPHON	1	Series 11	
17	23001019	TRAY	1	Series 11	
18	23001020	COVER, PLATE	1	Series 11	
19	23001021	DRAWER, PREWASH	1	Series 11	
20	23001022	DRAWER, MAIN WASH	1	Series 11	
21	23001021	DRAWER, PREWASH	1	Series 11	
22	23001024	SCREW	7	Series 11	
23	23001025	CLAMP, HOSE (DIA 90/110)	1	Series 11	
24	23002461	BOLT (M6 X16)	2	Series 11	
25	23001027	WASHER (DIA. 12 X 6.5 X 1.6)	2	Series 11	
26	23001734	WASHER (M6)	2	Series 11	
27	23002894	SCREW (M5X15)	4	Series 11	
28	NLA	LABEL (SERV. WARNING)	1	Series 11	
29	23002318	SCREW, PAN HEAD (SLOTTED)	3	Series 11	

MFR25MCATS - 15 - CONTROL PANEL-MC (SERIES 11)



Ref #	Part #	Description	Qty	Context Note	MSRP
1	23003287	PANEL, CONTROL (W/COIN METER)	1	Series 11	
2	NLA	PANEL, FACIA (30C ON 3)	1	Series 11	
3	23002325	WASHER	6	Series 11	
4	NLA	PLATE, INDEX (PUSH BUTTONS)	1	Series 11	
5	NLA	PLATE, INDEX	1	Series 11	
6	23002522	PLATE, INDEX (WITHOUT HOLES)	1	Series 11	
6	NLA	PLATE, INDEX (COIN METER)	1	Series 11	
7	23002491	SWITCH, PROGRAM SELECTOR	1	Series 11	
8	23002492	SWITCH, FUNC SEL W/RED BUTTON	1	Series 11	
9	23002493	SWITCH, FUNCTION SELECTOR	1	Series 11	
10	23002495	DISK, INDICATOR (SYMBOLS)	1	Series 11	
11	23001044	ORNAMENTAL RING INDICATOR DISC	1	Series 11	
12	23001046	LAMP, INDICATOR	2	Series 11	
13	23001047	LENS	1	Series 11	
13	23001049	LENS, TRANSPARENT RED	1	Series 11	
13	NLA	ALUMINIUM	1	Series 11	
14	23001670	WASHER (M4)	12	Series 11	
15	23001063	COIN METER (25 CENTS-240V)	1	Series 11	
15	23001350	COIN METER (25 CENTS-115V)	1	Series 11	
16	23002864	PLATE, FIXATION (PLEXI)	2	Series 11	
18	NLA	PLATE, INSERT	1	Series 11	
19	23002500	WASHER, LOCK	16	Series 11	
20	NLA	LOCKWASHER (M3)	12	Series 11	
23	23001057	SPEEDNUT (M3)	6	Series 11	
24	23001058	SPACER	6	Series 11	
25	23002111	WASHER (4)	16	Series 11	
21	23002399	NUT(M4)	16	Series 11	
22	23001056	WASHER (4.3)	16	Series 11	
17	23001064	ORNAMENTAL SCREW (M3 X 10)	4	Series 11	

MFR25MCATS - 16 - TIMER & COIN METER ASSY. (SERIES 11)



BDSPARTS.COM

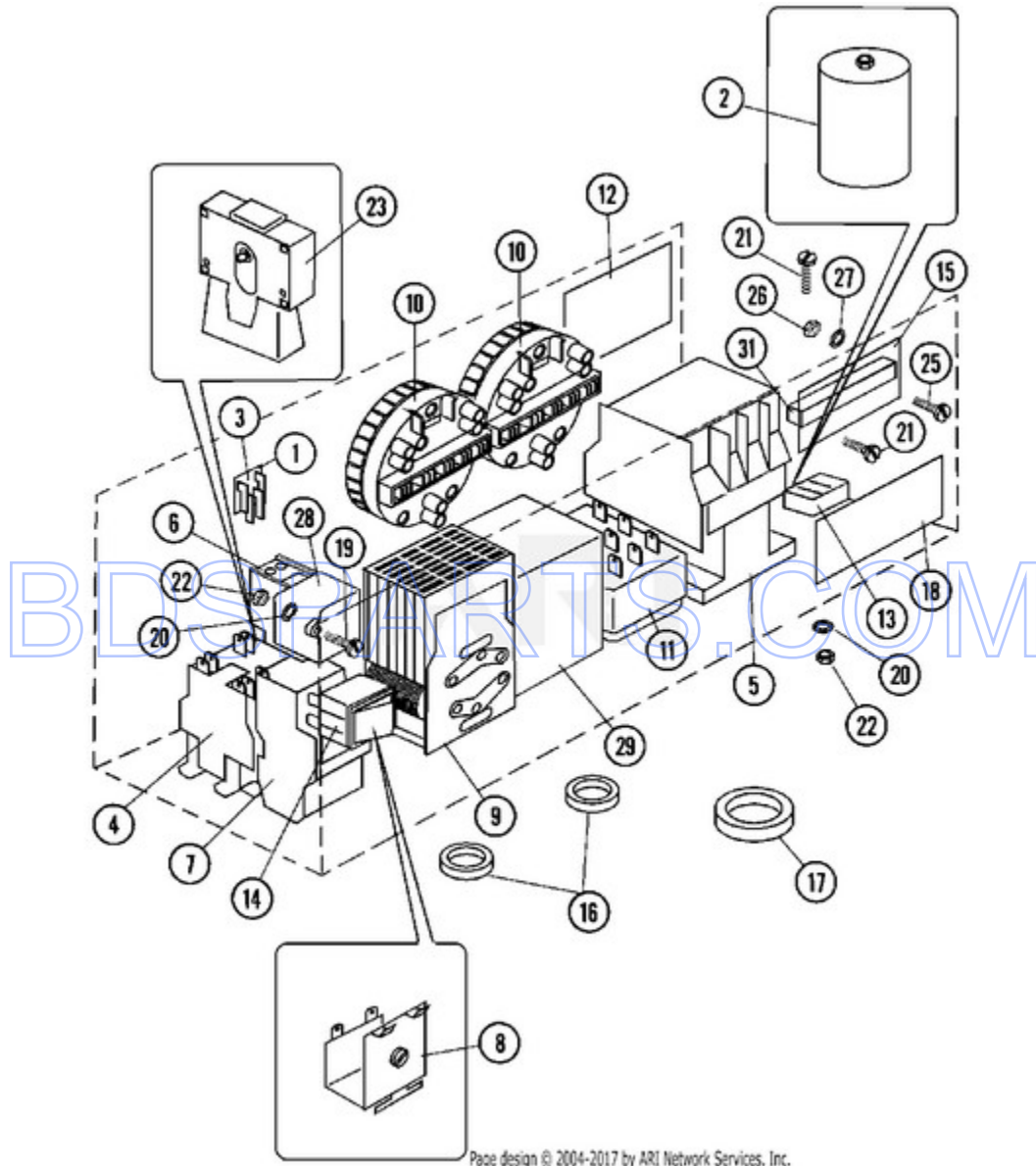
Ref #	Part #	Description	Qty	Context Note	MSRP
1	NLA	PANEL, FRONT	1	Series 11	
2	NLA	NUT, LOCK (SMALL)	1	Series 11	
3	NLA	WASHER, SPRING LOCK	1	Series 11	
4	23002879	CAM, COIN LOCK BOX	1	Series 11	
5	23001580	WASHER (6.4)	1	Series 11	
6	23001060	INDICATOR DISC, TIMER	1	Series 11	
7	23002880	TIMER, SUPPORT	1	Series 11	
8	23002881	PLATE, COIN VAULT ORNAMENTAL	1	Series 11	
9	23002882	BOX, COIN	1	Series 11	
10	NLA	ORNAMENTAL PART COIN VAULT	1	Series 11	
11	NLA	NUT, LOCK (BIG)	1	Series 11	
12	NLA	VAULT, COIN (SINGLE)	1	Series 11	
13	23002885	LOCK, COIN VAULT	1	Series 11	
14	23001131	SCREW (M3 X 14 CROSS RECESSED)	2	Series 11	
15	NLA	WASHER, SELF LOCKING	1	Series 11	
16	23001065	TIMER (PR 6023 230V)	1	Series 11	
16	23001351	TIMER (PR 6023-115V)	1	Series 11	
17	W10124350	NOT REQUIRED PART OR SEE NOTE	1		
18	23001066	COIN COUNTER (W/LED DISPLAY)	1	Series 11	
18	23001693	MEMORY	1	Series 11	
19	W10124350	NOT REQUIRED PART OR SEE NOTE	1	Series 11	
20	23001068	START RELAY	1	Series 11	
21	23002500	WASHER, LOCK	2	Series 11	
22	NLA	MOUNTING PLATE, START RELAY	1	Series 11	
23	NLA	SUPPORT, COIN VAULT	1	Series 11	
24	23001734	WASHER (M6)	3	Series 11	
25	23001027	WASHER (DIA. 12 X 6.5 X 1.6)	3	Series 11	
26	23002952	SCREW (M4X4)	4	Series 11	
27	23002423	SCREW (M4X10)	4	Series 11	
28	23002111	WASHER (4)	5	Series 11	
29	23001052	SCREW (M3 X 6 CROSS RECESSED)	6	Series 11	
30	23002354	SCREW (M6X16)	2	Series 11	
31	23001670	WASHER (M4)	2	Series 11	
32	NLA	WASHER (4.3)	5	Series 11	
33	NLA	LOCKWASHER (M3)	2	Series 11	
34	23001012	SCREW (M4 X 12 STNLS STEEL)	1	Series 11	
35	NLA	SCREW (M6X12)	1	Series 11	
36	23001055	NUT (M4)	1	Series 11	
37	23001034	NUT (M6)	1	Series 11	



Ref #	Part #	Description	Qty	Context Note	MSRP
38			-		
39	23001038	CONVERSION KIT (MC TO MN)	1	Series 11	
39	23002195	PC-PN CONVERSION KIT	-	Series 11	
39	23002333	PC TO PN CONVERSION (CSA)	-	Series 11	
39	23002334	MC TO MN CONVERS.(CSA)	1	Series 11	

BDSPARTS.COM

MFR25MCATS - 17 - MAIN CONTROL (SERIES 11)

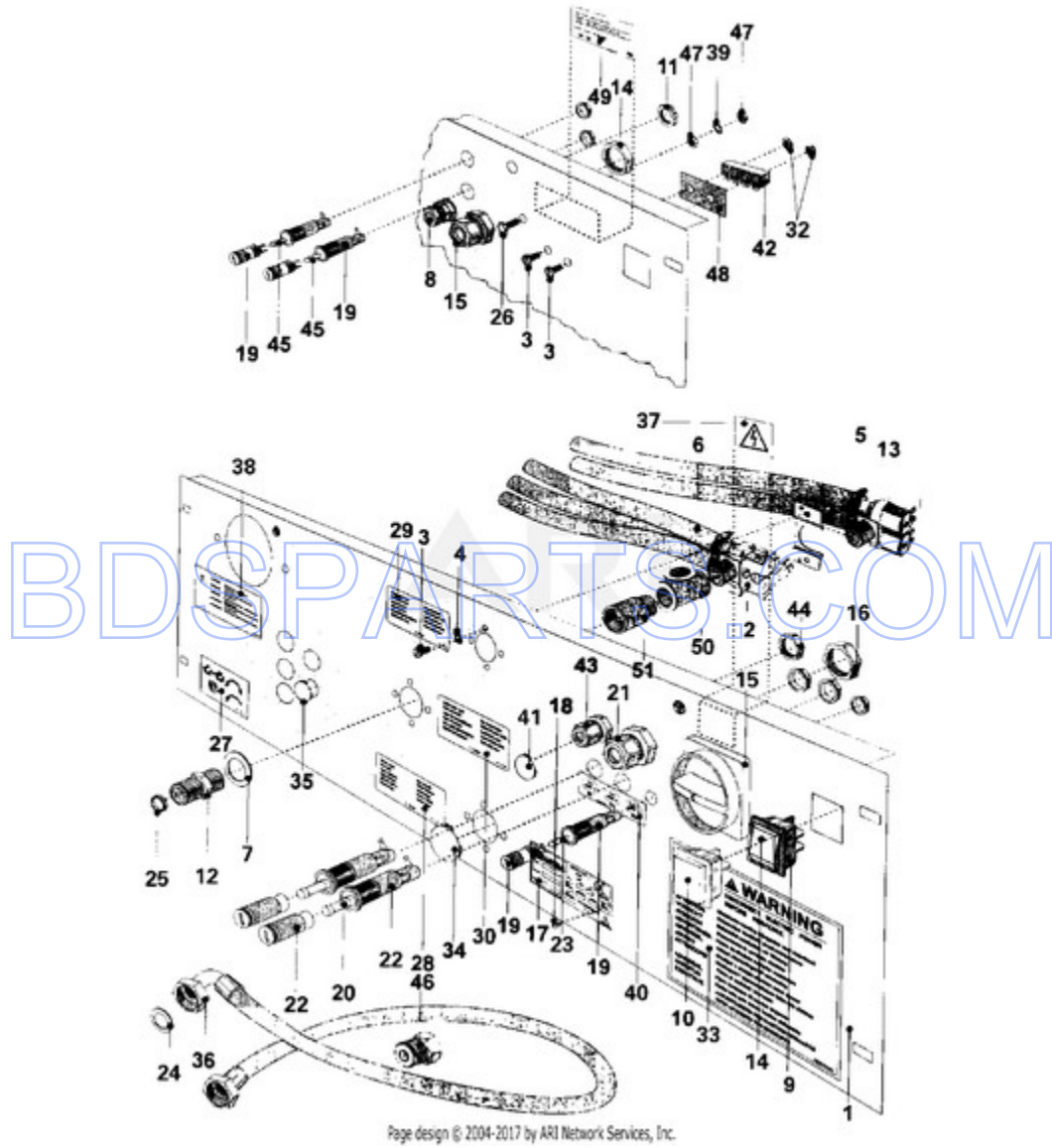


Ref #	Part #	Description	Qty	Context	Note	MSRP
1	23001094	BRIDGE, RECTIFIER	2	Series	11	
2	23001096	CAPACITOR (60MF)	1	Series	11	
2	23001097	CAPACITOR (100MF)	3	Series	11	
2	23001098	CAPACITOR (130MF)	2	Series	11	
2	23001357	CAPACITOR (25MF)	3	Series	11	
2	23001358	CAPACITOR (30MF)	2	Series	11	
3	23001099	PC BOARD SOCKET	2	Series	11	
4	23001100	CONTACTOR (LC1-D0901 M7)	2	Series	11	
4	23001101	CONTACTOR (LC1-D1201 M7)	2	Series	11	
4	23001547	CONTACTOR	2	Series	11	
4	23003750	CONTACTOR LC1 DO9	1	Series	21	
4	23003751	CONTACTOR LC1 D12	2	Series	21	
5	23001102	CONTACTOR (LC1-D1801 M7)	1	Series	11	
5	23001103	CONTACTOR (LC1-D3201 M7)	1	Series	11	
6	23001104	AUXILIARY CONTACT (1NO-1NC)	1	Series	11	
7	23001106	RELAY, THERMAL OVERLOAD (4-6A)	1	Series	11	
7	23001108	RELAY, THERMAL OVERLOAD (7-10A)	1	Series	11	
7	23001359	RELAY, THERMAL OVERLOAD(2.5-4A)	1	Series	11	
7	23002101	RELAY, OVERLOAD (LR2-D1312)	1	Series	11	
7	23003755	Overload relay LR2D	1	Series	21	
7	23003756	OVERLOAD RELAY 4-6A	1	Series	21	
7	23003757	OVERLOAD RELAY 5.5-8A	1	Series	21	
7	23003758	Overload relay LR2D	1	Series	21	
9	23001110	TIMER, REVERSING (PR1840)	1	Series	11	
10	23001360	SWITCH, WATER LEVEL	1	Series	11	
10	23001513	SWITCH, WATER LEVEL	1	Series	11	
10	23003333	SWITCH, WATER LEVEL	1	Series	11	
11	23002460	THERMOSTAT (4 TEMP)	1	Series	11	
14	23001114	ROCKER SWITCH, PREWASH/NO PREW	1	Series	11	
15	23001115	INSULATION PAPER	1	Series	11	
17	23001117	RING, RUBBER (DIA. 25)	1	Series	11	
18	23001118	STICKER, LIQUID SOAP	1	Series	11	
19	23002423	SCREW (M4X10)	4	Series	11	
20	23002111	WASHER (4)	4	Series	11	
21	23002398	SCREW (M4X16)	4	Series	11	
22	23002399	NUT(M4)	6	Series	11	
23	23001119	MECHANICAL INTERLOCK, CONTACTO	1	Series	11	
23	23003762	MECHANICAL INTERLOCK	1	Series	21	

<b>Ref #</b>	<b>Part #</b>	<b>Description</b>	<b>Qty</b>	<b>Context</b>	<b>Note</b>	<b>MSRP</b>
24	23002952	SCREW (M4X4)	4	Series	11	
25	23002806	SCREW (M6X25)	3	Series	11	
26	23001515	NUT (M6)	9	Series	11	
27	23001734	WASHER (M6)	3	Series	11	
28	NLA	NET FILTER	2	Series	11	
29	23002348	TRANSFORMER, CONTROL CIRCUIT	1	Series	11	
30	23002959	CONNECTOR	1	Series	11	
32	23001465	STICKER, ELECTRICITY WARNING	1	Series	11	
33	23002955	BUZZER	1	Series	11	
34	NLA	STICKER	1	Series	11	
35	NLA	LABEL, EARTH	2	Series	11	
36	23001138	BUSHING, CABLE PASSAGE	2	Series	11	
37	23002154	BOARD, TERMINAL (6 POLES)	1	Series	11	

BDSPARTS.COM

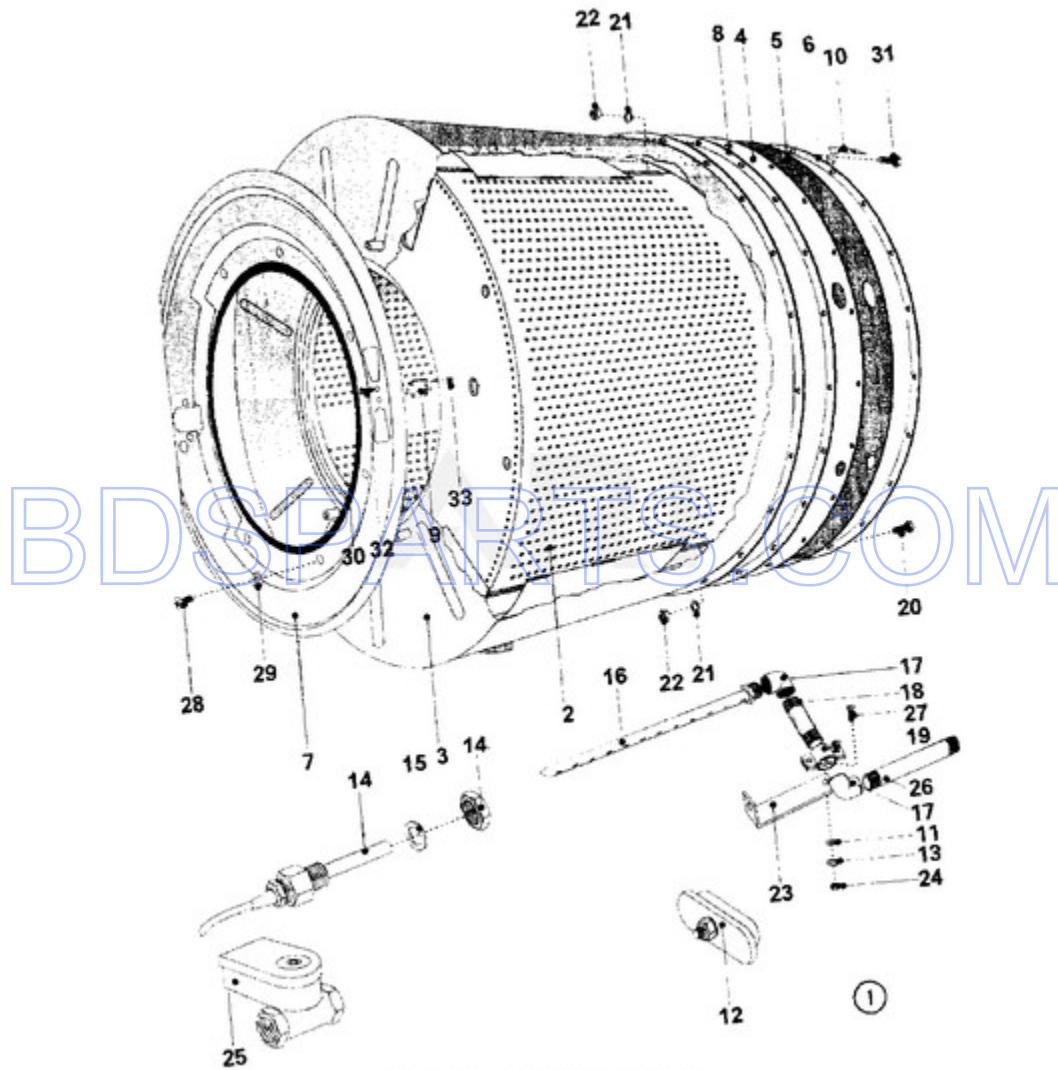
MFR25MCATS - 18 - WATER VALVE & REAR PANEL (SERIES 11)



Ref #	Part #	Description	Qty	Context	Note	MSRP
1	23003320	BRIDGE, REAR	1	Series	11	
1	23003321	BRIDGE, REAR (USA)	1	Series	11	
2	23001533	VALVE, THREE-WAY	1	Series	11	
2	23003322	VALVE, THREE-WAY (115V 60HZ)	1	Series	11	
3	23002423	SCREW (M4X10)	8	Series	11	
5	23001506	CLAMP, HOSE	5	Series	11	
6	23001507	WATERHOSE (GREEN)	6	Series	11	
8	23002196	SWIVEL, CABLE	1	Series	11	
9	23001529	BUTTON (RAPID ADVANCE)	1	Series	11	
10	23001452	PLUG (WHT)	1	Series	11	
11	23002197	NUT	1	Series	11	
13	23001455	VALVE, TWO WAY (220V 50/60HZ)	2	Series	11	
13	23001456	VALVE, TWO WAY (115V 60HZ)	2	Series	11	
17	23003323	PLATE, ID (USA)	1	Series	11	
18	23001461	RIVETS, BLIND	2	Series	11	
19	23001462	HOLDER, FUSE	1	Series	11	
20	23002918	FUSE (1A)	2	Series	11	
24	23002921	WASHER, FILL HOSE	2	Series	11	
28	NLA	PLATE, INDEX ``HOT WATER``	1	Series	11	
29	NLA	PLATE, INDEX (COLD HARD WATER)	1	Series	11	
30	NLA	PLATE, INDEX (COLD SOFT WATER)	1	Series	11	
31	23001509	STICKER, PIPE THREAD	1	Series	11	
34	23001476	PLUG, WATER INLET	1	Series	11	
35	NLA	PLUG (13)	5	Series	11	
36	23001486	HOSE, CONNECTION	1	Series	11	
36	23001523	HOSE, CONNECTION	1	Series	11	
42	23001113	CONNECTOR HOUSING (4 POLE)	1	Series	11	
43	23002196	SWIVEL, CABLE	1	Series	11	
44	23002197	NUT	1	Series	11	
45	23002918	FUSE (1A)	2	Series	11	
46	23001477	ADAPTER (3/4`` PIPE TO 3/4`` HOS	3	Series	11	
47	23001312	NUT (M6)	2	Series	11	
48	23001115	INSULATION PAPER	1	Series	11	
49	NLA	LABEL, TERMINAL	1	Series	11	
50	23001485	TEE, 3/4`` PIPE THREAD (BRASS)	1	Series	11	
51	23001484	EXTENSION, BRASS PIPE THREAD	1	Series	11	
52	23001482	NIPPLE (3/4`` PIPE THREAD)	1	Series	11	
53	23001483	WASHER (DIA. 40 X 6.5 X 3)	1	Series	11	
54	23001532	COVER, BUTTON (PLASTIC)	1	Series	11	

Ref #	Part #	Description	Qty	Context	Note	MSRP
55	23001731	SWITCH, MAIN (63A)	1	Series	11	
55	23002914	SWITCH, MAIN (20A)	1	Series	11	
55	23002915	SWITCH, MAIN (32A)	1	Series	11	
55	23002916	SWITCH, MAIN (80A)	1	Series	11	
56	23002212	NUT	1	Series	11	
57	NLA	SWIVEL	1	Series	11	
58	23002210	HOLDER, FUSE	2	Series	11	
59	23002919	FUSE (5A)	1	Series	11	
60	23002921	WASHER, FILL HOSE	6	Series	11	
61	23002922	FILTER	3	Series	11	
62	23003326	BOLT (M6X25)	1	Series	11	
63	23001158	WASHER (M6)	1	Series	11	
64	23001055	NUT (M4)	2	Series	11	
65	NLA	LABEL (ELEC. WARNING)	1	Series	11	
66	23002920	PLATE, INDEX (FLASH)	1	Series	11	
67	23002053	LABEL, WARNING VENT OUT	1	Series	11	
68	23001468	STICKER, SPIN DIRECTION	1	Series	11	
69	23003328	STICKER (1A 400V)	1	Series	11	
69	NLA	STICKER (1A)	1	Series	11	
70	23002243	PLUG, UNIVERSAL	1	Series	11	

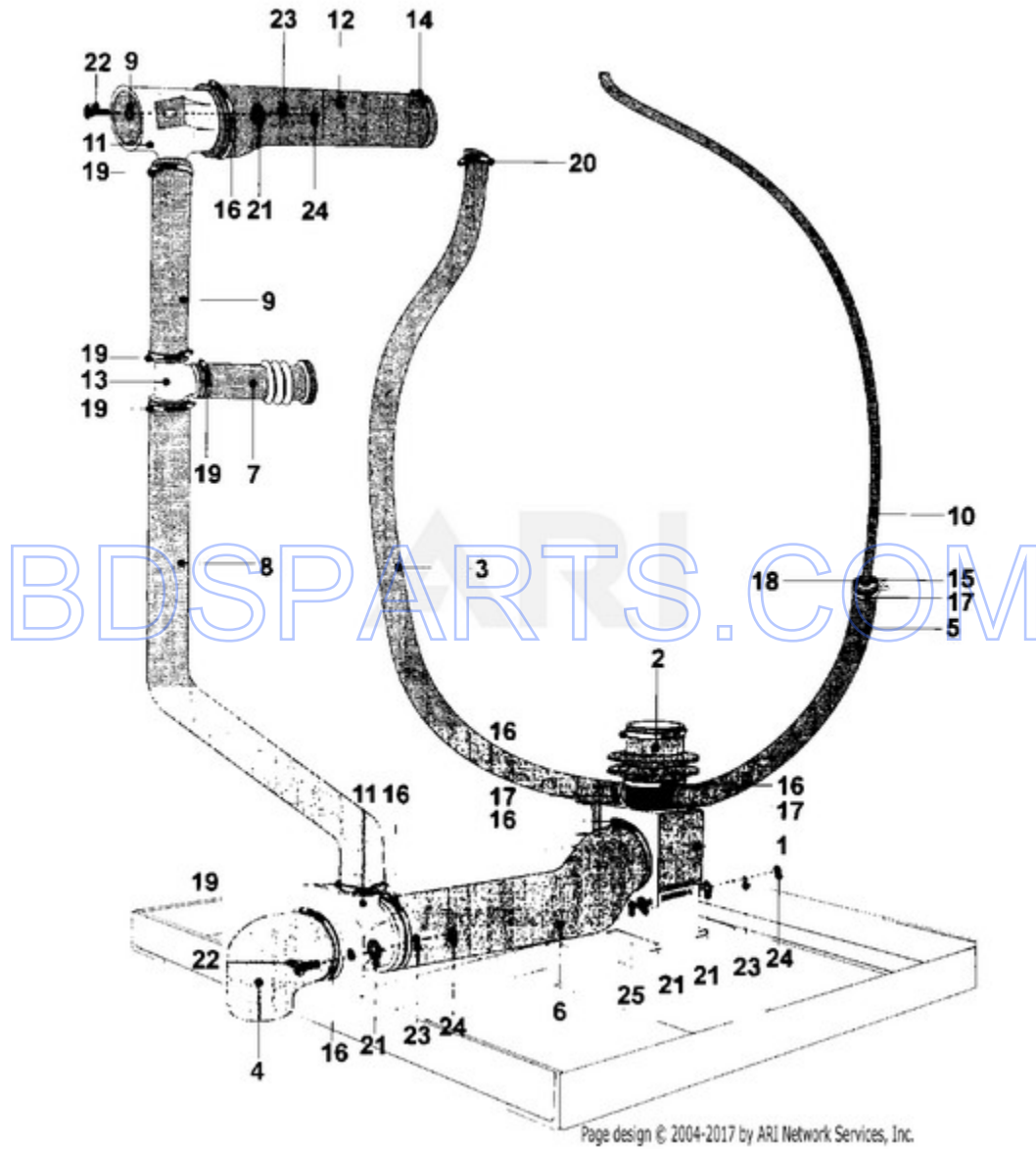
MFR25MCATS - 19 - BASKET & OUTER SHELL ASSY. (SERIES 11)





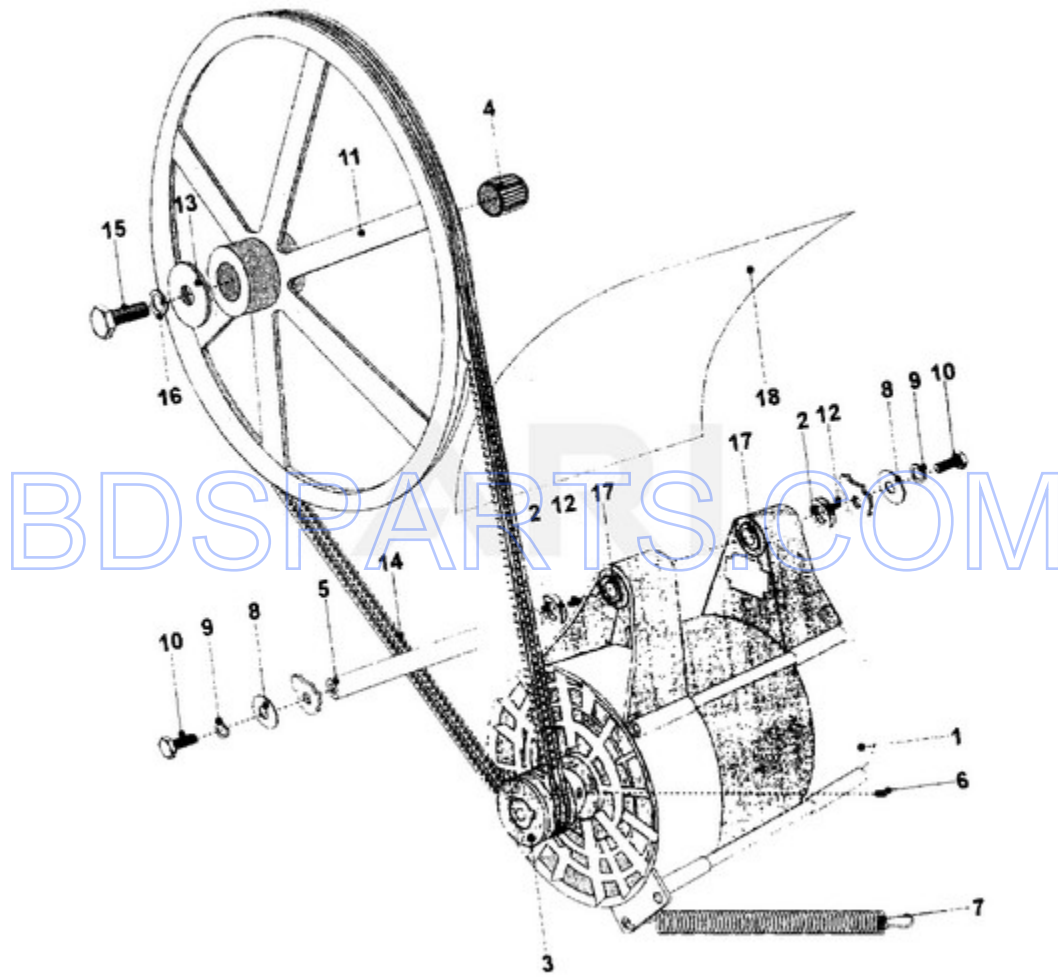
Ref #	Part #	Description	Qty	Context Note	MSRP
1	NLA	TUB (COMPLETE)	1	Series 11	
2	23003336	DRUM/SHAFT	1	Series 11	
3	23003338	TUB	1	Series 11	
4	23003340	BASE PLATE	1	Series 11	
4	NLA	PLATE, BACK (STNLS STEEL)	1	Series 11	
5	23001383	PLATE, BACK (IRON)	1	Series 11	
6	NLA	RING	1	Series 11	
7	NLA	SHIELD	1	Series 11	
8	23001386	GASKET, SHELL (REAR)	1	Series 11	
9	23001200	HINGE, MIRCO SWITCH	1	Series 11	
10	23001206	BRACKET, MOTOR HARNESS	1	Series 11	
11	23001708	WASHER (5.3)	1	Series 11	
12	23001594	BLIND, HEATING ELEMENT	3	Series 11	
13	23001333	LOCK WASHER (M5) LU	1	Series 11	
14	23001592	ADAPTOR	1	Series 11	
15	23002179	WASHER	1	Series 10	
16	NLA	INJECTOR (LOW PRESSURE)	1	Series 10	
17	NLA	ELBOW (1/2``)	2	Series 11	
18	NLA	TUBE (1/2``)	1	Series 11	
19	NLA	CLAMP, STEAM TUBE	1	Series 10	
20	23002847	SCREW (M8X45)	12	Series 10	
21	23002358	WASHER (M8)	12	Series 10	
22	23001607	NUT (M8)	12	Series 10	
23	NLA	CLAMP, SUPPORT	1	Series 10	
24	23002466	NUT (M5)	1	Series 11	
25	NLA	VALVE, STEAM (1/2``)	1	Series 11	
27	23002894	SCREW (M5X15)	1	Series 11	
28	23002617	SCREW (M4X8)	4	Series 11	
29	23001204	WASHER, FINISHING (DIA. 5)	4	Series 11	
30	23001088	RUBBER TRIM	1	Series 11	
31	23002646	SCREW (M8X40)	1	Series 11	
32	23002398	SCREW (M4X16)	2	Series 11	
33	23002399	NUT(M4)	2	Series 11	

MFR25MCATS - 20 - DRAIN & HOSE ASSEMBLY (SERIES 11)



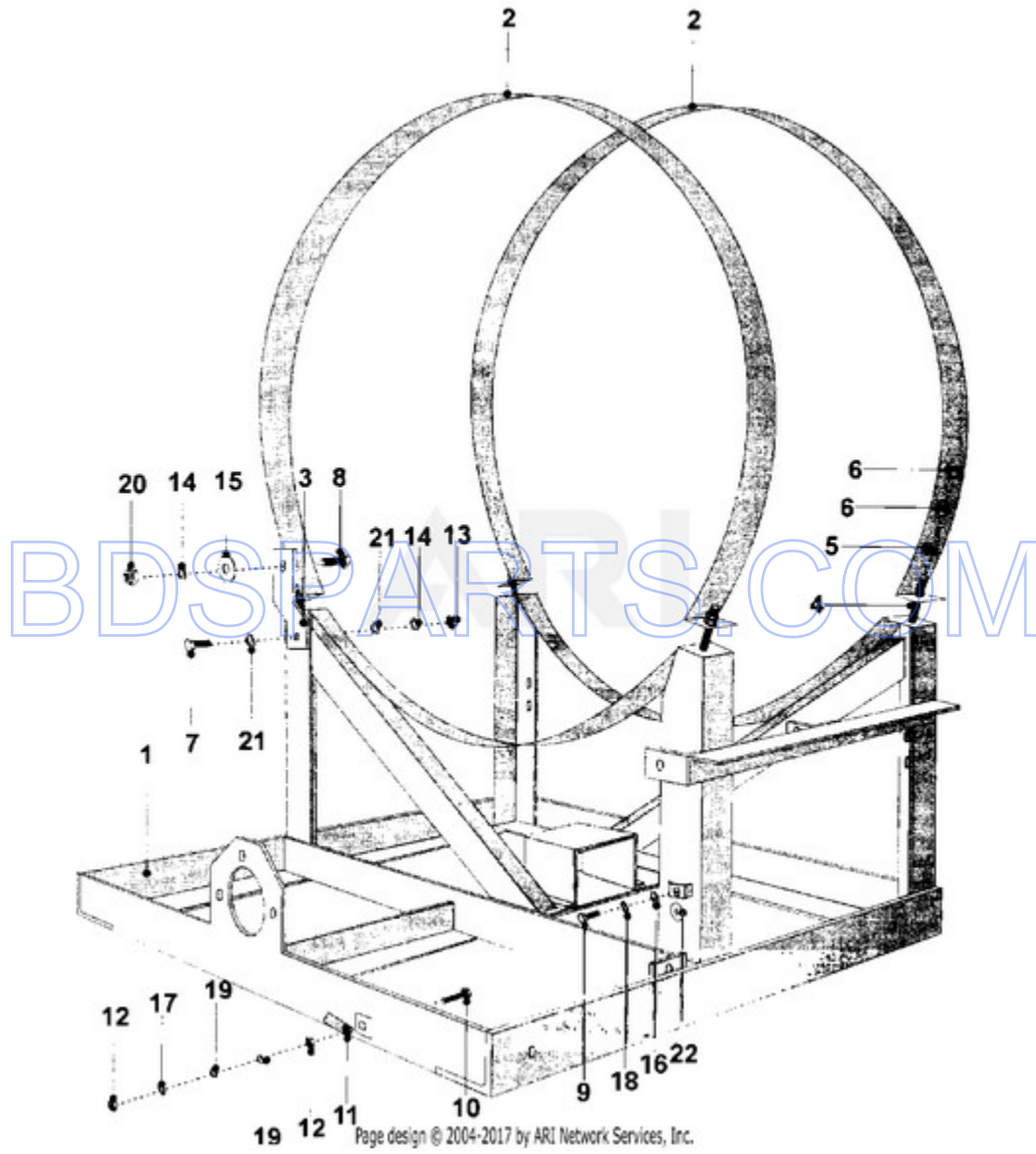
Ref #	Part #	Description	Qty	Context Note	MSRP
1	23001244	VALVE, DRAIN (240V-50/60HZ)	1	Series 11	
1	23001402	VALVE, DRAIN (115V 60HZ)	1	Series 11	
2	23002907	TUB, OUTLET VALVE HOSE	1	Series 11	
3	23001246	HOSE, BOTTOM FILL	1	Series 11	
4	23003245	ELBOW, 90 DEGREE	1	Series 11	
5	23001247	HOSE, AIR DOME (30 CM)	1	Series 11	
6	23001248	HOSE, DRAIN	1	Series 11	
7	23001250	HOSE, AIR VENT	1	Series 11	
8	23001251	HOSE, OVERFLOW	1	Series 11	
9	23001203	WASHER (DIA. 16 X 8.4 X 1.6)	2	Series 11	
10	23001252	HOSE, WATER LEVEL SWITCH	1	Series 11	
11	23001253	DRAIN TEE	2	Series 11	
12	23001254	AIR VENT HOSE, SOAP BOX	1	Series 11	
13	23001255	TEE, OVERFLOW HOSE	1	Series 11	
14	23001256	CLAMP, HOSE (60-80)	1	Series 11	
15	23001257	CLAMP, CORBIN (A5.5)	1	Series 11	
16	23001258	CLAMP, HOSE (70-90)	6	Series 11	
17	23001259	CLAMP, CORBIN (A17.5)	3	Series 11	
18	23001260	BUSHING, AIR DOME HOSE	1	Series 11	
19	23001261	CLAMP, HOSE (32-50)	5	Series 11	
20	23001262	CLAMP, HOSE (20-32)	1	Series 11	
21	23002437	WASHER M8	8	Series 11	
22	23001264	BOLT M8X20	4	Series 11	
23	23002358	WASHER (M8)	6	Series 11	
24	23002435	NUT (M8)	6	Series 11	
25	23002908	SCREW (M8X120)	2	Series 11	

MFR25MCATS - 21 - MOTOR & BASKET PULLEY (SERIES 11)



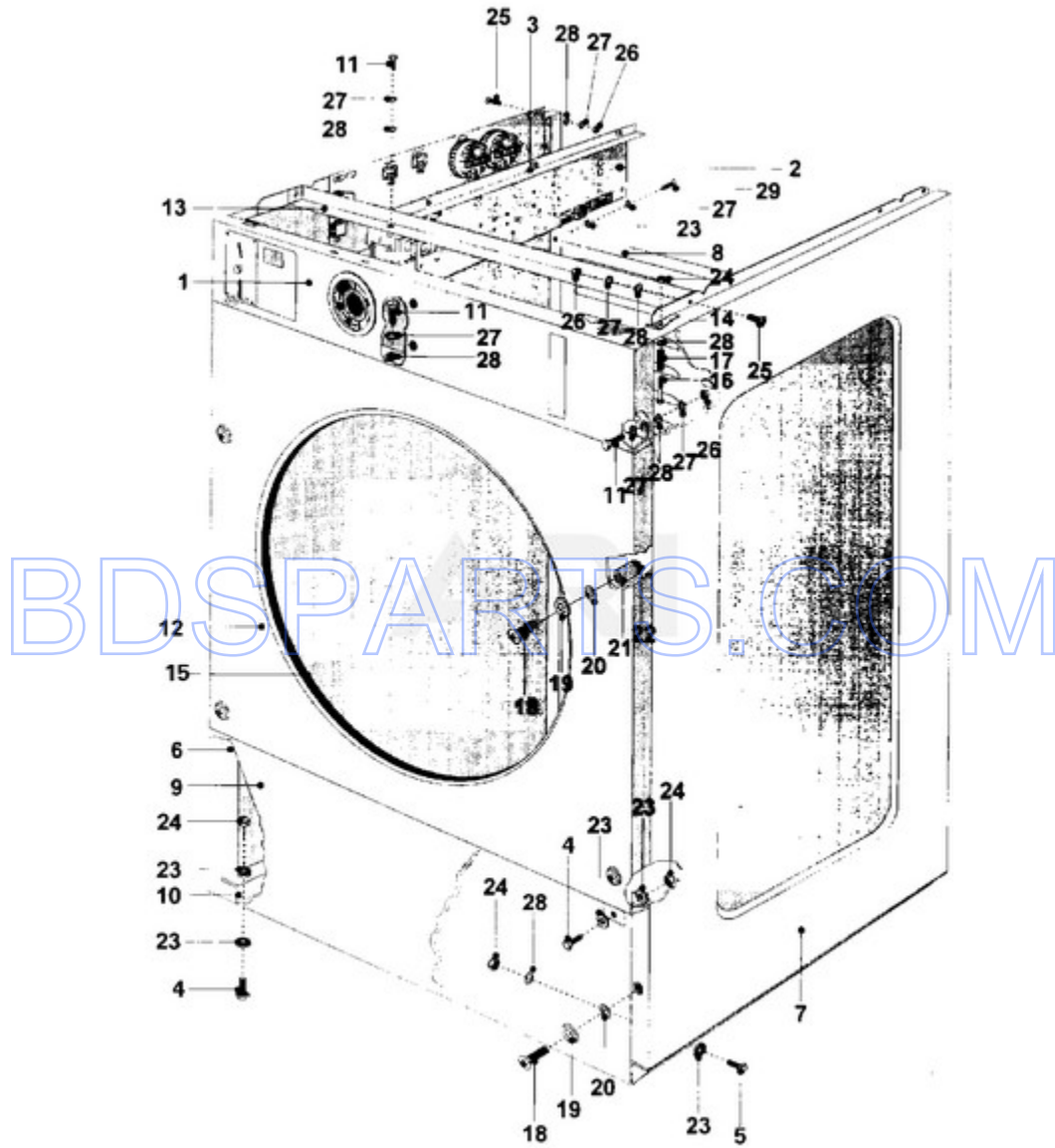
Ref #	Part #	Description	Qty	Context	Note	MSRP
1	23001406	MOTOR (THREE PHASE 240/208V)	-	Series	11	
1	23001407	MOTOR (SINGLE PHASE)	1	Series	11	
2	23003329	RING, SLIDING	2	Series	11	
3	23001409	V-PULLEY (DIA. 53 60HZ)	1	Series	11	
4	23001410	RING, TOLERANCE (DIA. 28)	1	Series	11	
5	23003330	SHAFT, MOTOR	1	Series	11	
6	23002929	SCREW, SOCKET SET (M8X10)	2	Series	11	
7	23001413	MOTOR, SPRING	1	Series	11	
8	23002655	WASHER (10/5)	2	Series	11	
9	23001400	LOCK WASHER, SPRING	2	Series	11	
10	23001905	BOLT M10X25	2	Series	11	
11	23001415	PULLEY, BASKET	1	Series	11	
12	23003267	SCREW (M5X6)	2	Series	11	
13	23001282	WASHER (DIA. 37 X 13 X 3)	1	Series	11	
14	23001417	V-BELT	2	Series	11	
15	23003332	BOLT (M12-1.75 X 25)	1	Series	11	
16	23002658	WASHER (12)	1	Series	11	
17	23001420	MOTOR, SUSPENSION RUBBER	2	Series	11	
18	NLA	COVER, PLASTIC	1	Series	11	

MFR25MCATS - 22 - BASE FRAME (SERIES 11)



Ref #	Part #	Description	Qty	Context	Note	MSRP
1	NLA	FRAME (MFR25)	1	Series	11	
2	NLA	CLAMP, TUB	2	Series	11	
3	NLA	BRACE, TUB SUPPORT	1	Series	11	
4	23003285	BOLT M10X50	4	Series	11	
5	23002654	WASHER (10)	4	Series	11	
6	23001661	NUT M10	8	Series	11	
7	23001304	BOLT (M8 X 35)	1	Series	11	
8	23002847	SCREW (M8X45)	1	Series	11	
10	23002806	SCREW (M6X25)	1	Series	11	
11	23001308	GROUNDING HARDWARE	1	Series	11	
12	23001515	NUT (M6)	2	Series	11	
13	23002435	NUT (M8)	1	Series	11	
14	23002358	WASHER (M8)	2	Series	11	
15	NLA	WASHER (DIA. 30 X 8.5 X 2.5)	1	Series	11	
17	23001734	WASHER (M6)	1	Series	11	
19	23001313	WASHER (6.4)	2	Series	11	
20	23002435	NUT (M8)	1	Series	11	
21	23001203	WASHER (DIA. 16 X 8.4 X 1.6)	2	Series	11	
22	NLA	PLATE, INDEX	1	Series	11	
23	23002462	SCREW (M6 X 20) LU	1	Series	11	

MFR25MCATS - 23 - CABINET (SERIES 11)

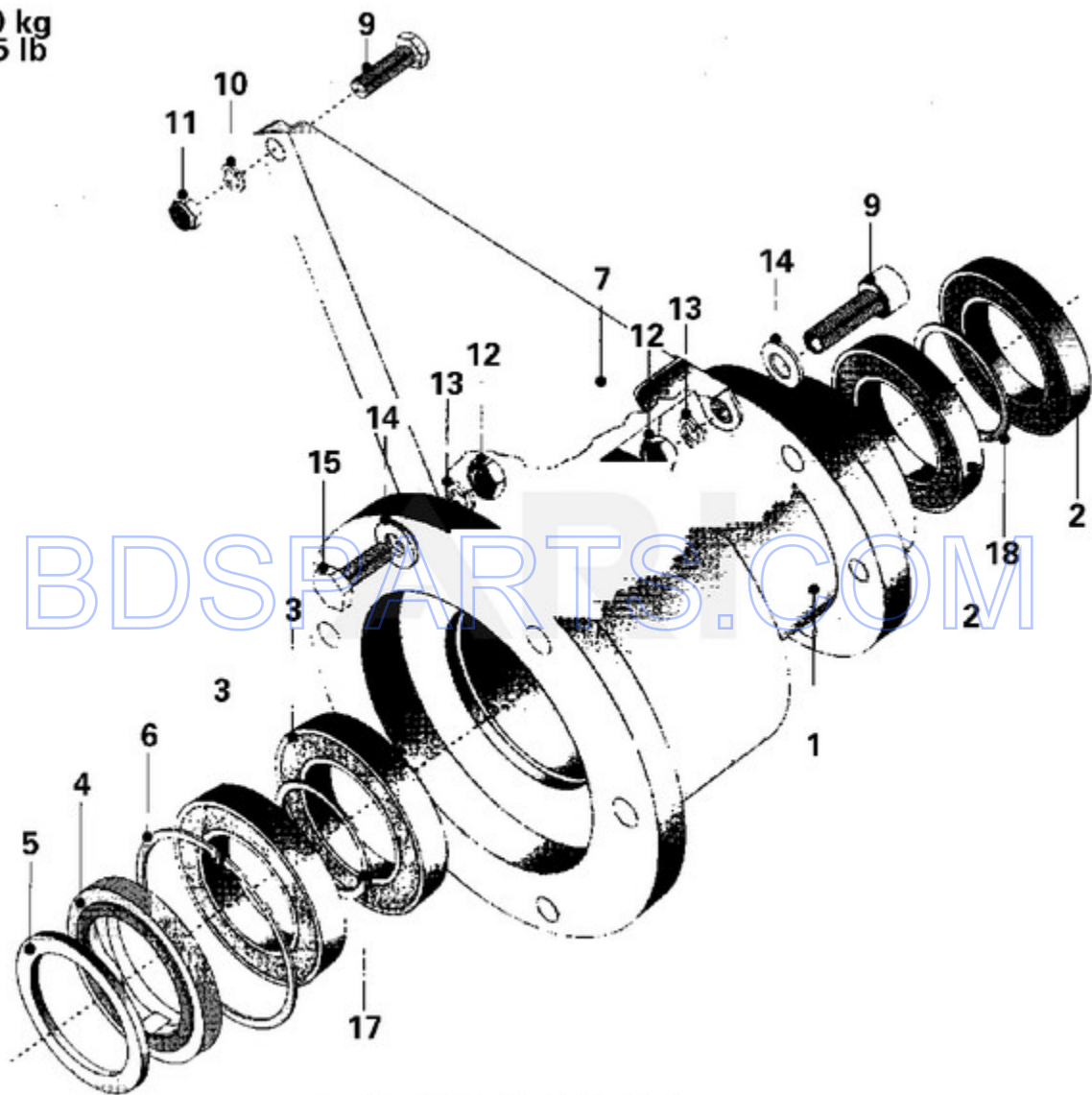




Ref #	Part #	Description	Qty	Context	Note	MSRP
1	23003287	PANEL, CONTROL	1	Series	11	
2	NLA	BOX/ELECTRICAL COMPONENTS	1	Series	11	
3	NLA	HOLDER, ELEC. COMPONENT BOX	1	Series	11	
4	23002462	SCREW (M6 X 20) LU	4	Series	11	
5	23001335	BOLT (M6X25)	4	Series	11	
6	23003292	PANEL, SIDE (LT)	1	Series	11	
7	23003294	PANEL, SIDE (RT)	1	Series	11	
8	23003296	PANEL, REAR	1	Series	11	
9	23003297	PANEL, SERVICE	1	Series	11	
10	23003299	SUPPORT, SIDE PANEL	2	Series	11	
11	23002354	SCREW (M6X16)	24	Series	11	
12	NLA	FRONT PANEL, 26X27 1/2	1	Series	11	
13	NLA	HOLDER, COMPONENTS	1	Series	11	
14	23001442	COVER, HOOK	2	Series	11	
15	23001088	RUBBER TRIM	1	Series	11	
16	23002463	SCREW (M6X30)	2	Series	11	
17	23001445	COVER, SPRING	2	Series	11	
18	23001446	SCREW (M5 X 50 STNLS STEEL)	6	Series	11	
19	23001204	WASHER, FINISHING (DIA. 5)	6	Series	11	
20	23001447	WASHER, FIBER (12 X 6 X 2)	6	Series	11	
21	23002860	TUBE, DISTANCE	4	Series	11	
22	23001448	NUT, RAPID (M5)	3	Series	11	
23	23001309	WASHER (6.4) LU	20	Series	11	
24	23002471	NUT	10	Series	11	
25	NLA	BOLT (M6X16)	5	Series	11	
26	23002651	NUT (M6)	9	Series	11	
27	23001734	WASHER (M6)	33	Series	11	
28	23001027	WASHER (DIA. 12 X 6.5 X 1.6)	35	Series	11	

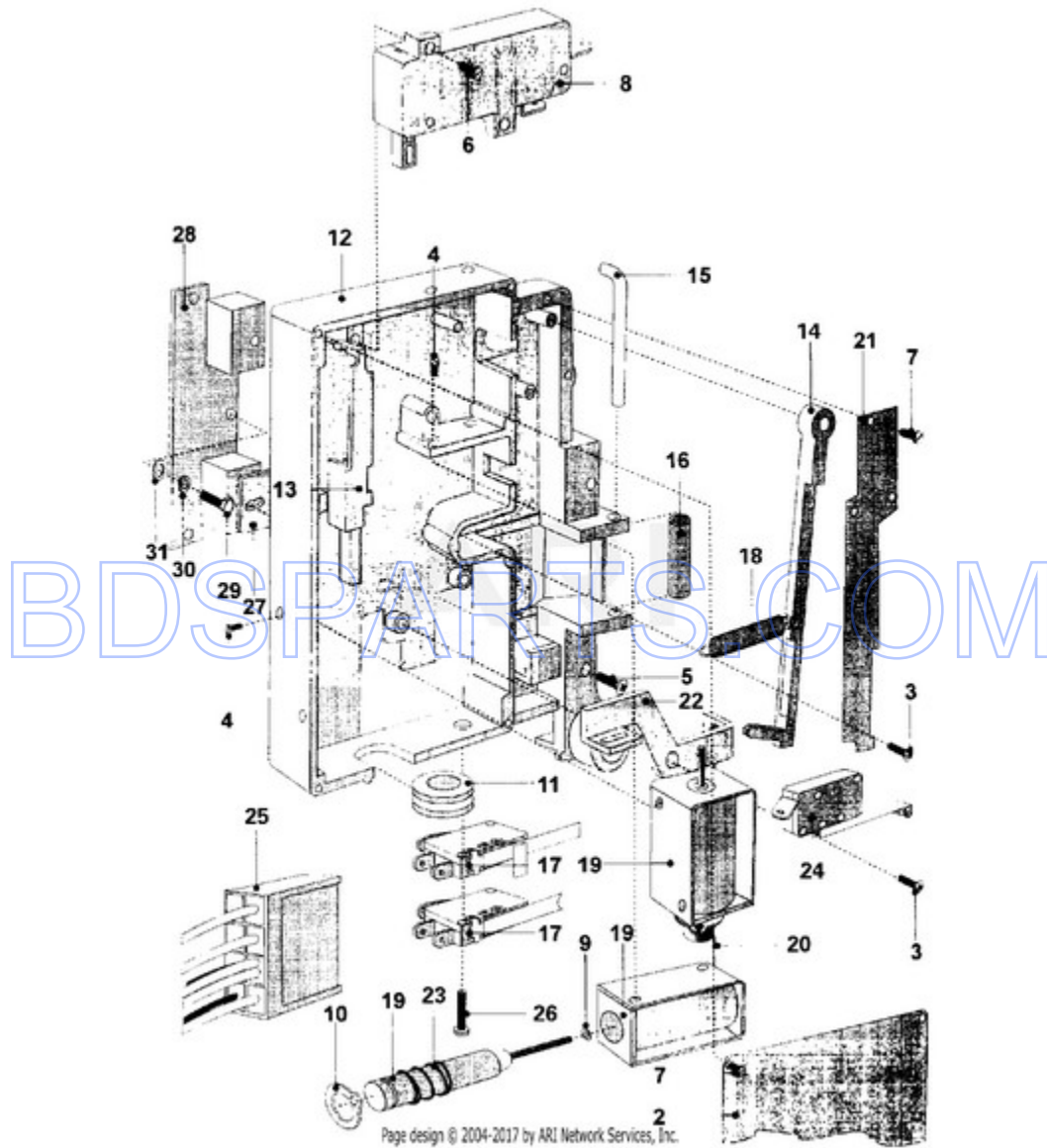
MFR25MCATS - 24 - BEARINGS & TRUNNION ASSY. (SERIES 11)

10 kg  
25 lb



Ref #	Part #	Description	Qty	Context	Note	MSRP
1	23001230	TRUNNION (CASTING ONLY)	1	Series	11	
2	23001232	BEARING (REAR)	2	Series	11	
3	23001231	BEARING (6209 2RS C3)	2	Series	11	
4	23001234	SEAL, WATER	1	Series	11	
5	23001233	RING, SEAL	1	Series	11	
6	23001235	RING, INTERNAL SNAP	1	Series	11	
7	23003369	SPOKE	6	Series	11	
8	23001661	NUT M10	12	Series	11	
9	23001239	BOLT (M10 X 40)	6	Series	11	
10	23002358	WASHER (M8)	6	Series	11	
11	23001607	NUT (M8)	6	Series	11	
12	23001661	NUT M10	6	Series	11	
13	23001400	LOCK WASHER, SPRING	12	Series	11	
14	23001201	WASHER (DIA. 22X11X1 BRASS)	12	Series	11	
15	23001374	BOLT (M6 X 20)	6	Series	11	
16	23003355	NUT (M8)	6	Series	11	
17	23001236	SPACER RING (FRONT BEARING)	1	Series	11	
18	23001237	SPACER RING (REAR BEARING)	1	Series	11	
19	23002938	TRUNNION (35LBS) ITEMS 1,2,3,&6	1	Series	11	

MFR25MCATS - 25 - DOOR LOCK ASSEMBLY (SERIES 11)



Ref #	Part #	Description	Qty	Context	Note	MSRP
1	23003679	DOOR LOCK ASSY.(120V 60HZ)	1	Series	11	
1	Y23002897	DOOR LOCK ASSY.(220V 50/60HZ)	-	Series	11	
2	23001130	PLATE, COVER (STNLS STEEL)	1	Series	11	
3	23001131	SCREW (M3 X 14 CROSS RECESSED)	3	Series	11	
4	23001132	SCREW (M3 X 4 CROSS RECESSED)	4	Series	11	
5	23001133	SCREW (M5X25 STAINLESS STEEL	2	Series	11	
6	NLA	PLATE, BACK-UP	2	Series	11	
7	23001134	BOLT (M3 X 6)	7	Series	11	
8	23001135	BIMETAL, ACTUATOR (230V)	11	Series	11	
9	23001136	WASHER (DIA. 5.1 X 3.3 X 0.1)	2	Series	11	
10	23001137	RING, RETAINING (G10)	1	Series	11	
11	23001138	BUSHING, CABLE PASSAGE	1	Series	11	
12	Y23002898	GROUND, PLATE LOCK	3	Series	11	
13	23001140	BAR, LOCKING	1	Series	11	
14	23002899	HANDLE, LOCKING PART	1	Series	11	
15	23001142	RETAINER, LOCK TUBE (DIA.4X45)	1	Series	11	
16	23001143	LOCK TUBE (DIA. 4X23.5 STNLS)	1	Series	11	
17	23001144	MICROSWITCH, SHORT LEVER	2	Series	11	
18	23002900	SPRING, LOCKING PART	1	Series	11	
19	23001146	COIL (240V)	1	Series	11	
19	23001147	COIL (120V)	1	Series	11	
20	23002901	CORD, OPENING	1	Series	11	
21	23001149	LEAF SPRING, LATCH BAR	1	Series	11	
22	NLA	LEVEL, OPENING	1	Series	11	
23	23002903	SPRING, LOCKING PART	1	Series	11	
24	23002337	MICROSWITCH W/ ROLLER ARM	1	Series	11	
25	23002904	WIRING, DOOR LOCK	1	Series	11	
25	NLA	WIRING, DOOR LOCK	1	Series	11	
26	23002906	SCREW (M3X25)	2	Series	11	
27	23001155	SHIM	1	Series	11	
28	23001156	SPACER, LOCK	1	Series	11	
29	23002353	SCREW (M6X12)	3	Series	11	
30	23001158	WASHER (M6)	3	Series	11	
31	23001159	WASHER (DIA. 14X8.6X1 STNLS)LU	3	Series	11	