

# WASHER

## Repair Parts List

MODEL NUMBER

MFR25PCATS

BDSPARTS.COM

When requesting service or ordering parts, always provide the following information:

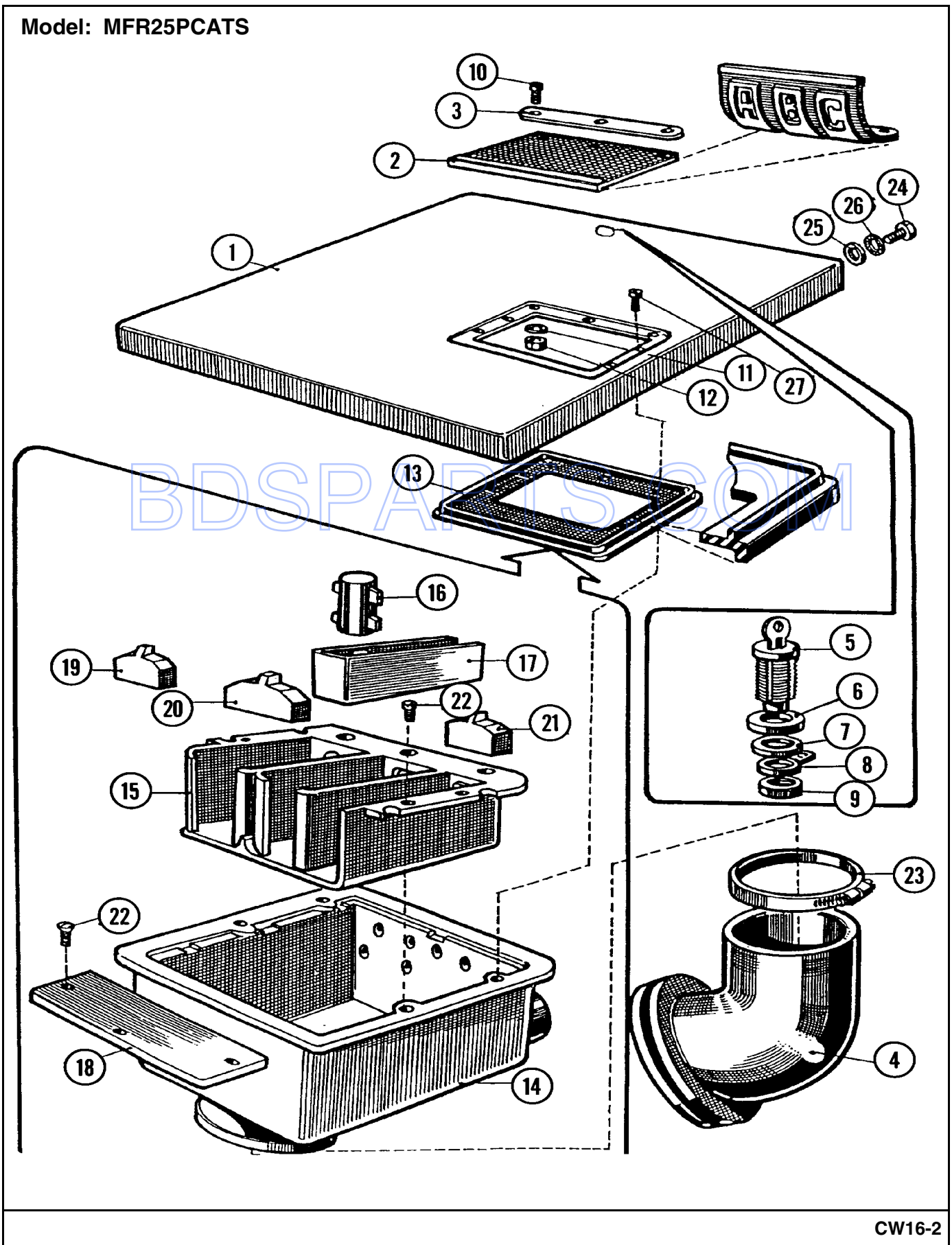
- Product Type
- Part Number
- Model Number
- Part Description

**MAYTAG**®

©2005 Maytag Services

Section: SOAP BOX & TOP COVER ASSY. (SERIES 10)

Model: MFR25PCATS



CW16-2

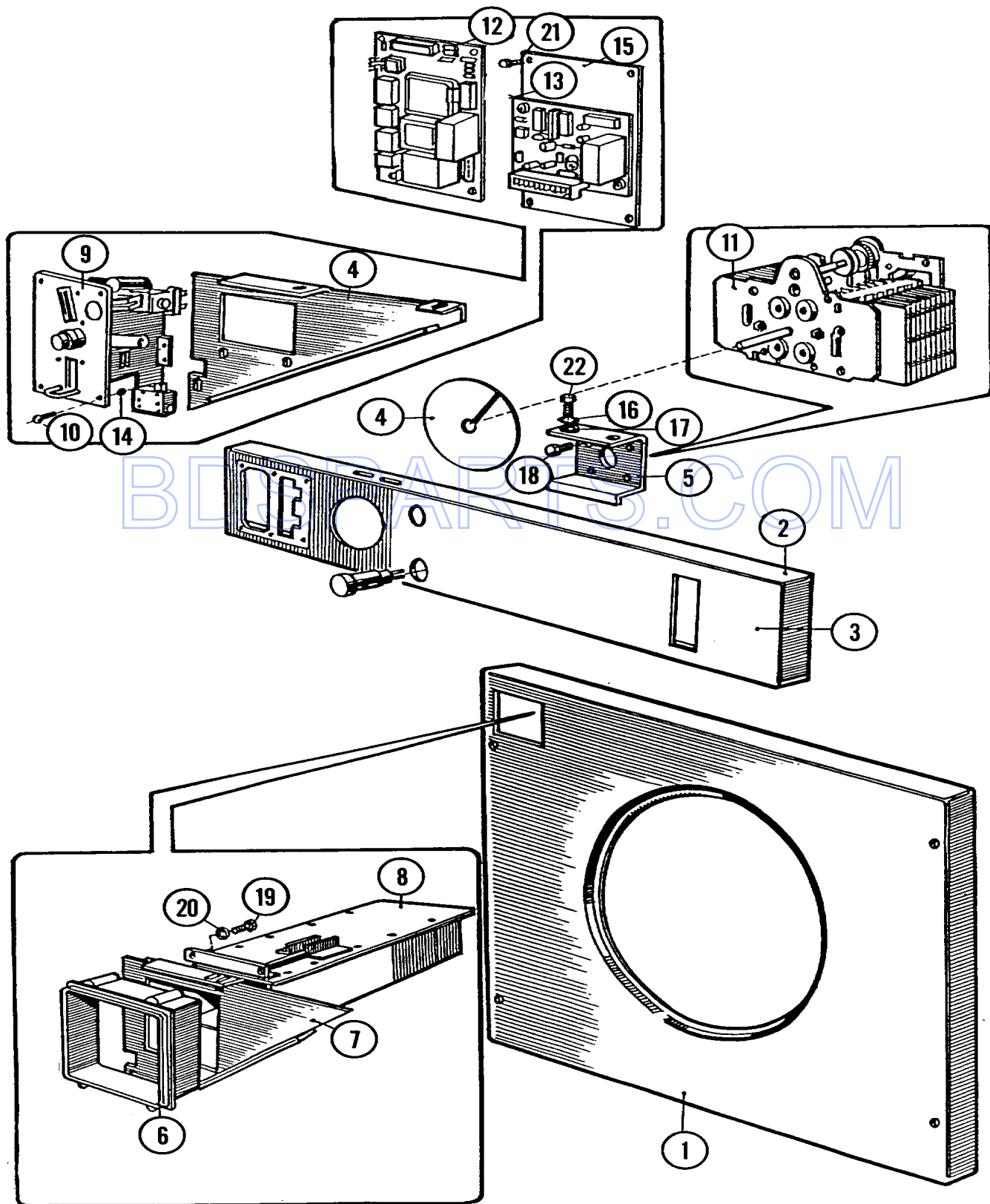
## Section: SOAP BOX & TOP COVER ASSY. (SERIES 10)

No.	Part No.	Description	Series	Qty
1	N 23001342	TOP COVER (STNLS) Note: COVER, TOP (STNLS)	10	1
2	23001003	RUBBER COVER, SOAP BOX	10	1
3	23001004	CLAMP, SOAP BOX COVER	10	1
4	23001005	RUBBER HOSE, SOAP BOX	10	1
5	23001006	LOCK, TOP PANEL	10	1
6	23001007	WASHER, FIBER	10	1
7	23001008	LOCK NUT (LARGE) Note: NUT, LOCK (LARGE)	10	1
8	23001009	LOCK HOOK (SHORT) Note: HOOK, LOCK (SHORT)	10	1
9	23001011	NUT	10	1
10	23001012	SCREW (M4 X 12 STNLS STEEL)	10	1
11	23001013	LOCK WASHER EXTERNAL TEETH M4 Note: SPRING, LOCKWASHER (M4)	10	1
12	23001014	NUT (M4)	10	1
13	23001015	RUBBER SEAL, SOAP BOX	10	1
14	23001016	SOAP BOX HOUSING Note: HOUSING, SOAP BOX	10	1
15	23001017	SOAP BOX INSERT Note: INSERT, SOAP BOX	10	1
16	23001018	SIPHON	10	1
17	23001019	TRAY	10	1
18	23001020	COVER, PLATE	10	1
19	23001021	DRAWER, PREWASH	10	1
-	23001550	LABEL, EARTH	10	1
20	23001022	DRAWER, MAIN WASH	10	1
21	23001023	DRAWER, LAST RINSE	10	1
22	23001024	SCREW Note: SCREW (DIA. 3.5 X 9.5 STNLS)	10	1
23	23001025	CLAMP, HOSE (DIA 90/110)	10	1
24	23001026	BOLT (M6 X 16)	10	1
25	23001027	WASHER (DIA. 12 X 6.5 X 1.6)	10	1
26	23001028	LOCK WASHER EXTERNAL TEETHM6LU Note: LOCKWASHER (EXTERNAL TEETH M6)	10	1
27	23001029	SCREW, FLAT HD (STLS M5X15MM) Note: SCREW (M5 X 15PK STNLS STEEL)	10	1
-	23002318	SCREW, PAN HEAD (SLOTTED)	10	1

\*Color Code (-)=Not Shown #=Series, Serial Prefix or Run No., N=Not Available

Section: TIMER & COIN ASSEMBLY (SERIES 10)

Model: MFR25PCATS



CW15-11

**Section: TIMER & COIN ASSEMBLY (SERIES 10)**

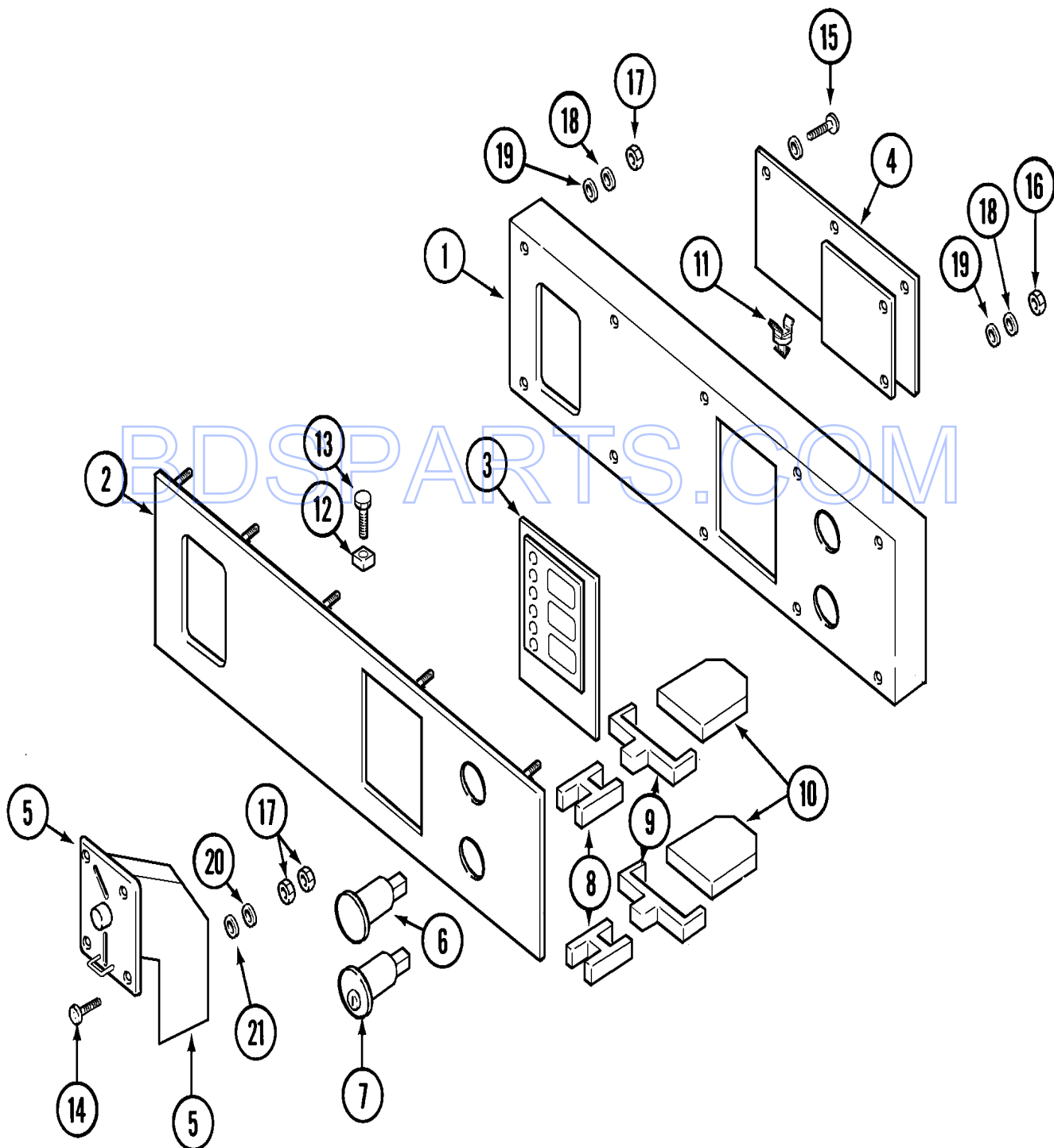
No.	Part No.	Description	Series	Qty
1	23001347	FRONT PANEL, 26X27 1/2	10	1
2	N 23001344	PLATE, BACK-UP (COIN METER)	10	1
3	N 23001490	PANEL, CONTROL	10	1
6	23001062	COLLAR, COIN VAULT	10	1
7	N 23001348	VAULT, SUPPORT COIN	10	1
8	23001349	VAULT, COIN	10	1
9	23001350	COIN METER (25 CENTS-115V) Note: METER, COIN (25 CENTS-115V)	10	1
10	23001064	ORNAMENTAL SCREW (M3 X 10) Note: SCREW, ORNAMENTAL (M3 X 10)	10	1
14	23001053	NUT (M3)	10	1
19	23001070	SCREW (M4X10)	10	1
20	23001013	LOCK WASHER EXTERNAL TEETH M4 Note: LOCKWASHER (EXTERNAL TEETH M4)	10	1
21	23001052	SCREW (M3 X 6 CROSS RECESSED)	10	1
-	23002195	PC-PN CONVERSION KIT	10	1
-	23002333	PC TO PN CONVERSION (CSA)	10	1

BDSPARTS.COM

\*Color Code (-)=Not Shown #=Series, Serial Prefix or Run No., N=Not Available

Section: CONTROL PANEL-PC (SERIES 10)

Model: MFR25PCATS



CW11-38

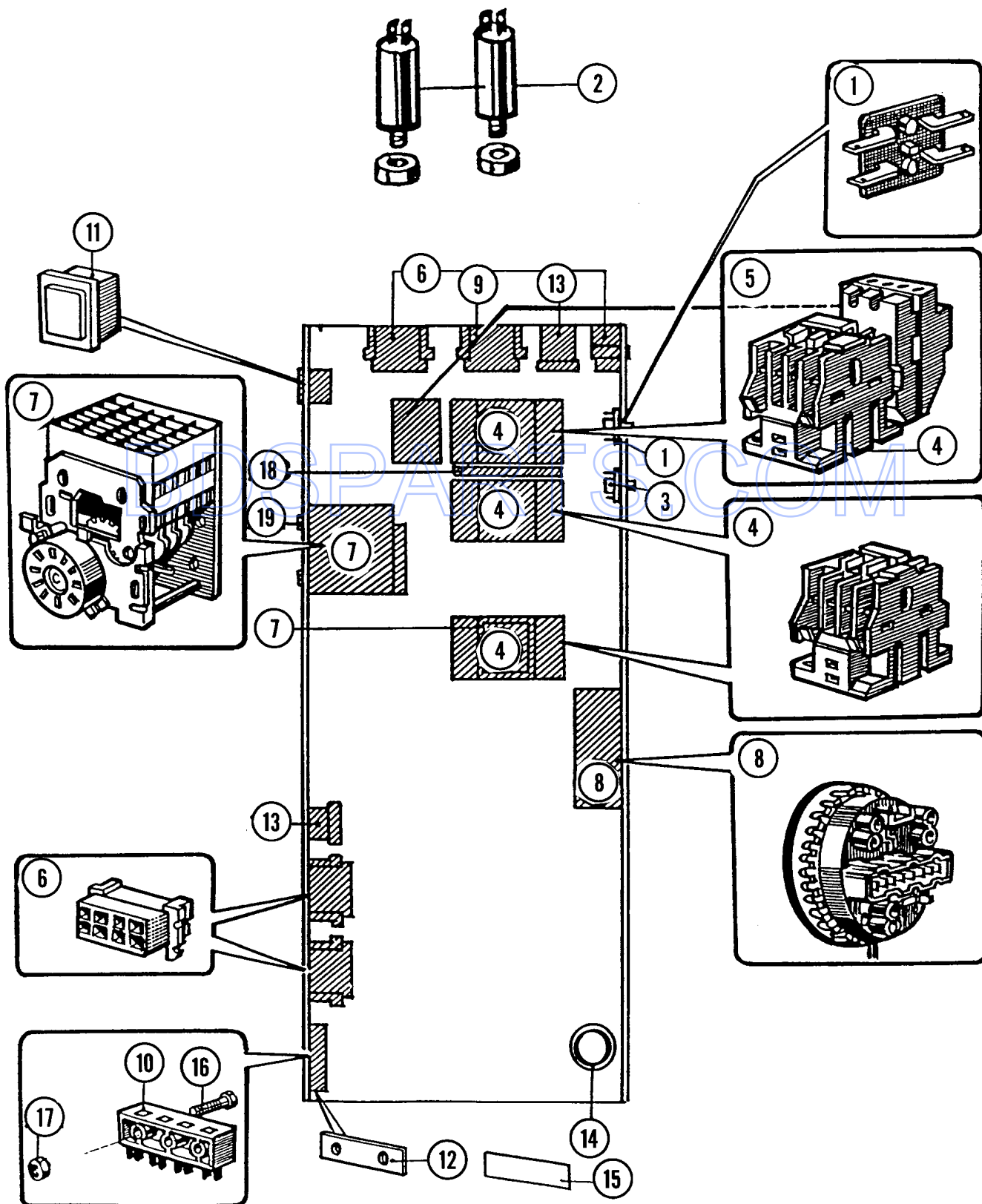
## Section: CONTROL PANEL-PC (SERIES 10)

No.	Part No.	Description	Series	Qty
1	N 23001353	PLATE, BACK-UP	10	1
2	N 23001490	PANEL, CONTROL	10	1
3	23001526	PLEXI, MICROPROCESSOR	10	1
-	23003741	CONTROLLER, APL283A V1.07	10	1
4	23001525	MICROPROCESSOR	10	1
5	23001350	COIN METER (25 CENTS-115V) Note: METER, COIN (25 CENTS-115V)	10	1
6	23001537	PUSH BUTTON Note: BUTTON, PUSH	10	1
7	23001538	KEY BLOCK Note: BLOCK, KEY	10	1
8	N 23001539	CONNECTION PART Note: PART, CONNECTION	10	1
9	23001540	ADAPTER, CONTACT BLOCK	10	1
10	23001541	BLOCK, CONTACT (ON)	10	1
11	23001542	HOLDER	10	1
12	23001339	NUT, CAGE	10	1
13	N 23001543	BOLT	10	1
14	23001064	ORNAMENTAL SCREW (M3 X 10) Note: SCREW, ORNAMENTAL (M3 X 10)	10	1
15	23001544	BOLT (M3X10)	10	1
16	23001055	NUT (M4)	10	1
17	23001053	NUT (M3)	10	1
18	23001013	LOCK WASHER EXTERNAL TEETH M4 Note: LOCKWASHER (M4)	10	1
19	23001545	WASHER	10	1
20	23001054	LOCKING WASHER Note: WASHER, LOCKING	10	1
21	23001670	WASHER (M4)	10	1
-	N 23001546	LABEL, EARTH	10	1

\*Color Code (-)=Not Shown #=Series, Serial Prefix or Run No., N=Not Available

Section: MAIN CONTROL (SERIES 10)

Model: MFR25PCATS



CW14-15



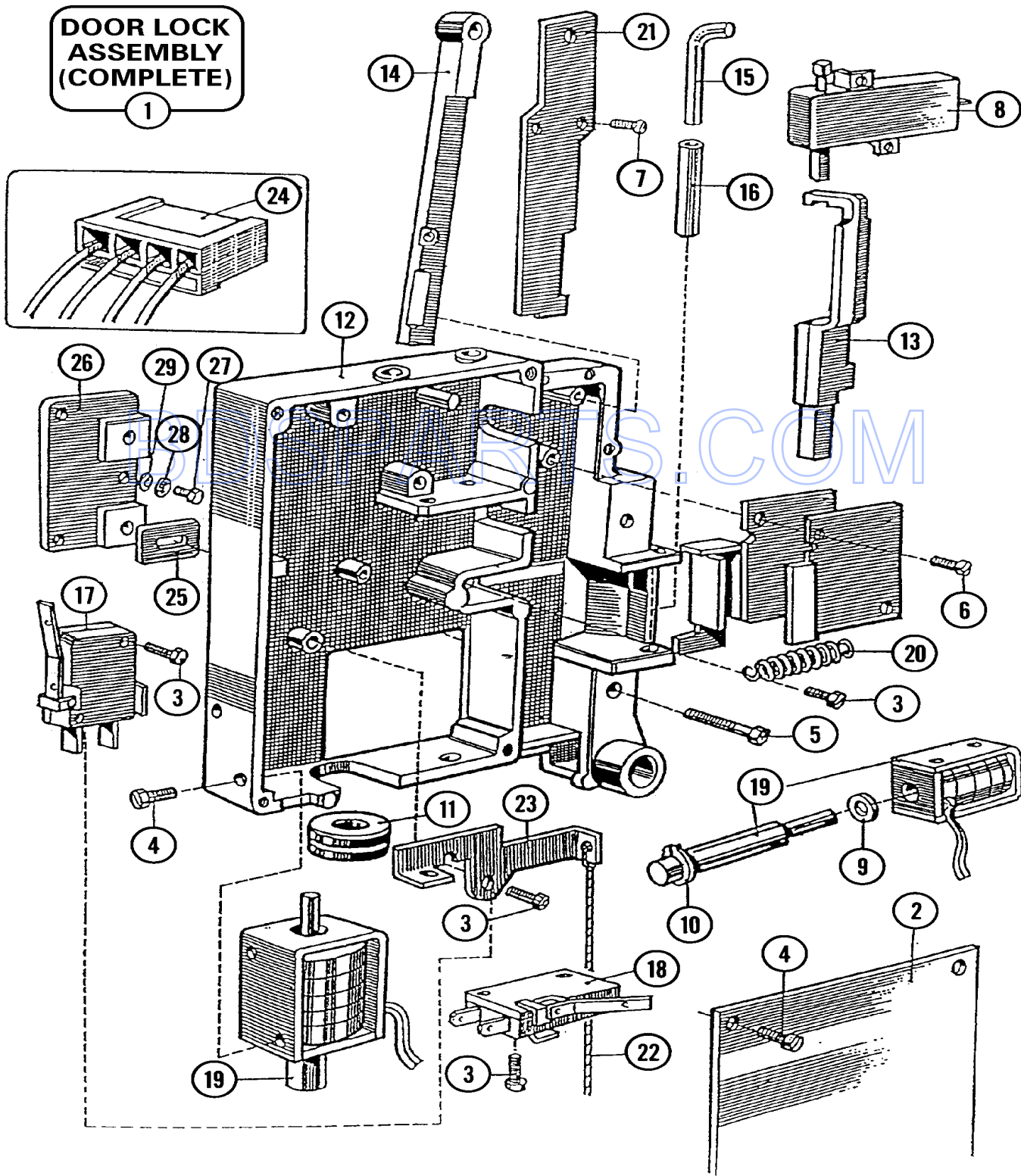
## Section: MAIN CONTROL (SERIES 10)

No.	Part No.	Description	Series	Qty
1	23001094	BRIDGE, RECTIFIER	10	1
2	23001095	CAPACITOR (80MF)	10	1
2	23001358	CAPACITOR (30MF)	10	1
3	23001099	PC BOARD SOCKET Note: SOCKET, PC BOARD	10	1
4	23001101	CONTACTOR (LC1-D1201 M7)	10	1
4	23001100	CONTACTOR (LC1-D0901 M7)	10	1
5	23001106	RELAY, THERMAL OVERLOAD (4-6A) Note: RELAY, THERMAL OVERLOAD (4-6A)	10	1
6	23001109	CONNECTOR HOUSING (8 POLE) Note: HOUSING, CONNECTOR (8 POLE)	10	1
8	23001513	SWITCH, WATER LEVEL	10	1
9	23001112	CONNECTOR HOUSING (6 POLE) Note: HOUSING, CONNECTOR (6 POLE)	10	1
10	23001113	CONNECTOR HOUSING (4 POLE) Note: HOUSING, CONNECTOR (4 POLE)	10	1
12	23001115	INSULATION PAPER Note: PAPER, INSULATION	10	1
13	23001116	CONNECTOR HOUSING (4 POLE) Note: HOUSING, CONNECTOR (4 POLE)	10	1
14	23001117	RING, RUBBER (DIA. 25)	10	1
15	23001118	STICKER, LIQUID SOAP	10	1
16	23001361	BOLT (M4X10)	10	1
17	23001055	NUT (M4)	10	1
18	23001119	MECHANICAL INTERLOCK, CONTACTO Note: MECH. INTERLOCK, CONTACTOR	10	1
-	23001465	STICKER, ELECTRICITY WARNING	10	1
- N	23001514	SCREW (M6 X 25)	10	1
-	23001515	NUT (M6)	10	1
- N	23001517	STICKER	10	1
- N	23001516	WASHER (M6)	10	1
- N	23001518	NET FILTER Note: FILTER, NET	SERIES 15 THIS PART IS LONGER NEEDED	10 1
- N	23001546	LABEL, EARTH		10 1

\*Color Code (-)=Not Shown #=Series, Serial Prefix or Run No., N=Not Available

Section: DOOR LOCK ASSEMBLY (SERIES 10)

Model: MFR25PCATS



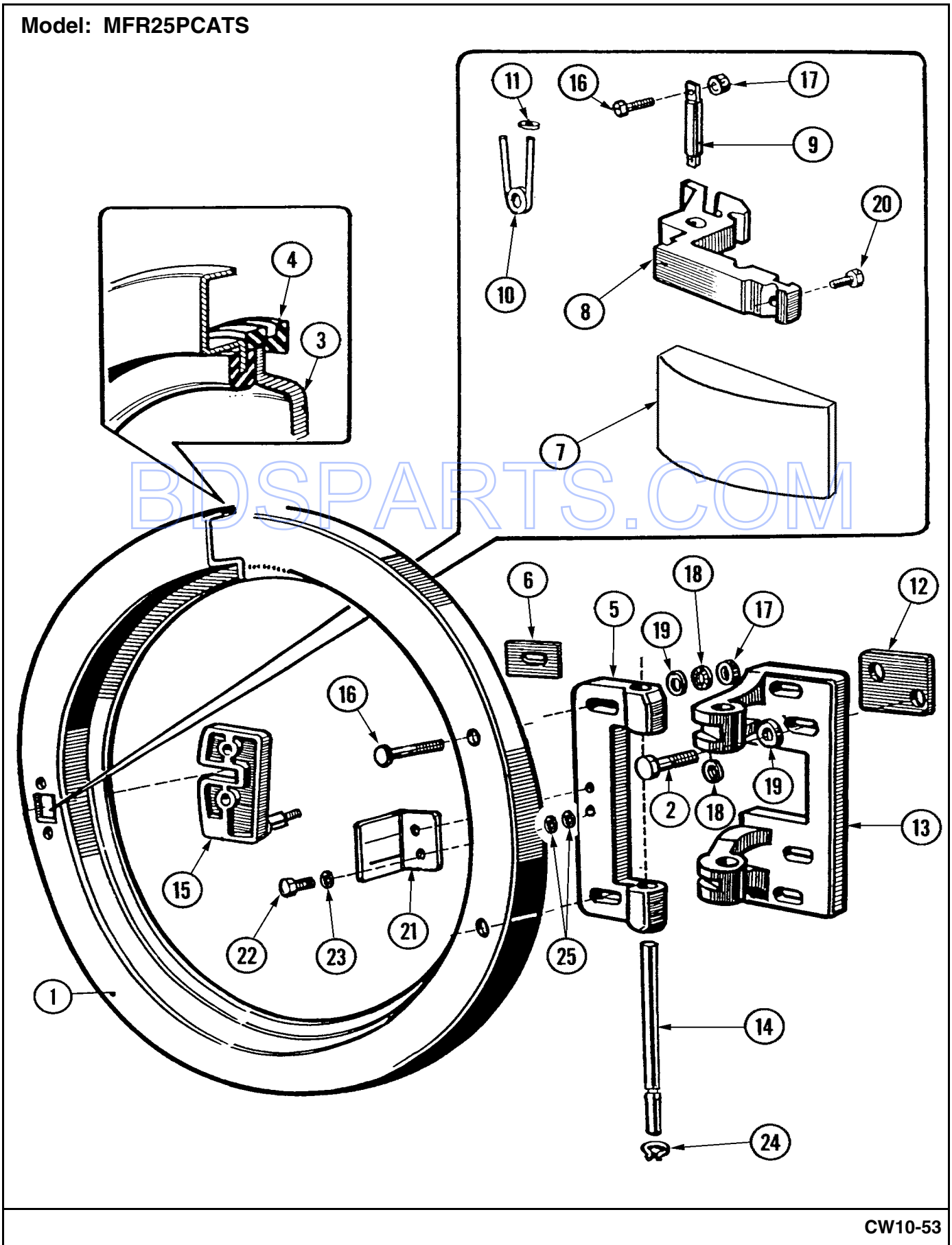
## Section: DOOR LOCK ASSEMBLY (SERIES 10)

No.	Part No.	Description	Series	Qty
1	23002897	LOCK, DOOR (COMPLETE)	10	1
2	23001130	PLATE, COVER (STNLS STEEL)	10	1
3	23001131	SCREW (M3 X 14 CROSS RECESSED)	10	1
4	23001132	SCREW (M3 X 4 CROSS RECESSED)	10	1
5	23001133	SCREW (M5 X 25 STAINLESS STEEL Note: SCREW (M5 X 25 STNLS STEEL)	10	1
6	23001070	SCREW (M4X10)	10	1
7	23001134	BOLT (M3 X 6)	10	1
8	23001135	BIMETAL, ACTUATOR (230V)	10	1
9	23001136	WASHER (DIA. 5.1 X 3.3 X 0.1)	10	1
10	23001137	RING, RETAINING (G10)	10	1
11	23001138	BUSHING, CABLE PASSAGE	10	1
12	23001139	HOUSING, DOOR LOCK	10	1
13	23001140	BAR, LOCKING	10	1
14	23001141	BAR, HANDLE LATCH	10	1
15	23001142	RETAINER, LOCK TUBE (DIA.4X45)	10	1
16	23001143	LOCK TUBE (DIA. 4X23.5 STNLS) Note: TUBE, LOCK (DIA. 4X23.5 STNLS)	10	1
17	23001144	MICROSWITCH, SHORT LEVER	10	1
18	23001145	MICROSWITCH, LONG LEVER	10	1
19	23001147	COIL (120V)	10	1
19	23001146	COIL (240V)	10	1
20	23001148	COIL SPRING, HANDLE LATCH BAR	10	1
21	23001149	LEAF SPRING, LATCH BAR	10	1
22	23001152	CORD, EMERGENCY OPENING	10	1
23	23001153	LEVER, EMERGENCY OPENING	10	1
24	23001154	WIRING HARNESS, DOORLOCK Note: WIRING HARNESS, DOORLOCK (OPL)	10	1
25	23001155	SHIM	10	1
26	23001156	SPACER, LOCK	10	1
27	23001157	BOLT (M6 X 12 STAINLESS STEEL) Note: BOLT (M6 X 12 STNLS STEEL)	10	1
28	23001158	WASHER (M6) Note: SPRING, LOCKWASHER (M6)	10	1
29	23001159	WASHER (DIA. 14X8.6X1 STNLS)LU	10	1

\*Color Code (-)=Not Shown #=Series, Serial Prefix or Run No., N=Not Available

Section: DOOR

Model: MFR25PCATS



CW10-53

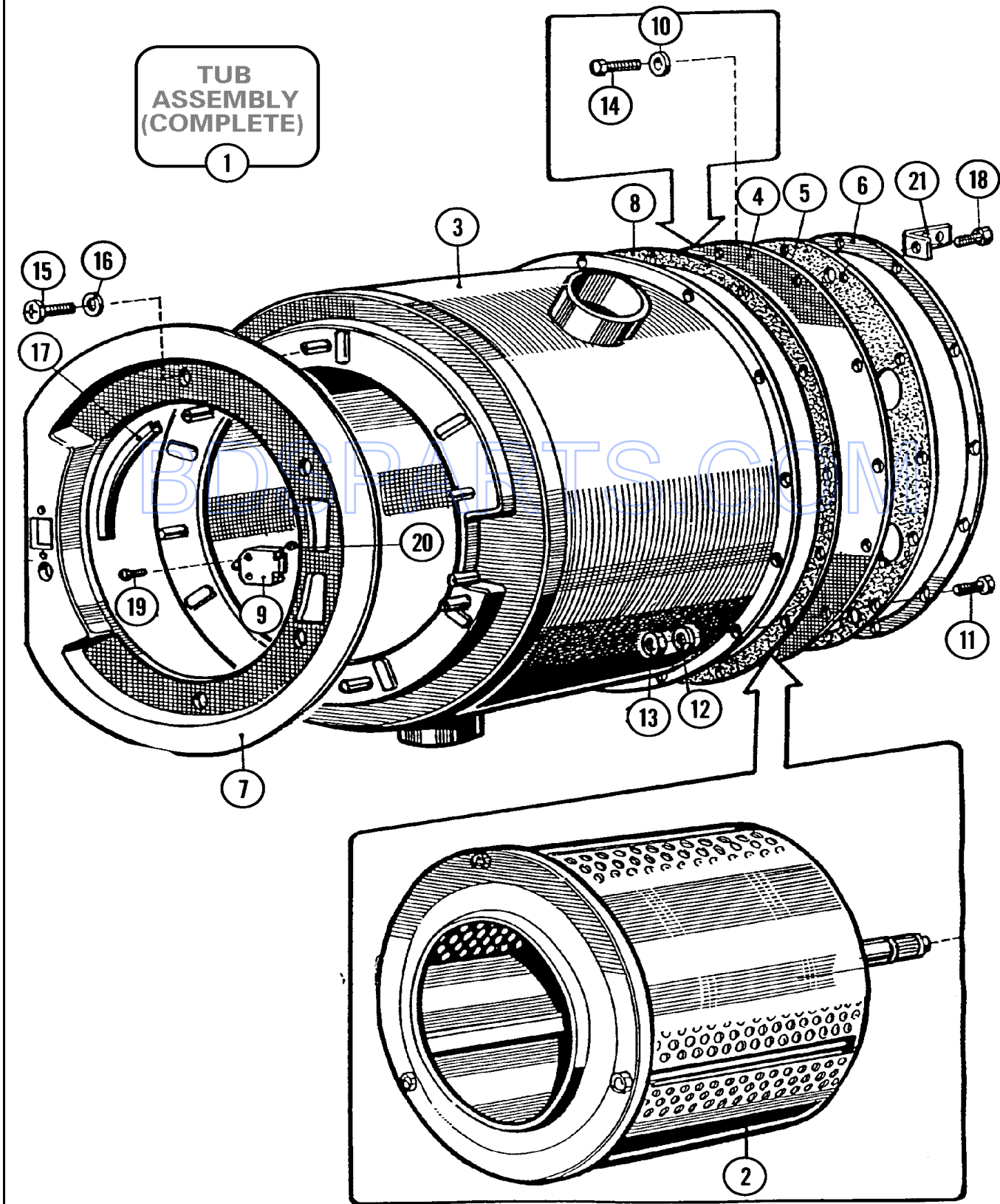
## Section: DOOR

No.	Part No.	Description	Series	Qty
1	23001363	RING, DOOR	10	1
2	23002279	BOLT (M6X20)	11	1
2	23001374	BOLT (M6 X 20)	10	1
3	23001364	GLASS, DOOR	10	1
4	23001365	RUBBER, DOOR GLASS	10	1
5	23001366	PLATE, HINGE	10	1
6	23001166	SHIM, HINGE PLATE	10	1
7	23001524	HANDLE, DOOR (BLK)	10	1
-	12001889	KIT, DOOR HANDLE ASSEMBLY Note: HANDLE FRONT & BACK INCLUDED	14	1
7	23001614	DOORLOCK, HANDLEGRIP	11	1
8	23001367	LEVER, HANDLE	10	1
8	23003633	LEVER, DOOR	14	1
9	23001168	SHAFT, LEVER Note: HANDLE, LEVER SHAFT	10	1
10	23001169	SPRING, HANDLE LEVER	10	1
11	23002499	WASHER	14	1
11	23001170	FASTENER, SPRING (DIA. 3.2)	10	1
12	23001368	SHIM, HINGE BASE Note: SHIM, HINGE BASE	10	1
13	23001369	PIN, DOOR LOCK	10	1
14	23001172	SHAFT, DOOR HINGE	10	1
15	23001370	HANDLE, LEVER PLATE	10	1
16	23001175	SCREW (M6X20 STAINLESS STEEL)LU	14	1
16	23001371	SCREW (M6 X 20 STNLS STEEL)	10	1
17	23002280	NUT (M6)	11	1
17	23002280	NUT (M6)	14	1
17	23001176	NUT (M6 STAINLESS STEEL) Note: NUT (M6 STNLS STEEL)	10	1
18	23001158	WASHER (M6) Note: SPRING, LOCKWASHER (M6)	10	1
19	23001159	WASHER (DIA. 14X8.6X1 STNLS)LU	10	1
19	23002617	SCREW (M4X8)	11	1
20	23001372	SCREW (M4 X 8 STNLS STEEL) Note: SCREW (M4 X 10 STNLS STEEL)	10	1
20	23001177	SCREW (M4 X 10)	14	1
20	23002617	SCREW (M4X8)	11	1
21	23001373	MICROSWITCH, ACTIVATING PLATE	10	1
22	23001361	BOLT (M4X10)	10	1
22	23001781	BOLT (M4X10)	11	1
23	23002111	WASHER (4)	11	1
23	23001013	LOCK WASHER EXTERNAL TEETH M4 Note: LOCKWASHER (EXTERNAL TEETH M4)	10	1
24	23001181	RETAINING RING (DIA. 8) Note: RING, RETAINING (DIA. 8)	10	1
25	23001180	WASHER (DIA. 10X5.3X1)	11	4

\*Color Code (-)=Not Shown #=Series, Serial Prefix or Run No., N=Not Available

Section: BASKET & OUTER SHELL ASSY. (SERIES 10)

Model: MFR25PCATS



CW21-84

**Section: BASKET & OUTER SHELL ASSY. (SERIES 10**

No.	Part No.	Description	Series	Qty
1	N 23001376	TUB (COMPLETE)	10	1
2	23001378	DRUM & SHAFT	10	1
3	23001380	SHELL (OUTER)	10	1
4	N 23001382	PLATE, BACK (STNLS STEEL) Note: PLATE, BACK (STNLS STEEL)	10	1
5	23001383	PLATE, BACK (IRON)	10	1
6	N 23001384	RING, CLAMP (12 HOLES)	10	1
7	N 23001385	SHIELD	10	1
8	23001386	GASKET, SHELL (REAR)	10	1
9	23001200	HINGE, MIRCO SWITCH	10	1
10	23001201	WASHER (DIA. 22X11X1 BRASS)	10	1
11	23001205	BOLT (M8 X 45)	10	1
12	23001265	WASHER (8)	10	1
13	23001306	LOCKING NUT, SELF	10	1
14	23001374	BOLT (M6 X 20)	10	1
15	23001177	SCREW (M4 X 10) Note: SCREW (M4 X 8 STNLS STEEL)	10	1
16	23001204	WASHER, FINISHING (DIA. 5)	10	1
17	23001088	RUBBER TRIM Note: TRIM, RUBBER	10	1
18	23001388	BOLT (M8 X 40)	10	1
19	23001089	SCREW (M4 X 16 CK)	10	1
20	23001055	NUT (M4)	10	1
21	23001206	BRACKET, MOTOR HARNESS	10	1

BDSPARTS.COM

\*Color Code (-)=Not Shown #=Series, Serial Prefix or Run No., N=Not Available





**Section: BEARINGS & TRUNNION ASSY. (SERIES 10)**

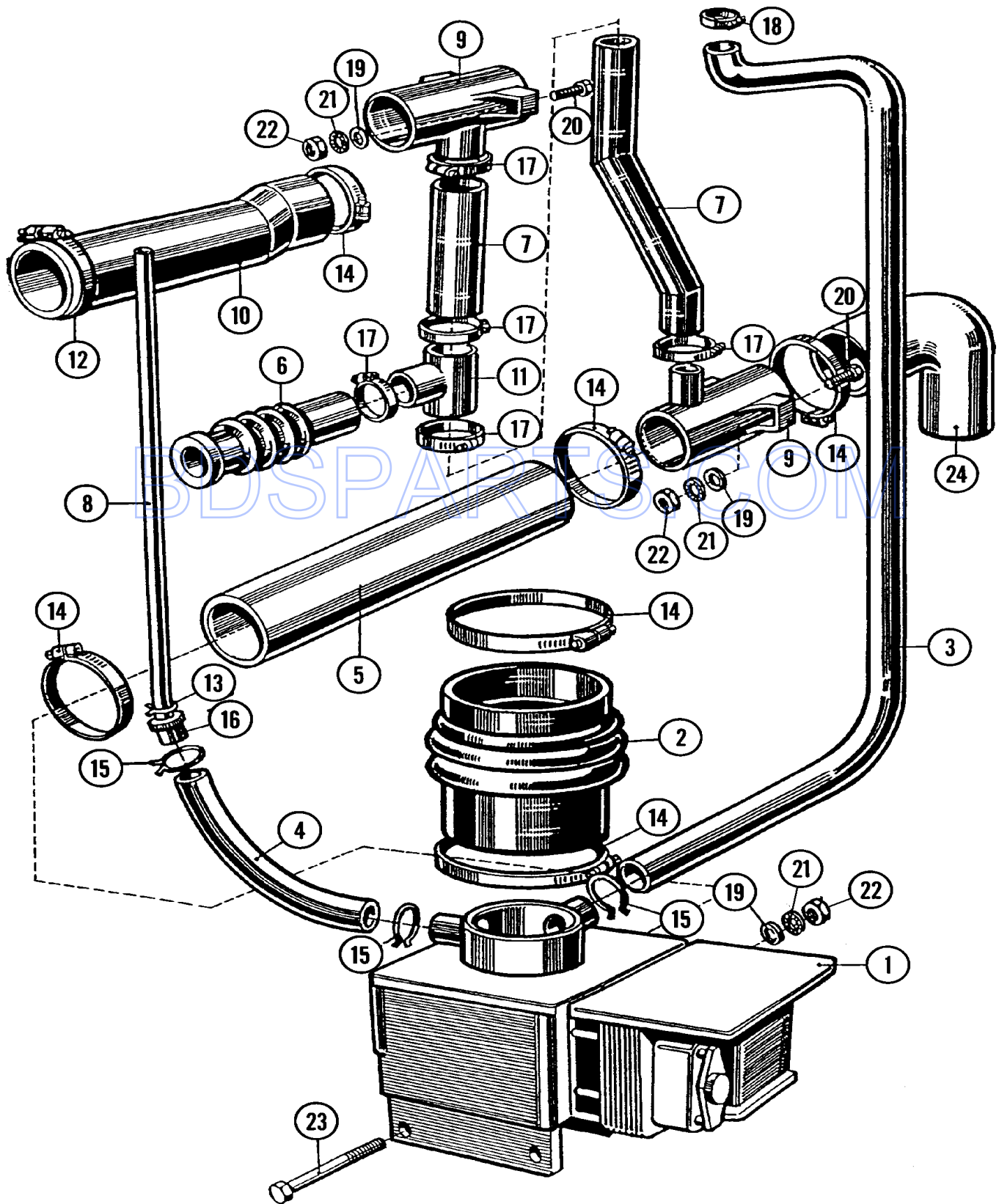
No.	Part No.	Description	Series	Qty
1	23001230	TRUNNION (CASTING ONLY)	10	1
2	23001232	BEARING (REAR)	10	2
3	23001231	BEARING (6209 2RS C3)	10	2
4	23001234	SEAL, WATER	10	1
5	23001233	RING, SEAL	10	1
6	23001235	RING, INTERNAL SNAP	10	1
7	23001398	SPOKE	10	6
8	23001236	SPACER RING (FRONT BEARING) Note: RING, SPACER (FRONT BEARING)	10	1
9	23001237	SPACER RING (REAR BEARING) Note: RING, SPACER (REAR BEARING)	10	1
10	23001239	BOLT (M10 X 40)	10	6
11	23001388	BOLT (M8 X 40)	10	6
12	23001265	WASHER (8)	10	1
13	23001306	LOCKING NUT, SELF	10	1
14	23001240	NUT (M10)	10	1
15	23001400	LOCK WASHER, SPRING	10	1
16 N	23001399	WASHER (10.5)	10	1
17	23001201	WASHER (DIA. 22X11X1 BRASS)	10	1
18	23001374	BOLT (M6 X 20)	10	1
-	23002938	TRUNNION (35LBS) Note: ITEMS 1,2,3,&6	10	1

BDSPARTS.COM

\*Color Code (-)=Not Shown #=Series, Serial Prefix or Run No., N=Not Available

Section: DRAIN & HOSE ASSEMBLY (SERIES 10)

Model: MFR25PCATS



CW21-20

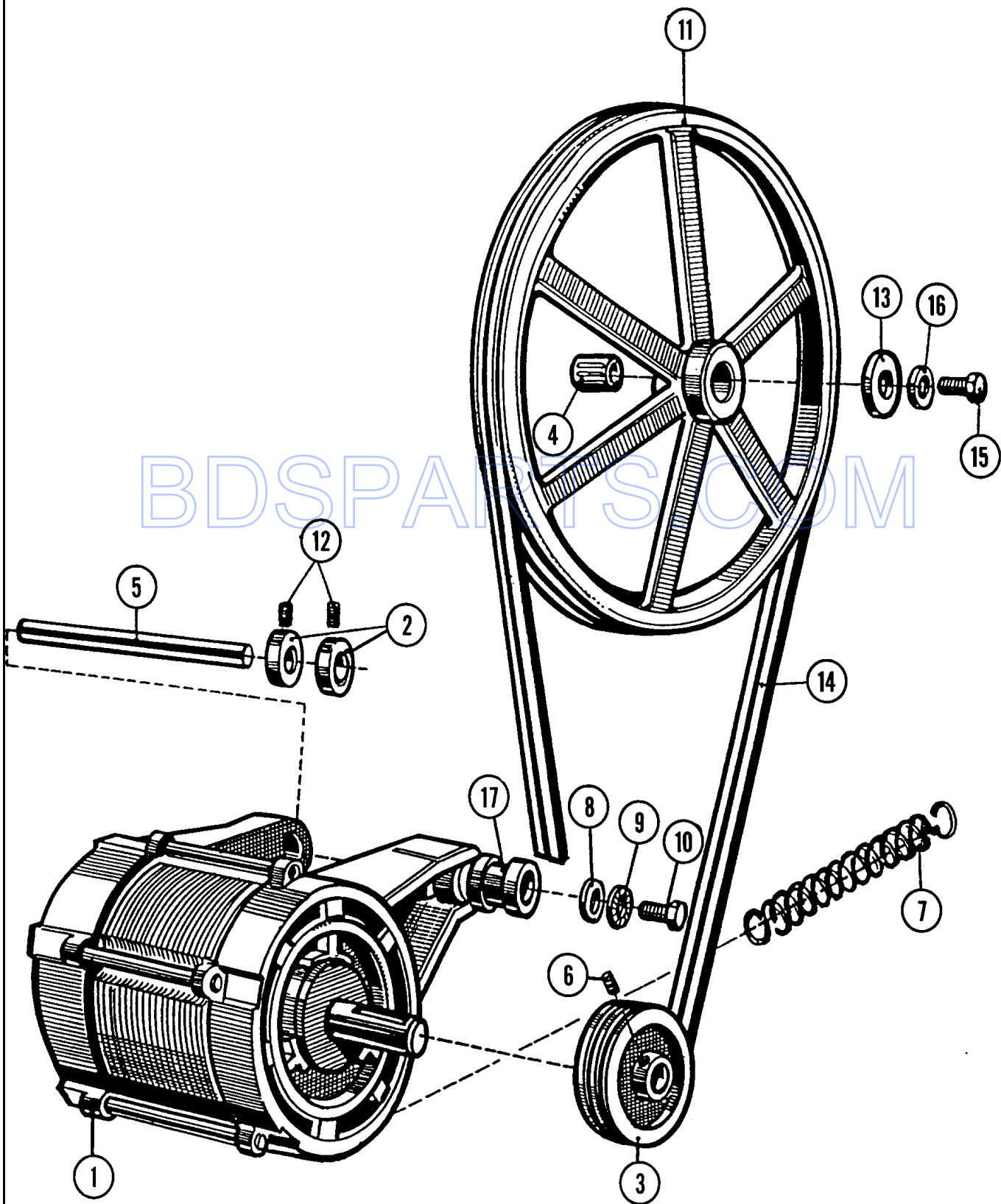
**Section: DRAIN & HOSE ASSEMBLY (SERIES 10)**

No.	Part No.	Description	Series	Qty
1	23001244	VALVE, DRAIN (240V-50/60HZ)	10	1
-	23002321	MOTOR, DRAIN (240V)	10	1
2	23001245	HOSE, TUB	10	1
3	23001246	HOSE, BOTTOM FILL	10	1
4	23001247	HOSE, AIR DOME (30 CM)	10	1
5	23001248	HOSE, DRAIN	10	1
6	23001250	HOSE, AIR VENT	10	1
7	23001251	HOSE, OVERFLOW	10	1
8	23001252	HOSE, WATER LEVEL SWITCH	10	1
9	23001253	DRAIN TEE Note: TEE, DRAIN	10	1
10	23001254	AIR VENT HOSE, SOAP BOX	10	1
11	23001255	TEE, OVERFLOW HOSE	10	1
12	23001256	CLAMP, HOSE (60-80)	10	1
13	23001257	CLAMP, CORBIN (A5.5)	10	1
14	23001258	CLAMP, HOSE (70-90)	10	1
15	23001259	CLAMP, CORBIN (A17.5)	10	1
16	23001260	BUSHING, AIR DOME HOSE	10	1
17	23001261	CLAMP, HOSE (32-50)	10	1
18	23001262	CLAMP, HOSE (20-32)	10	1
19	23001263	WASHER (8.4)	10	1
20	23001264	BOLT (M8X20)	10	1
21	23001265	WASHER (8)	10	1
22	23001266	NUT (M8)	10	1
23	23001267	BOLT (M8 X 120)	10	1
24	23001268	HOSE, DRAIN (90 DIA.)	10	1

\*Color Code (-)=Not Shown #=Series, Serial Prefix or Run No., N=Not Available

Section: MOTOR & BASKET PULLEY (SERIES 10)

Model: MFR25PCATS



CW20-2

**Section: MOTOR & BASKET PULLEY (SERIES 10)**

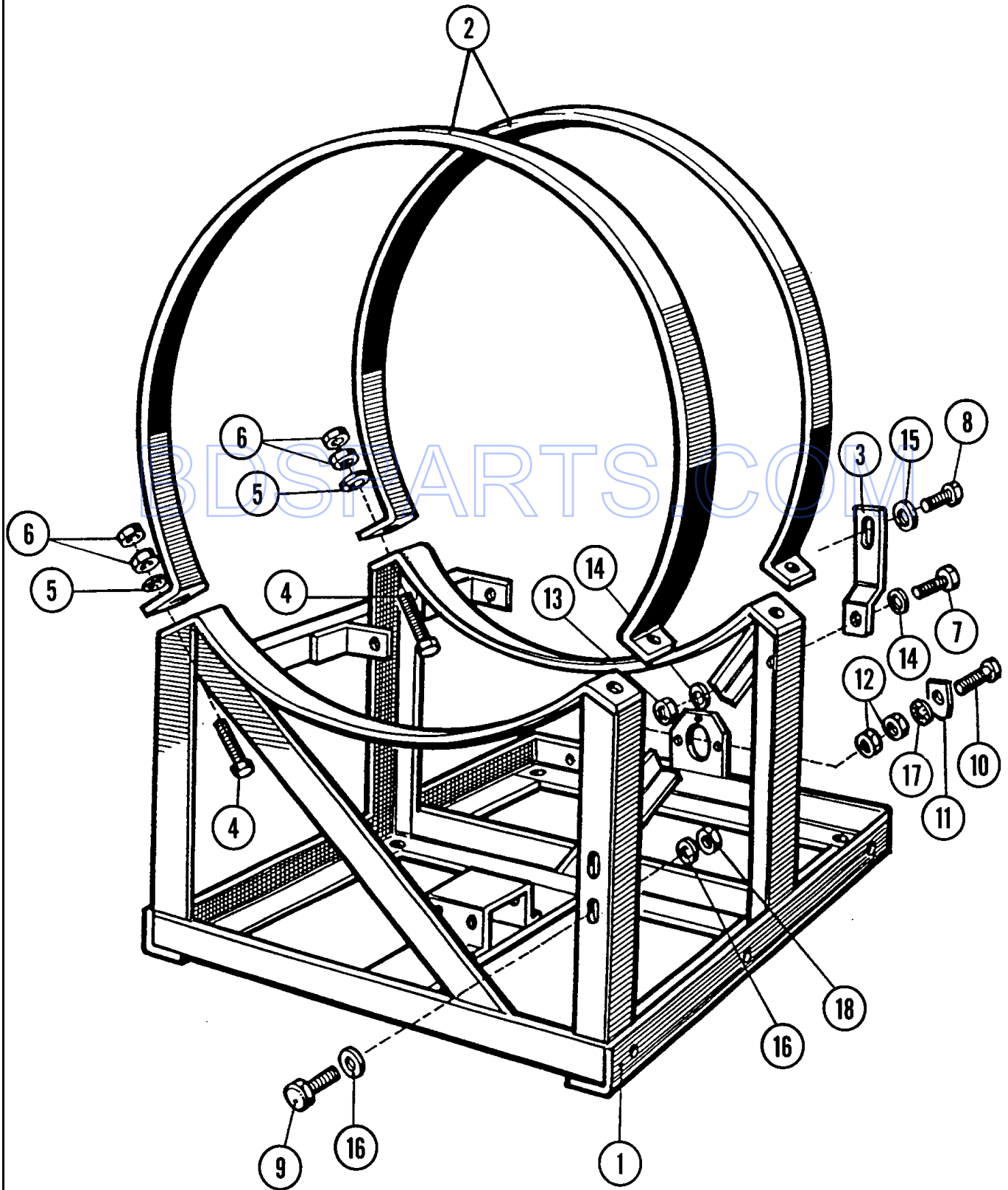
No.	Part No.	Description	Series	Qty
1	23001407	MOTOR (SINGLE PHASE)	10	1
2	23001408	COLLAR, RETAINER	10	1
3	23001409	V-PULLEY (DIA. 53 60HZ)	10	1
4	23001410	RING, TOLERANCE (DIA. 28)	10	1
5	N 23001412	SUPPORT ROD, MOTOR	10	1
6	23001289	SCREW, ALLEN SET (M8 X 10)	10	1
7	23001413	MOTOR, SPRING	10	1
8	N 23001399	WASHER (10.5)	10	1
9	23001400	LOCK WASHER, SPRING	10	1
10	23001414	BOLT (M10 X 25)	10	1
11	23001415	PULLEY, BASKET	10	1
12	N 23001416	SCREW, SET (M5 X 6)	10	1
13	23001282	WASHER (DIA. 37 X 13 X 3)	10	1
14	23001417	V-BELT (10 X 1575)	10	1
15	23001418	BOLT (M12 X 25)	10	1
16	23001419	WASHER (12) Note: LOCKWASHER(EXTERNAL TEETH M12)	10	1
17	23001420	MOTOR, SUSPENSION RUBBER	10	1

BDSPARTS.COM

\*Color Code (-)=Not Shown #=Series, Serial Prefix or Run No., N=Not Available

Section: BASE FRAME (SERIES 10)

Model: MFR25PCATS



CW19-4

**Section: BASE FRAME (SERIES 10)**

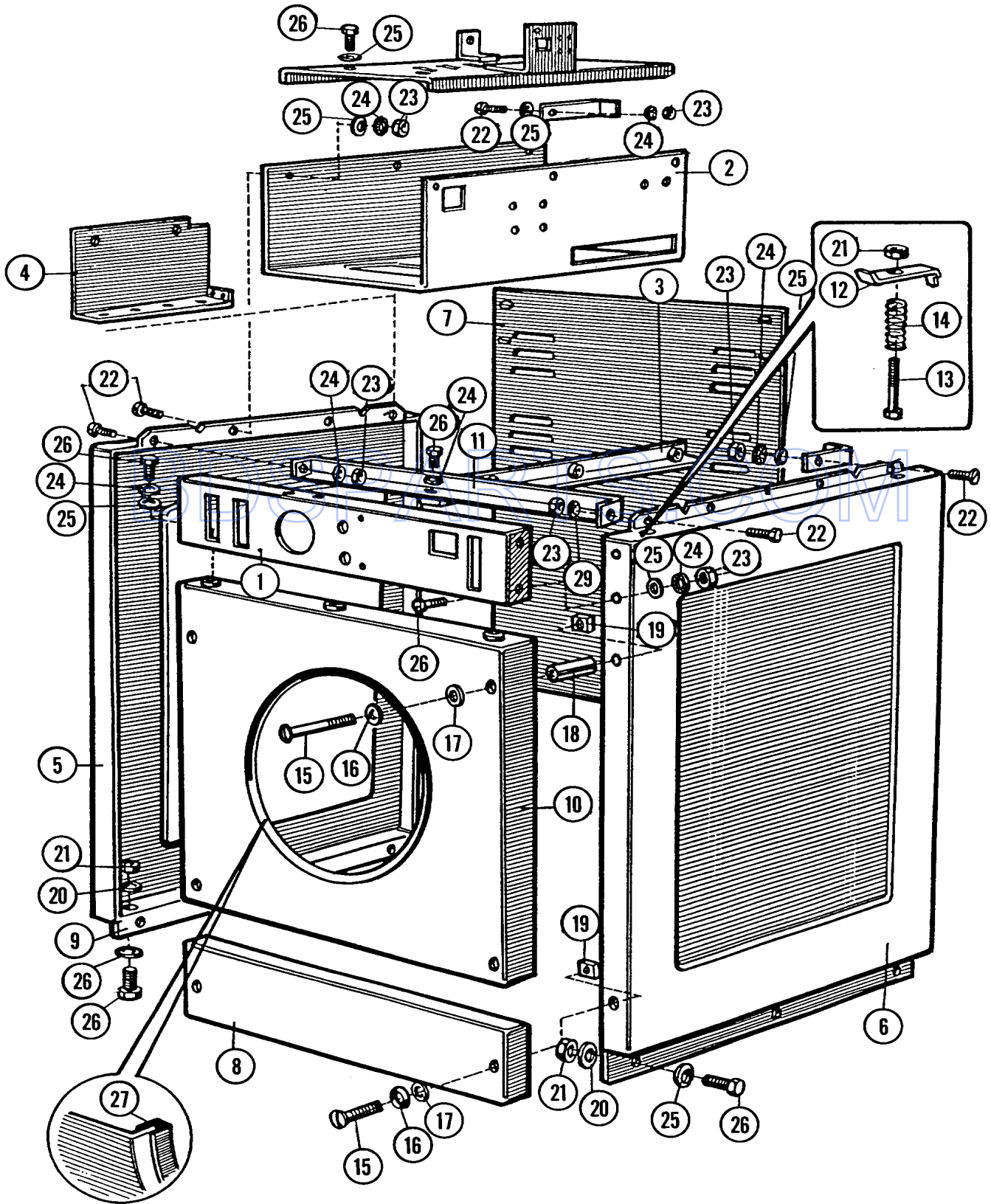
No.	Part No.	Description	Series	Qty
1	N 23001422	FRAME	10	1
2	N 23001423	CLAMP, TUB	10	1
3	N 23001424	BRACE, TUB SUPPORT	10	1
4	23001425	BOLT (M10X50)	10	1
5	23001400	LOCK WASHER, SPRING	10	1
6	23001240	NUT (M10)	10	1
7	23001304	BOLT (M8 X 35)	10	1
8	23001205	BOLT (M8 X 45)	10	1
9	23001307	BOLT (M6 X 20)	10	1
10	23001311	BOLT (M6 X 25)	10	1
11	23001308	GROUNDING HARDWARE Note: HARDWARE, GROUNDING	10	1
12	23001312	NUT (M6)	10	1
13	23001266	NUT (M8)	10	1
14	23001265	WASHER (8)	10	1
15	N 23001426	WASHER (DIA. 30 X 8.5 X 2.5)	10	1
16	23001309	WASHER (6.4) LU	10	1
17	23001028	LOCK WASHER EXTERNAL TEETHM6LU Note: LOCKWASHER (EXTERNAL TEETH M6)	10	1
18	23001310	NUT, SELF LOCKING (M6)	10	1
19	23001313	WASHER (6.4)	10	1

BDSPARTS.COM

\*Color Code (-)=Not Shown #=Series, Serial Prefix or Run No., N=Not Available

Section: CABINET (SERIES 10)

Model: MFR25PCATS



CW12-18



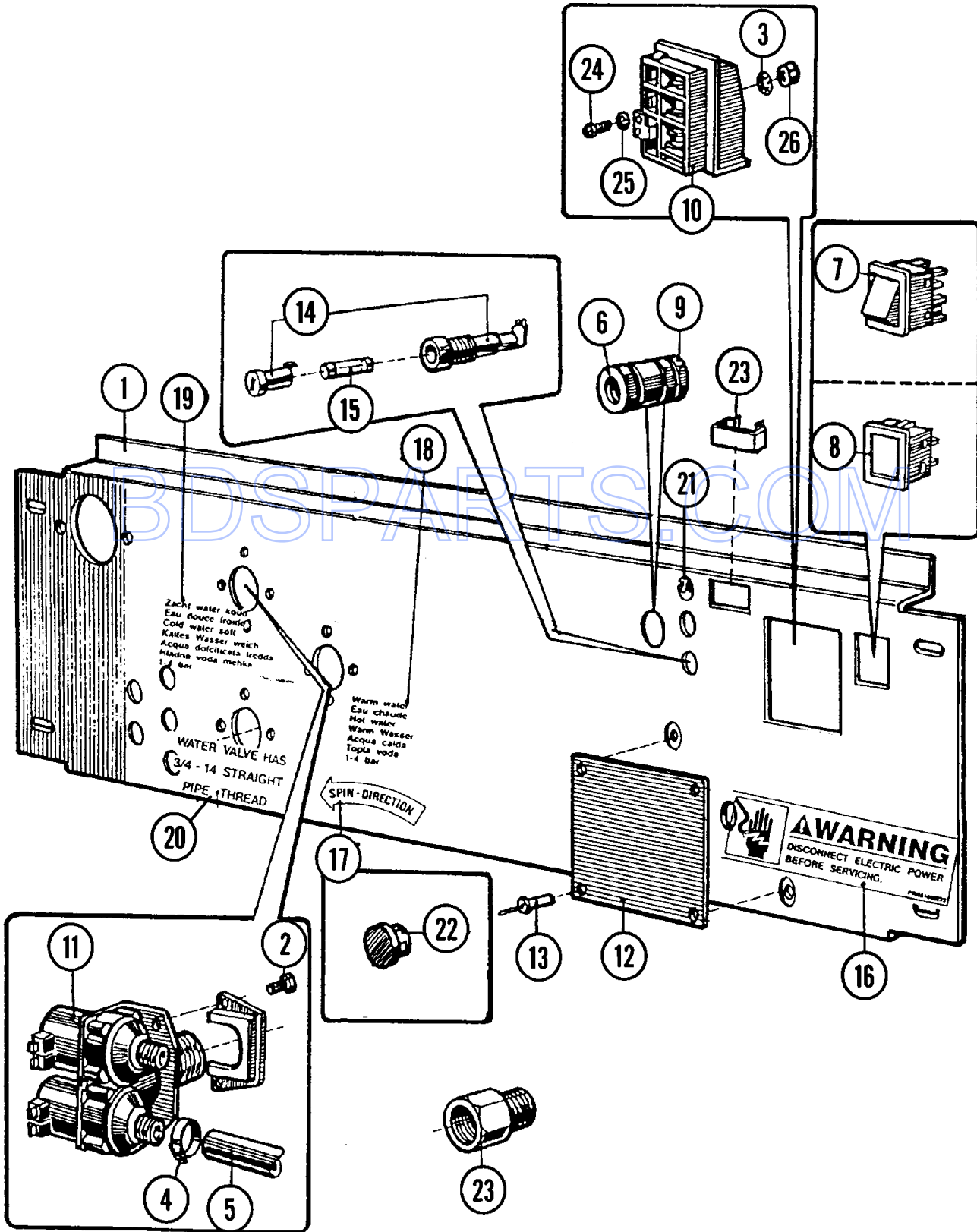
## Section: CABINET (SERIES 10)

No.	Part No.	Description	Series	Qty
1	N 23001353	PLATE, BACK-UP	10	1
2	23001314	TRAY, ELEC. COMPONENTS	10	1
3	N 23001427	HOLDER BOX, ELECTRICAL COMPONE	10	1
4	23001548	BOX CONDENSATORS Note: CONDENSATORS, BOX	10	1
5	23001431	PANEL, SIDE (LT)	10	1
6	N 23001433	PANEL, SIDE (RT)	10	1
7	N 23001435	PANEL, REAR	10	1
8	23001436	PANEL, ACCESS (LWR)	10	1
9	23001438	SUPPORT, SIDE PANEL	10	1
10	23001347	FRONT PANEL, 26X27 1/2 Note: PANEL, FRONT	10	1
11	N 23001441	CROSS BEAM Note: BEAM, CROSS	10	1
12	23001442	COVER, HOOK	10	1
13	23001444	BOLT (M6X30)	10	1
14	23001445	COVER, SPRING	10	1
15	23001446	SCREW (M5 X 50 STNLS STEEL)	10	1
16	23001204	WASHER, FINISHING (DIA. 5)	10	1
17	23001447	WASHER, FIBER (12 X 6 X 2)	10	1
18	23001331	SPACER, PANEL	10	1
19	23001448	NUT, RAPID (M5)	10	1
20	23001309	WASHER (6.4) LU	10	1
21	23001310	NUT, SELF LOCKING (M6)	10	1
22	23001449	LOCKING NUT, SELF (M6)	10	1
23	23001034	NUT (M6)	10	1
24	23001028	LOCK WASHER EXTERNAL TEETHM6LU Note: LOCKWASHER (EXTERNAL TEETH M6)	10	1
25	23001027	WASHER (DIA. 12 X 6.5 X 1.6)	10	1
26	23001026	BOLT (M6 X 16)	10	1
27	23001088	RUBBER TRIM Note: TRIM, RUBBER	10	1

\*Color Code (-)=Not Shown #=Series, Serial Prefix or Run No., N=Not Available

Section: WATER VALVE & REAR PANEL (SERIES 10)

Model: MFR25PCATS



CW21-83

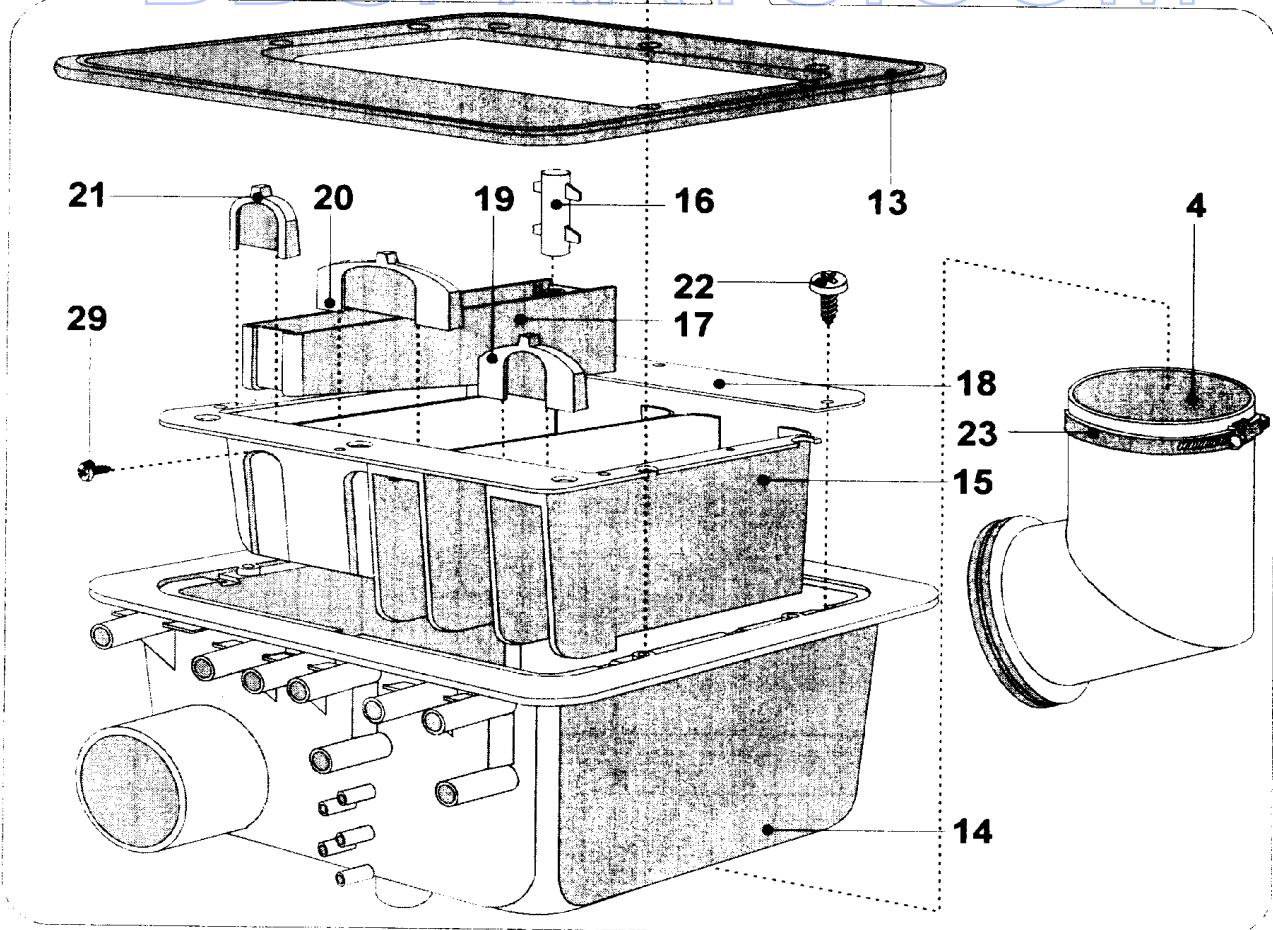
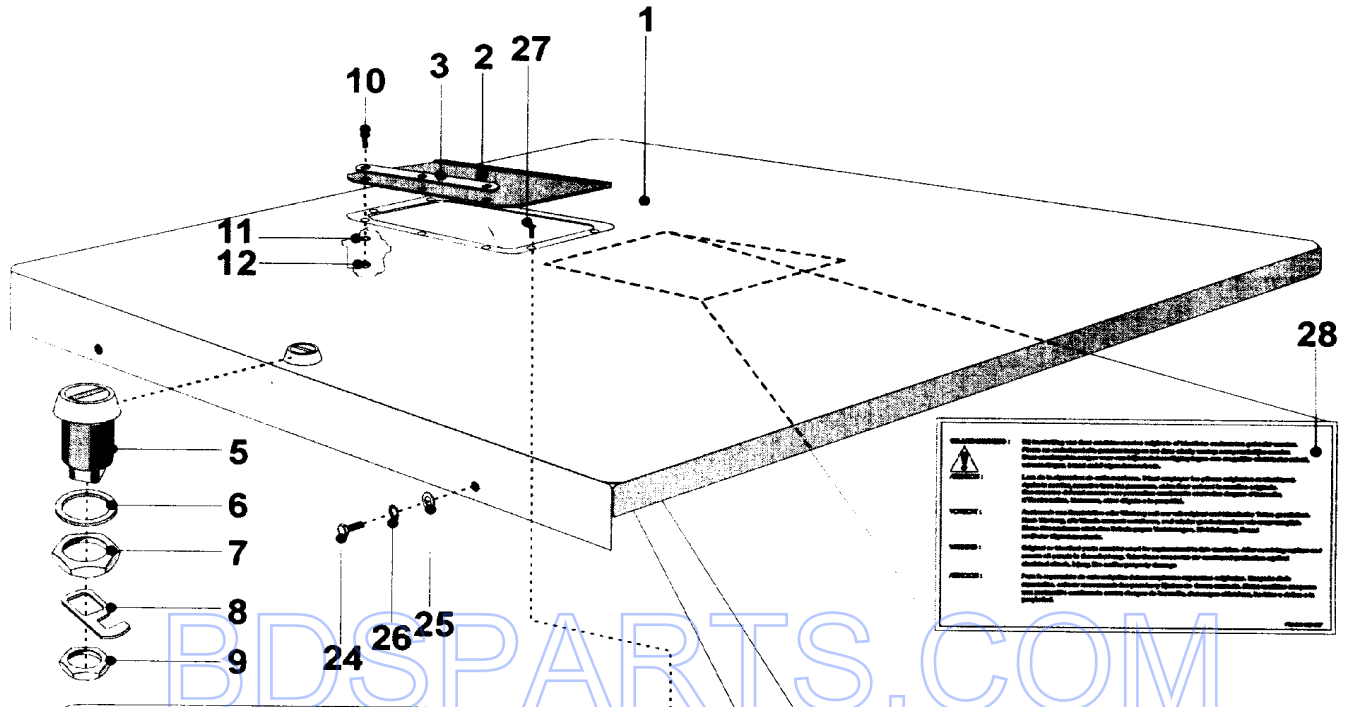
## Section: WATER VALVE & REAR PANEL (SERIES 10)

No.	Part No.	Description	Series	Qty
1	N 23001505	PANEL, VALVE	10	1
2	23001361	BOLT (M4X10)	10	1
3	23001013	LOCK WASHER EXTERNAL TEETH M4 Note: LOCKWASHER (EXTERNAL TEETH M4)	10	1
4	23001506	CLAMP, HOSE	10	1
5	23001507	WATERHOSE (GREEN)	10	1
6	23001450	SWIVEL (PG9)	10	1
8	23001452	PLUG (WHT)	10	1
9	23001453	NUT, SWIVEL (PG9)	10	1
10	23001454	BLOCK, TERMINAL CONNECTION	10	1
11	23001455	VALVE, TWO WAY (220V 50/60HZ)	10	1
12	23001460	PLATE, IDENTIFICATION	10	1
13	23001461	RIVETS, BLIND	10	1
14	23001462	HOLDER, FUSE	10	1
15	23001508	FUSE (1A)	10	1
16	23001465	STICKER, ELECTRICITY WARNING	10	1
17	23001468	STICKER, SPIN DIRECTION	10	1
18	23001469	STICKER, HOT WATER Note: STICKER, HOT WATER	10	1
19	23001471	STICKER, COLD SOFT WATER	10	1
20	23001509	STICKER, PIPE THREAD	10	1
21	N 23001473	STICKER (1A)	10	1
22	N 23001475	PLUG, LIQUID SOAP OPENING	10	1
23	23001339	NUT, CAGE	10	1
24	N 23001479	SCREW (M 4 X 16 BRASS)	10	1
25	N 23001480	WASHER (DIA. 9 X 4.3 X 0.8)	10	1
26	23001481	NUT (M4 BRASS)	10	1
-	23001482	NIPPLE (3/4" PIPE THREAD)	10	1
-	23001483	WASHER (DIA. 40 X 6.5 X 3)	10	1
-	23001484	EXTENSION, BRASS PIPE THREAD	10	1
-	23001485	TEE, 3/4" PIPE THREAD (BRASS)	10	1
-	N 23001521	PLATE VALVES Note: VALVES, PLATE	10	1
-	23001522	SCREW (M6 X 12)	10	1
-	23001523	HOSE, CONNECTION	10	1
-	23002921	WASHER, FILL HOSE	10	1

\*Color Code (-)=Not Shown #=Series, Serial Prefix or Run No., N=Not Available

Section: SOAP BOX & TOP COVER ASSY. (SERIES 11)

Model: MFR25PCATS



CW16-12

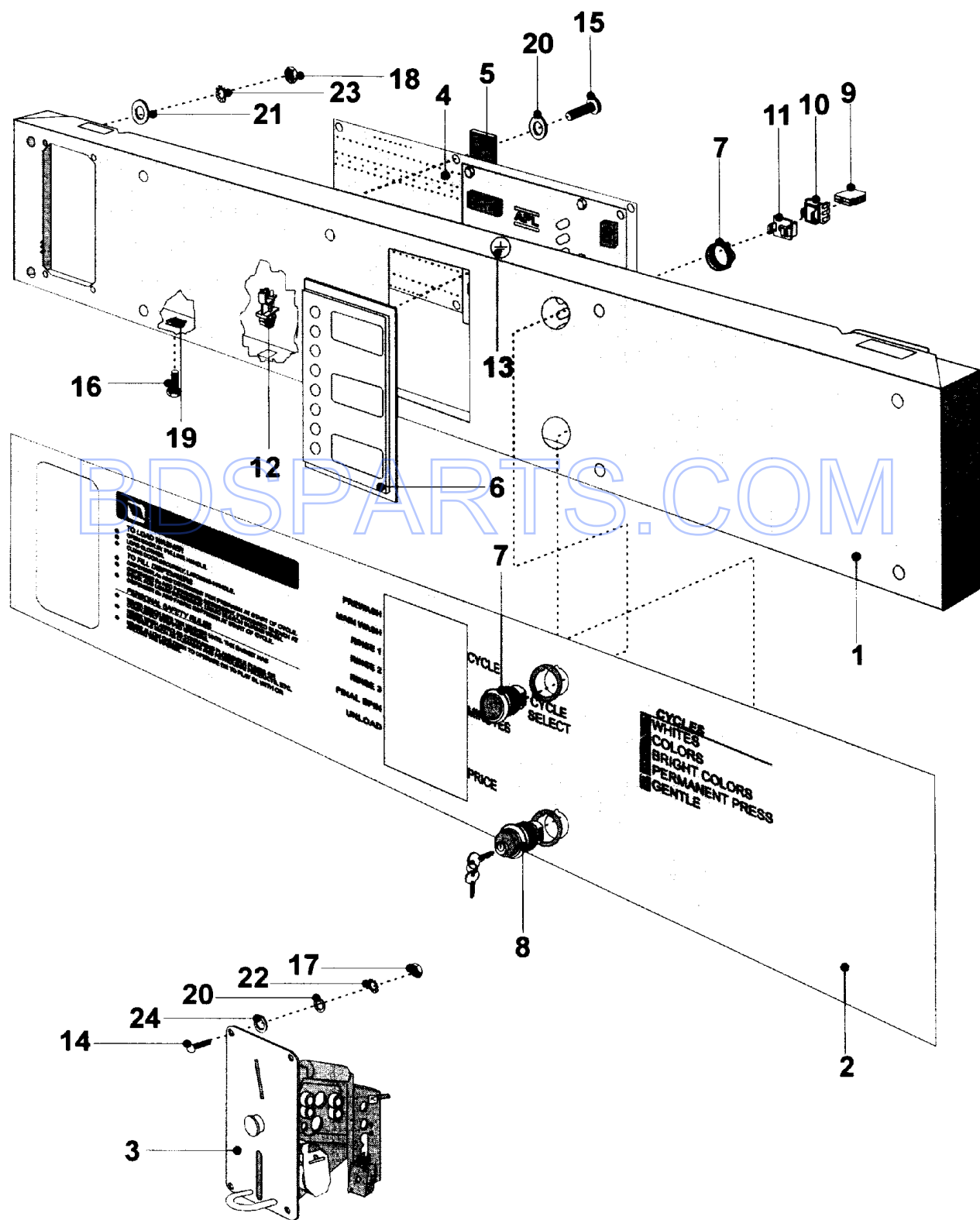
**Section: SOAP BOX & TOP COVER ASSY. (SERIES 11**

No.	Part No.	Description	Series	Qty
1	N 23003316	COVER, SOAP HOPPER	11	1
2	23001003	RUBBER COVER, SOAP BOX	11	1
3	23002893	LATH, RUBBER COVER SOAP HOPPER	11	1
4	23001005	RUBBER HOSE, SOAP BOX	11	1
5	23001006	LOCK, TOP PANEL	11	1
6	23001007	WASHER, FIBER	11	1
7	23001008	LOCK NUT (LARGE)	11	1
8	23001009	LOCK HOOK (SHORT)	11	1
9	23001011	NUT	11	1
10	23001012	SCREW (M4 X 12 STNLS STEEL) Note: BOLT (M4 X 12 STNLS STEEL)	11	3
11	23001636	WASHER	11	3
12	23002652	NUT (QTY OF 4 = 1 PIECE)	11	3
13	23001015	RUBBER SEAL, SOAP BOX	11	1
14	23001016	SOAP BOX HOUSING	11	1
15	23001017	SOAP BOX INSERT	11	1
16	23001018	SIPHON	11	1
17	23001019	TRAY	11	1
18	23001020	COVER, PLATE	11	1
19	23001021	DRAWER, PREWASH	11	1
20	23001022	DRAWER, MAIN WASH	11	1
21	23001021	DRAWER, PREWASH	11	1
22	23001024	SCREW	11	7
23	23001025	CLAMP, HOSE (DIA 90/110)	11	1
24	23002461	SCREW (M6 X16) Note: BOLT (M6 X16)	11	2
25	23001027	WASHER (DIA. 12 X 6.5 X 1.6)	11	2
26	23001734	WASHER (M6)	11	2
27	23002894	SCREW (M5X15)	11	4
28	N 23003317	LABEL (SERV. WARNING)	11	1
29	23002318	SCREW, PAN HEAD (SLOTTED)	11	3

\*Color Code (-)=Not Shown #=Series, Serial Prefix or Run No., N=Not Available

Section: CONTROL PANEL-PC (SERIES 11)

Model: MFR25PCATS



CW11-45

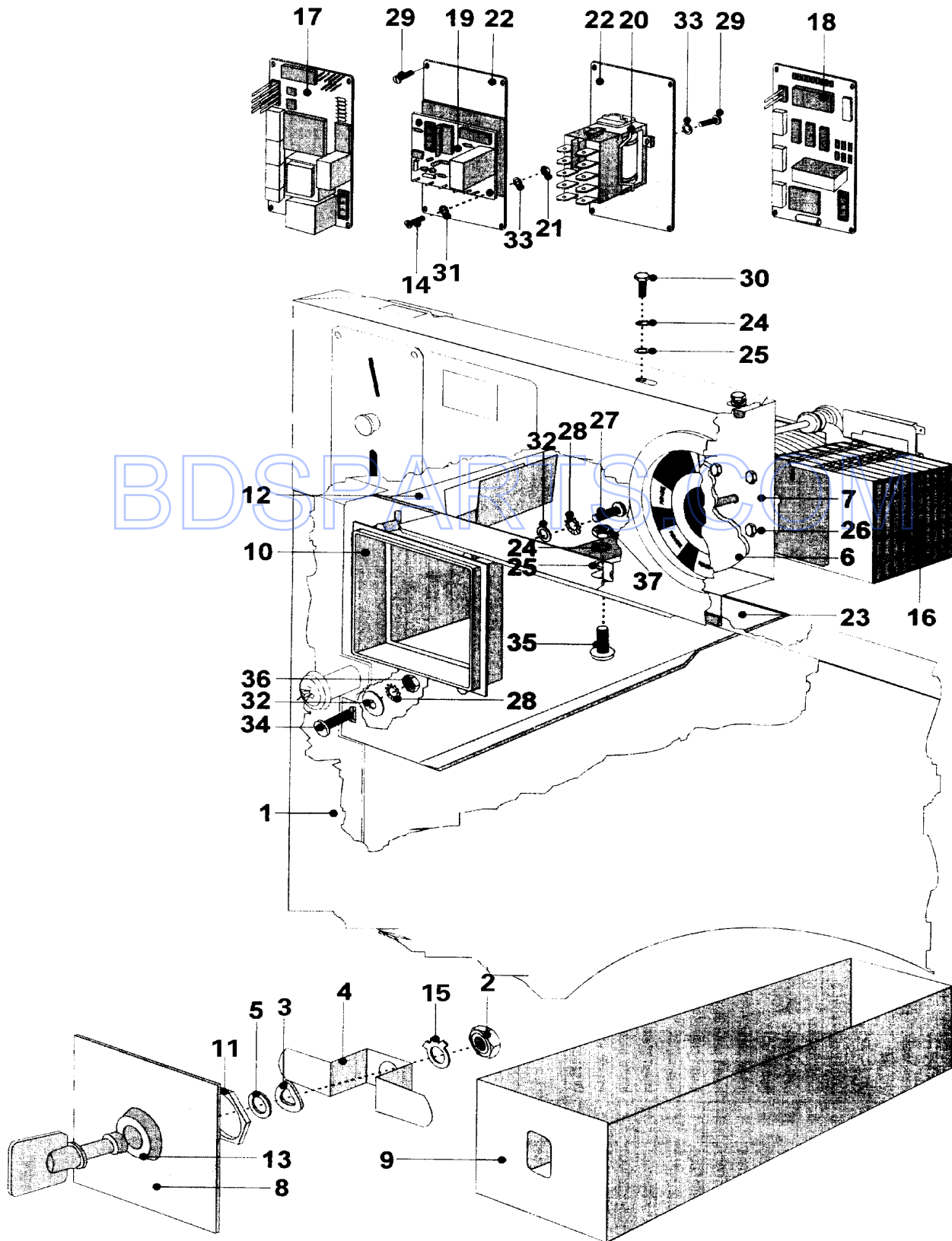
## Section: CONTROL PANEL-PC (SERIES 11)

No.	Part No.	Description	Series	Qty
1	23003356	PANEL, CONTROL	11	1
2	N 23001496	PANEL, CONTROL	11	1
3	23001350	COIN METER (25 CENTS-115V)	11	1
3	23001063	COIN METER (25 CENTS-240V)	11	1
4	23001525	MICROPROCESSOR	11	1
5	23003741	CONTROLLER, APL283A V1.07 Note: (ENGLISH, SPANISH)	11	1
6	23001526	PLEXI, MICROPROCESSOR	11	1
7	23001537	PUSH BUTTON	11	1
8	23001538	KEY BLOCK	11	1
9	23001541	BLOCK, CONTACT (ON)	11	1
10	23001540	ADAPTER, CONTACT BLOCK	11	1
11	N 23001539	CONNECTION PART	11	1
12	23001542	HOLDER	11	1
13	N 23001546	LABEL, EARTH	11	1
14	23001064	ORNAMENTAL SCREW (M3 X 10)	11	4
15	23002869	SCREW (M3X6)	11	3
16	N 23002182	BOLT (M6X16)	11	2
17	23002500	WASHER, LOCK	11	4
18	23002399	NUT(M4)	11	10
19	23001339	NUT, CAGE	11	1
20	23002174	WASHER (3.2)	11	4
21	23002504	WASHER	11	10
22	N 23002870	LOCKWASHER (M3)	11	4
23	23002111	WASHER (4)	11	10
24	23001610	WASHER (4.3)	11	4

\*Color Code (-)=Not Shown #=Series, Serial Prefix or Run No., N=Not Available

Section: TIMER & COIN METER ASSY. (SERIES 11)

Model: MFR25PCATS



CW21-104



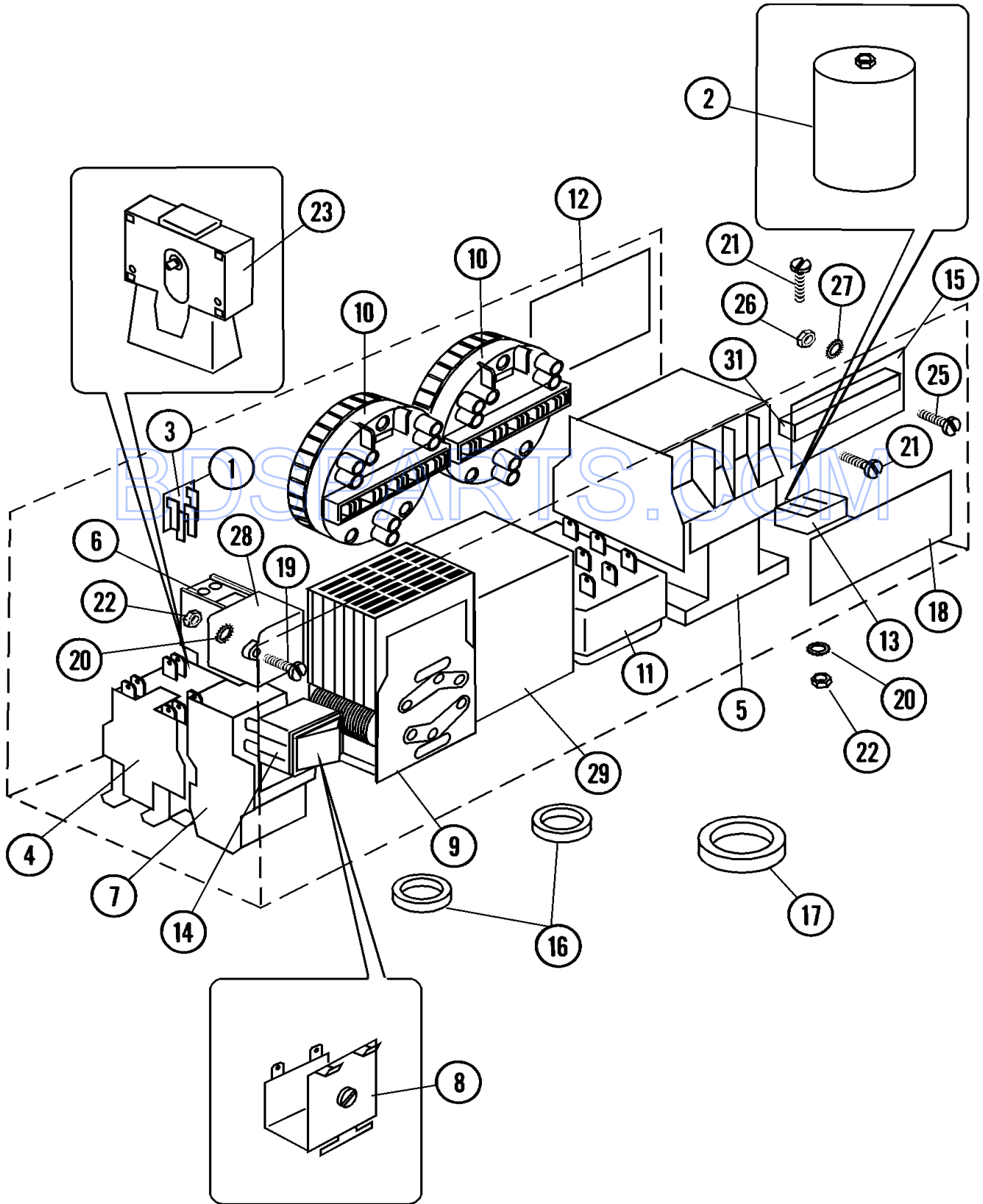
**Section: TIMER & COIN METER ASSY. (SERIES 11)**

No.	Part No.	Description	Series	Qty
1	23003364	PANEL, FRONT	11	1
2	N 23002889	NUT, LOCK (SMALL)	11	1
3	N 23002890	WASHER, SPRING LOCK	11	1
4	23002879	CAM, COIN LOCK BOX	11	1
5	23001580	WASHER (6.4)	11	1
6	23001060	INDICATOR DISC, TIMER	11	1
7	23002880	TIMER, SUPPORT	11	1
8	23002881	PLATE, COIN VAULT ORNAMENTAL	11	1
9	23002882	BOX, COIN	11	1
10	N 23003309	ORNAMENTAL PART COIN VAULT	11	1
11	N 23002891	NUT, LOCK (BIG)	11	1
12	N 23003311	VAULT, COIN (DOUBLE)	11	1
12	N 23003310	VAULT, COIN (SINGLE)	11	1
13	23002885	LOCK, COIN VAULT	11	1
14	23001131	SCREW (M3 X 14 CROSS RECESSED)	11	2
15	N 23002888	WASHER, SELF LOCKING	11	1
16	23001351	TIMER (PR 6023-115V)	11	1
16	23001065	TIMER (PR 6023 230V)	11	1
17	-----	NOT REQUIRED PART OR SEE NOTE		1
-	23001693	MEMORY	11	1
18	23001066	COIN COUNTER (W/LED DISPLAY)	11	1
19	-----	NOT REQUIRED PART OR SEE NOTE	11	1
20	23001068	START RELAY	11	1
21	23002500	WASHER, LOCK	11	2
22	N 23001051	MOUNTING PLATE, START RELAY	11	1
23	23003313	SUPPORT, COIN VAULT	11	1
24	23001734	WASHER (M6)	11	3
25	23001027	WASHER (DIA. 12 X 6.5 X 1.6)	11	3
26	23002952	SCREW (M4X4)	11	4
27	23002423	SCREW (M4 X 10)	11	4
28	23002111	WASHER (4)	11	5
29	23001052	SCREW (M3 X 6 CROSS RECESSED)	11	6
30	23002354	SCREW (M6X16)	11	2
31	23001670	WASHER (M4)	11	2
32	23003314	WASHER (4.3)	11	5
33	N 23002870	LOCKWASHER (M3)	11	2
34	23001012	SCREW (M4 X 12 STNLS STEEL)	11	1
35	N 23002887	SCREW (M6X12)	11	1
36	23001055	NUT (M4)	11	1
37	23001034	NUT (M6)	11	1
-	23002333	PC TO PN CONVERSION (CSA)	11	1
-	23002195	PC-PN CONVERSION KIT	11	1

\*Color Code (-)=Not Shown #=Series, Serial Prefix or Run No., N=Not Available

Section: MAIN CONTROL (SERIES 11)

Model: MFR25PCATS



CW21-105

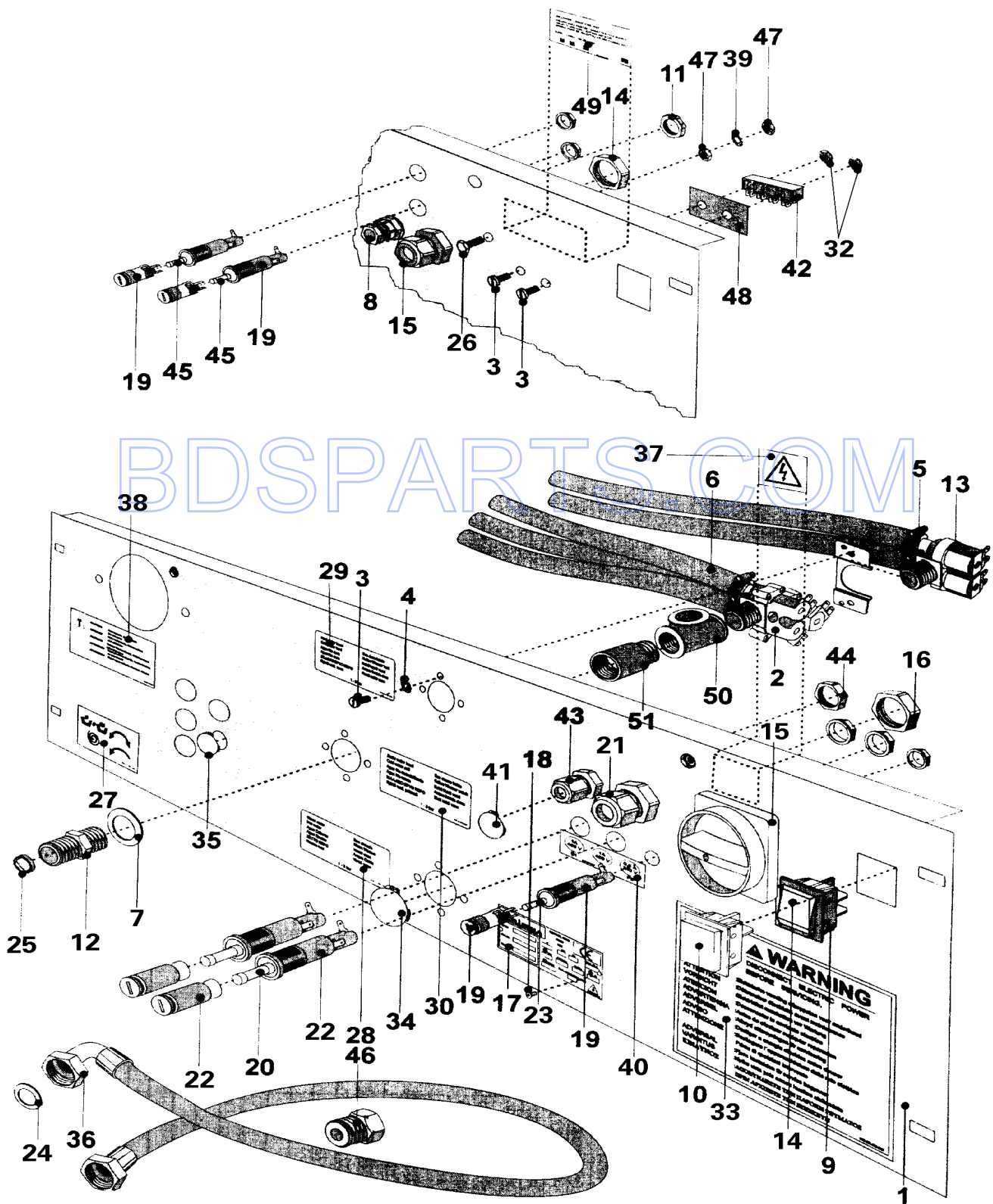
## Section: MAIN CONTROL (SERIES 11)

No.	Part No.	Description	Series	Qty
1	23001094	BRIDGE, RECTIFIER	11	2
2	23001358	CAPACITOR (30MF)	11	2
2	23001357	CAPACITOR (25MF)	11	3
2	23001096	CAPACITOR (60MF)	11	1
2	23001097	CAPACITOR (100MF)	11	3
2	23001098	CAPACITOR (130MF)	11	2
3	23001099	PC BOARD SOCKET	11	2
4	23001547	CONTACTOR	11	2
4	23001101	CONTACTOR (LC1-D1201 M7)	11	2
4	23003751	CONTACTOR LC1 D12	21	2
4	23003750	CONTACTOR LC1 DO9	21	1
4	23001100	CONTACTOR (LC1-D0901 M7)	11	2
5	23001103	CONTACTOR (LC1-D3201 M7)	11	1
5	23001102	CONTACTOR (LC1-D1801 M7)	11	1
6	23001104	AUXILIARY CONTACT (1NO-1NC)	11	1
7	23001108	RELAY, THERMAL OVERLOAD (7-10A)	11	1
7	23001359	RELAY, THERMAL OVERLOAD(2.5-4A)	11	1
7	23003756	OVERLOAD RELAY 4-6A	21	1
7	23002101	RELAY, OVERLOAD (LR2-D1312)	11	1
7	23003757	OVERLOAD RELAY 5.5-8A	21	1
7	23001106	RELAY, THERMAL OVERLOAD (4-6A)	11	1
7	23003758	Overload relay LR2D	21	1
7	23003755	Overload relay LR2D	21	1
9	23001110	TIMER, REVERSING (PR1840)	11	1
10	23001513	SWITCH, WATER LEVEL	11	1
10	23003333	SWITCH, WATER LEVEL	11	1
10	23001360	SWITCH, WATER LEVEL	11	1
11	23002460	THERMOSTAT (4 TEMP)	11	1
14	23001114	ROCKER SWITCH, PREWASH/NO PREW	11	1
15	23001115	INSULATION PAPER	11	1
17	23001117	RING, RUBBER (DIA. 25)	11	1
18	23001118	STICKER, LIQUID SOAP	11	1
19	23002423	SCREW (M4 X 10)	11	4
20	23002111	WASHER (4)	11	4
21	23002398	SCREW (M4X16)	11	4
22	23002399	NUT(M4)	11	6
23	23001119	MECHANICAL INTERLOCK, CONTACTO	11	1
23	23003762	MECHANICAL INTERLOCK	21	1
24	23002952	SCREW (M4X4)	11	4
25	23002806	SCREW (M6 X 25)	11	3
26	23001515	NUT (M6)	11	9
27	23001734	WASHER (M6)	11	3
28 N	23001518	NET FILTER	11	2
29	23002348	TRANSFORMER, CONTROL CIRCUIT	11	1
30	23002959	CONNECTOR	11	1
32	23001465	STICKER, ELECTRICITY WARNING	11	1
33	23002955	BUZZER	11	1
34 N	23001517	STICKER	11	1
35 N	23001546	LABEL, EARTH	11	2
36	23001138	BUSHING, CABLE PASSAGE	11	2
37	23002154	BOARD, TERMINAL (6 POLES)	11	1

\*Color Code (-)=Not Shown #=Series, Serial Prefix or Run No., N=Not Available

Section: WATER VALVE & REAR PANEL (SERIES 11)

Model: MFR25PCATS



CW21-106

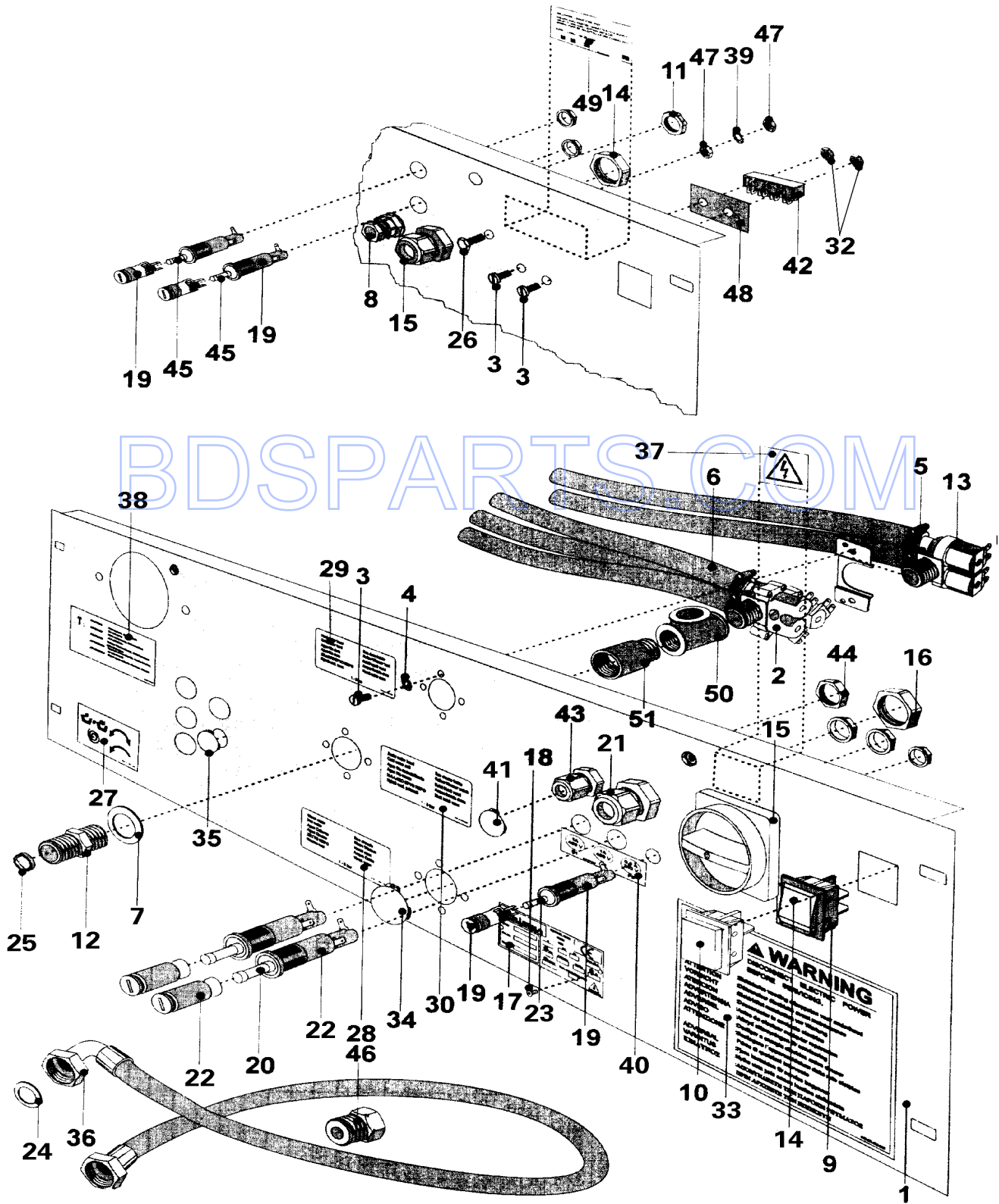
## Section: WATER VALVE & REAR PANEL (SERIES 11)

No.	Part No.	Description	Series	Qty
1	23003321	BRIDGE, REAR (USA)	11	1
1	23003320	BRIDGE, REAR	11	1
2	23003322	VALVE, THREE-WAY (115V 60HZ)	11	1
2	23001533	VALVE, THREE-WAY	11	1
3	23002423	SCREW (M4 X 10)	11	8
5	23001506	CLAMP, HOSE	11	5
6	23001507	WATERHOSE (GREEN)	11	6
8	23002196	SWIVEL, CABLE	11	1
9	23001529	BUTTON (RAPID ADVANCE)	11	1
10	23001452	PLUG (WHT)	11	1
11	23002197	NUT	11	1
13	23001456	VALVE, TWO WAY (115V 60HZ)	11	2
13	23001455	VALVE, TWO WAY (220V 50/60HZ)	11	2
17	23003323	PLATE, ID (USA)	11	1
18	23001461	RIVETS, BLIND	11	2
19	23001462	HOLDER, FUSE	11	1
20	23002918	FUSE (1A)	11	2
24	23002921	WASHER, FILL HOSE	11	2
28 N	23002910	PLATE, INDEX "HOT WATER"	11	1
29 N	23002911	PLATE, INDEX (COLD HARD WATER)	11	1
30 N	23002912	PLATE, INDEX (COLD SOFT WATER)	11	1
31	23001509	STICKER, PIPE THREAD	11	1
34	23001476	PLUG, WATER INLET	11	1
35 N	23002794	PLUG (13)	11	5
36	23001486	HOSE, CONNECTION	11	1
36	23001523	HOSE, CONNECTION	11	1
42	23001113	CONNECTOR HOUSING (4 POLE)	11	1
43	23002196	SWIVEL, CABLE	11	1
44	23002197	NUT	11	1
45	23002918	FUSE (1A)	11	2
46	23001477	ADAPTER (3/4" PIPE TO 3/4" HOS	11	3
47	23001312	NUT (M6)	11	2
48	23001115	INSULATION PAPER	11	1
49 N	23002913	LABEL, TERMINAL	11	1
50	23001485	TEE, 3/4" PIPE THREAD (BRASS)	11	1
51	23001484	EXTENSION, BRASS PIPE THREAD	11	1
52	23001482	NIPPLE (3/4" PIPE THREAD)	11	1
53	23001483	WASHER (DIA. 40 X 6.5 X 3)	11	1
54	23001532	COVER, BUTTON (PLASTIC)	11	1
55	23001731	SWITCH, MAIN (63A)	11	1
55	23002914	SWITCH, MAIN (20A)	11	1
55	23002916	SWITCH, MAIN (80A)	11	1
55	23002915	SWITCH, MAIN (32A)	11	1
56	23002212	NUT	11	1
57 N	23002917	SWIVEL	11	1
58	23002210	HOLDER, FUSE	11	2
59	23002919	FUSE (5A)	11	1
60	23002921	WASHER, FILL HOSE	11	6
61	23002922	FILTER	11	3
62	23003326	BOLT (M6X25)	11	1
63	23001158	WASHER (M6)	11	1
64	23001055	NUT (M4)	11	2
65 N	23003327	LABEL (ELEC. WARNING)	11	1
66	23002920	PLATE, INDEX (FLASH)	11	1
67	23002053	LABEL, WARNING VENT OUT	11	1
68	23001468	STICKER, SPIN DIRECTION	11	1

\*Color Code (-)=Not Shown #=Series, Serial Prefix or Run No., N=Not Available

Section: WATER VALVE & REAR PANEL (SERIES 11)

Model: MFR25PCATS



CW21-106

**Section: WATER VALVE & REAR PANEL (SERIES 11)**

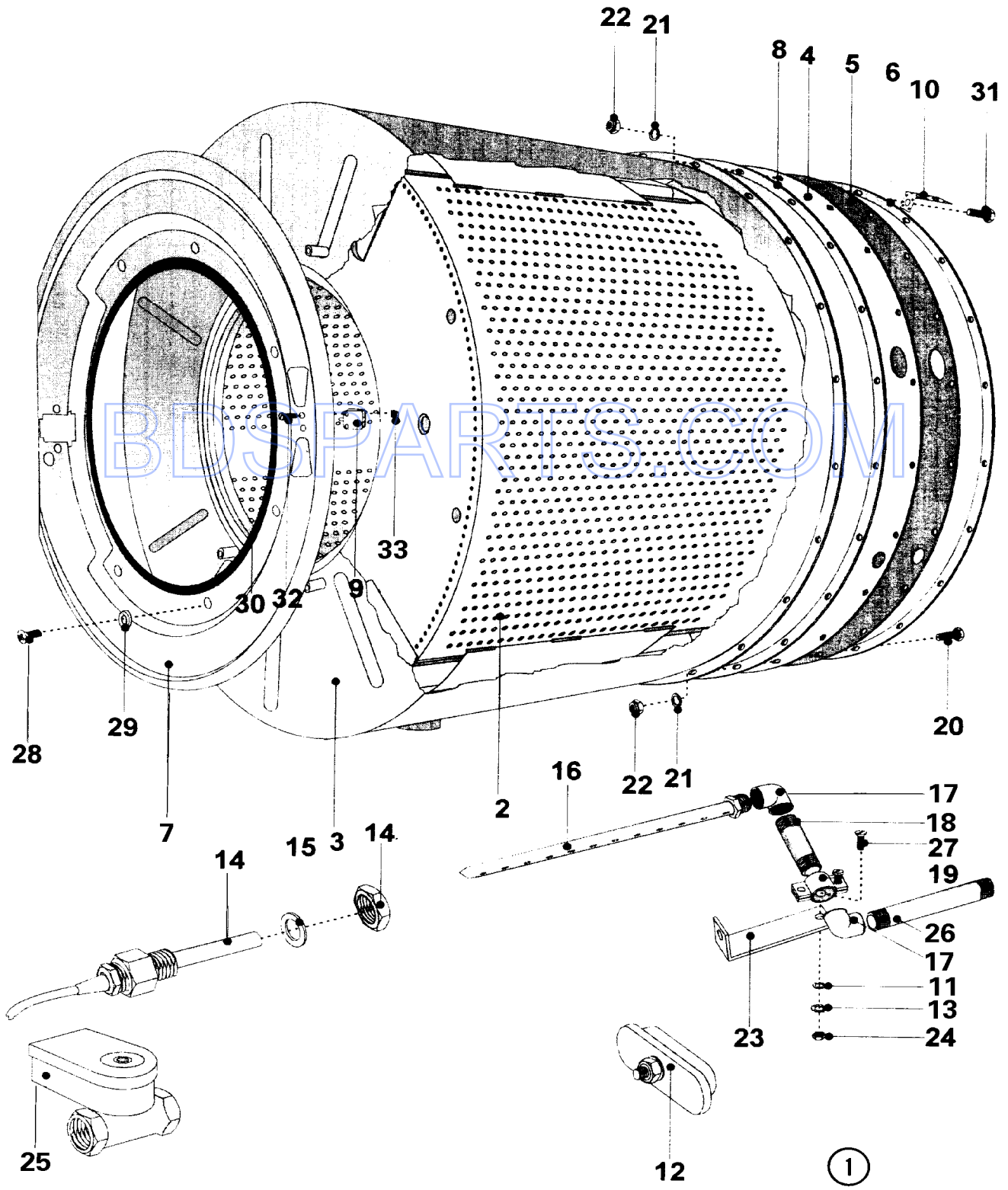
No.	Part No.	Description	Series	Qty
69	23003328	STICKER (1A 400V)	11	1
69 N	23001473	STICKER (1A)	11	1
70	23002243	PLUG, UNIVERSAL	11	1

BDSPARTS.COM

\*Color Code (-)=Not Shown #=Series, Serial Prefix or Run No., N=Not Available

Section: BASKET & OUTER SHELL ASSY. (SERIES 11)

Model: MFR25PCATS



CW21-133



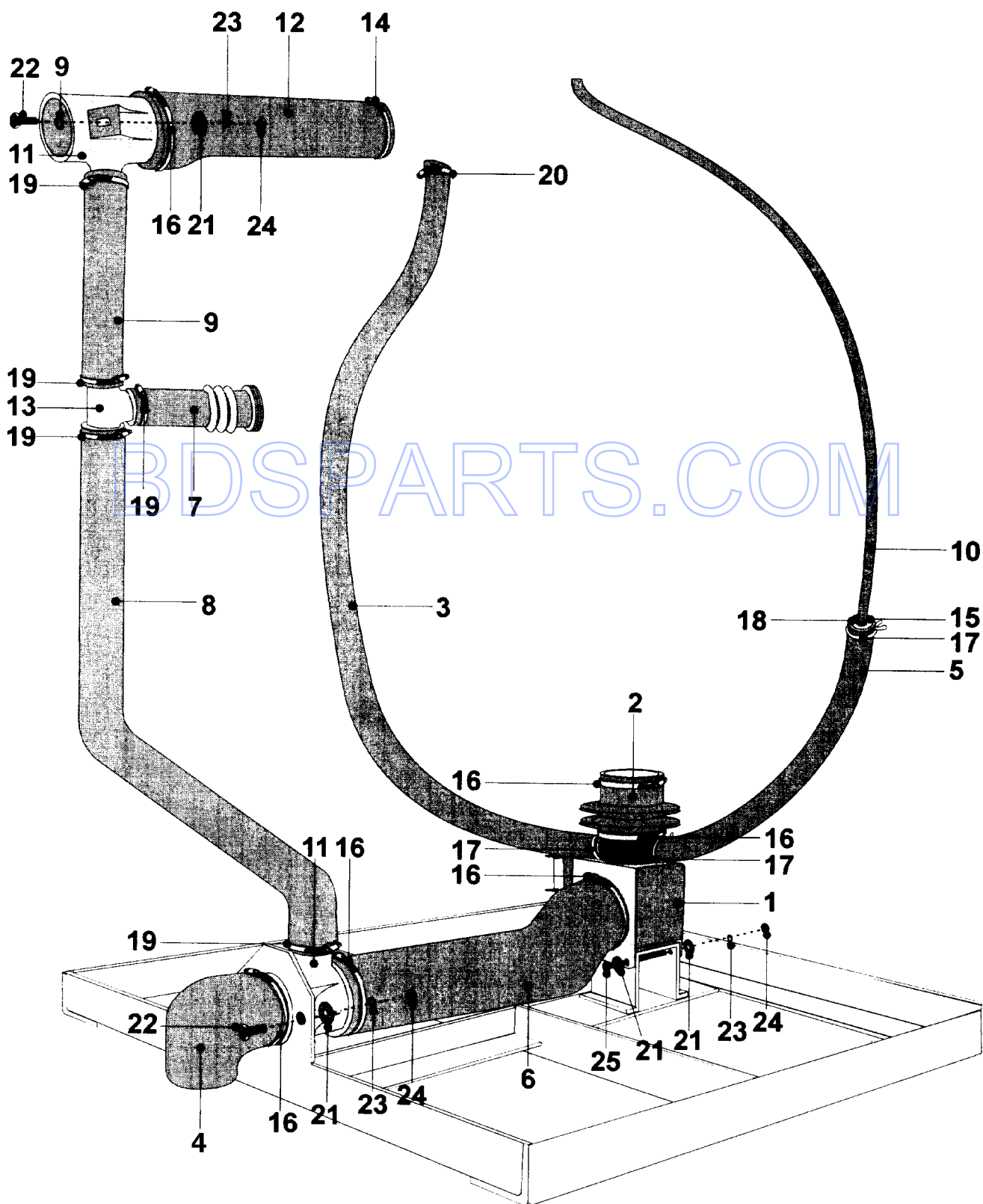
## Section: BASKET & OUTER SHELL ASSY. (SERIES 11)

No.	Part No.	Description	Series	Qty
1	N 23001376	TUB (COMPLETE)	11	1
2	23003336	DRUM/SHAFT	11	1
3	23003338	TUB	11	1
4	N 23001382	PLATE, BACK (STNLS STEEL)	11	1
4	N 23003342	BASE PLATE, RESISTANCE STEAM	11	1
4	23003340	BASE PLATE	11	1
5	23001383	PLATE, BACK (IRON)	11	1
6	N 23003343	RING	11	1
7	N 23001385	SHIELD	11	1
8	23001386	GASKET, SHELL (REAR)	11	1
9	23001200	HINGE, MIRCO SWITCH	11	1
10	23001206	BRACKET, MOTOR HARNESS	11	1
11	23001708	WASHER (5.3)	11	1
12	23001594	BLIND, HEATING ELEMENT	11	3
13	23001333	LOCK WASHER (M5) LU	11	1
14	23001592	ADAPTOR	11	1
15	23002179	WASHER	10	1
16	N 23003347	INJECTOR (HIGH PRESSURE)	10	1
16	N 23003346	INJECTOR (LOW PRESSURE)	10	1
17	N 23003350	ELBOW (1/2")	11	2
18	N 23003351	TUBE (1/2")	11	1
19	N 23003348	CLAMP, STEAM TUBE	10	1
20	23002847	SCREW (M8X45)	10	12
21	23002358	WASHER (M8)	10	12
22	23001607	NUT (M8)	10	12
23	N 23003349	CLAMP, SUPPORT	10	1
24	23002466	NUT (M5)	11	1
25	23003352	VALVE, STEAM (1/2")	11	1
27	23002894	SCREW (M5X15)	11	1
28	23002617	SCREW (M4X8)	11	4
29	23001204	WASHER, FINISHING (DIA. 5)	11	4
30	23001088	RUBBER TRIM	11	1
31	23002646	SCREW (M8 X 40)	11	1
32	23002398	SCREW (M4X16)	11	2
33	23002399	NUT(M4)	11	2

\*Color Code (-)=Not Shown #=Series, Serial Prefix or Run No., N=Not Available

Section: DRAIN & HOSE ASSEMBLY (SERIES 11)

Model: MFR25PCATS



CW21-109

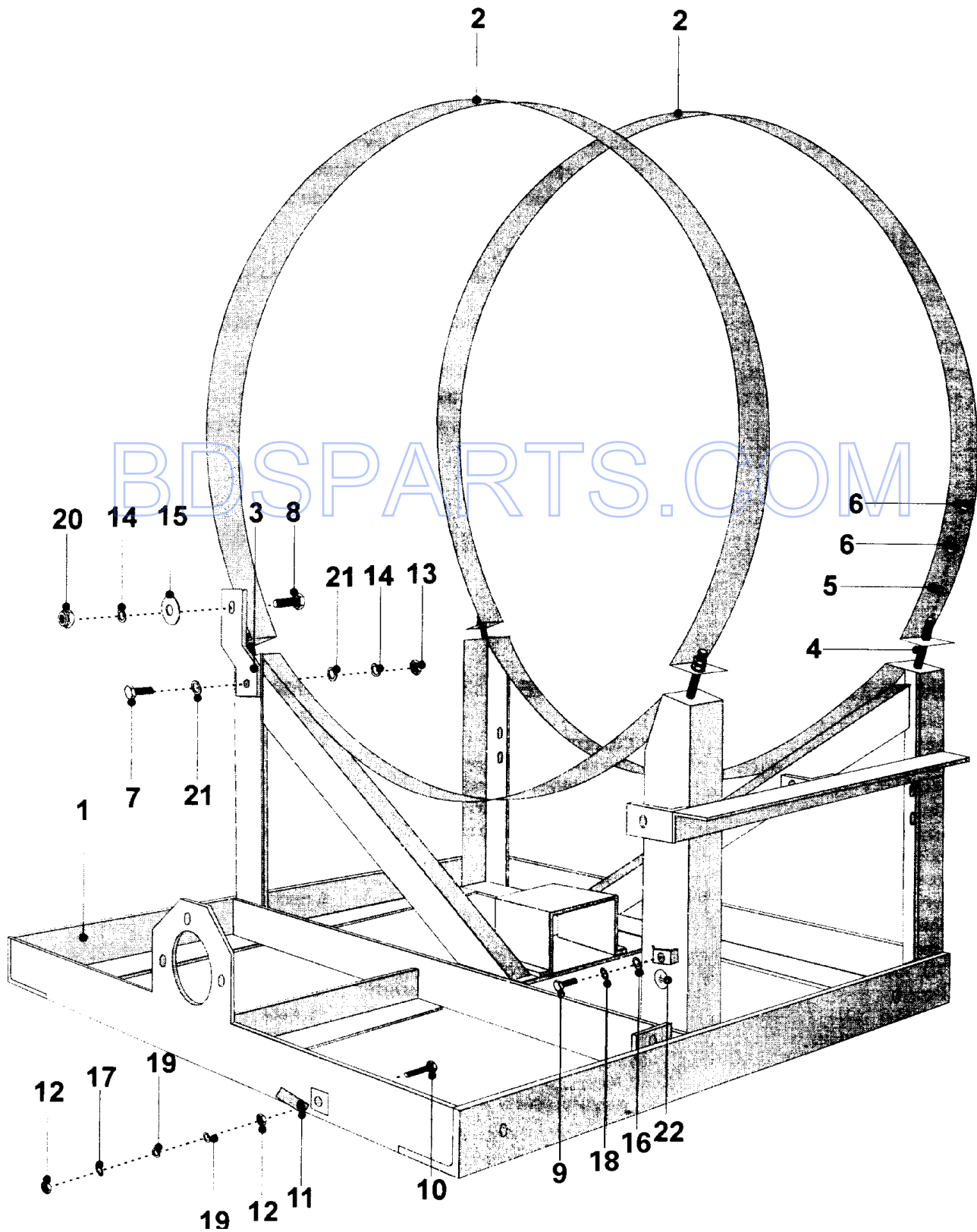
## Section: DRAIN & HOSE ASSEMBLY (SERIES 11)

No.	Part No.	Description	Series	Qty
1	23001402	VALVE, DRAIN (115V 60HZ)	11	1
1	23001244	VALVE, DRAIN (240V-50/60HZ)	11	1
2	23002907	TUB, OUTLET VALVE HOSE	11	1
3	23001246	HOSE, BOTTOM FILL	11	1
4	23003245	ELBOW, 90 DEGREE	11	1
5	23001247	HOSE, AIR DOME (30 CM)	11	1
6	23001248	HOSE, DRAIN	11	1
7	23001250	HOSE, AIR VENT	11	1
8	23001251	HOSE, OVERFLOW	11	1
9	23001203	WASHER (DIA. 16 X 8.4 X 1.6)	11	2
10	23001252	HOSE, WATER LEVEL SWITCH	11	1
11	23001253	DRAIN TEE	11	2
12	23001254	AIR VENT HOSE, SOAP BOX	11	1
13	23001255	TEE, OVERFLOW HOSE	11	1
14	23001256	CLAMP, HOSE (60-80)	11	1
15	23001257	CLAMP, CORBIN (A5.5)	11	1
16	23001258	CLAMP, HOSE (70-90)	11	6
17	23001259	CLAMP, CORBIN (A17.5)	11	3
18	23001260	BUSHING, AIR DOME HOSE	11	1
19	23001261	CLAMP, HOSE (32-50)	11	5
20	23001262	CLAMP, HOSE (20-32)	11	1
21	23002437	WASHER (M8)	11	8
22	23001264	BOLT (M8X20)	11	4
23	23002358	WASHER (M8)	11	6
24	23002435	NUT (M8)	11	6
25	23002908	SCREW (M8X120)	11	2

\*Color Code (-)=Not Shown #=Series, Serial Prefix or Run No., N=Not Available

Section: BASE FRAME (SERIES 11)

Model: MFR25PCATS



CW21-111

**Section: BASE FRAME (SERIES 11)**

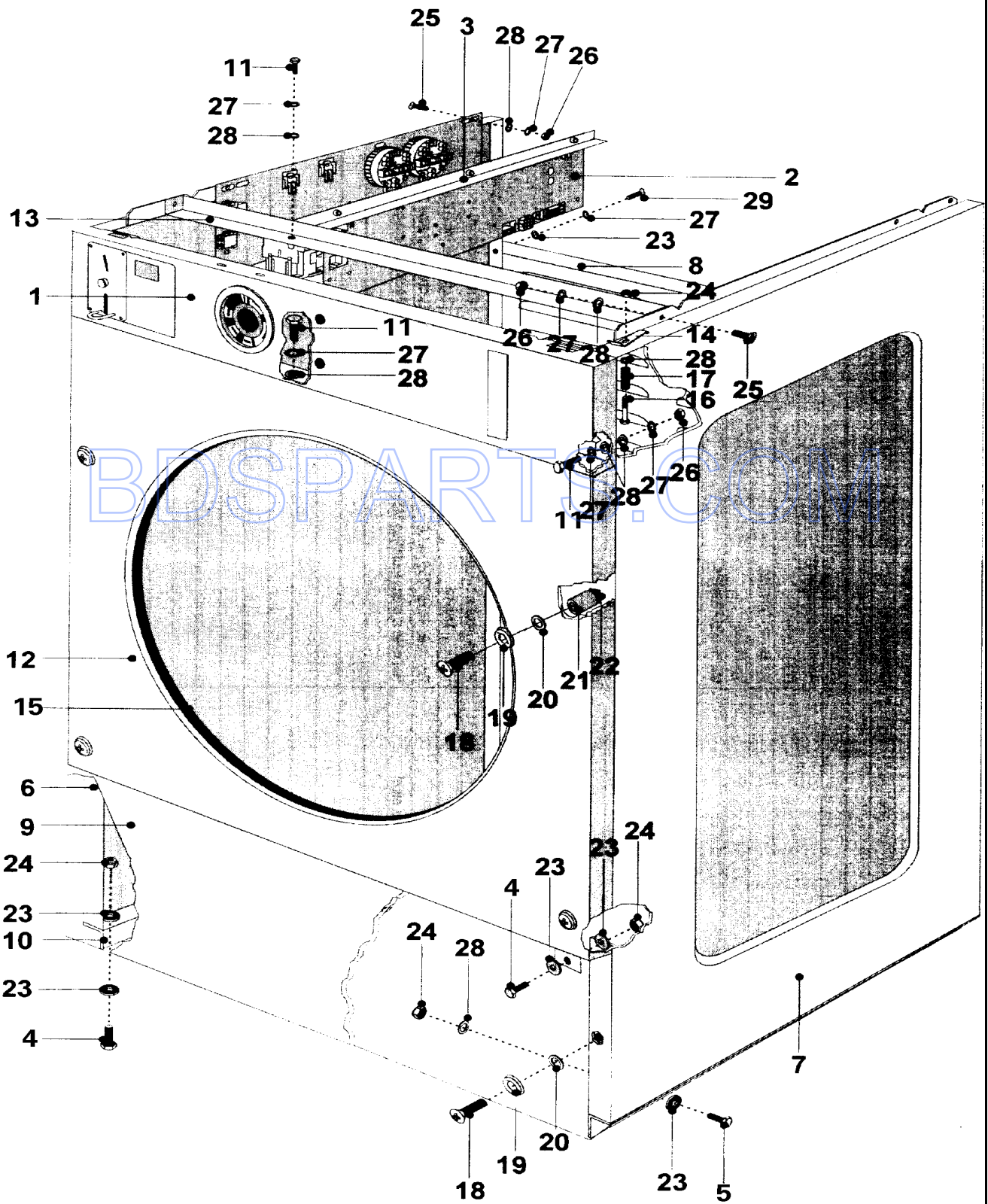
No.	Part No.	Description	Series	Qty
1	N 23003282	FRAME (MFR25)	11	1
2	N 23003283	CLAMP, TUB	11	2
3	N 23003284	BRACE, TUB SUPPORT	11	1
4	23003285	BOLT (M10X50)	11	4
5	23002654	WASHER (10)	11	4
6	23001661	NUT (M10)	11	8
7	23001304	BOLT (M8 X 35)	11	1
8	23002847	SCREW (M8X45)	11	1
10	23002806	SCREW (M6 X 25)	11	1
11	23001308	GROUNDING HARDWARE	11	1
12	23001515	NUT (M6)	11	2
13	23002435	NUT (M8)	11	1
14	23002358	WASHER (M8)	11	2
15	N 23001426	WASHER (DIA. 30 X 8.5 X 2.5)	11	1
17	23001734	WASHER (M6)	11	1
19	23001313	WASHER (6.4)	11	2
20	23002435	NUT (M8)	11	1
21	23001203	WASHER (DIA. 16 X 8.4 X 1.6)	11	2
22	N 23002350	PLATE, INDEX	11	1
23	23002462	SCREW (M6 X 20) LU	11	1

BDSPARTS.COM

\*Color Code (-)=Not Shown #=Series, Serial Prefix or Run No., N=Not Available

Section: CABINET (SERIES 11)

Model: MFR25PCATS



CW12-27

## Section: CABINET (SERIES 11)

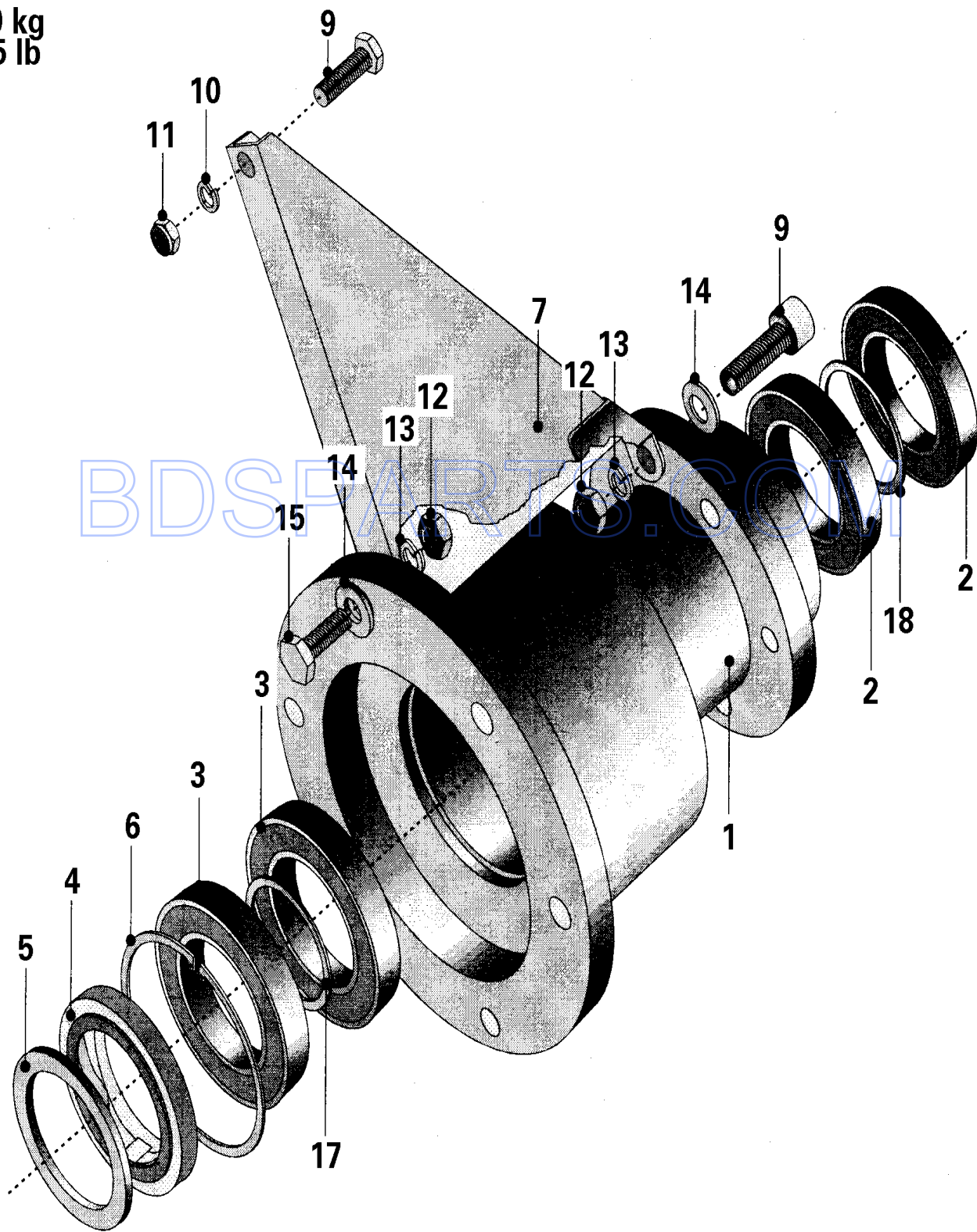
No.	Part No.	Description	Series	Qty
1	23003287	PANEL, CONTROL (W/COIN METER) Note: PANEL, CONTROL	11	1
2	N 23003359	BOX/ELECTRICAL COMPONENTS	11	1
3	N 23003290	HOLDER, ELEC. COMPONENT BOX	11	1
4	23002462	SCREW (M6 X 20) LU	11	4
5	23001335	BOLT (M6 X 25)	11	4
6	23003292	PANEL, SIDE (LT)	11	1
7	23003294	PANEL, SIDE (RT)	11	1
8	23003296	PANEL, REAR	11	1
9	23003297	PANEL, SERVICE	11	1
10	23003299	SUPPORT, SIDE PANEL	11	2
11	23002354	SCREW (M6X16)	11	24
12	23003366	FRONT PANEL, 26X27 1/2	11	1
13	N 23003300	HOLDER, COMPONENTS	11	1
14	23001442	COVER, HOOK	11	2
15	23001088	RUBBER TRIM	11	1
16	23002463	SCREW (M6 X 30)	11	2
17	23001445	COVER, SPRING	11	2
18	23001446	SCREW (M5 X 50 STNLS STEEL)	11	6
19	23001204	WASHER, FINISHING (DIA. 5)	11	6
20	23001447	WASHER, FIBER (12 X 6 X 2)	11	6
21	23002860	TUBE, DISTANCE	11	4
22	23001448	NUT, RAPID (M5)	11	3
23	23001309	WASHER (6.4) LU	11	20
24	23002471	NUT	11	10
25	N 23003301	BOLT (M6X16)	11	5
26	23002651	NUT (M6)	11	9
27	23001734	WASHER (M6)	11	33
28	23001027	WASHER (DIA. 12 X 6.5 X 1.6)	11	35

\*Color Code (-)=Not Shown #=Series, Serial Prefix or Run No., N=Not Available

Section: BEARINGS & TRUNNION ASSY. (SERIES 11)

Model: MFR25PCATS

10 kg  
25 lb



CW21-134



**Section: BEARINGS & TRUNNION ASSY. (SERIES 11)**

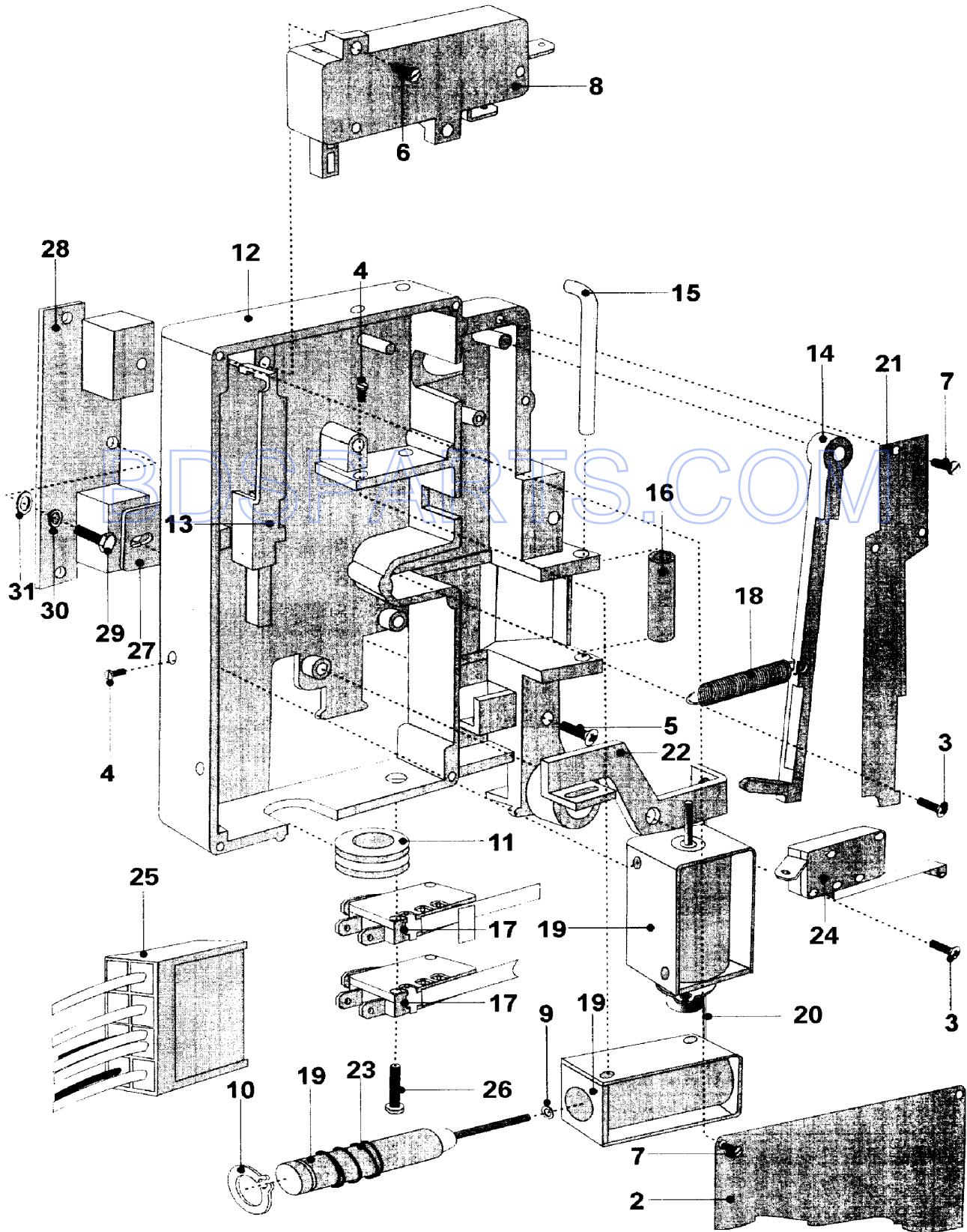
No.	Part No.	Description	Series	Qty
1	23001230	TRUNNION (CASTING ONLY)	11	1
2	23001232	BEARING (REAR)	11	2
3	23001231	BEARING (6209 2RS C3)	11	2
4	23001234	SEAL, WATER	11	1
5	23001233	RING, SEAL	11	1
6	23001235	RING, INTERNAL SNAP	11	1
7	23003369	SPOKE	11	6
8	23001661	NUT (M10)	11	12
9	23001239	BOLT (M10 X 40)	11	6
10	23002358	WASHER (M8)	11	6
11	23001607	NUT (M8)	11	6
12	23001661	NUT (M10)	11	6
13	23001400	LOCK WASHER, SPRING	11	12
14	23001201	WASHER (DIA. 22X11X1 BRASS)	11	12
15	23001374	BOLT (M6 X 20)	11	6
16	23003355	NUT (M8)	11	6
17	23001236	SPACER RING (FRONT BEARING)	11	1
18	23001237	SPACER RING (REAR BEARING)	11	1
-	23002938	TRUNNION (35LBS) Note: ITEMS 1,2,3,& 6	11	1

BDSPARTS.COM

\*Color Code (-)=Not Shown #=Series, Serial Prefix or Run No., N=Not Available

Section: DOOR LOCK ASSEMBLY (SERIES 11)

Model: MFR25PCATS



CW10-39

## Section: DOOR LOCK ASSEMBLY (SERIES 11)

No.	Part No.	Description	Series	Qty
1	23002897	LOCK, DOOR (COMPLETE) Note: DOOR LOCK ASSY.(220V 50/60HZ)	11	1
2	23001130	PLATE, COVER (STNLS STEEL)	11	1
3	23001131	SCREW (M3 X 14 CROSS RECESSED) Note: SCREW (M3X14 CROSS RECESSED)	11	3
4	23001132	SCREW (M3 X 4 CROSS RECESSED) Note: SCREW (M3X4 CROSS RECESSED)	11	4
5	23001133	SCREW (M5 X 25 STAINLESS STEEL Note: SCREW (M5X25 STAINLESS STEEL	11	2
6 N	23001071	PLATE, BACK-UP	11	2
7	23001134	BOLT (M3 X 6) Note: BOLT (M3X6)	11	7
8	23001135	BIMETAL, ACTUATOR (230V)	11	11
9	23001136	WASHER (DIA. 5.1 X 3.3 X 0.1)	11	2
10	23001137	RING, RETAINING (G10)	11	1
11	23001138	BUSHING, CABLE PASSAGE	11	1
12	23002898	GROUND, PLATE LOCK	11	3
13	23001140	BAR, LOCKING	11	1
14	23002899	HANDLE, LOCKING PART	11	1
15	23001142	RETAINER, LOCK TUBE (DIA.4X45)	11	1
16	23001143	LOCK TUBE (DIA. 4X23.5 STNLS)	11	1
17	23001144	MICROSWITCH, SHORT LEVER	11	2
18	23002900	SPRING, LOCKING PART	11	1
19	23001146	COIL (240V)	11	1
19	23001147	COIL (120V)	11	1
20	23002901	CORD, OPENING	11	1
21	23001149	LEAF SPRING, LATCH BAR	11	1
22 N	23002902	LEVEL, OPENING	11	1
23	23002903	SPRING, LOCKING PART	11	1
24	23002337	MICROSWITCH W/ ROLLER ARM	11	1
25	23002904	WIRING, DOOR LOCK	11	1
25 N	23003319	WIRING, DOOR LOCK	11	1
26	23002906	SCREW (M3X25)	11	2
27	23001155	SHIM	11	1
28	23001156	SPACER, LOCK	11	1
29	23002353	SCREW (M6X12)	11	3
30	23001158	WASHER (M6)	11	3
31	23001159	WASHER (DIA. 14X8.6X1 STNLS)LU	11	3

\*Color Code (-)=Not Shown #=Series, Serial Prefix or Run No., N=Not Available

