

WASHER

Repair Parts List

MODEL NUMBER

MFR25PDATS

BDSPARTS.COM

When requesting service or ordering parts, always provide the following information:

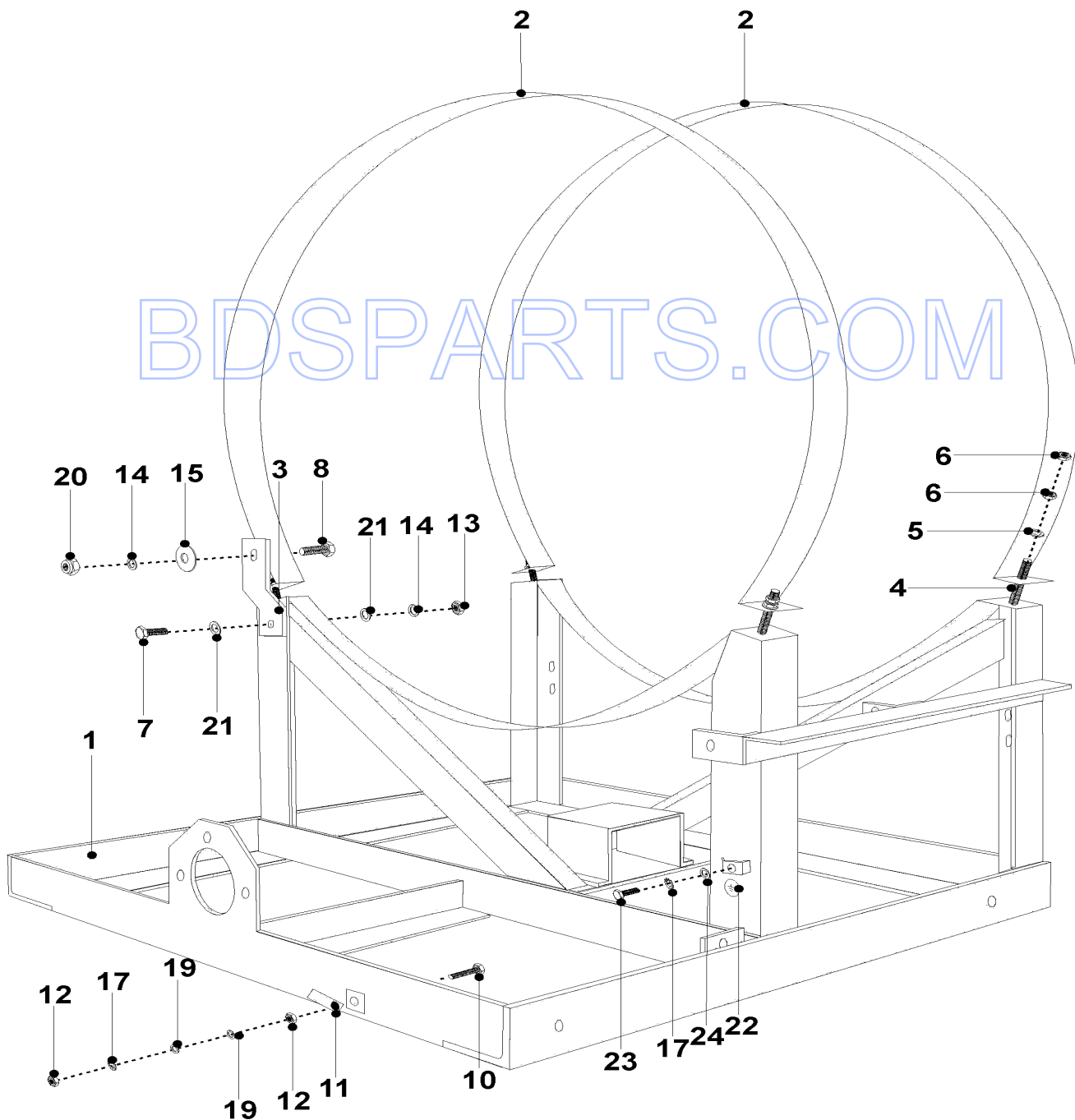
- Product Type
- Part Number
- Model Number
- Part Description

MAYTAG®

©2005 Maytag Services

Section: BASE FRAME

Model: MFR25PDATS



CW19-30

Section: BASE FRAME

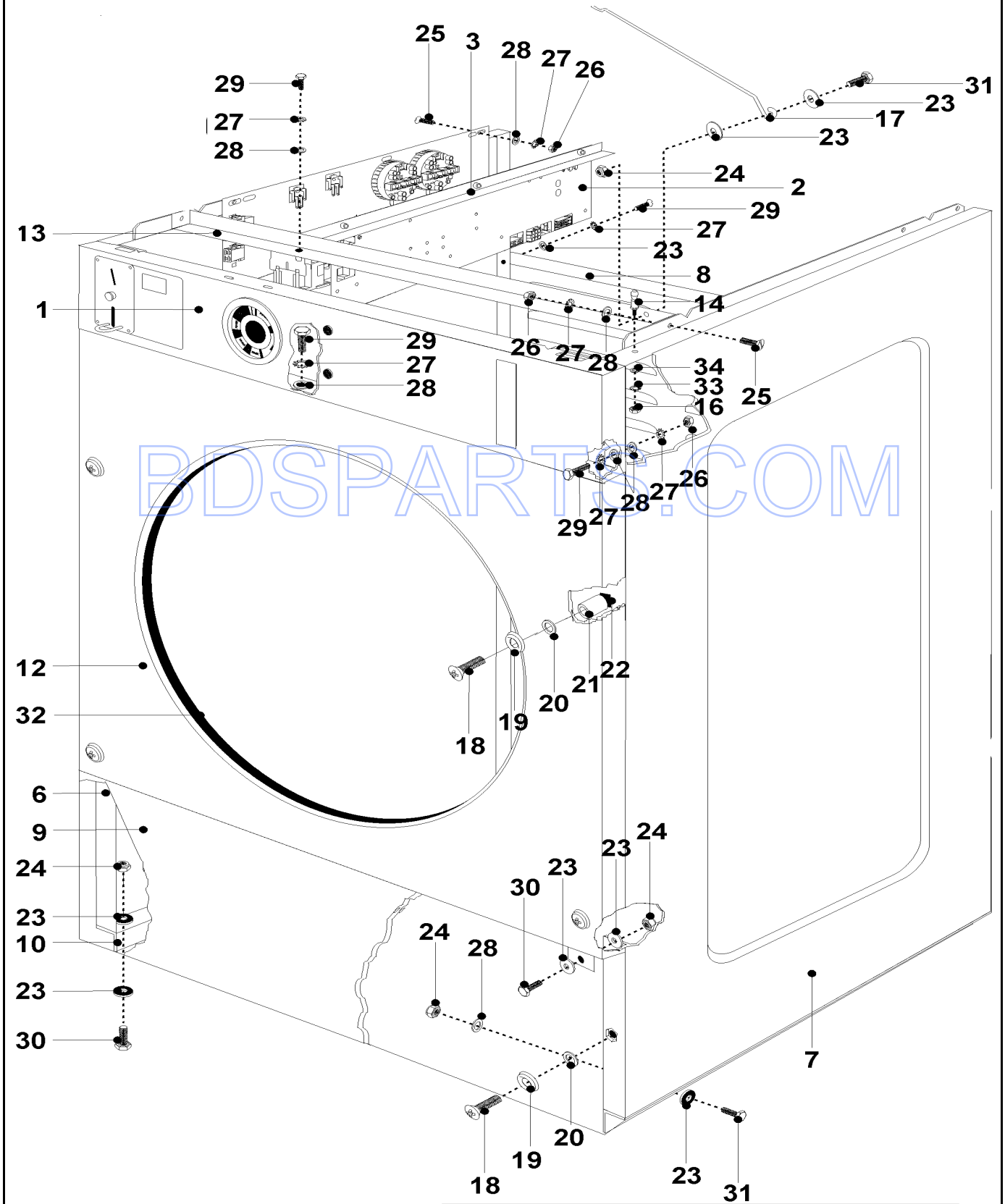
| No. | Part No. | Description | Series | Qty |
|-----|------------|------------------------------|--------|-----|
| 1 | N 23003282 | FRAME (MFR25) | 10 | 1 |
| 2 | N 23003283 | CLAMP, TUB | 10 | 2 |
| 3 | N 23003284 | BRACE, TUB SUPPORT | 10 | 1 |
| 4 | 23003285 | BOLT (M10X50) | 10 | 4 |
| 5 | 23002654 | WASHER (10) | 10 | 4 |
| 6 | 23003764 | NUT M10 | 10 | 8 |
| 7 | 23003765 | BOLT M8X35 | 10 | 1 |
| 8 | 23002847 | SCREW (M8X45) | 10 | 1 |
| 10 | 23002806 | SCREW (M6 X 25) | 10 | 1 |
| 11 | 23001308 | GROUNDING HARDWARE | 10 | 1 |
| 12 | 23002651 | NUT (M6) | 10 | 1 |
| 13 | 23003766 | NUT M8 | 10 | 1 |
| 14 | 23002358 | WASHER (M8) | 10 | 1 |
| 15 | N 23001426 | WASHER (DIA. 30 X 8.5 X 2.5) | 10 | 1 |
| 17 | 23002425 | WASHER, LOCK | 10 | 1 |
| 19 | 23003767 | WASHER BRASS | 10 | 2 |
| 20 | 23003766 | NUT M8 | 10 | 1 |
| 21 | 23003769 | WASHER M8 | 10 | 2 |
| 22 | N 23002350 | PLATE, INDEX | 10 | 1 |
| 23 | 23002422 | SCREW (M6 X 12) | 10 | 1 |
| 24 | 23002424 | WASHER | 10 | 1 |

BDSPARTS.COM

*Color Code (-)=Not Shown #=Series, Serial Prefix or Run No., N=Not Available

Section: CABINET

Model: MFR25PDATS



CW12-40

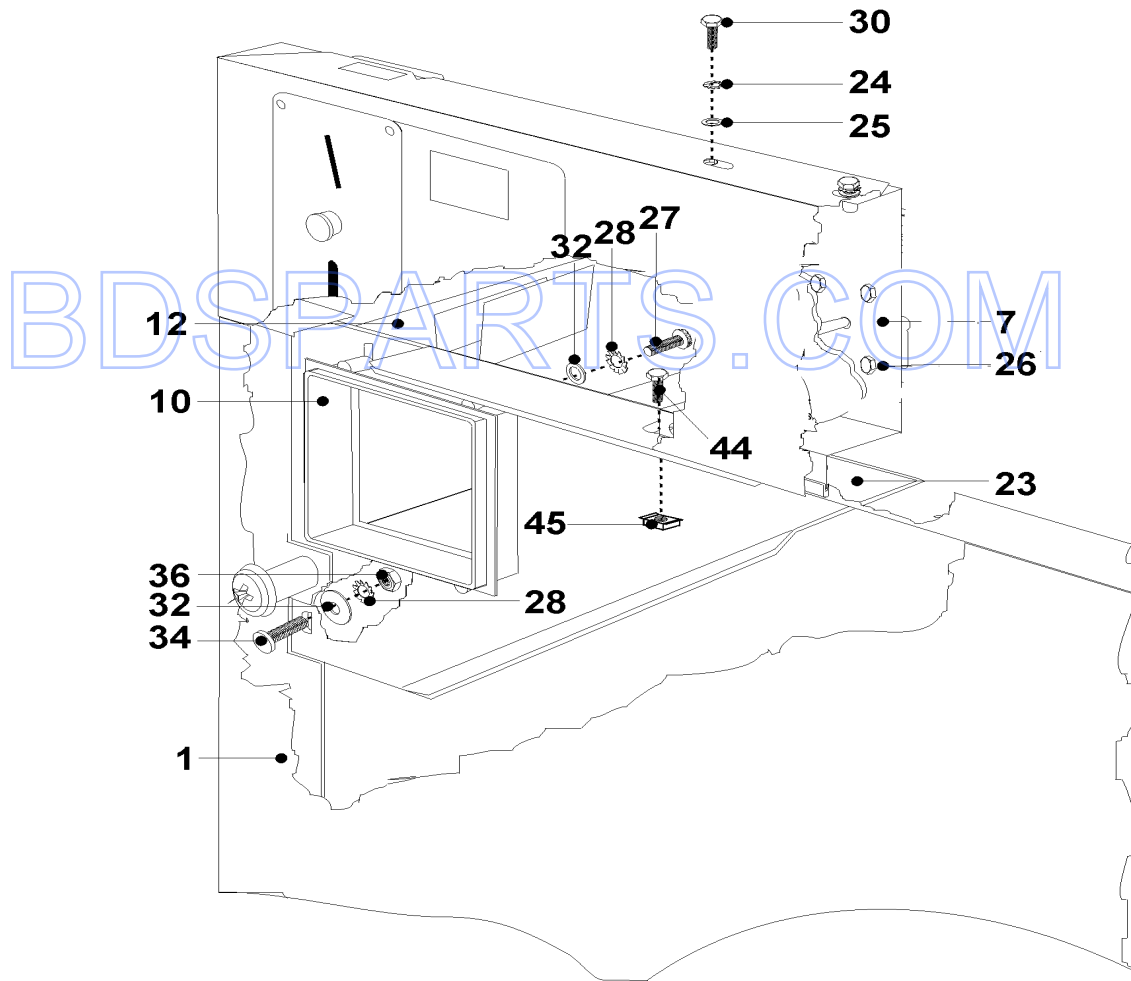
Section: CABINET

| No. | Part No. | Description | Series | Qty |
|-----|------------|-----------------------------|--------|-----|
| 1 | N 23003288 | PANEL, CONTROL (W/MKII) | 10 | 1 |
| 2 | N 23002961 | HOLDER, CONDENSER | 10 | 1 |
| 3 | N 23003290 | HOLDER, ELEC. COMPONENT BOX | 10 | 1 |
| 6 | 23003292 | PANEL, SIDE (LT) | 10 | 1 |
| 7 | 23003294 | PANEL, SIDE (RT) | 10 | 1 |
| 8 | 23003296 | PANEL, REAR | 10 | 1 |
| 9 | 23001436 | PANEL, ACCESS (LWR) | 10 | 1 |
| 10 | 23003299 | SUPPORT, SIDE PANEL | 10 | 1 |
| 12 | 23003362 | PANEL, FRONT | 10 | 1 |
| 13 | N 23003300 | HOLDER, COMPONENTS | 10 | 1 |
| 14 | 23001332 | PIN, SRV | 10 | 4 |
| 16 | 23002466 | NUT (M5) | 10 | 6 |
| 17 | 23001330 | SUPPORT ROD, TOP PANEL | 10 | 2 |
| 18 | 23003772 | BOLT M5X50 STNS STL | 10 | 6 |
| 19 | 23001204 | WASHER, FINISHING (DIA. 5) | 10 | 6 |
| 20 | 23001447 | WASHER, FIBER (12 X 6 X 2) | 10 | 4 |
| 21 | 23002860 | TUBE, DISTANCE | 10 | 1 |
| 22 | 23001448 | NUT, RAPID (M5) | 10 | 4 |
| 23 | 23002469 | WASHER | 10 | 14 |
| 24 | 23002471 | NUT | 10 | 8 |
| 25 | N 23003301 | BOLT (M6X16) | 10 | 2 |
| 26 | 23003773 | NUT M6 | 10 | 2 |
| 27 | 23002440 | WASHER, SPRING LOCK (6) | 10 | 6 |
| 28 | 23003774 | WASHER 12 | 10 | 6 |
| 29 | 23002461 | SCREW (M6 X16) | 10 | 4 |
| 30 | 23002462 | SCREW (M6 X 20) LU | 10 | 6 |
| 31 | 23002861 | SCREW (M6X25) LU | 10 | 4 |
| 32 | 23002473 | RUBBER, PROTECTIVE | 10 | 1 |
| 33 | 23002465 | WASHER, LOCK | 10 | 6 |
| 34 | 23002862 | WASHER (5,3) | 10 | 6 |

*Color Code (-)=Not Shown #=Series, Serial Prefix or Run No., N=Not Available

Section: TIMER AND COIN VAULT

Model: MFR25PDATS



CD13-10

Section: TIMER AND COIN VAULT

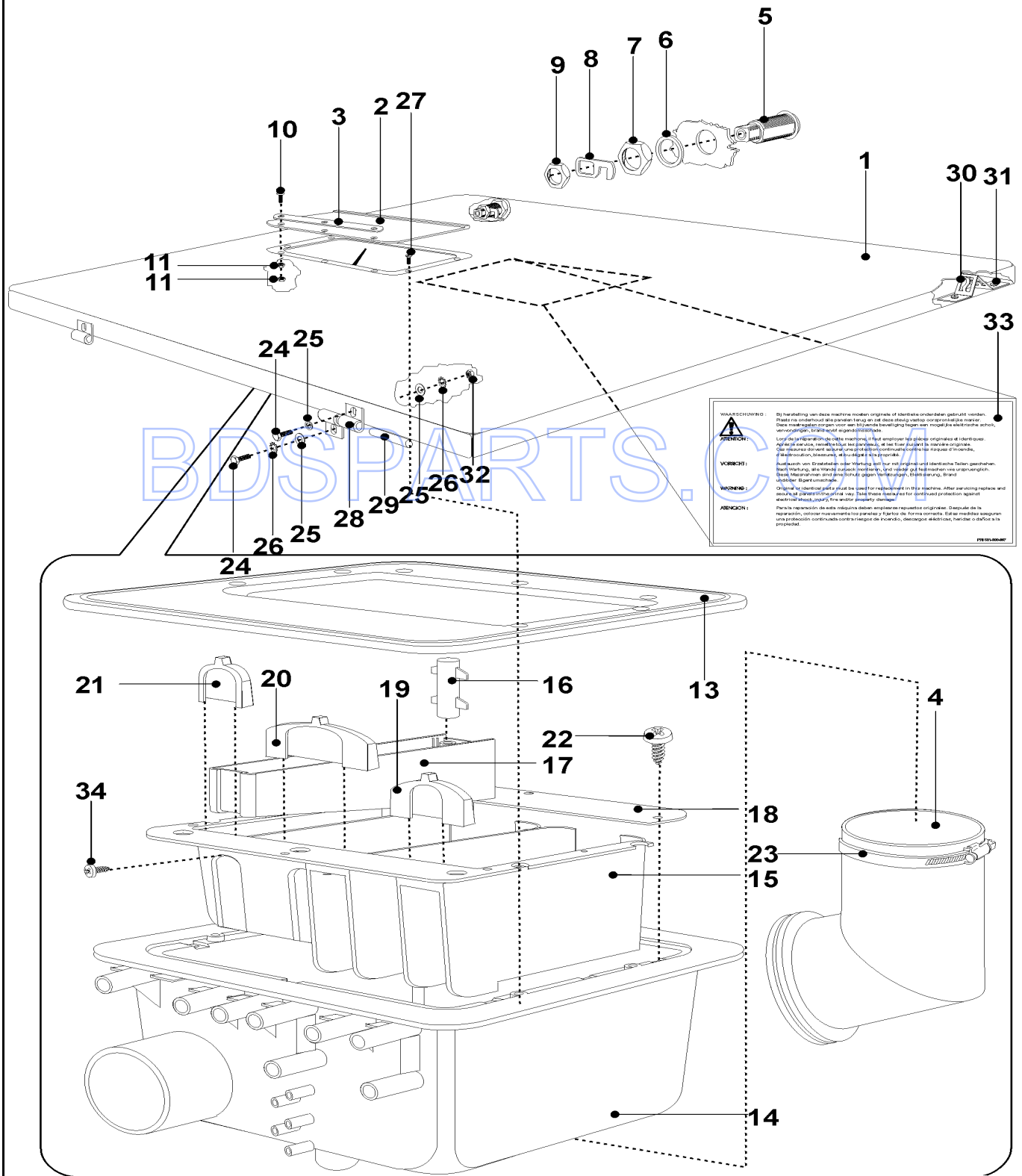
| No. | Part No. | Description | Series | Qty |
|------|----------|-----------------------------|--------|-----|
| 1 | 23001347 | FRONT PANEL, 26X27 1/2 | 10 | 1 |
| 7 | 23002880 | TIMER, SUPPORT | 10 | 1 |
| 10 | 23003775 | ORNAMENTAL PART COIN VAULT | 10 | 1 |
| 12 | 23002884 | VAULT, COIN (SINGLE) LU | 10 | 1 |
| 12 | 23003974 | VAULT, COIN MFR18/25 | 23 | 1 |
| 23 | 23003777 | SUPPORT, COIN VAULT(MFR25) | 10 | 1 |
| 24 | 23002425 | WASHER, LOCK | 10 | 1 |
| 25 | 23003774 | WASHER 12 | 10 | 1 |
| 26 | 23002886 | SCREW (M4X4) | 10 | 1 |
| 27 | 23002423 | SCREW (M4 X 10) | 10 | 1 |
| 28 | 23002111 | WASHER (4) | 10 | 1 |
| 29 | 23002717 | SCREW (M3 X 6) | 10 | 1 |
| 30 | 23002461 | SCREW (M6 X16) | 10 | 1 |
| 32 | 23001545 | WASHER | 10 | 1 |
| 34 | 23001012 | SCREW (M4 X 12 STNLS STEEL) | 10 | 1 |
| 36 | 23003666 | NUT (M4) | 10 | 1 |
| 44 N | 23002182 | BOLT (M6X16) | 10 | 1 |
| 45 | 23002455 | NUT, RAPID (M6) | 10 | 1 |

BDSPARTS.COM

*Color Code (-)=Not Shown #=Series, Serial Prefix or Run No., N=Not Available

Section: TOP COVER AND SOAP BOX

Model: MFR25PDATS



CW13-20

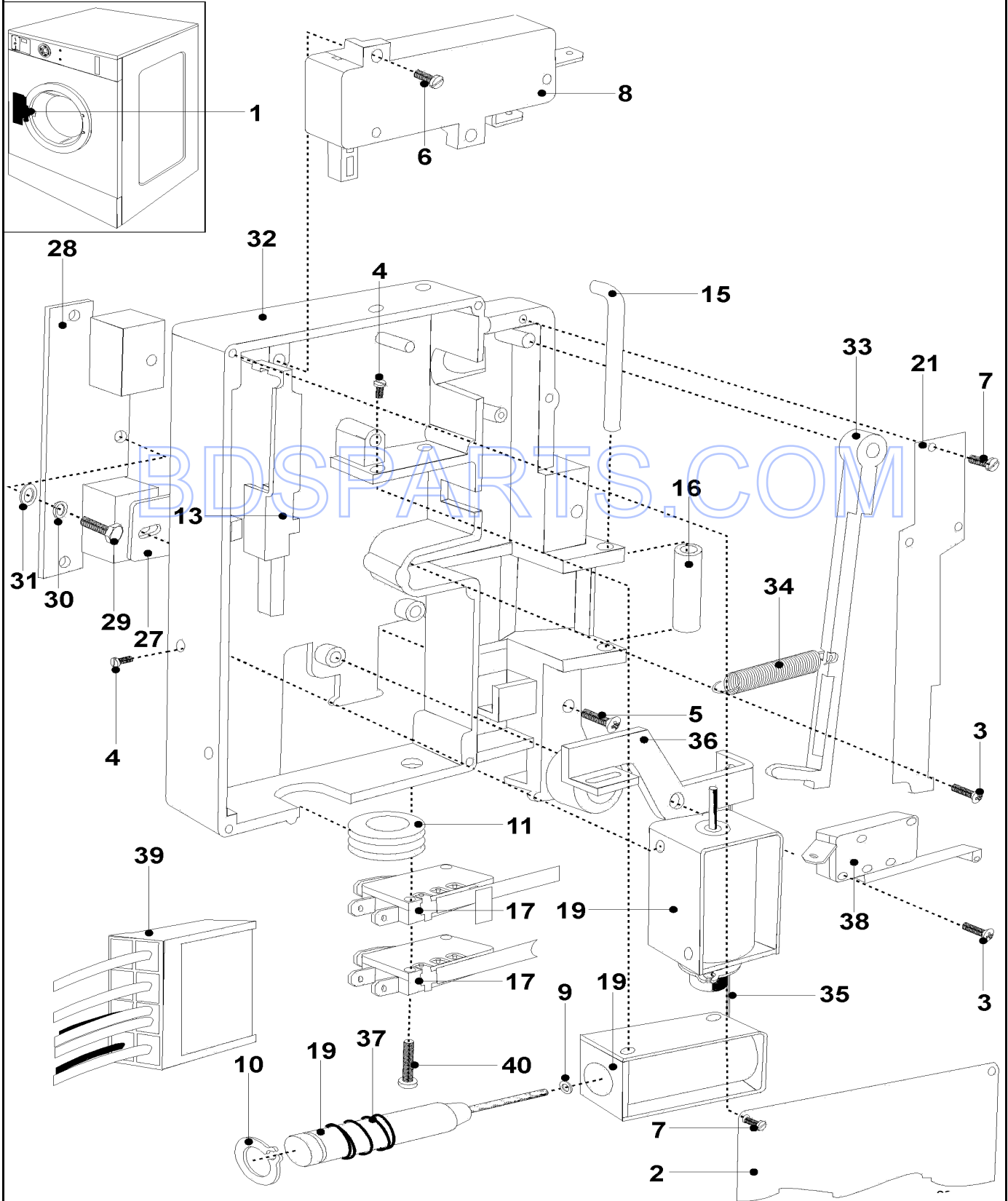
Section: TOP COVER AND SOAP BOX

| No. | Part No. | Description | Series | Qty |
|-----|----------|--------------------------------|--------|-----|
| 1 | 23003780 | COVER W/TWO LOCKS (MFR25) | 10 | 1 |
| 2 | 23001003 | RUBBER COVER, SOAP BOX | 10 | 1 |
| 3 | 23003781 | LACTH, SOAP HOPPER COVER | 10 | 1 |
| 4 | 23001005 | RUBBER HOSE, SOAP BOX | 10 | 1 |
| 5 | 23001006 | LOCK, TOP PANEL | 10 | 2 |
| 6 | 23001007 | WASHER, FIBER | 10 | 2 |
| 7 | 23001008 | LOCK NUT (LARGE) | 10 | 2 |
| 8 | 23001009 | LOCK HOOK (SHORT) | 10 | 2 |
| 9 | 23001011 | NUT | 10 | 2 |
| 10 | 23001012 | SCREW (M4 X 12 STNLS STEEL) | 10 | 2 |
| 11 | 23002652 | NUT (QTY OF 4 = 1 PIECE) | 10 | 1 |
| 13 | 23001015 | RUBBER SEAL, SOAP BOX | 10 | 1 |
| 14 | 23001016 | SOAP BOX HOUSING | 10 | 1 |
| 15 | 23001017 | SOAP BOX INSERT | 10 | 1 |
| 16 | 23001018 | SIPHON | 10 | 1 |
| 17 | 23001019 | TRAY | 10 | 1 |
| 18 | 23001020 | COVER, PLATE | 10 | 1 |
| 19 | 23001021 | DRAWER, PREWASH | 10 | 1 |
| 20 | 23001022 | DRAWER, MAIN WASH | 10 | 1 |
| 21 | 23001023 | DRAWER, LAST RINSE | 10 | 1 |
| 22 | 23003782 | SCREW 3 STAINLESS STEEL LU | 10 | 3 |
| 23 | 23001025 | CLAMP, HOSE (DIA 90/110) | 10 | 1 |
| 24 | 23002461 | SCREW (M6 X16) | 10 | 4 |
| 25 | 23003012 | WASHER LU | 10 | 4 |
| 26 | 23002440 | WASHER, SPRING LOCK (6) | 10 | 4 |
| 27 | 23002894 | SCREW (M5X15) | 10 | 6 |
| 28 | 23001030 | HINGE, TOP COVER | 10 | 2 |
| 29 | 23001031 | HINGE SHAFT (10 X 56 BRASS) | 10 | 2 |
| 30 | 23001032 | CLAMP, SRV | 10 | 2 |
| 31 | 23001033 | RIVETS, BLIND (DIA. 3.2 X 8)LU | 10 | 4 |
| 32 | 23002436 | NUT (M6) | 10 | 4 |
| 33 | 23001550 | LABEL, EARTH | 10 | 1 |
| 34 | 23003783 | SCREW 2 | 10 | 4 |

*Color Code (-)=Not Shown #=Series, Serial Prefix or Run No., N=Not Available

Section: DOOR LOCK

Model: MFR25PDATS



CW21-154

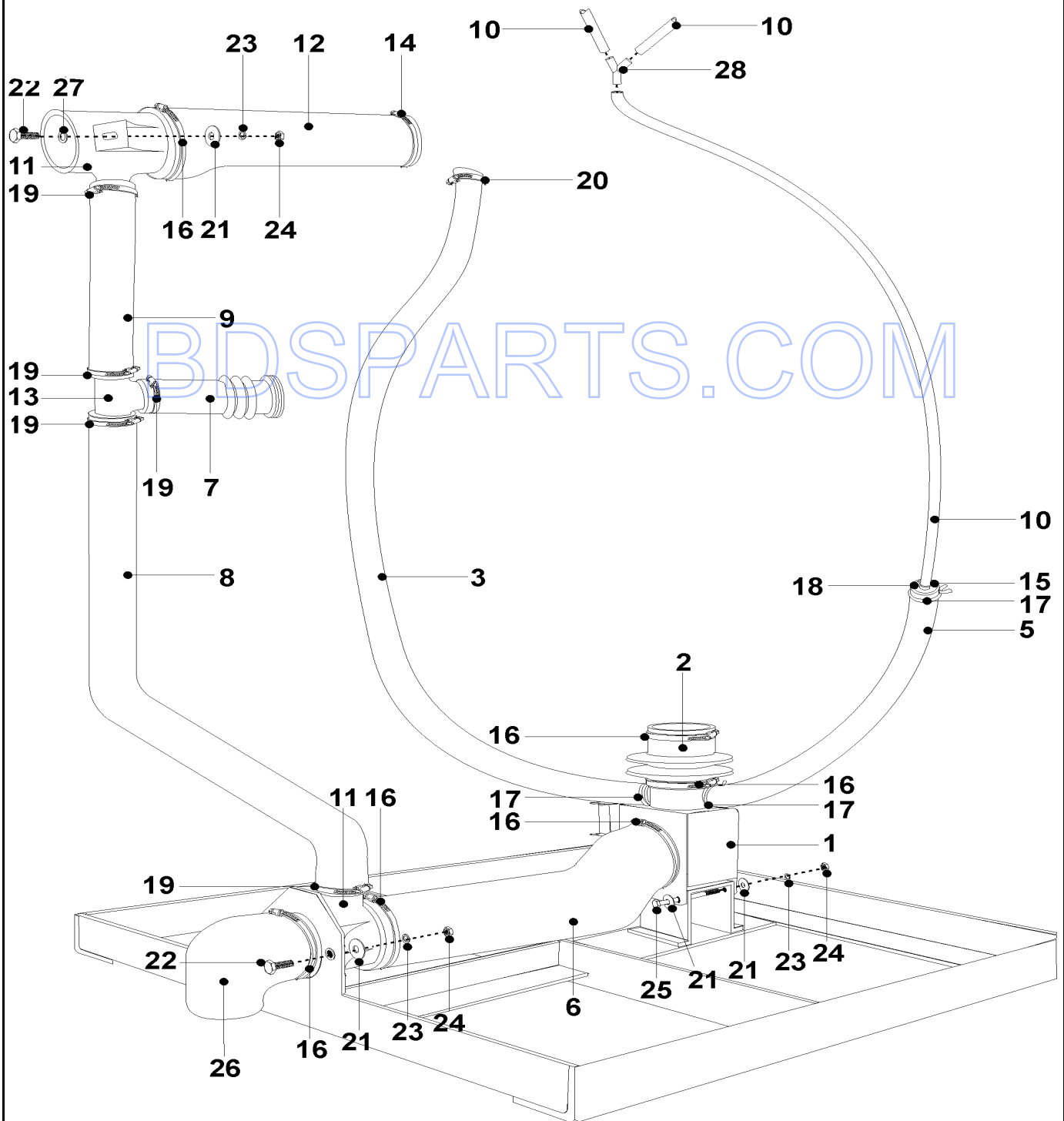
Section: DOOR LOCK

| No. | Part No. | Description | Series | Qty |
|------|-----------|--------------------------------|--------|-----|
| 1 | Y23002897 | LOCK, DOOR (COMPLETE) | 10 | 1 |
| 2 | 23001130 | PLATE, COVER (STNLS STEEL) | 10 | 1 |
| 3 | 23003115 | SCREW (M3X14) | 10 | 2 |
| 4 | 23002869 | SCREW (M3X6) | 10 | 2 |
| 5 | 23003784 | BOLT M5X25 STS STL | 10 | 1 |
| 6 | 23003114 | SCREW (M4X8) LU | 10 | 1 |
| 7 | 23003113 | SCREW (M3X6) | 10 | 4 |
| 8 | 23001135 | BIMETAL, ACTUATOR (230V) | 10 | 1 |
| 9 | 23001136 | WASHER (DIA. 5.1 X 3.3 X 0.1) | 10 | 1 |
| 10 | 23001137 | RING, RETAINING (G10) | 10 | 1 |
| 11 | 23001138 | BUSHING, CABLE PASSAGE | 10 | 1 |
| 13 | 23001140 | BAR, LOCKING | 10 | 1 |
| 15 | 23001142 | RETAINER, LOCK TUBE (DIA.4X45) | 10 | 1 |
| 16 | 23001143 | LOCK TUBE (DIA. 4X23.5 STNLS) | 10 | 1 |
| 17 | 23001144 | MICROSWITCH, SHORT LEVER | 10 | 1 |
| 19 | 23001146 | COIL (240V) | 10 | 1 |
| 19 | 23001147 | COIL (120V) | 10 | 1 |
| 21 | 23001149 | LEAF SPRING, LATCH BAR | 10 | 1 |
| 27 | 23001155 | SHIM | 10 | 3 |
| 28 | 23001156 | SPACER, LOCK | 10 | 1 |
| 29 | 23002422 | SCREW (M6 X 12) | 10 | 3 |
| 30 | 23002440 | WASHER, SPRING LOCK (6) | 10 | 3 |
| 31 | 23002424 | WASHER | 10 | 3 |
| 32 | Y23002898 | GROUND, PLATE LOCK | 10 | 1 |
| 33 | 23002899 | HANDLE, LOCKING PART | 10 | 1 |
| 34 | 23002900 | SPRING, LOCKING PART | 10 | 1 |
| 35 | 23002901 | CORD, OPENING | 10 | 1 |
| 36 N | 23002902 | LEVEL, OPENING | 10 | 1 |
| 37 | 23002903 | SPRING, LOCKING PART | 10 | 1 |
| 38 | 23002337 | MICROSWITCH W/ ROLLER ARM | 10 | 1 |
| 39 | 23002905 | WIRING, DOOR LOCK | 10 | 1 |
| 40 | 23002906 | SCREW (M3X25) | 10 | 1 |

*Color Code (-)=Not Shown #=Series, Serial Prefix or Run No., N=Not Available

Section: DRAIN AND HOSE ASSY

Model: MFR25PDATS



CW21-155

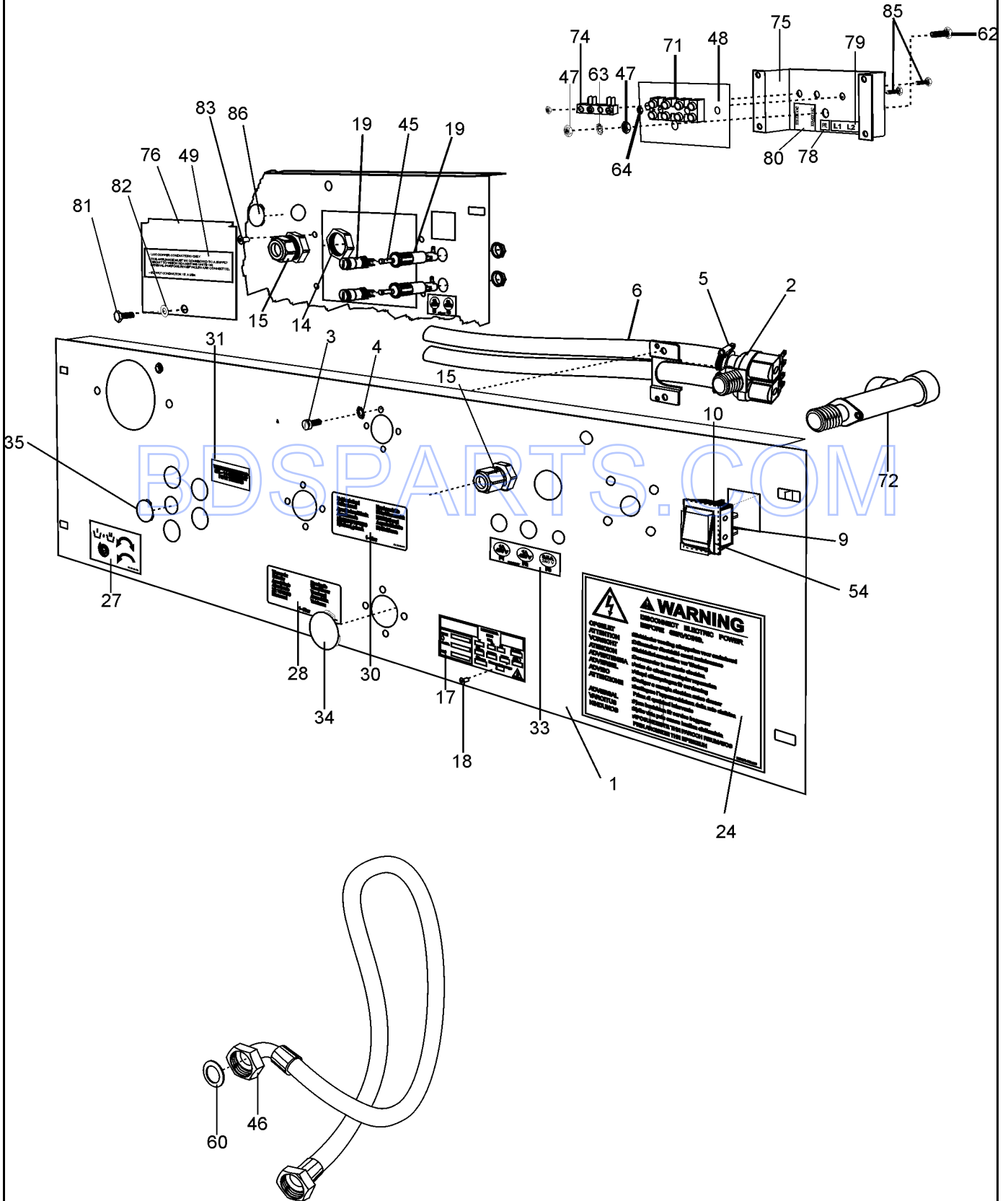
Section: DRAIN AND HOSE ASSY

| No. | Part No. | Description | Series | Qty |
|-----|----------|-----------------------------|--------|-----|
| 1 | 23001244 | VALVE, DRAIN (240V-50/60HZ) | 10 | 1 |
| 2 | 23002907 | TUB, OUTLET VALVE HOSE | 10 | 1 |
| 3 | 23001246 | HOSE, BOTTOM FILL | 10 | 1 |
| 5 | 23001247 | HOSE, AIR DOME (30 CM) | 10 | 1 |
| 6 | 23001248 | HOSE, DRAIN | 10 | 1 |
| 7 | 23001250 | HOSE, AIR VENT | 10 | 1 |
| 8 | 23001251 | HOSE, OVERFLOW | 10 | 1 |
| 9 | 23001251 | HOSE, OVERFLOW | 10 | 1 |
| 10 | 23001252 | HOSE, WATER LEVEL SWITCH | 10 | 1 |
| 11 | 23001253 | DRAIN TEE | 10 | 1 |
| 12 | 23001254 | AIR VENT HOSE, SOAP BOX | 10 | 1 |
| 13 | 23001255 | TEE, OVERFLOW HOSE | 10 | 1 |
| 14 | 23001256 | CLAMP, HOSE (60-80) | 10 | 1 |
| 15 | 23001257 | CLAMP, CORBIN (A5.5) | 10 | 1 |
| 16 | 23001258 | CLAMP, HOSE (70-90) | 10 | 4 |
| 17 | 23001259 | CLAMP, CORBIN (A17.5) | 10 | 3 |
| 18 | 23001260 | BUSHING, AIR DOME HOSE | 10 | 1 |
| 19 | 23001261 | CLAMP, HOSE (32-50) | 10 | 4 |
| 20 | 23001262 | CLAMP, HOSE (20-32) | 10 | 1 |
| 21 | 23002437 | WASHER (M8) | 10 | 8 |
| 22 | 23002475 | BOLT (M8X20) | 10 | 4 |
| 23 | 23002439 | WASHER, SPRING LOCK (8) | 10 | 4 |
| 24 | 23003766 | NUT M8 | 10 | 4 |
| 25 | 23002908 | SCREW (M8X120) | 10 | 4 |
| 26 | 23002015 | ELBOW (90 DEGREE) | 10 | 1 |
| 27 | 23003769 | WASHER M8 | 10 | 1 |

*Color Code (-)=Not Shown #=Series, Serial Prefix or Run No., N=Not Available

Section: WATER VALVE AND REAR PANEL

Model: MFR25PDATS



CW21-156

Section: WATER VALVE AND REAR PANEL

| No. | Part No. | Description | Series | Qty |
|------|----------|--------------------------------|--------|-----|
| 1 | 23003658 | BRIDGE, REAR | 10 | 1 |
| 2 | 23001455 | VALVE, TWO WAY (220V 50/60HZ) | 10 | 3 |
| 3 | 23002423 | SCREW (M4 X 10) | 10 | 4 |
| 4 | 23002111 | WASHER (4) | 10 | 4 |
| 5 | 23001506 | CLAMP, HOSE | 10 | 21 |
| 6 | 23001507 | WATERHOSE (GREEN) | 10 | 3 |
| 9 | 23001529 | BUTTON (RAPID ADVANCE) | 10 | 1 |
| 10 | 23001452 | PLUG (WHT) | 10 | 1 |
| 14 | 23002197 | NUT | 10 | 3 |
| 15 | 23002196 | SWIVEL, CABLE | 10 | 3 |
| 18 | 23002187 | BOLT, FIRING (3.2X7.9) | 10 | 6 |
| 19 | 23001462 | HOLDER, FUSE | 10 | 2 |
| 24 | 23001465 | STICKER, ELECTRICITY WARNING | 10 | 1 |
| 27 | 23001468 | STICKER, SPIN DIRECTION | 10 | 1 |
| 28 | 23001469 | STICKER, HOT WATER | 10 | 1 |
| 30 | 23001470 | STICKER, COLD HARD WATER | 10 | 1 |
| 31 | 23001509 | STICKER, PIPE THREAD | 10 | 1 |
| 33 N | 23001474 | STICKER (2A) | 10 | 1 |
| 33 N | 23001473 | STICKER (1A) | 10 | 1 |
| 35 | 23001476 | PLUG, WATER INLET | 10 | 5 |
| 45 | 23001508 | FUSE (1A) | 10 | 2 |
| 45 | 23001463 | FUSE (2A) | 10 | 2 |
| 46 | 23001523 | HOSE, CONNECTION | 10 | 6 |
| 47 | 23002651 | NUT (M6) | 10 | 4 |
| 48 | 23003800 | INSULATION | 10 | 1 |
| 49 N | 23002913 | LABEL, TERMINAL | 10 | 1 |
| 54 | 23001532 | COVER, BUTTON (PLASTIC) | 10 | 1 |
| 60 | 23002921 | WASHER, FILL HOSE | 10 | 1 |
| 62 | 23002806 | SCREW (M6 X 25) | 10 | 10 |
| 63 | 23002425 | WASHER, LOCK | 10 | 6 |
| 64 | 23003666 | NUT (M4) | 10 | 6 |
| 71 | 23002923 | BOARD, TERMINAL | 10 | 1 |
| 72 | 23002924 | T-PART (3/4) | 10 | 1 |
| 74 | 23002154 | BOARD, TERMINAL (6 POLES) | 10 | 6 |
| 75 | 23003803 | BOX, TERMINAL | 10 | 1 |
| 76 | 23003661 | TERMINAL COVER LU | 10 | 1 |
| 78 N | 23002913 | LABEL, TERMINAL | 10 | 1 |
| 79 | 23003801 | PHASE STICKER | 10 | 1 |
| 80 | 23003802 | SUPPLY LABEL | 10 | 1 |
| 81 | 23002422 | SCREW (M6 X 12) | 10 | 8 |
| 82 | 23002424 | WASHER | 10 | 8 |
| 83 | 23001033 | RIVETS, BLIND (DIA. 3.2 X 8)LU | 10 | 4 |
| 85 N | 23002807 | SCREW (M4 X 20) | 10 | 6 |
| 86 | 23003785 | PLUG | 10 | 2 |

*Color Code (-)=Not Shown #=Series, Serial Prefix or Run No., N=Not Available

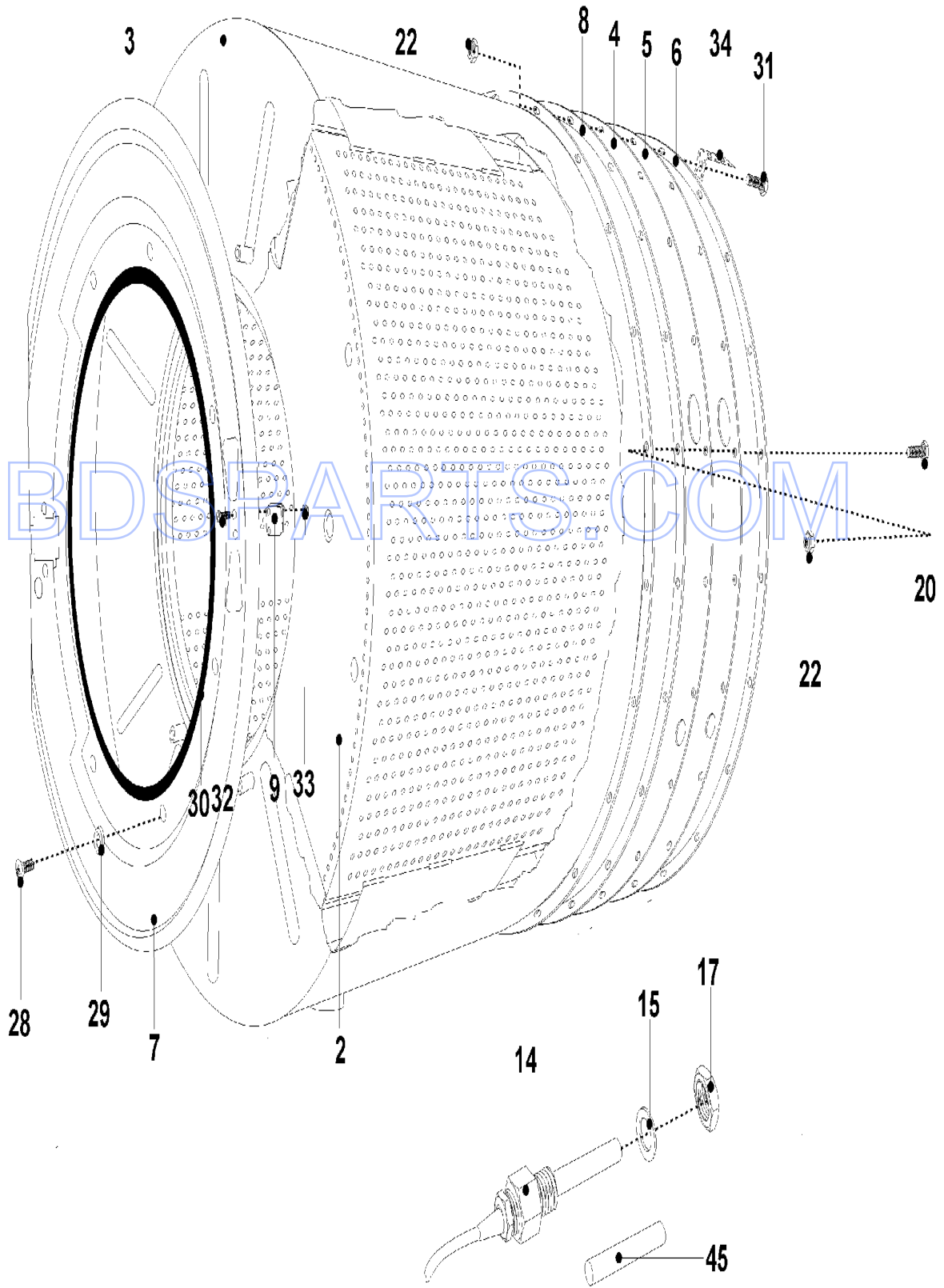
Section: MAIN CONTROL

| No. | Part No. | Description | Series | Qty |
|------|----------|--------------------------------|--------|-----|
| 1 | 23001094 | BRIDGE, RECTIFIER | 10 | 1 |
| 2 | 23001095 | CAPACITOR (80MF) | 10 | 1 |
| 2 | 23001358 | CAPACITOR (30MF) | 10 | 1 |
| 3 | 23001099 | PC BOARD SOCKET | 10 | 1 |
| 4 | 23001101 | CONTACTOR (LC1-D1201 M7) | 10 | 1 |
| 4 | 23001100 | CONTACTOR (LC1-D0901 M7) | 10 | 1 |
| 7 | 23002101 | RELAY, OVERLOAD (LR2-D1312) | 10 | 1 |
| 10 | 23001513 | SWITCH, WATER LEVEL | 10 | 1 |
| 10 | 23003748 | SWITCH, WATER LEVEL | 20 | 1 |
| 13 | 23002154 | BOARD, TERMINAL (6 POLES) | 10 | 1 |
| 14 | 23001114 | ROCKER SWITCH, PREWASH/NO PREW | 10 | 1 |
| 15 | 23001115 | INSULATION PAPER | 10 | 1 |
| 18 | 23001118 | STICKER, LIQUID SOAP | 10 | 1 |
| 20 | 23002111 | WASHER (4) | 10 | 1 |
| 21 | 23002398 | SCREW (M4X16) | 10 | 3 |
| 22 | 23003666 | NUT (M4) | 10 | 1 |
| 23 | 23003762 | MECHANICAL INTERLOCK | 10 | 1 |
| 25 | 23002806 | SCREW (M6 X 25) | 10 | 3 |
| 26 | 23002651 | NUT (M6) | 10 | 18 |
| 27 | 23002425 | WASHER, LOCK | 10 | 6 |
| 32 | 23001465 | STICKER, ELECTRICITY WARNING | 10 | 1 |
| 35 | 23002505 | PLATE, EARTH | 10 | 1 |
| 36 | 23001138 | BUSHING, CABLE PASSAGE | 10 | 2 |
| 45 | 23003668 | RESISTOR | 10 | 1 |
| 46 | 23003675 | WASHER (M12) | 10 | 1 |
| 47 N | 23003670 | NUT (M12) | 10 | 1 |

*Color Code (-)=Not Shown #=Series, Serial Prefix or Run No., N=Not Available

Section: BASKET AND OUTER SHELL

Model: MFR25PDATS



CW21-158

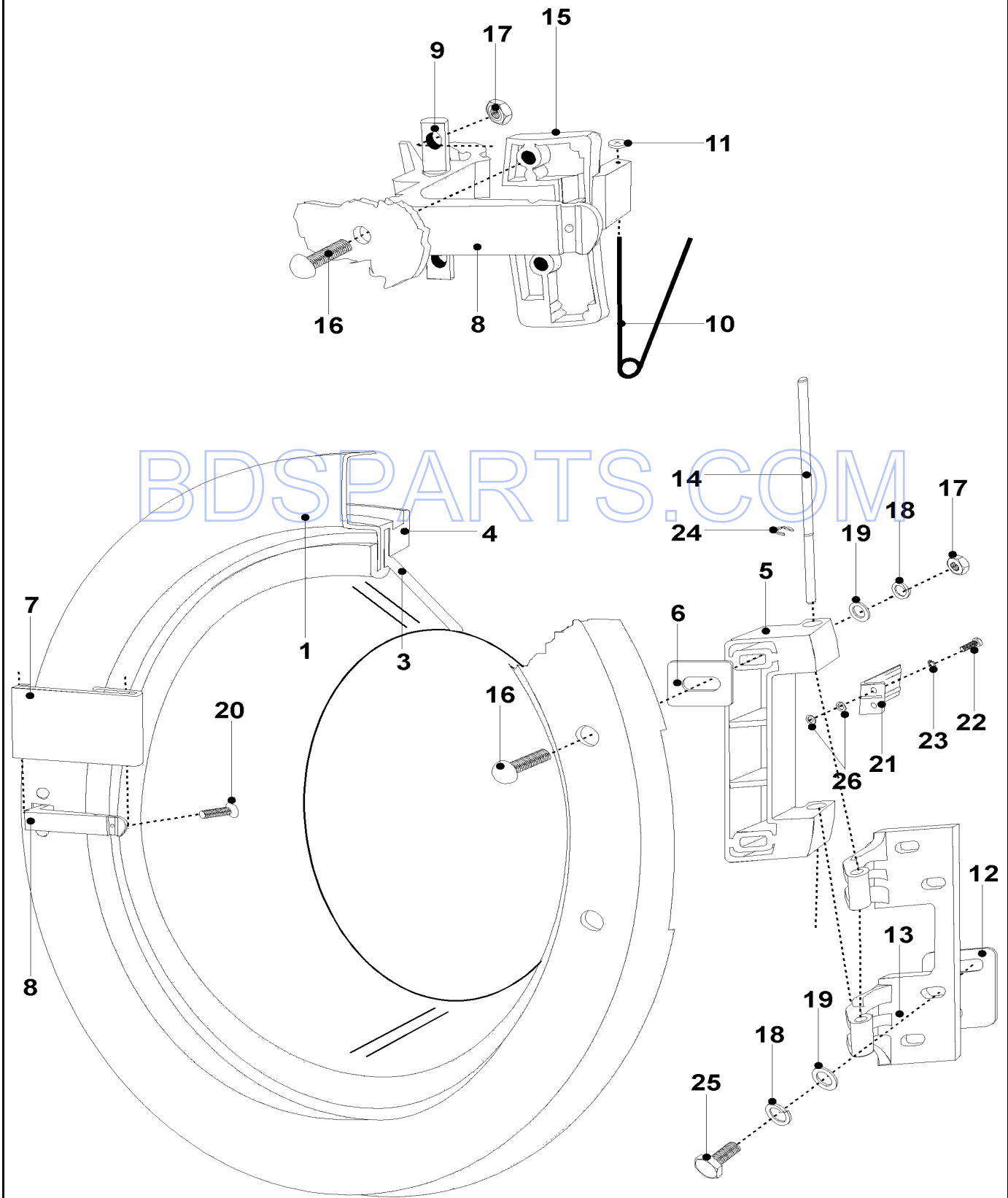
Section: BASKET AND OUTER SHELL

| No. | Part No. | Description | Series | Qty |
|-----|------------|------------------------------|--------|-----|
| 2 | 23003749 | DRUM/SHAFT | 20 | 1 |
| 2 | 23003336 | DRUM/SHAFT | 10 | 1 |
| 3 | 23003812 | TUB (ROUND DOOR) (MFR25) | 10 | 1 |
| 4 | 23003790 | PLATE BASE WITHOUT/HOLES | 10 | 1 |
| 5 | 23001383 | PLATE, BACK (IRON) | 10 | 1 |
| 6 | N 23003343 | RING | 10 | 1 |
| 7 | N 23001385 | SHIELD | 10 | 1 |
| 8 | 23001387 | GASKET, SHELL (REAR) | 10 | 1 |
| 9 | 23001200 | HINGE, MIRCO SWITCH | 10 | 1 |
| 14 | 23003807 | HOLDER THERMOSTAT SENSOR | 10 | 1 |
| 15 | 23002179 | WASHER | 10 | 1 |
| 17 | 23002936 | NUT, SENSOR BUSHING | 10 | 1 |
| 20 | 23002646 | SCREW (M8 X 40) | 10 | 1 |
| 22 | 23001607 | NUT (M8) | 10 | 1 |
| 28 | 23002617 | SCREW (M4X8) | 10 | 1 |
| 29 | 23001204 | WASHER, FINISHING (DIA. 5) | 10 | 1 |
| 30 | 23002473 | RUBBER, PROTECTIVE | 10 | 1 |
| 31 | 23003765 | BOLT M8X35 | 10 | 1 |
| 32 | 23002398 | SCREW (M4X16) | 10 | 1 |
| 33 | 23003666 | NUT (M4) | 10 | 1 |
| 34 | 23003791 | PLATE, MOTOR WIRING FIXATION | 10 | 1 |
| 37 | 23003792 | PLUG 6 DIAM. | 10 | 1 |

*Color Code (-)=Not Shown #=Series, Serial Prefix or Run No., N=Not Available

Section: DOOR

Model: MFR25PDATS



BDS PARTS.COM

CW10-63

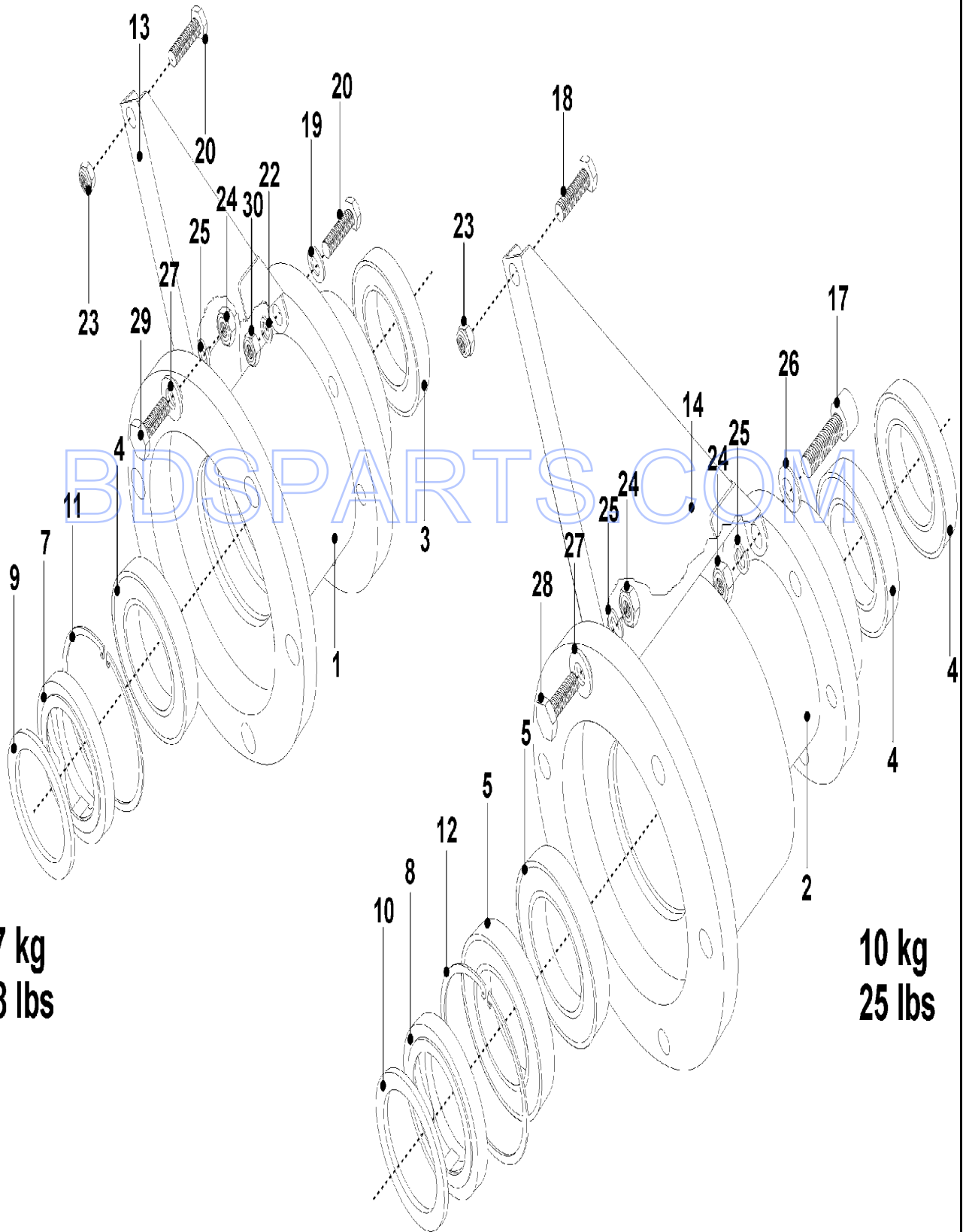
Section: DOOR

| No. | Part No. | Description | Series | Qty |
|-----|----------|--------------------------------|--------|-----|
| 1 | 23001363 | RING, DOOR | 10 | 1 |
| 3 | 23001364 | GLASS, DOOR | 10 | 1 |
| 4 | 23001365 | RUBBER, DOOR GLASS | 10 | 1 |
| 5 | 23001366 | PLATE, HINGE | 10 | 1 |
| 6 | 23001166 | SHIM, HINGE PLATE | 10 | 1 |
| 7 | 23003700 | HANDLE, DOOR ASSEMBLY | 10 | 1 |
| 8 | 23003633 | LEVER, DOOR | 10 | 1 |
| 9 | 23001168 | SHAFT, LEVER | 10 | 1 |
| 10 | 23001169 | SPRING, HANDLE LEVER | 10 | 1 |
| 11 | 23002499 | WASHER | 10 | 1 |
| 12 | 23001368 | SHIM, HINGE BASE | 10 | 1 |
| 13 | 23001369 | PIN, DOOR LOCK | 10 | 1 |
| 14 | 23001172 | SHAFT, DOOR HINGE | 10 | 1 |
| 15 | 23001370 | HANDLE, LEVER PLATE | 10 | 1 |
| 16 | 23001175 | SCREW (M6X20 STAINLESS STEELLU | 10 | 3 |
| 17 | 23002280 | NUT (M6) | 10 | 3 |
| 18 | 23002130 | WASHER (6) | 10 | 6 |
| 19 | 23002424 | WASHER | 10 | 6 |
| 21 | 23001373 | MICROSWITCH, ACTIVATING PLATE | 10 | 1 |
| 22 | 23001781 | BOLT (M4X10) | 10 | 1 |
| 23 | 23002111 | WASHER (4) | 10 | 1 |
| 24 | 23001181 | RETAINING RING (DIA. 8) | 10 | 1 |
| 25 | 23002279 | BOLT (M6X20) | 10 | 2 |
| 26 | 23003794 | WASHER | 10 | 2 |

*Color Code (-)=Not Shown #=Series, Serial Prefix or Run No., N=Not Available

Section: TRUNNION AND BEARING

Model: MFR25PDATS



6/7 kg
15/18 lbs

10 kg
25 lbs

CW21-159

Section: TRUNNION AND BEARING

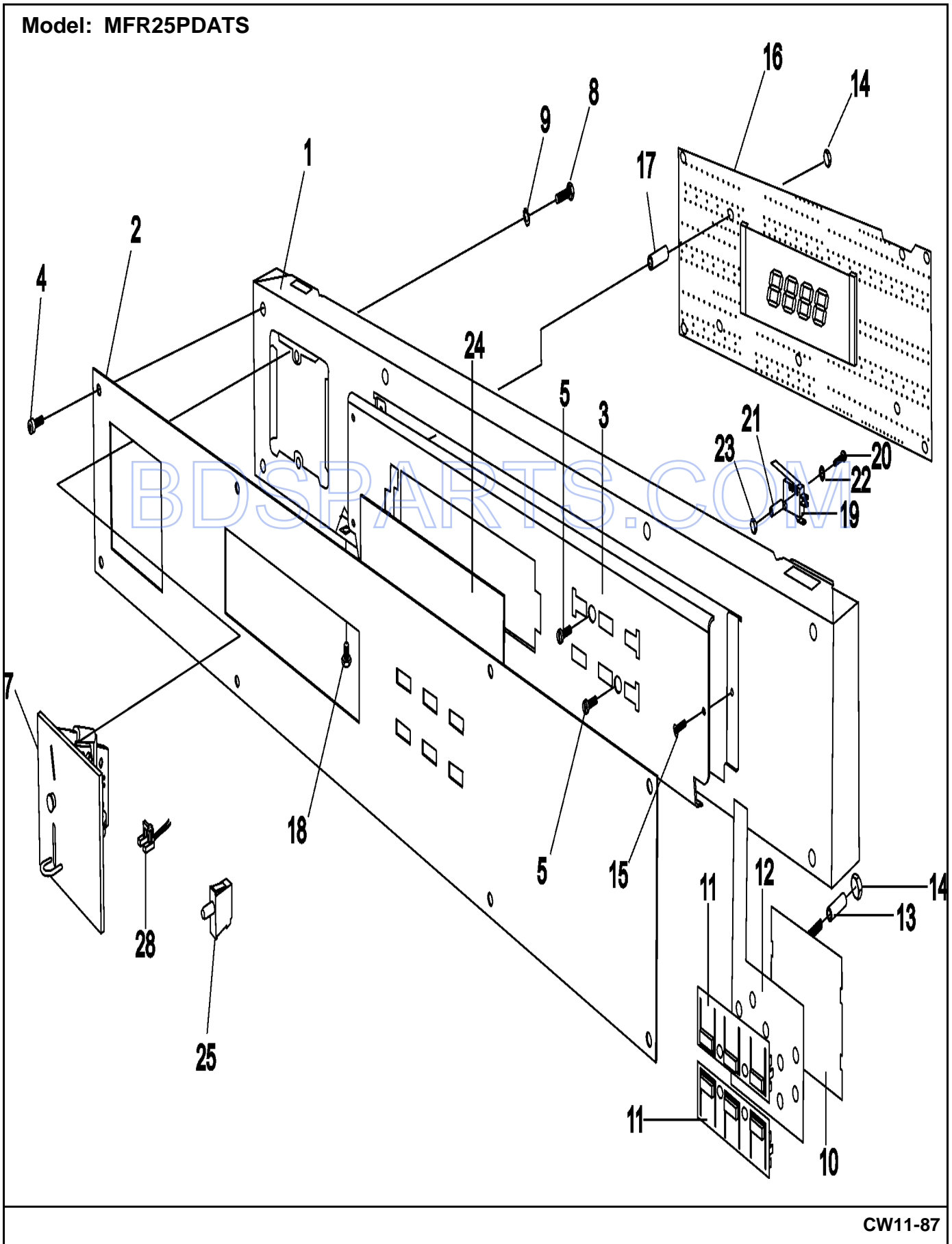
| No. | Part No. | Description | Series | Qty |
|-----|----------|-----------------------------|--------|-----|
| 2 | 23003552 | HOUSING, BEARING | 10 | 1 |
| 4 | 23001232 | BEARING (REAR) | 10 | 1 |
| 5 | 23001231 | BEARING (6209 2RS C3) | 10 | 2 |
| 8 | 23001234 | SEAL, WATER | 10 | 1 |
| 10 | 23001233 | RING, SEAL | 10 | 1 |
| 12 | 23001235 | RING, INTERNAL SNAP | 10 | 1 |
| 14 | 23003553 | SPOKE | 10 | 3 |
| 17 | 23003808 | BOLT M 10X40 | 10 | 6 |
| 18 | 23002646 | SCREW (M8 X 40) | 10 | 3 |
| 24 | 23003764 | NUT M10 | 10 | 12 |
| 25 | 23002654 | WASHER (10) | 10 | 12 |
| 26 | 23003788 | WASHER | 10 | 6 |
| 27 | 23001201 | WASHER (DIA. 22X11X1 BRASS) | 10 | 6 |
| 28 | 23002940 | SCREW (M10X35) | 10 | 6 |

BDSPARTS.COM

*Color Code (-)=Not Shown #=Series, Serial Prefix or Run No., N=Not Available

Section: CONTROL PANEL

Model: MFR25PDATS



CW11-87

Section: CONTROL PANEL

| No. | Part No. | Description | Series | Qty |
|-----|----------|----------------------------|--------|-----|
| 1 | 23003636 | PANEL, CONTROL (18/25) | 10 | 1 |
| 2 | 23003722 | FACIA, CONTROL PANEL MFR25 | 18 | 1 |
| 2 | 23003640 | FACIA (25) | 10 | 1 |
| 3 | 23003809 | PROGRAM, HOLDER | 10 | 1 |
| 4 | 23003810 | SCREW | 10 | 4 |
| 5 | 23001372 | SCREW (M4 X 8 STNLS STEEL) | 10 | 2 |
| 7 | 23003644 | COIN DROP | 10 | 1 |
| 8 | 23002465 | WASHER, LOCK | 10 | 2 |
| 9 | 23003797 | BOLT | 10 | 2 |
| 10 | 23003645 | HOLDER | 10 | 1 |
| 11 | 23003646 | BUTTONS, ROW OF 3 | 10 | 2 |
| 12 | 23003647 | SWITCH, MEMBRANE | 10 | 1 |
| 13 | 23003648 | TUBE | 10 | 2 |
| 14 | 23003649 | LOCKNUT, WASHERED | 10 | 2 |
| 15 | 23003811 | SCREW | 10 | 4 |
| 16 | 23003650 | ACCU TRAC CONTROL BOARD | 10 | 1 |
| 17 | 23003651 | TUBE | 10 | 4 |
| 19 | 23001145 | MICROSWITCH, LONG LEVER | 10 | 1 |
| 20 | 23003652 | SCREW, SWITCH | 10 | 2 |
| 21 | 23003653 | TUBE | 10 | 2 |
| 22 | 23003654 | WASHER (M3) | 10 | 2 |
| 23 | 23002958 | NUT (M3) | 10 | 2 |
| 24 | 23003655 | COVER, DISPLAY LU | 10 | 1 |
| 25 | 23003656 | SWITCH, COIN BOX | 10 | 1 |
| 26 | 23003657 | SENSOR, OPTIC | 10 | 1 |

*Color Code (-)=Not Shown #=Series, Serial Prefix or Run No., N=Not Available

