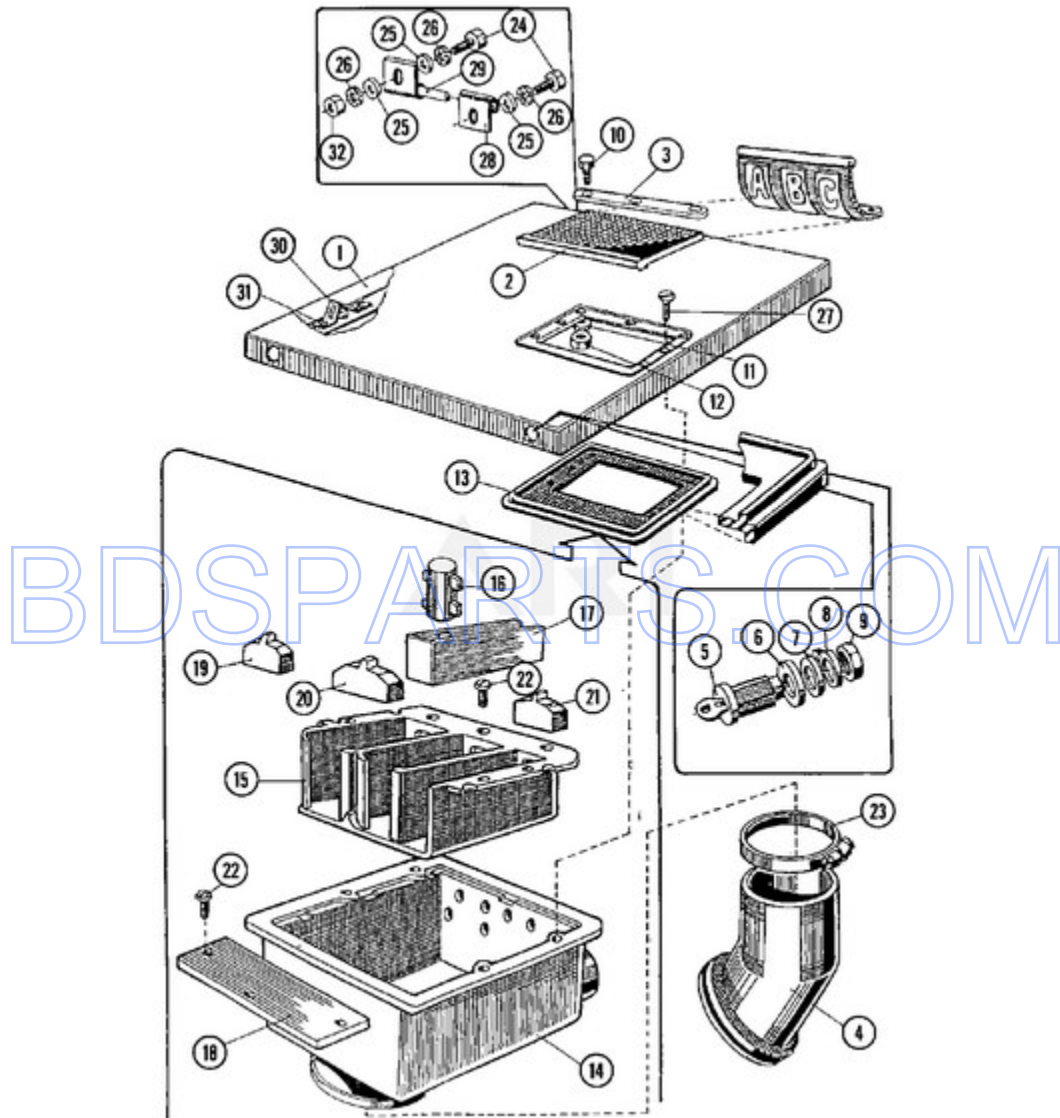
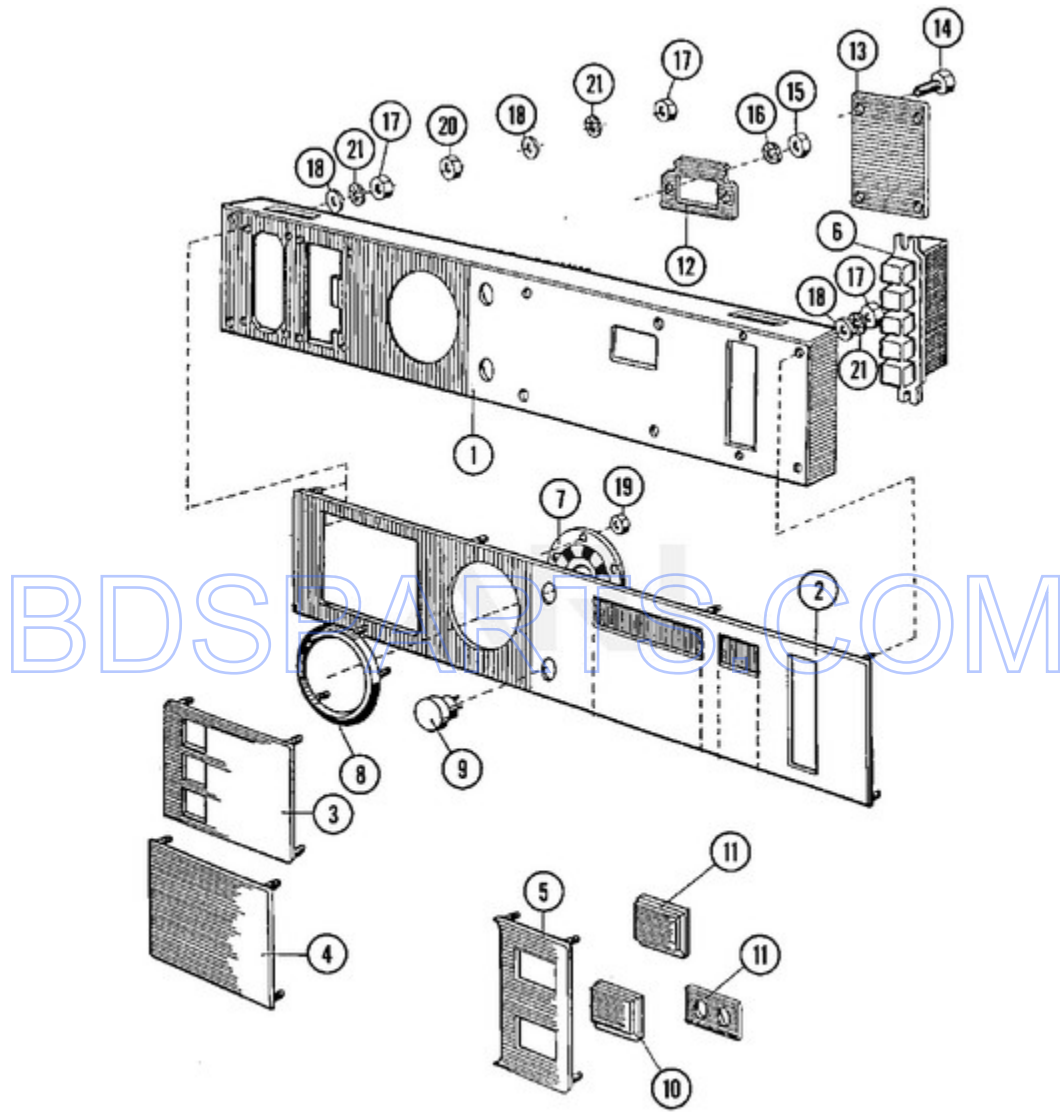


MFR35MNATS - 01 - SOAP BOX & TOP COVER ASSEMBLY



Ref #	Part #	Description	Qty	Note
1	23001001	COVER, TOP (STNLS STEEL)	1	Series 10
1	23001002	COVER, TOP (STNLS STEEL)	-	Series 10
2	23001003	RUBBER COVER, SOAP BOX	1	Series 10
3	23001004	CLAMP, SOAP BOX COVER	1	Series 10
4	23001005	RUBBER HOSE, SOAP BOX	1	Series 10
5	23001006	LOCK, TOP PANEL	1	Series 10
6	23001007	WASHER, FIBER	1	Series 10
7	23001008	NUT, LOCK (LARGE)	1	Series 10
8	23001009	HOOK, LOCK (SHORT)	1	Series 10
9	23001011	NUT	1	Series 10
10	23001012	SCREW (M4 X 12 STNLS STEEL)	1	Series 10
11	23001013	SPRING, LOCKWASHER (M4)	1	Series 10
12	23001014	NUT M4	1	Series 10
13	23001015	RUBBER SEAL, SOAP BOX	1	Series 10
14	23001016	HOUSING, SOAP BOX	1	Series 10
15	23001017	INSERT, SOAP BOX	1	Series 10
16	23001018	SIPHON	1	Series 10
17	23001019	TRAY	1	Series 10
18	23001020	COVER, PLATE	1	Series 10
19	23001021	DRAWER, PREWASH	1	Series 10
19	23002318	SCREW, PAN HEAD (SLOTTED)	1	Series 10
20	23001022	DRAWER, MAIN WASH	1	Series 10
21	23001023	DRAWER, LAST RINSE	1	Series 10
22	23001024	SCREW (SLOTTED PAN HEAD TAPPING	1	Series 10
23	23001025	CLAMP, HOSE (DIA 90/110)	1	Series 10
24	23001307	BOLT (M6 X 20)	1	Series 10
25	23001027	WASHER (DIA. 12 X 6.5 X 1.6)	1	Series 10
26	23001028	LOCKWASHER (EXTERNAL TEETH M6)	1	Series 10
27	23001029	SCREW, FLAT HD (STLS M5X15MM) (M5 )	1	Series 10
28	23001030	HINGE, TOP COVER	1	Series 10
29	23001031	SHAFT, HINGE (10 X 56 BRASS)	1	Series 10
30	23001032	CLAMP, SRV	1	Series 10
31	23001033	RIVETS, BLIND (DIA. 3.2 X 8)LU	1	Series 10
32	23001034	NUT (M6)	1	Series 10
33	23001550	LABEL, EARTH	1	Series 10

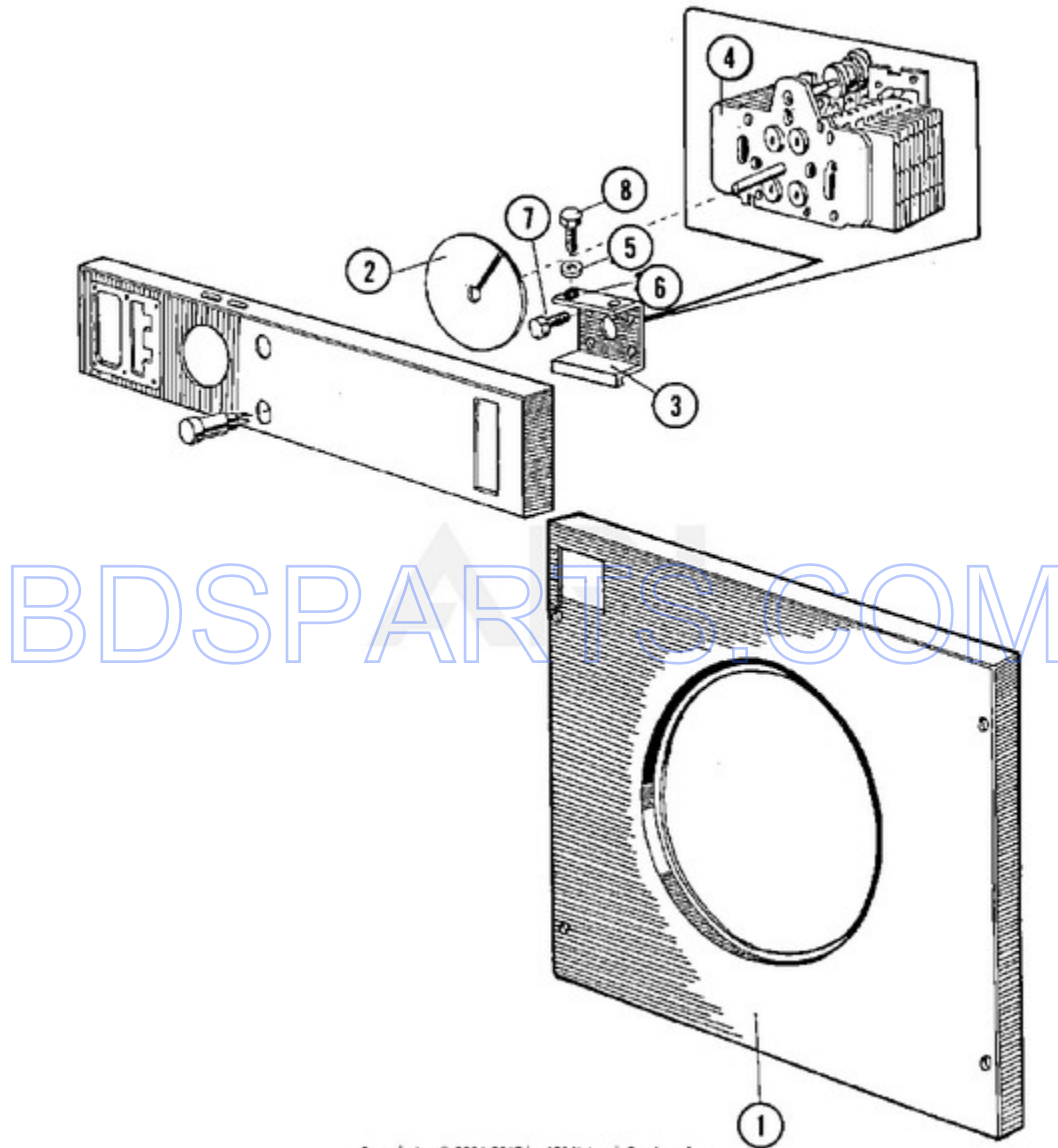
MFR35MNATS - 02 - CONTROL PANEL



Ref #	Part #	Description	Qty	Note
1	23001039	PLATE, BACK-UP (COIN METER)	1	Series 10
2	23001489	PANEL, CONTROL	1	Series 10
2	23001495	PANEL, CONTROL	-	Series 10
3	23001529	BUTTON (RAPID ADVANCE)	1	Series 10
3	23001530	BUTTON (START)	1	Series 10
3	23001531	BUTTON (ON/OFF)	1	Series 10
3	23001532	COVER, BUTTON (PLASTIC)	1	Series 10
3	23002329	MANUAL CONTROL ASSY. (COMP.)	1	Series 10
3		NLA WIRE HARNESS, MANUAL CONTROL	1	Series 10
4	23001042	SWITCH, PROGRAM SELECTOR	1	Series 10
5	23001043	DISC, INDICATOR (ENGLISH)	1	Series 10
6	23001044	INDICATOR DISC, ORNAMENTAL RING	1	Series 10
7	23001046	LAMP, INDICATOR	1	Series 10
8	23001055	NUT (M4)	1	Series 10
9	23001056	WASHER (4.3)	1	Series 10
10	23001057	SPEEDNUT (M3)	1	Series 10
11	23001058	SPACER	1	Series 10
12	23001013	LOCKWASHER (EXTERNAL TEETH M4)	1	Series 10
13	23002325	WASHER	1	Series 10

BUSHPARTS.COM

MFR35MNATS - 03 - TIMER & COIN ASSEMBLY

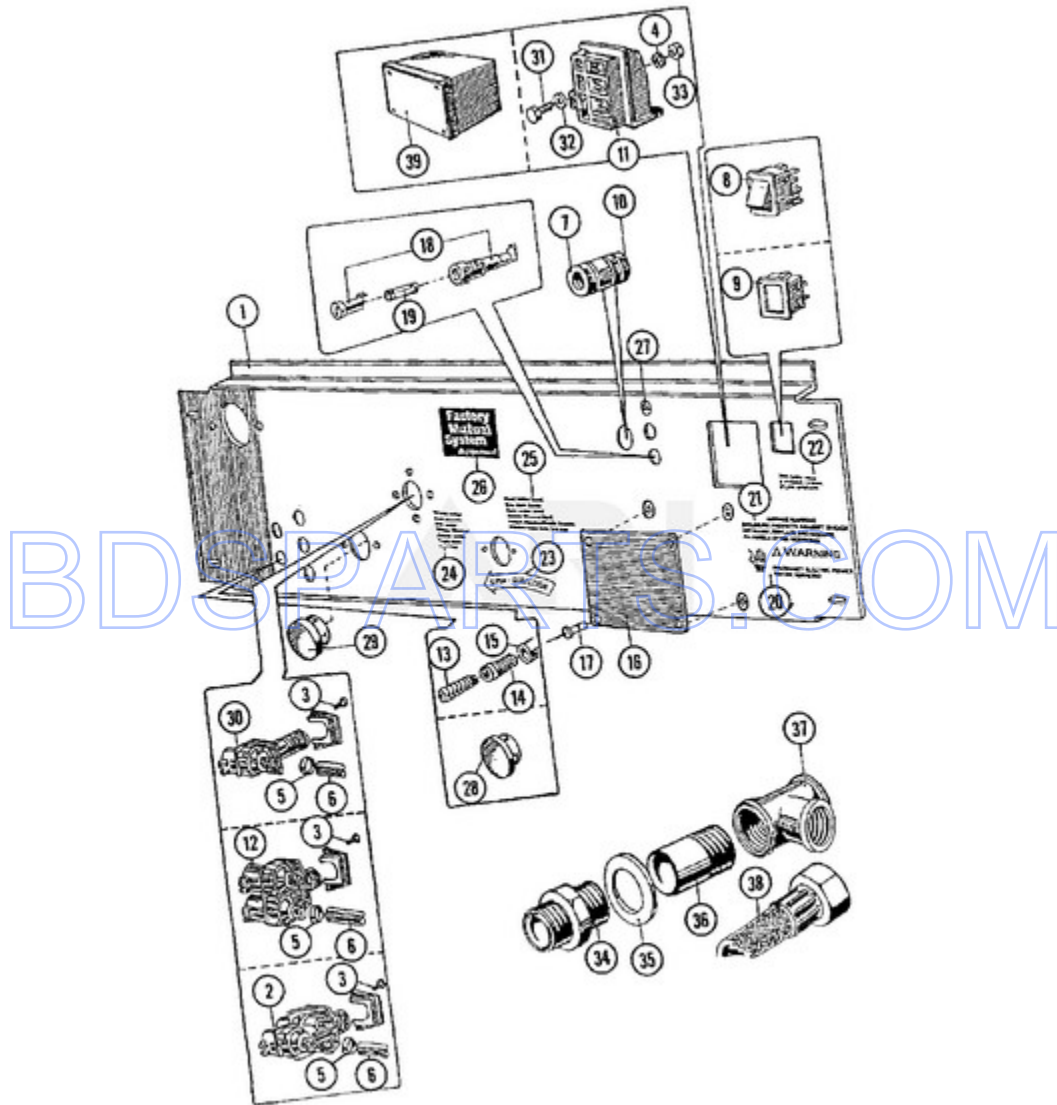


BDSPARTS.COM

Ref #	Part #	Description	Qty
1	23001039	PLATE, BACK-UP (COIN METER)	1
2	23001489	PANEL, CONTROL	1
2	23001495	PANEL, CONTROL	-
3	23001529	BUTTON (RAPID ADVANCE)	1
3	23001530	BUTTON (START)	1
3	23001531	BUTTON (ON/OFF)	1
3	23001532	COVER, BUTTON (PLASTIC)	1
3	23002329	MANUAL CONTROL ASSY. (COMP.)	1
3		NLA WIRE HARNESS, MANUAL CONTROL	1
4	23001042	SWITCH, PROGRAM SELECTOR	1
5	23001043	DISC, INDICATOR (ENGLISH)	1
6	23001044	INDICATOR DISC,ORNAMENTAL RING	1
7	23001046	LAMP, INDICATOR	1
8	23001055	NUT (M4)	1
9	23001056	WASHER (4.3)	1
10	23001057	SPEEDNUT (M3)	1
11	23001058	SPACER	1
12	23001013	LOCKWASHER (EXTERNAL TEETH M4)	1
13	23002325	WASHER	1

BESTPARTS.COM

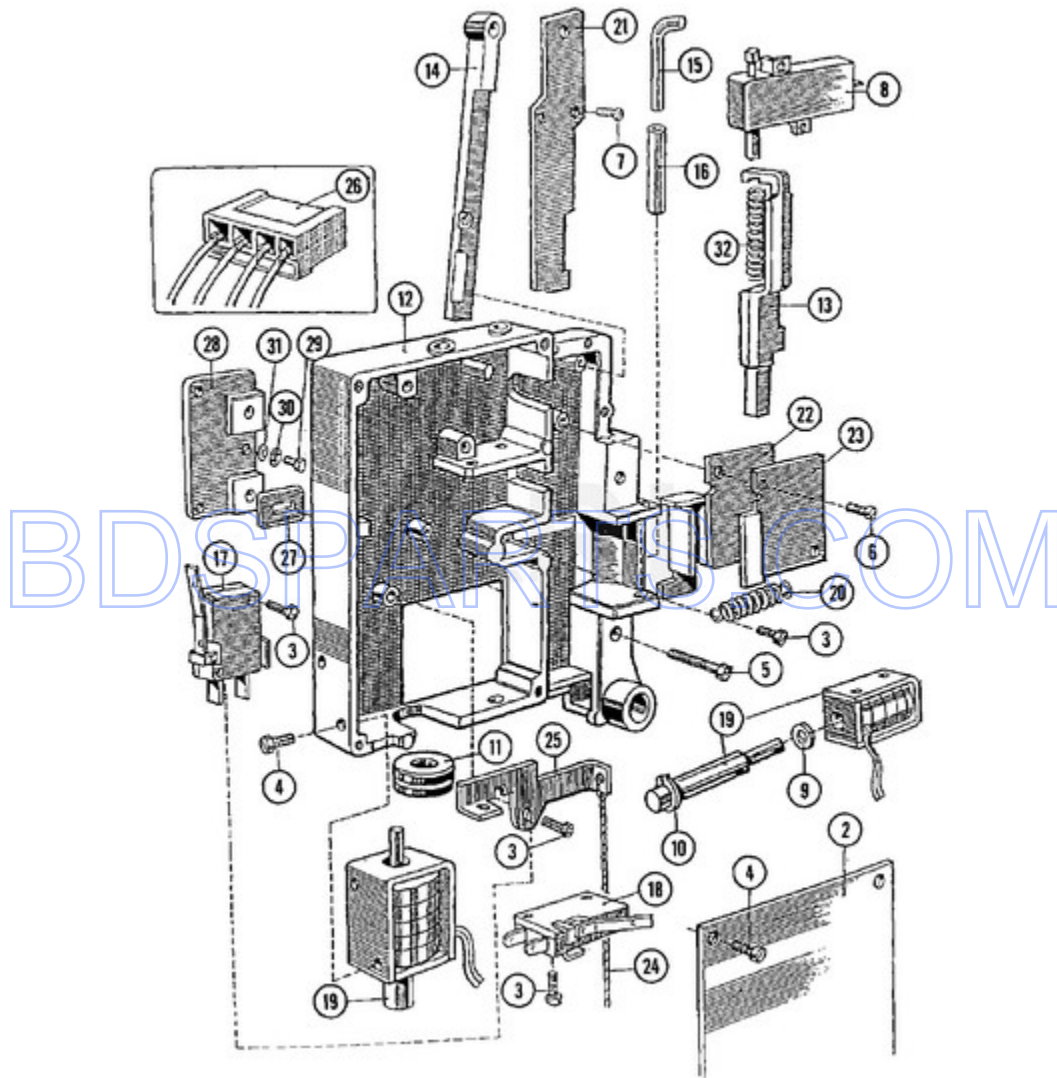
MFR35MNATS - 04 - WATER VALVE & REAR PANEL



Ref #	Part #	Description	Qty	Context	Note	MSRP
1	23001339	NUT, CAGE	1	Series	10	
1	23001503	PANEL, VALVE	1	Series	10	
2	23001361	BOLT M4X10	1	Series	10	
3	23001013	LOCKWASHER (EXTERNAL TEETH M4)	1	Series	10	
4	23001506	CLAMP, HOSE	1	Series	10	
5	23001507	WATERHOSE (GREEN)	1	Series	10	
6	23001450	SWIVEL (PG9)	1	Series	10	
7	23001529	BUTTON (RAPID ADVANCE)	1	Series	10	
8	23001452	PLUG (WHT)	1	Series	10	
9	23001453	NUT, SWIVEL (PG9)	1	Series	10	
10	23001454	BLOCK, TERMINAL CONNECTION	1	Series	10	
11	23001455	VALVE, TWO WAY (220V 50/60HZ)	1	Series	10	
12	23001460	PLATE, IDENTIFICATION	1	Series	10	
13	23001461	RIVETS, BLIND	1	Series	10	
14	23001462	HOLDER, FUSE	1	Series	10	
15	23001508	FUSE (1A)	1	Series	10	
16	23001465	STICKER, ELECTRICITY WARNING	1	Series	10	
17	23001468	STICKER, SPIN DIRECTION	1	Series	10	
18	23001469	STICKER, HOT WATER	1	Series	10	
19	23001471	STICKER, COLD SOFT WATER	1	Series	10	
20	23001509	STICKER, PIPE THREAD	1	Series	10	
21	NLA	STICKER (1A)	1	Series	10	
22	NLA	PLUG, LIQUID SOAP OPENING	1	Series	10	
23	23001477	ADAPTER (3/4`` PIPE TO 3/4`` HOS	1	Series	10	
24	NLA	SCREW (M 4 X 16 BRASS)	1	Series	10	
25	NLA	WASHER (DIA. 9 X 4.3 X 0.8)	1	Series	10	
26	23001481	NUT (M4 BRASS)	1	Series	10	
27	23001482	NIPPLE (3/4`` PIPE THREAD)	1	Series	10	
28	23001483	WASHER (DIA. 40 X 6.5 X 3)	1	Series	10	
29	23001484	EXTENSION, BRASS PIPE THREAD	1	Series	10	
30	23001485	TEE, 3/4`` PIPE THREAD (BRASS)	1	Series	10	
31	23001523	HOSE, CONNECTION	1	Series	10	

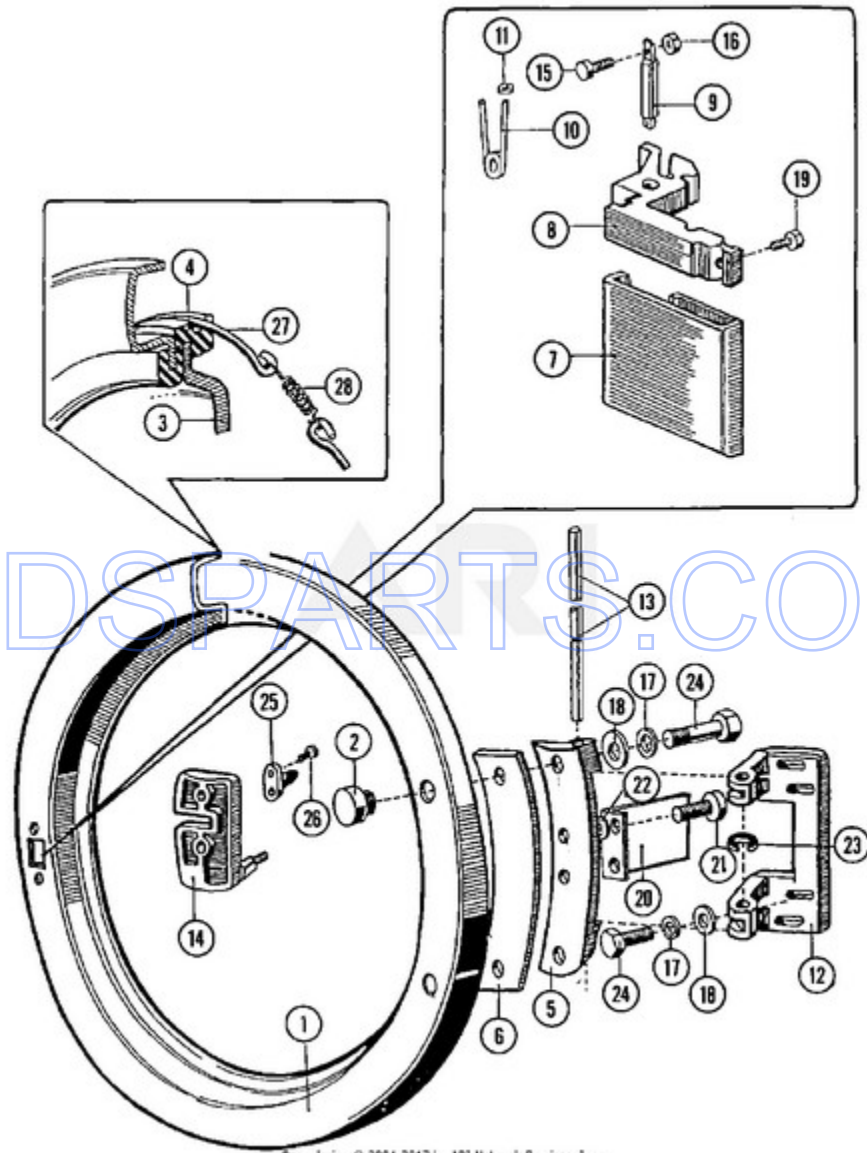


MFR35MNATS - 05 - DOOR LOCK ASSEMBLY



Ref #	Part #	Description	Qty	Context	Note	MSRP
1	23001129	DOORLOCK (COMPLETE-220V 50/60)	1	Series	10	
2	23001130	PLATE, COVER (STNLS STEEL)	1	Series	10	
3	23001131	SCREW (M3 X 14 CROSS RECESSED)	1	Series	10	
4	23001132	SCREW (M3 X 4 CROSS RECESSED)	1	Series	10	
5	23001133	SCREW (M5 X 25 STNLS STEEL)	1	Series	10	
6	23001070	SCREW (M4X10)	1	Series	10	
7	23001134	BOLT (M3 X 6)	1	Series	10	
8	23001135	BIMETAL, ACTUATOR (230V)	1	Series	10	
9	23001136	WASHER (DIA. 5.1 X 3.3 X 0.1)	1	Series	10	
10	23001137	RING, RETAINING (G10)	1	Series	10	
11	23001138	BUSHING, CABLE PASSAGE	1	Series	10	
12	23001139	HOUSING, DOOR LOCK	1	Series	10	
13	23001140	BAR, LOCKING	1	Series	10	
14	23001141	BAR, HANDLE LATCH	1	Series	10	
15	23001142	RETAINER, LOCK TUBE (DIA.4X45)	1	Series	10	
16	23001143	LOCK TUBE (DIA. 4X23.5 STNLS)	1	Series	10	
17	23001144	MICROSWITCH, SHORT LEVER	1	Series	10	
18	23001145	MICROSWITCH, LONG LEVER	1	Series	10	
19	23001146	COIL (240V)	1	Series	10	
19	23001147	COIL (120V)	1	Series	10	
20	23001148	COIL SPRING, HANDLE LATCH BAR	1	Series	10	
21	23001149	LEAF SPRING, LATCH BAR	1	Series	10	
22	23001152	CORD, EMERGENCY OPENING	1	Series	10	
23	23001153	LEVER, EMERGENCY OPENING	1	Series	10	
24	23001154	WIRING HARNESS, DOORLOCK	1	Series	10	
25	23001155	SHIM	1	Series	10	
26	23001156	SPACER, LOCK	1	Series	10	
27	23001157	BOLT (M6 X 12 STNLS STEEL)	1	Series	10	
28	23001158	LOCKWASHER (M6 EXTERNAL TEETH)	1	Series	10	
29	23001159	WASHER (DIA. 14X8.6X1 STNLS)LU	1	Series	10	

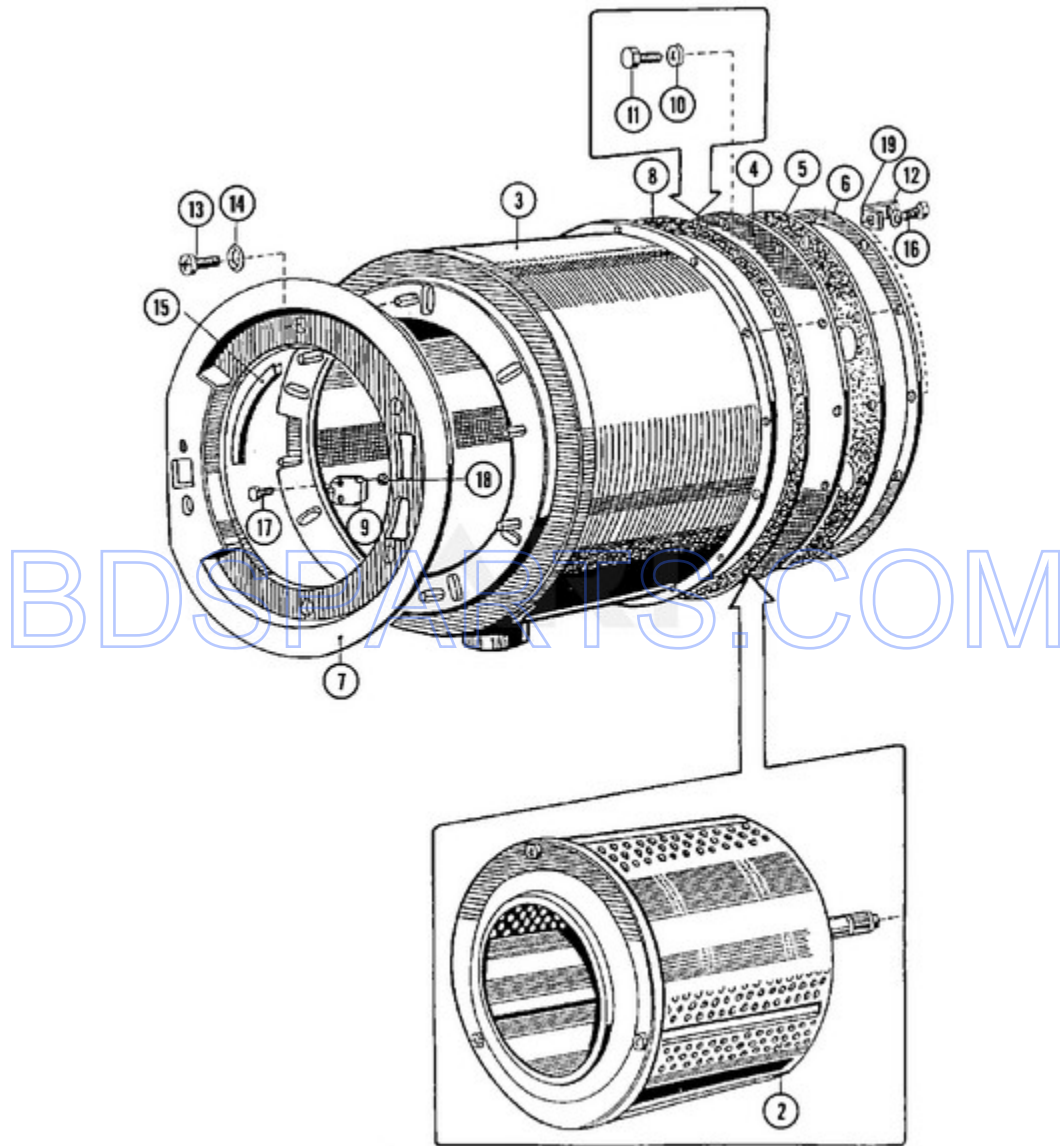
MFR35MNATS - 06 - DOOR



BDS PARTS.COM

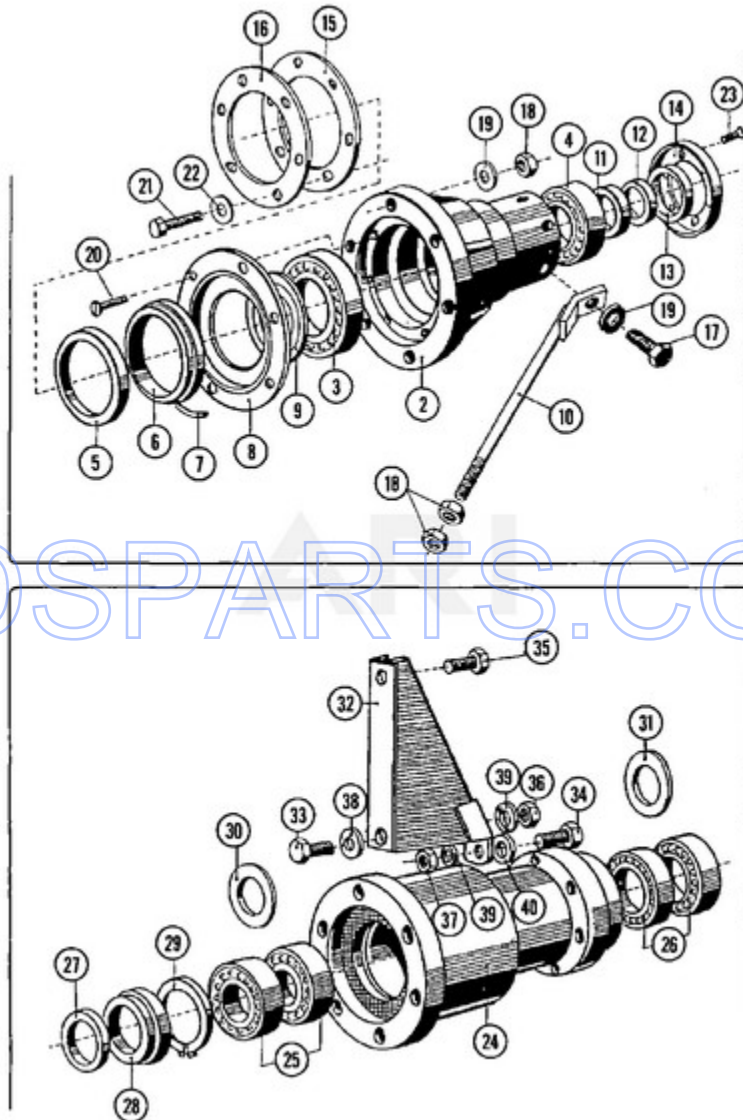
Ref #	Part #	Description	Qty	Context	Note	MSRP
1	23001161	RING, DOOR	1		Series 10	
2	23001162	NUT, ORNAMENTAL (STNLS STEEL)	1		Series 10	
3	23001163	GLASS, DOOR	1		Series 10	
4	23001164	GASKET, DOOR GLASS	1		Series 10	
5	23001165	PLATE, HINGE	1		Series 10	
6	23001166	SHIM, HINGE PLATE	1		Series 10	
7	23001510	HANDLE, DOOR	1		Series 10	
7	23003631	HANDLE, DOOR (FRONT) MUST PURCHASE 23003700 ASSY	1		Series 14	
7	23003632	HANDLE, DOOR (BACK) MUST PURCHASE 23003700 ASSY	1		Series 14	
7	23003700	HANDLE, DOOR ASSEMBLY	1		Series 14	
8	23003634	LEVER, DOOR	1		Series 14	
8	NLA	LEVER, HANDLE	1		Series 10	
9	23001168	SHAFT, LEVER	1		Series 10	
10	23001169	SPRING, HANDLE LEVER	1		Series 10	
11	23001057	SPEEDNUT (M3)	1		Series 14	
11	23001170	FASTENER, SPRING (DIA. 3.2)	1		Series 10	
12	23001171	BASE, HINGE	1		Series 10	
13	23001172	SHAFT, DOOR HINGE	1		Series 10	
14	23001173	HANDLE, LEVER PLATE	1		Series 10	
14	23001174	BATCH ATTACHING HOOK & ALIGNIN	1		Series 10	
15	23001175	SCREW (M6X20 STNLS STEEL)	1		Series 10	
15	23002937	SCREW (M6X26)	1		Series 14	
16	23001176	NUT (M6 STNLS STEEL)	1		Series 10	
17	23001158	LOCKWASHER (M6 EXTERNAL TEETH)	1		Series 10	
18	23001159	WASHER (DIA. 14X8.6X1 STNLS)LU	1		Series 10	
19	23001177	SCREW (M4 X 10)	1		Series 14	
19	23001372	SCREW (M4 X 10 STNLS STEEL)	1		Series 10	
20	23001178	MICROSWITCH, ACTIVATING PLATE	1		Series 10	
21	23001179	SCREW (M4X10 STNLS STEEL)	1		Series 10	
22	23001180	WASHER (DIA. 10X5.3X1)	1		Series 10	
23	23001181	RING, RETAINING (DIA. 8)	1		Series 10	
24	23001182	BOLT (M6X16 STNLS STEEL)	1		Series 10	
25	23001185	DOORSEAL, TENSION RING	1		Series 10	
26	23001186	DOORSRING, TENSION SPRING	1		Series 10	

MFR35MNATS - 07 - BASKET & OUTER SHELL ASSEMBLY



Ref #	Part #	Description	Qty	Context Note	MSRP
1	NLA	TUB (COMPLETE)	1	Series 10	
2	23001189	DRUM & SHAFT	1	Series 10	
2	23001190	DRUM & SHAFT	-	Series 10	
3	23001191	SHELL, OUTER	1	Series 10	
3	23001192	SHELL, OUTER	-	Series 10	
4	23002178	PLATE, BASE	1	Series 10	
4	NLA	PLATE, BASE	-	Series 10	
5	23001195	BACKPLATE (IRON)	1	Series 10	
5	23001196	BACKPLATE (IRON)	-	Series 10	
5	23003981	BEARING HOUSING STUD 14MM	-	Series 10	
6	23001197	RING, CLAMP (24 HOLES)	1	Series 10	
7	23001198	SHIELD	1	Series 10	
8	23001199	GASKET, REAR SHELL (24 HOLES)	1	Series 10	
9	23001200	HINGE, MIRCO SWITCH	1	Series 10	
10	23001201	WASHER (DIA. 22X11X1 BRASS)	1	Series 10	
11	23001202	BOLT (M10X35 STNLS STEEL)	1	Series 10	
12	23001203	WASHER (DIA. 16 X 8.4 X 1.6)	-	Series 10	
13	23001177	SCREW (M4 X 8 STNLS STEEL)	1	Series 10	
14	23001204	WASHER, FINISHING (DIA. 5)	1	Series 10	
15	23001088	TRIM, RUBBER	1	Series 10	
16	23001205	BOLT (M8 X 45)	1	Series 10	
17	23001089	SCREW (M4 X 16 CK)	1	Series 10	
18	23001055	NUT (M4)	1	Series 10	
19	23001206	BRACKET, MOTOR HARNESS	1	Series 10	
20	23001592	ADAPTOR	1	Series 10	
21	23002179	WASHER	1	Series 10	
22	23001265	WASHER (8)	1	Series 10	
23	23001306	LOCKING NUT, SELF	1	Series 10	

MFR35MNATS - 08 - BEARINGS & TRUNNION ASSEMBLY



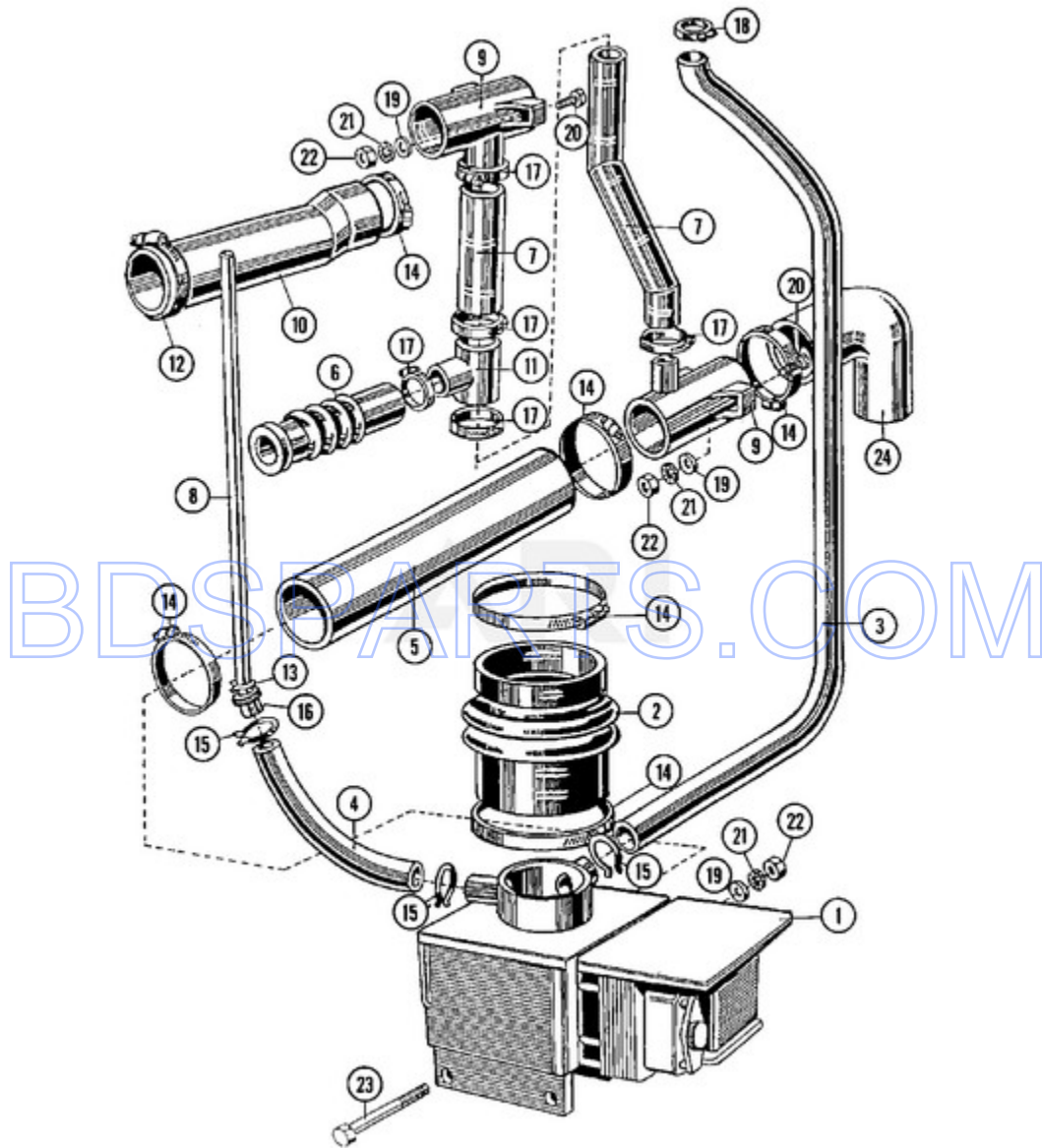
Ref #	Part #	Description	Qty	Context	Note	MSRP
1	23001207	TRUNNION ASSEMBLY	1	Series	10	
2	23001209	TRUNNION (CASTING ONLY)	-	Series	10	
2	23003981	BEARING HOUSING STUD 14MM	6	Series	10	
3	23001210	BEARING, FRONT	-	Series	10	
4	23001211	BEARING, REAR	-	Series	10	
5	23001212	RING, SEAL	-	Series	10	
6	23001213	SEAL, WATER	-	Series	10	
7	23001214	O-RING	-	Series	10	
8	23001215	HOLDER, WATER SEAL	-	Series	10	
9	23001216	BEARING, SHEILD	-	Series	10	
10	23001217	ROD, TENSION	-	Series	10	
11	23001218	RING, SPACER (STNLS STEEL)	-	Series	10	
12	23001219	BUSHING, BRASS	-	Series	10	
13	23001220	SEAL, AXIAL	-	Series	10	
14	23001221	SEAL, AXIAL HOLDER	-	Series	10	
15	23001222	GASKET, RUBBER	-	Series	10	
16	23001223	RING, CLAMP (STNLS STEEL)	-	Series	10	
17	23001224	BOLT (M14 X 25)	6	Series	10	
18	23001225	NUT (M14)	6	Series	10	
19	23001226	LOCK WASHER, SPRING (M14)	6	Series	10	
20	23001227	SCREW (M4 X 10 STNLS STEEL)	4	Series	10	
21	23001157	BOLT (M6 X 12 STNLS STEEL)	6	Series	10	
22	23001228	RING, SEAL (DIA. 14 X 6.5 X 1)	6	Series	10	
23	23001229	SCREW (M6 X 10 PK)	4	Series	10	
24	23001230	TRUNNION (CASTING ONLY)	1	Series	10	
25	23001231	BEARING (6209 2RS C3)	1	Series	10	
26	23001232	BEARING (REAR)	1	Series	10	
27	23001233	RING, SEAL	1	Series	10	
28	23001234	SEAL, WATER	1	Series	10	
29	23001235	RING, INTERNAL SNAP	1	Series	10	
30	23001236	RING, SPACER (FRONT BEARING)	1	Series	10	
31	23001237	RING, SPACER (REAR BEARING)	1	Series	10	
32	23001238	SPOKE	1	Series	10	
33	23001202	BOLT (M10X35 STNLS STEEL)	1	Series	10	
34	23001239	BOLT (M10 X 40)	1	Series	10	
35	23001205	BOLT (M8 X 45)	1	Series	10	
36	23001240	NUT (M10)	1	Series	10	
37	23001241	LOCKING NUT, SELF (M10) LU	1	Series	10	
38	23001201	WASHER (DIA. 22X11X1 BRASS)	1	Series	10	



<b>Ref #</b>	<b>Part #</b>	<b>Description</b>	<b>Qty</b>	<b>Context Note</b>	<b>MSRP</b>
39	23001242	LOCK WASHER, SPRING (M10)	1	Series 10	
40	23001243	WASHER (DIA. 20 X 10.5 X 2)	1	Series 10	

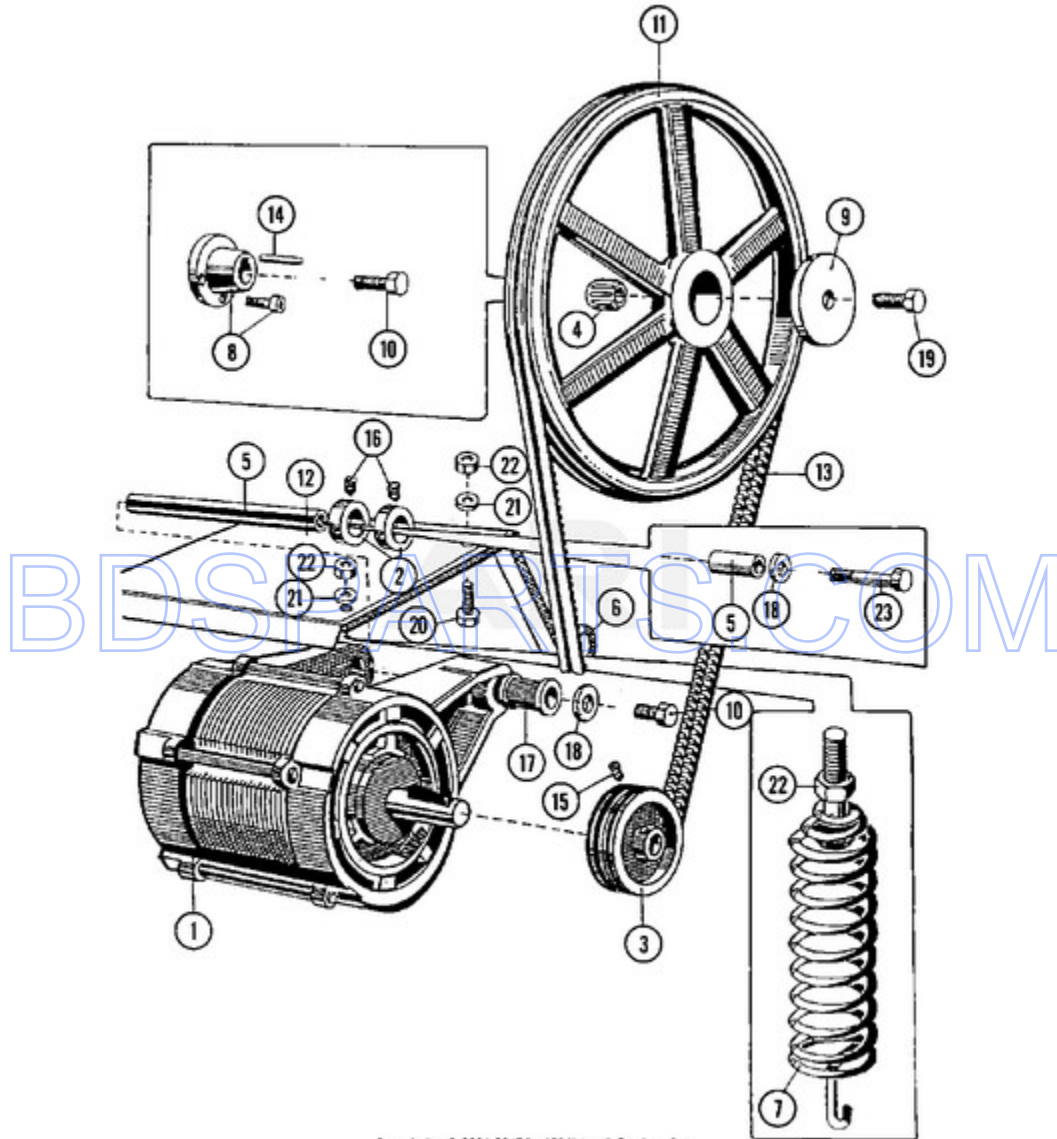
BDSPARTS.COM

MFR35MNATS - 09 - DRAIN & HOSE ASSEMBLY



Ref #	Part #	Description	Qty	Context Note	MSRP
1	23001244	VALVE, DRAIN (240V-50/60HZ)	1	Series 10	
1	23002321	MOTOR, DRAIN (240V)	1	Series 10	
2	23001245	HOSE, TUB	1	Series 10	
3	23001246	HOSE, BOTTOM FILL	1	Series 10	
4	23001247	HOSE, AIR DOME (30 CM)	1	Series 10	
5	23001248	HOSE, DRAIN	-	Series 10	
5	23001249	HOSE, DRAIN	1	Series 10	
6	23001250	HOSE, AIR VENT	1	Series 10	
7	23001251	HOSE, OVERFLOW	1	Series 10	
8	23001252	HOSE, WATER LEVEL SWITCH	1	Series 10	
9	23001253	TEE, DRAIN	1	Series 10	
10	23001254	AIR VENT HOSE, SOAP BOX	1	Series 10	
11	23001255	TEE, OVERFLOW HOSE	1	Series 10	
12	23001256	CLAMP, HOSE (60-80)	1	Series 10	
13	23001257	CLAMP, CORBIN (A5.5)	1	Series 10	
14	23001258	CLAMP, HOSE (70-90)	1	Series 10	
15	23001259	CLAMP, CORBIN (A17.5)	1	Series 10	
16	23001260	BUSHING, AIR DOME HOSE	1	Series 10	
17	23001261	CLAMP, HOSE (32-50)	1	Series 10	
18	23001262	CLAMP, HOSE (20-32)	1	Series 10	
19	23001263	WASHER (8.4)	1	Series 10	
20	23001264	BOLT M8X20	1	Series 10	
21	23001265	WASHER (8)	1	Series 10	
22	23001266	NUT (M8)	1	Series 10	
23	23001267	BOLT (M8 X 120)	1	Series 10	
24	23001268	HOSE, DRAIN (90 DIA.)	1	Series 10	

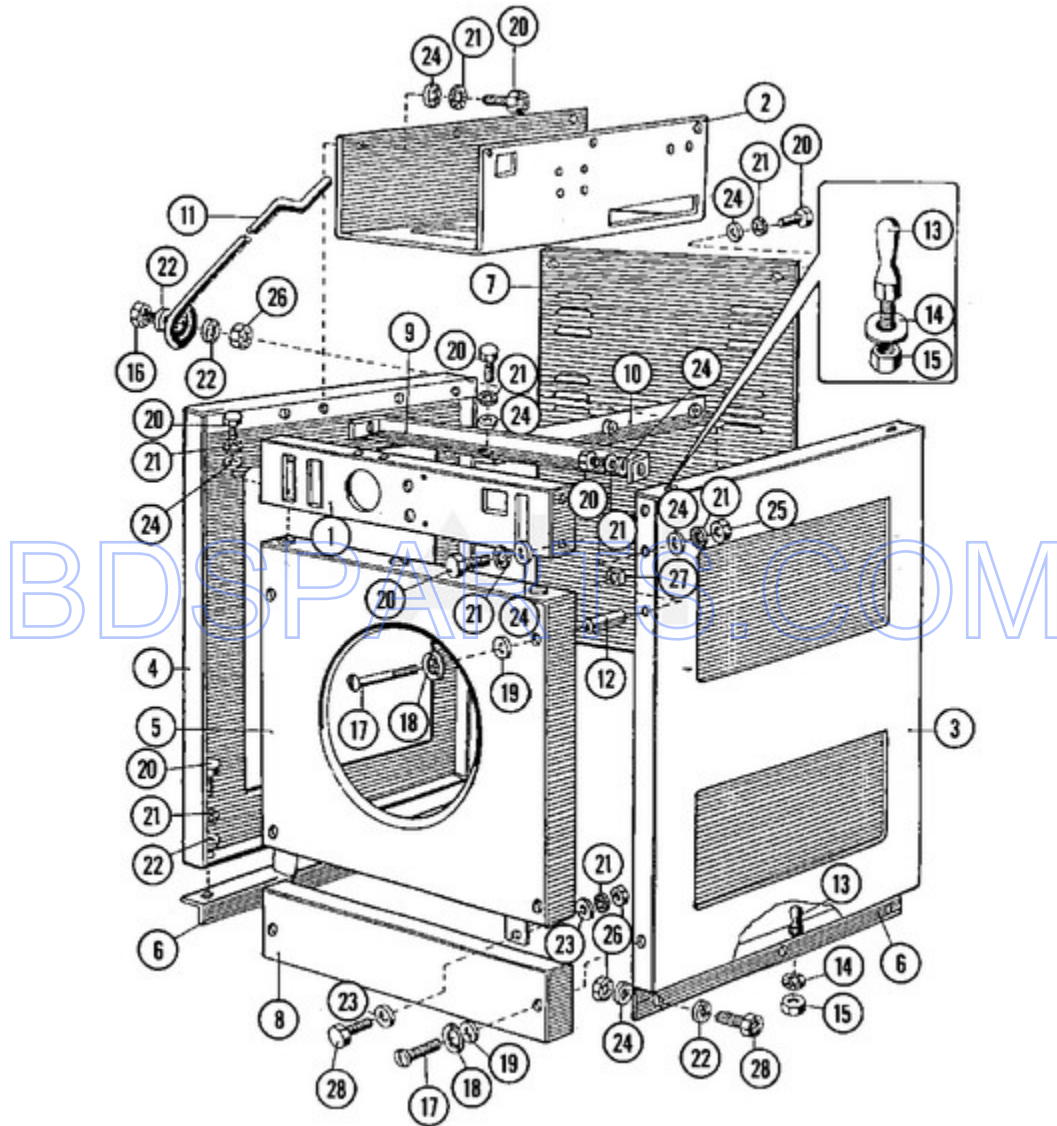
MFR35MNATS - 10 - MOTOR & BASKET PULLEY



Ref #	Part #	Description	Qty	Context Note	MSRP
1	23001269	MOTOR (SINGLE PHASE-240/208V)	1	Series 10	
1	23001270	MOTOR (THREE PHASE-240V/208V)	-	Series 10	
1	23001271	MOTOR (THREE PHASE 240/208V)	-	Series 10	
2	23001272	COLLAR, RETAINER	1	Series 10	
3	23001273	V-PULLEY (DIA. 53 X PZ 60HZ)	1	Series 10	
4	23001274	RING, TOLERANCE	-	Series 10	
5	23001275	ROD, MOTOR SUPPORT	-	Series 10	
5	NLA	ROD, MOTOR SUPPORT	1	Series 10	
6	23001278	TENSIONER, BELT (SINGLE PHASE)	1	Series 10	
7	23001279	BELT, TENSION SPRING	1	Series 10	
8	23001280	BUSHING, TAPERED (W/KEY SLOT)	1	Series 10	
9	23001281	WASHER (DIA. 90 X 10)	-	Series 10	
9	23001282	WASHER (DIA. 37 X 13 X 3)	1	Series 10	
10	23001283	BOLT (M12 X 35)	1	Series 10	
11	23001284	PULLEY, BASKET (DIA. 450)	1	Series 10	
11	23001285	PULLEY, BASKET (DIA. 450)	-	Series 10	
12	23001286	SHIELD, MOTOR	1	Series 10	
13	23001287	V-BELT (XPZ X 1950)	1	Series 10	
14	23001288	KEY, BASKET PULLEY(10 X 8X 60)	1	Series 10	
15	23001289	SCREW, ALLEN SET (M8 X 10)	1	Series 10	
16	23001290	SCREW, ALLEN SET (M6 X 6)	1	Series 10	
17	23001291	BUSHING, RUBBER MOTOR MOUNT	1	Series 10	
18	23001292	WASHER (13)	1	Series 10	
19	23001293	BOLT (M14 X 50)	-	Series 10	
20	23001264	BOLT M8X20	1	Series 10	
21	23001265	WASHER (8)	1	Series 10	
22	23001266	NUT (M8)	1	Series 10	
23	23001294	BOLT (M12 X 70)	1	Series 10	

Ref #	Part #	Description	Qty	Note
1	23001296	FRAME	-	Series 10
1		NLA FRAME	1	Series 10
2	23001297	CLAMP, TUB	1	Series 10
3	23001298	BRACE, TUB SUPPORT	1	Series 10
4	23001299	PANEL, SUPPORT BRACKET (RT)	1	Series 10
5	23001300	PANEL, SUPPORT BRACKET (LT)	1	Series 10
6	23001302	BRACKET	1	Series 10
7	23001294	BOLT (M12 X 70)	1	Series 10
8	23001292	WASHER (13)	1	Series 10
9	23001303	NUT (M12)	1	Series 10
10	23001205	BOLT (M8 X 45)	1	Series 10
11	23001304	BOLT (M8 X 35)	1	Series 10
12	23001266	NUT (M8)	1	Series 10
13	23001306	LOCKING NUT, SELF	1	Series 10
14	23001263	WASHER (8.4)	1	Series 10
15	23001265	WASHER (8)	1	Series 10
16	23001307	BOLT (M6 X 20)	1	Series 10
17	23001308	HARDWARE, GROUNDING	1	Series 10
18	23001309	WASHER (6.4) LU	1	Series 10
19	23001159	WASHER (DIA. 14X8.6X1 STNLS)LU	1	Series 10
20	23001028	LOCKWASHER (EXTERNAL TEETH M6)	1	Series 10
21	23001310	NUT, SELF LOCKING (M6)	1	Series 10
22	23001034	NUT (M6)	1	Series 10
23	23001311	BOLT (M6 X 25)	1	Series 10
24	23001312	NUT (M6)	1	Series 10
25	23001313	WASHER (6.4)	1	Series 10

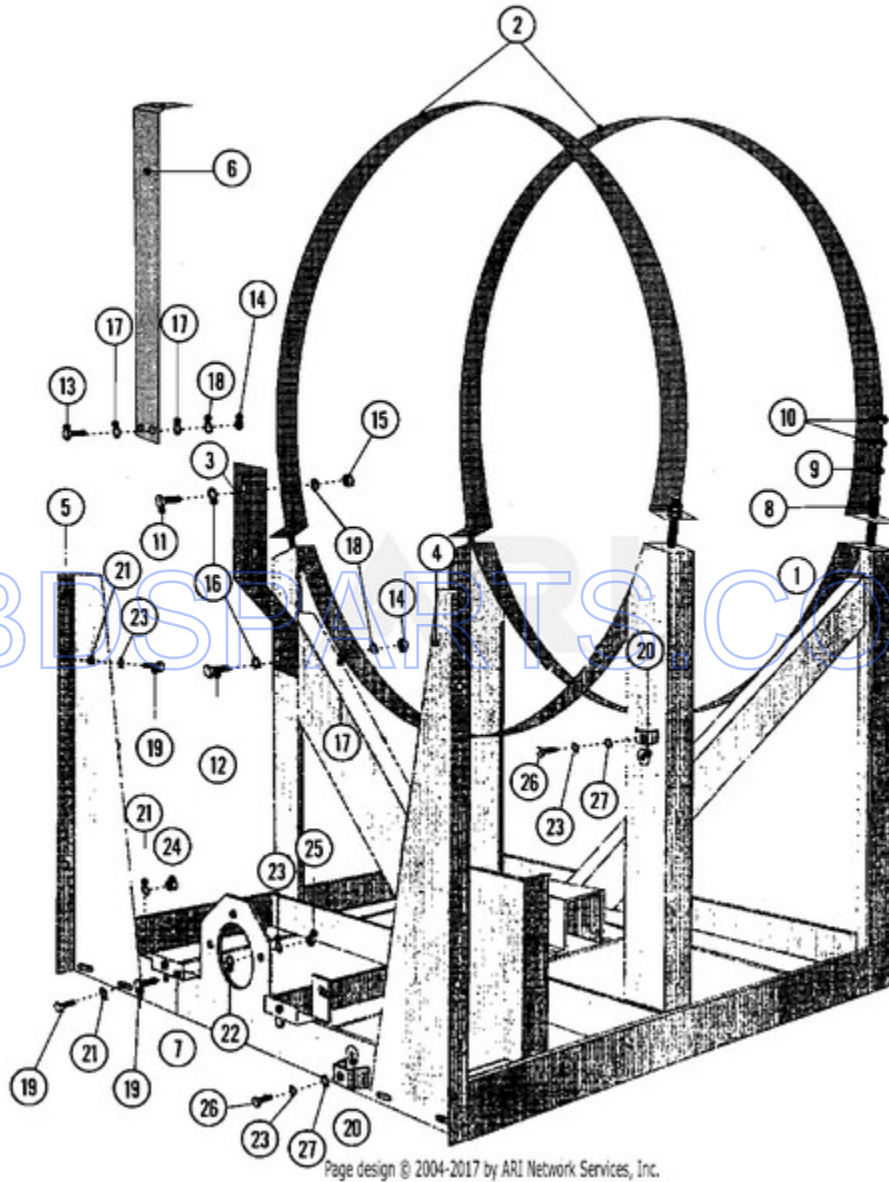
MFR35MNATS - 12 - CABINET



Ref #	Part #	Description	Qty	Context	Note	MSRP
1	23001039	PLATE, BACK-UP (COIN METER)	1	Series	10	
1	NLA	PANEL, CONTROL	1	Series	10	
2	23001314	TRAY, ELEC. COMPONENTS	1	Series	10	
3	23001316	PANEL, SIDE (RT)	1	Series	10	
3	23001317	PANEL, SIDE (RT)	-	Series	10	
4	23001318	PANEL, SIDE (LT)	1	Series	10	
4	23001319	PANEL, SIDE (LT)	-	Series	10	
5	23001320	PANEL, FRONT (SS)COIN	1	Series	10	
6	23001321	PANEL, SUPPORT (RT)	1	Series	10	
6	23001322	(LT)	1	Series	10	
6	23001323	PANEL, SUPPORT (LT)	-	Series	10	
6	23001324	(RT)	-	Series	10	
7	23001325	PANEL (REAR)	1	Series	10	
8	23001326	PANEL, ACCESS (LWR)	1	Series	10	
9	23001327	BEAM, CROSS	1	Series	10	
10	23001328	BRACE	1	Series	10	
10	23001329	BRACE	-	Series	10	
11	23001330	SUPPORT ROD, TOP PANEL	1	Series	10	
12	23001331	SPACER, PANEL	1	Series	10	
13	23001332	PIN, SRV	1	Series	10	
14	23001333	LOCKWASHER (M5)	1	Series	10	
15	23001334	NUT (M5) LU	1	Series	10	
16	23001335	BOLT (M6X25)	1	Series	10	
17	23001336	SCREW (M6 X 50)	1	Series	10	
18	23001337	WASHER, FINISHING	1	Series	10	
19	23001338	WASHER, FIBER (DIA. 15X7X3)	1	Series	10	
20	23001026	BOLT (M6 X 16)	1	Series	10	
21	23001028	LOCKWASHER (EXTERNAL TEETH M6)	1	Series	10	
22	23001309	WASHER (6.4) LU	1	Series	10	
23	23001309	WASHER (6.4) LU	1	Series	10	
24	23001027	WASHER (DIA. 12 X 6.5 X 1.6)	1	Series	10	
25	23001034	NUT (M6)	1	Series	10	
26	23001310	NUT, SELF LOCKING (M6)	1	Series	10	
27	23001339	NUT, CAGE	1	Series	10	
28	23001307	BOLT (M6 X 20)	1	Series	10	
29	23001088	RUBBER TRIM	1	Series	10	
30	23001548	BOX CONDENSATORS	2	Series	10	

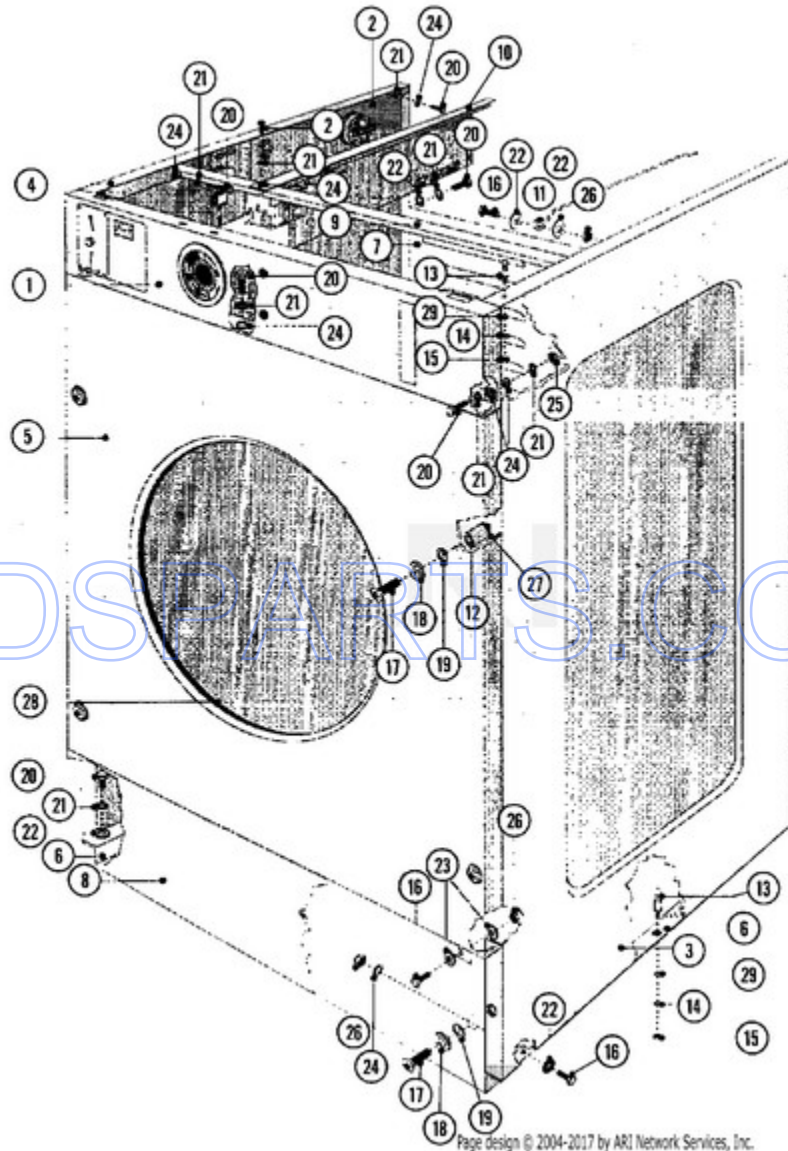


MFR35MNATS - 13 - BASE FRAME (SERIES 11)



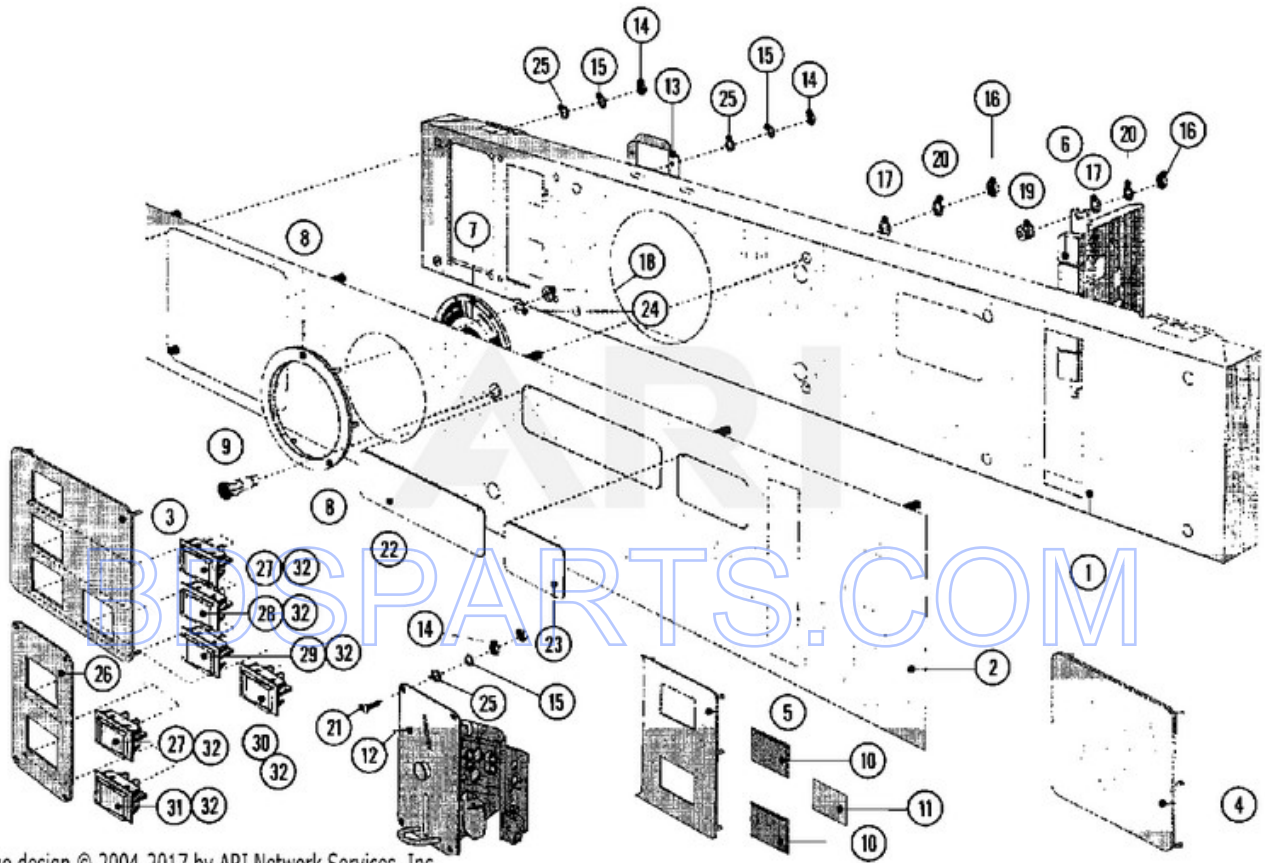
Ref #	Part #	Description	Qty	Context Note	MSRP
1	23002840	FRAME	1	Series 11	
1	23002960	FRAME	-	Series 11	
2	23001297	CLAMP, TUB	2	Series 11	
3	23002841	BRACE, TUB SUPPORT	1	Series 11	
4	23002842	BRACKET, SUPPORT (RT-SIDE)	1	Series 11	
5	23002843	BRACKET, SUPPORT (LT-SIDE)	1	Series 11	
6	23002844	HOLDER, STEAM TUBE	1	Series 11	
7	23002845	CONNECTION, PART BACK PLATE	2	Series 11	
8	23002846	SCREW (M12X70)	4	Series 11	
8	23002931	SCREW (M14X50)	4	Series 16	
9	23002258	WASHER M14	4	Series 16	
9	23002657	WASHER (13)	4	Series 11	
10	23001599	NUT (M12)	8	Series 11	
10	23003746	NUT, M14	8	Series 16	
11	23002847	SCREW (M8X45)	2	Series 11	
12	23001304	BOLT (M8 X 35)	2	Series 11	
13	23002647	SCREW (M8 X 25)	2	Series 11	
14	23002435	NUT (M8)	4	Series 11	
15	23001607	NUT (M8)	2	Series 11	
16	23001263	WASHER (8.4)	2	Series 11	
17	23002653	WASHER (8/6)	6	Series 11	
18	23002358	WASHER (M8)	6	Series 11	
19	23002462	SCREW (M6 X 20) LU	10	Series 11	
20	NLA	PLATE, INDEX	2	Series 11	
21	23001309	WASHER (6.4) LU	12	Series 11	
22	23002282	WASHER (6)	2	Series 11	
23	23001734	WASHER (M6)	8	Series 11	
24	23002471	NUT	4	Series 11	
25	23002436	NUT (M6)	2	Series 11	
26	23002353	SCREW (M6X12)	2	Series 11	
27	23001643	WASHER (M6)	2	Series 11	

MFR35MNATS - 14 - CABINET (SERIES 11)



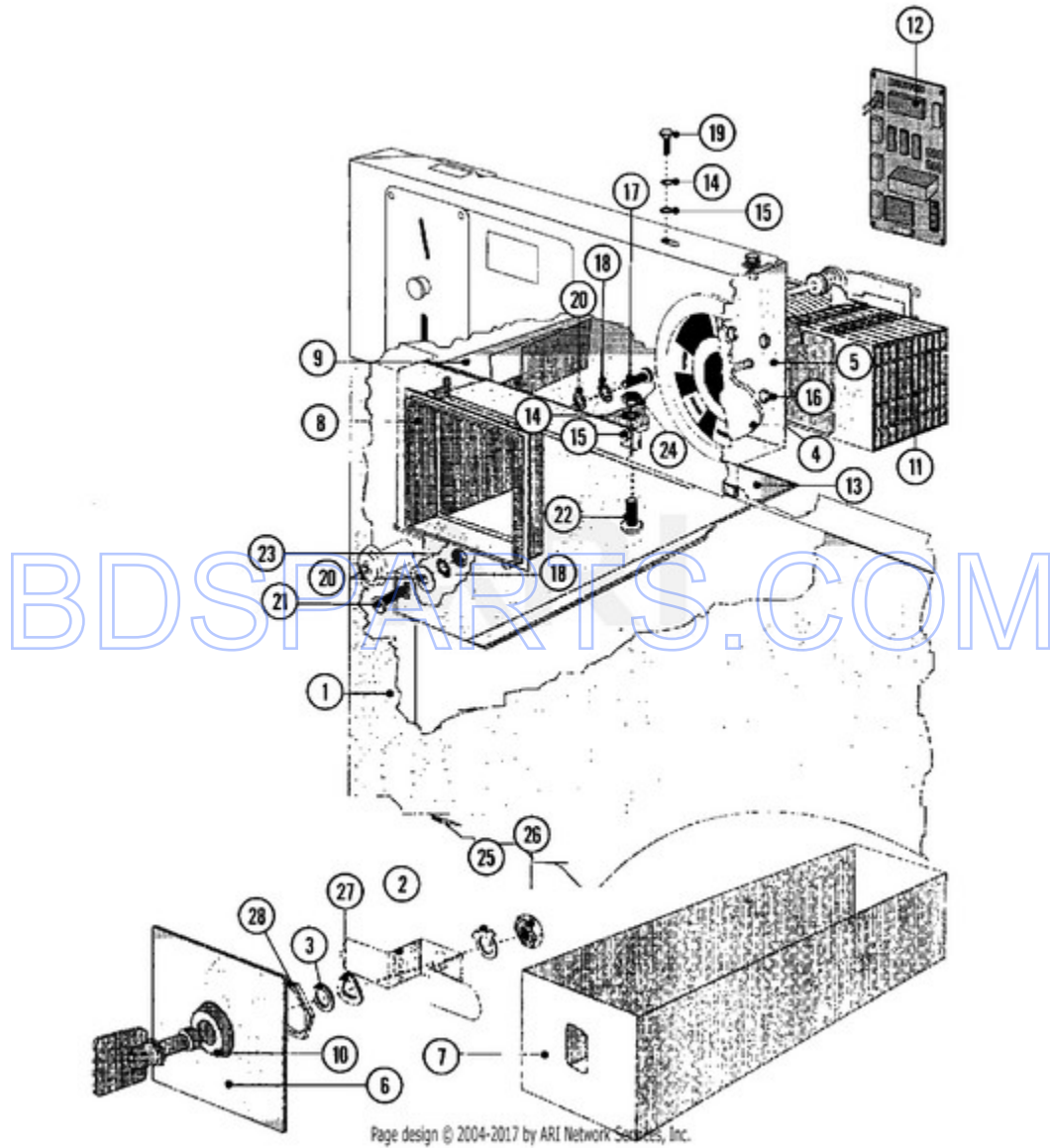
Ref #	Part #	Description	Qty	Context	Note	MSRP
1	23002848	PANEL, CONTROL (PUSH BUTTON)	1	Series	11	
2	23002850	COMPONENTS, BOX ELEC.	1	Series	11	
2	NLA	HOLDER, CONDENSER	1	Series	11	
3	23002851	PANEL, SIDE (RT)	1	Series	11	
3	23002962	PANEL, SIDE (RT)	-	Series	11	
4	23002852	PANEL, SIDE (LT)	1	Series	11	
4	23002963	PANEL, SIDE (LT)	-	Series	11	
5	23001320	PANEL, FRONT (PUSH BUTTON)	1	Series	11	
5	23002853	PANEL, FRONT (SS)OPL	1	Series	11	
6	23002854	SUPPORT, PANEL (RT)	1	Series	11	
6	23002855	PANEL, SUPPORT (LT)	1	Series	11	
6	23002964	SUPPORT, PANEL (LT)	-	Series	11	
6	23002965	SUPPORT, PANEL (RT)	-	Series	11	
7	23002856	PLATE, BACK	1	Series	11	
8	23002857	PANEL, SERVICE (STAINLESS)	1	Series	11	
9	23002858	BEAM, CROSS	1	Series	11	
10	23001329	HOLDER, BOX	1	Series	11	
10	23002859	HOLDER, BOX	-	Series	11	
11	23001330	SUPPORT ROD, TOP PANEL	1	Series	11	
12	23002860	TUBE, DISTANCE	4	Series	11	
13	23001332	PIN, SRV	4	Series	11	
14	23002465	WASHER, LOCK	4	Series	11	
15	23002466	NUT (M5)	4	Series	11	
16	23002861	SCREW (M6X25) LU	9	Series	11	
17	23002456	SCREW (M6 X 50)	6	Series	11	
18	23001337	WASHER, FINISHING	6	Series	11	
19	23001338	WASHER, FIBER (DIA. 15X7X3)	6	Series	11	
20	23002354	SCREW (M6X16)	34	Series	11	
21	23002756	WASHER	38	Series	11	
22	23001309	WASHER (6.4) LU	20	Series	11	
23	23001203	WASHER (DIA. 16 X 8.4 X 1.6)	8	Series	11	
24	23002282	WASHER (6)	22	Series	11	
25	23002436	NUT (M6)	4	Series	11	
26	23002471	NUT	8	Series	11	
27	23001339	NUT, CAGE	4	Series	11	
28	23001088	RUBBER TRIM	1	Series	11	
29	23002862	WASHER (5,3)	4	Series	11	

MFR35MNATS - 15 - CONTROL PANEL (SERIES 11)



Ref #	Part #	Description	Qty	Context	Note	MSRP
1	23001039	PLATE, BACK-UP (COIN METER)	1	Series	11	
2	23001489	PANEL, CONTROL	1	Series	11	
2	23001495	PANEL, CONTROL	-	Series	11	
3	NLA	PLATE, INSERT (THREE BUTTONS)	1	Series	11	
4	NLA	INSERT PLATE	1	Series	11	
5	23001041	INSERT PLATE, COIN COUNTER	1	Series	11	
6	23001042	SELECTOR SWITCH, PROGRAM	1	Series	11	
7	23002495	DISK, INDICATOR (SYMBOLS)	1	Series	11	
8	23001044	ORNAMENTAL RING INDICATOR DISC	1	Series	11	
9	23001046	LAMP, INDICATOR	2	Series	11	
10	23001047	LENS	1	Series	11	
10	23001049	LENS, TRANSPARENT RED	1	Series	11	
10	NLA	ALUMINIUM	1	Series	11	
11		STICKER, COIN	1	Series	11	
12	23001063	COIN METER (25 CENTS-240V)	1	Series	11	
13	23002864	PLATE, FIXATION (PLEXI)	2	Series	11	
14	23002500	WASHER, LOCK	16	Series	11	
15	23002865	LOCK WASHER (M3)	10	Series	11	
16	23002399	NUT(M4)	16	Series	11	
17	23001056	WASHER (4.3)	16	Series	11	
18	23001057	SPEEDNUT (M3)	-			
19	23001058	SPACER	6	Series	11	
20	23002426	WASHER, LOCK (M4)	16	Series	11	
21	23001064	ORNAMENTAL SCREW (M3 X 10)	4	Series	11	
22	NLA	PLATE, INDEX	1	Series	11	
23	NLA	PLATE, INDEX	1	Series	11	
24	23002325	WASHER	6	Series	11	
25	23002174	WASHER (3.2)	12	Series	11	
26	NLA	LABEL, PUSH BUTTON	1	Series	11	
27	23001530	BUTTON (START)	1	Series	11	
28	23002868	KNOB, PUSH BUTTON (ECO)	1	Series	11	
29	23001114	ROCKER SWITCH, PREWASH/NO PREW	1	Series	11	
30	23001531	BUTTON (ON/OFF)	1	Series	11	
31	23001452	PLUG (WHT)	1	Series	11	
32	23001532	COVER, BUTTON (PLASTIC)	4	Series	11	

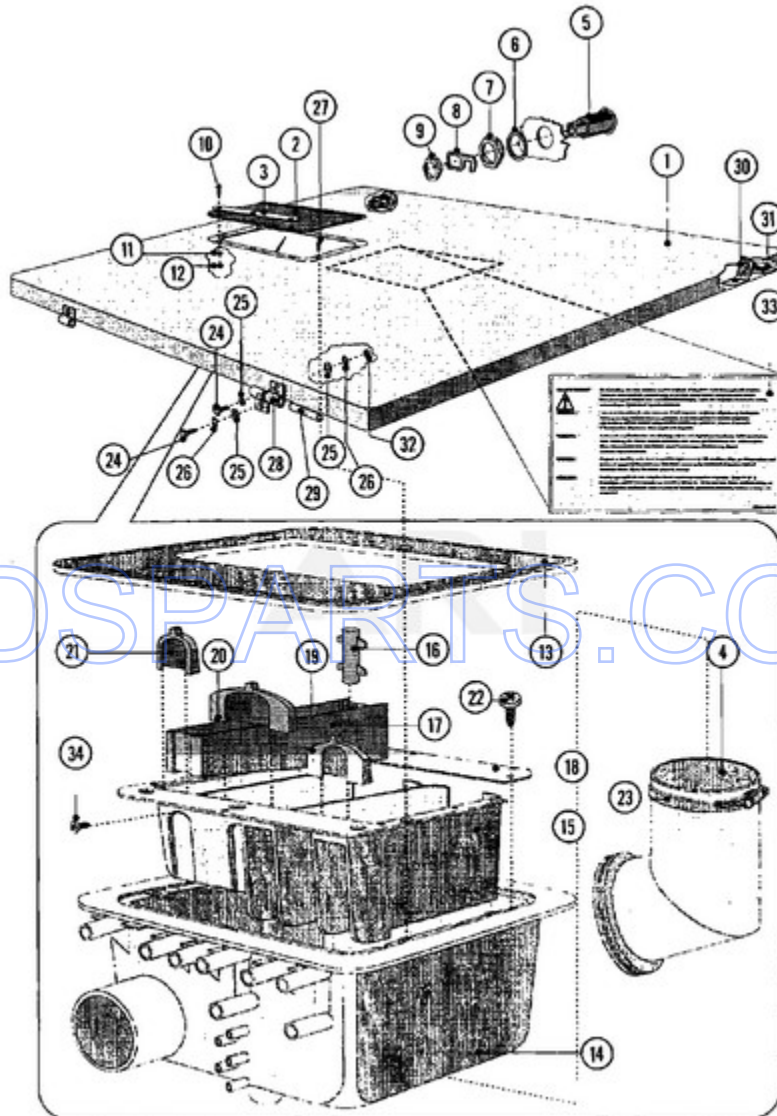
MFR35MNATS - 16 - TIMER & COIN ASSEMBLY (SERIES 11)



Ref #	Part #	Description	Qty	Context	Note	MSRP
1	23001320	PANEL, FRONT (SS)COIN	1	Series	11	
2	23002879	CAM, COIN LOCK BOX	1	Series	11	
3	23001580	WASHER (6.4)	1	Series	11	
4	23001060	INDICATOR DISC, TIMER	1	Series	11	
5	23002880	TIMER, SUPPORT	1	Series	11	
6	23002881	PLATE, COIN VAULT ORNAMENTAL	1	Series	11	
7	23002882	BOX, COIN	1	Series	11	
8	23002883	VAULT, ORNAMENTAL	1	Series	11	
9	23002884	VAULT, COIN (SINGLE) LU	1	Series	11	
10	23002885	LOCK, COIN VAULT	1	Series	11	
11	23001065	TIMER (PR 6023 230V)	1	Series	11	
12	23001066	COIN COUNTER (W/LED DISPLAY)	1	Series	11	
13	23001502	SUPPORT, COIN VAULT	1	Series	11	
14	23002756	WASHER	4	Series	11	
15	23001027	WASHER (DIA. 12 X 6.5 X 1.6)	4	Series	11	
16	23002886	SCREW (M4X4)	4	Series	11	
17	23002423	SCREW (M4X10)	4	Series	11	
18	23002111	WASHER (4)	5	Series	11	
19	23002354	SCREW (M6X16)	2	Series	11	
20	23001610	WASHER (4.3)	5	Series	11	
21	23001012	SCREW (M4 X 12 STNLS STEEL)	1	Series	11	
22	NLA	SCREW (M6X12)	1	Series	11	
23	23002399	NUT(M4)	1	Series	11	
24	23002436	NUT (M6)	2	Series	11	
25	NLA	WASHER, SELF LOCKING	1	Series	11	
26	NLA	NUT, LOCK (SMALL)	1	Series	11	
27	NLA	WASHER, SPRING LOCK	1	Series	11	
28	NLA	NUT, LOCK (BIG)	1	Series	11	
29	23002334	MC TO MN CONVERS.(CSA)	1	Series	11	

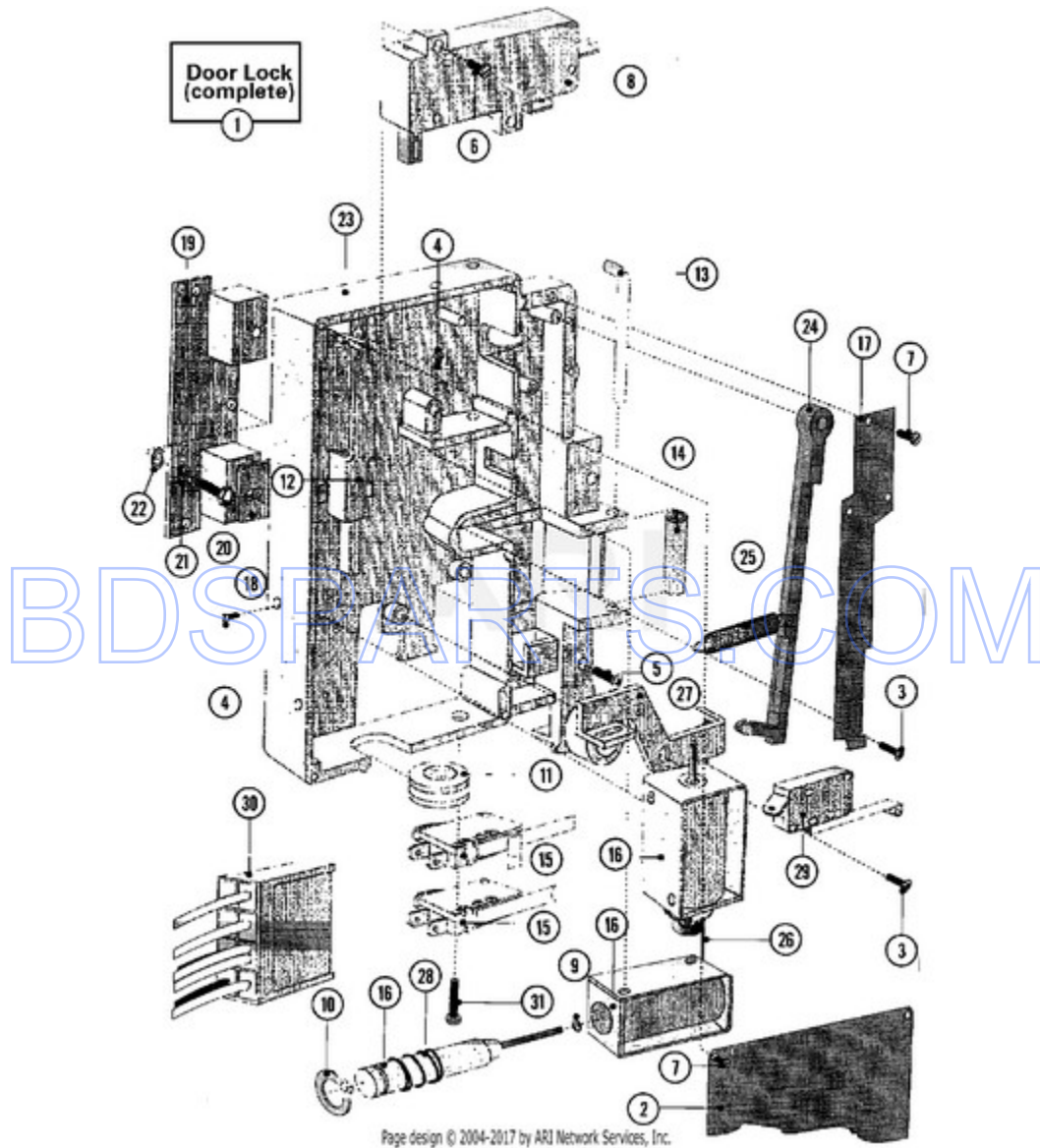


MFR35MNATS - 17 - SOAP BOX & TOP COVER ASSEMBLY(SERIES 11)



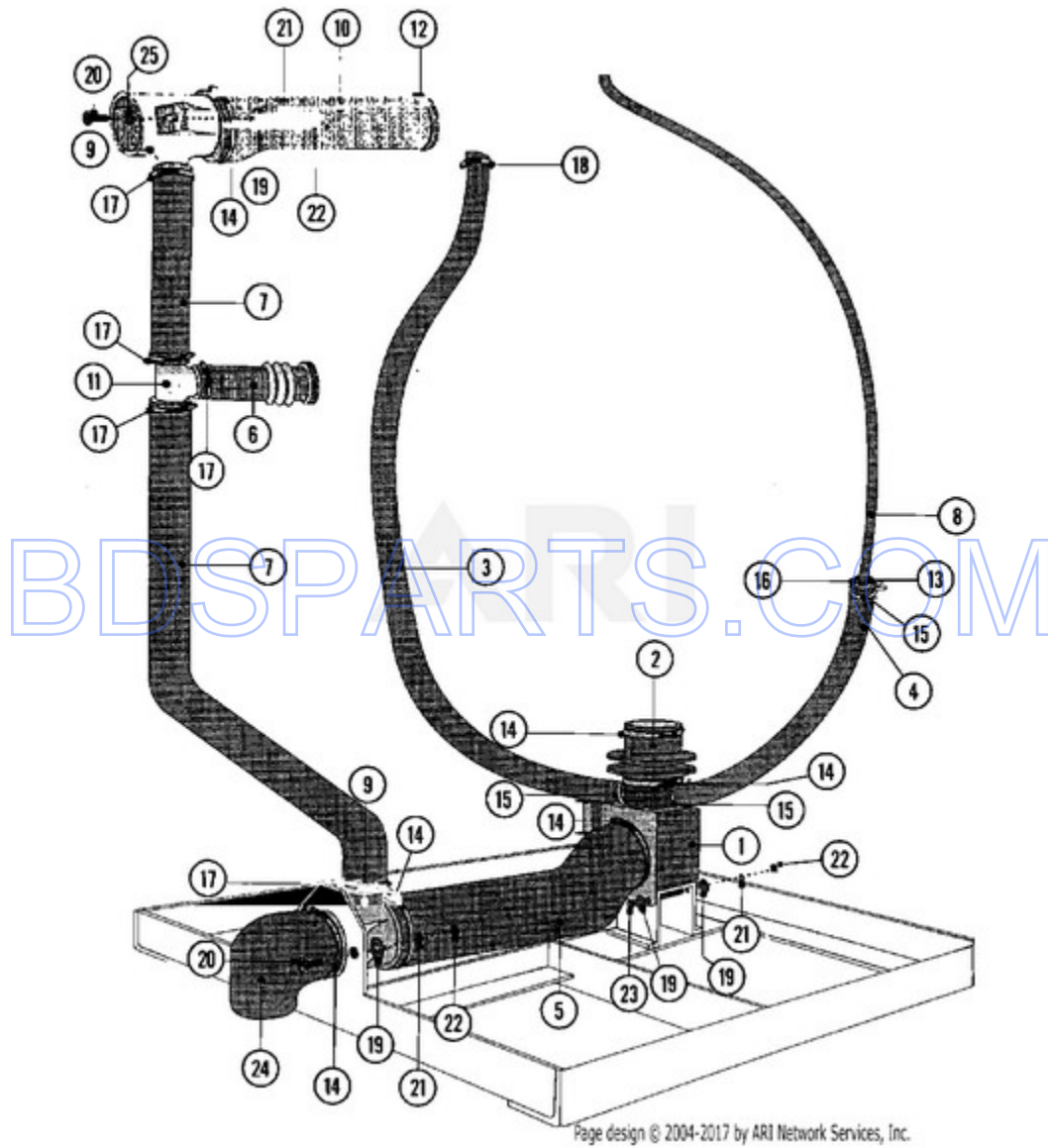
Ref #	Part #	Description	Qty	Context	Note	MSRP
1	23002892	COVER, TOP	1	Series	11	
1	23002968	COVER, TOP (STLNS)	-	Series	11	
2	23001003	RUBBER COVER, SOAP BOX	1	Series	11	
3	23002893	LATH, RUBBER COVER SOAP HOPPER	1	Series	11	
4	23001005	RUBBER HOSE, SOAP BOX	1	Series	11	
5	23001006	LOCK, TOP PANEL	2	Series	11	
6	23001007	WASHER, FIBER	2	Series	11	
7	23001008	LOCK NUT (LARGE)	2	Series	11	
8	23001009	LOCK HOOK (SHORT)	2	Series	11	
8	23001010	LOCK HOOK (LONG)	2	Series	11	
9	23001011	NUT	2	Series	11	
10	23001012	SCREW (M4 X 12 STNLS STEEL)	3	Series	11	
11	23001636	WASHER	3	Series	11	
12	23002652	NUT (QTY OF 4 = 1 PIECE)	3	Series	11	
13	23001015	RUBBER SEAL, SOAP BOX	1	Series	11	
14	23001016	SOAP BOX HOUSING	1	Series	11	
15	23001017	SOAP BOX INSERT	1	Series	11	
16	23001018	SIPHON	1	Series	11	
17	23001019	TRAY	1	Series	11	
18	23001020	COVER, PLATE	1	Series	11	
19	23001021	DRAWER, PREWASH	1	Series	11	
20	23001022	DRAWER, MAIN WASH	1	Series	11	
21	23001023	DRAWER, LAST RINSE	1	Series	11	
22	23001024	SCREW	8	Series	11	
23	23001025	CLAMP, HOSE (DIA 90/110)	1	Series	11	
24	23002462	SCREW (M6 X 20) LU	4	Series	11	
25	23001027	WASHER (DIA. 12 X 6.5 X 1.6)	6	Series	11	
26	23002756	WASHER	4	Series	11	
27	23002894	SCREW (M5X15)	4	Series	11	
28	23001030	HINGE, TOP COVER	4	Series	11	
29	23001031	HINGE SHAFT (10 X 56 BRASS)	2	Series	11	
30	23001032	CLAMP, SRV	2	Series	11	
31	23001033	RIVETS, BLIND (DIA. 3.2 X 8)LU	4	Series	11	
32	23002436	NUT (M6)	2	Series	11	
33	23001550	LABEL, EARTH	1	Series	11	
34	NLA	SCREW, SLOTTED (PAN HEAD)	1	Series	11	

MFR35MNATS - 18 - DOOR LOCK ASSEMBLY (SERIES 11)



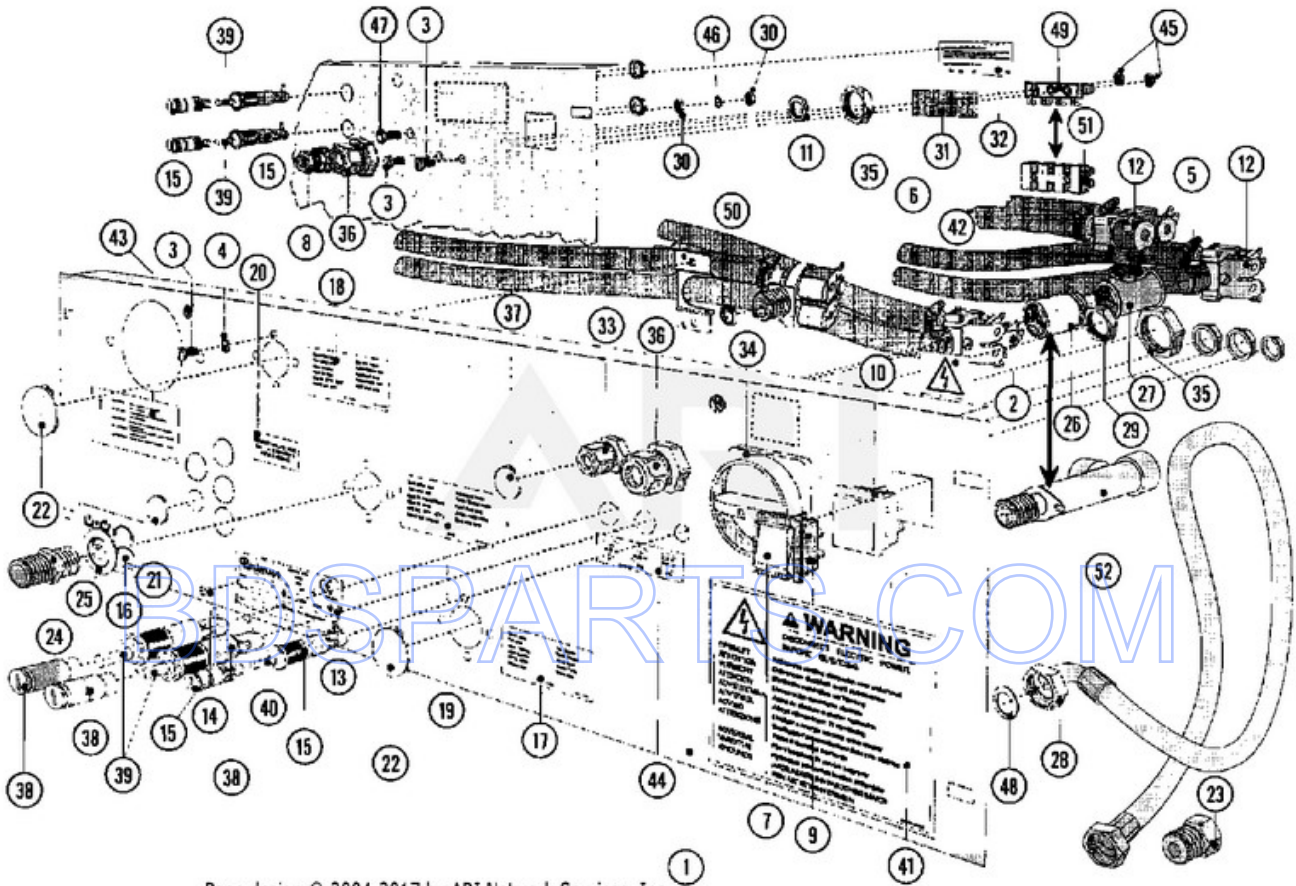
Ref #	Part #	Description	Qty	Context	Note	MSRP
1	23003679	DOOR LATCH COMPLETE (MC/MN)	1	Series	11	
2	23001130	PLATE, COVER (STNLS STEEL)	1	Series	11	
3	23001131	SCREW (M3 X 14 CROSS RECESSED)	3	Series	11	
4	23001132	SCREW (M3 X 4 CROSS RECESSED)	4	Series	11	
5	23001133	SCREW (M5X25 STAINLESS STEEL)	2	Series	11	
6	23001070	SCREW (M4X10)	2	Series	11	
7	23001134	BOLT (M3 X 6)	7	Series	11	
8	23001135	BIMETAL, ACTUATOR (230V)	1	Series	11	
9	23001136	WASHER (DIA. 5.1 X 3.3 X 0.1)	2	Series	11	
10	23001137	RING, RETAINING (G10)	1	Series	11	
11	23001138	BUSHING, CABLE PASSAGE	1	Series	11	
12	23001140	BAR, LOCKING	1	Series	11	
13	23001142	RETAINER, LOCK TUBE (DIA.4X45)	1	Series	11	
14	23001143	LOCK TUBE (DIA. 4X23.5 STNLS)	1	Series	11	
15	23001144	MICROSWITCH, SHORT LEVER	1	Series	11	
16	23001146	COIL (240V)	1	Series	11	
16	23001147	COIL (120V)	1	Series	11	
17	23001149	LEAF SPRING, LATCH BAR	1	Series	11	
18	23001155	SHIM	1	Series	11	
19	23001156	SPACER, LOCK	1	Series	11	
20	23002353	SCREW (M6X12)	3	Series	11	
21	23002130	WASHER (6)	3	Series	11	
22	23001159	WASHER (DIA. 14X8.6X1 STNLS)LU	3	Series	11	
23	Y23002898	GROUND, PLATE LOCK	1	Series	11	
24	23002899	HANDLE, LOCKING PART	1	Series	11	
25	23002900	SPRING, LOCKING PART	1	Series	11	
26	23002901	CORD, OPENING	1	Series	11	
27	NLA	LEVEL, OPENING	1	Series	11	
28	23002903	SPRING, LOCKING PART	1	Series	11	
29	23002337	MICROSWITCH W/ ROLLER ARM	1	Series	11	
30	23002904	WIRING, DOOR LOCK	1	Series	11	
31	23002906	SCREW (M3X25)	2	Series	11	

MFR35MNATS - 19 - DRAIN & HOSE ASSEMBLY (SERIES 11)



Ref #	Part #	Description	Qty	Context	Note	MSRP
1	23001244	VALVE, DRAIN (240V-50/60HZ)	1	Series	11	
2	23002907	TUB, OUTLET VALVE HOSE	1	Series	11	
3	23001246	HOSE, BOTTOM FILL	1	Series	11	
4	23001247	HOSE, AIR DOME (30 CM)	1	Series	11	
5	23001248	HOSE, DRAIN	-	Series	11	
5	23001249	HOSE, DRAIN	1	Series	11	
6	23001250	HOSE, AIR VENT	1	Series	11	
7	23001251	HOSE, OVERFLOW	2	Series	11	
8	23001252	HOSE, WATER LEVEL SWITCH	1	Series	11	
9	23001253	DRAIN TEE	2	Series	11	
10	23001254	AIR VENT HOSE, SOAP BOX	1	Series	11	
11	23001255	TEE, OVERFLOW HOSE	1	Series	11	
12	23001256	CLAMP, HOSE (60-80)	1	Series	11	
13	23001257	CLAMP, CORBIN (A5.5)	1	Series	11	
14	23001258	CLAMP, HOSE (70-90)	6	Series	11	
15	23001259	CLAMP, CORBIN (A17.5)	3	Series	11	
16	23001260	BUSHING, AIR DOME HOSE	1	Series	11	
17	23001261	CLAMP, HOSE (32-50)	5	Series	11	
18	23001262	CLAMP, HOSE (20-32)	1	Series	11	
19	23002437	WASHER M8	8	Series	11	
20	23002475	BOLT (M8X20)	4	Series	11	
21	23002358	WASHER (M8)	6	Series	11	
22	23002435	NUT (M8)	6	Series	11	
23	23002908	SCREW (M8X120)	2	Series	11	
24	23002822	ELBOW, 90 DEGREE	1	Series	11	
25	23002653	WASHER (8/6)	2	Series	11	

MFR35MNATS - 20 - WATER VALVE & REAR PANEL (SERIES 11)



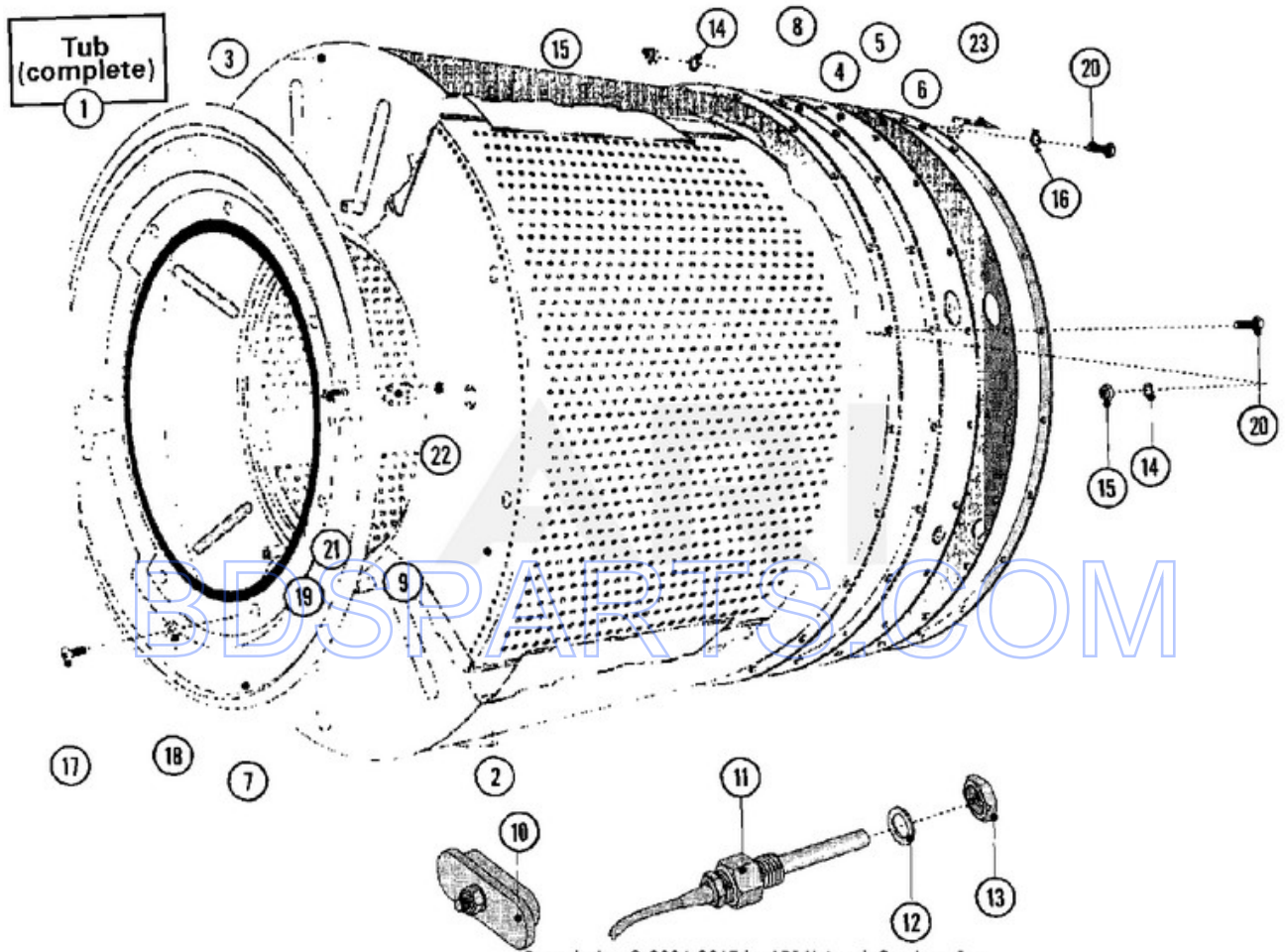
Ref #	Part #	Description	Qty	Context	Note	MSRP
1	23002909	BRIDGE, REAR	1	Series	11	
2	23001533	VALVE, THREE-WAY	1	Series	11	
3	23002423	SCREW (M4X10)	4	Series	11	
4	23002111	WASHER (4)	4	Series	11	
5	23001506	CLAMP, HOSE	14	Series	11	
6	23001507	WATERHOSE (GREEN)	1	Series	11	
7	23001532	COVER, BUTTON (PLASTIC)	1	Series	11	
8	23001453	NUT, SWIVEL (PG9)	1	Series	11	
9	23001529	BUTTON (RAPID ADVANCE)	1	Series	11	
10	23001452	PLUG (WHT)	1	Series	11	
11	23001450	SWIVEL (PG9)	1	Series	11	
12	23001455	VALVE, TWO WAY (220V 50/60HZ)	2	Series	11	
13		PLATE, IDENTIFICATION	1	Series	11	
14	23001461	RIVETS, BLIND	2	Series	11	
15	23001462	HOLDER, FUSE	1	Series	11	
16	23001468	STICKER, SPIN DIRECTION	1	Series	11	
17	NLA	PLATE, INDEX ``HOT WATER``	1	Series	11	
18	NLA	PLATE, INDEX (COLD HARD WATER)	1	Series	11	
19	NLA	PLATE, INDEX (COLD SOFT WATER)	1	Series	11	
20	23001509	STICKER, PIPE THREAD	1	Series	11	
21	NLA	PLUG (13)	5	Series	11	
22	23001476	PLUG, WATER INLET	1	Series	11	
23	23001477	ADAPTER (3/4`` PIPE TO 3/4`` HOS	3	Series	11	
24	23001482	NIPPLE (3/4`` PIPE THREAD)	1	Series	11	
25	23001483	WASHER (DIA. 40 X 6.5 X 3)	1	Series	11	
26	23001484	EXTENSION, BRASS PIPE THREAD	1	Series	11	
27	23001485	TEE, 3/4`` PIPE THREAD (BRASS)	1	Series	11	
28	23001523	HOSE, CONNECTION	2	Series	11	
29	23002197	NUT	1	Series	11	
30	23001312	NUT (M6)	2	Series	11	
31	23001115	INSULATION PAPER	1	Series	11	
32	NLA	LABEL, TERMINAL	1	Series	11	
33	23002196	SWIVEL, CABLE	1	Series	11	
34	23001731	SWITCH, MAIN (63A)	1	Series	11	
34	23002914	SWITCH, MAIN (20A)	1	Series	11	
34	23002915	SWITCH, MAIN (32A)	1	Series	11	
34	23002916	SWITCH, MAIN (80A)	1	Series	11	
35	23002212	NUT	1	Series	11	
36	NLA	SWIVEL	1	Series	11	
37	23002243	PLUG, UNIVERSAL	1	Series	11	
38	23002210	HOLDER, FUSE	2	Series	11	
39	23001508	FUSE (1A)	1	Series	11	
39	23002918	FUSE (1A)	1	Series	11	
40	23002919	FUSE (5A)	1	Series	11	
41	23001465	STICKER, ELECTRICITY WARNING	1	Series	11	
42	23002920	PLATE, INDEX (FLASH)	1	Series	11	



<b>Ref #</b>	<b>Part #</b>	<b>Description</b>	<b>Qty</b>	<b>Context</b>	<b>Note</b>	<b>MSRP</b>
43	23002053	LABEL, WARNING VENT OUT	1	Series	11	
44	NLA	STICKER (1A)	1	Series	11	
45	23001055	NUT (M4)	2	Series	11	
46	23001158	WASHER (M6)	1	Series	11	
47	23002778	SCREW (M4 X 12)	1	Series	11	
48	23002921	WASHER, FILL HOSE	6	Series	11	
49	23001113	CONNECTOR HOUSING (4 POLE)	1	Series	11	
50	23002922	FILTER	3	Series	11	
51	23002923	BOARD, TERMINAL	1	Series	11	
52	23002924	T-PART (3/4)	1	Series	11	

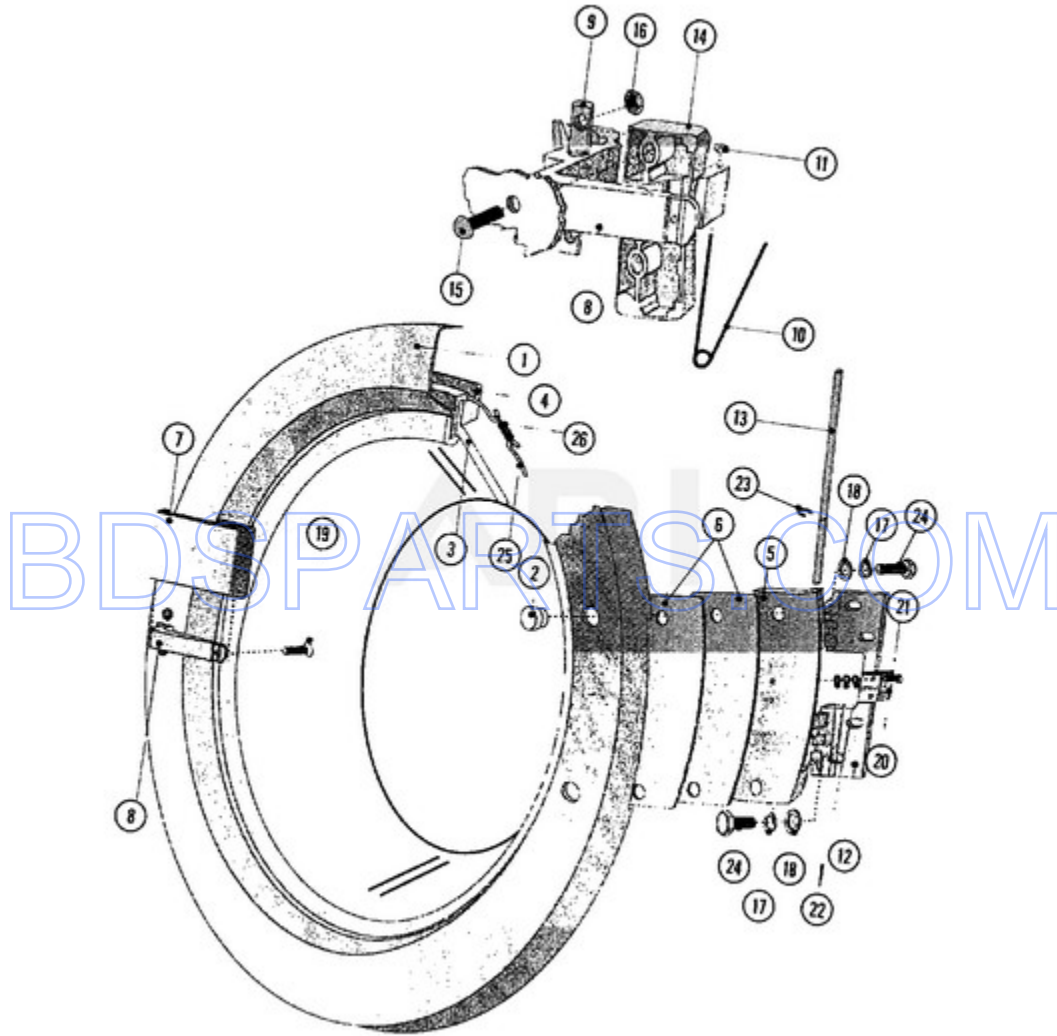
BDSPARTS.COM

MFR35MNATS - 21 - BASKET & OUTER SHELL ASSEMBLY (SERIES11)



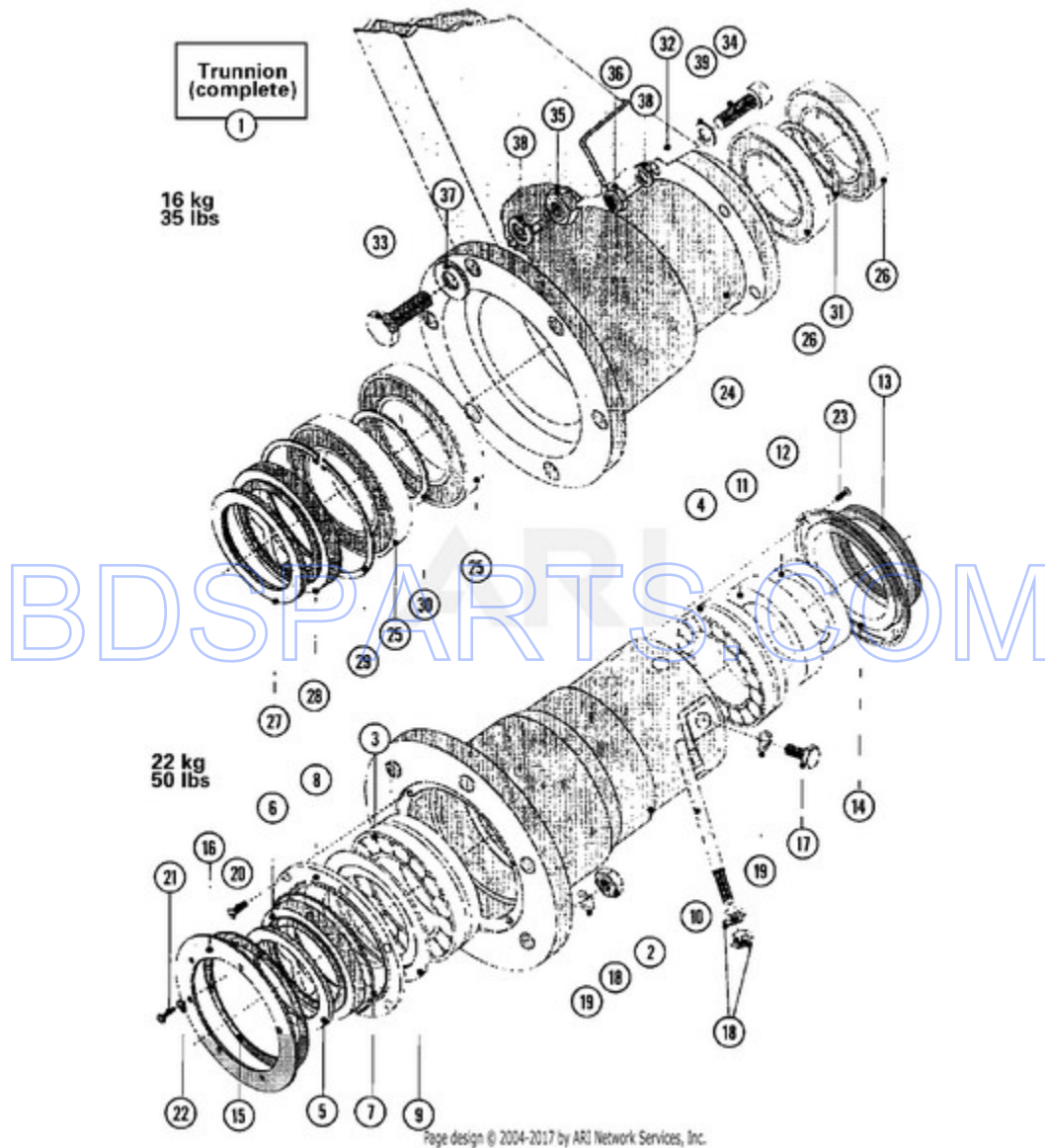
Ref #	Part #	Description	Qty	Context	Note	MSRP
1	NLA	TUB (COMPLETE)	1	Series	11	
2	23003817	DRUM AND SHAFT MFR 35 LU	1	Series	11	
2	23003818	DRUM AND SHAFT MFR 50	-	Series	11	
3	23002934	TUB	1	Series	11	
3	23002971	TUB	-	Series	11	
4	23001193	BACKPLATE (STNLS STEEL)	1	Series	11	
4	23001194	BACKPLATE (STNLS STEEL)	1	Series	11	
4	23002178	PLATE, BASE	-	Series	11	
4	NLA	PLATE, BASE	-	Series	11	
5	23001195	BACKPLATE (IRON)	1	Series	11	
5	23001196	BACKPLATE (IRON)	-	Series	11	
5	23003981	BEARING HOUSING STUD 14MM	-	Series	11	
6	23002935	RING	1	Series	11	
7	23001198	SHIELD	1	Series	11	
8	23001199	GASKET, REAR SHELL (24 HOLES)	1	Series	11	
9	23001200	HINGE, MIRCO SWITCH	1	Series	11	
10	23001594	BLIND, HEATING ELEMENT	3	Series	11	
11	23001592	ADAPTOR	1	Series	11	
12	23002179	WASHER	1	Series	11	
13	23002936	NUT, SENSOR BUSHING	1	Series	11	
14	23002358	WASHER (M8)	24	Series	11	
15	23001607	NUT (M8)	24	Series	11	
16	23001203	WASHER (DIA. 16 X 8.4 X 1.6)	24	Series	11	
17	23002617	SCREW (M4X8)	4	Series	11	
18	23001204	WASHER, FINISHING (DIA. 5)	4	Series	11	
19	23001088	RUBBER TRIM	1	Series	11	
20	23002847	SCREW (M8X45)	24	Series	11	
21	23001089	SCREW (M4 X 16 CK)	2	Series	11	
22	23001055	NUT (M4)	2	Series	11	
23	23001206	BRACKET, MOTOR HARNESS	3	Series	11	

MFR35MNATS - 22 - DOOR (SERIES 11)



Ref #	Part #	Description	Qty	Context	Note	MSRP
1	23001161	RING, DOOR	1	Series	11	
2	23001162	NUT, ORNAMENTAL (STNLS STEEL)	2	Series	11	
3	23001163	GLASS, DOOR	1	Series	11	
4	23001164	GASKET, DOOR GLASS	1	Series	11	
5	23001165	PLATE, HINGE	1	Series	11	
6	23001166	SHIM, HINGE PLATE	3	Series	11	
7	12001189	PANEL KIT, FRONT HANDLE, FRONT & BACK INCLUDED	1	Series	14	
7	23001510	HANDLE, DOOR	1	Series	11	
8	23003634	LEVER, DOOR	1	Series	14	
8	NLA	LEVER, HANDLE	1	Series	11	
9	23001168	SHAFT, LEVER	1	Series	11	
10	23001169	SPRING, HANDLE LEVER	1	Series	11	
11	23001057	SPEEDNUT (M3)	1	Series	11	
12	23001171	BASE, HINGE	1	Series	11	
13	23001172	SHAFT, DOOR HINGE	1	Series	11	
14	23001173	HANDLE, LEVER PLATE	1	Series	11	
15	23002937	SCREW (M6X26)	2	Series	11	
16	23001176	NUT (M6 STAINLESS STEEL)	1	Series	14	
16	23002280	NUT M6	2	Series	11	
17	23002130	WASHER (6)	6	Series	11	
18	23001643	WASHER (M6)	6	Series	11	
19	23001177	SCREW (M4 X 10)	1	Series	14	
19	23001621	SCREW (M4X12) LU	1	Series	11	
20	23001178	MICROSWITCH, ACTIVATING PLATE	1	Series	11	
21	23001781	BOLT (M4X10)	2	Series	11	
22	23001708	WASHER (5.3)	2	Series	11	
23	23001181	RETAINING RING (DIA. 8)	1	Series	11	
24	23002279	BOLT (M6X20)	2	Series	11	
25	23001185	DOORSEAL, TENSION RING	1	Series	11	
26	23001186	DOORSRING, TENSION SPRING	1	Series	11	

MFR35MNATS - 23 - BEARINGS & TRUNNION (SERIES 11)



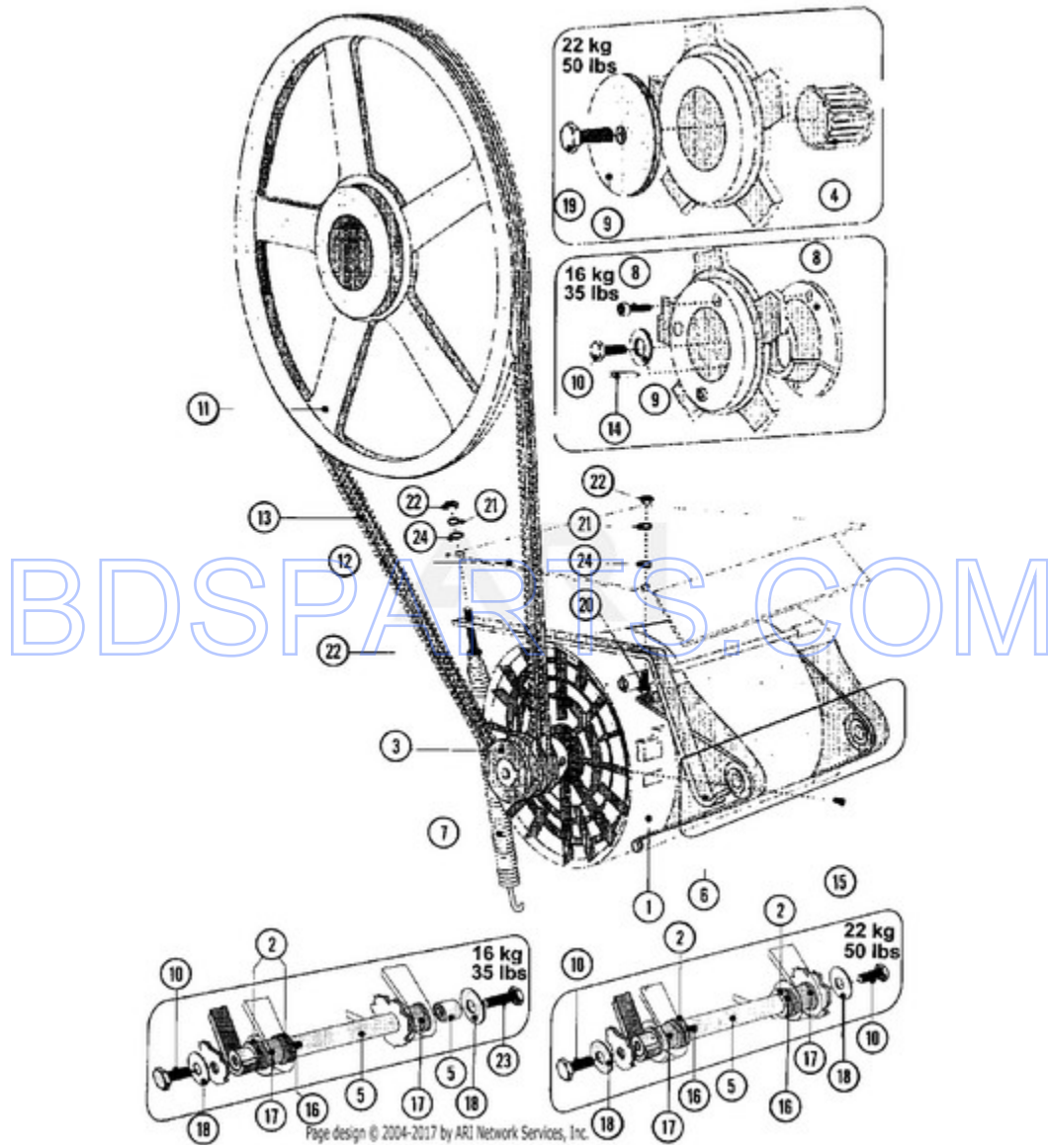
Ref #	Part #	Description	Qty	Context	Note	MSRP
1	23002938	TRUNNION	1	Series	11	
1	23002972	TRUNNION	-	Series	11	
2	23001209	TRUNNION (CASTING ONLY)	-	Series	11	
2	23003981	BEARING HOUSING STUD 14MM	6	Series	11	
3	23001210	FRONT BEARING	-	Series	11	
4	23001211	REAR BEARING	-	Series	11	
5	23001212	SEAL RING	-	Series	11	
6	23001213	WATER SEAL	-	Series	11	
7	23001214	O-RING	-	Series	11	
8	23001215	HOLDER, WATER SEAL	-	Series	11	
9	23001216	SHEILD BEARING	-	Series	11	
10	23002973	ROD, TENSION	-	Series	11	
11	23002974	RING, DISTANCE (STNLS)	-	Series	11	
12	23001219	BUSHING, BRASS	-	Series	11	
13	23001220	SEAL, AXIAL	-	Series	11	
14	23001221	SEAL, AXIAL HOLDER	-	Series	11	
15	23001222	GASKET, RUBBER	-	Series	11	
16	23001223	RING, CLAMP (STNLS STEEL)	-	Series	11	
17	23002975	SCREW (M14X25)	-	Series	11	
18	23002976	NUT (M4)	-	Series	11	
19	23002792	WASHER (14)	-	Series	11	
20	23001227	SCREW (M4 X 10 STNLS STEEL)	-	Series	11	
21	23002353	SCREW (M6X12)	-	Series	11	
22	23001228	RING, SEAL (DIA. 14 X 6.5 X 1)	-	Series	11	
23	23002977	SCREW (M6X10PK)	-	Series	11	
24	23001230	TRUNNION (CASTING ONLY)	1	Series	11	
25	23001231	BEARING (6209 2RS C3)	2	Series	11	
26	23001232	BEARING (REAR)	2	Series	11	
27	23001233	RING, SEAL	1	Series	11	
28	23001234	SEAL, WATER	1	Series	11	
29	23001235	RING, INTERNAL SNAP	1	Series	11	
30	23001236	SPACER RING (FRONT BEARING)	1	Series	11	
31	23001237	SPACER RING (REAR BEARING)	1	Series	11	
32	23002939	SPOKE (COMPLETE)	6	Series	11	
33	23002940	SCREW (M10X35)	6	Series	11	
34	23002941	SCREW (M10X40)	6	Series	11	
35	23001661	NUT M10	6	Series	11	
36	23002356	NUT (M10)	6	Series	11	
37	23001201	WASHER (DIA. 22X11X1 BRASS)	6	Series	11	

<b>Ref #</b>	<b>Part #</b>	<b>Description</b>	<b>Qty</b>	<b>Context Note</b>	<b>MSRP</b>
38	23001400	LOCK WASHER, SPRING	12	Series 11	
39	23002655	WASHER (10/5)	6	Series 11	

BDSPARTS.COM

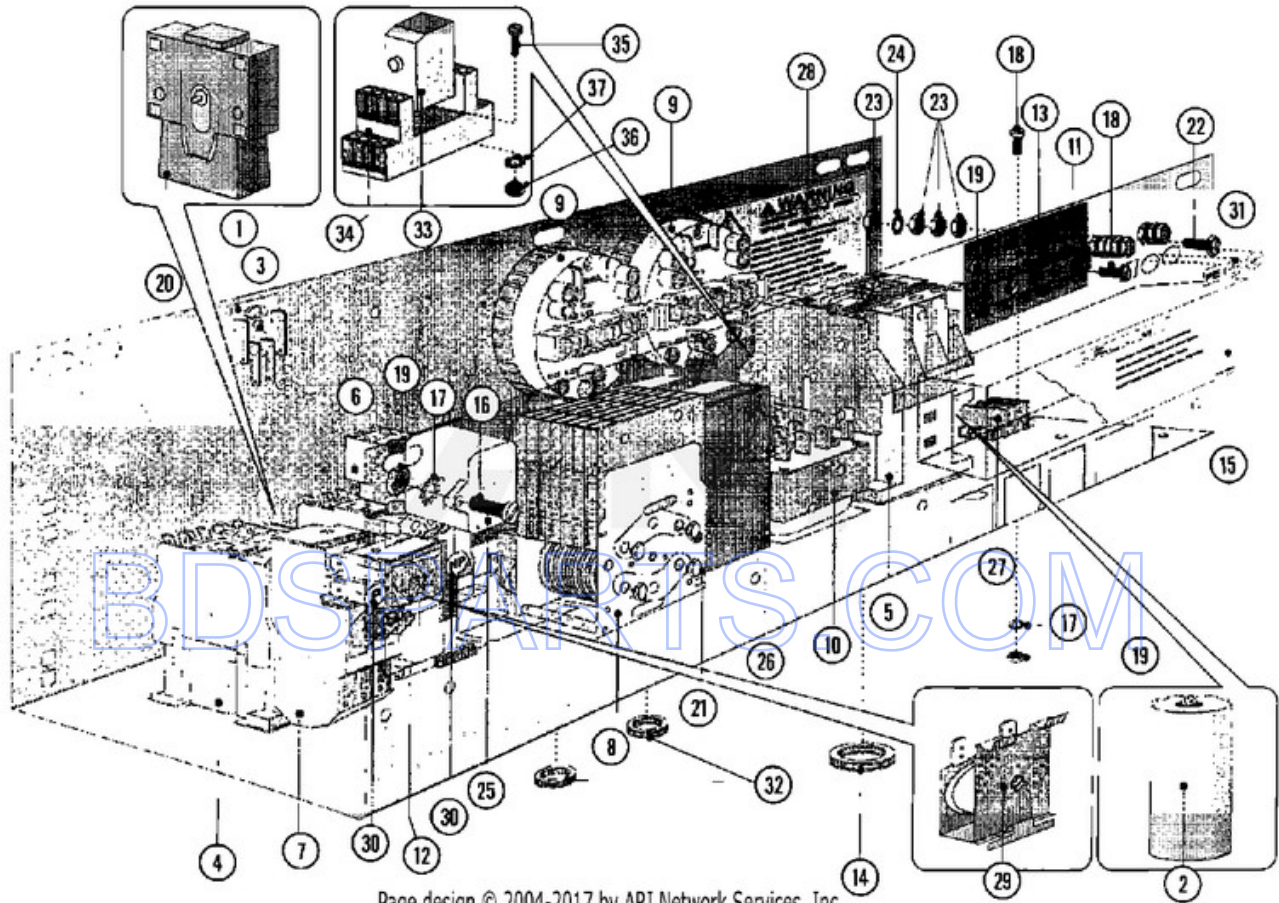


MFR35MNATS - 24 - MOTOR & BASKET PULLEY (SERIES 11)



Ref #	Part #	Description	Qty	Context	Note	MSRP
1	23001269	MOTOR (SINGLE PHASE-240/208V)	1	Series	11	
1	23001270	MOTOR (THREE PHASE-240V/208V)	-	Series	11	
1	23001271	MOTOR (THREE PHASE 240/208V)	-	Series	11	
2	23002925	SHAFT, SLIDING RING MOTOR	2	Series	11	
3	23001273	V-PULLEY (DIA. 53 X PZ 60HZ)	1	Series	11	
4	23001274	RING, TOLERANCE	-	Series	11	
5	23002926	SHAFT, MOTOR	1	Series	11	
5	23002927	SHAFT, EXTENSION MOTOR (MONO)	1	Series	11	
5	23002969	SHAFT, MOTOR	-	Series	11	
6	23001278	BELT TENSIONER (SINGLE PHASE)	1	Series	11	
7	23001279	BELT, TENSION SPRING	1	Series	11	
8	23001280	BUSHING, TAPERED (W/KEY SLOT)	1	Series	11	
9	23001281	WASHER (DIA. 90 X 10)	-	Series	11	
9	23001282	WASHER (DIA. 37 X 13 X 3)	1	Series	11	
10	23002661	SCREW (M12 X 35)	3	Series	11	
11	23001284	BASKET PULLEY (DIA. 450)	1	Series	11	
11	23001285	BASKET PULLEY (DIA. 450)	-	Series	11	
12	23002928	MOTOR, PROTECTION SHIELD	1	Series	11	
13	23001287	V-BELT (XPZ X 1950)	3	Series	11	
14	23001288	BASKET PULLEY KEY (10 X 8X 60)	1	Series	11	
15	23002929	SCREW, SOCKET SET (M8X10)	2	Series	11	
16	23002930	SCREW, SOCKET SET (M6X6)	2	Series	11	
17	23001291	BUSHING, RUBBER MOTOR MOUNT	2	Series	11	
18	23002657	WASHER (13)	2	Series	11	
19	23002931	SCREW (M14X50)	-	Series	11	
20	23002475	BOLT (M8X20)	1	Series	11	
21	23002932	LOCKWASHER, SPRING	2	Series	11	
22	23002399	NUT(M4)	3	Series	11	
23	23002846	SCREW (M12X70)	1	Series	11	
24	23002653	WASHER (8/6)	2	Series	11	

MFR35MNATS - 25 - ELECTRICAL COMPONENTS (SERIES 11)



Ref #	Part #	Description	Qty	Context Note	MSRP
1	23001094	BRIDGE, RECTIFIER	2	Series 11	
2	23001096	CAPACITOR (60MF)	3	Series 11	
2	23001098	CAPACITOR (130MF)	2	Series 11	
3	23001099	PC BOARD SOCKET	2	Series 11	
4	23001100	CONTACTOR (LC1-D0901 M7)	1	Series 11	
4	23001101	CONTACTOR (LC1-D1201 M7)	2	Series 11	
5	23001102	CONTACTOR (LC1-D1801 M7)	1	Series 11	
5	23001103	CONTACTOR (LC1-D3201 M7)	1	Series 11	
5	23001340	CONTACTOR (LC1-D4011)	1	Series 11	
6	23001104	AUXILIARY CONTACT (1NO-1NC)	1	Series 11	
7	23001105	RELAY, THERMAL OVERLOAD (9-13A)	1	Series 11	
7	23001106	RELAY, THERMAL OVERLOAD (4-6A)	1	Series 11	
7	23001108	RELAY, THERMAL OVERLOAD (7-10A)	1	Series 11	
7	23002101	RELAY, OVERLOAD (LR2-D1312)	1	Series 11	
8	23001110	TIMER, REVERSING (PR1840)	1	Series 11	
9	23001111	SWITCH, WATER LEVEL	1	Series 11	
9	23001513	SWITCH, WATER LEVEL	1	Series 20	
9	23002176	SWITCH, WATER LEVEL	1	Series 11	
10	23002460	THERMOSTAT (4 TEMP)	1	Series 11	
11	23002154	BOARD, TERMINAL (6 POLES)	1	Series 11	
12	23001114	ROCKER SWITCH, PREWASH/NO PREW	1	Series 11	
13	23001115	INSULATION PAPER	1	Series 11	
14	23001117	RING, RUBBER (DIA. 25)	1	Series 11	
15	23001118	STICKER, LIQUID SOAP	1	Series 11	
16	23002423	SCREW (M4X10)	4	Series 11	
17	23002111	WASHER (4)	4	Series 11	
18	23002398	SCREW (M4X16)	4	Series 11	
19	23002399	NUT(M4)	6	Series 11	
20	23001119	MECHANICAL INTERLOCK, CONTACTO	1	Series 11	
21	23002952	SCREW (M4X4)	4	Series 11	
22	23002806	SCREW (M6X25)	3	Series 11	
23	23001515	NUT (M6)	9	Series 11	
24	23001734	WASHER (M6)	3	Series 11	
25	NLA	MEMBER, RC	2	Series 11	
26	23002348	TRANSFORMER, CONTROL CIRCUIT	1	Series 11	
27	23002959	CONNECTOR	1	Series 11	
28	23001465	STICKER, ELECTRICITY WARNING	1	Series 11	
29	23002955	BUZZER	1	Series 11	
30	NLA	STICKER	1	Series 11	
31	NLA	LABEL, EARTH	2	Series 11	
32	23001138	BUSHING, CABLE PASSAGE	2	Series 11	
33	23002956	SCHRACH, RELAY	1	Series 11	
34	23002957	BASE, RELAY	1	Series 11	
35	23002906	SCREW (M3X25)	2	Series 11	
36	23002958	NUT M3	2	Series 11	
37	23002865	LOCK WASHER (M3)	2	Series 11	