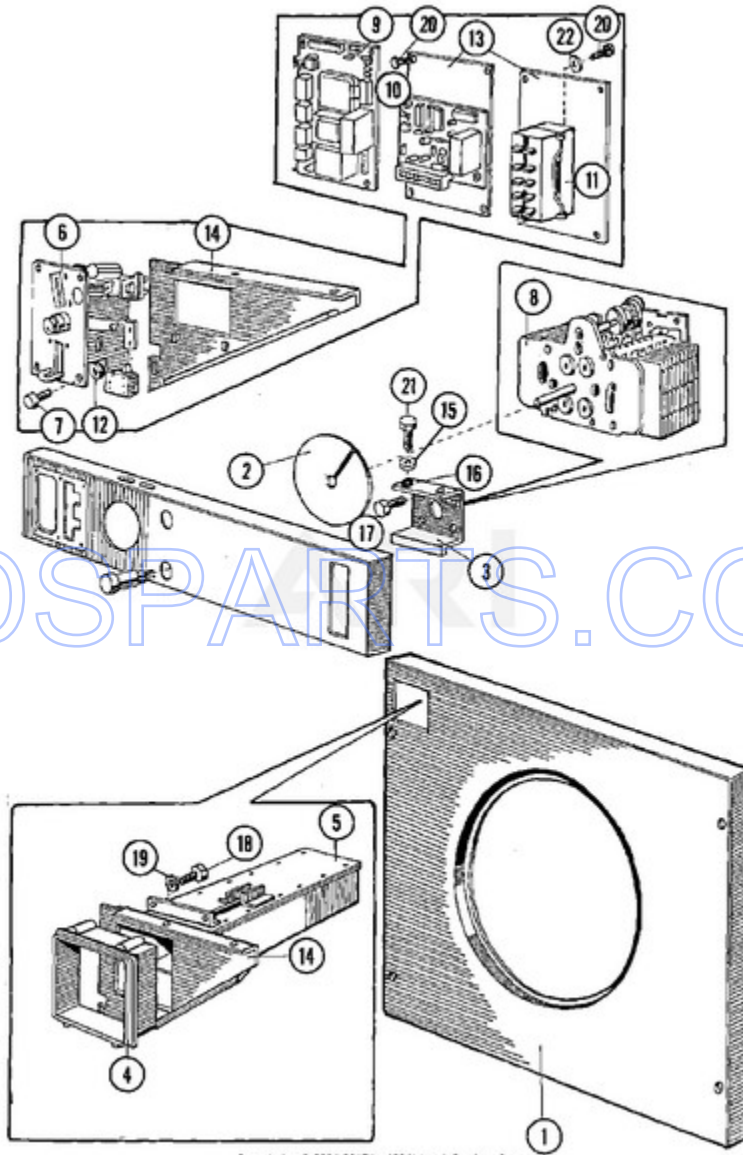


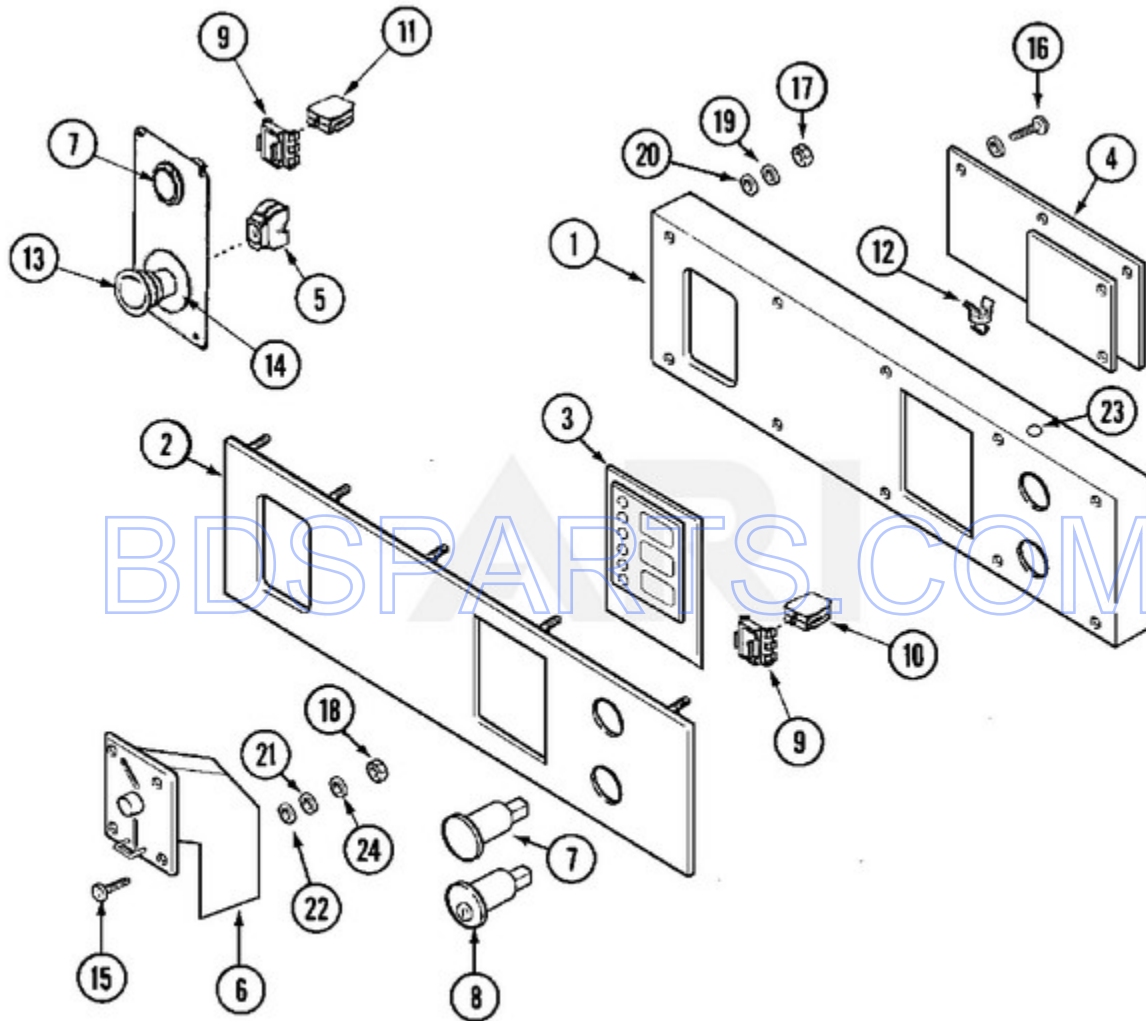
MFR35PCAVS - 01 - TIMER & COIN ASSEMBLY



BDSPARTS.COM

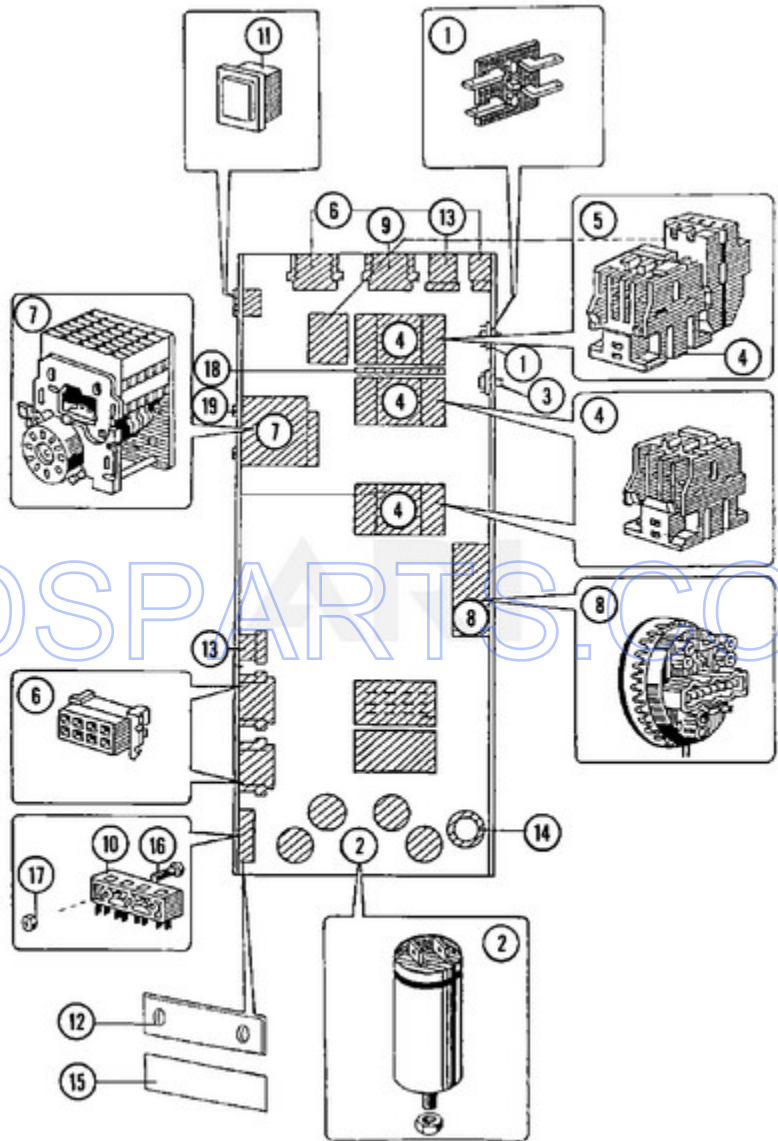
Ref #	Part #	Description	Qty	Context	Note	MSRP
1	23001320	PANEL, FRONT (STNLS STEEL)	1	Series	10	
2	23001060	INDICATOR DISC, TIMER	-	Series	10	
3	23001061	TIMER, SUPPORT	-	Series	10	
4	23001062	COLLAR, COIN VAULT	1	Series	10	
5	23001349	VAULT, COIN	1	Series	10	
6	23001063	METER, COIN (25 CENTS-240V)	1	Series	10	
6	23003445	COIL (220V)	1	Series	10	
6	23003987	COIN COUNTER HARN-MC	1			
7	23001064	SCREW, ORNAMENTAL (M3 X 10)	1	Series	10	
8	23001065	TIMER (PR 6023 230V)	-	Series	10	
8	23002204	MOTOR, TIMER (230V-LARGE)	-	Series	10	
9	23001066	COUNTER, COIN (W/LED DISPLAY)	1	Series	10	
9	23001693	MEMORY	1	Series	10	
9	23003987	COIN COUNTER HARN-MC	1			
10	W10124350	NOT REQUIRED PART OR SEE NOTE	1	Series	10	
11	23001068	RELAY, START	-	Series	10	
12	23001053	NUT (M3)	1	Series	10	
13	NLA	MOUNTING PLATE, START RELAY	-	Series	10	
14	23001502	SUPPORT, COIN VAULT	1	Series	10	
15	23001028	LOCKWASHER (EXTERNAL TEETH M6)	-	Series	10	
16	23001027	WASHER (DIA. 12 X 6.5 X 1.6)	-	Series	10	
17	23001069	BOLT (M4X4)	-	Series	10	
18	23001070	SCREW (M4X10)	1	Series	10	
19	23001013	LOCKWASHER (EXTERNAL TEETH M4)	1	Series	10	
20	23001052	SCREW (M3 X 6 CROSS RECESSED)	-	Series	10	
21	23001026	BOLT (M6 X 16)	-	Series	10	
22	23001054	LOCKWASHER	-	Series	10	
23	23001038	CONVERSION KIT (MC TO MN)	-	Series	10	
23	23002195	PC-PN CONVERSION KIT	1	Series	10	
23	23002333	PC TO PN CONVERSION (CSA)	1	Series	10	
23	23002334	MC TO MN CONVERS.(CSA)	-	Series	10	

MFR35PCAVS - 02 - CONTROL PANEL (PC/PN)



Ref #	Part #	Description	Qty	Context	Note	MSRP
1	23001339	NUT, CAGE	2	Series	10	
1	NLA	PANEL, CONTROL	1	Series	10	
1	NLA	BOLT (M6X16)	2	Series	10	
2	NLA	FACIA, CONTROL PANEL (PC)	1	Series	10	
3	23001526	PLEXI, MICROPROCESSOR	1	Series	10	
4	23001525	MICROPROCESSOR	1	Series	10	
4	23003741	ALP 283A V1.07 Chip	1	Series	10	
5	23002331	CONTACTOR, CENTRAL STOP	-	Series	10	
6	23001063	METER, COIN (25 CENTS-240V)	1	Series	10	
7	23001537	BUTTON, PUSH	1	Series	10	
8	23001538	BLOCK, KEY	1	Series	10	
9	23001540	ADAPTER, CONTACT BLOCK	2	Series	10	
10	23001541	BLOCK, CONTACT (ON)	1	Series	10	
11	23002873	BLOCK, CONTACT (OFF)	-	Series	10	
12	23001542	HOLDER	3	Series	10	
13	23002332	KNOB, CENTRAL STOP	-	Series	10	
14	23002330	LABEL, CENTRAL STOP	-	Series	10	
15	23001064	ORNAMENTAL SCREW (M3 X 10)	4	Series	10	
16	23001544	BOLT (M3X10)	1	Series	10	
16	23002174	WASHER (3.2)	1	Series	10	
17	23001055	NUT (M4)	10	Series	10	
18	23001053	NUT (M3)	4	Series	10	
19	23001013	LOCKWASHER (EXTERNAL TEETH M4)	10	Series	10	
20	23002111	WASHER (4)	10	Series	10	
21	23002174	WASHER (3.2)	4	Series	10	
22	23001610	WASHER (4.3)	1	Series	10	
23	NLA	LABEL, EARTH	1	Series	10	
24	NLA	LOCKWASHER (M3)	4	Series	10	

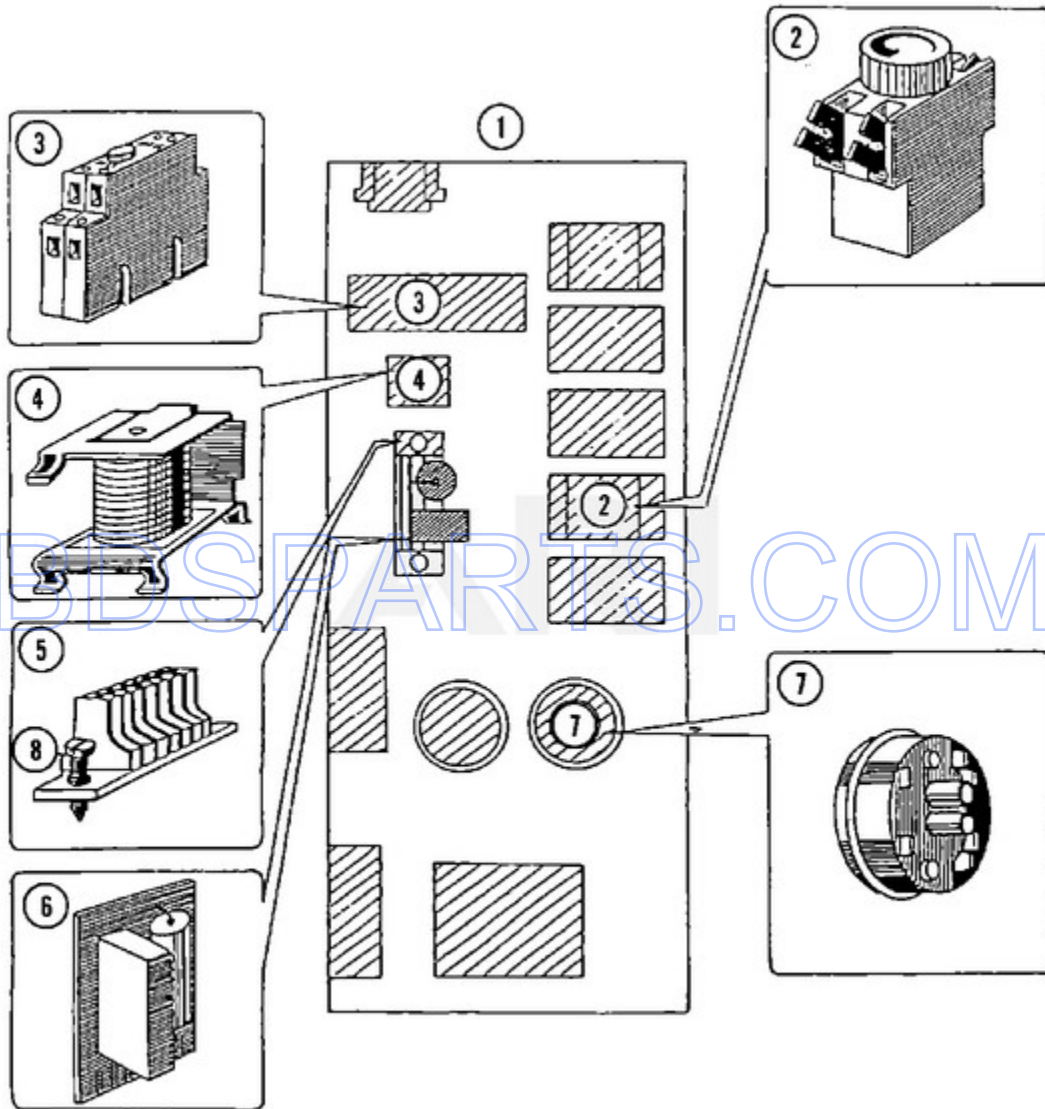
MFR35PCAVS - 03 - MAIN CONTROLS (MC)



BDSPARTS.COM

Ref #	Part #	Description	Qty	Context	Note	MSRP
1	23001094	BRIDGE, RECTIFIER	1	Series	10	
2	23001096	CAPACITOR (60MF)	1	Series	10	
2	23001098	CAPACITOR (130MF)	1	Series	10	
3	23001099	SOCKET, PC BOARD	1	Series	10	
4	23001100	CONTACTOR (LC1-D0901 M7)	1	Series	10	
4	23001101	CONTACTOR (LC1-D1201 M7)	1	Series	10	
5	23001107	RELAY, THERMAL OVERLOAD(12-18A	1	Series	10	
5	23001108	RELAY, THERMAL OVERLOAD (7-10A	-	Series	10	
6	23001109	HOUSING, CONNECTOR (8 POLE)	-	Series	10	
7	23001110	TIMER, REVERSING (PR1840)	-	Series	10	
8	23001111	SWITCH, WATER LEVEL	1	Series	10	
8	23002176	SWITCH, WATER LEVEL	-	Series	10	
9	23001112	HOUSING, CONNECTOR (6 POLE)	1	Series	10	
10	23001113	HOUSING, CONNECTOR (6 POLE)	1	Series	10	
11	23001114	SWITCH, ROCKER (PREWASH)	1	Series	10	
12	23001115	PAPER, INSULATION	1	Series	10	
13	23001116	HOUSING, CONNECTOR (4 POLE)	1	Series	10	
14	23001117	RING, RUBBER (DIA. 25)	1	Series	10	
15	23001118	STICKER, LIQUID SOAP	1	Series	10	
16	23001089	SCREW (M4 X 16 CK)	1	Series	10	
17	23001055	NUT (M4)	1	Series	10	
18	23001119	MECHANICAL INTERLOCK, CONTACTO	1	Series	10	
19	23001069	BOLT (M4X4)	1	Series	10	
20	NLA	SCREW (M6 X 25)	1	Series	10	
21	23001312	NUT (M6)	1	Series	10	
22	23001028	LOCK WASHER (M6)	1	Series	10	
23	23001518	SERIES 15 - NO LONGER NEEDED				
23	NLA	NET FILTER	1	Series	10	
24	23001465	STICKER, ELECTRICITY WARNING	1	Series	10	
25	NLA	STICKER	1	Series	10	
26	NLA	LABEL, EARTH	1	Series	10	

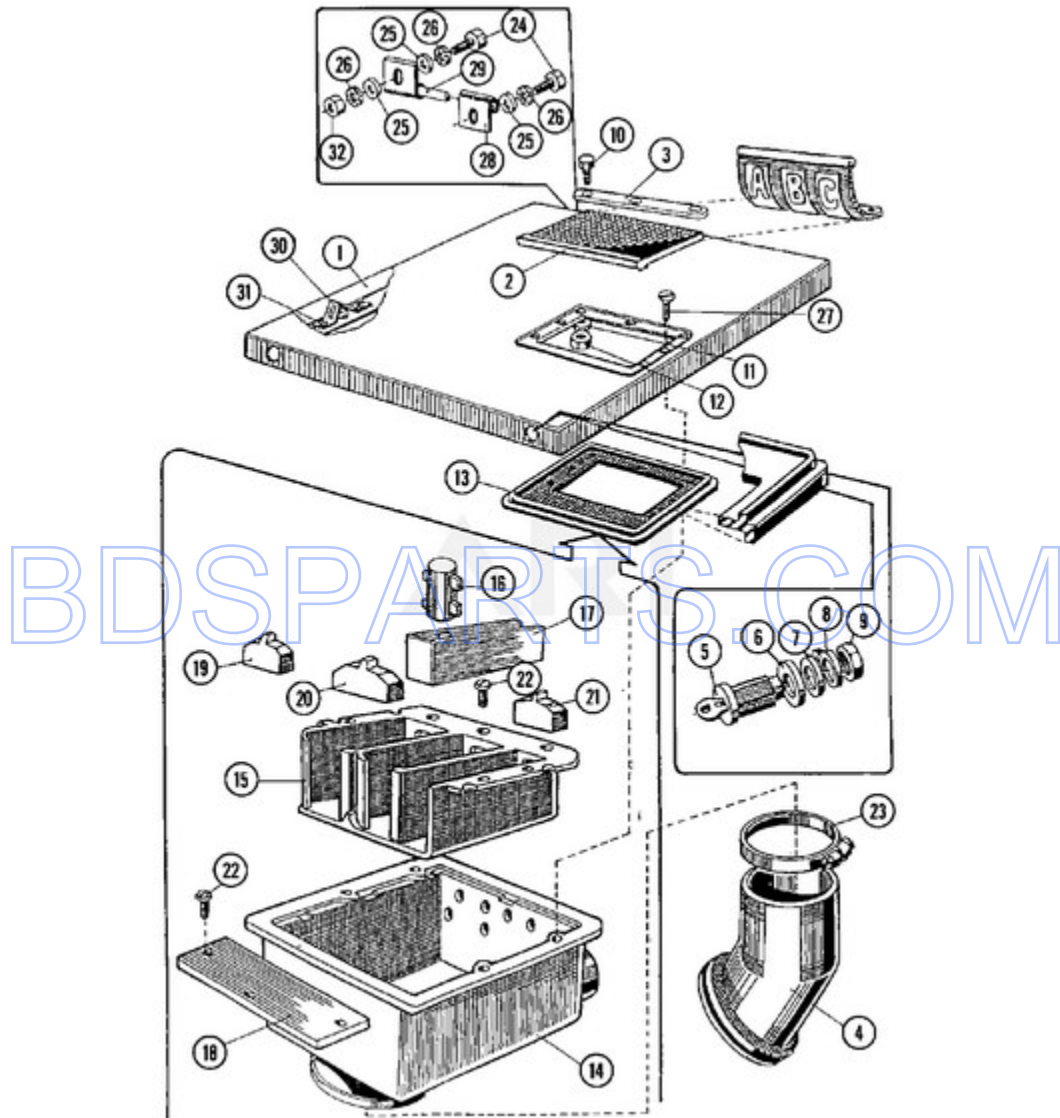
MFR35PCAVS - 04 - MAIN CONTROLS (PC)



Ref #	Part #	Description	Qty	Context	Note	MSRP
1	NLA	TRAY, ELECTRICAL COMPONENTS	1	Series	10	
2	23001121	UNIT, TIME DELAY	1	Series	10	
3	23001122	UNIT, TIME DELAY	1	Series	10	
4	NLA	BUZZER	1	Series	10	
5	NLA	CONNECTOR, DOOR LOCK (PC CORD)	1	Series	10	
6	NLA	CARD, PROTECTION CIRCUIT	1	Series	10	
7	23001127	SWITCH, SAFETY LEVEL	1	Series	10	
7	NLA	SWITCH, WATER LEVEL	1	Series	10	
8	23001128	SCREW (SLOTTED PAN HD SLF TAP)	1	Series	10	

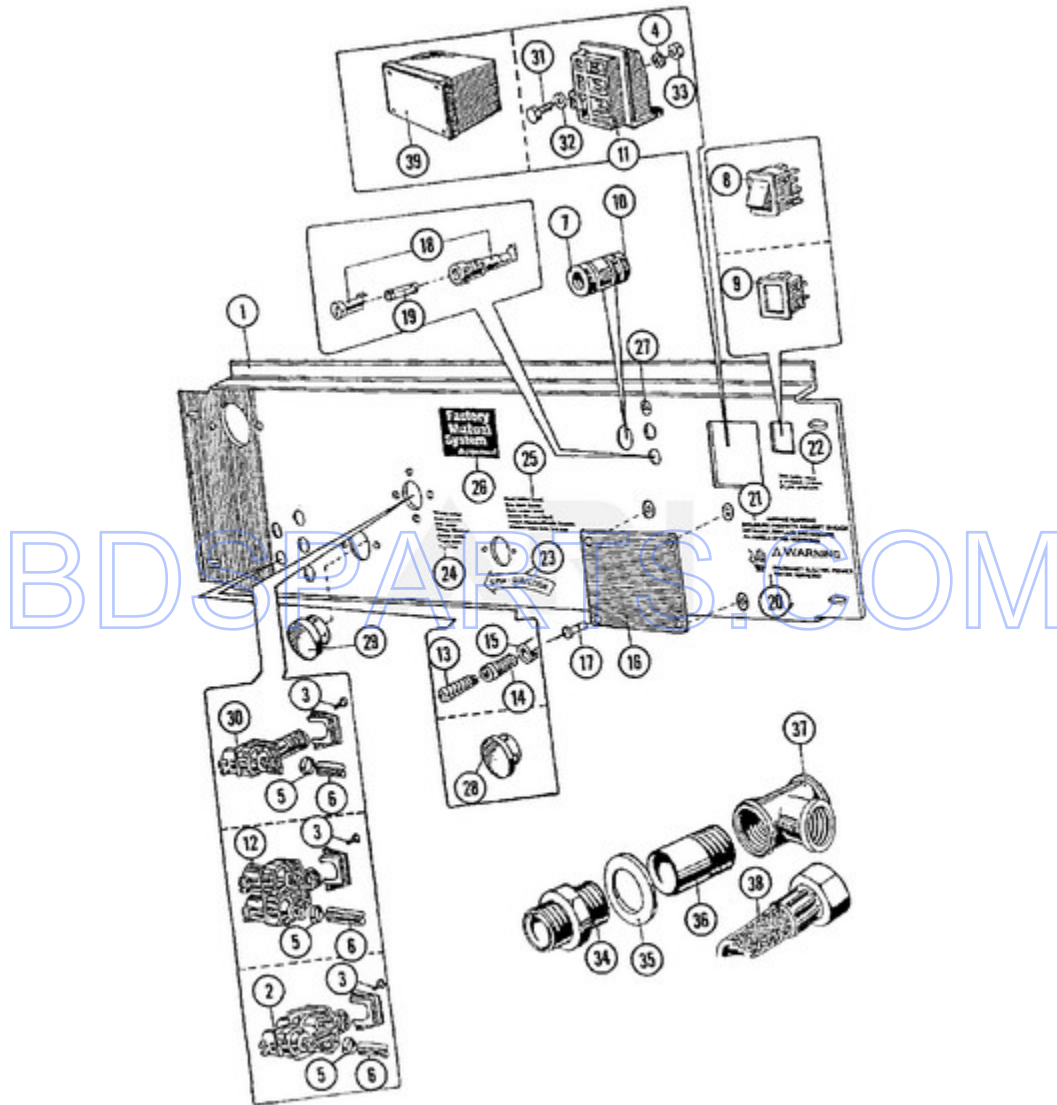
BDSPARTS.COM

MFR35PCAVS - 05 - SOAP BOX & TOP COVER ASSEMBLY



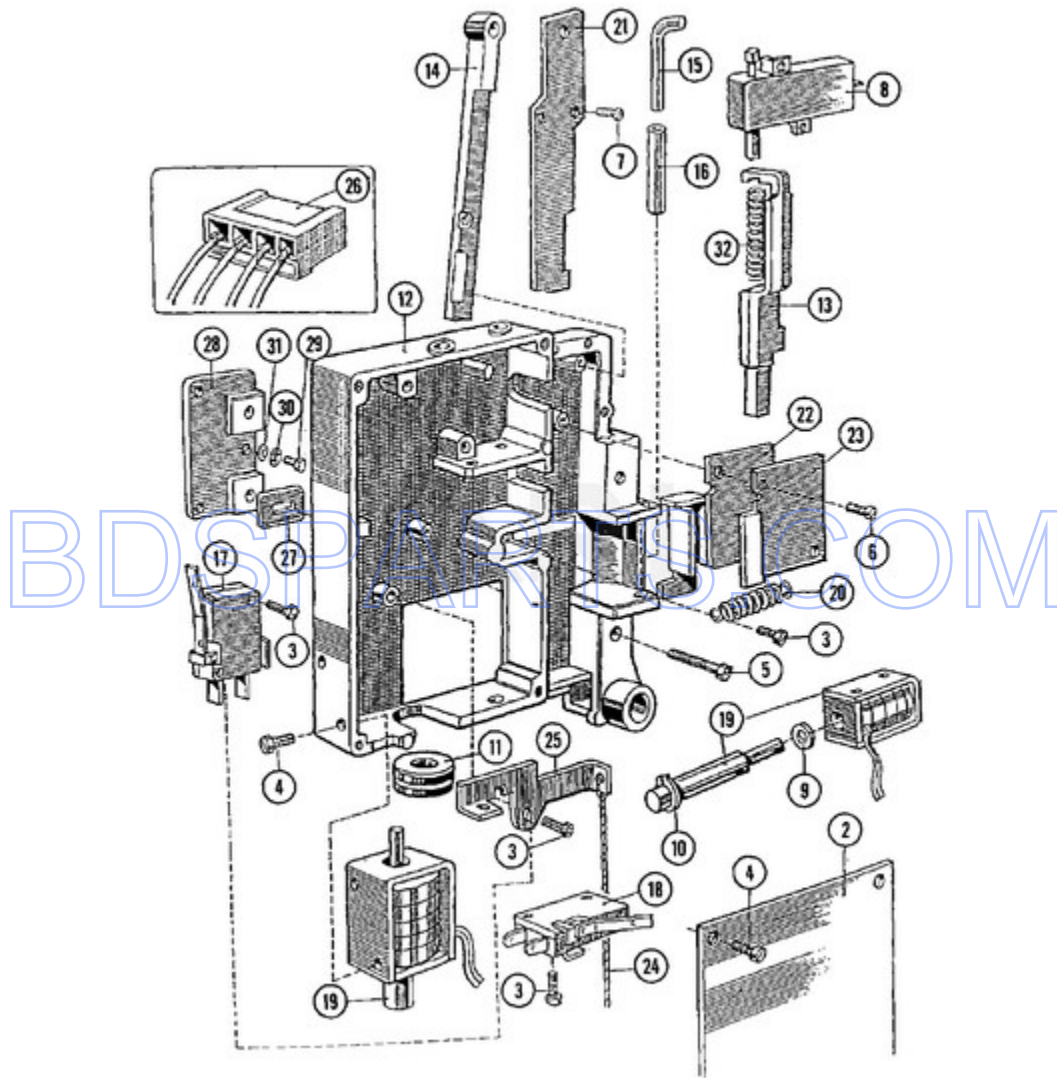
Ref #	Part #	Description	Qty	Note
1	23001001	COVER, TOP (STNLS STEEL)	1	Series 10
1	23001002	COVER, TOP (STNLS STEEL)	-	Series 10
2	23001003	RUBBER COVER, SOAP BOX	1	Series 10
3	23001004	CLAMP, SOAP BOX COVER	1	Series 10
4	23001005	RUBBER HOSE, SOAP BOX	1	Series 10
5	23001006	LOCK, TOP PANEL	1	Series 10
6	23001007	WASHER, FIBER	1	Series 10
7	23001008	NUT, LOCK (LARGE)	1	Series 10
8	23001009	HOOK, LOCK (SHORT)	1	Series 10
9	23001011	NUT	1	Series 10
10	23001012	SCREW (M4 X 12 STNLS STEEL)	1	Series 10
11	23001013	SPRING, LOCKWASHER (M4)	1	Series 10
12	23001014	NUT M4	1	Series 10
13	23001015	RUBBER SEAL, SOAP BOX	1	Series 10
14	23001016	HOUSING, SOAP BOX	1	Series 10
15	23001017	INSERT, SOAP BOX	1	Series 10
16	23001018	SIPHON	1	Series 10
17	23001019	TRAY	1	Series 10
18	23001020	COVER, PLATE	1	Series 10
19	23001021	DRAWER, PREWASH	1	Series 10
19	23002318	SCREW, PAN HEAD (SLOTTED)	1	Series 10
20	23001022	DRAWER, MAIN WASH	1	Series 10
21	23001023	DRAWER, LAST RINSE	1	Series 10
22	23001024	SCREW (SLOTTED PAN HEAD TAPPING	1	Series 10
23	23001025	CLAMP, HOSE (DIA 90/110)	1	Series 10
24	23001307	BOLT (M6 X 20)	1	Series 10
25	23001027	WASHER (DIA. 12 X 6.5 X 1.6)	1	Series 10
26	23001028	LOCKWASHER (EXTERNAL TEETH M6)	1	Series 10
27	23001029	SCREW, FLAT HD (STLS M5X15MM) (M5 X 15 PK STAINLESS STEEL)	1	Series 10
28	23001030	HINGE, TOP COVER	1	Series 10
29	23001031	SHAFT, HINGE (10 X 56 BRASS)	1	Series 10
30	23001032	CLAMP, SRV	1	Series 10
31	23001033	RIVETS, BLIND (DIA. 3.2 X 8)LU	1	Series 10
32	23001034	NUT (M6)	1	Series 10
33	23001550	LABEL, EARTH	1	Series 10

MFR35PCAVS - 06 - WATER VALVE & REAR PANEL



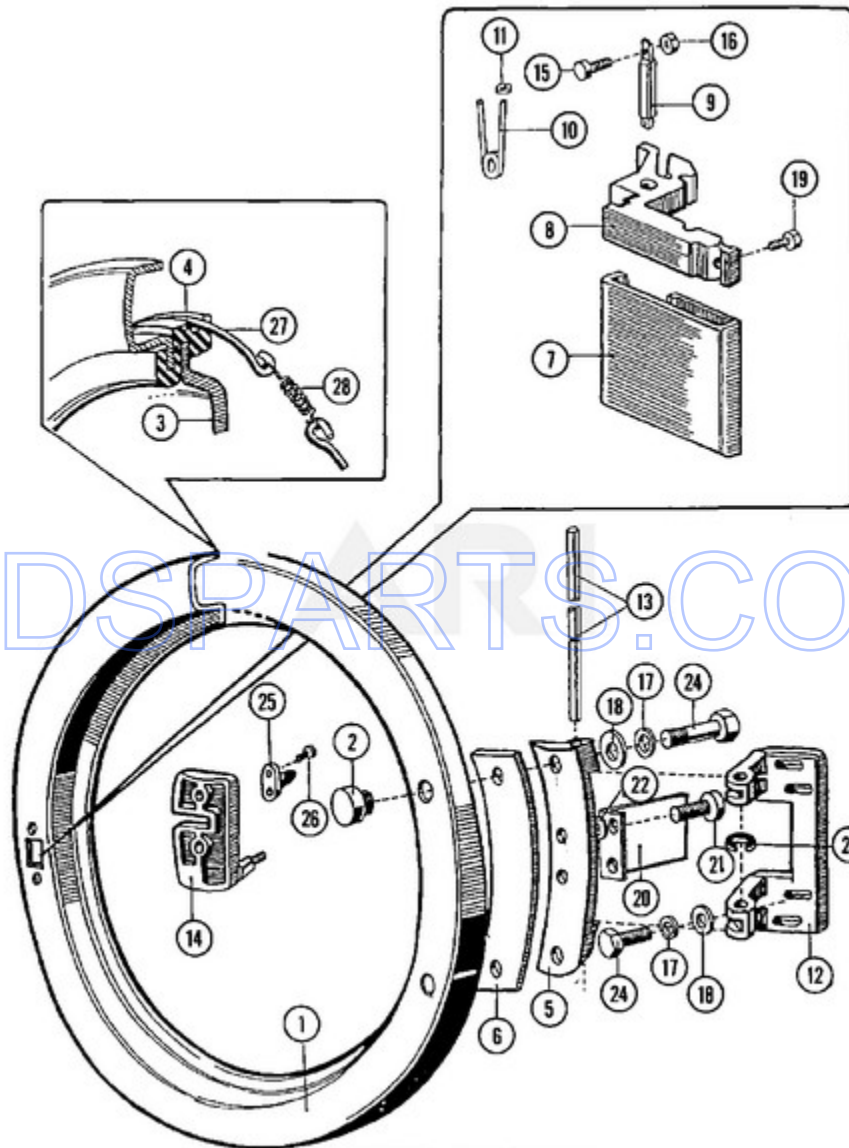
Ref #	Part #	Description	Qty	Context	Note	MSRP
1	23001339	NUT, CAGE	1	Series	10	
1	23001503	PANEL, VALVE	1	Series	10	
2	23001361	BOLT M4X10	1	Series	10	
3	23001013	LOCKWASHER (EXTERNAL TEETH M4)	1	Series	10	
4	23001506	CLAMP, HOSE	1	Series	10	
5	23001507	WATERHOSE (GREEN)	1	Series	10	
6	23001450	SWIVEL (PG9)	1	Series	10	
7	23001529	BUTTON (RAPID ADVANCE)	1	Series	10	
8	23001452	PLUG (WHT)	1	Series	10	
9	23001453	NUT, SWIVEL (PG9)	1	Series	10	
10	23001454	BLOCK, TERMINAL CONNECTION	1	Series	10	
11	23001455	VALVE, TWO WAY (220V 50/60HZ)	1	Series	10	
12	23001460	PLATE, IDENTIFICATION	1	Series	10	
13	23001461	RIVETS, BLIND	1	Series	10	
14	23001462	HOLDER, FUSE	1	Series	10	
15	23001508	FUSE (1A)	1	Series	10	
16	23001465	STICKER, ELECTRICITY WARNING	1	Series	10	
17	23001468	STICKER, SPIN DIRECTION	1	Series	10	
18	23001469	STICKER, HOT WATER	1	Series	10	
19	23001471	STICKER, COLD SOFT WATER	1	Series	10	
20	23001509	STICKER, PIPE THREAD	1	Series	10	
21	NLA	STICKER (1A)	1	Series	10	
22	NLA	PLUG, LIQUID SOAP OPENING	1	Series	10	
23	23001477	ADAPTER (3/4`` PIPE TO 3/4`` HOS	1	Series	10	
24	NLA	SCREW (M 4 X 16 BRASS)	1	Series	10	
25	NLA	WASHER (DIA. 9 X 4.3 X 0.8)	1	Series	10	
26	23001481	NUT (M4 BRASS)	1	Series	10	
27	23001482	NIPPLE (3/4`` PIPE THREAD)	1	Series	10	
28	23001483	WASHER (DIA. 40 X 6.5 X 3)	1	Series	10	
29	23001484	EXTENSION, BRASS PIPE THREAD	1	Series	10	
30	23001485	TEE, 3/4`` PIPE THREAD (BRASS)	1	Series	10	
31	23001523	HOSE, CONNECTION	1	Series	10	

MFR35PCAVS - 07 - DOOR LOCK ASSEMBLY



Ref #	Part #	Description	Qty	Context	Note	MSRP
1	23001129	DOORLOCK (COMPLETE-220V 50/60)	1	Series	10	
2	23001130	PLATE, COVER (STNLS STEEL)	1	Series	10	
3	23001131	SCREW (M3 X 14 CROSS RECESSED)	1	Series	10	
4	23001132	SCREW (M3 X 4 CROSS RECESSED)	1	Series	10	
5	23001133	SCREW (M5 X 25 STNLS STEEL)	1	Series	10	
6	23001070	SCREW (M4X10)	1	Series	10	
7	23001134	BOLT (M3 X 6)	1	Series	10	
8	23001135	BIMETAL, ACTUATOR (230V)	1	Series	10	
9	23001136	WASHER (DIA. 5.1 X 3.3 X 0.1)	1	Series	10	
10	23001137	RING, RETAINING (G10)	1	Series	10	
11	23001138	BUSHING, CABLE PASSAGE	1	Series	10	
12	23001139	HOUSING, DOOR LOCK	1	Series	10	
13	23001140	BAR, LOCKING	1	Series	10	
14	23001141	BAR, HANDLE LATCH	1	Series	10	
15	23001142	RETAINER, LOCK TUBE (DIA.4X45)	1	Series	10	
16	23001143	LOCK TUBE (DIA. 4X23.5 STNLS)	1	Series	10	
17	23001144	MICROSWITCH, SHORT LEVER	1	Series	10	
18	23001145	MICROSWITCH, LONG LEVER	1	Series	10	
19	23001146	COIL (240V)	1	Series	10	
19	23001147	COIL (120V)	1	Series	10	
20	23001148	COIL SPRING, HANDLE LATCH BAR	1	Series	10	
21	23001149	LEAF SPRING, LATCH BAR	1	Series	10	
22	23001152	CORD, EMERGENCY OPENING	1	Series	10	
23	23001153	LEVER, EMERGENCY OPENING	1	Series	10	
24	23001154	WIRING HARNESS, DOORLOCK	1	Series	10	
25	23001155	SHIM	1	Series	10	
26	23001156	SPACER, LOCK	1	Series	10	
27	23001157	BOLT (M6 X 12 STNLS STEEL)	1	Series	10	
28	23001158	LOCKWASHER (M6 EXTERNAL TEETH)	1	Series	10	
29	23001159	WASHER (DIA. 14X8.6X1 STNLS)LU	1	Series	10	

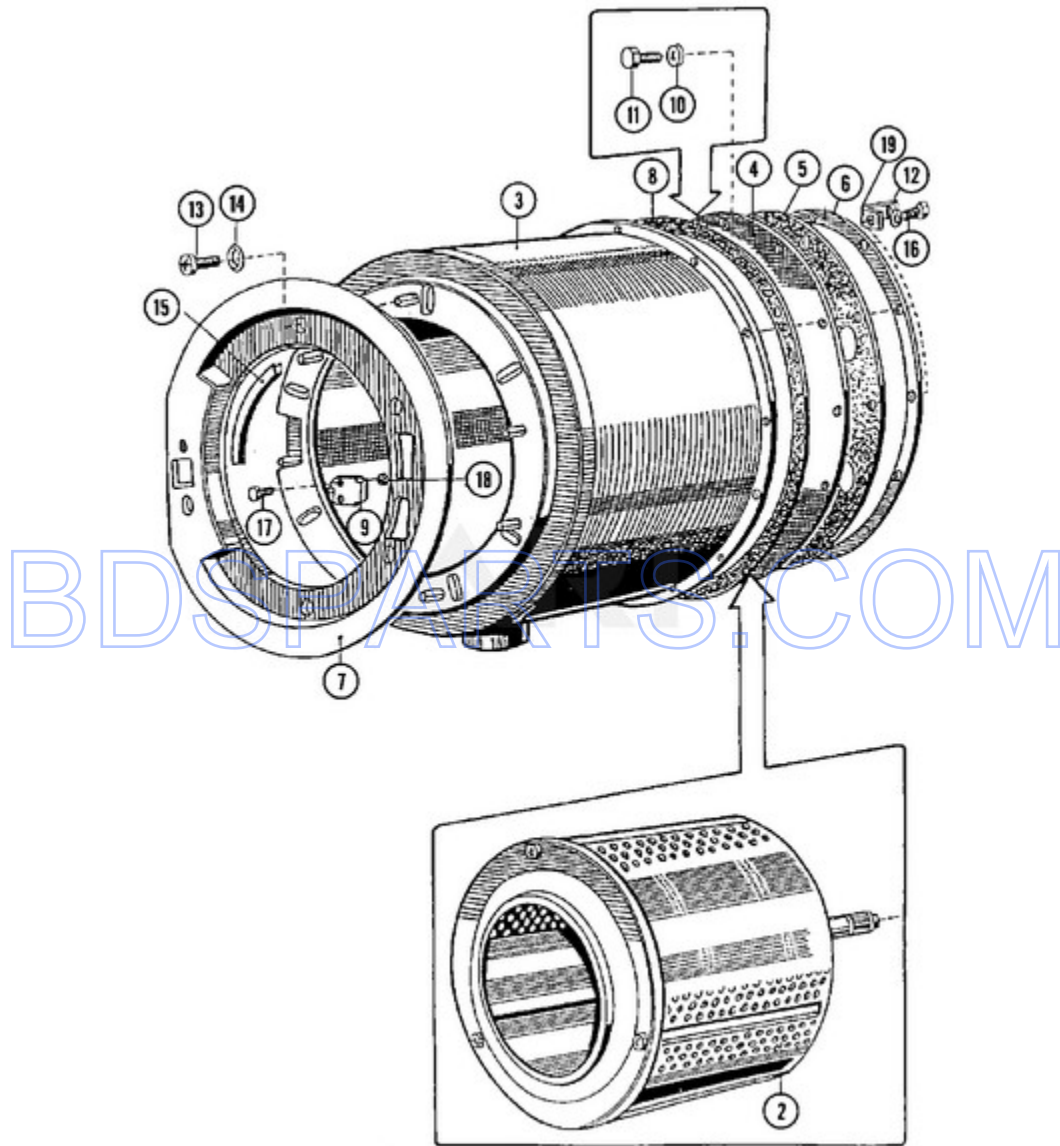
MFR35PCAVS - 08 - DOOR



BDS PARTS.COM

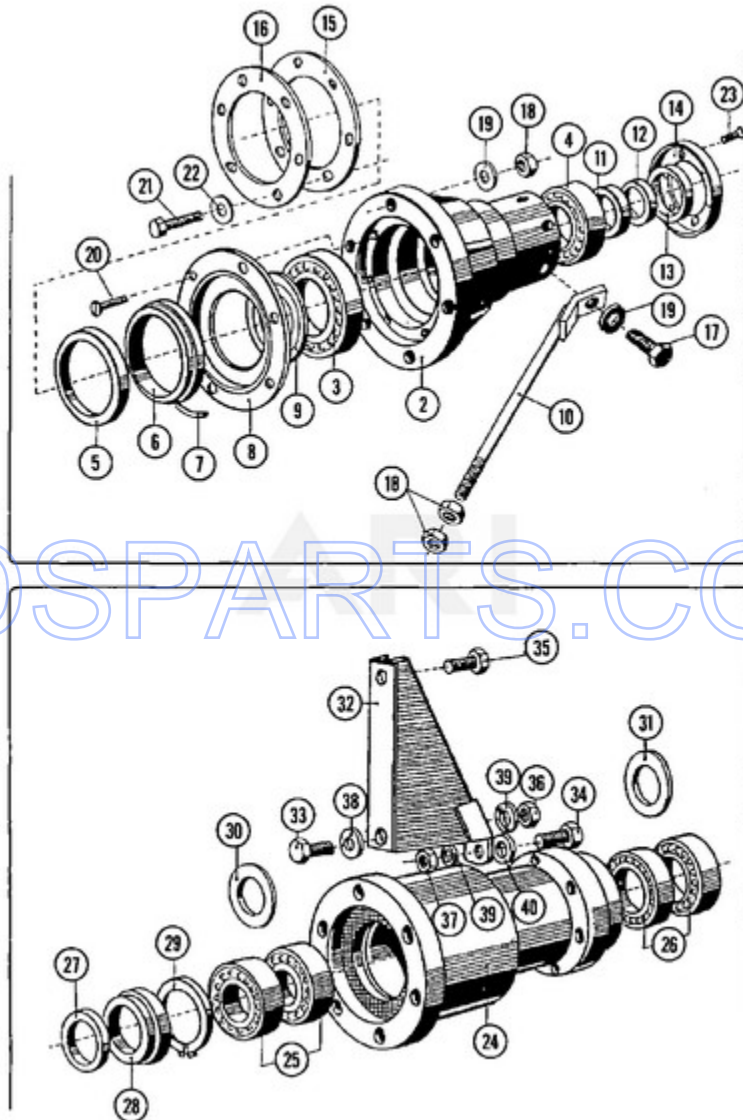
Ref #	Part #	Description	Qty	Context	Note	MSRP
1	23001161	RING, DOOR	1	Series	10	
2	23001162	NUT, ORNAMENTAL (STNLS STEEL)	1	Series	10	
3	23001163	GLASS, DOOR	1	Series	10	
4	23001164	GASKET, DOOR GLASS	1	Series	10	
5	23001165	PLATE, HINGE	1	Series	10	
6	23001166	SHIM, HINGE PLATE	1	Series	10	
7	23001510	HANDLE, DOOR	1	Series	10	
7	23003631	HANDLE, DOOR (FRONT) MUST PURCHASE 23003700 ASSY	1	Series	14	
7	23003632	HANDLE, DOOR (BACK) MUST PURCHASE 23003700 ASSY	1	Series	14	
7	23003700	HANDLE, DOOR ASSEMBLY	1	Series	14	
8	23003634	LEVER, DOOR	1	Series	14	
8	NLA	LEVER, HANDLE	1	Series	10	
9	23001168	SHAFT, LEVER	1	Series	10	
10	23001169	SPRING, HANDLE LEVER	1	Series	10	
11	23001057	SPEEDNUT (M3)	1	Series	14	
11	23001170	FASTENER, SPRING (DIA. 3.2)	1	Series	10	
12	23001171	BASE, HINGE	1	Series	10	
13	23001172	SHAFT, DOOR HINGE	1	Series	10	
14	23001173	HANDLE, LEVER PLATE	1	Series	10	
14	23001174	BATCH ATTACHING HOOK & ALIGNIN	1	Series	10	
15	23001175	SCREW (M6X20 STNLS STEEL)	1	Series	10	
15	23002937	SCREW (M6X26)	1	Series	14	
16	23001176	NUT (M6 STNLS STEEL)	1	Series	10	
17	23001158	LOCKWASHER (M6 EXTERNAL TEETH)	1	Series	10	
18	23001159	WASHER (DIA. 14X8.6X1 STNLS)LU	1	Series	10	
19	23001177	SCREW (M4 X 10)	1	Series	14	
19	23001372	SCREW (M4 X 10 STNLS STEEL)	1	Series	10	
20	23001178	MICROSWITCH, ACTIVATING PLATE	1	Series	10	
21	23001179	SCREW (M4X10 STNLS STEEL)	1	Series	10	
22	23001180	WASHER (DIA. 10X5.3X1)	1	Series	10	
23	23001181	RING, RETAINING (DIA. 8)	1	Series	10	
24	23001182	BOLT (M6X16 STNLS STEEL)	1	Series	10	
25	23001185	DOORSEAL, TENSION RING	1	Series	10	
26	23001186	DOORSRING, TENSION SPRING	1	Series	10	

MFR35PCAVS - 09 - BASKET & OUTER SHELL ASSEMBLY



Ref #	Part #	Description	Qty	Context Note	MSRP
1	NLA	TUB (COMPLETE)	1	Series 10	
2	23001189	DRUM & SHAFT	1	Series 10	
2	23001190	DRUM & SHAFT	-	Series 10	
3	23001191	SHELL, OUTER	1	Series 10	
3	23001192	SHELL, OUTER	-	Series 10	
4	23002178	PLATE, BASE	1	Series 10	
4	NLA	PLATE, BASE	-	Series 10	
5	23001195	BACKPLATE (IRON)	1	Series 10	
5	23001196	BACKPLATE (IRON)	-	Series 10	
5	23003981	BEARING HOUSING STUD 14MM	-	Series 10	
6	23001197	RING, CLAMP (24 HOLES)	1	Series 10	
7	23001198	SHIELD	1	Series 10	
8	23001199	GASKET, REAR SHELL (24 HOLES)	1	Series 10	
9	23001200	HINGE, MIRCO SWITCH	1	Series 10	
10	23001201	WASHER (DIA. 22X11X1 BRASS)	1	Series 10	
11	23001202	BOLT (M10X35 STNLS STEEL)	1	Series 10	
12	23001203	WASHER (DIA. 16 X 8.4 X 1.6)	-	Series 10	
13	23001177	SCREW (M4 X 8 STNLS STEEL)	1	Series 10	
14	23001204	WASHER, FINISHING (DIA. 5)	1	Series 10	
15	23001088	TRIM, RUBBER	1	Series 10	
16	23001205	BOLT (M8 X 45)	1	Series 10	
17	23001089	SCREW (M4 X 16 CK)	1	Series 10	
18	23001055	NUT (M4)	1	Series 10	
19	23001206	BRACKET, MOTOR HARNESS	1	Series 10	
20	23001592	ADAPTOR	1	Series 10	
21	23002179	WASHER	1	Series 10	
22	23001265	WASHER (8)	1	Series 10	
23	23001306	LOCKING NUT, SELF	1	Series 10	

MFR35PCAVS - 10 - BEARINGS & TRUNNION ASSEMBLY

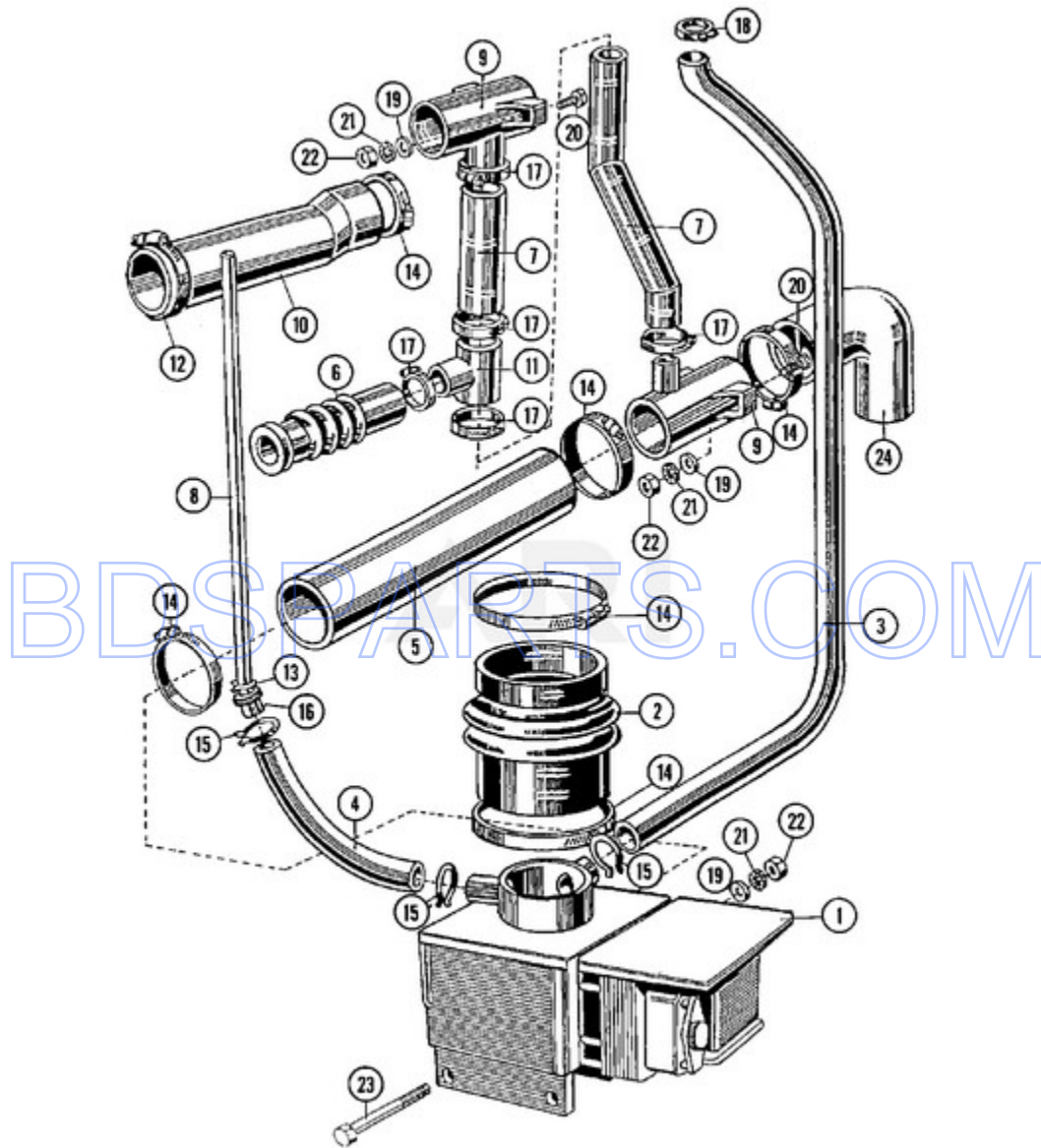


Ref #	Part #	Description	Qty	Context	Note	MSRP
1	23001207	TRUNNION ASSEMBLY	1	Series	10	
2	23001209	TRUNNION (CASTING ONLY)	-	Series	10	
2	23003981	BEARING HOUSING STUD 14MM	6	Series	10	
3	23001210	BEARING, FRONT	-	Series	10	
4	23001211	BEARING, REAR	-	Series	10	
5	23001212	RING, SEAL	-	Series	10	
6	23001213	SEAL, WATER	-	Series	10	
7	23001214	O-RING	-	Series	10	
8	23001215	HOLDER, WATER SEAL	-	Series	10	
9	23001216	BEARING, SHEILD	-	Series	10	
10	23001217	ROD, TENSION	-	Series	10	
11	23001218	RING, SPACER (STNLS STEEL)	-	Series	10	
12	23001219	BUSHING, BRASS	-	Series	10	
13	23001220	SEAL, AXIAL	-	Series	10	
14	23001221	SEAL, AXIAL HOLDER	-	Series	10	
15	23001222	GASKET, RUBBER	-	Series	10	
16	23001223	RING, CLAMP (STNLS STEEL)	-	Series	10	
17	23001224	BOLT (M14 X 25)	6	Series	10	
18	23001225	NUT (M14)	6	Series	10	
19	23001226	LOCK WASHER, SPRING (M14)	6	Series	10	
20	23001227	SCREW (M4 X 10 STNLS STEEL)	4	Series	10	
21	23001157	BOLT (M6 X 12 STNLS STEEL)	6	Series	10	
22	23001228	RING, SEAL (DIA. 14 X 6.5 X 1)	6	Series	10	
23	23001229	SCREW (M6 X 10 PK)	4	Series	10	
24	23001230	TRUNNION (CASTING ONLY)	1	Series	10	
25	23001231	BEARING (6209 2RS C3)	1	Series	10	
26	23001232	BEARING (REAR)	1	Series	10	
27	23001233	RING, SEAL	1	Series	10	
28	23001234	SEAL, WATER	1	Series	10	
29	23001235	RING, INTERNAL SNAP	1	Series	10	
30	23001236	RING, SPACER (FRONT BEARING)	1	Series	10	
31	23001237	RING, SPACER (REAR BEARING)	1	Series	10	
32	23001238	SPOKE	1	Series	10	
33	23001202	BOLT (M10X35 STNLS STEEL)	1	Series	10	
34	23001239	BOLT (M10 X 40)	1	Series	10	
35	23001205	BOLT (M8 X 45)	1	Series	10	
36	23001240	NUT (M10)	1	Series	10	
37	23001241	LOCKING NUT, SELF (M10) LU	1	Series	10	
38	23001201	WASHER (DIA. 22X11X1 BRASS)	1	Series	10	

Ref #	Part #	Description	Qty	Context Note	MSRP
39	23001242	LOCK WASHER, SPRING (M10)	1	Series 10	
40	23001243	WASHER (DIA. 20 X 10.5 X 2)	1	Series 10	

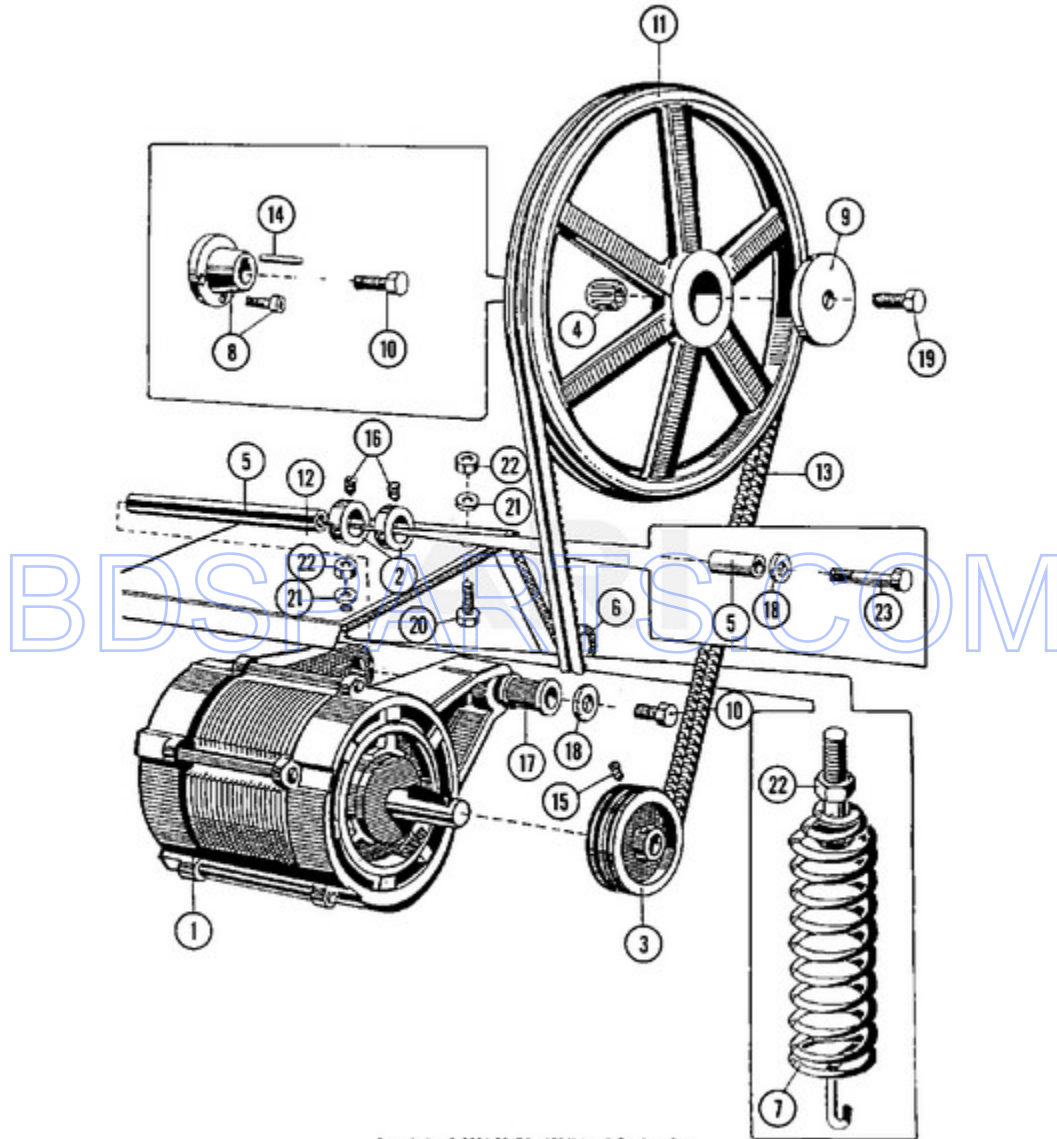
BDSPARTS.COM

MFR35PCAVS - 11 - DRAIN & HOSE ASSEMBLY



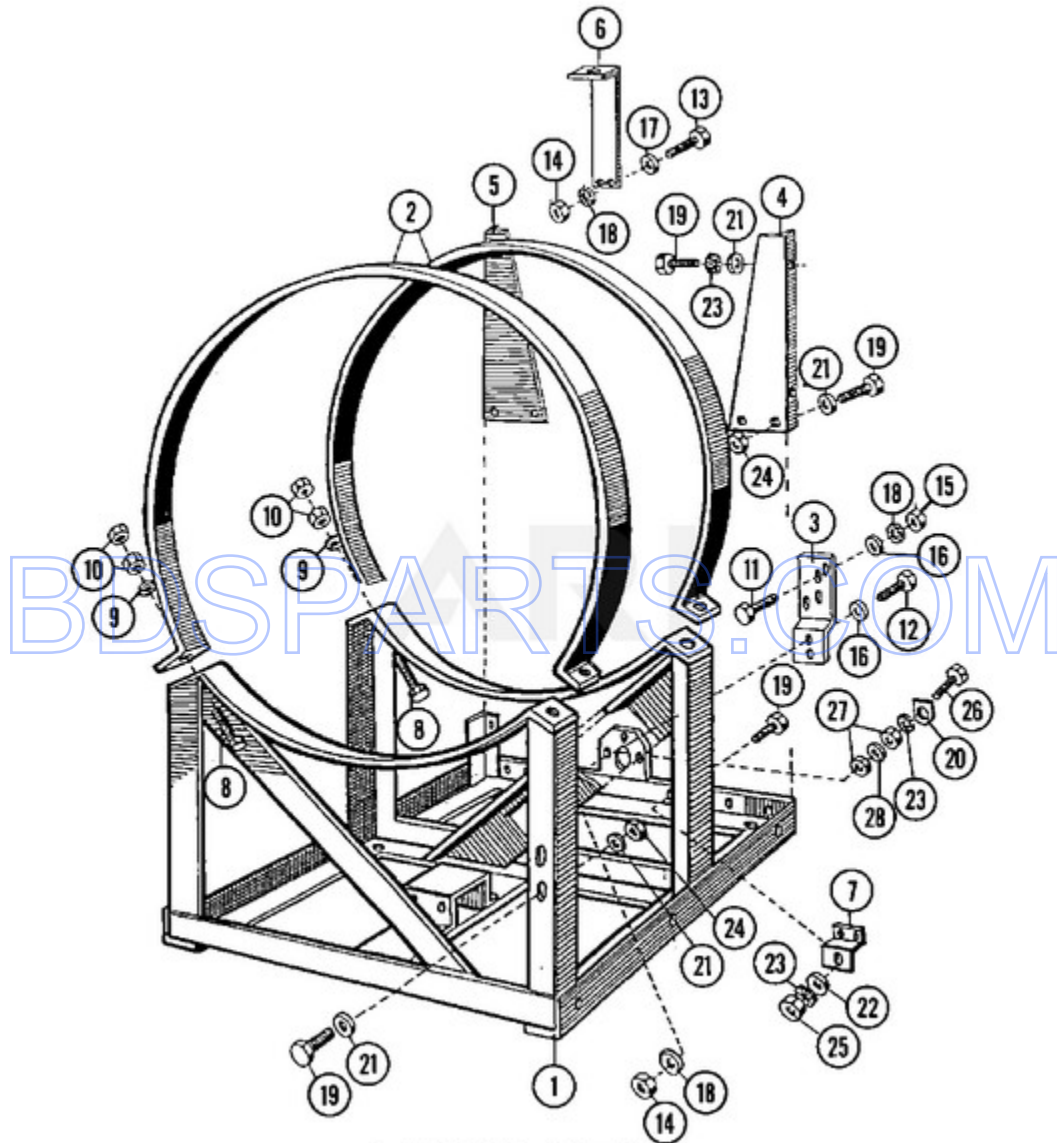
Ref #	Part #	Description	Qty	Context Note	MSRP
1	23001244	VALVE, DRAIN (240V-50/60HZ)	1	Series 10	
1	23002321	MOTOR, DRAIN (240V)	1	Series 10	
2	23001245	HOSE, TUB	1	Series 10	
3	23001246	HOSE, BOTTOM FILL	1	Series 10	
4	23001247	HOSE, AIR DOME (30 CM)	1	Series 10	
5	23001248	HOSE, DRAIN	-	Series 10	
5	23001249	HOSE, DRAIN	1	Series 10	
6	23001250	HOSE, AIR VENT	1	Series 10	
7	23001251	HOSE, OVERFLOW	1	Series 10	
8	23001252	HOSE, WATER LEVEL SWITCH	1	Series 10	
9	23001253	TEE, DRAIN	1	Series 10	
10	23001254	AIR VENT HOSE, SOAP BOX	1	Series 10	
11	23001255	TEE, OVERFLOW HOSE	1	Series 10	
12	23001256	CLAMP, HOSE (60-80)	1	Series 10	
13	23001257	CLAMP, CORBIN (A5.5)	1	Series 10	
14	23001258	CLAMP, HOSE (70-90)	1	Series 10	
15	23001259	CLAMP, CORBIN (A17.5)	1	Series 10	
16	23001260	BUSHING, AIR DOME HOSE	1	Series 10	
17	23001261	CLAMP, HOSE (32-50)	1	Series 10	
18	23001262	CLAMP, HOSE (20-32)	1	Series 10	
19	23001263	WASHER (8.4)	1	Series 10	
20	23001264	BOLT M8X20	1	Series 10	
21	23001265	WASHER (8)	1	Series 10	
22	23001266	NUT (M8)	1	Series 10	
23	23001267	BOLT (M8 X 120)	1	Series 10	
24	23001268	HOSE, DRAIN (90 DIA.)	1	Series 10	

MFR35PCAVS - 12 - MOTOR & BASKET PULLEY



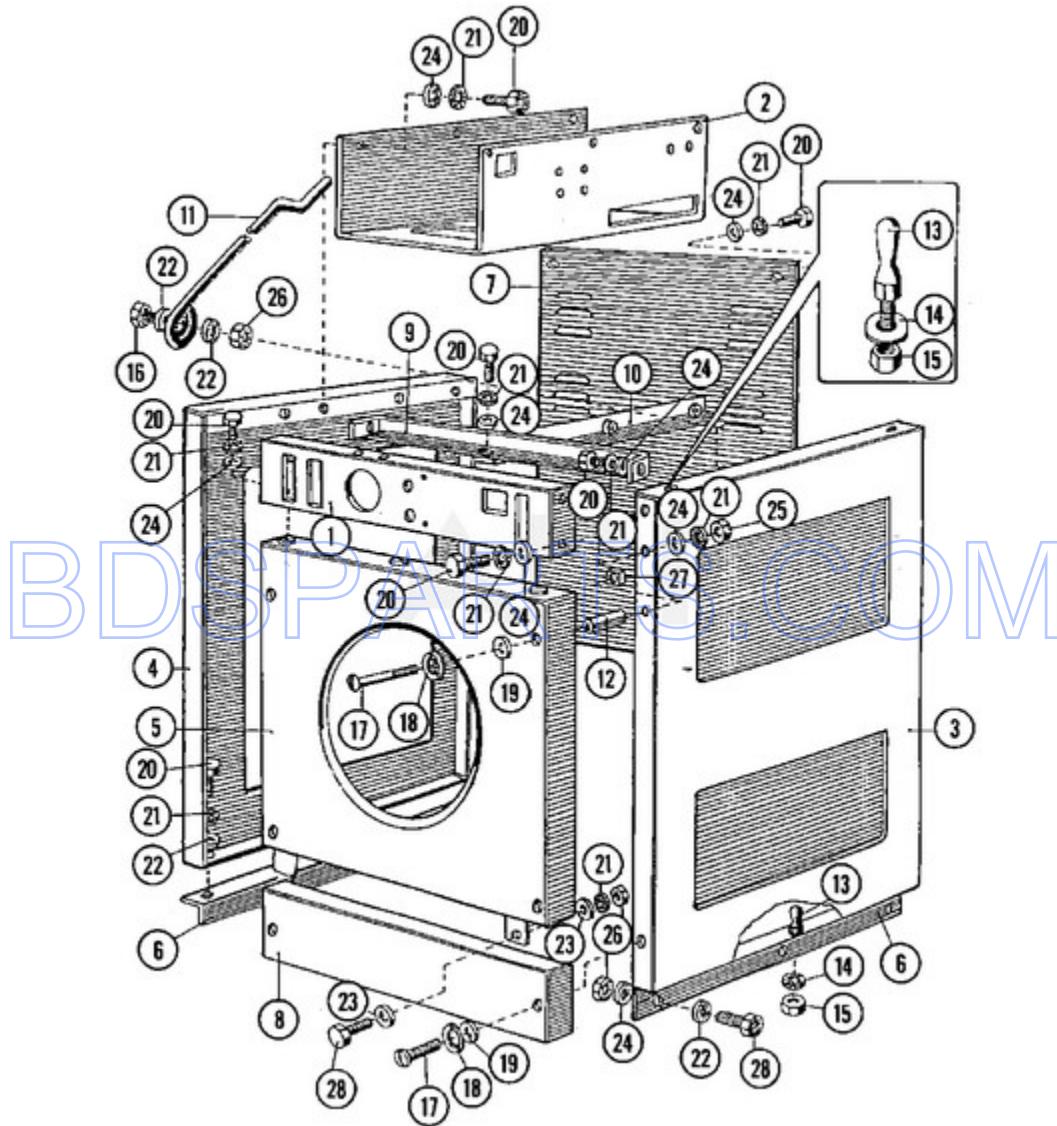
Ref #	Part #	Description	Qty	Context	Note	MSRP
1	23001269	MOTOR (SINGLE PHASE-240/208V)	1	Series	10	
1	23001270	MOTOR (THREE PHASE-240V/208V)	-	Series	10	
1	23001271	MOTOR (THREE PHASE 240/208V)	-	Series	10	
2	23001272	COLLAR, RETAINER	1	Series	10	
3	23001273	V-PULLEY (DIA. 53 X PZ 60HZ)	1	Series	10	
4	23001274	RING, TOLERANCE	-	Series	10	
5	23001275	ROD, MOTOR SUPPORT	-	Series	10	
5	NLA	ROD, MOTOR SUPPORT	1	Series	10	
6	23001278	TENSIONER, BELT (SINGLE PHASE)	1	Series	10	
7	23001279	BELT, TENSION SPRING	1	Series	10	
8	23001280	BUSHING, TAPERED (W/KEY SLOT)	1	Series	10	
9	23001281	WASHER (DIA. 90 X 10)	-	Series	10	
9	23001282	WASHER (DIA. 37 X 13 X 3)	1	Series	10	
10	23001283	BOLT (M12 X 35)	1	Series	10	
11	23001284	PULLEY, BASKET (DIA. 450)	1	Series	10	
11	23001285	PULLEY, BASKET (DIA. 450)	-	Series	10	
12	23001286	SHIELD, MOTOR	1	Series	10	
13	23001287	V-BELT (XPZ X 1950)	1	Series	10	
14	23001288	KEY, BASKET PULLEY(10 X 8X 60)	1	Series	10	
15	23001289	SCREW, ALLEN SET (M8 X 10)	1	Series	10	
16	23001290	SCREW, ALLEN SET (M6 X 6)	1	Series	10	
17	23001291	BUSHING, RUBBER MOTOR MOUNT	1	Series	10	
18	23001292	WASHER (13)	1	Series	10	
19	23001293	BOLT (M14 X 50)	-	Series	10	
20	23001264	BOLT M8X20	1	Series	10	
21	23001265	WASHER (8)	1	Series	10	
22	23001266	NUT (M8)	1	Series	10	
23	23001294	BOLT (M12 X 70)	1	Series	10	

MFR35PCAVS - 13 - BASE FRAME



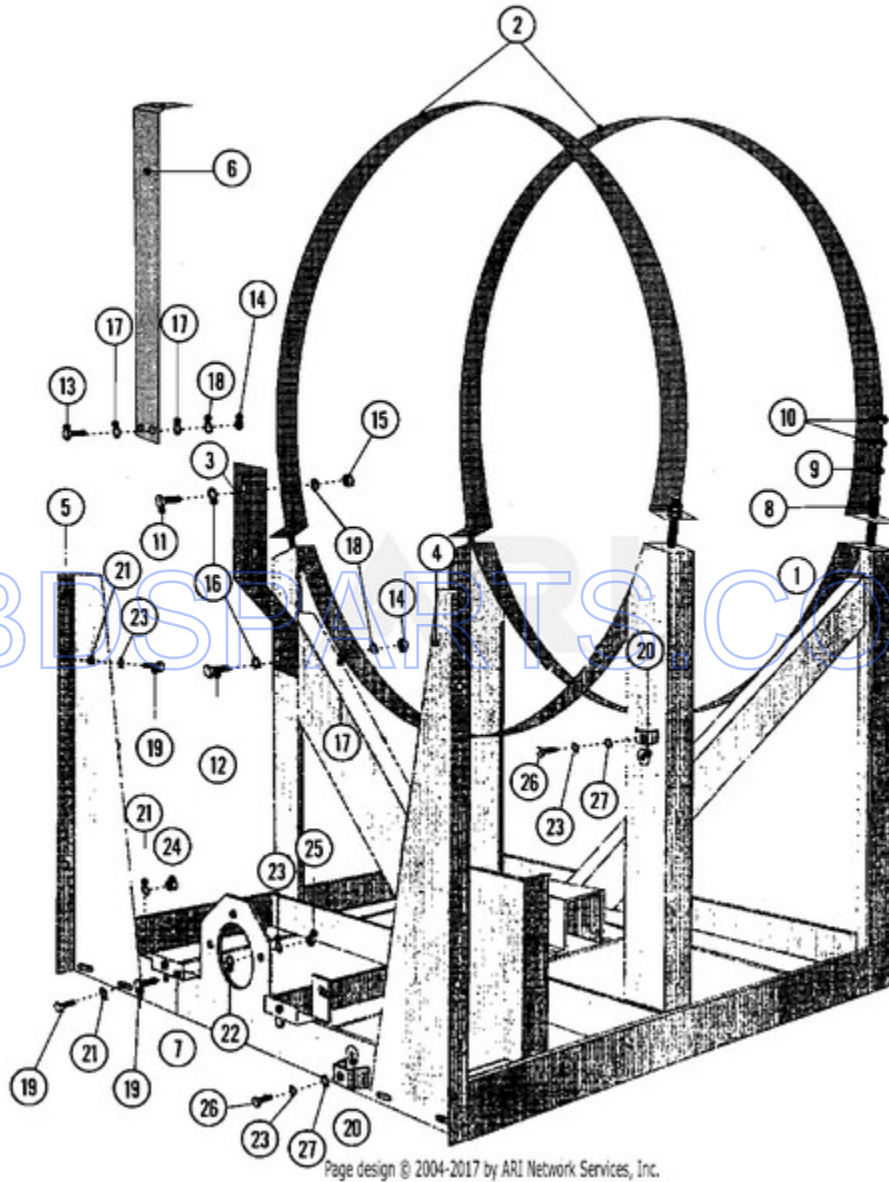
Ref #	Part #	Description	Qty	Note
1	23001296	FRAME	-	Series 10
1		NIA FRAME	1	Series 10
2	23001297	CLAMP, TUB	1	Series 10
3	23001298	BRACE, TUB SUPPORT	1	Series 10
4	23001299	PANEL, SUPPORT BRACKET (RT)	1	Series 10
5	23001300	PANEL, SUPPORT BRACKET (LT)	1	Series 10
6	23001302	BRACKET	1	Series 10
7	23001294	BOLT (M12 X 70)	1	Series 10
8	23001292	WASHER (13)	1	Series 10
9	23001303	NUT (M12)	1	Series 10
10	23001205	BOLT (M8 X 45)	1	Series 10
11	23001304	BOLT (M8 X 35)	1	Series 10
12	23001266	NUT (M8)	1	Series 10
13	23001306	LOCKING NUT, SELF	1	Series 10
14	23001263	WASHER (8.4)	1	Series 10
15	23001265	WASHER (8)	1	Series 10
16	23001307	BOLT (M6 X 20)	1	Series 10
17	23001308	HARDWARE, GROUNDING	1	Series 10
18	23001309	WASHER (6.4) LU	1	Series 10
19	23001159	WASHER (DIA. 14X8.6X1 STNLS)LU	1	Series 10
20	23001028	LOCKWASHER (EXTERNAL TEETH M6)	1	Series 10
21	23001310	NUT, SELF LOCKING (M6)	1	Series 10
22	23001034	NUT (M6)	1	Series 10
23	23001311	BOLT (M6 X 25)	1	Series 10
24	23001312	NUT (M6)	1	Series 10
25	23001313	WASHER (6.4)	1	Series 10

MFR35PCAVS - 14 - CABINET



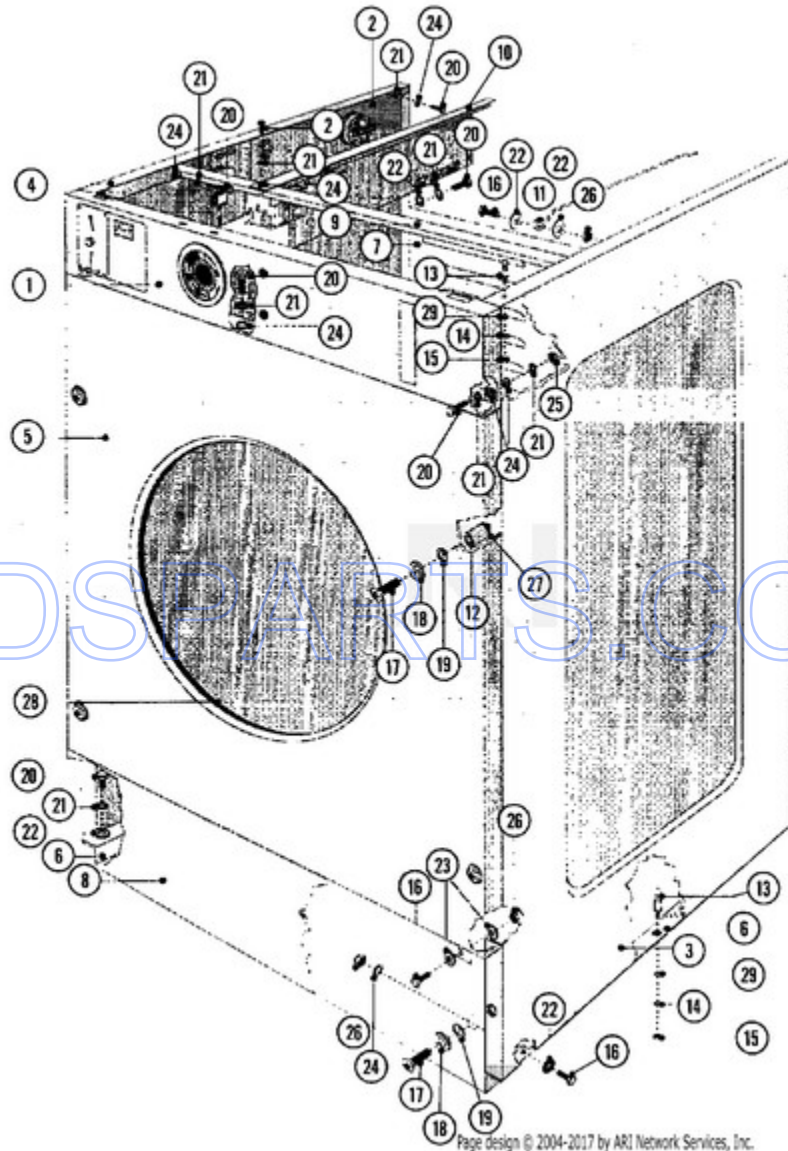
Ref #	Part #	Description	Qty	Context	Note	MSRP
1	23001039	PLATE, BACK-UP (COIN METER)	1	Series	10	
1	NLA	PANEL, CONTROL	1	Series	10	
2	23001314	TRAY, ELEC. COMPONENTS	1	Series	10	
3	23001316	PANEL, SIDE (RT)	1	Series	10	
3	23001317	PANEL, SIDE (RT)	-	Series	10	
4	23001318	PANEL, SIDE (LT)	1	Series	10	
4	23001319	PANEL, SIDE (LT)	-	Series	10	
5	23001320	PANEL, FRONT (SS)COIN	1	Series	10	
6	23001321	PANEL, SUPPORT (RT)	1	Series	10	
6	23001322	(LT)	1	Series	10	
6	23001323	PANEL, SUPPORT (LT)	-	Series	10	
6	23001324	(RT)	-	Series	10	
7	23001325	PANEL (REAR)	1	Series	10	
8	23001326	PANEL, ACCESS (LWR)	1	Series	10	
9	23001327	BEAM, CROSS	1	Series	10	
10	23001328	BRACE	1	Series	10	
10	23001329	BRACE	-	Series	10	
11	23001330	SUPPORT ROD, TOP PANEL	1	Series	10	
12	23001331	SPACER, PANEL	1	Series	10	
13	23001332	PIN, SRV	1	Series	10	
14	23001333	LOCKWASHER (M5)	1	Series	10	
15	23001334	NUT (M5) LU	1	Series	10	
16	23001335	BOLT (M6X25)	1	Series	10	
17	23001336	SCREW (M6 X 50)	1	Series	10	
18	23001337	WASHER, FINISHING	1	Series	10	
19	23001338	WASHER, FIBER (DIA. 15X7X3)	1	Series	10	
20	23001026	BOLT (M6 X 16)	1	Series	10	
21	23001028	LOCKWASHER (EXTERNAL TEETH M6)	1	Series	10	
22	23001309	WASHER (6.4) LU	1	Series	10	
23	23001309	WASHER (6.4) LU	1	Series	10	
24	23001027	WASHER (DIA. 12 X 6.5 X 1.6)	1	Series	10	
25	23001034	NUT (M6)	1	Series	10	
26	23001310	NUT, SELF LOCKING (M6)	1	Series	10	
27	23001339	NUT, CAGE	1	Series	10	
28	23001307	BOLT (M6 X 20)	1	Series	10	
29	23001088	RUBBER TRIM	1	Series	10	
30	23001548	BOX CONDENSATORS	2	Series	10	

MFR35PCAVS - 15 - BASE FRAME (SERIES 11)



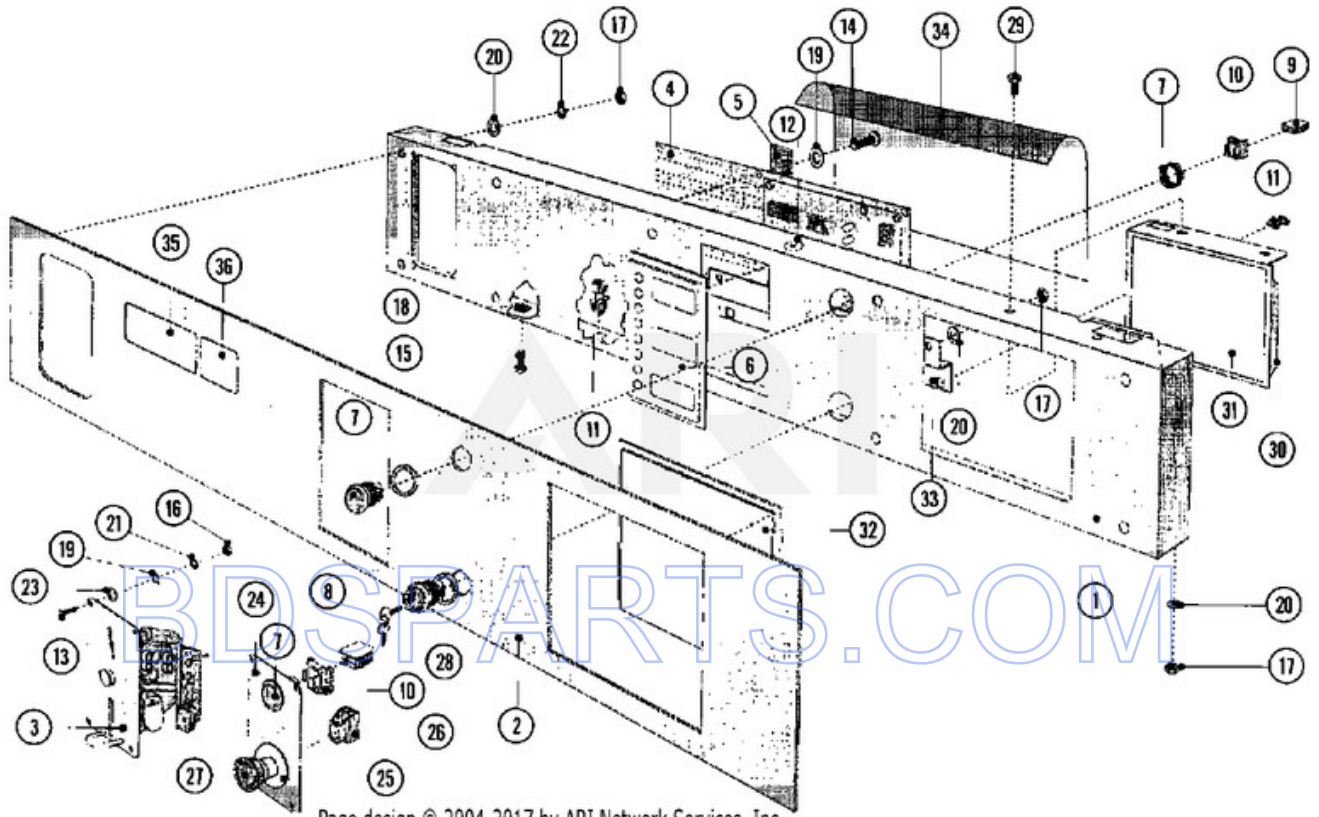
Ref #	Part #	Description	Qty	Context	Note	MSRP
1	23002840	FRAME	1	Series	11	
1	23002960	FRAME	-	Series	11	
2	23001297	CLAMP, TUB	2	Series	11	
3	23002841	BRACE, TUB SUPPORT	1	Series	11	
4	23002842	BRACKET, SUPPORT (RT-SIDE)	1	Series	11	
5	23002843	BRACKET, SUPPORT (LT-SIDE)	1	Series	11	
6	23002844	HOLDER, STEAM TUBE	1	Series	11	
7	23002845	CONNECTION, PART BACK PLATE	2	Series	11	
8	23002846	SCREW (M12X70)	4	Series	11	
8	23002931	SCREW (M14X50)	4	Series	16	
9	23002258	WASHER M14	4	Series	16	
9	23002657	WASHER (13)	4	Series	11	
10	23001599	NUT (M12)	8	Series	11	
10	23003746	NUT, M14	8	Series	16	
11	23002847	SCREW (M8X45)	2	Series	11	
12	23001304	BOLT (M8 X 35)	2	Series	11	
13	23002647	SCREW (M8 X 25)	2	Series	11	
14	23002435	NUT (M8)	4	Series	11	
15	23001607	NUT (M8)	2	Series	11	
16	23001263	WASHER (8.4)	2	Series	11	
17	23002653	WASHER (8/6)	6	Series	11	
18	23002358	WASHER (M8)	6	Series	11	
19	23002462	SCREW (M6 X 20) LU	10	Series	11	
20	NLA	PLATE, INDEX	2	Series	11	
21	23001309	WASHER (6.4) LU	12	Series	11	
22	23002282	WASHER (6)	2	Series	11	
23	23001734	WASHER (M6)	8	Series	11	
24	23002471	NUT	4	Series	11	
25	23002436	NUT (M6)	2	Series	11	
26	23002353	SCREW (M6X12)	2	Series	11	
27	23001643	WASHER (M6)	2	Series	11	

MFR35PCAVS - 16 - CABINET (SERIES 11)



Ref #	Part #	Description	Qty	Context	Note	MSRP
1	23002848	PANEL, CONTROL (PUSH BUTTON)	1	Series	11	
2	23002850	COMPONENTS, BOX ELEC.	1	Series	11	
2	NLA	HOLDER, CONDENSER	1	Series	11	
3	23002851	PANEL, SIDE (RT)	1	Series	11	
3	23002962	PANEL, SIDE (RT)	-	Series	11	
4	23002852	PANEL, SIDE (LT)	1	Series	11	
4	23002963	PANEL, SIDE (LT)	-	Series	11	
5	23001320	PANEL, FRONT (PUSH BUTTON)	1	Series	11	
5	23002853	PANEL, FRONT (SS)OPL	1	Series	11	
6	23002854	SUPPORT, PANEL (RT)	1	Series	11	
6	23002855	PANEL, SUPPORT (LT)	1	Series	11	
6	23002964	SUPPORT, PANEL (LT)	-	Series	11	
6	23002965	SUPPORT, PANEL (RT)	-	Series	11	
7	23002856	PLATE, BACK	1	Series	11	
8	23002857	PANEL, SERVICE (STAINLESS)	1	Series	11	
9	23002858	BEAM, CROSS	1	Series	11	
10	23001329	HOLDER, BOX	1	Series	11	
10	23002859	HOLDER, BOX	-	Series	11	
11	23001330	SUPPORT ROD, TOP PANEL	1	Series	11	
12	23002860	TUBE, DISTANCE	4	Series	11	
13	23001332	PIN, SRV	4	Series	11	
14	23002465	WASHER, LOCK	4	Series	11	
15	23002466	NUT (M5)	4	Series	11	
16	23002861	SCREW (M6X25) LU	9	Series	11	
17	23002456	SCREW (M6 X 50)	6	Series	11	
18	23001337	WASHER, FINISHING	6	Series	11	
19	23001338	WASHER, FIBER (DIA. 15X7X3)	6	Series	11	
20	23002354	SCREW (M6X16)	34	Series	11	
21	23002756	WASHER	38	Series	11	
22	23001309	WASHER (6.4) LU	20	Series	11	
23	23001203	WASHER (DIA. 16 X 8.4 X 1.6)	8	Series	11	
24	23002282	WASHER (6)	22	Series	11	
25	23002436	NUT (M6)	4	Series	11	
26	23002471	NUT	8	Series	11	
27	23001339	NUT, CAGE	4	Series	11	
28	23001088	RUBBER TRIM	1	Series	11	
29	23002862	WASHER (5,3)	4	Series	11	

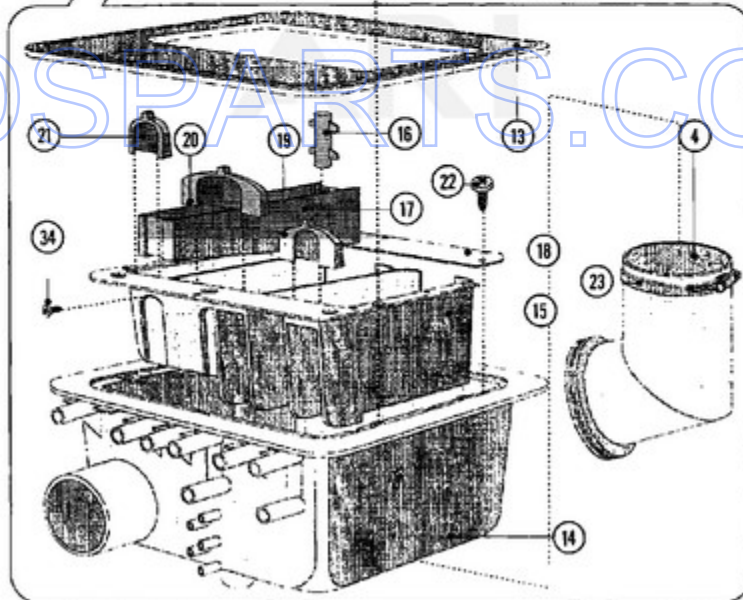
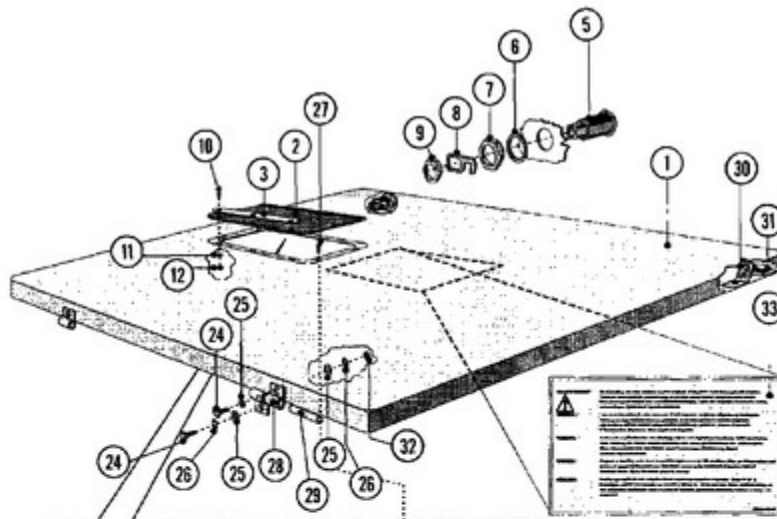
MFR35PCAVS - 17 - CONTROL PANEL (PC MODELS-SERIES 11)



Page design © 2004-2017 by ARI Network Services, Inc.

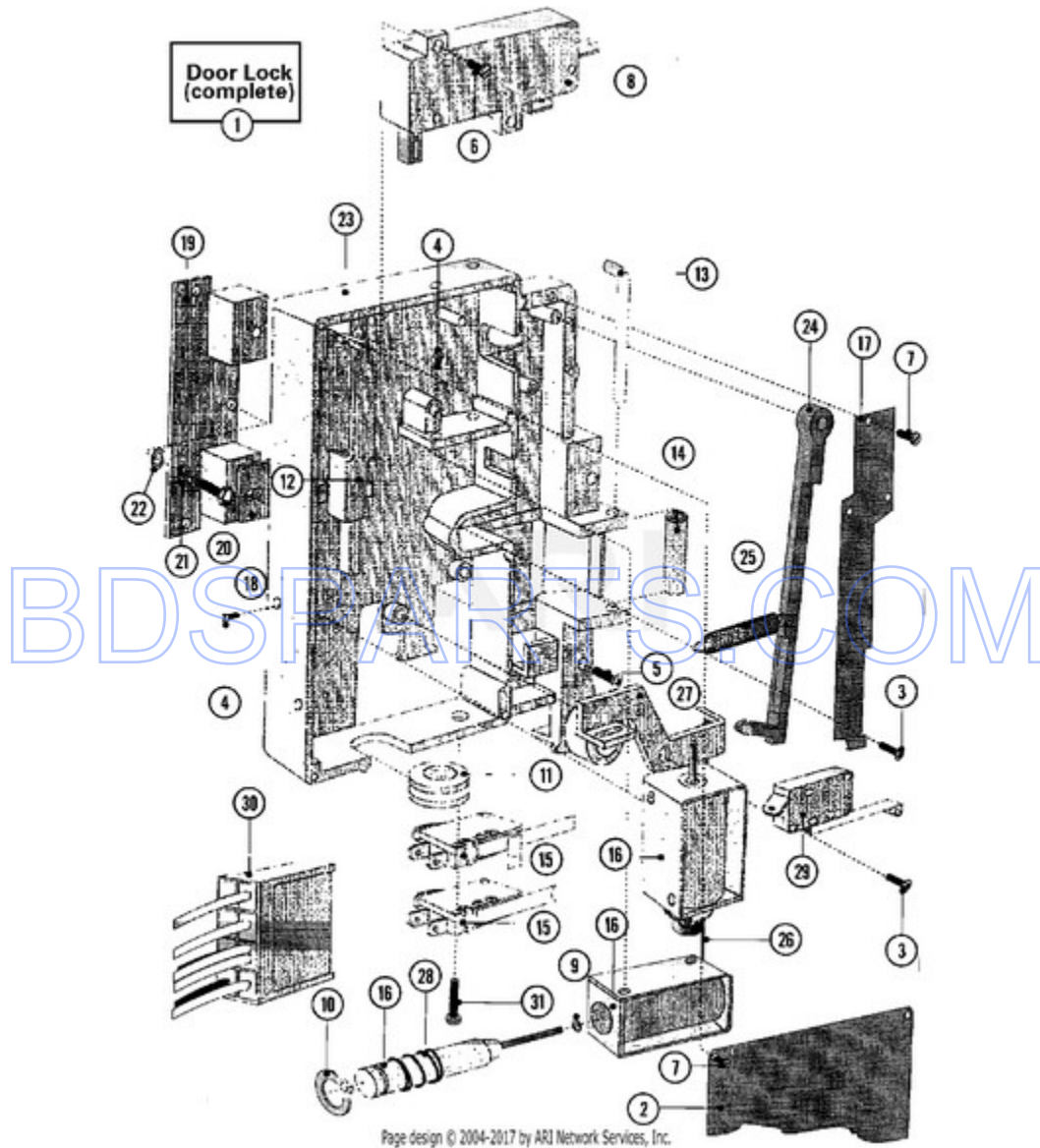
Ref #	Part #	Description	Qty	Context	Note	MSRP
1	NLA	PANEL, CONTROL	1	Series	11	
2	NLA	FACIA, CONTROL PANEL (PC)	1	Series	11	
3	23001063	COIN METER (25 CENTS-240V)	1	Series	11	
4	23001525	MICROPROCESSOR	1	Series	11	
5	23003741	CONTROLLER, APL283A V1.07 (ENGLISH, SPANISH)	1	Series	11	
6	23001526	PLEXI, MICROPROCESSOR	1	Series	11	
7	23001537	KNOB, PUSH BUTTON	1	Series	11	
8	23001538	KNOB, KEY	1	Series	11	
9	23001541	BLOCK, CONTACT (ON)	1	Series	11	
10	23001540	ADAPTER, CONTACT BLOCK	3	Series	11	
11	23001542	HOLDER, BOARD	3	Series	11	
12	NLA	LABEL, EARTH	1	Series	11	
13	23001064	ORNAMENTAL SCREW (M3 X 10)	4	Series	11	
14	23002869	SCREW (M3X6)	3	Series	11	
15	NLA	BOLT (M6X16)	2	Series	11	
16	23002500	WASHER, LOCK	4	Series	11	
17	23002399	NUT(M4)	10	Series	11	
18	23001339	NUT, CAGE	2	Series	11	
19	23002174	WASHER (3.2)	4	Series	11	
20	23001545	WASHER	10	Series	11	
21	NLA	LOCKWASHER (M3)	4	Series	11	
22	23002111	WASHER (4)	10	Series	11	
23	23001610	WASHER (4.3)	4	Series	11	
24	23002871	LABEL	1	Series	11	
25	23002330	LABEL, CENTRAL STOP	1	Series	11	
26	23002331	CONTACTOR, CENTRAL STOP	1	Series	11	
27	23002332	KNOB, CENTRAL STOP	1	Series	11	
28	23002873	BLOCK, CONTACT (OFF)	1	Series	11	
29	23002423	SCREW (M4X10)	2	Series	11	
30	NLA	HOLDER, PLEXI	1	Series	11	
31	NLA	PLATE, INSERT PROGRAM	1	Series	11	
32	23002875	PLEXI	1	Series	11	
33	NLA	SUPPORT, SIDE PANELS	1	Series	11	
34	NLA	COVER, PLASTIC	1	Series	11	
35	NLA	PLATE, INDEX	1	Series	11	
36	NLA	PLATE, INSERT	1	Series	11	

MFR35PCAVS - 18 - SOAP BOX & TOP COVER ASSEMBLY(SERIES 11)



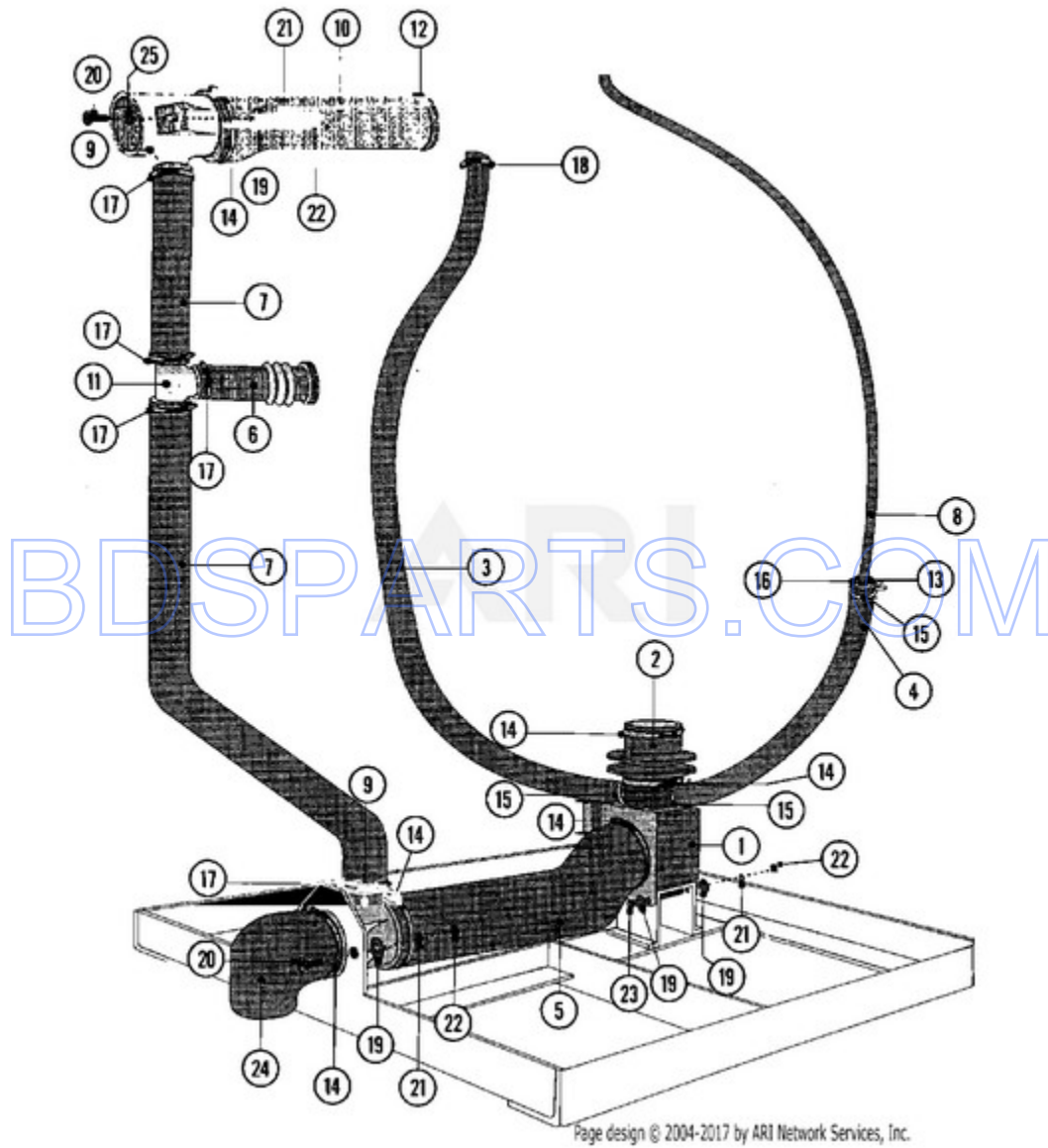
Ref #	Part #	Description	Qty	Context	Note	MSRP
1	23002892	COVER, TOP	1	Series	11	
1	23002968	COVER, TOP (STLNS)	-	Series	11	
2	23001003	RUBBER COVER, SOAP BOX	1	Series	11	
3	23002893	LATH, RUBBER COVER SOAP HOPPER	1	Series	11	
4	23001005	RUBBER HOSE, SOAP BOX	1	Series	11	
5	23001006	LOCK, TOP PANEL	2	Series	11	
6	23001007	WASHER, FIBER	2	Series	11	
7	23001008	LOCK NUT (LARGE)	2	Series	11	
8	23001009	LOCK HOOK (SHORT)	2	Series	11	
8	23001010	LOCK HOOK (LONG)	2	Series	11	
9	23001011	NUT	2	Series	11	
10	23001012	SCREW (M4 X 12 STNLS STEEL)	3	Series	11	
11	23001636	WASHER	3	Series	11	
12	23002652	NUT (QTY OF 4 = 1 PIECE)	3	Series	11	
13	23001015	RUBBER SEAL, SOAP BOX	1	Series	11	
14	23001016	SOAP BOX HOUSING	1	Series	11	
15	23001017	SOAP BOX INSERT	1	Series	11	
16	23001018	SIPHON	1	Series	11	
17	23001019	TRAY	1	Series	11	
18	23001020	COVER, PLATE	1	Series	11	
19	23001021	DRAWER, PREWASH	1	Series	11	
20	23001022	DRAWER, MAIN WASH	1	Series	11	
21	23001023	DRAWER, LAST RINSE	1	Series	11	
22	23001024	SCREW	8	Series	11	
23	23001025	CLAMP, HOSE (DIA 90/110)	1	Series	11	
24	23002462	SCREW (M6 X 20) LU	4	Series	11	
25	23001027	WASHER (DIA. 12 X 6.5 X 1.6)	6	Series	11	
26	23002756	WASHER	4	Series	11	
27	23002894	SCREW (M5X15)	4	Series	11	
28	23001030	HINGE, TOP COVER	4	Series	11	
29	23001031	HINGE SHAFT (10 X 56 BRASS)	2	Series	11	
30	23001032	CLAMP, SRV	2	Series	11	
31	23001033	RIVETS, BLIND (DIA. 3.2 X 8)LU	4	Series	11	
32	23002436	NUT (M6)	2	Series	11	
33	23001550	LABEL, EARTH	1	Series	11	
34	NLA	SCREW, SLOTTED (PAN HEAD)	1	Series	11	

MFR35PCAVS - 18 - DOOR LOCK ASSEMBLY (SERIES 11)



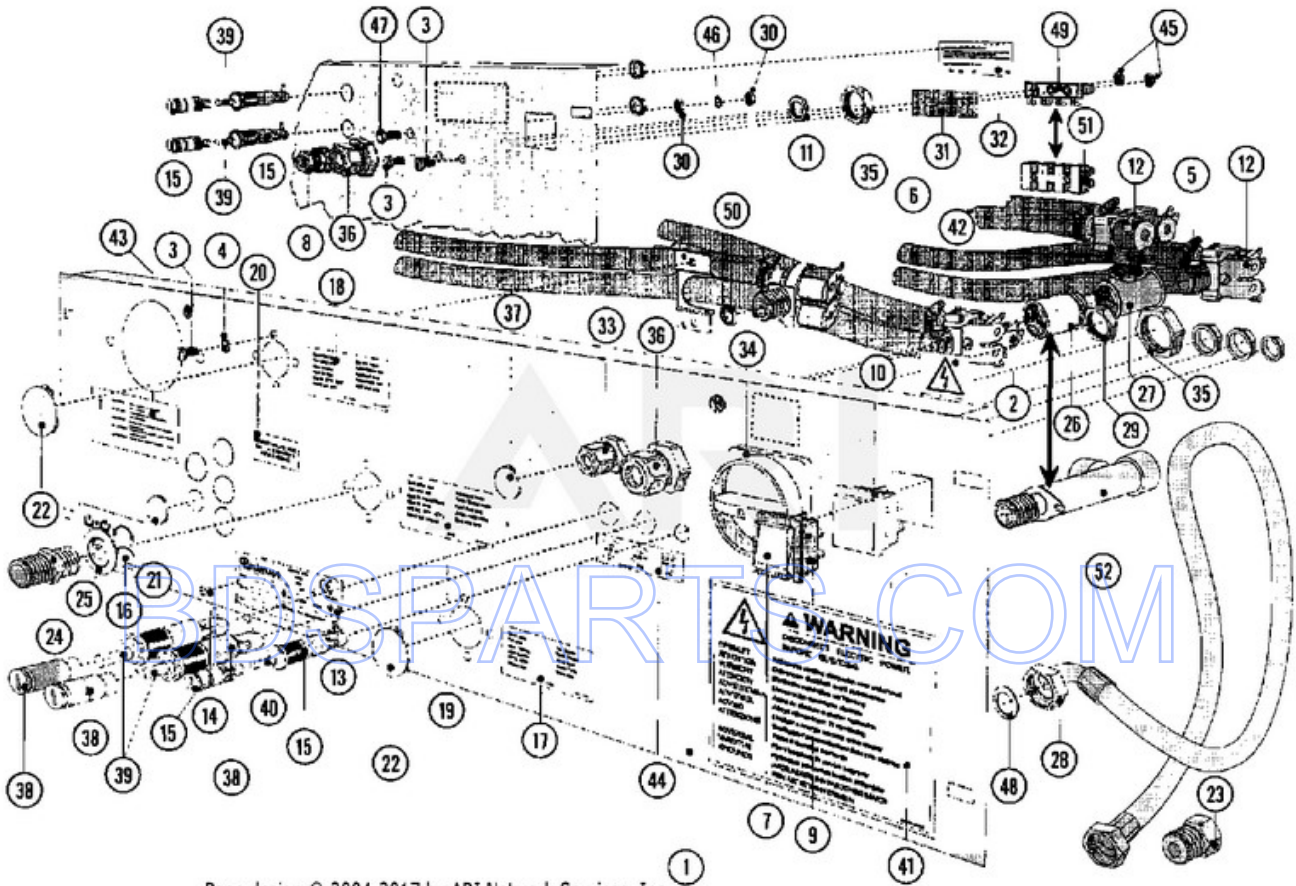
Ref #	Part #	Description	Qty	Context	Note	MSRP
1	23003679	DOOR LATCH COMPLETE (MC/MN)	1	Series	11	
2	23001130	PLATE, COVER (STNLS STEEL)	1	Series	11	
3	23001131	SCREW (M3 X 14 CROSS RECESSED)	3	Series	11	
4	23001132	SCREW (M3 X 4 CROSS RECESSED)	4	Series	11	
5	23001133	SCREW (M5X25 STAINLESS STEEL)	2	Series	11	
6	23001070	SCREW (M4X10)	2	Series	11	
7	23001134	BOLT (M3 X 6)	7	Series	11	
8	23001135	BIMETAL, ACTUATOR (230V)	1	Series	11	
9	23001136	WASHER (DIA. 5.1 X 3.3 X 0.1)	2	Series	11	
10	23001137	RING, RETAINING (G10)	1	Series	11	
11	23001138	BUSHING, CABLE PASSAGE	1	Series	11	
12	23001140	BAR, LOCKING	1	Series	11	
13	23001142	RETAINER, LOCK TUBE (DIA.4X45)	1	Series	11	
14	23001143	LOCK TUBE (DIA. 4X23.5 STNLS)	1	Series	11	
15	23001144	MICROSWITCH, SHORT LEVER	1	Series	11	
16	23001146	COIL (240V)	1	Series	11	
16	23001147	COIL (120V)	1	Series	11	
17	23001149	LEAF SPRING, LATCH BAR	1	Series	11	
18	23001155	SHIM	1	Series	11	
19	23001156	SPACER, LOCK	1	Series	11	
20	23002353	SCREW (M6X12)	3	Series	11	
21	23002130	WASHER (6)	3	Series	11	
22	23001159	WASHER (DIA. 14X8.6X1 STNLS)LU	3	Series	11	
23	Y23002898	GROUND, PLATE LOCK	1	Series	11	
24	23002899	HANDLE, LOCKING PART	1	Series	11	
25	23002900	SPRING, LOCKING PART	1	Series	11	
26	23002901	CORD, OPENING	1	Series	11	
27	NLA	LEVEL, OPENING	1	Series	11	
28	23002903	SPRING, LOCKING PART	1	Series	11	
29	23002337	MICROSWITCH W/ ROLLER ARM	1	Series	11	
30	23002904	WIRING, DOOR LOCK	1	Series	11	
31	23002906	SCREW (M3X25)	2	Series	11	

MFR35PCAVS - 19 - DRAIN & HOSE ASSEMBLY (SERIES 11)



Ref #	Part #	Description	Qty	Context Note	MSRP
1	23001244	VALVE, DRAIN (240V-50/60HZ)	1	Series 11	
2	23002907	TUB, OUTLET VALVE HOSE	1	Series 11	
3	23001246	HOSE, BOTTOM FILL	1	Series 11	
4	23001247	HOSE, AIR DOME (30 CM)	1	Series 11	
5	23001248	HOSE, DRAIN	-	Series 11	
5	23001249	HOSE, DRAIN	1	Series 11	
6	23001250	HOSE, AIR VENT	1	Series 11	
7	23001251	HOSE, OVERFLOW	2	Series 11	
8	23001252	HOSE, WATER LEVEL SWITCH	1	Series 11	
9	23001253	DRAIN TEE	2	Series 11	
10	23001254	AIR VENT HOSE, SOAP BOX	1	Series 11	
11	23001255	TEE, OVERFLOW HOSE	1	Series 11	
12	23001256	CLAMP, HOSE (60-80)	1	Series 11	
13	23001257	CLAMP, CORBIN (A5.5)	1	Series 11	
14	23001258	CLAMP, HOSE (70-90)	6	Series 11	
15	23001259	CLAMP, CORBIN (A17.5)	3	Series 11	
16	23001260	BUSHING, AIR DOME HOSE	1	Series 11	
17	23001261	CLAMP, HOSE (32-50)	5	Series 11	
18	23001262	CLAMP, HOSE (20-32)	1	Series 11	
19	23002437	WASHER M8	8	Series 11	
20	23002475	BOLT (M8X20)	4	Series 11	
21	23002358	WASHER (M8)	6	Series 11	
22	23002435	NUT (M8)	6	Series 11	
23	23002908	SCREW (M8X120)	2	Series 11	
24	23002822	ELBOW, 90 DEGREE	1	Series 11	
25	23002653	WASHER (8/6)	2	Series 11	

MFR35PCAVS - 20 - WATER VALVE & REAR PANEL (SERIES 11)

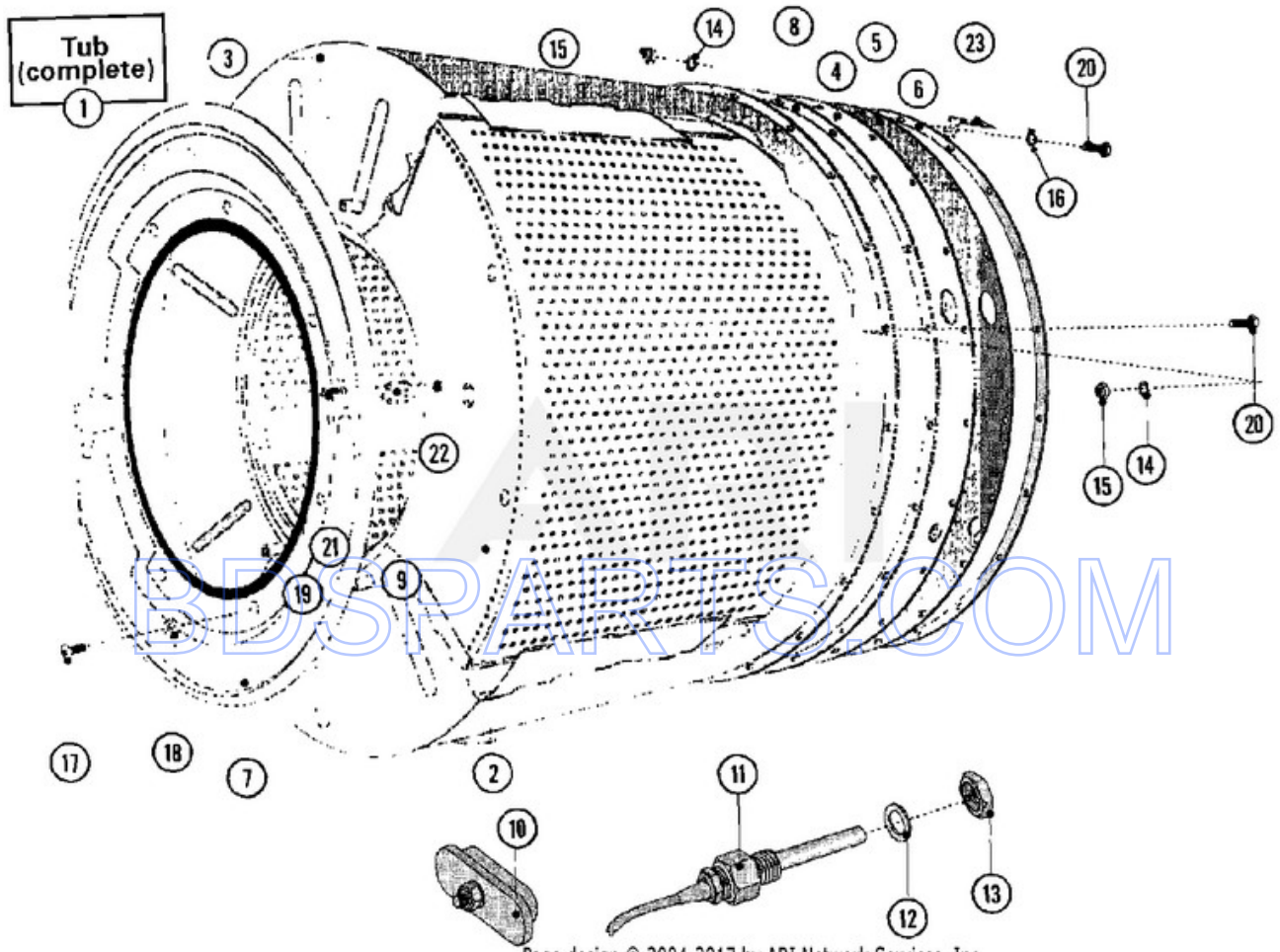


Ref #	Part #	Description	Qty	Context	Note	MSRP
1	23002909	BRIDGE, REAR	1	Series	11	
2	23001533	VALVE, THREE-WAY	1	Series	11	
3	23002423	SCREW (M4X10)	4	Series	11	
4	23002111	WASHER (4)	4	Series	11	
5	23001506	CLAMP, HOSE	14	Series	11	
6	23001507	WATERHOSE (GREEN)	1	Series	11	
7	23001532	COVER, BUTTON (PLASTIC)	1	Series	11	
8	23001453	NUT, SWIVEL (PG9)	1	Series	11	
9	23001529	BUTTON (RAPID ADVANCE)	1	Series	11	
10	23001452	PLUG (WHT)	1	Series	11	
11	23001450	SWIVEL (PG9)	1	Series	11	
12	23001455	VALVE, TWO WAY (220V 50/60HZ)	2	Series	11	
13		PLATE, IDENTIFICATION	1	Series	11	
14	23001461	RIVETS, BLIND	2	Series	11	
15	23001462	HOLDER, FUSE	1	Series	11	
16	23001468	STICKER, SPIN DIRECTION	1	Series	11	
17	NLA	PLATE, INDEX ``HOT WATER``	1	Series	11	
18	NLA	PLATE, INDEX (COLD HARD WATER)	1	Series	11	
19	NLA	PLATE, INDEX (COLD SOFT WATER)	1	Series	11	
20	23001509	STICKER, PIPE THREAD	1	Series	11	
21	NLA	PLUG (13)	5	Series	11	
22	23001476	PLUG, WATER INLET	1	Series	11	
23	23001477	ADAPTER (3/4`` PIPE TO 3/4`` HOS	3	Series	11	
24	23001482	NIPPLE (3/4`` PIPE THREAD)	1	Series	11	
25	23001483	WASHER (DIA. 40 X 6.5 X 3)	1	Series	11	
26	23001484	EXTENSION, BRASS PIPE THREAD	1	Series	11	
27	23001485	TEE, 3/4`` PIPE THREAD (BRASS)	1	Series	11	
28	23001523	HOSE, CONNECTION	2	Series	11	
29	23002197	NUT	1	Series	11	
30	23001312	NUT (M6)	2	Series	11	
31	23001115	INSULATION PAPER	1	Series	11	
32	NLA	LABEL, TERMINAL	1	Series	11	
33	23002196	SWIVEL, CABLE	1	Series	11	
34	23001731	SWITCH, MAIN (63A)	1	Series	11	
34	23002914	SWITCH, MAIN (20A)	1	Series	11	
34	23002915	SWITCH, MAIN (32A)	1	Series	11	
34	23002916	SWITCH, MAIN (80A)	1	Series	11	
35	23002212	NUT	1	Series	11	
36	NLA	SWIVEL	1	Series	11	
37	23002243	PLUG, UNIVERSAL	1	Series	11	
38	23002210	HOLDER, FUSE	2	Series	11	
39	23001508	FUSE (1A)	1	Series	11	
39	23002918	FUSE (1A)	1	Series	11	
40	23002919	FUSE (5A)	1	Series	11	
41	23001465	STICKER, ELECTRICITY WARNING	1	Series	11	
42	23002920	PLATE, INDEX (FLASH)	1	Series	11	

Ref #	Part #	Description	Qty	Context	Note	MSRP
43	23002053	LABEL, WARNING VENT OUT	1	Series	11	
44	NLA	STICKER (1A)	1	Series	11	
45	23001055	NUT (M4)	2	Series	11	
46	23001158	WASHER (M6)	1	Series	11	
47	23002778	SCREW (M4 X 12)	1	Series	11	
48	23002921	WASHER, FILL HOSE	6	Series	11	
49	23001113	CONNECTOR HOUSING (4 POLE)	1	Series	11	
50	23002922	FILTER	3	Series	11	
51	23002923	BOARD, TERMINAL	1	Series	11	
52	23002924	T-PART (3/4)	1	Series	11	

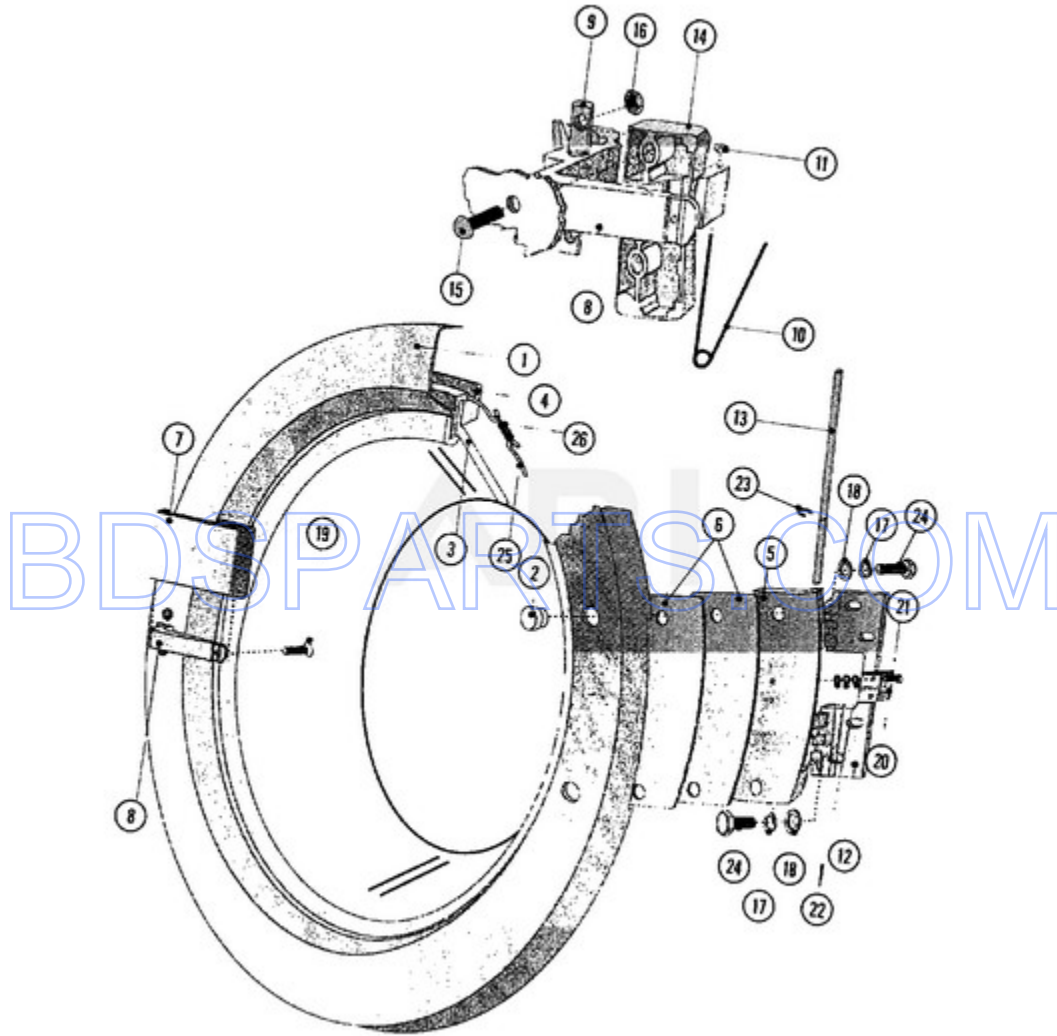
BDSPARTS.COM

MFR35PCAVS - 21 - BASKET & OUTER SHELL ASSEMBLY (SERIES11)



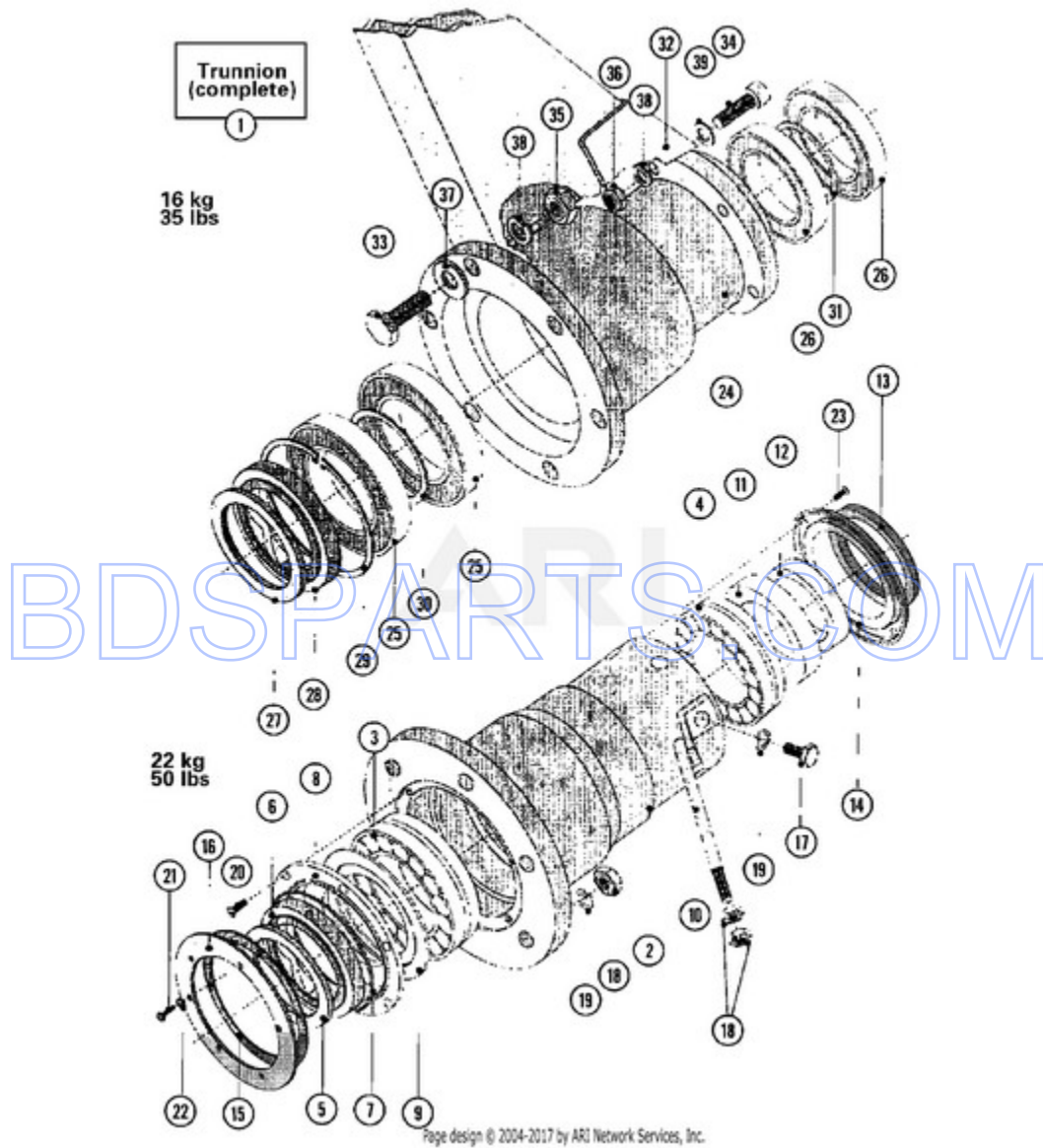
Ref #	Part #	Description	Qty	Context	Note	MSRP
1	NLA	TUB (COMPLETE)	1	Series	11	
2	23003817	DRUM AND SHAFT MFR 35 LU	1	Series	11	
2	23003818	DRUM AND SHAFT MFR 50	-	Series	11	
3	23002934	TUB	1	Series	11	
3	23002971	TUB	-	Series	11	
4	23001193	BACKPLATE (STNLS STEEL)	1	Series	11	
4	23001194	BACKPLATE (STNLS STEEL)	1	Series	11	
4	23002178	PLATE, BASE	-	Series	11	
4	NLA	PLATE, BASE	-	Series	11	
5	23001195	BACKPLATE (IRON)	1	Series	11	
5	23001196	BACKPLATE (IRON)	-	Series	11	
5	23003981	BEARING HOUSING STUD 14MM	-	Series	11	
6	23002935	RING	1	Series	11	
7	23001198	SHIELD	1	Series	11	
8	23001199	GASKET, REAR SHELL (24 HOLES)	1	Series	11	
9	23001200	HINGE, MIRCO SWITCH	1	Series	11	
10	23001594	BLIND, HEATING ELEMENT	3	Series	11	
11	23001592	ADAPTOR	1	Series	11	
12	23002179	WASHER	1	Series	11	
13	23002936	NUT, SENSOR BUSHING	1	Series	11	
14	23002358	WASHER (M8)	24	Series	11	
15	23001607	NUT (M8)	24	Series	11	
16	23001203	WASHER (DIA. 16 X 8.4 X 1.6)	24	Series	11	
17	23002617	SCREW (M4X8)	4	Series	11	
18	23001204	WASHER, FINISHING (DIA. 5)	4	Series	11	
19	23001088	RUBBER TRIM	1	Series	11	
20	23002847	SCREW (M8X45)	24	Series	11	
21	23001089	SCREW (M4 X 16 CK)	2	Series	11	
22	23001055	NUT (M4)	2	Series	11	
23	23001206	BRACKET, MOTOR HARNESS	3	Series	11	

MFR35PCAVS - 22 - DOOR (SERIES 11)



Ref #	Part #	Description	Qty	Context	Note	MSRP
1	23001161	RING, DOOR	1	Series	11	
2	23001162	NUT, ORNAMENTAL (STNLS STEEL)	2	Series	11	
3	23001163	GLASS, DOOR	1	Series	11	
4	23001164	GASKET, DOOR GLASS	1	Series	11	
5	23001165	PLATE, HINGE	1	Series	11	
6	23001166	SHIM, HINGE PLATE	3	Series	11	
7	12001189	PANEL KIT, FRONT HANDLE, FRONT & BACK INCLUDED	1	Series	14	
7	23001510	HANDLE, DOOR	1	Series	11	
8	23003634	LEVER, DOOR	1	Series	14	
8	NLA	LEVER, HANDLE	1	Series	11	
9	23001168	SHAFT, LEVER	1	Series	11	
10	23001169	SPRING, HANDLE LEVER	1	Series	11	
11	23001057	SPEEDNUT (M3)	1	Series	11	
12	23001171	BASE, HINGE	1	Series	11	
13	23001172	SHAFT, DOOR HINGE	1	Series	11	
14	23001173	HANDLE, LEVER PLATE	1	Series	11	
15	23002937	SCREW (M6X26)	2	Series	11	
16	23001176	NUT (M6 STAINLESS STEEL)	1	Series	14	
16	23002280	NUT M6	2	Series	11	
17	23002130	WASHER (6)	6	Series	11	
18	23001643	WASHER (M6)	6	Series	11	
19	23001177	SCREW (M4 X 10)	1	Series	14	
19	23001621	SCREW (M4X12) LU	1	Series	11	
20	23001178	MICROSWITCH, ACTIVATING PLATE	1	Series	11	
21	23001781	BOLT (M4X10)	2	Series	11	
22	23001708	WASHER (5.3)	2	Series	11	
23	23001181	RETAINING RING (DIA. 8)	1	Series	11	
24	23002279	BOLT (M6X20)	2	Series	11	
25	23001185	DOORSEAL, TENSION RING	1	Series	11	
26	23001186	DOORSRING, TENSION SPRING	1	Series	11	

MFR35PCAVS - 23 - BEARINGS & TRUNNION (SERIES 11)

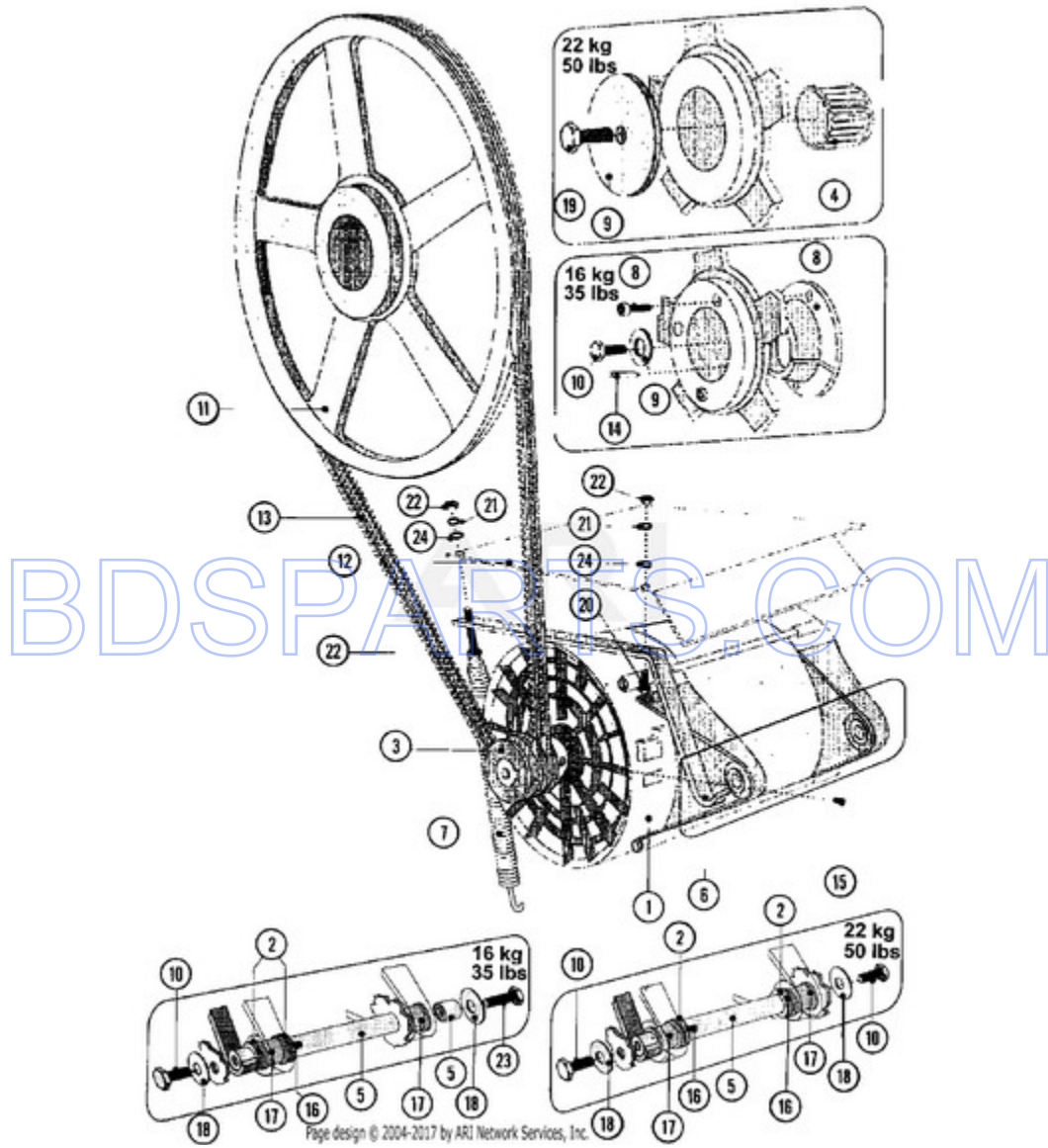


Ref #	Part #	Description	Qty	Context	Note	MSRP
1	23002938	TRUNNION	1	Series	11	
1	23002972	TRUNNION	-	Series	11	
2	23001209	TRUNNION (CASTING ONLY)	-	Series	11	
2	23003981	BEARING HOUSING STUD 14MM	6	Series	11	
3	23001210	FRONT BEARING	-	Series	11	
4	23001211	REAR BEARING	-	Series	11	
5	23001212	SEAL RING	-	Series	11	
6	23001213	WATER SEAL	-	Series	11	
7	23001214	O-RING	-	Series	11	
8	23001215	HOLDER, WATER SEAL	-	Series	11	
9	23001216	SHEILD BEARING	-	Series	11	
10	23002973	ROD, TENSION	-	Series	11	
11	23002974	RING, DISTANCE (STNLS)	-	Series	11	
12	23001219	BUSHING, BRASS	-	Series	11	
13	23001220	SEAL, AXIAL	-	Series	11	
14	23001221	SEAL, AXIAL HOLDER	-	Series	11	
15	23001222	GASKET, RUBBER	-	Series	11	
16	23001223	RING, CLAMP (STNLS STEEL)	-	Series	11	
17	23002975	SCREW (M14X25)	-	Series	11	
18	23002976	NUT (M4)	-	Series	11	
19	23002792	WASHER (14)	-	Series	11	
20	23001227	SCREW (M4 X 10 STNLS STEEL)	-	Series	11	
21	23002353	SCREW (M6X12)	-	Series	11	
22	23001228	RING, SEAL (DIA. 14 X 6.5 X 1)	-	Series	11	
23	23002977	SCREW (M6X10PK)	-	Series	11	
24	23001230	TRUNNION (CASTING ONLY)	1	Series	11	
25	23001231	BEARING (6209 2RS C3)	2	Series	11	
26	23001232	BEARING (REAR)	2	Series	11	
27	23001233	RING, SEAL	1	Series	11	
28	23001234	SEAL, WATER	1	Series	11	
29	23001235	RING, INTERNAL SNAP	1	Series	11	
30	23001236	SPACER RING (FRONT BEARING)	1	Series	11	
31	23001237	SPACER RING (REAR BEARING)	1	Series	11	
32	23002939	SPOKE (COMPLETE)	6	Series	11	
33	23002940	SCREW (M10X35)	6	Series	11	
34	23002941	SCREW (M10X40)	6	Series	11	
35	23001661	NUT M10	6	Series	11	
36	23002356	NUT (M10)	6	Series	11	
37	23001201	WASHER (DIA. 22X11X1 BRASS)	6	Series	11	

Ref #	Part #	Description	Qty	Context Note	MSRP
38	23001400	LOCK WASHER, SPRING	12	Series 11	
39	23002655	WASHER (10/5)	6	Series 11	

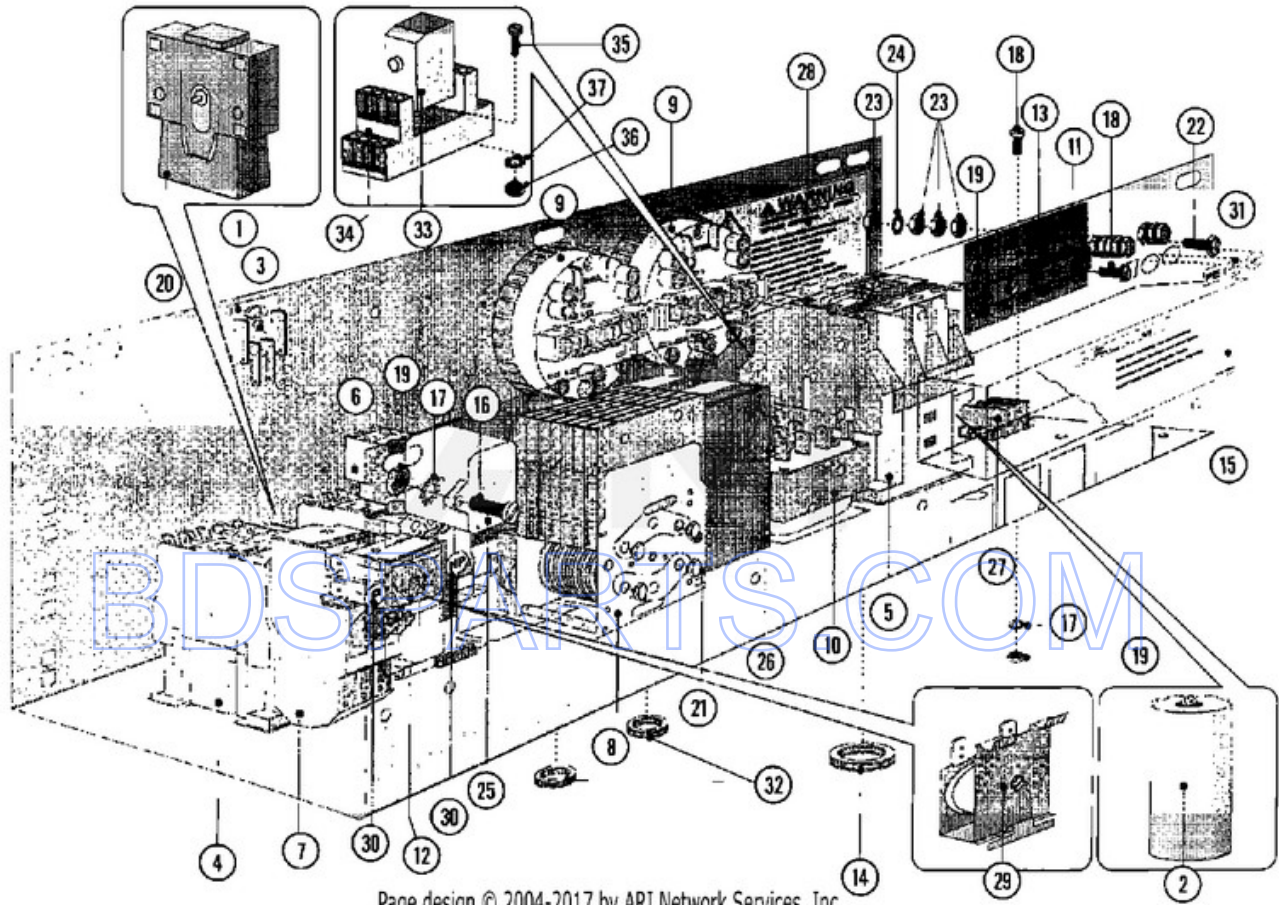
BDSPARTS.COM

MFR35PCAVS - 24 - MOTOR & BASKET PULLEY (SERIES 11)



Ref #	Part #	Description	Qty	Context	Note	MSRP
1	23001269	MOTOR (SINGLE PHASE-240/208V)	1	Series	11	
1	23001270	MOTOR (THREE PHASE-240V/208V)	-	Series	11	
1	23001271	MOTOR (THREE PHASE 240/208V)	-	Series	11	
2	23002925	SHAFT, SLIDING RING MOTOR	2	Series	11	
3	23001273	V-PULLEY (DIA. 53 X PZ 60HZ)	1	Series	11	
4	23001274	RING, TOLERANCE	-	Series	11	
5	23002926	SHAFT, MOTOR	1	Series	11	
5	23002927	SHAFT, EXTENSION MOTOR (MONO)	1	Series	11	
5	23002969	SHAFT, MOTOR	-	Series	11	
6	23001278	BELT TENSIONER (SINGLE PHASE)	1	Series	11	
7	23001279	BELT, TENSION SPRING	1	Series	11	
8	23001280	BUSHING, TAPERED (W/KEY SLOT)	1	Series	11	
9	23001281	WASHER (DIA. 90 X 10)	-	Series	11	
9	23001282	WASHER (DIA. 37 X 13 X 3)	1	Series	11	
10	23002661	SCREW (M12 X 35)	3	Series	11	
11	23001284	BASKET PULLEY (DIA. 450)	1	Series	11	
11	23001285	BASKET PULLEY (DIA. 450)	-	Series	11	
12	23002928	MOTOR, PROTECTION SHIELD	1	Series	11	
13	23001287	V-BELT (XPZ X 1950)	3	Series	11	
14	23001288	BASKET PULLEY KEY (10 X 8X 60)	1	Series	11	
15	23002929	SCREW, SOCKET SET (M8X10)	2	Series	11	
16	23002930	SCREW, SOCKET SET (M6X6)	2	Series	11	
17	23001291	BUSHING, RUBBER MOTOR MOUNT	2	Series	11	
18	23002657	WASHER (13)	2	Series	11	
19	23002931	SCREW (M14X50)	-	Series	11	
20	23002475	BOLT (M8X20)	1	Series	11	
21	23002932	LOCKWASHER, SPRING	2	Series	11	
22	23002399	NUT(M4)	3	Series	11	
23	23002846	SCREW (M12X70)	1	Series	11	
24	23002653	WASHER (8/6)	2	Series	11	

MFR35PCAVS - 25 - ELECTRICAL COMPONENTS (SERIES 11)



Ref #	Part #	Description	Qty	Context	Note	MSRP
1	23001094	BRIDGE, RECTIFIER	2	Series	11	
2	23001096	CAPACITOR (60MF)	3	Series	11	
2	23001098	CAPACITOR (130MF)	2	Series	11	
3	23001099	PC BOARD SOCKET	2	Series	11	
4	23001100	CONTACTOR (LC1-D0901 M7)	1	Series	11	
4	23001101	CONTACTOR (LC1-D1201 M7)	2	Series	11	
5	23001102	CONTACTOR (LC1-D1801 M7)	1	Series	11	
5	23001103	CONTACTOR (LC1-D3201 M7)	1	Series	11	
5	23001340	CONTACTOR (LC1-D4011)	1	Series	11	
6	23001104	AUXILIARY CONTACT (1NO-1NC)	1	Series	11	
7	23001105	RELAY, THERMAL OVERLOAD (9-13A)	1	Series	11	
7	23001106	RELAY, THERMAL OVERLOAD (4-6A)	1	Series	11	
7	23001108	RELAY, THERMAL OVERLOAD (7-10A)	1	Series	11	
7	23002101	RELAY, OVERLOAD (LR2-D1312)	1	Series	11	
8	23001110	TIMER, REVERSING (PR1840)	1	Series	11	
9	23001111	SWITCH, WATER LEVEL	1	Series	11	
9	23001513	SWITCH, WATER LEVEL	1	Series	20	
9	23002176	SWITCH, WATER LEVEL	1	Series	11	
10	23002460	THERMOSTAT (4 TEMP)	1	Series	11	
11	23002154	BOARD, TERMINAL (6 POLES)	1	Series	11	
12	23001114	ROCKER SWITCH, PREWASH/NO PREW	1	Series	11	
13	23001115	INSULATION PAPER	1	Series	11	
14	23001117	RING, RUBBER (DIA. 25)	1	Series	11	
15	23001118	STICKER, LIQUID SOAP	1	Series	11	
16	23002423	SCREW (M4X10)	4	Series	11	
17	23002111	WASHER (4)	4	Series	11	
18	23002398	SCREW (M4X16)	4	Series	11	
19	23002399	NUT(M4)	6	Series	11	
20	23001119	MECHANICAL INTERLOCK, CONTACTO	1	Series	11	
21	23002952	SCREW (M4X4)	4	Series	11	
22	23002806	SCREW (M6X25)	3	Series	11	
23	23001515	NUT (M6)	9	Series	11	
24	23001734	WASHER (M6)	3	Series	11	
25	NLA	MEMBER, RC	2	Series	11	
26	23002348	TRANSFORMER, CONTROL CIRCUIT	1	Series	11	
27	23002959	CONNECTOR	1	Series	11	
28	23001465	STICKER, ELECTRICITY WARNING	1	Series	11	
29	23002955	BUZZER	1	Series	11	
30	NLA	STICKER	1	Series	11	
31	NLA	LABEL, EARTH	2	Series	11	
32	23001138	BUSHING, CABLE PASSAGE	2	Series	11	
33	23002956	SCHRACH, RELAY	1	Series	11	
34	23002957	BASE, RELAY	1	Series	11	
35	23002906	SCREW (M3X25)	2	Series	11	
36	23002958	NUT M3	2	Series	11	
37	23002865	LOCK WASHER (M3)	2	Series	11	