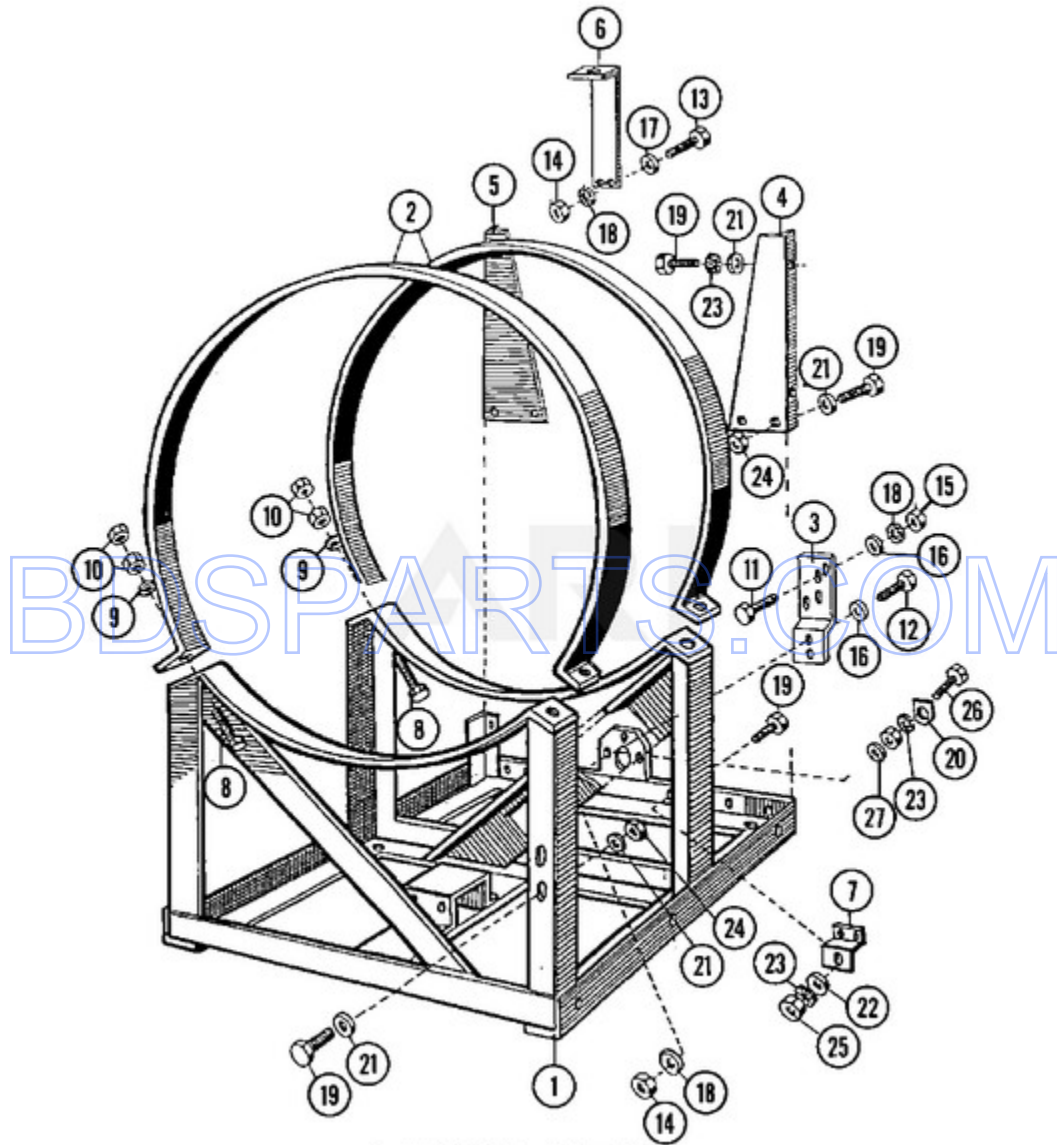
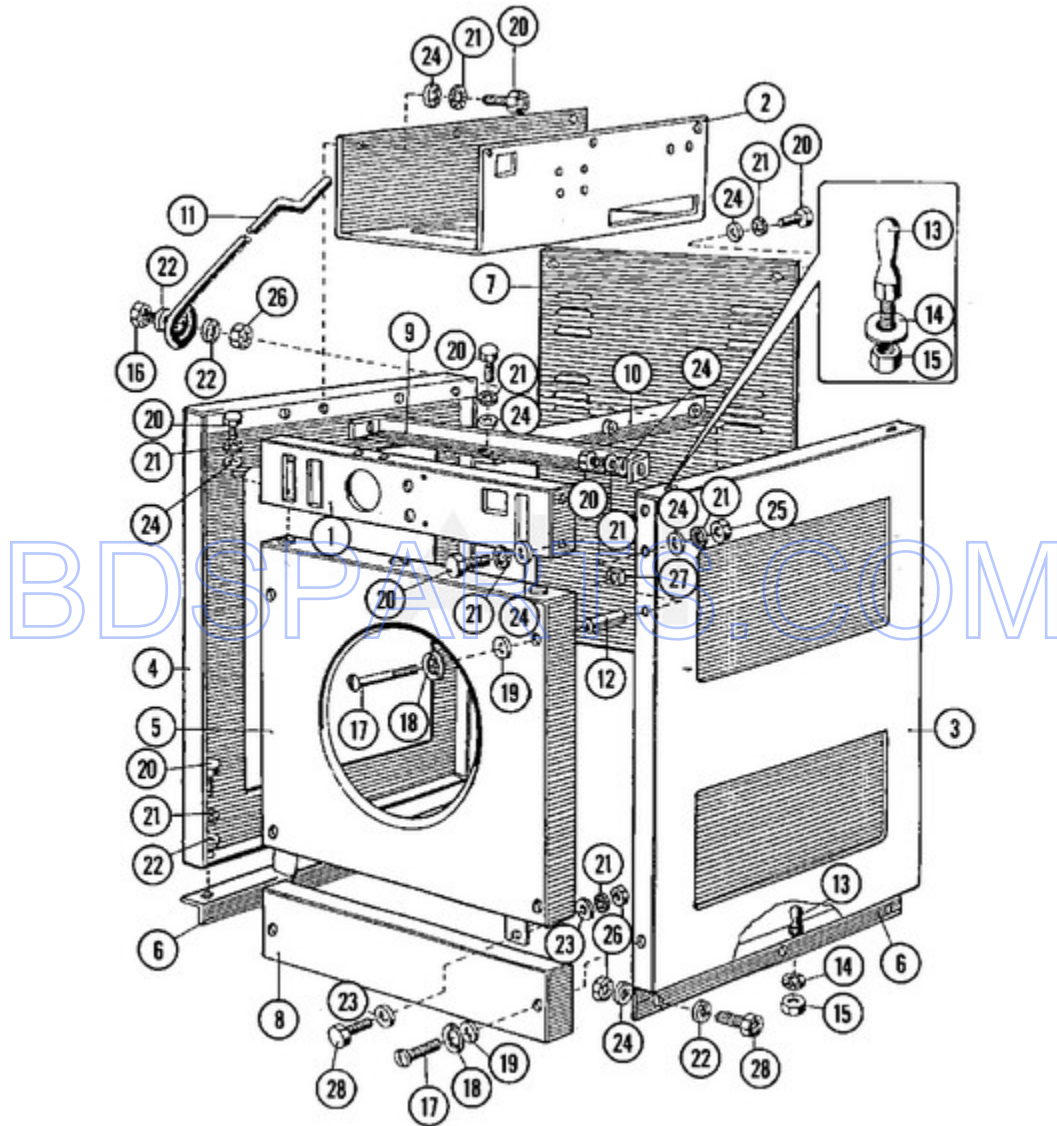


MFR35PDATS - 01 - BASE FRAME



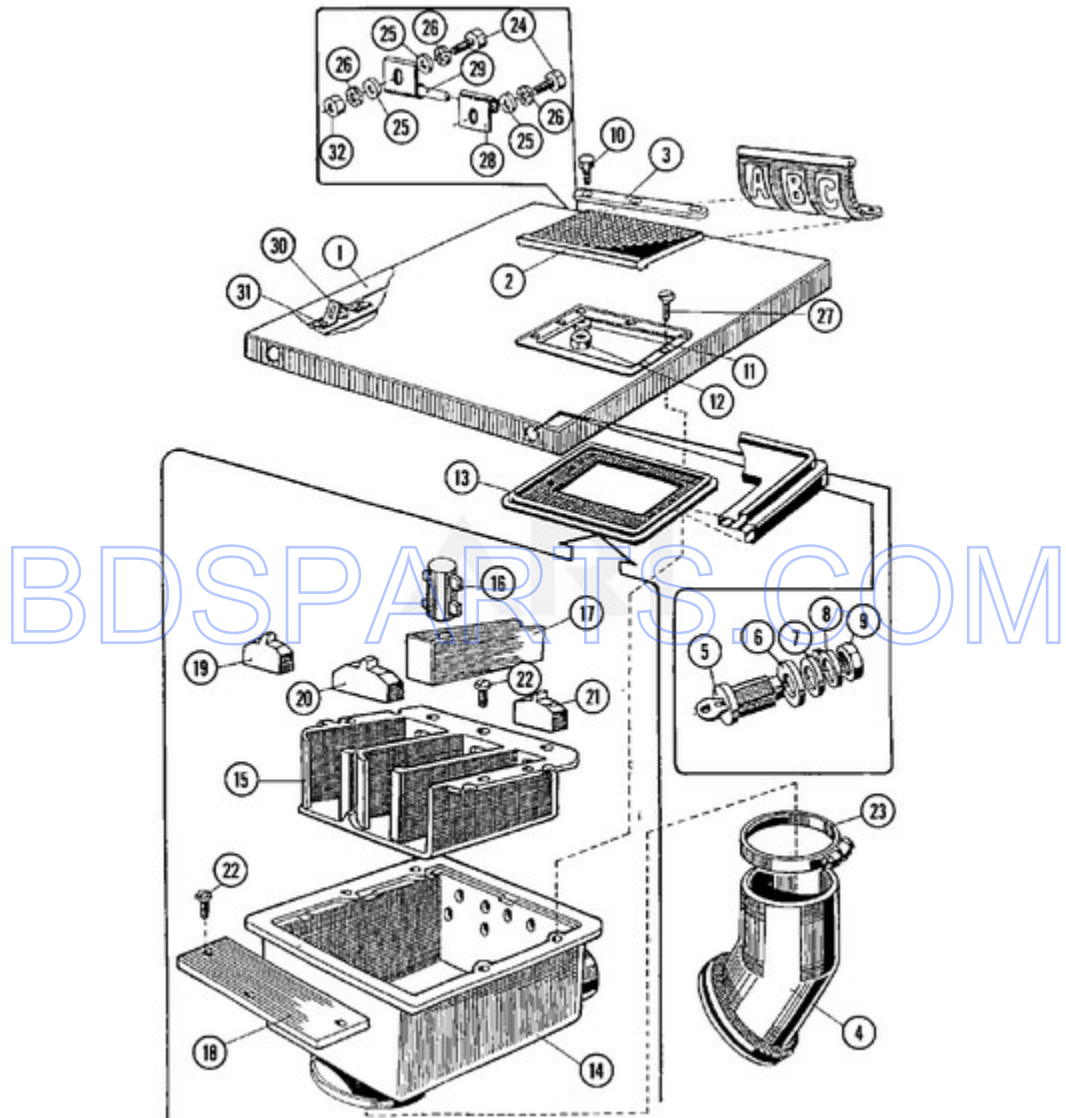
Ref #	Part #	Description	Qty	Context	Note	MSRP
1	23002840	FRAME	1	Series	10	
2	23001297	CLAMP, TUB	2	Series	10	
3	23001298	BRACE, TUB SUPPORT	1	Series	10	
4	23001299	PANEL, SUPPORT BRACKET (RT)	1	Series	10	
5	23001300	PANEL, SUPPORT BRACKET (LT)	1	Series	10	
6	W10124350	NOT REQUIRED PART OR SEE NOTE	-	Series	10	
7	23001302	BRACKET	2	Series	10	
8	23001294	BOLT (M12 X 70)	4	Series	10	
8	23002931	SCREW (M14X50)	4	Series	16	
9	23001292	WASHER (13)	4	Series	10	
9	23002258	WASHER M14	4	Series	16	
10	23001303	NUT (M12)	8	Series	10	
10	23003746	NUT, M14	8	Series	16	
11	23001205	BOLT (M8 X 45)	2	Series	10	
12	23001304	BOLT (M8 X 35)	2	Series	10	
13	23001305	BOLT M8X25	2	Series	10	
14	23001266	NUT (M8)	4	Series	10	
15	23001306	LOCKING NUT, SELF	2	Series	10	
16	23001263	WASHER (8.4)	4	Series	10	
17	23001203	WASHER (DIA. 16 X 8.4 X 1.6)	6	Series	10	
18	23001265	WASHER (8)	6	Series	10	
19	23001307	BOLT (M6 X 20)	10	Series	10	
20	23001308	HARDWARE, GROUNDING	2	Series	10	
21	23001309	WASHER (6.4) LU	12	Series	10	
22	23001027	WASHER (DIA. 12 X 6.5 X 1.6)	2	Series	10	
23	23001028	LOCKWASHER (EXTERNAL TEETH M6)	8	Series	10	
24	23001310	NUT, SELF LOCKING (M6)	4	Series	10	
25	23001034	NUT (M6)	2	Series	10	
26	23001157	BOLT (M6 X 12 STNS STEEL)	2	Series	10	
27	23001159	WASHER (DIA. 14X8.6X1 STNLS)LU	2	Series	10	

MFR35PDATS - 02 - CABINET



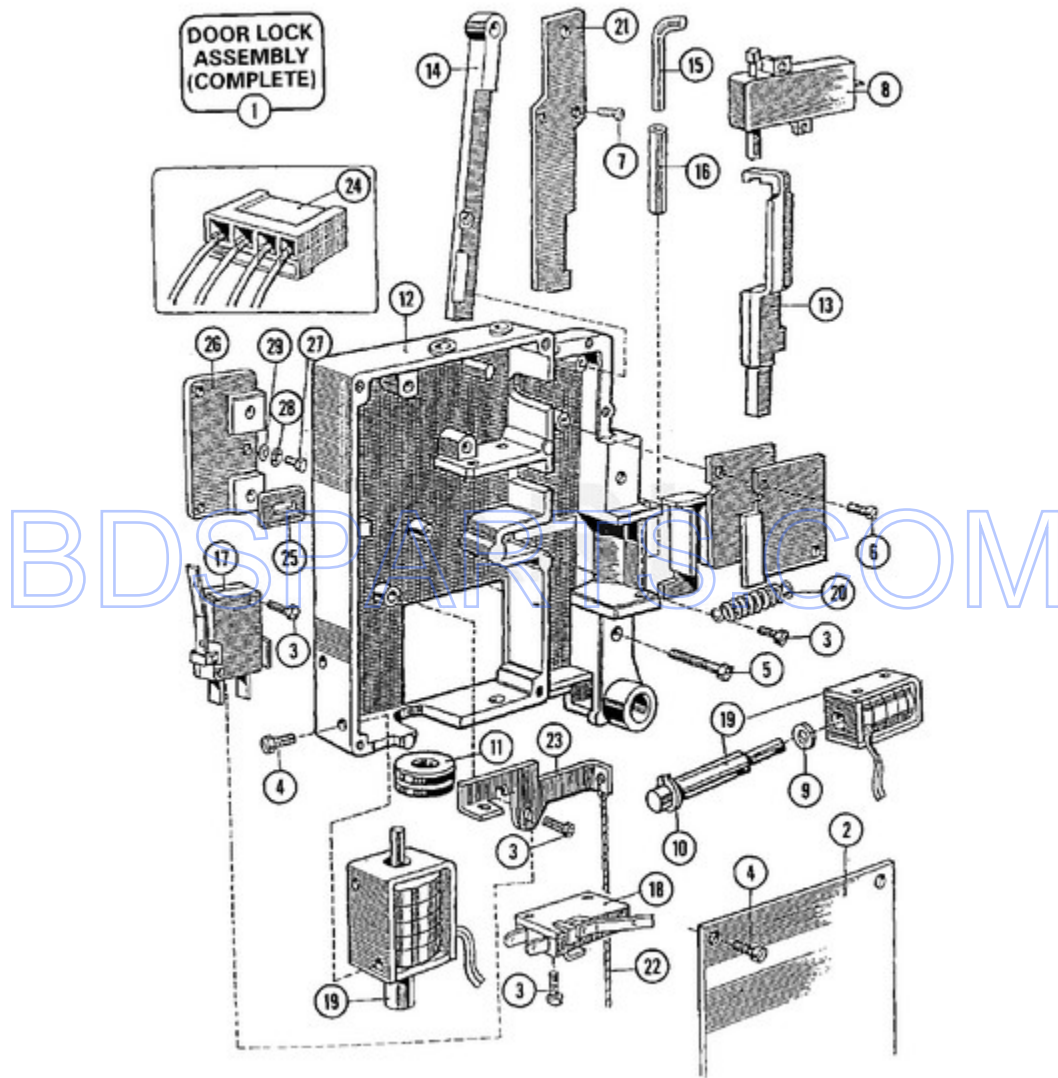
Ref #	Part #	Description	Qty	Context	Note	MSRP
1	23003637	PANEL, CONTROL (35/50)	1	Series	10	
2	23001314	TRAY, ELEC. COMPONENTS	1	Series	10	
3	23001316	PANEL, SIDE (RT)	1	Series	10	
4	23001318	PANEL, SIDE (LT)	1	Series	10	
5	23001320	PANEL, FRONT (COIN)	1	Series	10	
6	23001321	SUPPORT, PANEL (RT)	1	Series	10	
6	23001322	SUPPORT, PANEL (LT)	1	Series	10	
7	23001325	PANEL (REAR)	1	Series	10	
8	23001326	PANEL, ACCESS (LWR)	1	Series	10	
9	23001327	BEAM, CROSS	1	Series	10	
10	23001328	BRACE	1	Series	10	
11	23001330	ROD, TOP PANEL SUPPORT	1	Series	10	
12	23001331	SPACER, PANEL	1	Series	10	
13	23001332	PIN, SRV	1	Series	10	
14	23001333	LOCK WASHER (M5) LU	1	Series	10	
15	23001334	NUT (M5) LU	1	Series	10	
16	23001335	BOLT (M6X25)	1	Series	10	
17	23001336	SCREW (M6 X 50)	1	Series	10	
18	23001337	WASHER, FINISHING	1	Series	10	
19	23001338	WASHER, FIBER (DIA. 15X7X3)	1	Series	10	
20	23001026	BOLT (M6 X 16)	1	Series	10	
21	23001028	LOCKWASHER (EXTERNAL TEETH M6)	1	Series	10	
22	23001309	WASHER (6.4) LU	1	Series	10	
23	23001309	WASHER (6.4) LU	1	Series	10	
24	23001027	WASHER (DIA. 12 X 6.5 X 1.6)	1	Series	10	
25	23001034	NUT (M6)	1	Series	10	
26	23001310	NUT, SELF LOCKING (M6)	1	Series	10	
27	23001339	NUT, CAGE	1	Series	10	
28	23001335	BOLT (M6X25)	1	Series	10	
29	23001548	HOLDER, CAPACITOR	-	Series	10	

MFR35PDATS - 03 - SOAP BOX & TOP COVER ASSEMBLY



Ref #	Part #	Description	Qty	Context	Note	MSRP
1	23001001	COVER, TOP (STNLS STEEL)	1	Series	10	
2	23001003	RUBBER COVER, SOAP BOX	1	Series	10	
3	23001004	CLAMP, SOAP BOX COVER	1	Series	10	
4	23001005	RUBBER HOSE, SOAP BOX	1	Series	10	
5	23001006	LOCK, TOP PANEL	2	Series	10	
6	23001007	WASHER, FIBER	2	Series	10	
7	23001008	NUT, LOCK (LARGE)	2	Series	10	
8	23001009	HOOK, LOCK (SHORT)	2	Series	10	
9	23001011	NUT	2	Series	10	
10	23001012	SCREW (M4 X 12 STNLS STEEL)	3	Series	10	
11	23001636	SPRING, LOCKWASHER (4)	3	Series	10	
12	23001014	NUT M4	3	Series	10	
13	23001015	RUBBER SEAL, SOAP BOX	1	Series	10	
14	23001016	HOUSING, SOAP BOX	1	Series	10	
15	23001017	INSERT, SOAP BOX	1	Series	10	
16	23001018	SIPHON	1	Series	10	
17	23001019	TRAY	1	Series	10	
18	23001020	COVER, PLATE	1	Series	10	
19	23001021	DRAWER, PREWASH	1	Series	10	
19	23002318	SCREW, PAN HEAD (SLOTTED)	1	Series	10	
20	23001022	DRAWER, MAIN WASH	1	Series	10	
21	23001023	DRAWER, LAST RINSE	1	Series	10	
22	23001024	SCREW (3.5 X 9.5)	8	Series	10	
23	23001025	CLAMP, HOSE (DIA 90/110)	1	Series	10	
24	23001307	BOLT (M6 X 20)	6	Series	10	
25	23001027	WASHER (DIA. 12 X 6.5 X 1.6)	4	Series	10	
26	23001028	LOCKWASHER (EXTERNAL TEETH M6)	4	Series	10	
27	23001029	SCREW (M5 X 15 PK)	1	Series	10	
28	23001030	HINGE, TOP COVER	4	Series	10	
29	23001031	SHAFT, HINGE (10 X 56 BRASS)	2	Series	10	
30	23001032	CLAMP, SRV	2	Series	10	
31	23001033	RIVETS, BLIND (DIA. 3.2 X 8)LU	4	Series	10	
32	23001034	NUT (M6)	1	Series	10	
33	23001550	STICKER, SERVICE WARNING	1	Series	10	

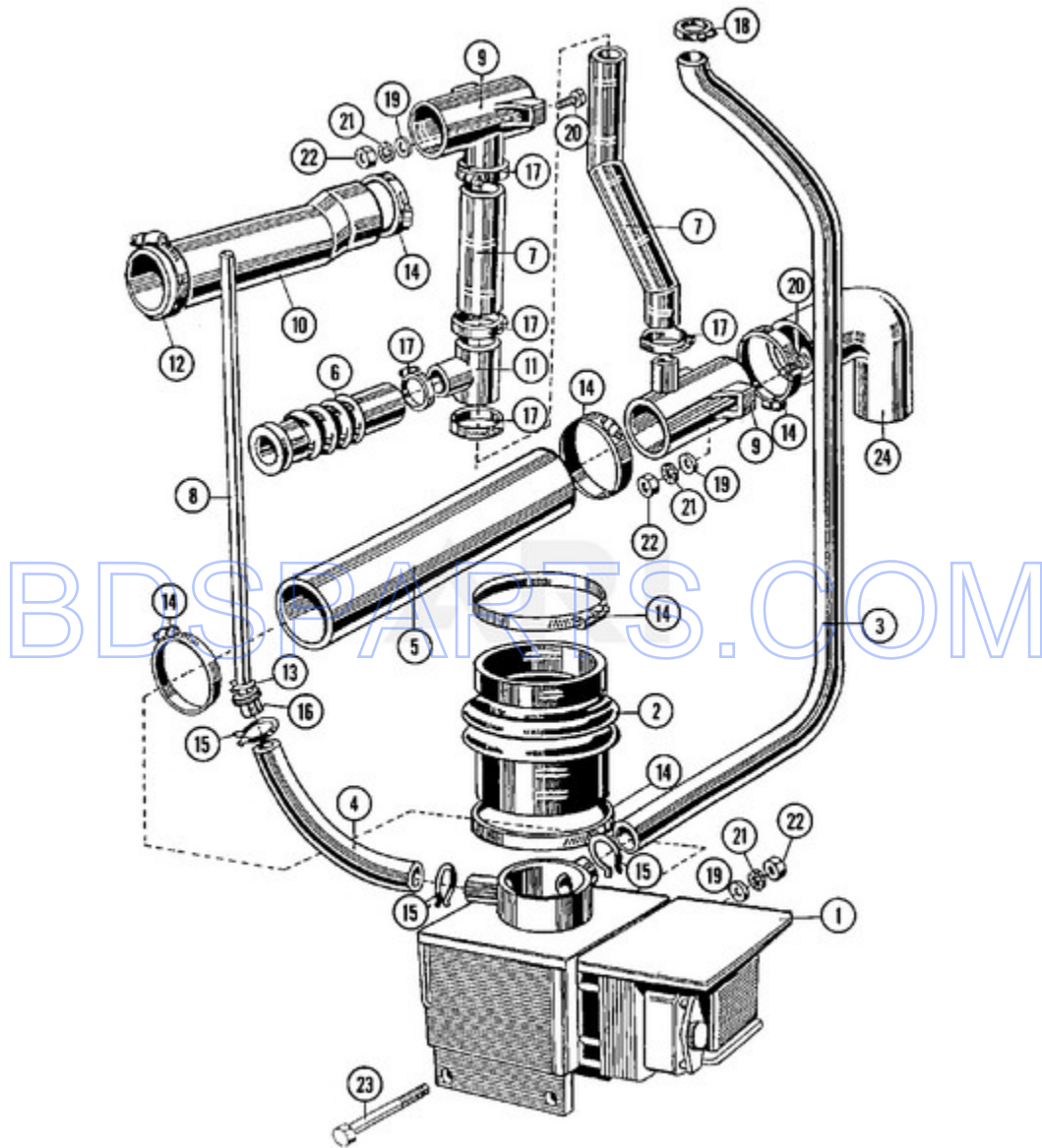
MFR35PDATS - 04 - DOOR LOCK ASSEMBLY



Ref #	Part #	Description	Qty	Context	Note	MSRP
1	Y23002897	LOCK, DOOR (COMPLETE)	1	Series	10	
2	23001130	PLATE, COVER (STNLS STEEL)	1	Series	10	
3	23001131	SCREW (M3 X 14 CROSS RECESSED)	1	Series	10	
4	23001132	SCREW (M3 X 4 CROSS RECESSED)	1	Series	10	
5	23001133	SCREW (M5 X 25 STNLS STEEL)	1	Series	10	
6	23001070	SCREW (M4X10)	1	Series	10	
7	23001134	BOLT (M3 X 6)	1	Series	10	
8	23001135	BIMETAL, ACTUATOR (230V)	1	Series	10	
9	23001136	WASHER (DIA. 5.1 X 3.3 X 0.1)	1	Series	10	
10	23001137	RING, RETAINING (G10)	1	Series	10	
11	23001138	BUSHING, CABLE PASSAGE	1	Series	10	
12	23001139	HOUSING, DOOR LOCK	1	Series	10	
13	23001140	BAR, LOCKING	1	Series	10	
14	23001141	BAR, HANDLE LATCH	1	Series	10	
15	23001142	RETAINER, LOCK TUBE (DIA.4X45)	4	Series	10	
16	23001143	TUBE, LOCK (DIA. 4X23.5 STNLS)	1	Series	10	
17	23001144	MICROSWITCH, LEVER (SHORT)	1	Series	10	
18	23001145	MICROSWITCH, LEVER (LONG)	1	Series	10	
19	23001146	COIL (240V)	1	Series	10	
19	23001147	COIL (120V)	1	Series	10	
20	23001148	COIL SPRING, HANDLE LATCH BAR	1	Series	10	
21	23001149	LEAF SPRING, LATCH BAR	1	Series	10	
22	23001152	CORD, EMERGENCY OPENING	1	Series	10	
23	23001153	LEVER, EMERGENCY OPENING	1	Series	10	
24	23001154	WIRING HARNESS, DOORLOCK (OPL)	1	Series	10	
25	23001155	SHIM	1	Series	10	
26	23001156	SPACER, LOCK	1	Series	10	
27	23001157	BOLT (M6 X 12 STNLS STEEL)	1	Series	10	
28	23001158	SPRING, LOCKWASHER (M6)	1	Series	10	
29	23001159	WASHER (DIA. 14X8.6X1 STNLS)LU	1	Series	10	

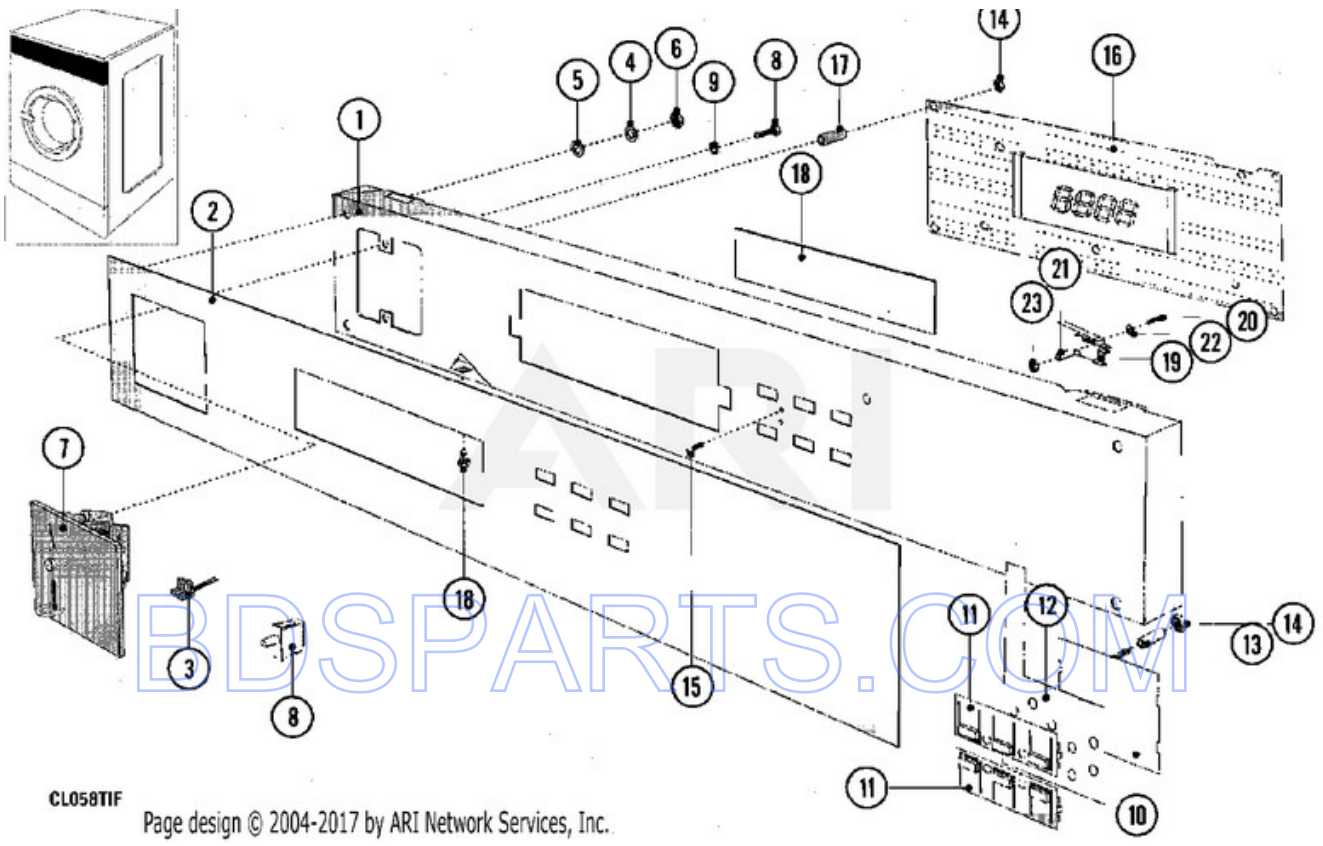


MFR35PDATS - 05 - DRAIN & HOSE ASSEMBLY



Ref #	Part #	Description	Qty	Context Note	MSRP
1	23001244	VALVE, DRAIN (240V-50/60HZ)	1	Series 10	
1	23002321	MOTOR, DRAIN (240V)	1	Series 10	
2	23001245	HOSE, TUB	1	Series 10	
3	23001246	HOSE, BOTTOM FILL	1	Series 10	
4	23001247	HOSE, AIR DOME (30 CM)	1	Series 10	
5	23001249	HOSE, DRAIN	1	Series 10	
6	23001250	HOSE, AIR VENT	1	Series 10	
7	23001251	HOSE, OVERFLOW	1	Series 10	
8	23001252	HOSE, WATER LEVEL SWITCH	1	Series 10	
9	23001253	TEE, DRAIN	1	Series 10	
10	23001254	AIR VENT HOSE, SOAP BOX	1	Series 10	
11	23001255	TEE, OVERFLOW HOSE	1	Series 10	
12	23001256	CLAMP, HOSE (60-80)	1	Series 10	
13	23001257	CLAMP, CORBIN (A5.5)	1	Series 10	
14	23001258	CLAMP, HOSE (70-90)	1	Series 10	
15	23001259	CLAMP, CORBIN (A17.5)	1	Series 10	
16	23001260	BUSHING, AIR DOME HOSE	1	Series 10	
17	23001261	CLAMP, HOSE (32-50)	1	Series 10	
18	23001262	CLAMP, HOSE (20-32)	1	Series 10	
19	23001263	WASHER (8.4)	1	Series 10	
20	23001264	BOLT M8X20	1	Series 10	
21	23001265	WASHER (8)	1	Series 10	
22	23001266	NUT (M8)	1	Series 10	
23	23001267	BOLT (M8 X 120)	1	Series 10	
24	23001268	HOSE, DRAIN (90 DIA.)	1	Series 10	

MFR35PDATS - 06 - CONTROL PANEL

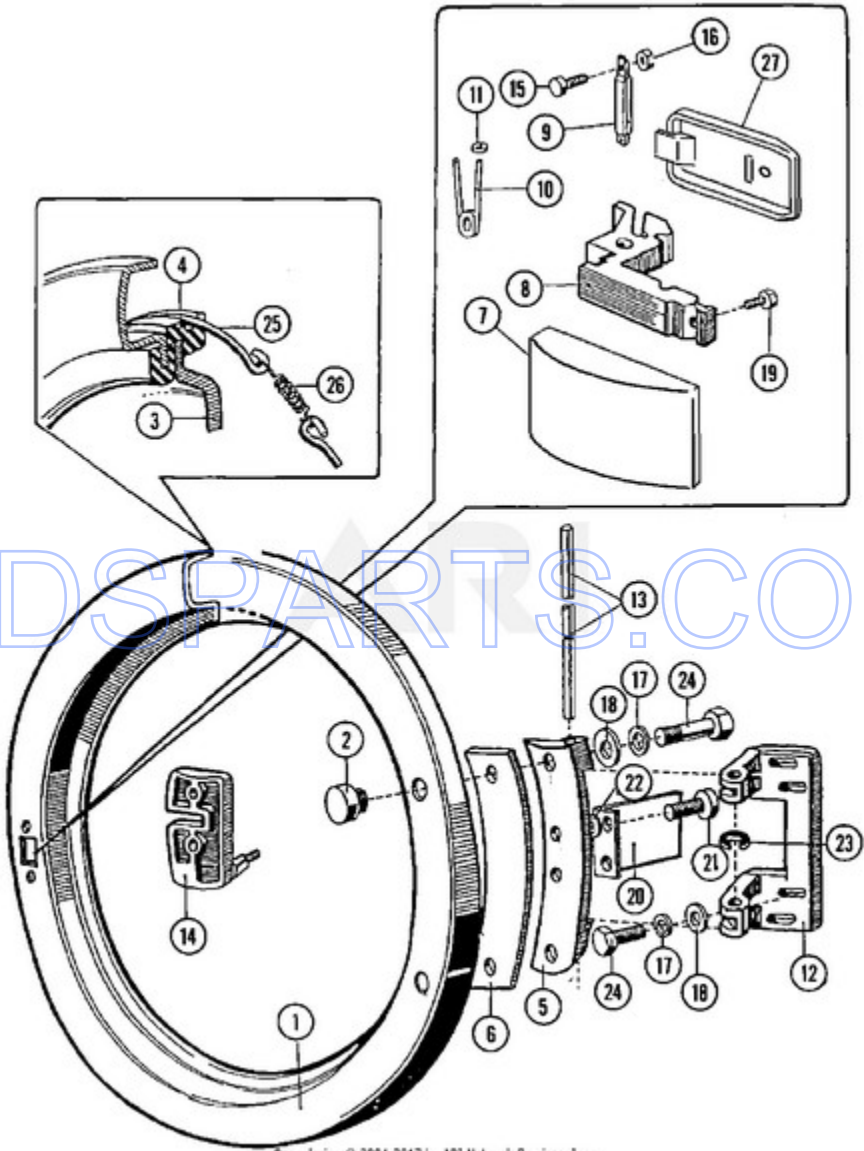


CL058TIF

Page design © 2004-2017 by ARI Network Services, Inc.

Ref #	Part #	Description	Qty	Note
1	23003637	PANEL, CONTROL	1	Series 10
1	23003814	PANEL, CONTROL	1	Series 18
2	23003641	FACIA (35)	1	Series 10
2	23003724	FACIA, CONTROL PANEL MFR35	1	Series 18
3	23003657	SENSOR, OPTIC	1	Series 10
4	23001545	WASHER	4	Series 10
5	23002426	WASHER, LOCK (M4)	4	Series 10
6	23003666	NUT (M4)	4	Series 10
7	23002884	VAULT, COIN (SINGLE) LU	1	Series 10
7	23003644	COIN DROP	1	Series 10
7	23003975	VAULT, COIN MFR35/50	1	Series 23
8	23003656	SWITCH, COIN BOX	1	Series 10
9	23002465	WASHER, LOCK	1	Series 10
10	23003645	HOLDER	1	Series 10
11	23003646	BUTTONS, ROW OF 3	1	Series 10
12	23003647	SWITCH, MEMBRANE	1	Series 10
13	23003648	TUBE	4	Series 10
14	23003649	LOCKNUT, WASHED	8	Series 10
15	23002617	SCREW (M4X8)	4	Series 10
16	23003705	CONTROL BOARD	1	Series 10
17	23003651	TUBE	4	Series 10
18	23003655	COVER, DISPLAY LU	1	Series 10
19	23001145	MICROSWITCH, LONG LEVER	1	Series 10
20	23003652	SCREW, SWITCH	2	Series 10
21	23003653	TUBE	2	Series 10
22	23003654	WASHER (M3)	2	Series 10
23	23002958	NUT M3	2	Series 10

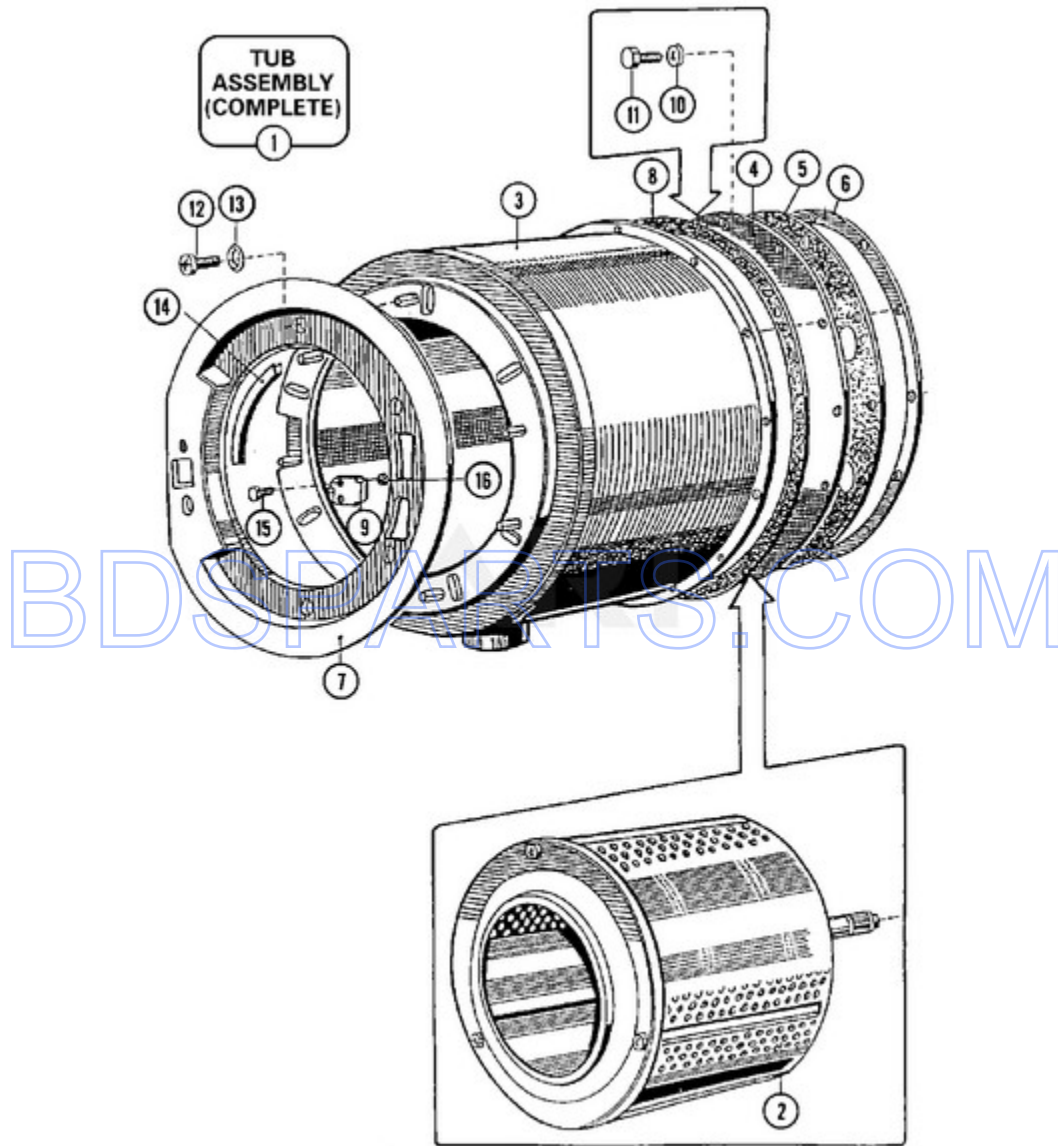
MFR35PDATS - 07 - DOOR



BDS PARTS.COM

Ref #	Part #	Description	Qty	Context	Note	MSRP
1	23001161	RING, DOOR	1	Series	10	
2	23001162	NUT, ORNAMENTAL (STNLS STEEL)	2	Series	10	
3	23001163	GLASS, DOOR	1	Series	10	
4	23001164	GASKET, DOOR GLASS	1	Series	10	
5	23001165	PLATE, HINGE	1	Series	10	
6	23001166	SHIM, HINGE PLATE	3	Series	10	
7	12001889	KIT, DOOR HANDLE ASSEMBLY HANDLE FRONT & BACK INCLUDED	1	Series	14	
7	23003631	HANDLE, DOOR (FRONT)	1	Series	10	
8	23003634	LEVER, DOOR	1	Series	10	
9	23001168	SHAFT, LEVER	1	Series	10	
10	23001169	SPRING, HANDLE LEVER	1	Series	10	
11	23001057	SPEEDNUT (M3)	1	Series	10	
12	23001171	BASE, HINGE	1	Series	10	
13	23001172	SHAFT, DOOR HINGE	1	Series	10	
14	23001173	HANDLE, LEVER PLATE	1	Series	10	
15	23002937	SPRING, LOCKWASHER (M6)	6	Series	10	
16	23001159	WASHER (DIA. 14X8.6X1 STNLS)LU	2	Series	10	
16	23001176	SCREW (M6X20 STNLS STEEL)	2	Series	10	
17	23001176	NUT (M6 STNLS STEEL)	2	Series	10	
18	23001159	WASHER (DIA. 14X8.6X1 STNLS)LU	6	Series	10	
19	23001621	SCREW (M4X12) LU	1	Series	10	
20	23001177	SCREW (M4X10 STNLS STEEL)	1	Series	10	
21	23001179	SCREW (M4X10 STNLS STEEL)	2	Series	10	
22	23001180	WASHER (DIA. 10X5.3X1)	2	Series	10	
23	23001181	RING, RETAINING (DIA. 8)	1	Series	10	
24	23002279	BOLT (M6X16 STNLS STEEL)	2	Series	10	
25	23001185	DOORSEAL, TENSION RING	1	Series	10	
26	23001186	DOORSRING, TENSION SPRING	1	Series	10	
27	23003632	HANDLE, DOOR (BACK) INCLUDED IN PART No. 7	1	Series	10	

MFR35PDATS - 08 - BASKET & OUTER SHELL ASSEMBLY

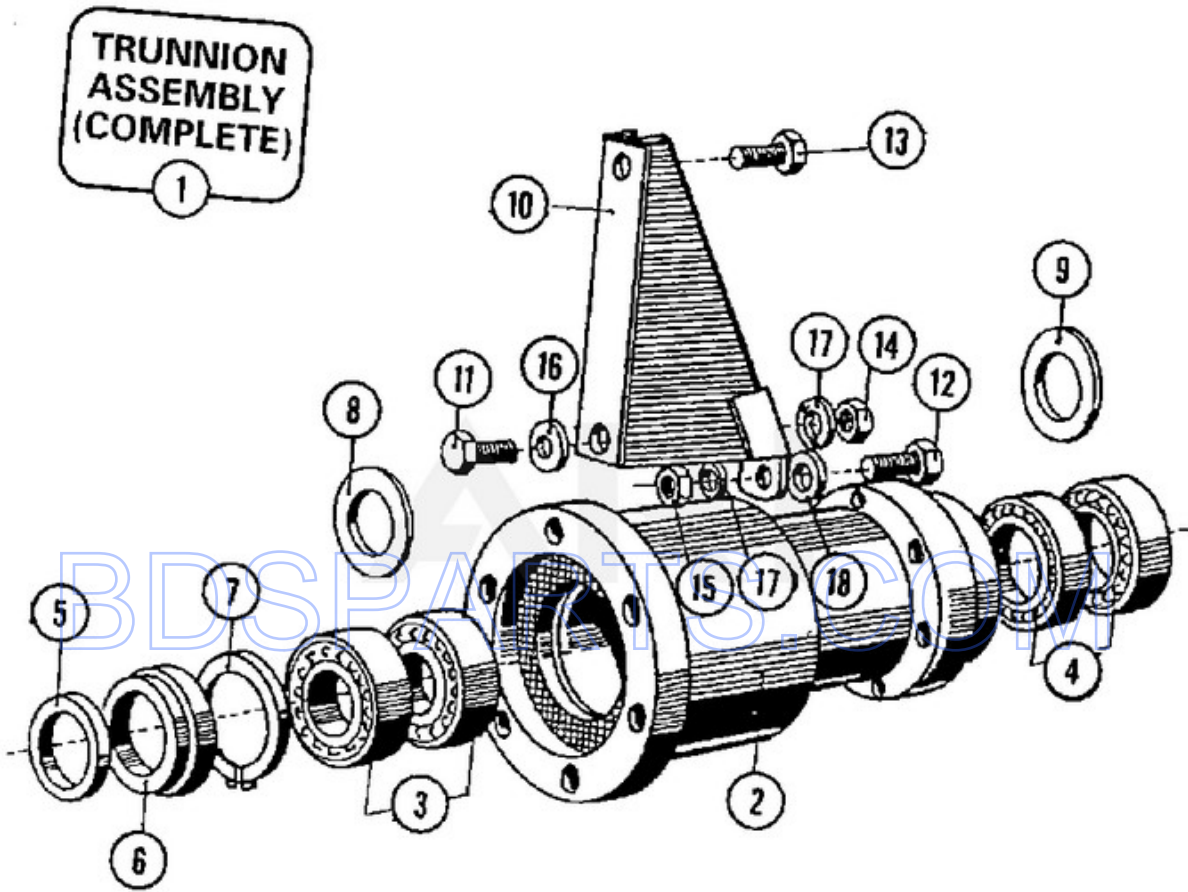


Ref #	Part #	Description	Qty	Context Note	MSRP
1	NLA	TUB (COMPLETE)	1	Series 10	
2	23003817	DRUM AND SHAFT MFR 35 LU	1	Series 10	
3	23001191	SHELL, OUTER	1	Series 10	
4	23001193	BACKPLATE (STNLS STEEL)	1	Series 10	
5	23001195	BACKPLATE (IRON)	1	Series 10	
6	23001197	RING, CLAMP (24 HOLES)	1	Series 10	
7	23001198	SHIELD	1	Series 10	
8	23001199	GASKET, REAR SHELL (24 HOLES)	1	Series 10	
9	23001200	HINGE, MIRCO SWITCH	1	Series 10	
10	23001201	WASHER (DIA. 22X11X1 BRASS)	24	Series 10	
11	23001202	BOLT (M10X35 STNLS STEEL)	24	Series 10	
12	23001177	SCREW (M4 X 8 STNLS STEEL)	4	Series 10	
13	23001204	WASHER, FINISHING (DIA. 5)	4	Series 10	
14	23001088	TRIM, RUBBER	1	Series 10	
15	23001089	SCREW (M4 X 16 CK)	2	Series 10	
16	23001055	NUT (M4)	2	Series 10	

BDS PARTS.COM

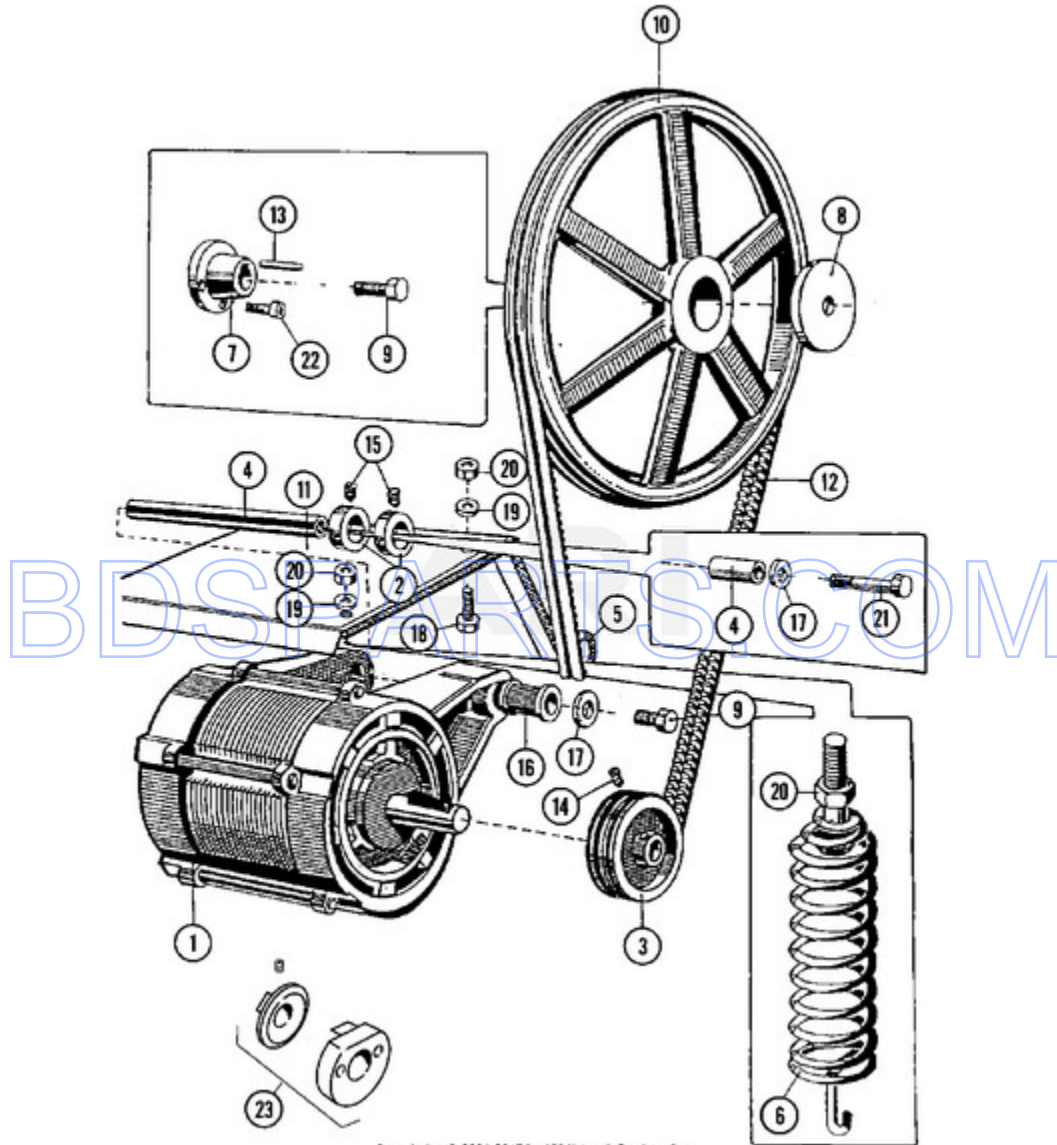


MFR35PDATS - 09 - BEARINGS & TRUNNION ASSEMBLY



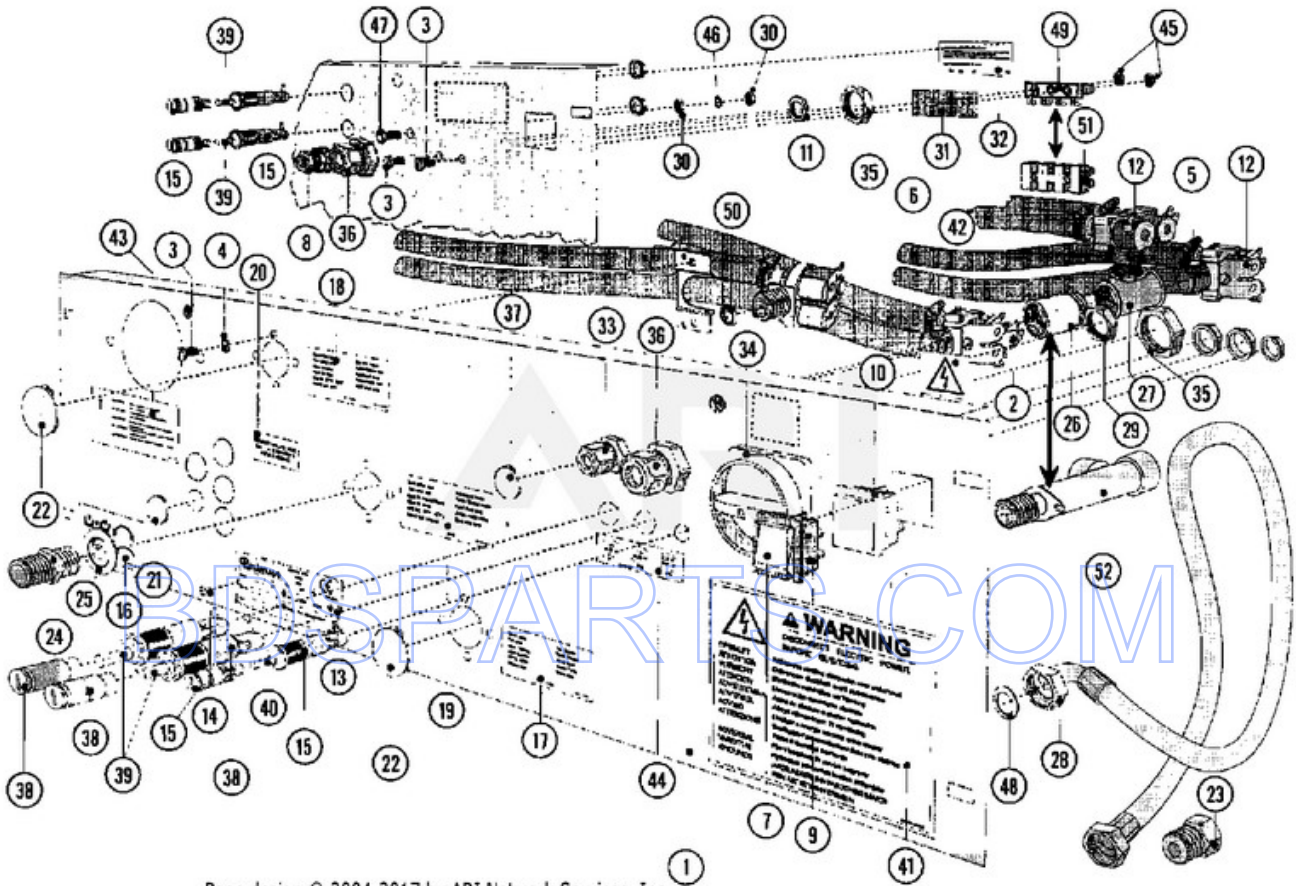
Ref #	Part #	Description	Qty	Context Note	MSRP
1	23001208	TRUNNION ASSEMBLY	1	Series 10	
2	23001230	TRUNNION (CASTING ONLY)	1	Series 10	
3	23001231	BEARING (6209 2RS C3)	1	Series 10	
4	23001232	BEARING (REAR)	1	Series 10	
5	23001233	RING, SEAL	1	Series 10	
6	23001234	SEAL, WATER	1	Series 10	
7	23001235	RING, INTERNAL SNAP	1	Series 10	
8	23001236	SPACER RING (FRONT BEARING)	1	Series 10	
9	23001237	SPACER RING (REAR BEARING)	1	Series 10	
10	23001238	SPOKE	6	Series 10	
11	23001202	BOLT (M10X35 STNLS STEEL)	6	Series 10	
12	23001239	BOLT (M10 X 40)	6	Series 10	
13	23001205	BOLT (M8 X 45)	6	Series 10	
14	23001240	NUT (M10)	6	Series 10	
15	23001241	LOCKING NUT, SELF (M10) LU	6	Series 10	
16	23001201	WASHER (DIA. 22X11X1 BRASS)	6	Series 10	
17	23001242	LOCK WASHER, SPRING (M10)	12	Series 10	
18	23001243	WASHER (DIA. 20 X 10.5 X 2)	6	Series 10	

MFR35PDATS - 10 - MOTOR & BASKET PULLEY



Ref #	Part #	Description	Qty	Context	Note	MSRP
1	23001269	MOTOR (SINGLE PHASE-240/208V)	1	Series	10	
1	23001270	MOTOR (THREE PHASE-240V/208V)	-	Series	10	
2	23002925	SHAFT, SLIDING RING MOTOR	2	Series	10	
3	23001273	V-PULLEY (DIA. 53 X PZ 60HZ)	1	Series	10	
4	23002926	ROD, MOTOR SUPPORT	1	Series	10	
4	23002927	SHAFT, EXTENSION MOTOR (MONO)	1	Series	10	
5	23001278	TENSIONER, BELT	1	Series	10	
6	23001279	BELT, TENSION SPRING	1	Series	10	
7	23001280	BUSHING, TAPERED (W/KEY SLOT)	1	Series	10	
8	23001282	WASHER (DIA. 37 X 13 X 3)	1	Series	10	
9	23001283	BOLT (M12 X 35)	3	Series	10	
10	23001284	PULLEY, BASKET (DIA. 450)	1	Series	10	
11	23002928	MOTOR, PROTECTION SHIELD	1	Series	10	
12	23001287	V-BELT (XPZ X 1950)	1	Series	10	
13	23001288	KEY, BASKET PULLEY(10 X 8X 60)	1	Series	10	
14	23001289	SCREW, ALLEN SET (M8 X 10)	2	Series	10	
15	23001290	SCREW, ALLEN SET (M6 X 6)	2	Series	10	
16	23001291	BUSHING, RUBBER MOTOR MOUNT	2	Series	10	
17	23001292	WASHER (13)	2	Series	10	
18	23001264	BOLT M8X20	1	Series	10	
19	23001265	WASHER (8)	2	Series	10	
20	23001266	NUT (M8)	3	Series	10	
21	23001294	BOLT (M12 X 70)	1	Series	10	
22	23002336	BOLT, SOCKET HD (M12 X 50)	2	Series	10	
23	23002317	SWITCH, CENTRIFUGAL	1	Series	10	

MFR35PDATS - 11 - WATER VALVE & REAR PANEL

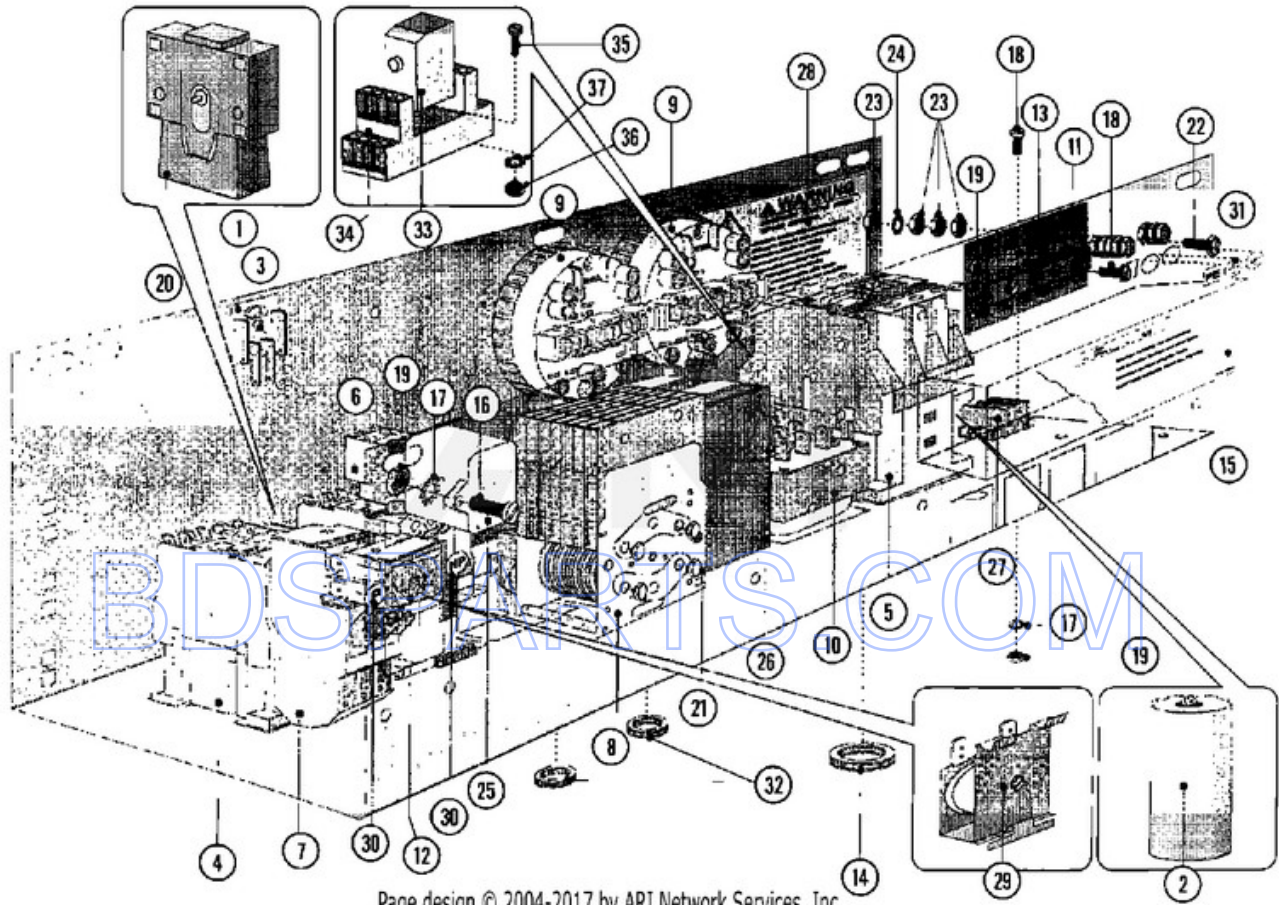


Ref #	Part #	Description	Qty	Context	Note	MSRP
1	23002909	BRIDGE, REAR	1	Series	10	
2	23001533	VALVE, THREE-WAY	1	Series	10	
3	23002423	SCREW (M4X10)	4	Series	10	
4	23002111	WASHER (4)	4	Series	10	
5	23001506	CLAMP, HOSE	14	Series	10	
6	23001507	WATERHOSE (GREEN)	1	Series	10	
7	23001532	COVER, BUTTON (PLASTIC)	-	Series	10	
8	23001453	NUT, SWIVEL (PG9)	1	Series	10	
9	23001529	BUTTON (RAPID ADVANCE)	-	Series	10	
10	23001452	PLUG (WHT)	1	Series	10	
11	23001450	SWIVEL (PG9)	1	Series	10	
12	23001455	VALVE, TWO WAY (220V 50/60HZ)	3	Series	10	
13		PLATE, IDENTIFICATION	-	Series	10	
14	23001461	RIVETS, BLIND	2	Series	10	
15	23001462	HOLDER, FUSE	1	Series	10	
16	23001468	STICKER, SPIN DIRECTION	1	Series	10	
17	NLA	PLATE, INDEX ``HOT WATER``	1	Series	10	
18	NLA	PLATE, INDEX (COLD HARD WATER)	1	Series	10	
19	NLA	PLATE, INDEX (COLD SOFT WATER)	1	Series	10	
20	23001509	STICKER, PIPE THREAD	1	Series	10	
21	NLA	PLUG (13)	5	Series	10	
22	23001476	PLUG, WATER INLET	1	Series	10	
23	23001477	ADAPTER (3/4`` PIPE TO 3/4`` HOS	3	Series	10	
24	23001482	NIPPLE (3/4`` PIPE THREAD)	1	Series	10	
25	23001483	WASHER (DIA. 40 X 6.5 X 3)	1	Series	10	
26	23001484	EXTENSION, BRASS PIPE THREAD	1	Series	10	
27	23001485	TEE, 3/4`` PIPE THREAD (BRASS)	1	Series	10	
28	23001523	HOSE, CONNECTION	2	Series	10	
29	23002197	NUT	1	Series	10	
30	23001312	NUT (M6)	2	Series	10	
31	23001115	INSULATION PAPER	1	Series	10	
32	NLA	LABEL, TERMINAL	1	Series	10	
33	23002196	SWIVEL, CABLE	1	Series	10	
34	23001731	SWITCH, MAIN (63A)	-	Series	10	
34	23002914	SWITCH, MAIN (20A)	-	Series	10	
34	23002915	SWITCH, MAIN (32A)	-	Series	10	
34	23002916	SWITCH, MAIN (80A)	1	Series	10	
35	23002212	NUT	1	Series	10	
36	NLA	SWIVEL	1	Series	10	
37	23002243	PLUG, UNIVERSAL	1	Series	10	
38	23002210	HOLDER, FUSE	2	Series	10	
39	23001508	FUSE (1A)	1	Series	10	
39	23002918	FUSE (1A)	1	Series	10	
40	23002919	FUSE (5A)	1	Series	10	
41	23001465	STICKER, ELECTRICITY WARNING	1	Series	10	
42	23002920	PLATE, INDEX (FLASH)	1	Series	10	

<b>Ref #</b>	<b>Part #</b>	<b>Description</b>	<b>Qty</b>	<b>Context</b>	<b>Note</b>	<b>MSRP</b>
43	23002053	LABEL, WARNING VENT OUT	1	Series	10	
44	NLA	STICKER (1A)	1	Series	10	
45	23001055	NUT (M4)	2	Series	10	
46	23001158	WASHER (M6)	1	Series	10	
47	23002778	SCREW (M4 X 12)	1	Series	10	
48	23002921	WASHER, FILL HOSE	6	Series	10	
49	23001113	CONNECTOR HOUSING (4 POLE)	1	Series	10	
50	23002922	FILTER	3	Series	10	
51	23002923	BOARD, TERMINAL	1	Series	10	
52	23002924	T-PART (3/4)	1	Series	10	

BDSPARTS.COM

MFR35PDATS - 12 - ELECTRICAL COMPONENTS





Ref #	Part #	Description	Qty	Context Note	MSRP
1	23001094	BRIDGE, RECTIFIER	2	Series 10	
2	23001096	CAPACITOR (60MF)	3	Series 10	
2	23001098	CAPACITOR (130MF)	2	Series 10	
3	23001099	PC BOARD SOCKET	2	Series 10	
4	23001100	CONTACTOR (LC1-D0901 M7)	1	Series 10	
4	23001101	CONTACTOR (LC1-D1201 M7)	2	Series 10	
4	23003750	CONTACTOR LC1 DO9	1	Series 21	
4	23003751	CONTACTOR LC1 D12	2	Series 21	
5	23001102	CONTACTOR (LC1-D1801 M7)	1	Series 10	
5	23001103	CONTACTOR (LC1-D3201 M7)	1	Series 10	
5	23001340	CONTACTOR (LC1-D4011)	1	Series 10	
5	23003752	Contactor LC1	1	Series 21	
6	23001104	AUXILIARY CONTACT (1NO-1NC)	1	Series 10	
7	23001105	RELAY, THERMAL OVERLOAD (9-13A)	1	Series 10	
7	23001106	RELAY, THERMAL OVERLOAD (4-6A)	1	Series 10	
7	23001108	RELAY, THERMAL OVERLOAD (7-10A)	1	Series 10	
7	23002101	RELAY, OVERLOAD (LR2-D1312)	1	Series 10	
7	23003756	OVERLOAD RELAY 4-6A	1	Series 21	
7	23003757	OVERLOAD RELAY 5.5-8A	1	Series 21	
7	23003758	Overload relay LR2D	1	Series 21	
7	23003761	Overload relay LR2D	1	Series 21	
8	23001110	TIMER, REVERSING (PR1840)	1	Series 10	
9	23001111	SWITCH, WATER LEVEL	1	Series 10	
9	23001513	SWITCH, WATER LEVEL	1	Series 20	
9	23002176	SWITCH, WATER LEVEL	1	Series 10	
10	23002460	THERMOSTAT (4 TEMP)	1	Series 10	
11	23002154	BOARD, TERMINAL (6 POLES)	1	Series 10	
12	23001114	ROCKER SWITCH, PREWASH/NO PREW	1	Series 10	
13	23001115	INSULATION PAPER	1	Series 10	
14	23001117	RING, RUBBER (DIA. 25)	1	Series 10	
15	23001118	STICKER, LIQUID SOAP	1	Series 10	
16	23002423	SCREW (M4X10)	4	Series 10	
17	23002111	WASHER (4)	4	Series 10	
18	23002398	SCREW (M4X16)	4	Series 10	
19	23002399	NUT(M4)	6	Series 10	
20	23001119	MECHANICAL INTERLOCK, CONTACTO	1	Series 10	
21	23002952	SCREW (M4X4)	4	Series 10	
22	23002806	SCREW (M6X25)	3	Series 10	
23	23001515	NUT (M6)	9	Series 10	
24	23001734	WASHER (M6)	3	Series 10	
25	NLA	MEMBER, RC	2	Series 10	
26	23002348	TRANSFORMER, CONTROL CIRCUIT	1	Series 10	
27	23002959	CONNECTOR	1	Series 10	
28	23001465	STICKER, ELECTRICITY WARNING	1	Series 10	
29	23002955	BUZZER	1	Series 10	
30	NLA	STICKER	1	Series 10	

<b>Ref #</b>	<b>Part #</b>	<b>Description</b>	<b>Qty</b>	<b>Context Note</b>	<b>MSRP</b>
31	NLA	LABEL, EARTH	2	Series 10	
32	23001138	BUSHING, CABLE PASSAGE	2	Series 10	
33	23002956	SCHRACH, RELAY	1	Series 10	
34	23002957	BASE, RELAY	1	Series 10	
35	23002906	SCREW (M3X25)	2	Series 10	
36	23002958	NUT M3	2	Series 10	
37	23002865	LOCK WASHER (M3)	2	Series 10	

BDSPARTS.COM