

WASHER

Repair Parts List

MODEL NUMBER

MFR35PNBVS

BDSPARTS.COM

When requesting service or ordering parts, always provide the following information:

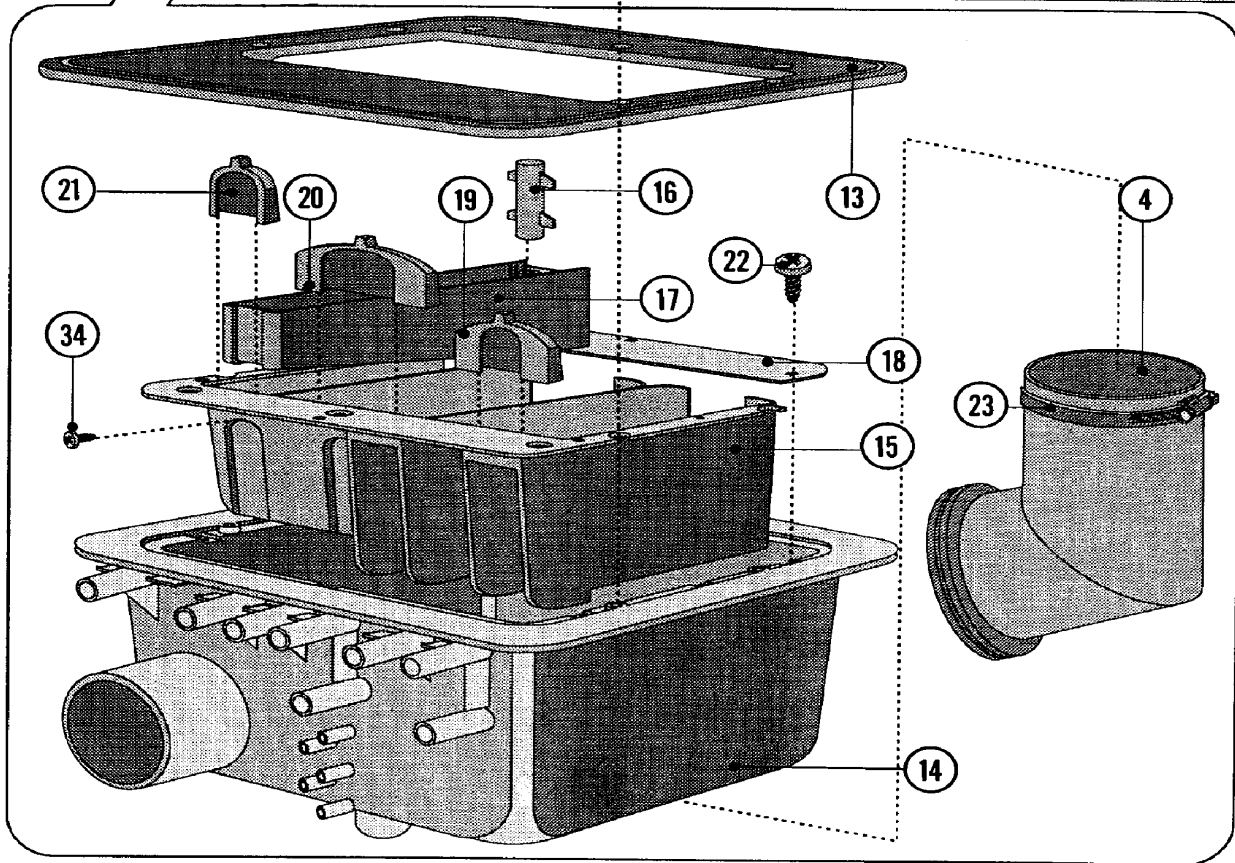
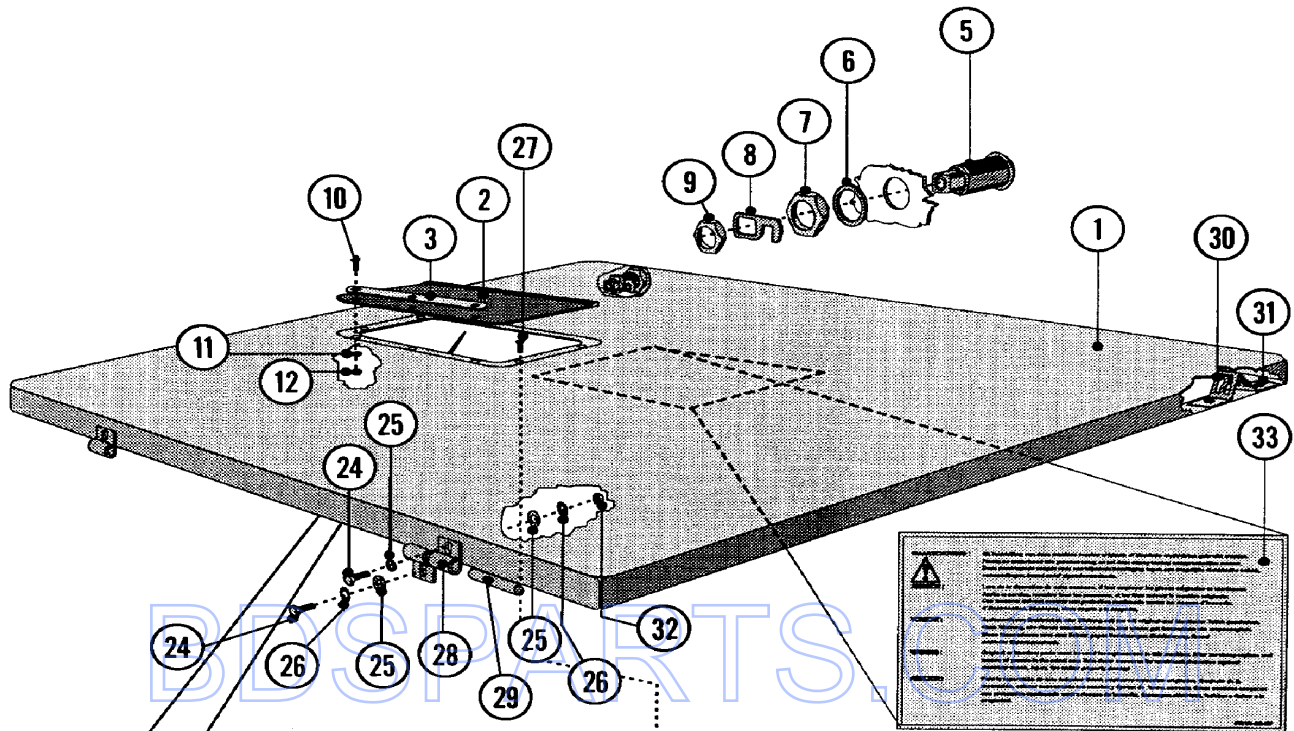
- Product Type
- Part Number
- Model Number
- Part Description

MAYTAG®

©2005 Maytag Services

Section: SOAP BOX & TOP COVER ASSEMBLY

Model: MFR35PNBVS



CW16-17

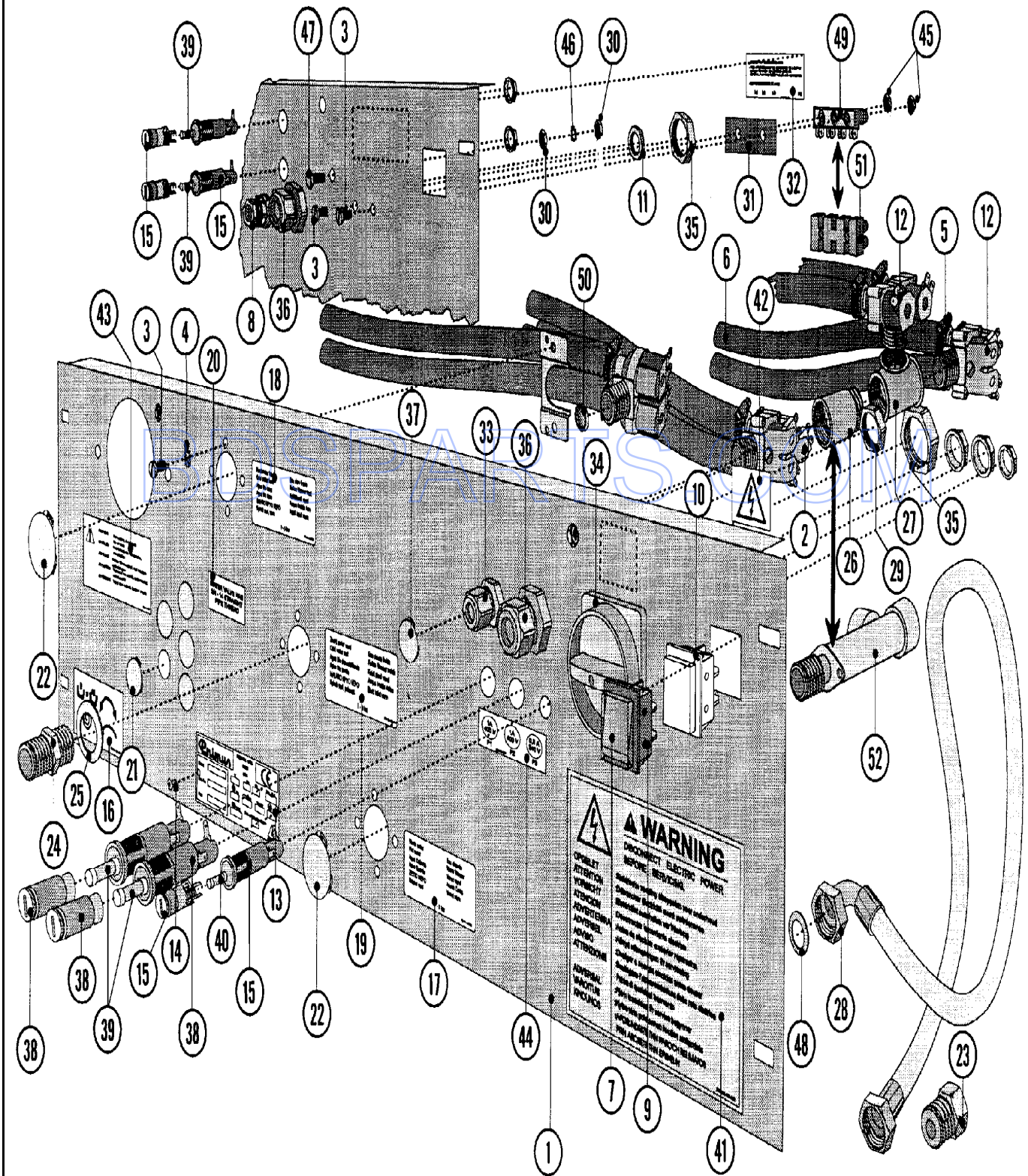
Section: SOAP BOX & TOP COVER ASSEMBLY

No.	Part No.	Description	Series	Qty
1	23002892	COVER, TOP	10	1
2	23001003	RUBBER COVER, SOAP BOX	10	1
3	23002893	LATH, RUBBER COVER SOAP HOPPER Note: LATH, RUBBER COVER SOAP BOX	10	1
4	23001005	RUBBER HOSE, SOAP BOX	10	1
-	23002673	KEY-TOP PANEL (25001)		1
5	23001006	LOCK, TOP PANEL	10	2
6	23001007	WASHER, FIBER	10	2
7	23001008	LOCK NUT (LARGE)	10	2
8	23001009	LOCK HOOK (SHORT)	10	2
8	23001010	LOCK HOOK (LONG)	10	2
9	23001011	NUT	10	2
10	23001012	SCREW (M4 X 12 STNLS STEEL)	10	3
11	23001636	WASHER	10	3
12	23002652	NUT (QTY OF 4 = 1 PIECE)	10	3
13	23001015	RUBBER SEAL, SOAP BOX	10	1
14	23001016	SOAP BOX HOUSING	10	1
15	23001017	SOAP BOX INSERT	10	1
16	23001018	SIPHON	10	1
17	23001019	TRAY	10	1
18	23001020	COVER, PLATE	10	1
19	23001021	DRAWER, PREWASH	10	1
20	23001022	DRAWER, MAIN WASH	10	1
21	23001023	DRAWER, LAST RINSE	10	1
22	23001024	SCREW	10	8
23	23001025	CLAMP, HOSE (DIA 90/110)	10	1
24	23002462	SCREW (M6 X 20) LU	10	4
25	23001027	WASHER (DIA. 12 X 6.5 X 1.6)	10	6
26	23002756	WASHER	10	4
27	23002894	SCREW (M5X15)	10	4
28	23001030	HINGE, TOP COVER	10	4
29	23001031	HINGE SHAFT (10 X 56 BRASS) Note: SHAFT, HINGE (10 X 56 BRASS)	10	2
30	23001032	CLAMP, SRV	10	2
31	23001033	RIVETS, BLIND (DIA. 3.2 X 8)LU	10	4
32	23002436	NUT (M6)	10	2
33	23001550	LABEL, EARTH	10	1
34 N	23002895	SCREW, SLOTTED (PAN HEAD)	10	1

*Color Code (-)=Not Shown #=Series, Serial Prefix or Run No., N=Not Available

Section: WATER VALVE & REAR PANEL

Model: MFR35PNBVS



CW21-136

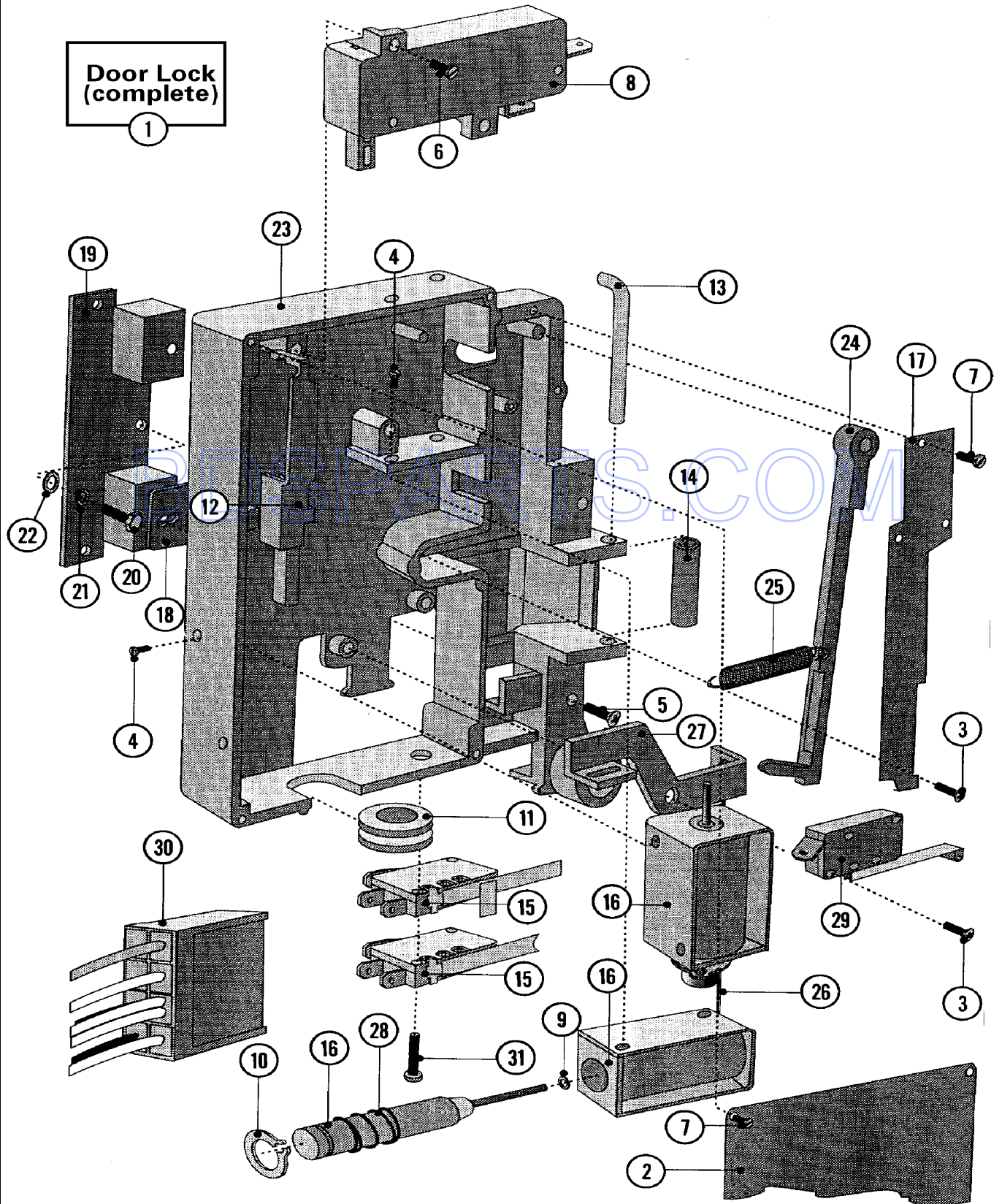
Section: WATER VALVE & REAR PANEL

No.	Part No.	Description	Series	Qty
1	23002909	BRIDGE, REAR	11	1
2	23001533	VALVE, THREE-WAY	11	1
3	23002423	SCREW (M4 X 10)	11	4
4	23002111	WASHER (4)	11	4
5	23001506	CLAMP, HOSE	11	14
6	23001507	WATERHOSE (GREEN)	11	1
7	23001532	COVER, BUTTON (PLASTIC)	11	1
8	23001453	NUT, SWIVEL (PG9)	11	1
9	23001529	BUTTON (RAPID ADVANCE)	11	1
10	23001452	PLUG (WHT)	11	1
11	23001450	SWIVEL (PG9)	11	1
12	23001455	VALVE, TWO WAY (220V 50/60HZ)	11	2
14	23001461	RIVETS, BLIND	11	2
15	23001462	HOLDER, FUSE	11	1
16	23001468	STICKER, SPIN DIRECTION	11	1
17	N 23002910	PLATE, INDEX "HOT WATER" Note: PLATE, INDEX (HOT WATER)	11	1
18	N 23002911	PLATE, INDEX (COLD HARD WATER)	11	1
19	N 23002912	PLATE, INDEX (COLD SOFT WATER)	11	1
20	23001509	STICKER, PIPE THREAD	11	1
21	N 23002794	PLUG (13)	11	5
22	23001476	PLUG, WATER INLET	11	1
23	23001477	ADAPTER (3/4" PIPE TO 3/4" HOS	11	3
24	23001482	NIPPLE (3/4" PIPE THREAD)	11	1
25	23001483	WASHER (DIA. 40 X 6.5 X 3)	11	1
26	23001484	EXTENSION, BRASS PIPE THREAD	11	1
27	23001485	TEE, 3/4" PIPE THREAD (BRASS)	11	1
28	23001523	HOSE, CONNECTION	11	2
29	23002197	NUT	11	1
30	23001312	NUT (M6)	11	2
31	23001115	INSULATION PAPER	11	1
32	N 23002913	LABEL, TERMINAL	11	1
33	23002196	SWIVEL, CABLE	11	1
34	23002915	SWITCH, MAIN (32A)	11	1
34	23001731	SWITCH, MAIN (63A)	11	1
34	23002914	SWITCH, MAIN (20A)	11	1
34	23002916	SWITCH, MAIN (80A)	11	1
35	23002212	NUT	11	1
36	N 23002917	SWIVEL	11	1
37	23002243	PLUG, UNIVERSAL	11	1
38	23002210	HOLDER, FUSE	11	2
39	23001508	FUSE (1A)	11	1
39	23002918	FUSE (1A)	11	1
40	23002919	FUSE (5A)	11	1
41	23001465	STICKER, ELECTRICITY WARNING	11	1
42	23002920	PLATE, INDEX (FLASH)	11	1
43	23002053	LABEL, WARNING VENT OUT	11	1
44	N 23001473	STICKER (1A)	11	1
45	23001055	NUT (M4)	11	2
46	23001158	WASHER (M6)	11	1
47	23002778	SCREW (M4 X 12)	11	1
48	23002921	WASHER, FILL HOSE	11	6
49	23001113	CONNECTOR HOUSING (4 POLE)	11	1
50	23002922	FILTER	11	3
51	23002923	BOARD, TERMINAL	11	1
52	23002924	T-PART (3/4)	11	1

*Color Code (-)=Not Shown #=Series, Serial Prefix or Run No., N=Not Available

Section: DOOR LOCK ASSEMBLY

Model: MFR35PNBVS



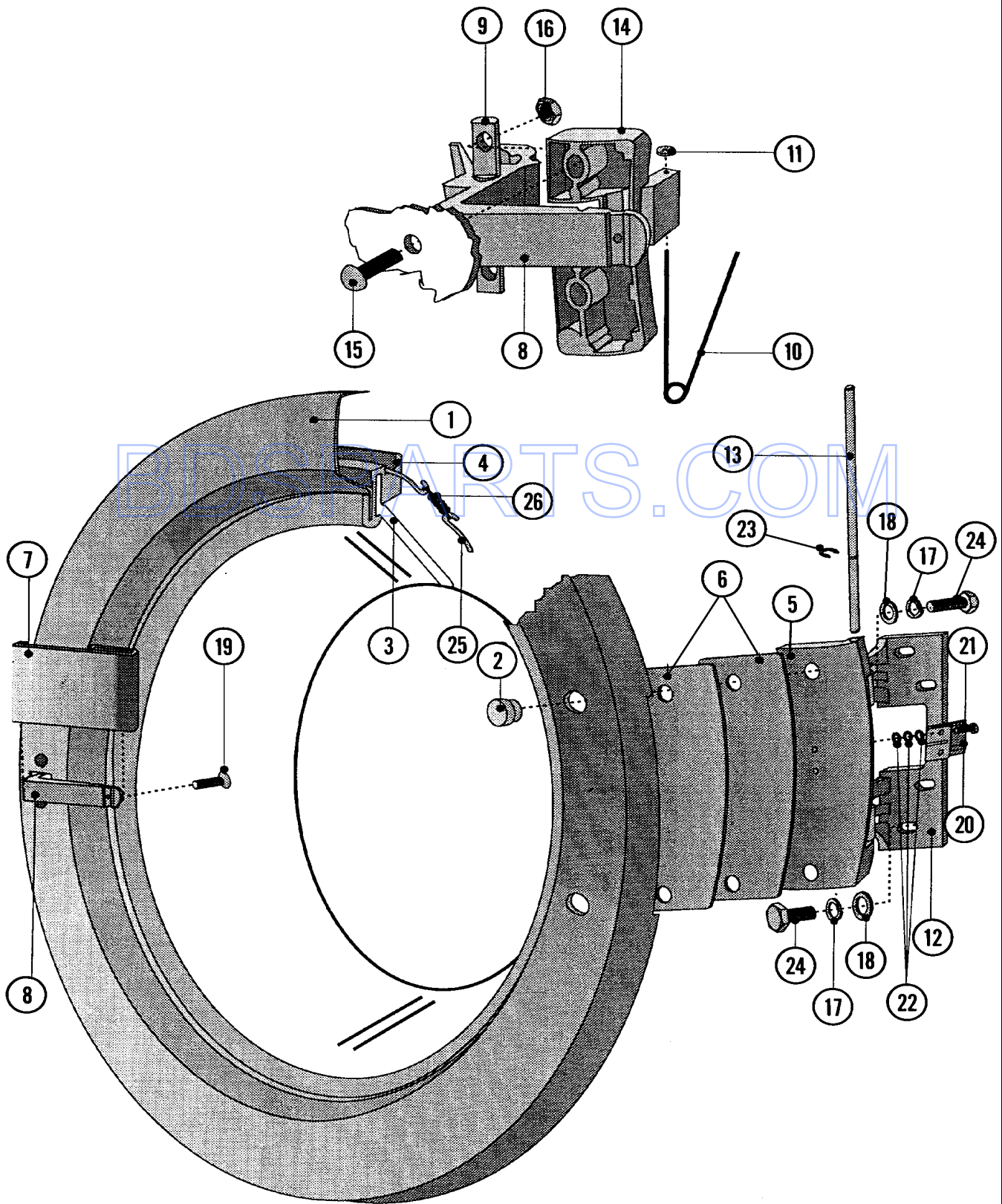
Section: DOOR LOCK ASSEMBLY

No.	Part No.	Description	Series	Qty
1	Y23002897	LOCK, DOOR (COMPLETE) Note: LOCK, DOOR (COMPLETE)	10	1
2	23001130	PLATE, COVER (STNLS STEEL)	10	1
3	23001131	SCREW (M3 X 14 CROSS RECESSED)	10	3
4	23001132	SCREW (M3 X 4 CROSS RECESSED)	10	4
5	23001133	SCREW (M5 X 25 STAINLESS STEEL)	10	2
6	23001070	SCREW (M4X10)	10	2
7	23001134	BOLT (M3 X 6)	10	1
8	23001135	BIMETAL, ACTUATOR (230V)	10	1
9	23001136	WASHER (DIA. 5.1 X 3.3 X 0.1)	10	1
10	23001137	RING, RETAINING (G10)	10	1
11	23001138	BUSHING, CABLE PASSAGE	10	1
12	23001140	BAR, LOCKING	10	1
13	23001142	RETAINER, LOCK TUBE (DIA.4X45)	10	1
14	23001143	LOCK TUBE (DIA. 4X23.5 STNLS)	10	1
15	23001144	MICROSWITCH, SHORT LEVER	10	1
16	23001147	COIL (120V)	10	1
16	23001146	COIL (240V)	10	1
17	23001149	LEAF SPRING, LATCH BAR	10	1
18	23001155	SHIM	10	1
19	23001156	SPACER, LOCK	10	1
20	23002353	SCREW (M6X12)	10	3
21	23002130	WASHER (6)	10	3
22	23001159	WASHER (DIA. 14X8.6X1 STNLS)LU	10	3
23	Y23002898	GROUND, PLATE LOCK	10	1
24	23002899	HANDLE, LOCKING PART	10	1
25	23002900	SPRING, LOCKING PART	10	1
26	23002901	CORD, OPENING	10	1
27 N	23002902	LEVEL, OPENING	10	1
28	23002903	SPRING, LOCKING PART	10	1
29	23002337	MICROSWITCH W/ ROLLER ARM Note: MICROSWITCH W/ROLLER ARM	10	1
30	23002905	WIRING, DOOR LOCK	10	1
31	23002906	SCREW (M3X25)	10	2

*Color Code (-)=Not Shown #=Series, Serial Prefix or Run No., N=Not Available

Section: DOOR

Model: MFR35PNBVS



CW10-47

Section: DOOR

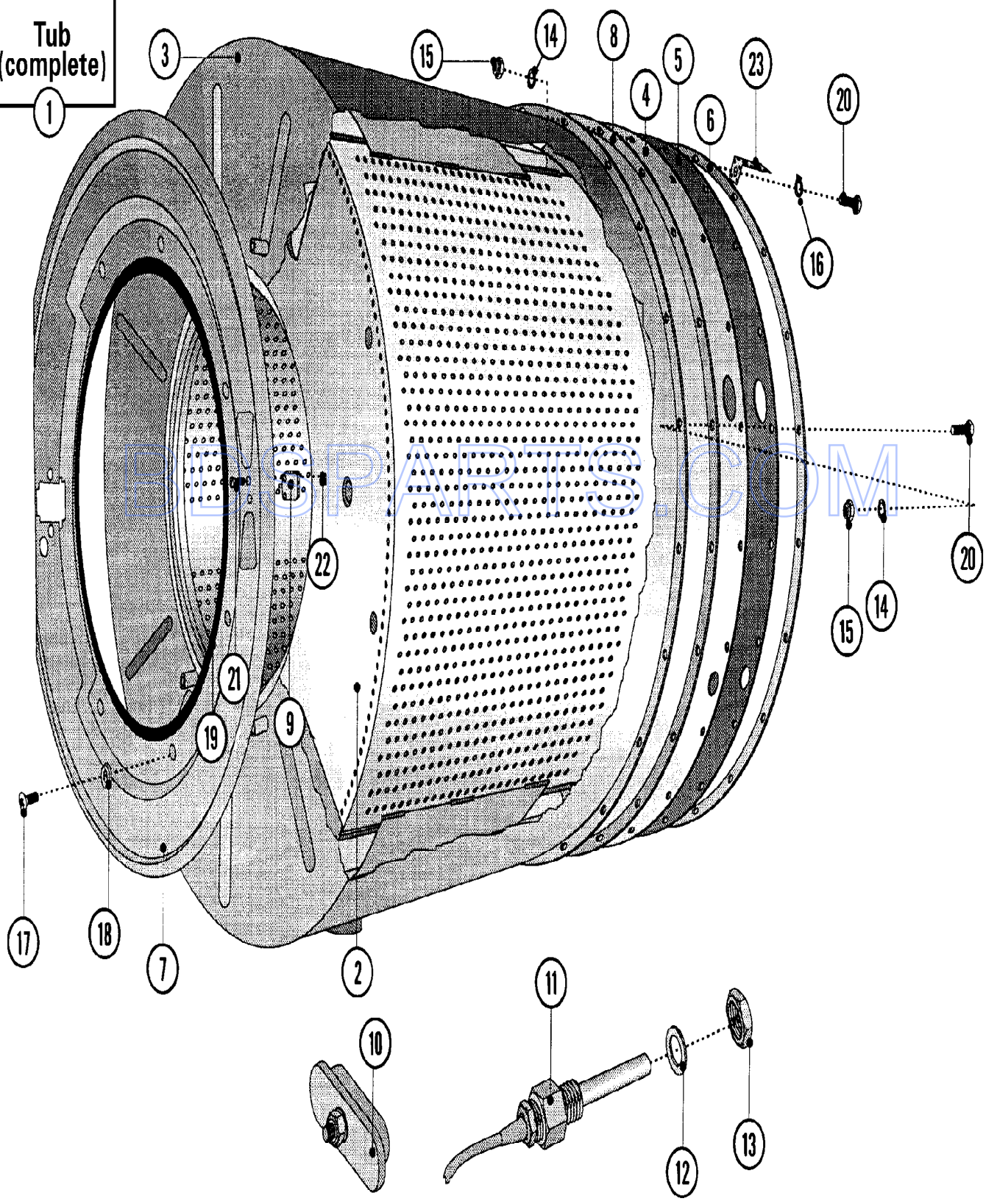
No.	Part No.	Description	Series	Qty
1	23001161	RING, DOOR	10	1
2	23001162	NUT, ORNAMENTAL (STNLS STEEL)	10	2
3	23001163	GLASS, DOOR	10	1
4	23001164	GASKET, DOOR GLASS	10	1
5	23001165	PLATE, HINGE	10	1
6	23001166	SHIM, HINGE PLATE	10	3
-	23003632	HANDLE, DOOR (BACK)	10	1
-	12001889	KIT, DOOR HANDLE ASSEMBLY Note: HANDLE FRONT & BACK INCLUDED	14	1
7	23003631	HANDLE, DOOR (FRONT)	10	1
8	23003634	LEVER, DOOR	10	1
9	23001168	SHAFT, LEVER	10	1
10	23001169	SPRING, HANDLE LEVER	10	1
11	23001057	SPEEDNUT (M3)	10	1
12	23001171	BASE, HINGE	10	1
13	23001172	SHAFT, DOOR HINGE	10	1
14	23001173	HANDLE, LEVER PLATE	10	1
15	23002937	SCREW (M6X26)	10	2
16	23001176	NUT (M6 STAINLESS STEEL)	10	2
-	23001159	WASHER (DIA. 14X8.6X1 STNLS)LU	10	2
17	23002130	WASHER (6)	10	6
18	23001643	WASHER (M6)	10	6
19	23001621	SCREW (M4X12) LU	10	1
20	23001178	MICROSWITCH, ACTIVATING PLATE	10	1
21	23001781	BOLT (M4X10)	10	2
22	23001708	WASHER (5.3)	10	2
23	23001181	RETAINING RING (DIA. 8)	10	1
24	23002279	BOLT (M6X20)	10	2
25	23001185	DOORSEAL, TENSION RING	10	1
26	23001186	DOORSRING, TENSION SPRING	10	1

*Color Code (-)=Not Shown #=Series, Serial Prefix or Run No., N=Not Available

Section: BASKET & OUTER SHELL ASSEMBLY

Model: MFR35PNBVS

Tub
(complete)



CW21-142

Section: BASKET & OUTER SHELL ASSEMBLY

No.	Part No.	Description	Series	Qty
1	N 23001187	TUB (COMPLETE)	10	1
2	23002933	DRUM & SHAFT	10	1
3	23002934	TUB	10	1
4	23002178	PLATE, BASE	10	1
4	23001193	BACKPLATE (STNLS STEEL)	10	1
5	23001195	BACKPLATE (IRON)	10	1
6	23002935	RING	10	1
7	23001198	SHIELD	10	1
8	23001199	GASKET, REAR SHELL (24 HOLES)	10	1
9	23001200	HINGE, MIRCO SWITCH	10	1
10	23001594	BLIND, HEATING ELEMENT	10	3
11	23001592	ADAPTOR	10	1
12	23002179	WASHER	10	1
13	23002936	NUT, SENSOR BUSHING	10	1
14	23002358	WASHER (M8)	10	24
15	23001607	NUT (M8)	10	24
16	23001203	WASHER (DIA. 16 X 8.4 X 1.6)	10	24
17	23002617	SCREW (M4X8)	10	4
18	23001204	WASHER, FINISHING (DIA. 5)	10	4
19	23001088	RUBBER TRIM	10	1
20	23002847	SCREW (M8X45)	10	24
21	23001089	SCREW (M4 X 16 CK)	10	2
22	23001055	NUT (M4)	10	2
23	23001206	BRACKET, MOTOR HARNESS	10	3

*Color Code (-)=Not Shown #=Series, Serial Prefix or Run No., N=Not Available

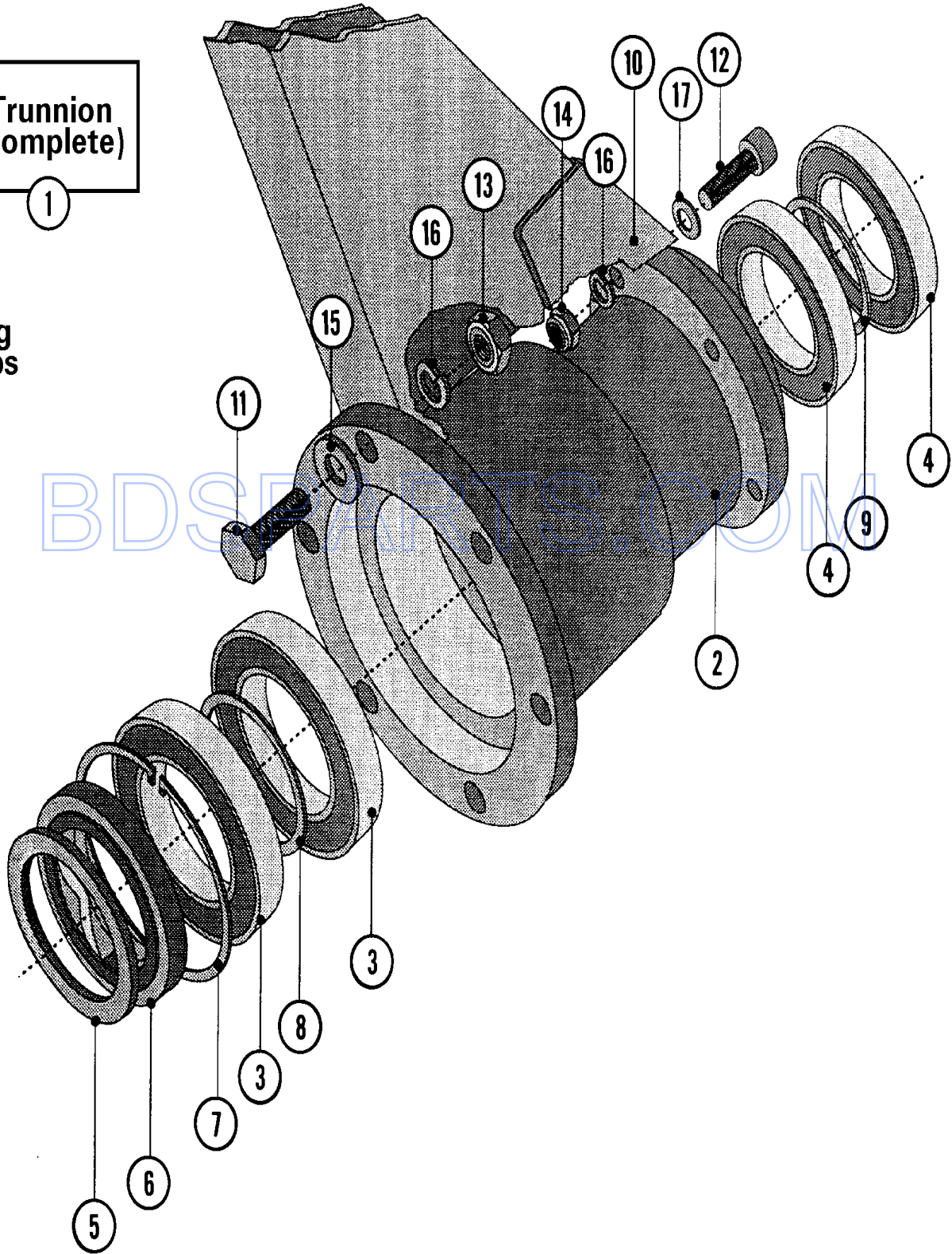
Section: BEARINGS & TRUNNION ASSEMBLY

Model: MFR35PNBVS

Trunnion
(complete)

1

16 kg
35 lbs



CW21-144

Section: BEARINGS & TRUNNION ASSEMBLY

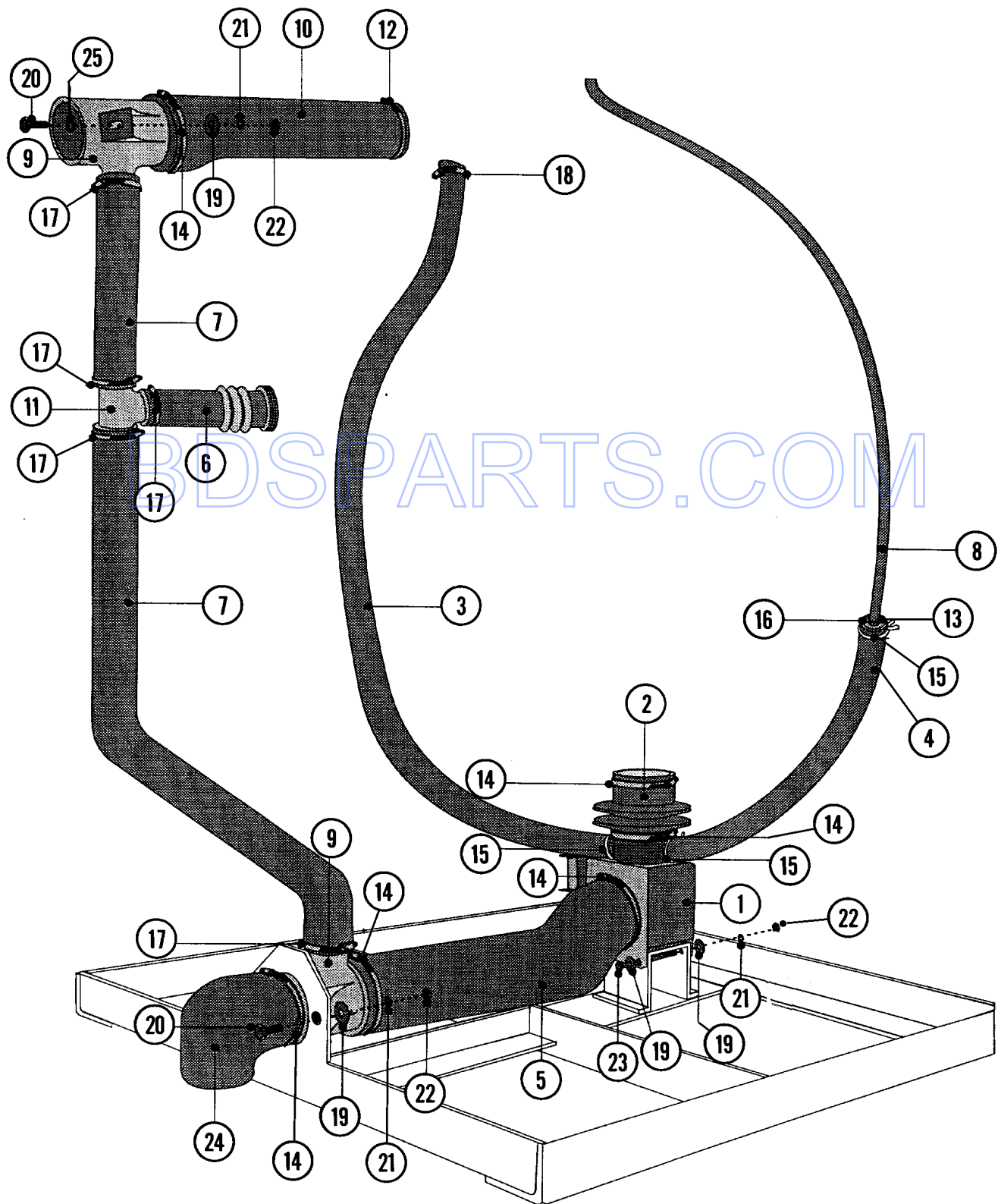
No.	Part No.	Description	Series	Qty
1	23002938	TRUNNION (35LBS)	10	1
2	23001230	TRUNNION (CASTING ONLY)	10	1
3	23001231	BEARING (6209 2RS C3)	10	2
4	23001232	BEARING (REAR)	10	2
5	23001233	RING, SEAL	10	1
6	23001234	SEAL, WATER	10	1
7	23001235	RING, INTERNAL SNAP	10	1
8	23001236	SPACER RING (FRONT BEARING)	10	1
9	23001237	SPACER RING (REAR BEARING)	10	1
10	23002939	SPOKE (COMPLETE)	10	6
11	23002940	SCREW (M10X35)	10	6
12	23002941	SCREW (M10X40)	10	6
13	23001661	NUT (M10)	10	6
14	23002356	NUT (M10)	10	6
15	23001201	WASHER (DIA. 22X11X1 BRASS)	10	6
16	23001400	LOCK WASHER, SPRING	10	12
17	23002655	WASHER (10/5)	10	6

BDSPARTS.COM

*Color Code (-)=Not Shown #=Series, Serial Prefix or Run No., N=Not Available

Section: DRAIN & HOSE ASSEMBLY

Model: MFR35PNBVS



CW21-135

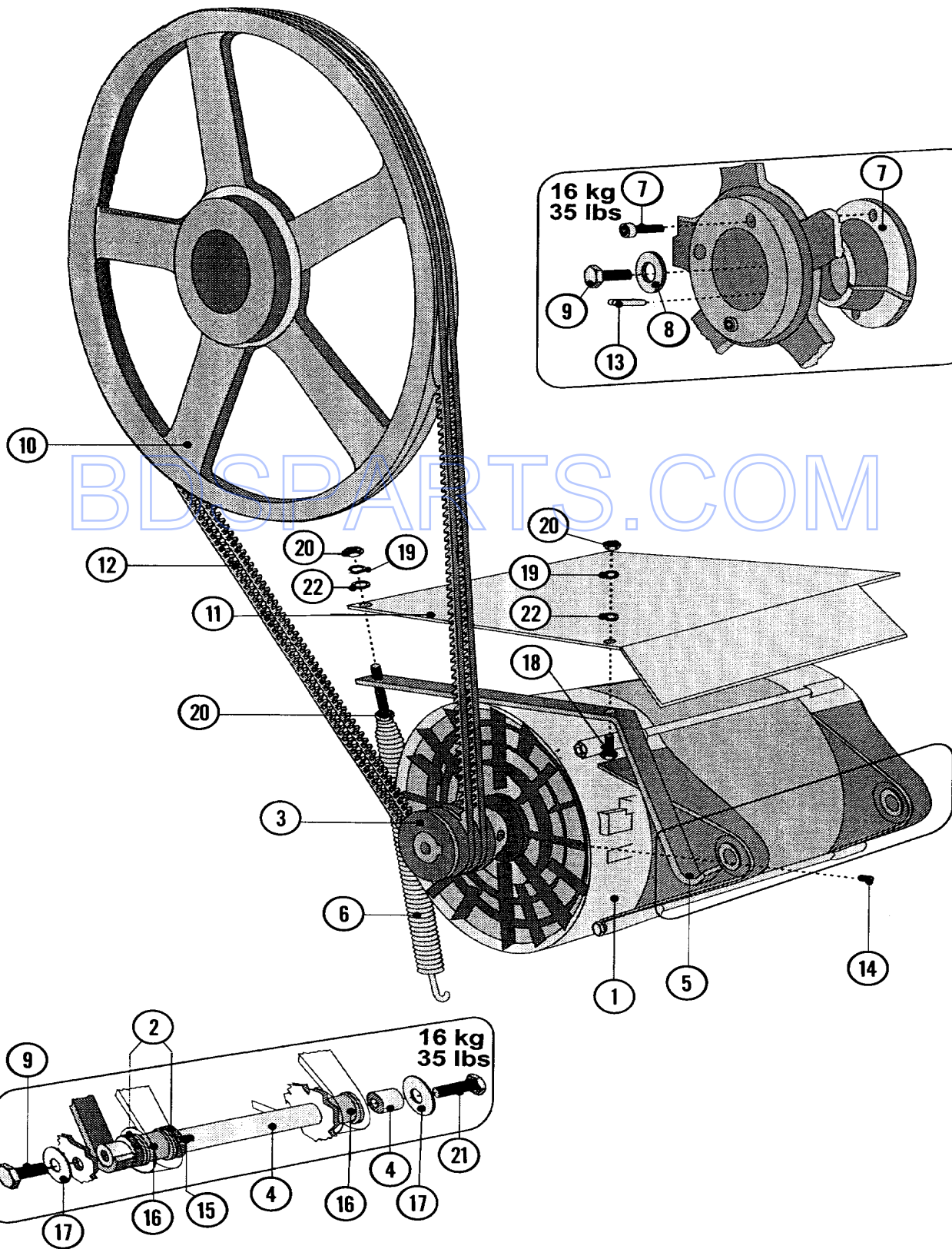
Section: DRAIN & HOSE ASSEMBLY

No.	Part No.	Description	Series	Qty
1	23001244	VALVE, DRAIN (240V-50/60HZ)	10	1
2	23002907	TUB, OUTLET VALVE HOSE	10	1
3	23001246	HOSE, BOTTOM FILL	10	1
4	23001247	HOSE, AIR DOME (30 CM)	10	1
5	23001249	HOSE, DRAIN	10	1
6	23001250	HOSE, AIR VENT	10	1
7	23001251	HOSE, OVERFLOW	10	2
8	23001252	HOSE, WATER LEVEL SWITCH	10	1
9	23001253	DRAIN TEE	10	2
10	23001254	AIR VENT HOSE, SOAP BOX	10	1
11	23001255	TEE, OVERFLOW HOSE	10	1
12	23001256	CLAMP, HOSE (60-80)	10	1
13	23001257	CLAMP, CORBIN (A5.5)	10	1
14	23001258	CLAMP, HOSE (70-90)	10	6
15	23001259	CLAMP, CORBIN (A17.5)	10	3
16	23001260	BUSHING, AIR DOME HOSE	10	1
17	23001261	CLAMP, HOSE (32-50)	10	5
18	23001262	CLAMP, HOSE (20-32)	10	1
19	23002437	WASHER (M8)	10	8
20	23002475	BOLT (M8X20)	10	4
21	23002358	WASHER (M8)	10	6
22	23002435	NUT (M8)	10	6
23	23002908	SCREW (M8X120)	10	2
24	23002822	ELBOW, 90 DEGREE	10	1
25	23002653	WASHER (8/6)	10	2

*Color Code (-)=Not Shown #=Series, Serial Prefix or Run No., N=Not Available

Section: MOTOR & BASKET PULLEY

Model: MFR35PNBVS



CW21-145

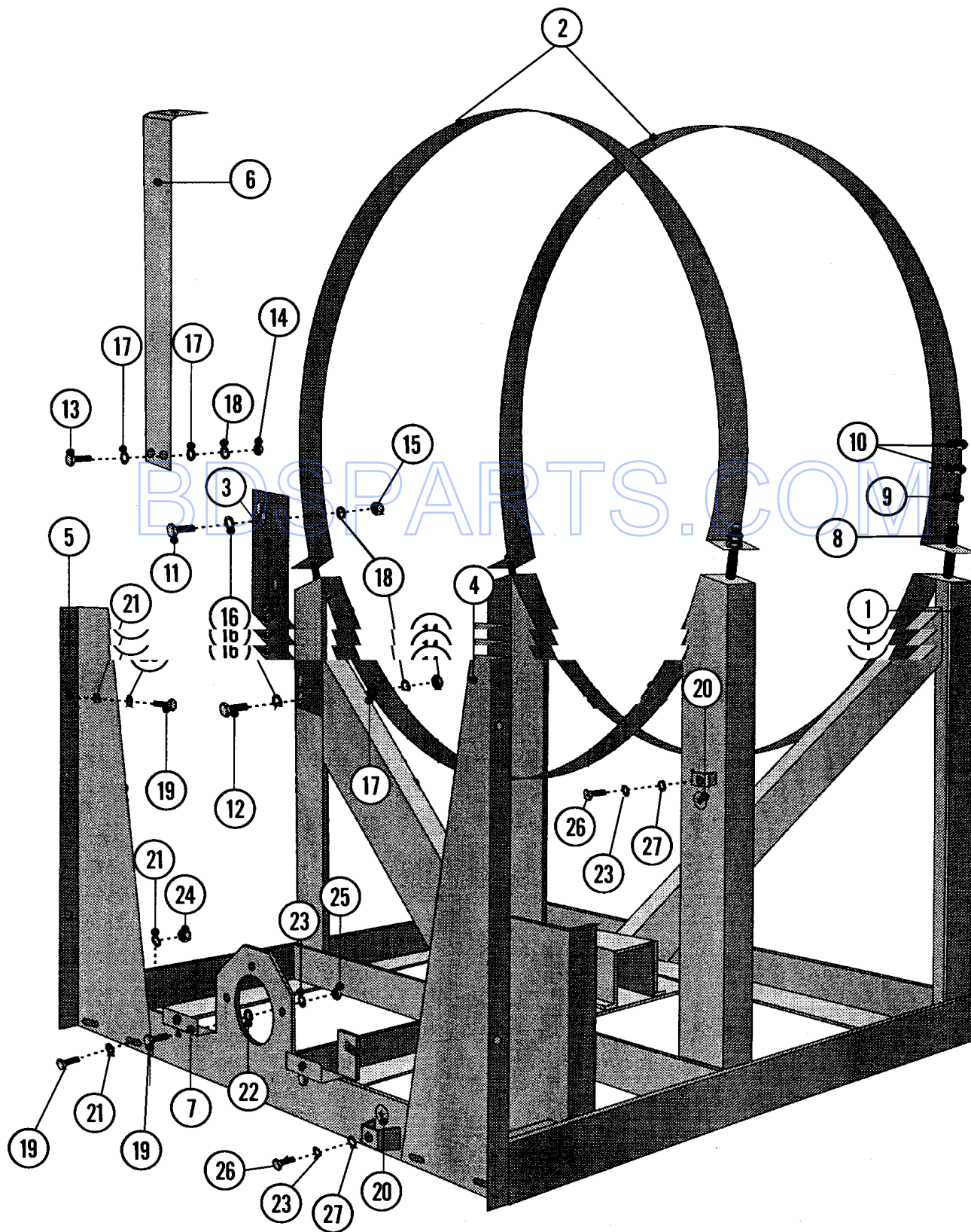
Section: MOTOR & BASKET PULLEY

No.	Part No.	Description	Series	Qty
-	23002317	SWITCH, CENTRIFUGAL	10	1
1	23001270	MOTOR (THREE PHASE-240V/208V)	10	1
2	23002925	SHAFT, SLIDING RING MOTOR	10	2
3	23001273	V-PULLEY (DIA. 53 X PZ 60HZ)	10	1
4	23002926	SHAFT, MOTOR	10	1
4	23002927	SHAFT, EXTENSION MOTOR (MONO)	10	1
5	23001278	BELT TENSIONER (SINGLE PHASE)	10	1
6	23001279	BELT, TENSION SPRING	10	1
7	23001280	BUSHING, TAPERED (W/KEY SLOT)	10	1
7	23002336	BOLT, SOCKET HD (M12X50)	10	2
8	23001282	WASHER (DIA. 37 X 13 X 3)	10	1
9	23002661	SCREW (M12 X 35)	10	3
10	23001284	BASKET PULLEY (DIA. 450)	10	1
11	23002928	MOTOR, PROTECTION SHIELD	10	1
12	23001287	V-BELT (XPZ X 1950)	10	3
13	23001288	BASKET PULLEY KEY (10 X 8X 60)	10	1
14	23002929	SCREW, SOCKET SET (M8X10)	10	2
15	23002930	SCREW, SOCKET SET (M6X6)	10	2
16	23001291	BUSHING, RUBBER MOTOR MOUNT	10	2
17	23002657	WASHER (13)	10	2
18	23002475	BOLT (M8X20)	10	1
19	23002932	WASHER, SPRING Note: SPRING, LOCK WASHER	10	2
20	23002399	NUT(M4)	10	3
21	23002846	SCREW (M12X70)	10	1
22	23002653	WASHER (8/6)	10	2

*Color Code (-)=Not Shown #=Series, Serial Prefix or Run No., N=Not Available

Section: BASE FRAME

Model: MFR35PNBVS



CW19-15

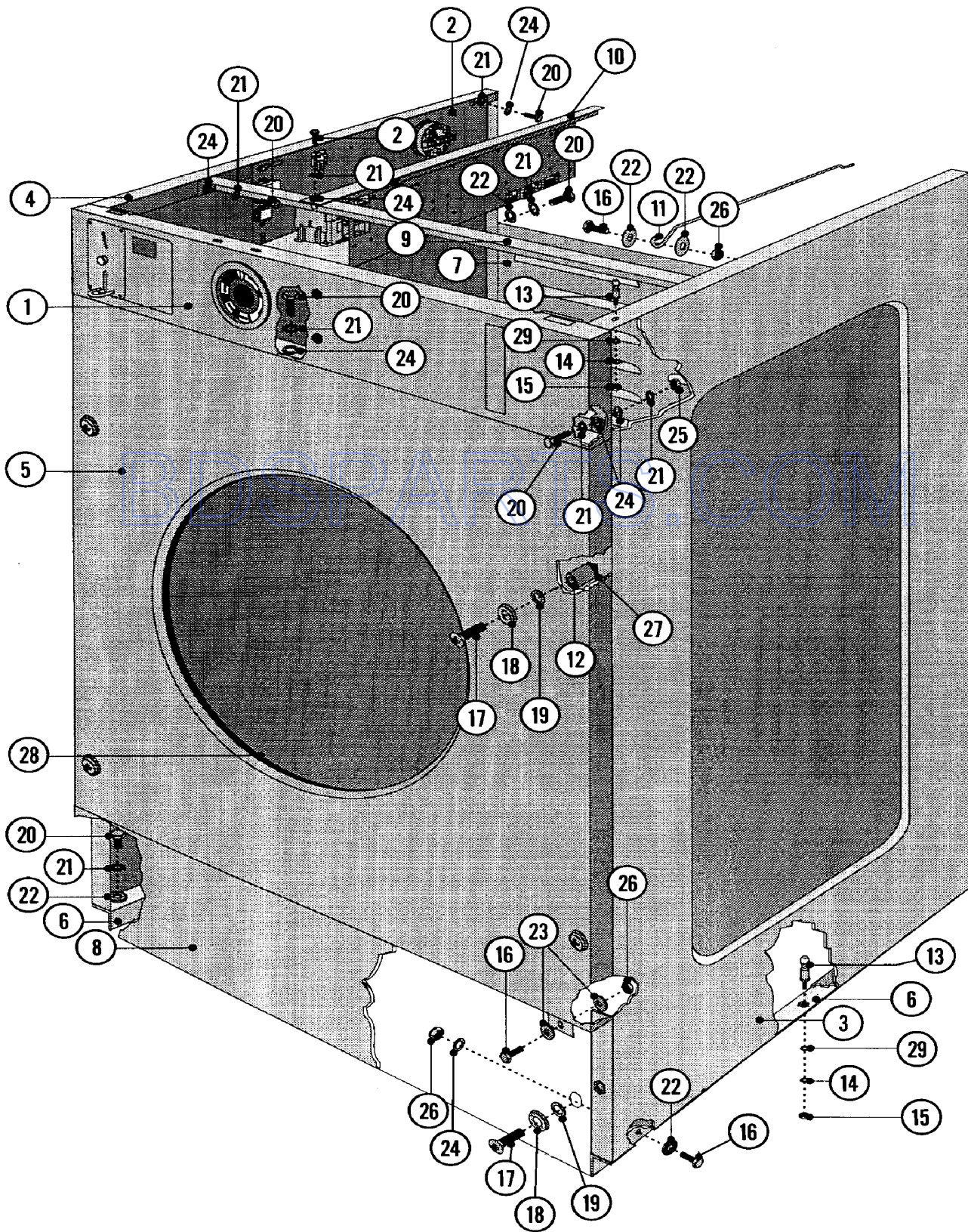
Section: BASE FRAME

No.	Part No.	Description	Series	Qty
1	23002840	FRAME	10	1
2	23001297	CLAMP, TUB	10	2
3	23002841	BRACE, TUB SUPPORT	10	1
4	23002842	BRACKET, SUPPORT (RT-SIDE)	10	1
5	23002843	BRACKET, SUPPORT (LT-SIDE)	10	1
6	23002844	HOLDER, STEAM TUBE	10	1
7	23002845	CONNECTION, PART BACK PLATE	10	2
8	23002846	SCREW (M12X70)	10	4
-	23002931	SCREW (M14X50)	16	4
9	23002657	WASHER (13)	10	4
-	23002258	WASHER M14	16	4
10	23001599	NUT (M12)	10	8
-	23003746	NUT, M14	16	8
11	23002847	SCREW (M8X45)	10	2
12	23001304	BOLT (M8 X 35)	10	2
13	23002647	SCREW (M8 X 25)	10	2
14	23002435	NUT (M8)	10	4
15	23001607	NUT (M8)	10	2
16	23001263	WASHER (8.4)	10	4
17	23002653	WASHER (8/6)	10	6
18	23002358	WASHER (M8)	10	6
19	23002462	SCREW (M6 X 20)	LU	10 10
20 N	23002350	PLATE, INDEX		10 2
21	23001309	WASHER (6.4)	LU	10 12
22	23002282	WASHER (6)		10 2
23	23001734	WASHER (M6)		10 8
24	23002471	NUT		10 4
25	23002436	NUT (M6)		10 2
26	23002353	SCREW (M6X12)		10 2
27	23001643	WASHER (M6)		10 2

*Color Code (-)=Not Shown #=Series, Serial Prefix or Run No., N=Not Available

Section: CABINET

Model: MFR35PNBVS



CW12-30

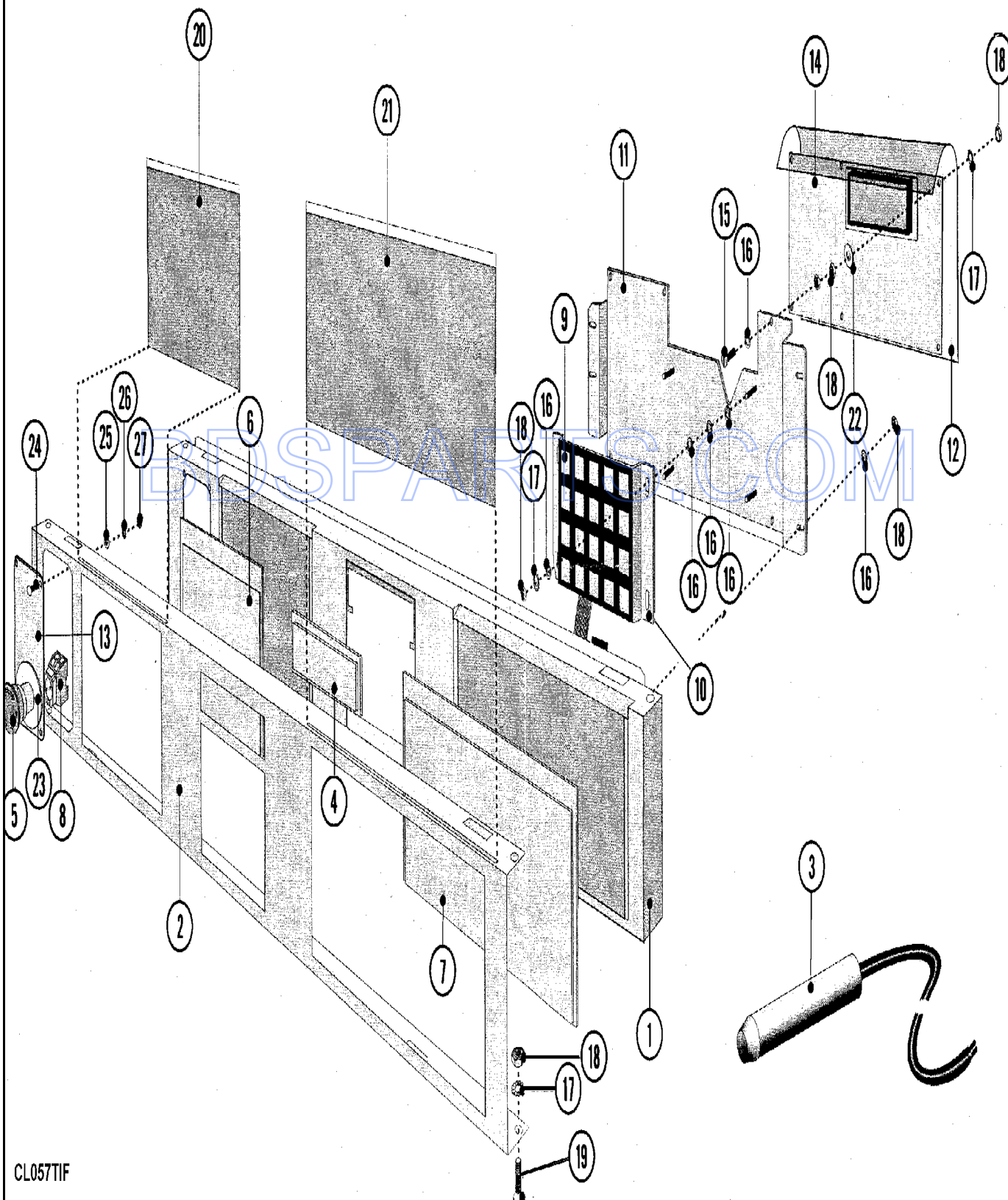
Section: CABINET

No.	Part No.	Description	Series	Qty
1	23002942	PANEL, CONTROL	10	1
2	23002850	COMPONENTS, BOX ELEC.	10	1
3	23002851	PANEL, SIDE (RT)	10	1
4	23002852	PANEL, SIDE (LT)	10	1
5	23001320	PANEL, FRONT (SS)COIN	10	1
6	23002854	SUPPORT, PANEL (RT)	10	1
6	23002855	PANEL, SUPPORT (LT)	10	1
7	23002856	PLATE, BACK	10	1
8	23002857	PANEL, SERVICE (STAINLESS)	10	1
9	23002858	BEAM, CROSS	10	1
10	23002859	HOLDER, BOX	10	1
11	23001330	SUPPORT ROD, TOP PANEL	10	1
12	23002860	TUBE, DISTANCE	10	4
13	23001332	PIN, SRV	10	4
14	23002465	WASHER, LOCK	10	4
15	23002466	NUT (M5)	10	4
16	23002861	SCREW (M6X25) LU	10	9
17	23002456	SCREW (M6 X 50)	10	6
18	23001337	WASHER, FINISHING	10	6
19	23001338	WASHER, FIBER (DIA. 15X7X3)	10	6
20	23002354	SCREW (M6X16)	10	34
21	23002756	WASHER	10	38
22	23001309	WASHER (6.4) LU	10	20
23	23001203	WASHER (DIA. 16 X 8.4 X 1.6)	10	8
24	23002282	WASHER (6)	10	22
25	23002436	NUT (M6)	10	4
26	23002471	NUT	10	8
27	23001339	NUT, CAGE	10	4
28	23001088	RUBBER TRIM Note: TRIM, RUBBER	10	1
29	23002862	WASHER (5,3)	10	4

*Color Code (-)=Not Shown #=Series, Serial Prefix or Run No., N=Not Available

Section: CONTROL PANEL

Model: MFR35PNBVS



CL057TIF

LW11-99

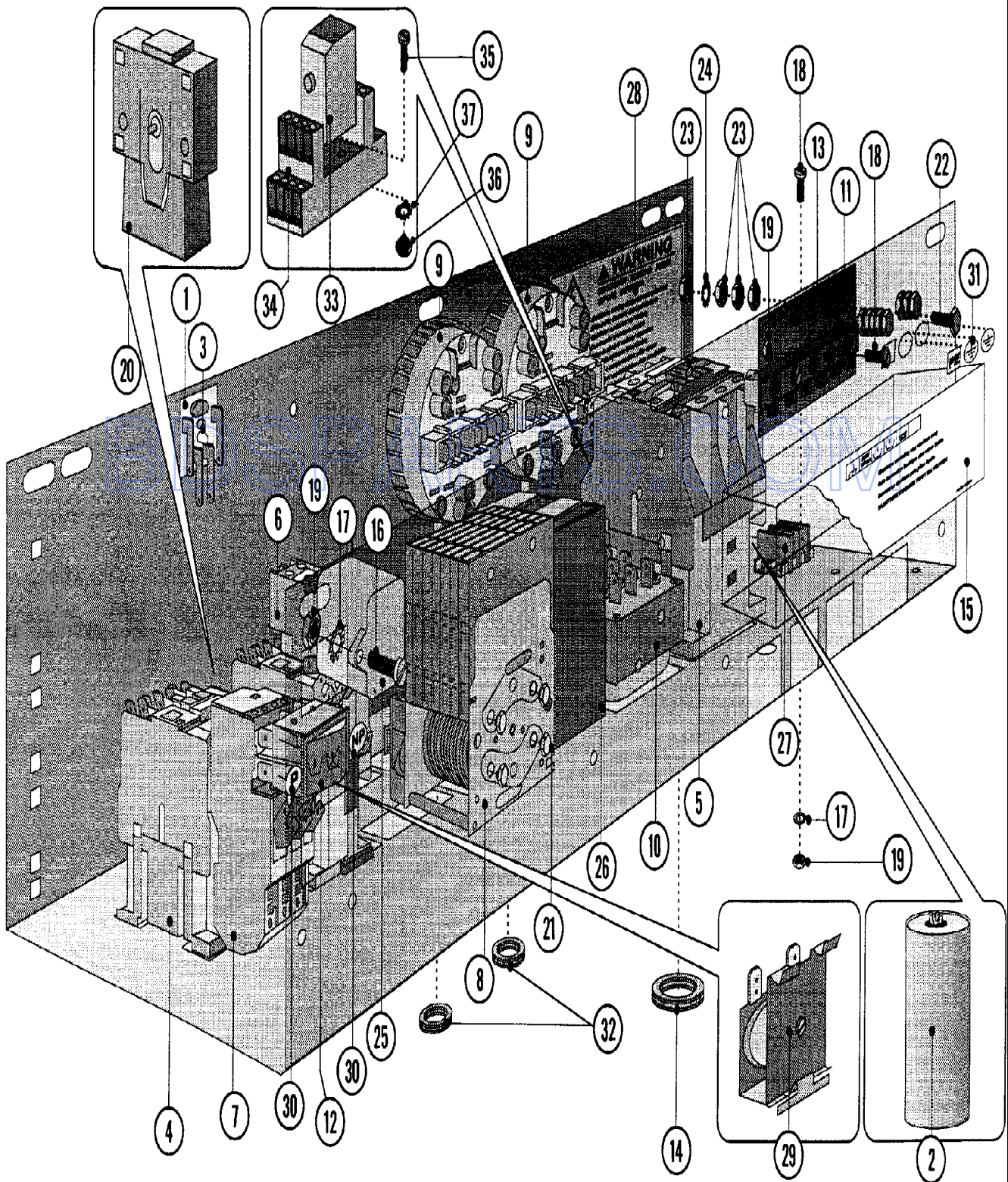
Section: CONTROL PANEL

No.	Part No.	Description	Series	Qty
1	23002942	PANEL, CONTROL	10	1
2	N 23002943	FASCIA Note: FACIA	10	1
3	23001073	SENSOR, TEMPERATURE	10	1
4	23002163	HOLE, INSPECTION	10	1
5	23002332	KNOB, CENTRAL STOP	10	1
6	N 23002944	PLEXI, INSERT CARD INSTRUCTION	10	1
7	N 23002945	PLEXI, INSERT CARD PROGRAM	10	1
8	23002331	CONTACTOR, CENTRAL STOP	10	1
9	23001692	KEYBOARD (MEMBRANE SWITCH)	10	1
10	23002946	PLATE, FIXATION PLATE	10	1
11	23002947	PLATE, ELECTRONIC BOARD FIXATI	10	1
12	N 23002877	COVER, PLASTIC	10	1
13	N 23002948	PLATE, INSERT (MANUAL)	10	1
14	23002201	MICROPROCESSOR(MKIIA-20)	10	1
-	23003744	CONTROLLER, APL280NS V1.04	10	1
-	23003742	CONTROLLER, ENGLISH, SPANISH	10	1
15	23002398	SCREW (M4X16)	10	6
16	23001056	WASHER (4.3)	10	20
17	23002426	WASHER, LOCK (M4)	10	14
18	23002399	NUT(M4)	10	22
19	23001090	SCREW (M4 X 8 PK STNLS STEEL)	10	4
20	Y00000000	SEE NOTE Note: INSTRUCTIONS, INSERT CARD	10	1
21	Y00000000	SEE NOTE Note: PROGRAMS, INSERT CARD	10	1
22	23002951	WASHER, FIBER	10	6
23	23002330	LABEL, CENTRAL STOP	10	1
24	23001064	ORNAMENTAL SCREW (M3 X 10)	10	4
25	23002174	WASHER (3.2)	10	4
26	23002865	LOCK WASHER (M3)	10	4
27	23002399	NUT(M4)	10	4

*Color Code (-)=Not Shown #=Series, Serial Prefix or Run No., N=Not Available

Section: ELECTRICAL COMPONENTS

Model: MFR35PNBVS



CW21-138

Section: ELECTRICAL COMPONENTS

No.	Part No.	Description	Series	Qty
1	23001094	BRIDGE, RECTIFIER	10	2
2	23001096	CAPACITOR (60MF)	10	3
2	23001098	CAPACITOR (130MF)	10	2
3	23001099	PC BOARD SOCKET	10	2
4	23001100	CONTACTOR (LC1-D0901 M7)	10	1
4	23003750	CONTACTOR LC1 DO9	21	1
4	23003751	CONTACTOR LC1 D12	21	2
4	23001101	CONTACTOR (LC1-D1201 M7)	10	2
5	23001103	CONTACTOR (LC1-D3201 M7)	10	1
5	23003752	Contacto LC1	21	1
5	23001340	CONTACTOR (LC1-D4011)	10	1
5	23001102	CONTACTOR (LC1-D1801 M7)	10	1
6	23001104	AUXILIARY CONTACT (1NO-1NC)	10	1
7	23003758	Overload relay LR2D	21	1
7	23003761	Overload relay LR2D	21	1
7	23001105	RELAY, THERMAL OVERLOAD (9-13A)	10	1
7	23002101	RELAY, OVERLOAD (LR2-D1312)	10	1
7	23003757	OVERLOAD RELAY 5.5-8A	21	1
7	23001106	RELAY, THERMAL OVERLOAD (4-6A)	10	1
7	23003756	OVERLOAD RELAY 4-6A	21	1
7	23001108	RELAY, THERMAL OVERLOAD (7-10A)	10	1
8	23001110	TIMER, REVERSING (PR1840)	10	1
9	23002176	SWITCH, WATER LEVEL	10	1
9	23001111	SWITCH, WATER LEVEL	10	1
10	23002460	THERMOSTAT (4 TEMP)	10	1
11	23002154	BOARD, TERMINAL (6 POLES)	10	1
12	23001114	ROCKER SWITCH, PREWASH/NO PREW	10	1
13	23001115	INSULATION PAPER	10	1
14	23001117	RING, RUBBER (DIA. 25)	10	1
15	23001118	STICKER, LIQUID SOAP	10	1
16	23002423	SCREW (M4 X 10)	10	4
17	23002111	WASHER (4)	10	4
18	23002398	SCREW (M4X16)	10	4
19	23002399	NUT(M4)	10	6
20	23001119	MECHANICAL INTERLOCK, CONTACTO	10	1
20	23003762	MECHANICAL INTERLOCK	21	1
21	23002952	SCREW (M4X4) Note: SCREW (M4X4)	10	4
22	23002806	SCREW (M6 X 25)	10	3
23	23001515	NUT (M6)	10	9
24	23001734	WASHER (M6)	10	3
25 N	23002953	MEMBER, RC	10	2
26	23002348	TRANSFORMER, CONTROL CIRCUIT	10	1
27	23002959	CONNECTOR	10	1
28	23001465	STICKER, ELECTRICITY WARNING	10	1
29	23002955	BUZZER	10	1
30 N	23001517	STICKER	10	1
31 N	23001546	LABEL, EARTH	10	2
32	23001138	BUSHING, CABLE PASSAGE	10	2
33	23002956	SCHRACH, RELAY	10	1
34	23002957	BASE, RELAY	10	1
35	23002906	SCREW (M3X25)	10	2
36	23002958	NUT (M3)	10	2
37	23002865	LOCK WASHER (M3)	10	2

*Color Code (-)=Not Shown #=Series, Serial Prefix or Run No., N=Not Available