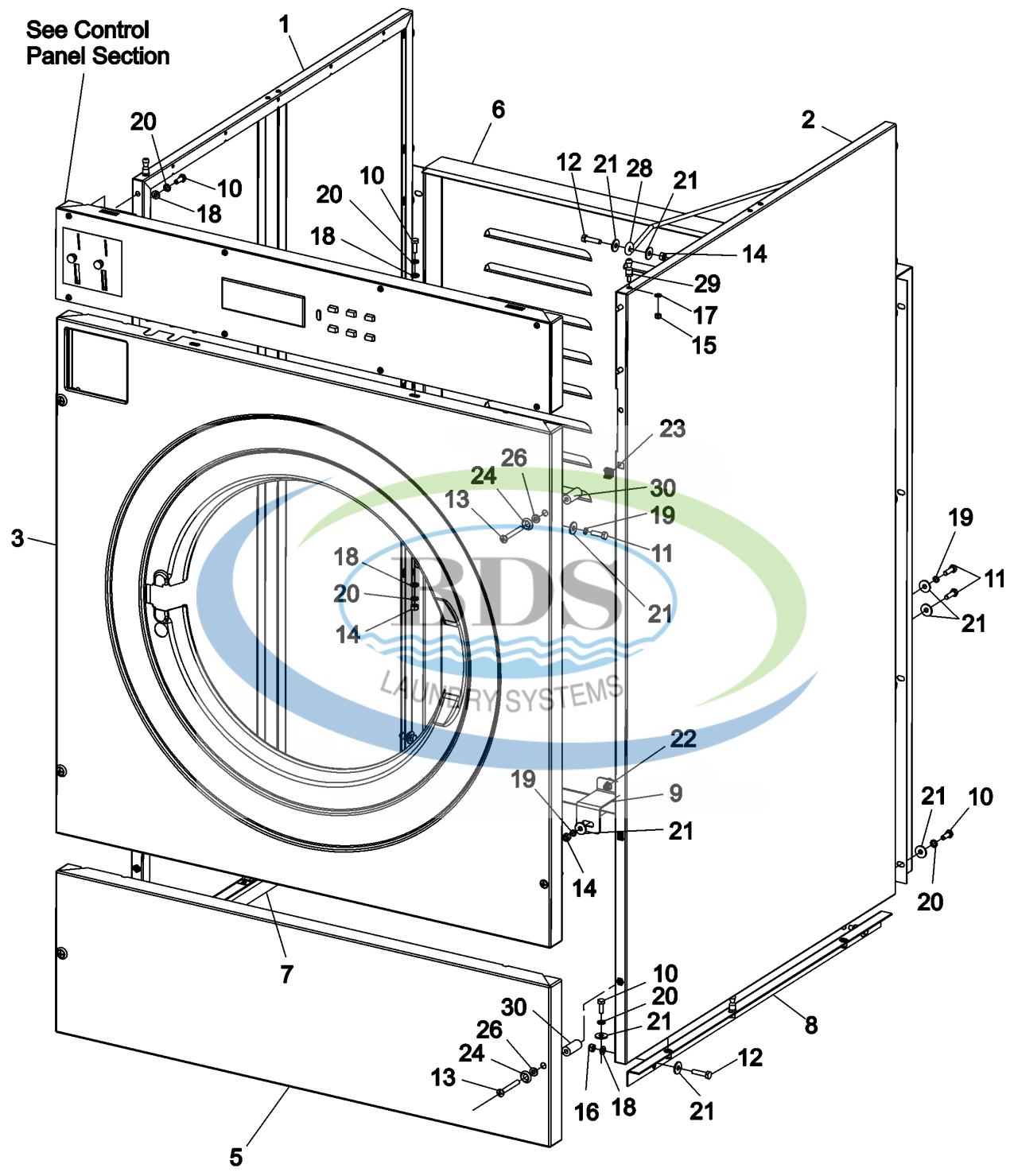


17Feb-05
519 329

Ref #	Part Number	Qty.	Description
1	23004042	1	FRAME WELDED
2	NLA	1	STRAPE
3	23004169	1	LWR TIGHTENER ROLLER
4	23004170	1	UPPR TIGHTENER ROLLER
5	23004267	1	BELT, SHOCK ABSOR 36``
6	NLA	1	SCREW (M8X80)
7	NLA	1	WASHER M8
8	NLA	1	NUT M8
9	23002461	4	SCREW (M6X16)
10	23002756	8	WASHER 12
11	23003773	4	NUT M6
12	23001266	1	NUT (M8)
13	23001608	1	WASHER (M8) LU
14	NLA	1	LOCK WASHER M8 EXT TEETH
15	23004093	5	RIVETING BLIND NUT M4
16	23004175	1	LOCK WASHER M6 EXT TEETH
17	23002424	1	WASHER
18	23002280	1	NUT M6
19	23004173	1	RIGHT CABINET REINFORCE
20	23004174	1	LEFT CABINET REINFORCE
21	23002462	4	SCREW (M6 X 20) LU

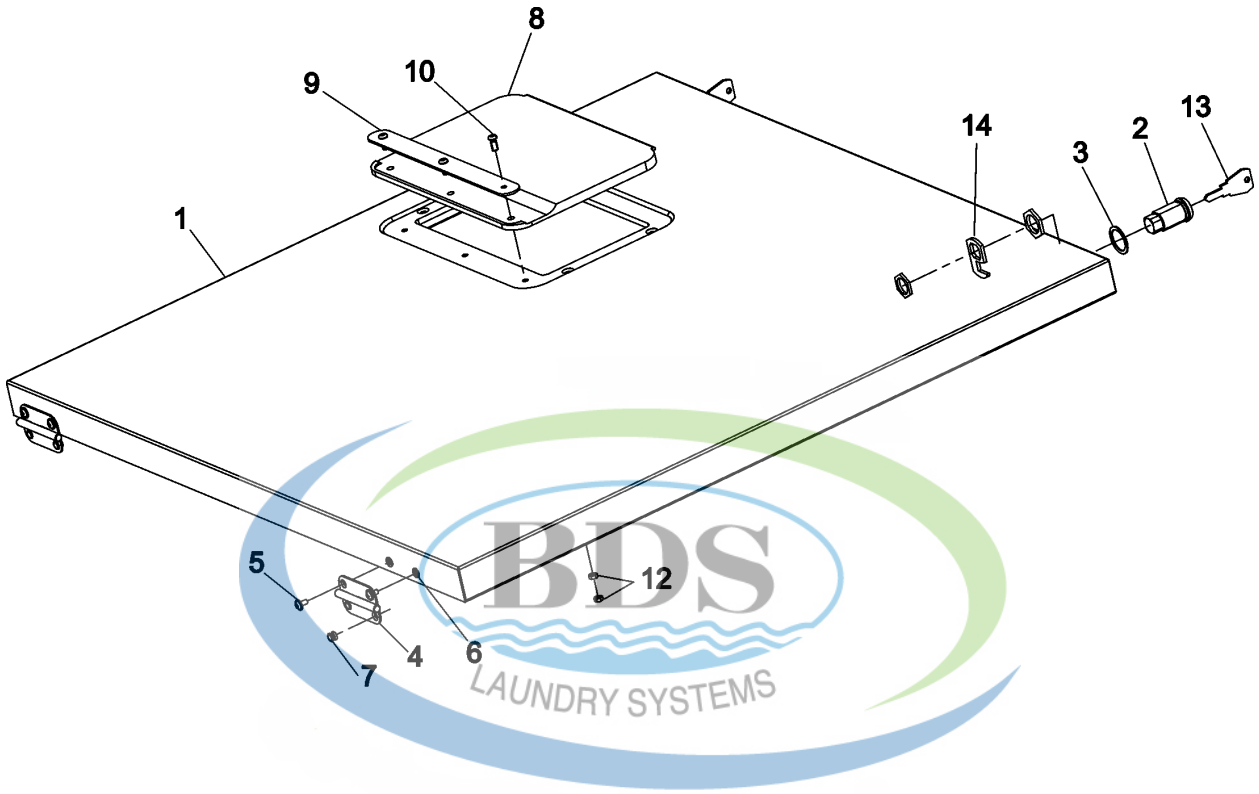




25-Feb-05
519 390

Ref #	Part Number	Qty.	Description
1	23004176	1	LEFT SIDE PANEL COMPLETE
2	23004177	1	RIGHT SIDE PANEL COMPLETE
3	23004178	1	FRONT PANEL COMP(PD)
3	23004515	1	FRONT PANEL,MFR40-50PD
5	23002857	1	PANEL, SERVICE (STAINLESS)
6	23004179	1	REAR COVER
7	23004180	1	LEFT SUPPORT RAIL
8	23004181	1	RIGHT SUPPORT RAIL
9	23004182	2	REAR COVER HOLDER
10	23002461	23	SCREW (M6X16)
11	23002462	12	SCREW (M6 X 20) LU
12	23002861	5	SCREW (M6X25) LU
13	23002456	6	SCREW (M6 X 50)
14	23003773	9	NUT M6
15	23003716	2	NUT M5
16	23002471	4	NUT
17	23002862	4	WASHER (5,3)
18	23003778	21	WASHER 12
19	23002440	14	WASHER, SPRING LOCK (6)
20	23002756	27	WASHER
21	23003012	33	WASHER LU
22	23004092	36	NUT M6
23	23002455	4	NUT, RAPID (M6)
24	23002457	6	WASHER
26	23001447	6	WASHER, FIBER (12 X 6 X 2)
28	23001330	1	SUPPORT ROD, TOP PANEL
29	23004183	4	PIN,ALIGNMENT
30	23002860	6	TUBE, DISTANCE

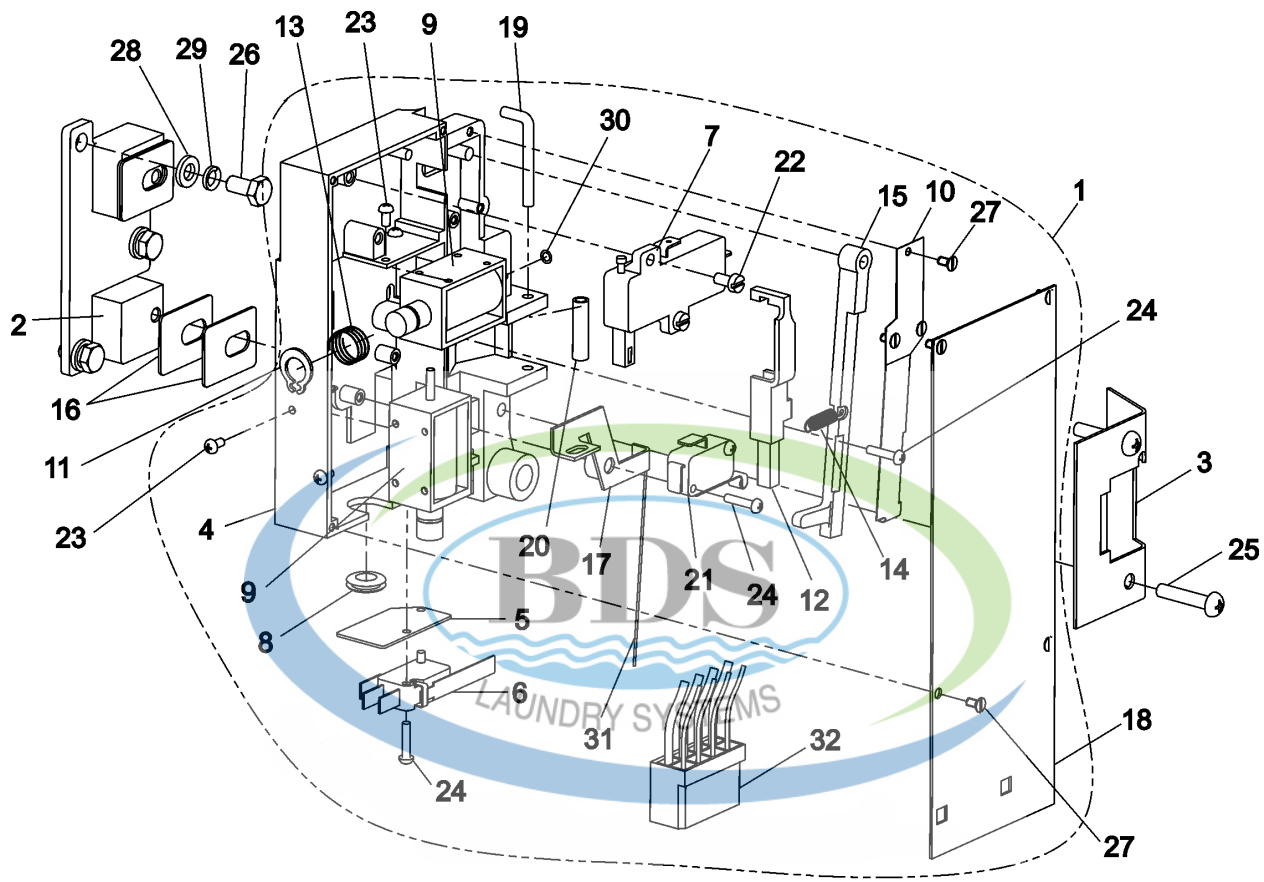




12-Sep-05
520 787A

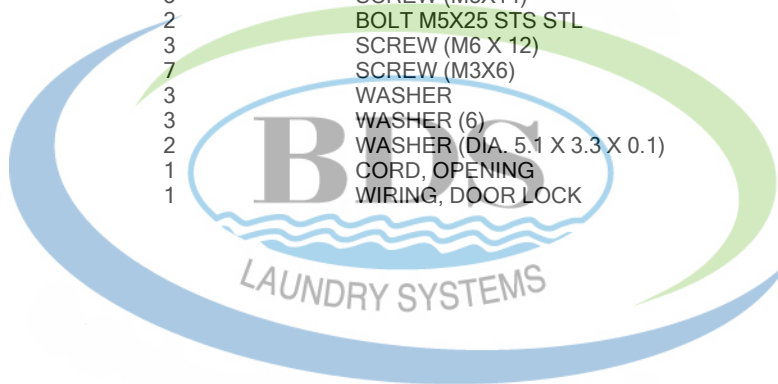
Ref #	Part Number	Qty.	Description
1	23004185	1	TOP COVER MFR40
2	23001006	2	LOCK, TOP PANEL
3	23001007	2	WASHER, FIBER
4	23004103	2	HINGE
5	23004104	4	BOLT M4 X 8
6	23004093	4	RIVETING BLIND NUT M4
7	23004105	4	RIVET 4X6,3
8	23001003	1	RUBBER COVER, SOAP BOX
9	23003781	1	LACTH, SOAP HOPPER COVER
10	23001012	3	SCREW (M4 X 12 STNLS STEEL)
12	23002652	6	NUT (QTY OF 4 = 1 PIECE)
13	23002673	1	KEY-TOP PANEL (25001)
14	23001009	2	LOCK HOOK (SHORT)

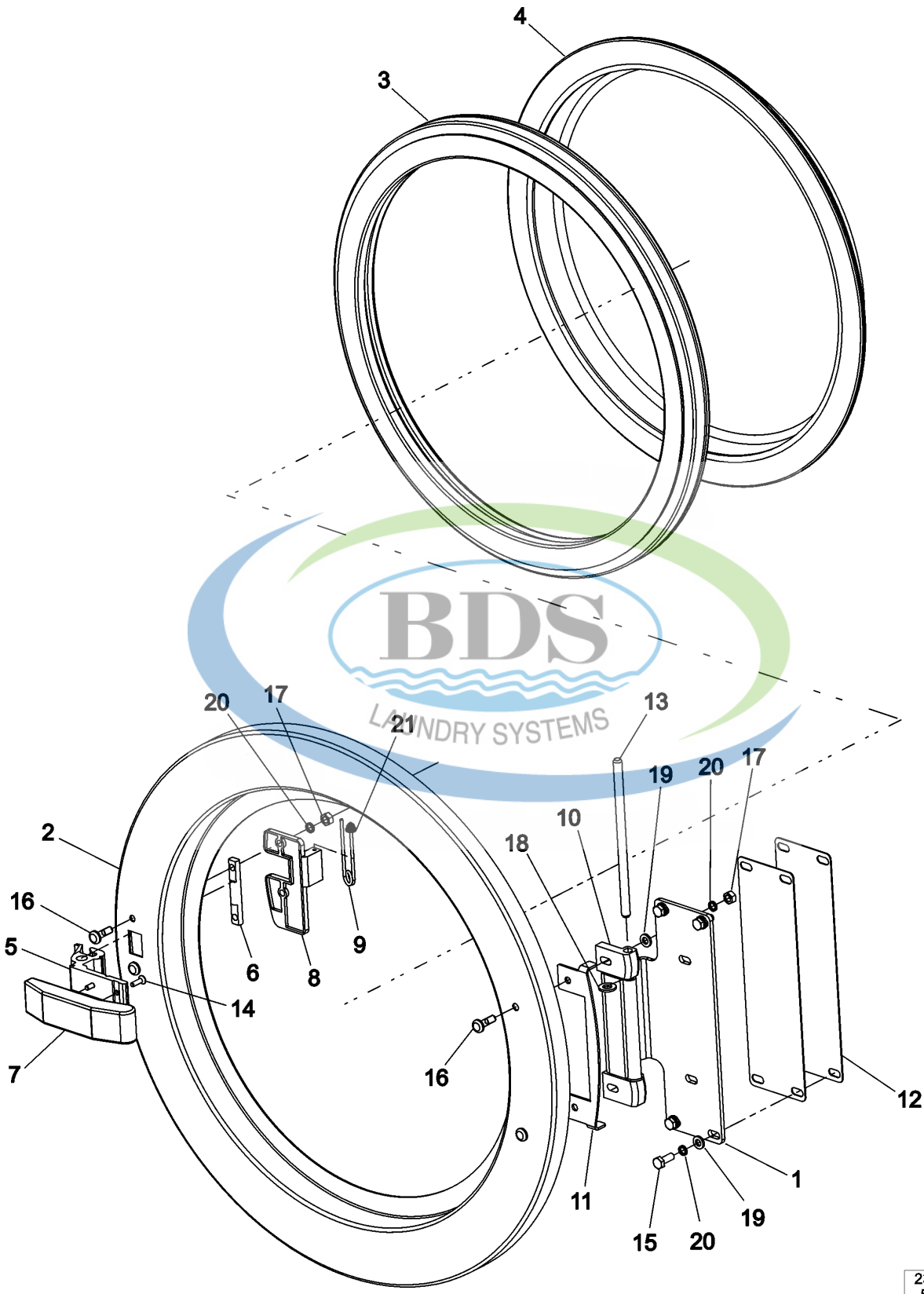




21-Feb-05
521 450

Ref #	Part Number	Qty.	Description
1	Y23002897	1	LOCK, DOOR (COMPLETE)
2	23001156	1	SPACER, LOCK
3	23004106	1	LOCK COVER
3	23004234	1	COVER, LOCK
4	Y23002898	1	GROUND, PLATE LOCK
5	23003863	1	PLATE, MICROSWITCH
6	23001145	1	MICROSWITCH, LONG LEVER
7	23001135	1	BIMETAL, ACTUATOR (230V)
8	23002479	1	PASSAGE, CABLE
9	23001146	2	COIL (240V)
10	23001149	1	LEAF SPRING, LATCH BAR
11	23001137	1	RING, RETAINING (G10)
12	23001140	1	BAR, LOCKING
13	23002903	1	SPRING, LOCKING PART
14	23002900	1	SPRING, LOCKING PART
15	23002899	1	HANDLE, LOCKING PART
16	23001368	4	SHIM, HINGE BASE
17	NLA	1	LEVEL, OPENING
18	23001130	1	PLATE, COVER (STNLS STEEL)
19	23001142	1	RETAINER, LOCK TUBE (DIA.4X45)
20	23001143	1	LOCK TUBE (DIA. 4X23.5 STNLS)
21	23002337	1	MICROSWITCH W/ ROLLER ARM
22	23003114	2	SCREW (M4X8) LU
23	23002869	4	SCREW (M3X6)
24	23001131	5	SCREW (M3X14)
25	NLA	2	BOLT M5X25 STS STL
26	NLA	3	SCREW (M6 X 12)
27	NLA	7	SCREW (M3X6)
28	23002424	3	WASHER
29	23001158	3	WASHER (6)
30	23001136	2	WASHER (DIA. 5.1 X 3.3 X 0.1)
31	NLA	1	CORD, OPENING
32	23002905	1	WIRING, DOOR LOCK

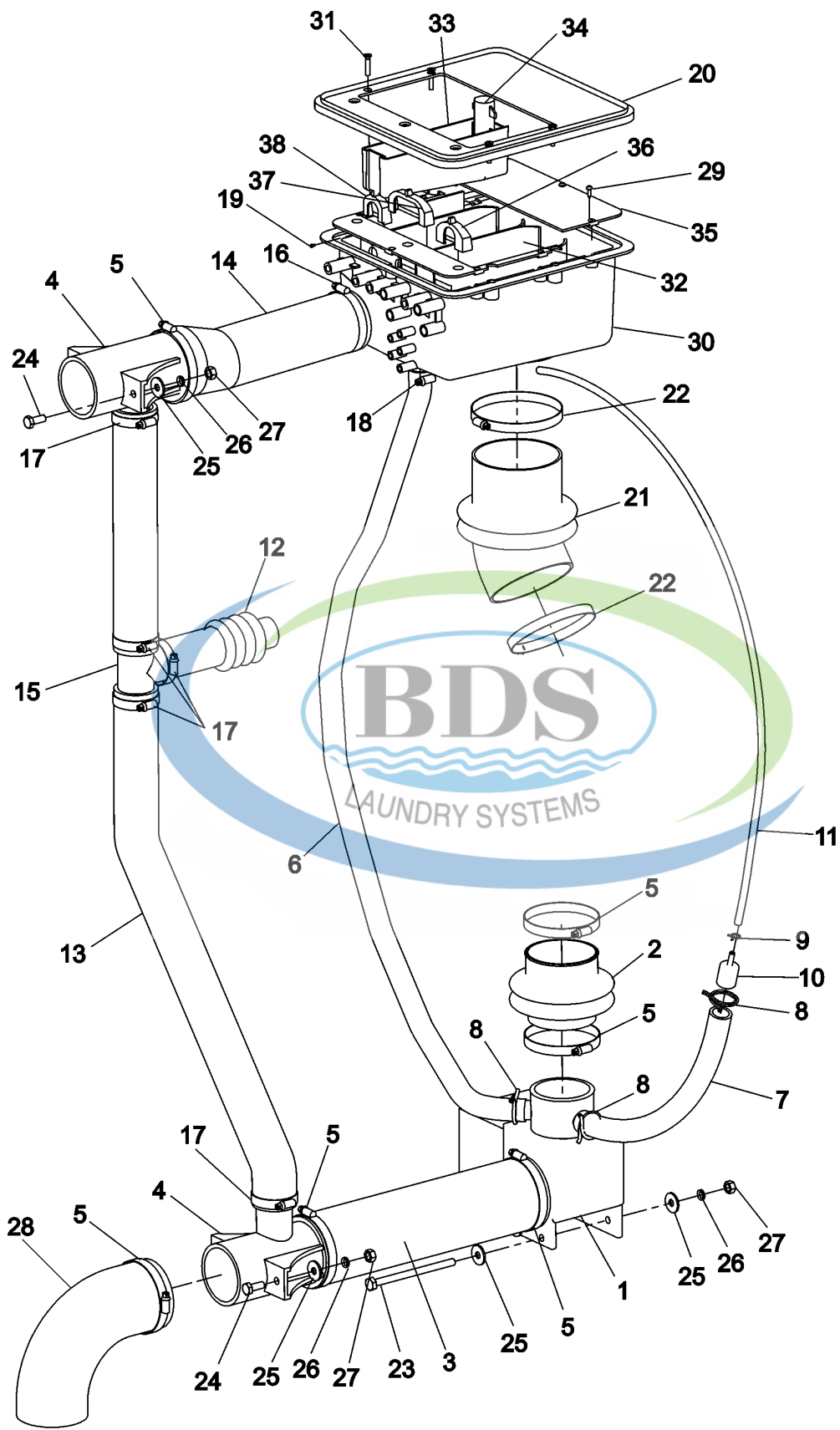




23-Sep-05
519 389A

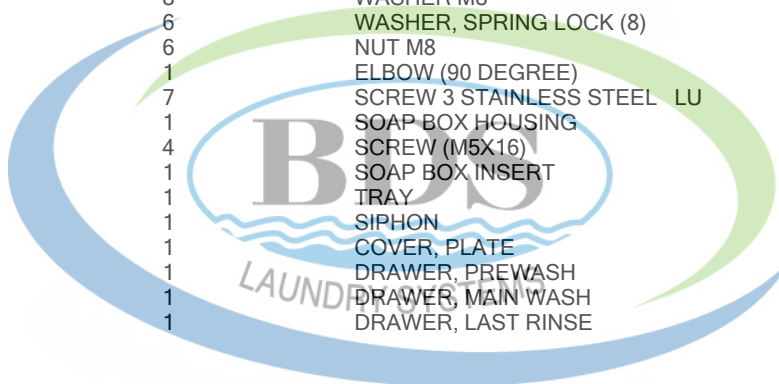
Ref #	Part Number	Qty.	Description
1	23004107	1	DOOR HINGE
2	23004108	1	DOOR FRAME
3	W10292561	1	DOORSEAL
4	23004109	1	GLASS
5	23003858	1	HANDLE
6	23001168	1	SHAFT, LEVER
7	23003860	1	PLATE, HANDLE ORNAMENTAL
8	23001370	1	HANDLE, LEVER PLATE
9	23001169	1	SPRING, HANDLE LEVER
10	23003545	1	BLOCKS, HINGE LU
11	23004110	1	HINGE BLOOK WASHER
12	23004111	2	SHIM
13	23004112	1	DOOR PIN
14	23004113	2	BOLT M4X12
15	23004114	4	BOLT M6 X 16
16	23001175	4	SCREW (M6X20 STAINLESS STEELLU
17	23002280	4	NUT M6
18	NLA	2	WASHER M8
19	23002424	6	WASHER
20	23001158	6	WASHER (6)
21	23002499	1	WASHER

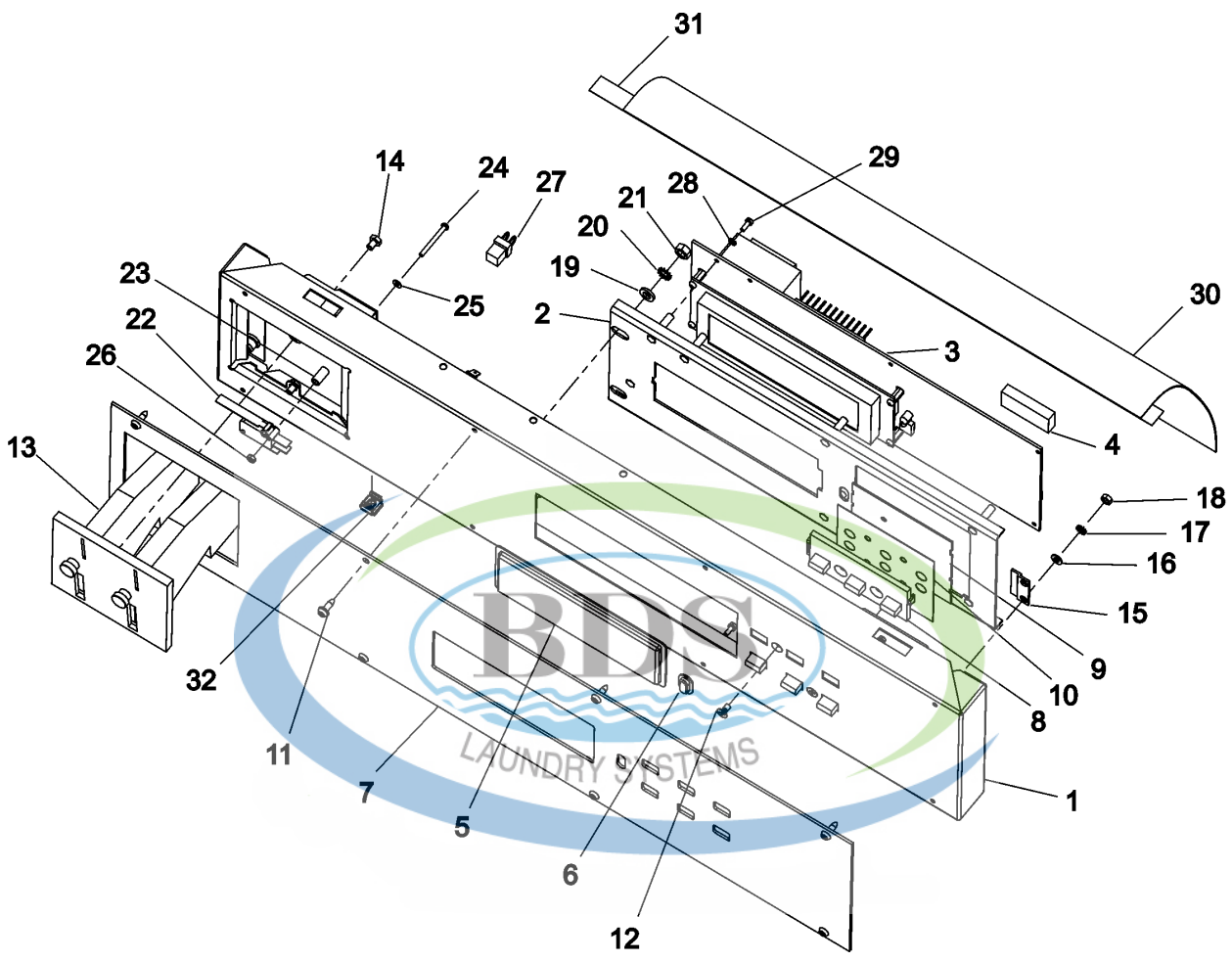




24-Feb-05
520 788

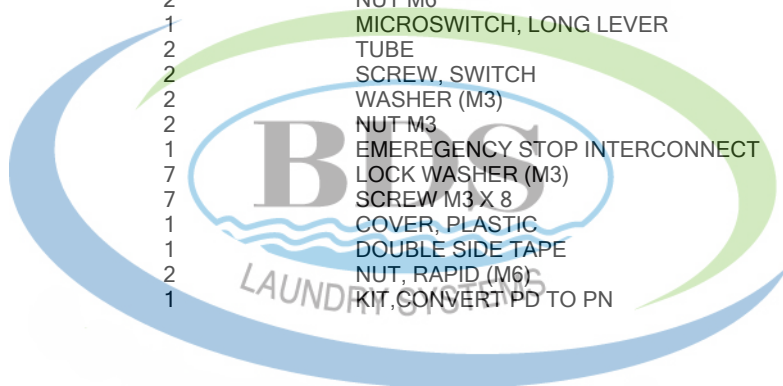
Ref #	Part Number	Qty.	Description
1	23001244	1	VALVE, DRAIN (240V-50/60HZ)
2	NLA	1	TUB, OUTLET VALVE HOSE
3	23001248	1	HOSE, DRAIN
4	23001253	2	DRAIN TEE
5	696392	6	CLAMP, HOSE (70-90)
6	23001246	1	HOSE, BOTTOM FILL
7	23001246	1	HOSE, BOTTOM FILL
8	23001259	3	CLAMP, CORBIN (A17.5)
9	596669	1	CLAMP, CORBIN (A5.5)
10	23001260	1	BUSHING, AIR DOME HOSE
11	23001252	1	HOSE, WATER LEVEL SWITCH
12	23001250	1	HOSE, AIR VENT
13	23001251	1	HOSE, OVERFLOW
14	23004241	1	AIR VENT HOSE, SOAP BOX
15	23001255	1	TEE, OVERFLOW HOSE
16	34001289	1	CLAMP, HOSE (60-80)
17	23001750	5	RING, CLAMP (40-60)
18	616099	1	CLAMP, HOSE (20-32)
19	23003783	3	SCREW 2
20	23001015	1	RUBBER SEAL, SOAP BOX
21	23004187	1	RUBBER, TUB SOAP HOPPER
22	23001025	2	CLAMP, HOSE (DIA 90/110)
23	23002908	2	SCREW (M8X120)
24	NLA	4	BOLT (M8X20)
25	23002437	8	WASHER M8
26	NLA	6	WASHER, SPRING LOCK (8)
27	NLA	6	NUT M8
28	23002015	1	ELBOW (90 DEGREE)
29	23003782	7	SCREW 3 STAINLESS STEEL LU
30	23001016	1	SOAP BOX HOUSING
31	23003484	4	SCREW (M5X16)
32	23001017	1	SOAP BOX INSERT
33	23001019	1	TRAY
34	23001018	1	SIPHON
35	23001020	1	COVER, PLATE
36	23001021	1	DRAWER, PREWASH
37	23001022	1	DRAWER, MAIN WASH
38	23001023	1	DRAWER, LAST RINSE

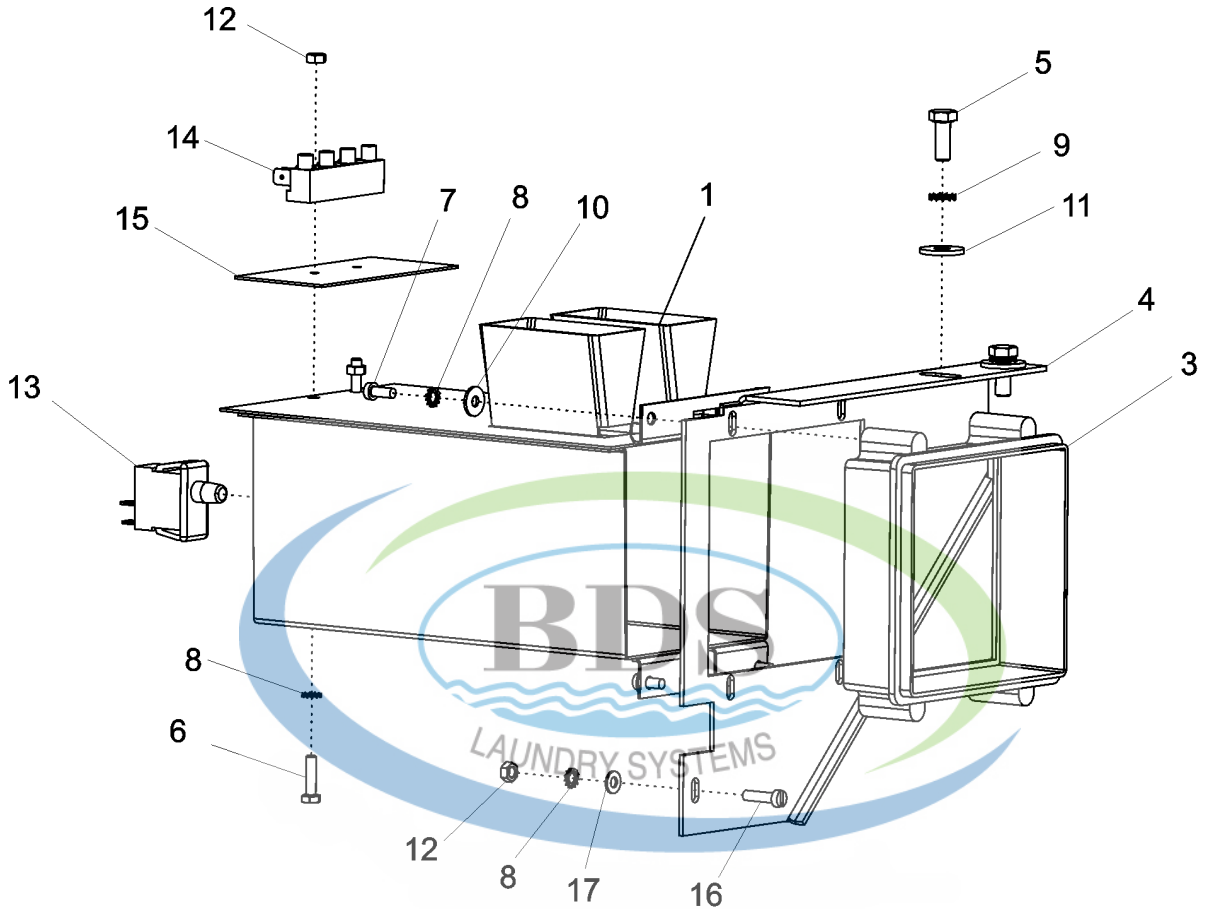




23-Feb-05
520 784

Ref #	Part Number	Qty.	Description
1	23004188	1	BRACKET, CONTROL PANEL
2	23004117	1	BRACKET, CONTROL BOARD LU
3	23004118	1	MC4 COIN CCU SERIES 10
3	W10343020	1	MC5 COIN CCU SERIES 22
4	W10165003	1	MCG EEPROM CHIP LU SERIES 10
4	W10387042	1	MC5 COIN PROGRAM CHIP SERIES 22
5	23004119	1	DISPLAY LENS
6	23004120	1	LENS, IR
7	23004189	1	CONTROL PANEL(FACIA) MFR40
8	23003646	2	BUTTONS, ROW OF 3
9	23004122	1	KEY BOARD
10	23004123	1	HOLD PLATE
11	W10131119	8	SCREW
12	23003811	2	SCREW
13	23004075	1	DUAL COIN DROP CANADA
13	23004124	1	COIN DROP 25 US
13	23004167	1	OPTIC SWITCH
14	23003797	1	BOLT
15	23004125	1	Z-BRACKET
16	23002438	4	WASHER (M6)
17	23002950	4	LOCK WASHER M4
18	NLA	4	NUT (M4)
19	23002756	2	WASHER 12
20	23002756	2	WASHER
21	23003773	2	NUT M6
22	23001145	1	MICROSWITCH, LONG LEVER
23	23003653	2	TUBE
24	23003652	2	SCREW, SWITCH
25	23003654	2	WASHER (M3)
26	23002958	2	NUT M3
27	23004127	1	EMEREGENCY STOP INTERCONNECT
28	NLA	7	LOCK WASHER (M3)
29	NLA	7	SCREW M3 X 8
30	NLA	1	COVER, PLASTIC
31	NLA	1	DOUBLE SIDE TAPE
32	23002455	2	NUT, RAPID (M6)
33	23004091	1	KIT, CONVERT PD TO PN

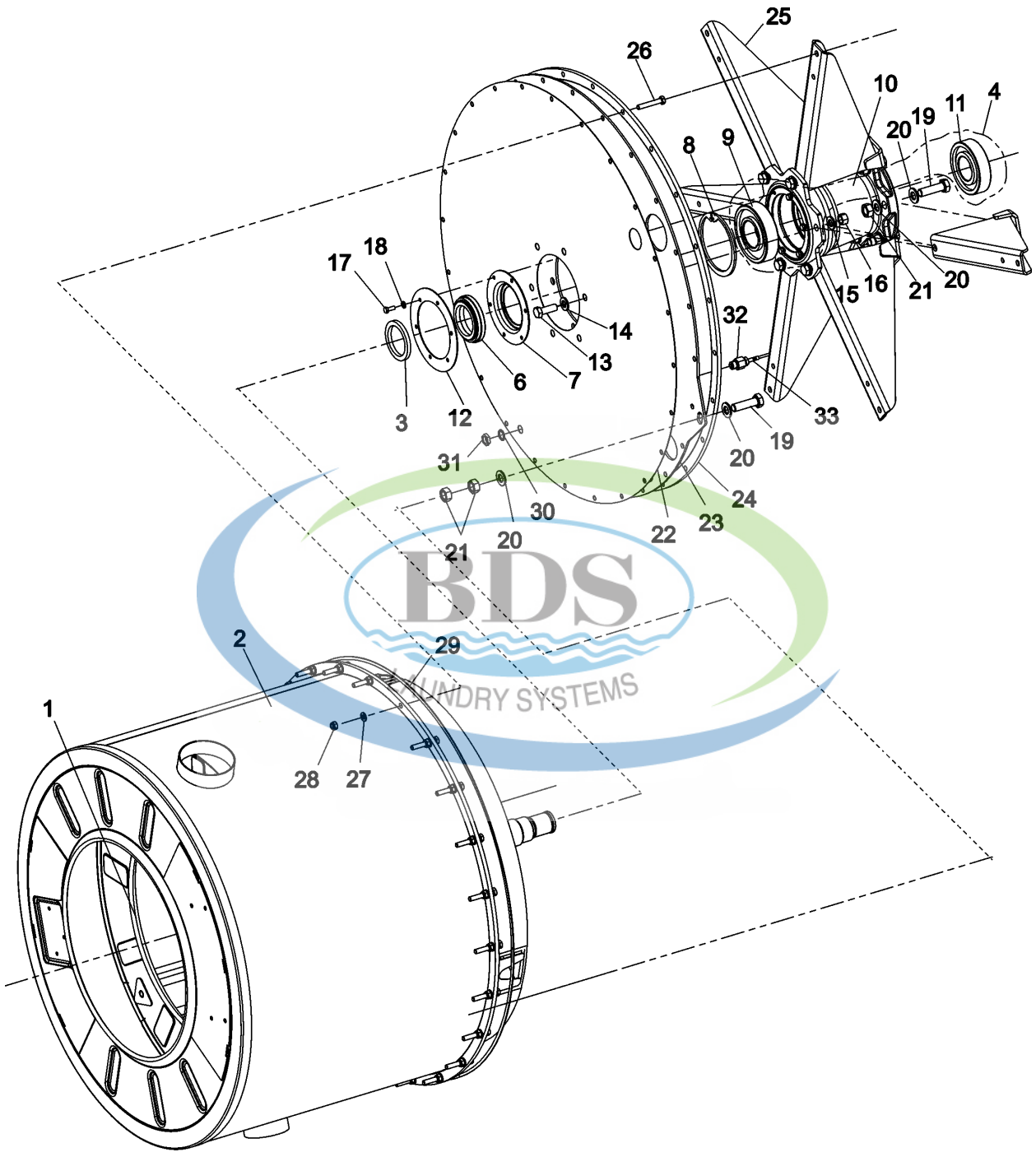




23-Feb-05
520 789

Ref #	Part Number	Qty.	Description
1	23004128	1	COINBOX VAULT
3	23004129	1	COINBOX FRAME
4	23004130	1	COINBOX BRACKET
5	23002461	2	SCREW (M6X16)
6	23004095	2	BOLT M4X16
7	NLA	4	SCREW (M4X10)
8	23002950	7	LOCK WASHER M4
9	23002756	2	WASHER
10	23002504	4	WASHER
11	23003012	2	WASHER LU
12	NLA	3	NUT (M4)
13	23003656	1	SWITCH, COIN BOX
14	23001113	1	CONNECTOR HOUSING (4 POLE)
15	23001115	1	INSULATION PAPER
16	23001012	1	SCREW (M4 X 12 STNLS STEEL)
17	23002438	1	WASHER (M6)

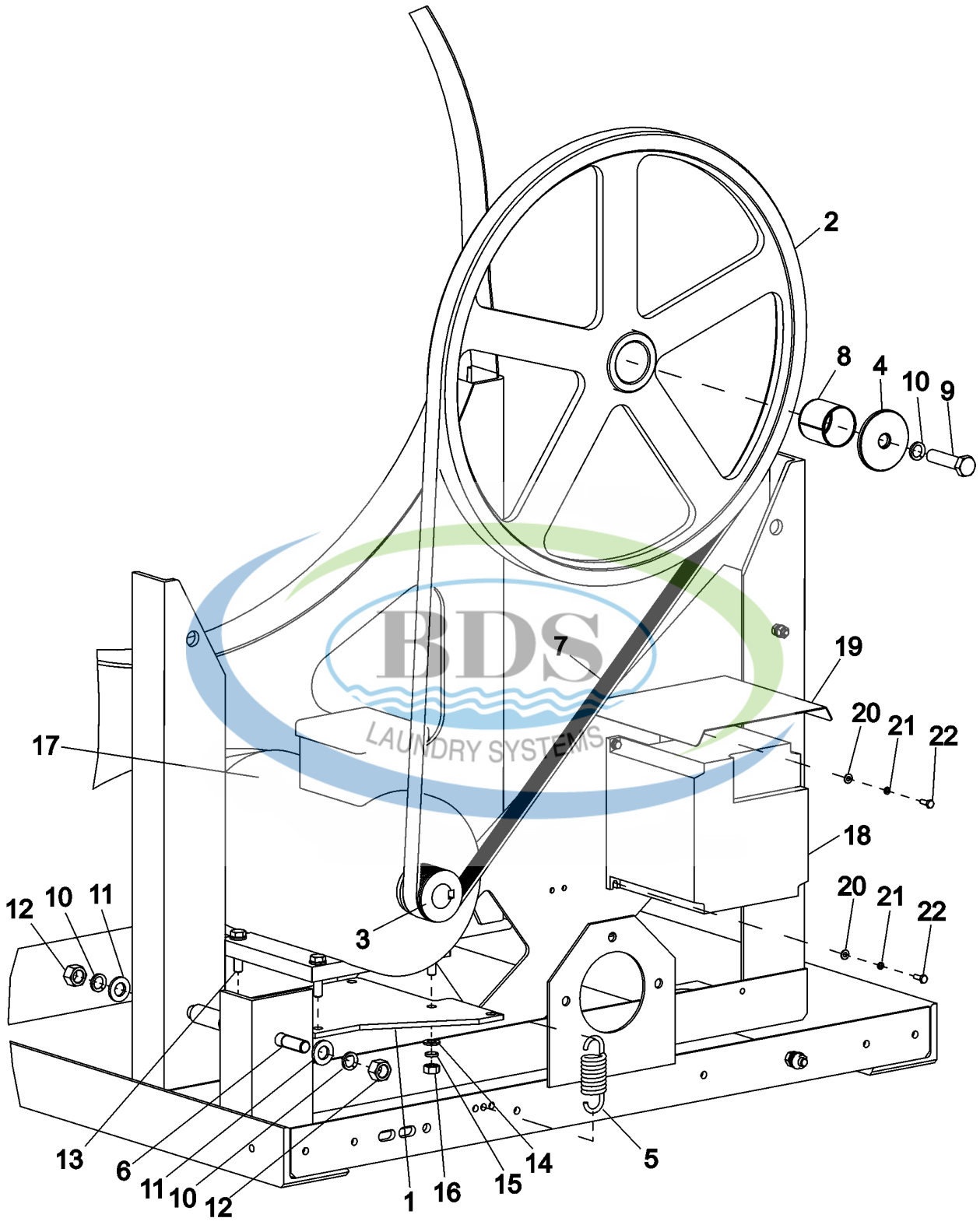




21-Feb-05
519 354

Ref #	Part Number	Qty.	Description
1	23004043	1	INNER TUB MFR40
2	23004044	1	OUTER TUB MFR40
3	23003608	1	RING, COUNTER
4	23004046	1	HUB COMPLETE
6	23003616	1	SEAL, AXIAL
7	23004045	1	AXIAL SEALING BOWL
8	23004047	1	RETAINING RING
9	23003614	1	BEARING
10	23004048	1	HUB
11	23003615	1	BEARING
12	23004049	1	SEALING RING
13	NLA	6	SCREW (M12 X 35)
14	NLA	6	WASHER 13
15	23002657	6	WASHER (13)
16	23001303	6	NUT M12
17	23004114	6	BOLT M6 X 16
18	23002281	6	WASHER (6-COPPER)
19	23002931	8	SCREW (M14X50)
20	23004194	16	WASHER15
21	23003746	10	NUT, M14
22	23004195	1	FOIL(BACKPLATE)
23	23004196	1	REINFORCEMENT PLATE
24	NLA	1	RING, CLAMP (24 HOLES)
25	23004197	6	SPOKE(BRACKET)
26	NLA	24	BOLT M8X50
27	NLA	24	WASHER M8
28	23001266	24	NUT (M8)
29	23004199	4	SPACER RING
30	23002179	1	WASHER
31	23002936	1	NUT, SENSOR BUSHING
32	23003807	1	BRACKET, THERMOSTAT SENSOR
33	23003964	1	SENSOR, TEMPERATURE

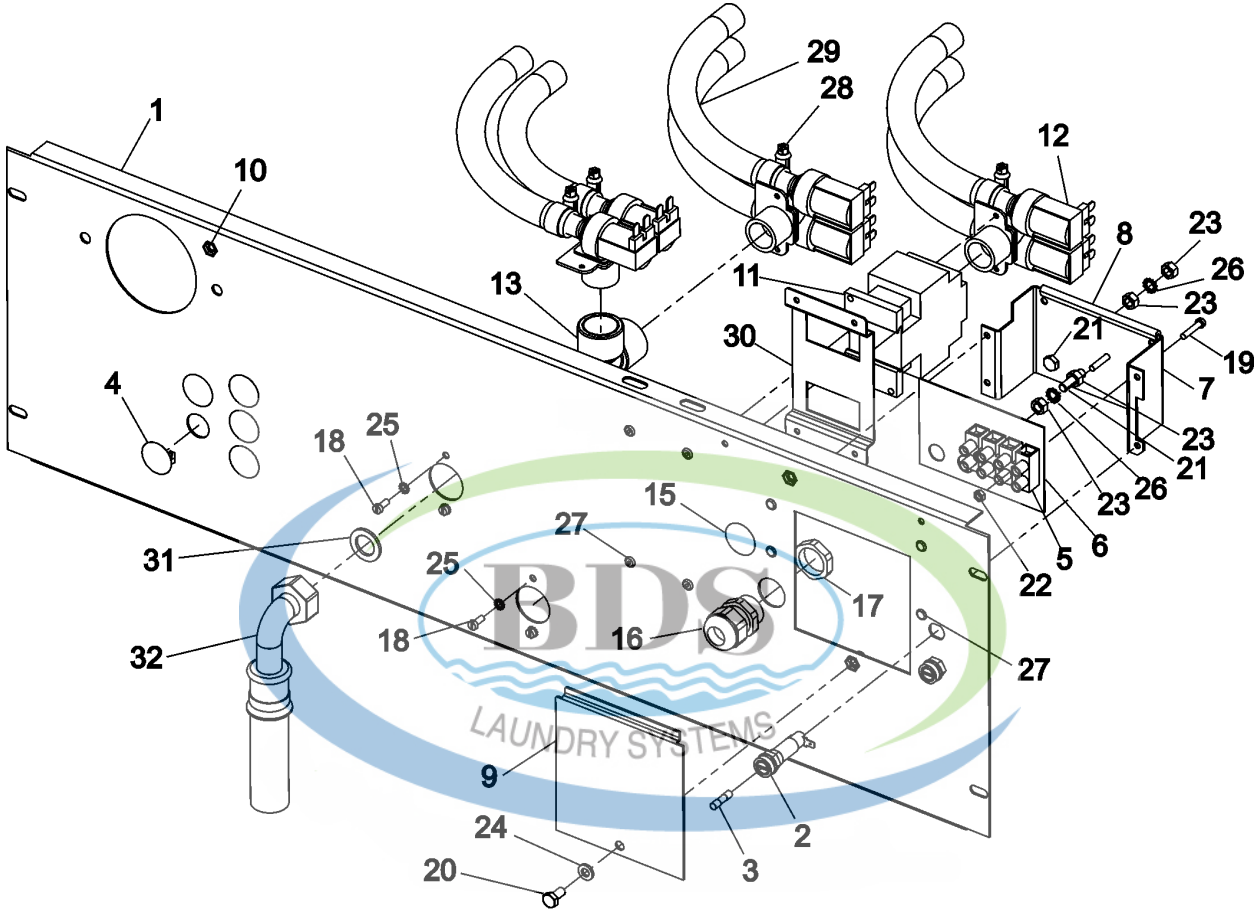




17-Feb-05
519 328

Ref #	Part Number	Qty.	Description
1	23004201	1	PLATE, MOTOR
2	23004202	1	PULLEY, DRUM LU
3	23004203	1	PULLEY, MOTOR
4	NLA	1	WASHER
5	23004156	1	SPRING, TENSION
6	23004152	1	MOTOR ROD
7	23004211	1	BELT
8	23004206	1	TOLERANCE RING
9	NLA	1	BOLT M12 X 50
10	23002658	3	WASHER (12)
11	23004193	2	WASHER 13
12	23001303	2	NUT M12
13	23003765	4	BOLT M8X35
14	NLA	8	WASHER M8
15	NLA	4	WASHER, SPRING LOCK (8)
16	NLA	4	NUT M8
17	23004081	1	MOTOR 240V 3PHASE
18	23004080	1	INVERTER MIT 1.5KW 1PHASE
18	23004220	1	FAN, INVERTER FREQ
18	W10415735	1	INVERTER STARTING WITH SERIES 22
19	NLA	1	INVERTER COVER
20	23002438	5	WASHER (M6)
21	23002400	5	WASHER
22	23004209	5	BOLT M4 X 12





9-March-05
519 392

Ref #	Part Number	Qty.	Description
1	NLA	1	PANEL, REAR
2	23001462	2	HOLDER, FUSE
3	23001508	2	FUSE (1A)
4	NLA	5	PLUG (13)
5	23002923	1	BOARD, TERMINAL
6	NLA	1	ELECTRO-INSUL FOIL
7	23004160	1	TERM BOARD BOX
8	23002473	1	RUBBER, PROTECTIVE
9	23003661	1	TERMINAL COVER LU
10	23001575	3	NUT M6
11	23003750	1	CONTACTOR LC1 D09
12	23001455	3	VALVE, TWO WAY (220V 50/60HZ)
13	23002924	1	T-PART (3/4)
15	23002795	1	PLUG
16	23002196	1	SWIVEL, CABLE
17	23002197	1	NUT
18	NLA	4	SCREW (M4X10)
19	NLA	2	SCREW (M4 X 20)
20	23001603	1	SCREW (M6 X 10)
21	23002806	2	SCREW (M6X25)
22	NLA	2	NUT (M4)
23	NLA	4	NUT (M6)
24	23002756	1	WASHER 12
25	23002950	4	LOCK WASHER M4
26	23002425	2	WASHER, LOCK
27	23004105	8	RIVET 4X6,3
28	596669	12	CLAMP, HOSE
29	23001507	1	WATERHOSE (GREEN)
30	23004161	1	BRACKET, CONTACTOR
31	23002921	4	WASHER, FILL HOSE
32	23001523	2	HOSE, CONNECTION
33	23004162	1	MAIN HARNESS
34	23004163	1	DOOR LOCK HARNESS
35	23004127	1	EMERGENCY STOP INTERCONNECT
36	NLA	1	EMERGENCY STOP HARNESS
37	23004164	1	CONNECTOR LIQ SOAP LU
38	23004165	1	MOTOR CABLE
39	23004210	1	COMMUNICATION CABLE

