

# WASHER

## Repair Parts List

MODEL NUMBER

MFR50PCATS

BDSPARTS.COM

When requesting service or ordering parts, always provide the following information:

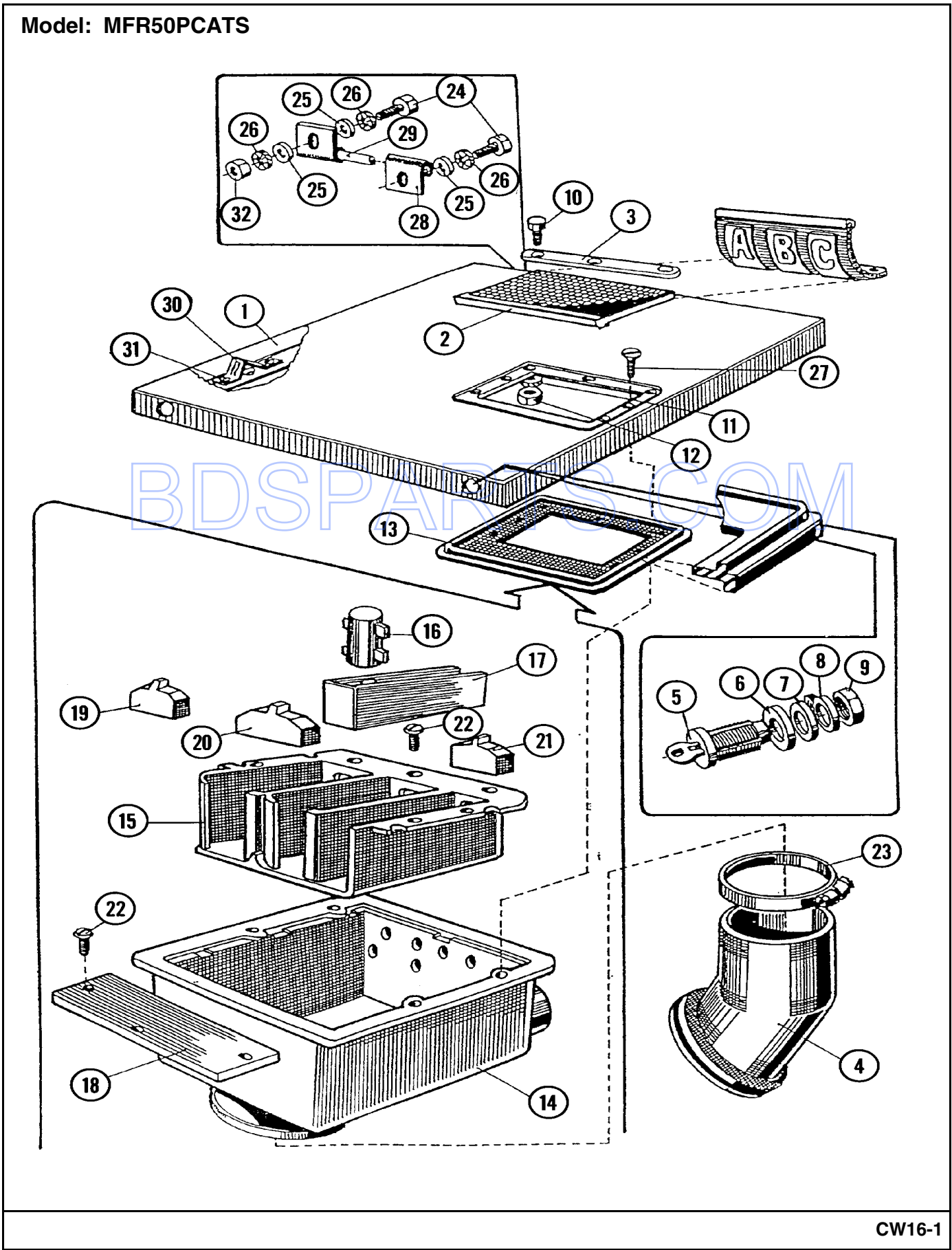
- Product Type
- Part Number
- Model Number
- Part Description

**MAYTAG**®

©2005 Maytag Services

Section: SOAP BOX & TOP COVER ASSEMBLY

Model: MFR50PCATS



CW16-1

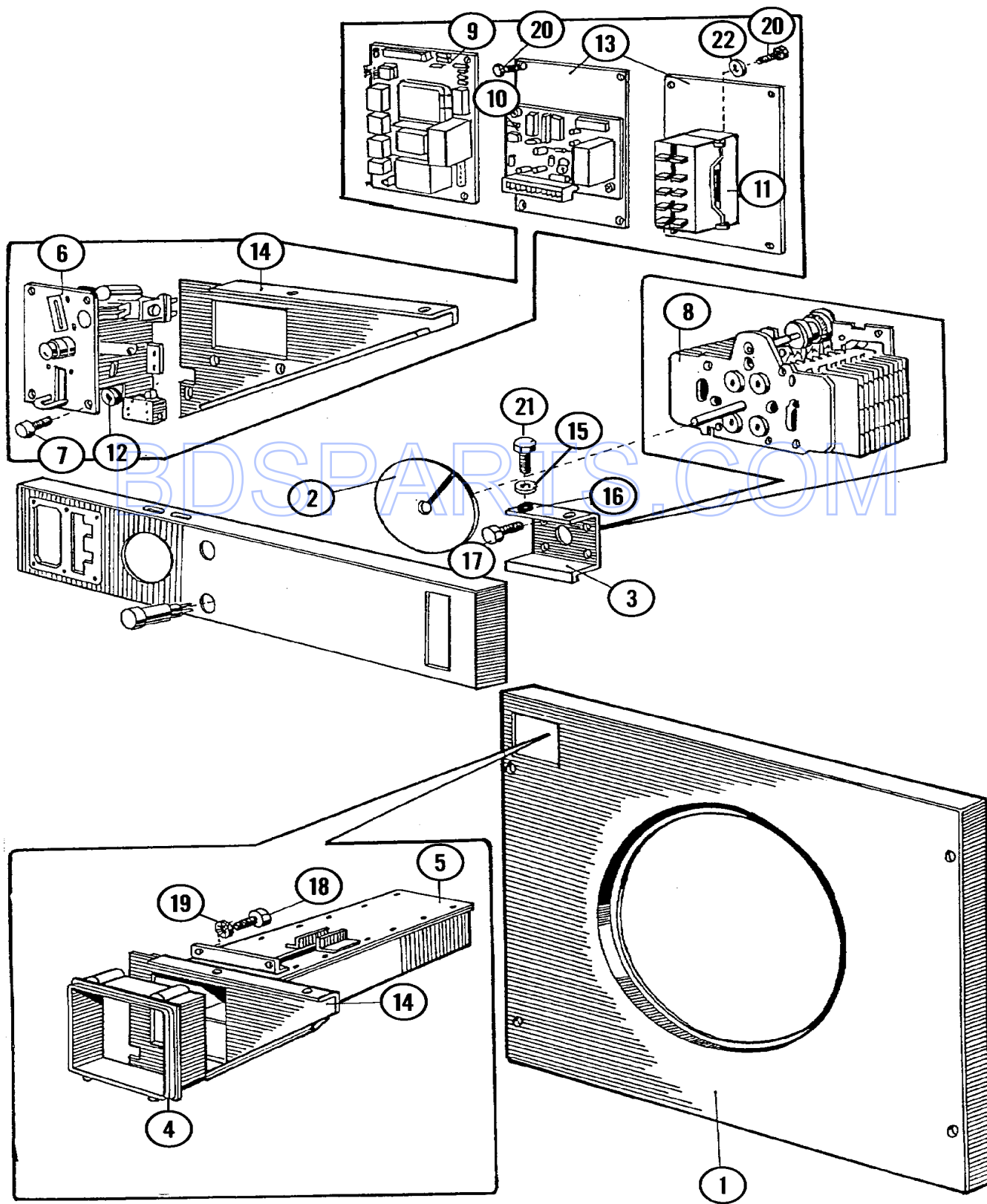
## Section: SOAP BOX & TOP COVER ASSEMBLY

No.	Part No.	Description	Series	Qty
1	23002892	COVER, TOP Note: COVER, TOP (STNLS STEEL)	10	1
2	23001003	RUBBER COVER, SOAP BOX	10	1
3	23001004	CLAMP, SOAP BOX COVER	10	1
4	23001005	RUBBER HOSE, SOAP BOX	10	1
-	23002673	KEY-TOP PANEL (25001)		1
5	23001006	LOCK, TOP PANEL	10	1
6	23001007	WASHER, FIBER	10	2
7	23001008	LOCK NUT (LARGE) Note: NUT, LOCK (LARGE)	10	2
8	23001009	LOCK HOOK (SHORT) Note: HOOK, LOCK (SHORT)	10	2
9	23001011	NUT	10	3
10	23001012	SCREW (M4 X 12 STNLS STEEL)	10	3
11	23001636	WASHER Note: SPRING, LOCKWASHER (4)	10	3
12	23001014	NUT (M4)	10	3
13	23001015	RUBBER SEAL, SOAP BOX	10	1
14	23001016	SOAP BOX HOUSING Note: HOUSING, SOAP BOX	10	1
15	23001017	SOAP BOX INSERT Note: INSERT, SOAP BOX	10	1
16	23001018	SIPHON	10	1
17	23001019	TRAY	10	1
18	23001020	COVER, PLATE	10	1
-	23002318	SCREW, PAN HEAD (SLOTTED)	10	1
19	23001021	DRAWER, PREWASH	10	1
20	23001022	DRAWER, MAIN WASH	10	1
21	23001023	DRAWER, LAST RINSE	10	1
22	23001024	SCREW Note: (SLOTTED PAN HEAD TAPPING SCREW. DIA. 3.5 X 9.5 STAINLESS STEEL)	10	8
23	23001025	CLAMP, HOSE (DIA 90/110)	10	1
24	23001307	BOLT (M6 X 20)	10	4
25	23001027	WASHER (DIA. 12 X 6.5 X 1.6)	10	6
26	23001028	LOCK WASHER EXTERNAL TEETHM6LU Note: LOCKWASHER (EXTERNAL TEETH M6)	10	4
27	23001029	SCREW, FLAT HD (STLS M5X15MM) Note: (M5 X 15 PK STAINLESS STEEL)	10	4
28	23001030	HINGE, TOP COVER	10	4
29	23001031	HINGE SHAFT (10 X 56 BRASS) Note: SHAFT, HINGE (10 X 56 BRASS)	10	2
30	23001032	CLAMP, SRV	10	2
31	23001033	RIVETS, BLIND (DIA. 3.2 X 8)LU	10	4
32	23001034	NUT (M6)	10	2
-	23001550	LABEL, EARTH Note: STICKER, SERVICE WARNING	10	1

\*Color Code (-)=Not Shown #=Series, Serial Prefix or Run No., N=Not Available

Section: TIMER & COIN ASSEMBLY

Model: MFR50PCATS



CW15-5

**Section: TIMER & COIN ASSEMBLY**

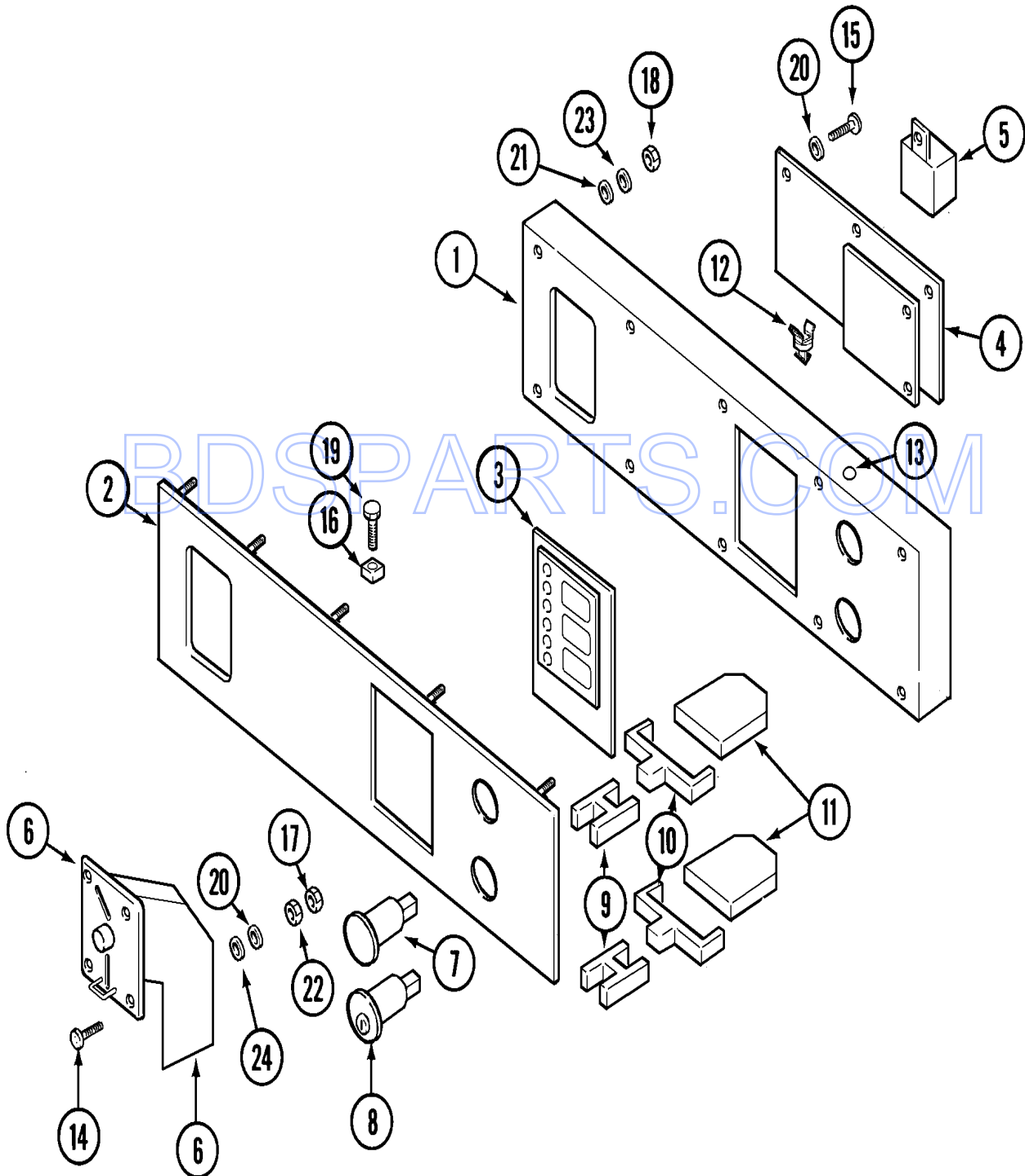
No.	Part No.	Description	Series	Qty
1	23001320	PANEL, FRONT (SS)COIN Note: PANEL, FRONT (STNLS STEEL)	10	1
4	23001062	COLLAR, COIN VAULT	10	1
5	23001349	VAULT, COIN	10	1
6	23001063	COIN METER (25 CENTS-240V) Note: METER, COIN (25 CENTS-240V)	10	1
7	23001064	ORNAMENTAL SCREW (M3 X 10) Note: SCREW, ORNAMENTAL (M3 X 10)	10	1
-	23001693	MEMORY	10	1
9	23001066	COIN COUNTER (W/LED DISPLAY) Note: COUNTER, COIN (W/LED DISPLAY)	10	1
10	-----	NOT REQUIRED PART OR SEE NOTE	10	1
12	23001053	NUT (M3)	10	1
14	23001502	SUPPORT, COIN VAULT	10	1
18	23001070	SCREW (M4X10)	10	1
19	23001013	LOCK WASHER EXTERNAL TEETH M4 Note: LOCKWASHER (EXTERNAL TEETH M4)	10	1
-	23002195	PC-PN CONVERSION KIT	10	1
-	23002333	PC TO PN CONVERSION (CSA)	10	1

BDSPARTS.COM

\*Color Code (-)=Not Shown #=Series, Serial Prefix or Run No., N=Not Available

Section: CONTROL PANEL (PC & PN MODELS)

Model: MFR50PCATS



CW11-33

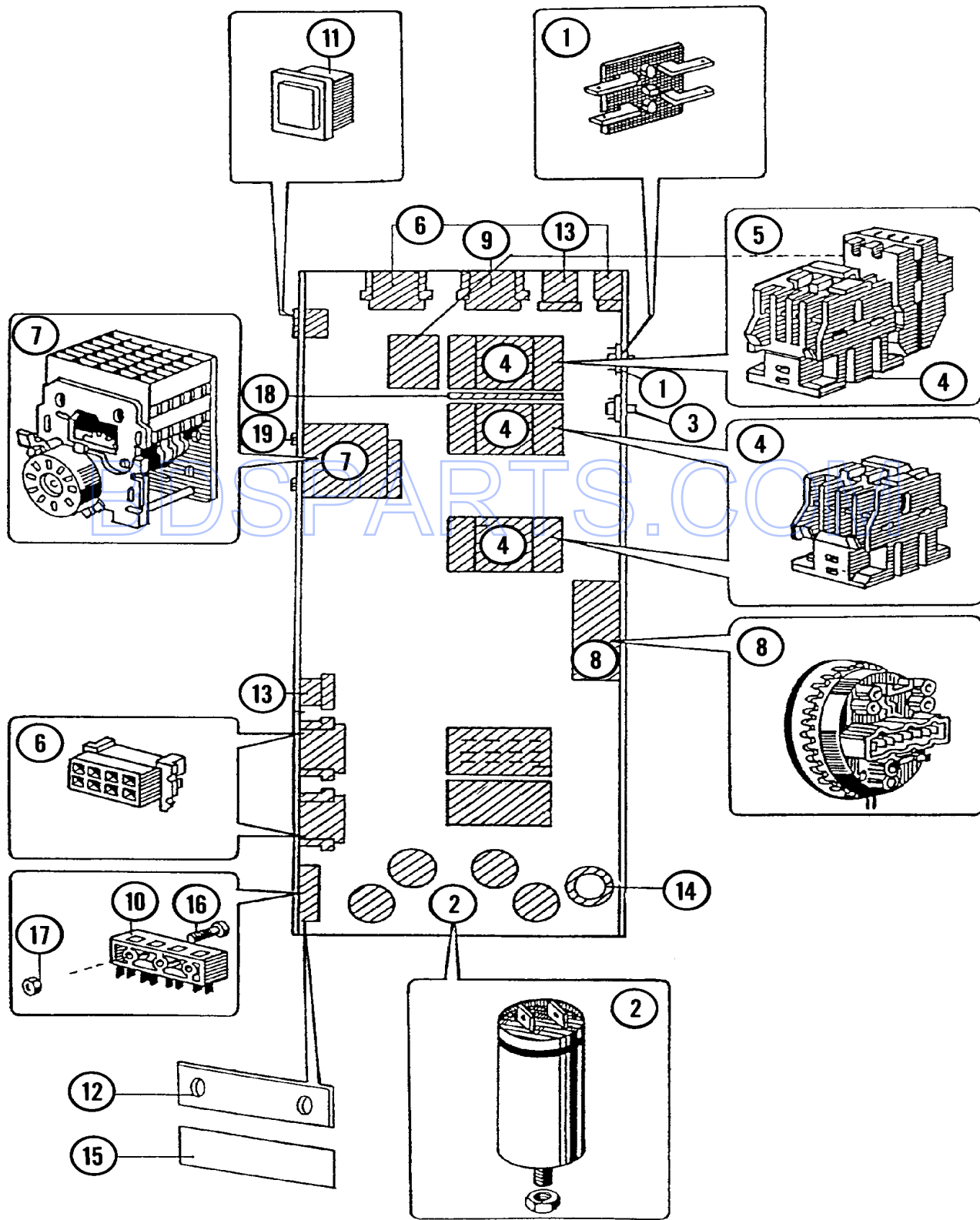
**Section: CONTROL PANEL (PC & PN MODELS)**

No.	Part No.	Description	Series	Qty
1	N 23002173	PANEL, CONTROL	10	1
2	N 23001497	FACIA, CONTROL PANEL (PC)	10	1
3	23001526	PLEXI, MICROPROCESSOR	10	1
4	23001525	MICROPROCESSOR	10	1
5	23003741	CONTROLLER, APL283A V1.07	10	1
6	23001063	COIN METER (25 CENTS-240V)	10	1
7	23001537	PUSH BUTTON	10	1
8	23001538	KEY BLOCK	10	1
9	N 23001539	CONNECTION PART	10	1
10	23001540	ADAPTER, CONTACT BLOCK	10	1
11	23001541	BLOCK, CONTACT (ON)	10	1
12	23001542	HOLDER	10	1
13	N 23001546	LABEL, EARTH	10	1
14	23001064	ORNAMENTAL SCREW (M3 X 10)	10	1
15	23001544	BOLT (M3X10)	10	1
16	N 23001543	BOLT	10	1
17	23001053	NUT (M3)	10	1
18	23001055	NUT (M4)	10	1
19	23001339	NUT, CAGE	10	1
20	23002174	WASHER (3.2)	10	1
21	23001545	WASHER	10	1
22	23001054	LOCKING WASHER	10	1
23	23001013	LOCK WASHER EXTERNAL TEETH M4	10	1
24	23001610	WASHER (4.3)	10	1
-	N 23001086	INSERT PLATE, MANUAL OPERATION	10	1

\*Color Code (-)=Not Shown #=Series, Serial Prefix or Run No., N=Not Available

Section: MAIN CONTROLS

Model: MFR50PCATS



CW14-37



## Section: MAIN CONTROLS

No.	Part No.	Description	Series	Qty
1	23001094	BRIDGE, RECTIFIER	10	1
2	23001098	CAPACITOR (130MF)	10	1
2	23001096	CAPACITOR (60MF)	10	1
3	23001099	PC BOARD SOCKET Note: SOCKET, PC BOARD	10	1
4	23001100	CONTACTOR (LC1-D0901 M7)	10	1
4	23001101	CONTACTOR (LC1-D1201 M7)	10	1
5	23001105	RELAY, THERMAL OVERLOAD (9-13A)	10	1
8	23001111	SWITCH, WATER LEVEL	10	1
9	23001112	CONNECTOR HOUSING (6 POLE) Note: HOUSING, CONNECTOR (6 POLE)	10	1
10	23002154	BOARD, TERMINAL (6 POLES) Note: HOUSING, CONNECTOR (6 POLE)	10	1
11	23001114	ROCKER SWITCH, PREWASH/NO PREW Note: SWITCH, ROCKER (PREWASH)	10	1
12	23001115	INSULATION PAPER Note: PAPER, INSULATION	10	1
13	23001116	CONNECTOR HOUSING (4 POLE) Note: HOUSING, CONNECTOR (4 POLE)	10	1
14	23001117	RING, RUBBER (DIA. 25)	10	1
15	23001118	STICKER, LIQUID SOAP	10	1
16	23001089	SCREW (M4 X 16 CK)	10	1
17	23001055	NUT (M4)	10	1
18	23001119	MECHANICAL INTERLOCK, CONTACTO Note: MECH. INTERLOCK, CONTACTOR	10	1
19	23001069	BOLT (M4X4) Note: SCREW (M4 X 4)	10	1
- N	23001514	SCREW (M6 X 25)	10	1
-	23001515	NUT (M6)	10	1
- N	23001516	WASHER (M6)	10	1
- N	23001518	NET FILTER Note: SERIES 15 - NO LONGER NEEDED	10	1
-	23001465	STICKER, ELECTRICITY WARNING	10	1
- N	23001517	STICKER	10	1
- N	23001546	LABEL, EARTH	10	1

\*Color Code (-)=Not Shown #=Series, Serial Prefix or Run No., N=Not Available



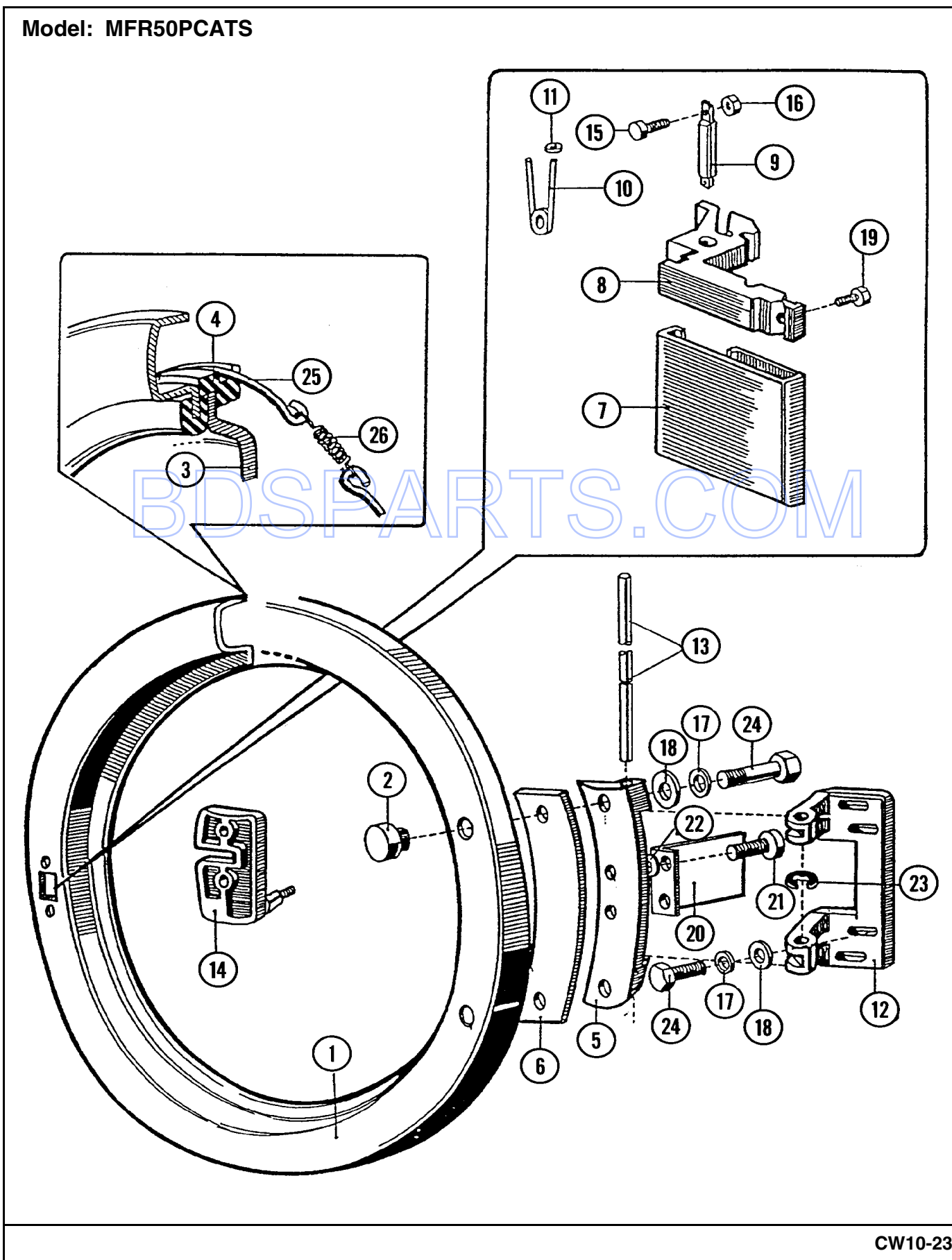
## Section: DOOR LOCK ASSEMBLY

No.	Part No.	Description	Series	Qty
1	23001129	DOORLOCK (COMPLETE-220V 50/60)	10	1
2	23001130	PLATE, COVER (STNLS STEEL)	10	1
3	23001131	SCREW (M3 X 14 CROSS RECESSED)	10	1
4	23001132	SCREW (M3 X 4 CROSS RECESSED)	10	1
5	23001133	SCREW (M5 X 25 STAINLESS STEEL Note: SCREW (M5 X 25 STNLS STEEL)	10	1
6	23001070	SCREW (M4X10) Note: SCREW (M4X8)	10	1
7	23001134	BOLT (M3 X 6)	10	1
8	23001135	BIMETAL, ACTUATOR (230V)	10	1
9	23001136	WASHER (DIA. 5.1 X 3.3 X 0.1)	10	1
10	23001137	RING, RETAINING (G10)	10	1
11	23001138	BUSHING, CABLE PASSAGE	10	1
12	23001139	HOUSING, DOOR LOCK	10	1
13	23001140	BAR, LOCKING	10	1
14	23001141	BAR, HANDLE LATCH	10	1
15	23001142	RETAINER, LOCK TUBE (DIA.4X45)	10	1
16	23001143	LOCK TUBE (DIA. 4X23.5 STNLS) Note: TUBE, LOCK (DIA. 4X23.5 STNLS)	10	1
17	23001144	MICROSWITCH, SHORT LEVER Note: MICROSWITCH, LEVER (SHORT)	10	1
18	23001145	MICROSWITCH, LONG LEVER Note: MICROSWITCH, LEVER (LONG)	10	1
19	23001146	COIL (240V)	10	1
19	23001147	COIL (120V)	10	1
20	23001148	COIL SPRING, HANDLE LATCH BAR	10	1
21	23001149	LEAF SPRING, LATCH BAR	10	1
22	23001152	CORD, EMERGENCY OPENING	10	1
23	23001153	LEVER, EMERGENCY OPENING	10	1
24	23001154	WIRING HARNESS, DOORLOCK	10	1
25	23001155	SHIM	10	1
26	23001156	SPACER, LOCK	10	1
27	23001157	BOLT (M6 X 12 STAINLESS STEEL) Note: BOLT (M6 X 12 STNLS STEEL)	10	1
28	23001158	WASHER (M6) Note: SPRING, LOCKWASHER (M6)	10	1
29	23001159	WASHER (DIA. 14X8.6X1 STNLS)LU	10	1

\*Color Code (-)=Not Shown #=Series, Serial Prefix or Run No., N=Not Available

Section: DOOR

Model: MFR50PCATS



CW10-23

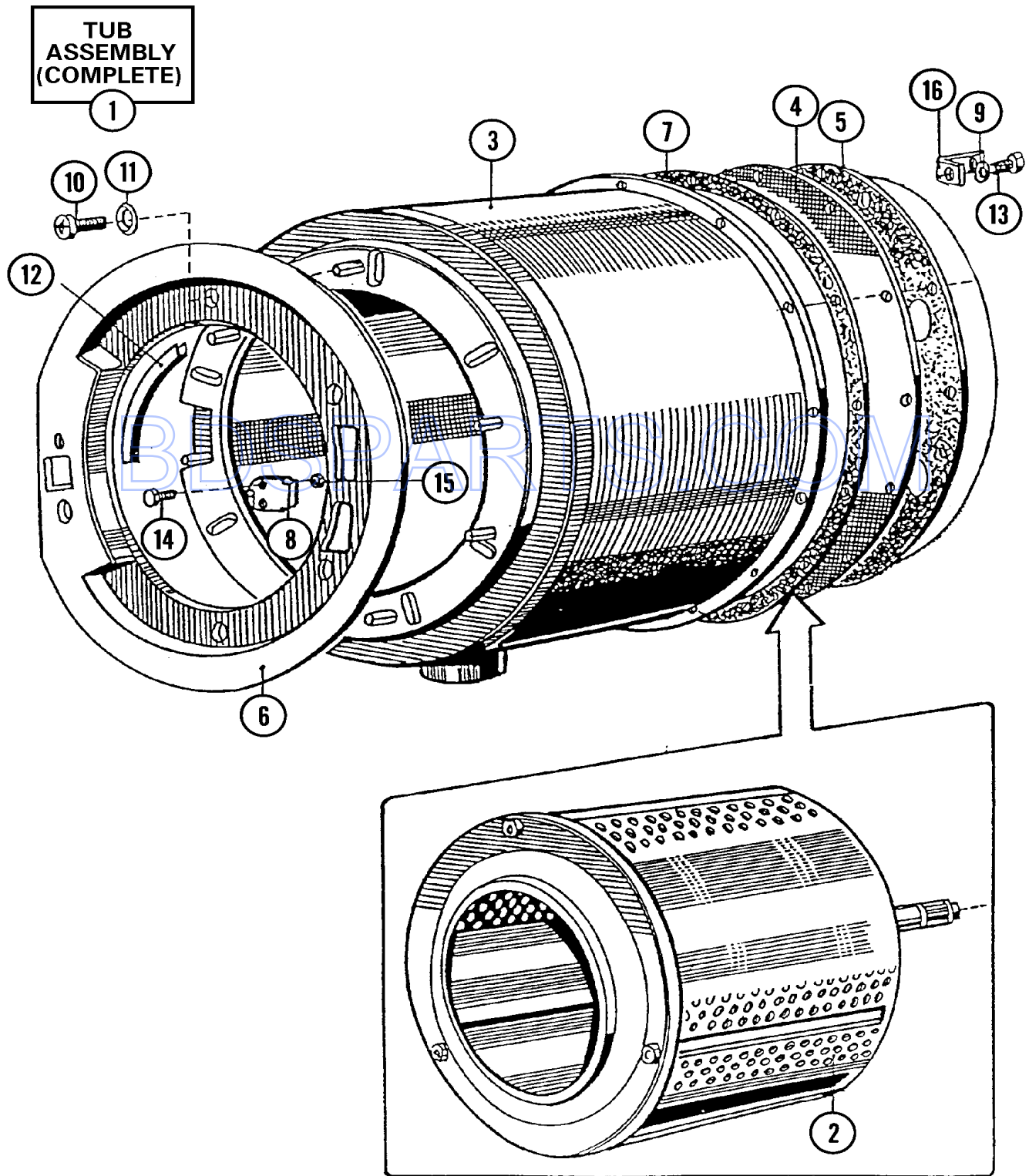
## Section: DOOR

No.	Part No.	Description	Series	Qty
1	23001161	RING, DOOR	10	1
2	23001162	NUT, ORNAMENTAL (STNLS STEEL)	10	1
3	23001163	GLASS, DOOR	10	1
4	23001164	GASKET, DOOR GLASS	10	1
5	23001165	PLATE, HINGE	10	1
6	23001166	SHIM, HINGE PLATE	10	1
-	23003631	HANDLE, DOOR (FRONT) Note: MUST PURCHASE 23003700 ASSY NOT AVAILABLE SEPARATELY	14	1
-	23003632	HANDLE, DOOR (BACK) Note: MUST PURCHASE 23003700 NOT AVAILABLE SEPARATELY	14	1
-	23003700	HANDLE, DOOR ASSEMBLY Note: HANDLE, FRONT & BACK INCLUDED	14	1
7	23001510	HANDLE, DOOR	10	1
8	23003634	LEVER, DOOR	14	1
8 N	23002181	LEVER, HANDLE	10	1
9	23001168	SHAFT, LEVER	10	1
10	23001169	SPRING, HANDLE LEVER	10	1
11	23001170	FASTENER, SPRING (DIA. 3.2)	10	1
11	23001057	SPEEDNUT (M3)	14	1
12	23001171	BASE, HINGE	10	1
13	23001172	SHAFT, DOOR HINGE	10	1
14	23001173	HANDLE, LEVER PLATE	10	1
15	23001175	SCREW (M6X20 STAINLESS STEEL) Note: SCREW (M6X26 STNLS STEEL)	10	1
15	23002937	SCREW (M6X26)	14	1
16	23001176	NUT (M6 STAINLESS STEEL) Note: NUT (M6 STNLS STEEL)	10	1
17	23001158	WASHER (M6) Note: SPRING, LOCKWASHER (M6)	10	1
18	23001159	WASHER (DIA. 14X8.6X1 STNLS)LU	10	1
19	23001177	SCREW (M4 X 10)	14	1
19	23001372	SCREW (M4 X 8 STNLS STEEL) Note: SCREW (M4X10 STNLS STEEL)	10	1
20	23001178	MICROSWITCH, ACTIVATING PLATE Note: MICROSWITCH, ACTIVATING PLATE	10	1
21	23001179	SCREW (M4X10 STAINLESS STEEL) Note: SCREW (M4X10 STNLS STEEL)	10	1
22	23001180	WASHER (DIA. 10X5.3X1)	10	1
23	23001181	RETAINING RING (DIA. 8) Note: RING, RETAINING (DIA. 8)	10	1
24	23001182	BOLT (M6X16 STAINLESS STEEL) Note: BOLT (M6X16 STNLS STEEL)	10	1
25	23001185	DOORSEAL, TENSION RING	10	1
26	23001186	DOORSRING, TENSION SPRING	10	1

\*Color Code (-)=Not Shown #=Series, Serial Prefix or Run No., N=Not Available

Section: BASKET & OUTER SHELL ASSEMBLY

Model: MFR50PCATS



CW21-15

**Section: BASKET & OUTER SHELL ASSEMBLY**

No.	Part No.	Description	Series	Qty
1	N 23001188	TUB (COMPLETE)	10	1
2	23001190	DRUM & SHAFT	10	1
3	23001192	OUTER SHELL Note: SHELL, OUTER	10	1
4	23001194	BACKPLATE (STNLS STEEL)	10	1
-	23003981	BEARING HOUSING STUD 14MM	10	6
5	23001196	BACKPLATE (IRON)	10	1
6	23001198	SHIELD	10	1
7	23001199	GASKET, REAR SHELL (24 HOLES)	10	1
8	23001200	HINGE, MIRCO SWITCH	10	1
9	23001203	WASHER (DIA. 16 X 8.4 X 1.6)	10	1
10	23001177	SCREW (M4 X 10) Note: SCREW (M4 X 8 STNLS STEEL)	10	1
11	23001204	WASHER, FINISHING (DIA. 5)	10	1
12	23001088	RUBBER TRIM Note: TRIM, RUBBER	10	1
13	23001205	BOLT (M8 X 45)	10	1
14	23001089	SCREW (M4 X 16 CK)	10	1
15	23001055	NUT (M4)	10	1
16	23001206	BRACKET, MOTOR HARNESS	10	1

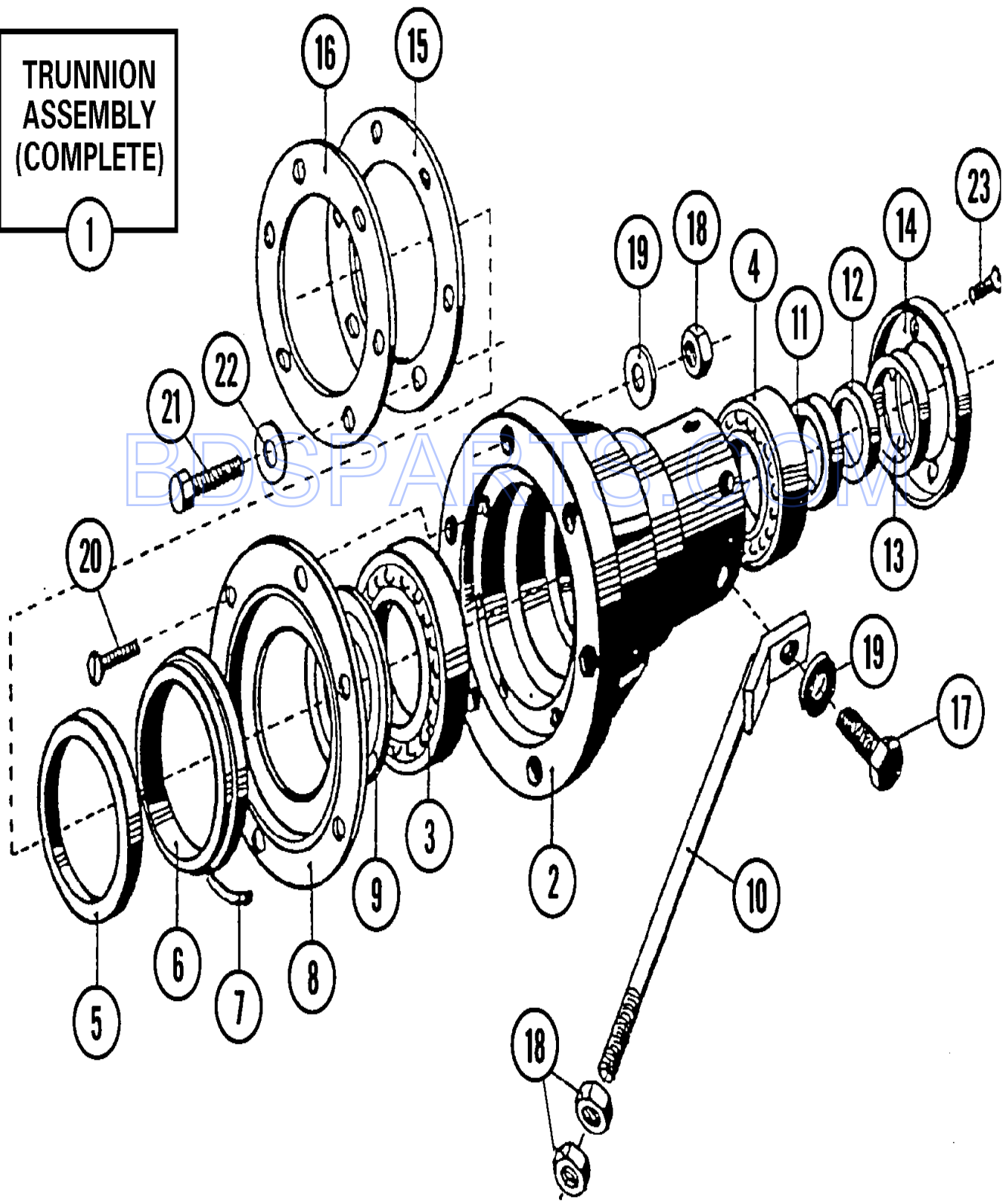
BDSPARTS.COM

\*Color Code (-)=Not Shown #=Series, Serial Prefix or Run No., N=Not Available

Section: BEARINGS & TRUNNION ASSEMBLY

Model: MFR50PCATS

TRUNNION  
ASSEMBLY  
(COMPLETE)



CW21-16



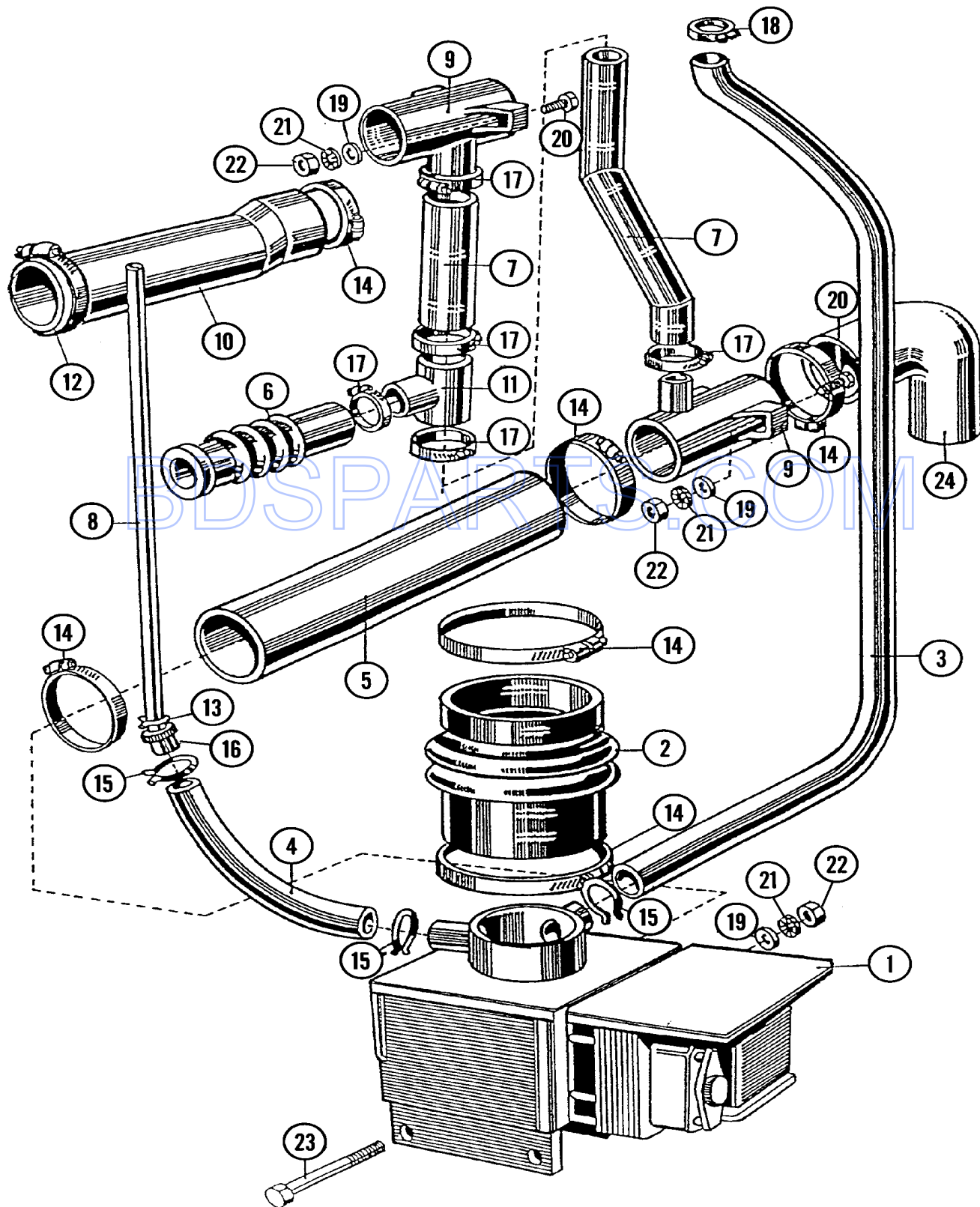
## Section: BEARINGS & TRUNNION ASSEMBLY

No.	Part No.	Description	Series	Qty
1	23002972	TRUNNION	10	1
2	23001209	TRUNNION CASTING ONLY Note: TRUNNION (CASTING ONLY)	10	1
-	23003981	BEARING HOUSING STUD 14MM	10	6
3	23001210	FRONT BEARING Note: BEARING, FRONT	10	1
4	23001211	REAR BEARING Note: BEARING, REAR	10	1
5	23001212	SEAL RING Note: RING, SEAL	10	1
6	23001213	WATER SEAL Note: SEAL, WATER	10	1
7	23001214	O-RING	10	1
8	23001215	HOLDER, WATER SEAL	10	1
9	23001216	SHEILD BEARING Note: BEARING, SHEILD	10	1
10	23001217	TENSION ROD Note: ROD, TENSION	10	1
11	23001218	RING, SPACER (STNLS STEEL)	10	1
12	23001219	BUSHING, BRASS	10	1
13	23001220	SEAL, AXIAL	10	1
14	23001221	SEAL, AXIAL HOLDER	10	1
15	23001222	GASKET, RUBBER	10	1
16	23001223	RING, CLAMP (STNLS STEEL)	10	1
17	23001224	BOLT (M14 X 25)	10	1
18	23001225	NUT (M14)	10	1
19	23001226	LOCK WASHER, SPRING (M14)	10	1
20	23001227	SCREW (M4 X 10 STNLS STEEL)	10	1
21	23001157	BOLT (M6 X 12 STAINLESS STEEL) Note: BOLT (M6 X 12 STNLS STEEL)	10	1
22	23001228	RING, SEAL (DIA. 14 X 6.5 X 1)	10	1
23	23001229	SCREW (M6 X 10 PK)	10	1

\*Color Code (-)=Not Shown #=Series, Serial Prefix or Run No., N=Not Available

Section: DRAIN & HOSE ASSEMBLY

Model: MFR50PCATS



CW21-11

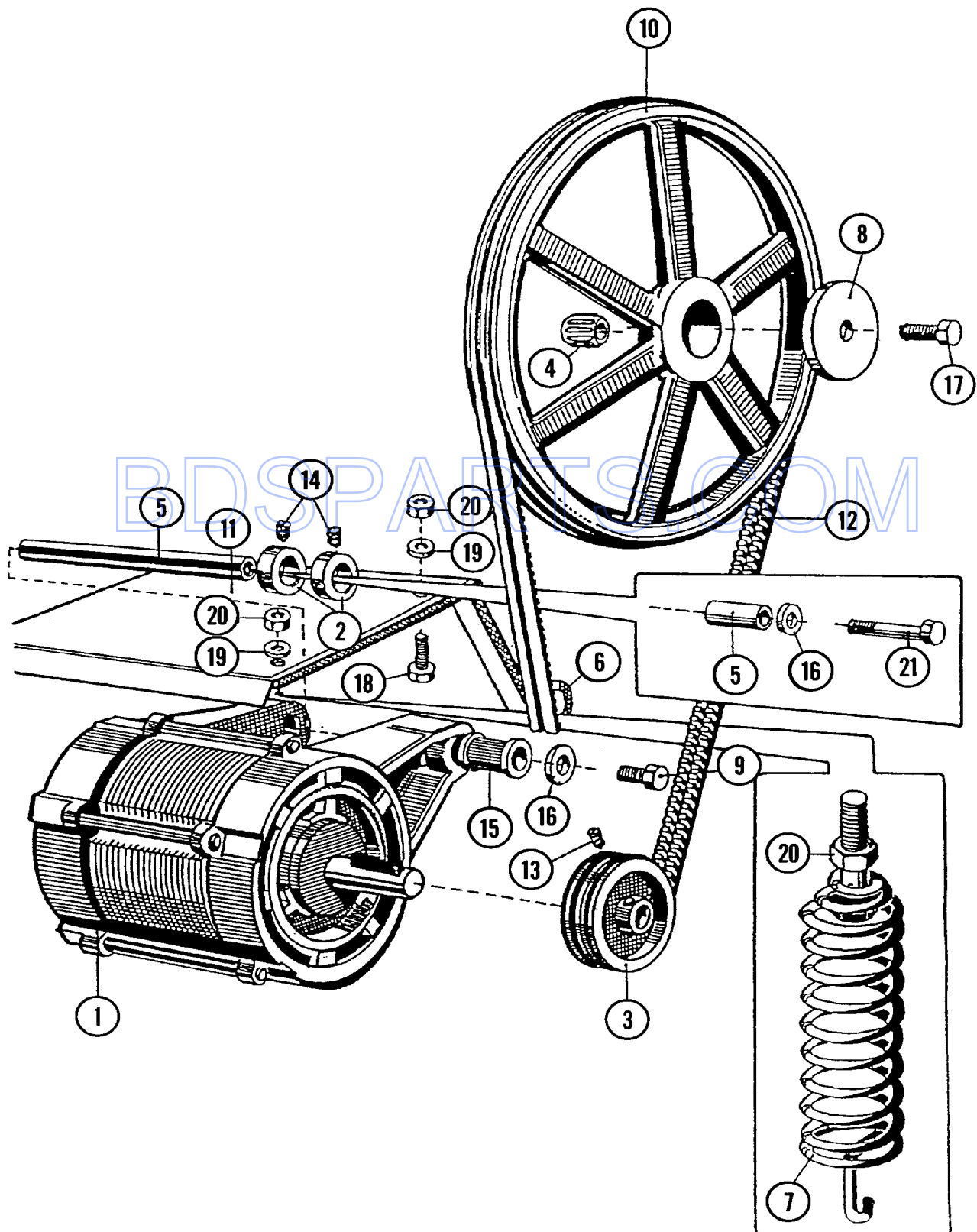
## Section: DRAIN & HOSE ASSEMBLY

No.	Part No.	Description	Series	Qty
-	23002321	MOTOR, DRAIN (240V)	10	1
1	23001244	VALVE, DRAIN (240V-50/60HZ)	10	1
2	23001245	HOSE, TUB	10	1
3	23001246	HOSE, BOTTOM FILL	10	1
4	23001247	HOSE, AIR DOME (30 CM)	10	1
5	23001248	HOSE, DRAIN	10	1
6	23001250	HOSE, AIR VENT	10	1
7	23001251	HOSE, OVERFLOW	10	1
8	23001252	HOSE, WATER LEVEL SWITCH	10	1
9	23001253	DRAIN TEE Note: TEE, DRAIN	10	1
10	23001254	AIR VENT HOSE, SOAP BOX	10	1
11	23001255	TEE, OVERFLOW HOSE	10	1
12	23001256	CLAMP, HOSE (60-80)	10	1
13	23001257	CLAMP, CORBIN (A5.5)	10	1
14	23001258	CLAMP, HOSE (70-90)	10	1
15	23001259	CLAMP, CORBIN (A17.5)	10	1
16	23001260	BUSHING, AIR DOME HOSE	10	1
17	23001261	CLAMP, HOSE (32-50)	10	1
18	23001262	CLAMP, HOSE (20-32)	10	1
19	23001263	WASHER (8.4)	10	1
20	23001264	BOLT (M8X20)	10	1
21	23001265	WASHER (8)	10	1
22	23001266	NUT (M8)	10	1
23	23001267	BOLT (M8 X 120)	10	1
24	23001268	HOSE, DRAIN (90 DIA.)	10	1

\*Color Code (-)=Not Shown #=Series, Serial Prefix or Run No., N=Not Available

Section: MOTOR & BASKET PULLEY

Model: MFR50PCATS



CW20-5

## Section: MOTOR & BASKET PULLEY

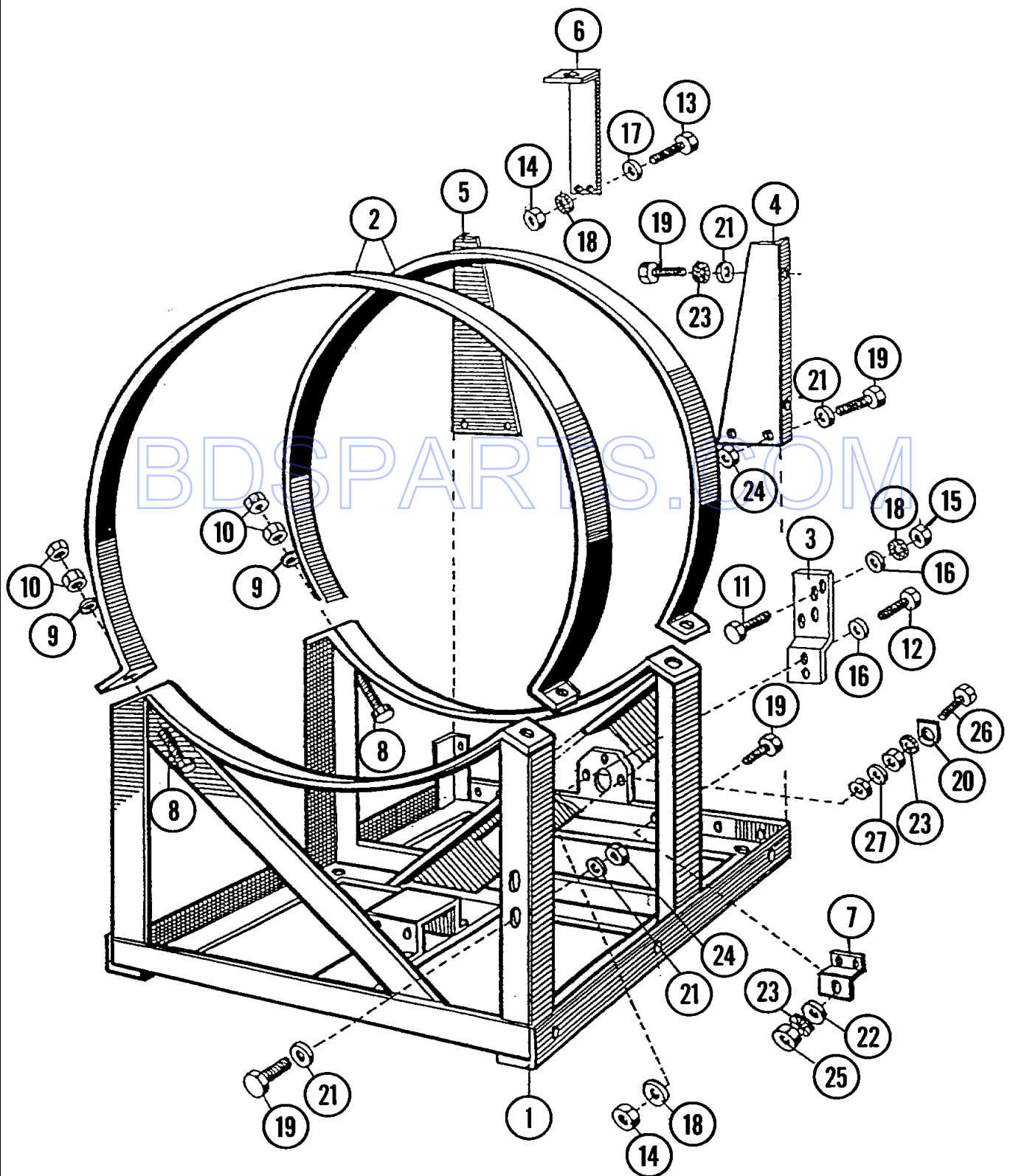
No.	Part No.	Description	Series	Qty
1	23001269	MOTOR (SINGLE PHASE-240/208V)	10	1
-	23002317	SWITCH, CENTRIFUGAL	10	1
2	23001272	COLLAR, RETAINER	10	1
3	23001273	V-PULLEY (DIA. 53 X PZ 60HZ)	10	1
4	23001274	RING, TOLERANCE	10	1
5	23001275	SUPPORT ROD, MOTOR Note: ROD, MOTOR SUPPORT	10	1
6	23001278	BELT TENSIONER (SINGLE PHASE) Note: TENSIONER, BELT	10	1
7	23001279	BELT, TENSION SPRING	10	1
8	23001281	WASHER (DIA. 90 X 10)	10	1
9	23001283	BOLT (M12 X 35)	10	1
10	23001285	BASKET PULLEY (DIA. 450) Note: PULLEY, BASKET (DIA. 450)	10	1
11	23001286	SHIELD, MOTOR	10	1
12	23001287	V-BELT (XPZ X 1950)	10	1
13	23001289	SCREW, ALLEN SET (M8 X 10)	10	1
14	23001290	SCREW, ALLEN SET (M6 X 6)	10	1
15	23001291	BUSHING, RUBBER MOTOR MOUNT	10	1
16	23001292	WASHER (13)	10	1
17	23001293	BOLT (M14 X 50)	10	1
18	23001264	BOLT (M8X20)	10	1
19	23001265	WASHER (8)	10	1
20	23001266	NUT (M8)	10	1
21	23001294	BOLT (M12 X 70)	10	1

BDS PARTS.COM

\*Color Code (-)=Not Shown #=Series, Serial Prefix or Run No., N=Not Available

Section: BASE FRAME

Model: MFR50PCATS



CW19-10

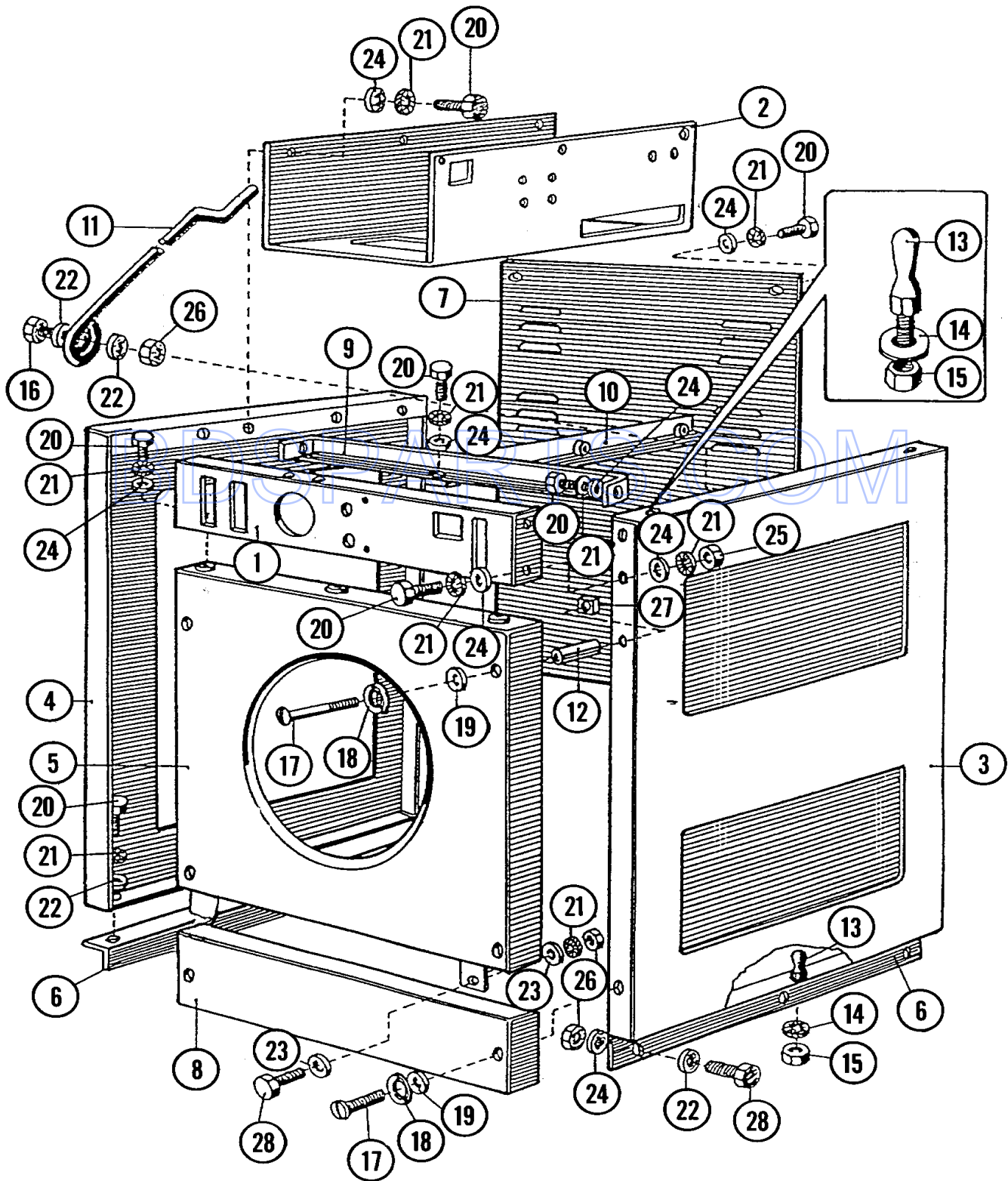
## Section: BASE FRAME

No.	Part No.	Description	Series	Qty
1	23001296	FRAME	10	1
2	23001297	CLAMP, TUB	10	1
3	23001298	BRACE, TUB SUPPORT	10	1
4	23001299	PANEL, SUPPORT BRACKET (RT)	10	1
5	23001300	PANEL, SUPPORT BRACKET (LT)	10	1
6	N 23001301	BRACKET	10	1
7	23001302	BRACKET	10	1
8	23001294	BOLT (M12 X 70)	10	1
9	23001292	WASHER (13)	10	1
10	23001303	NUT (M12)	10	1
11	23001205	BOLT (M8 X 45)	10	1
12	23001304	BOLT (M8 X 35)	10	1
13	23001305	BOLT (M8X25)	10	1
14	23001266	NUT (M8)	10	1
15	23001306	LOCKING NUT, SELF Note: NUT, SELF LOCKING	10	1
16	23001263	WASHER (8.4)	10	1
17	23001203	WASHER (DIA. 16 X 8.4 X 1.6)	10	1
18	23001265	WASHER (8)	10	1
19	23001307	BOLT (M6 X 20)	10	1
20	23001308	GROUNDING HARDWARE Note: HARDWARE, GROUNDING	10	1
21	23001309	WASHER (6.4) LU	10	1
22	23001159	WASHER (DIA. 14X8.6X1 STNLS)LU Note: WASHER (DIA. 12X6.4X1.6)	10	1
23	23001028	LOCK WASHER EXTERNAL TEETHM6LU Note: LOCKWASHER (EXTERNAL TEETH M6)	10	1
24	23001310	NUT, SELF LOCKING (M6)	10	1
25	23001034	NUT (M6)	10	1
26	23001157	BOLT (M6 X 12 STAINLESS STEEL) Note: BOLT (M6X12 STNLS STEEL)	10	1
27	23001159	WASHER (DIA. 14X8.6X1 STNLS)LU Note: WASHER	10	1

\*Color Code (-)=Not Shown #=Series, Serial Prefix or Run No., N=Not Available

Section: CABINET

Model: MFR50PCATS



CW12-4



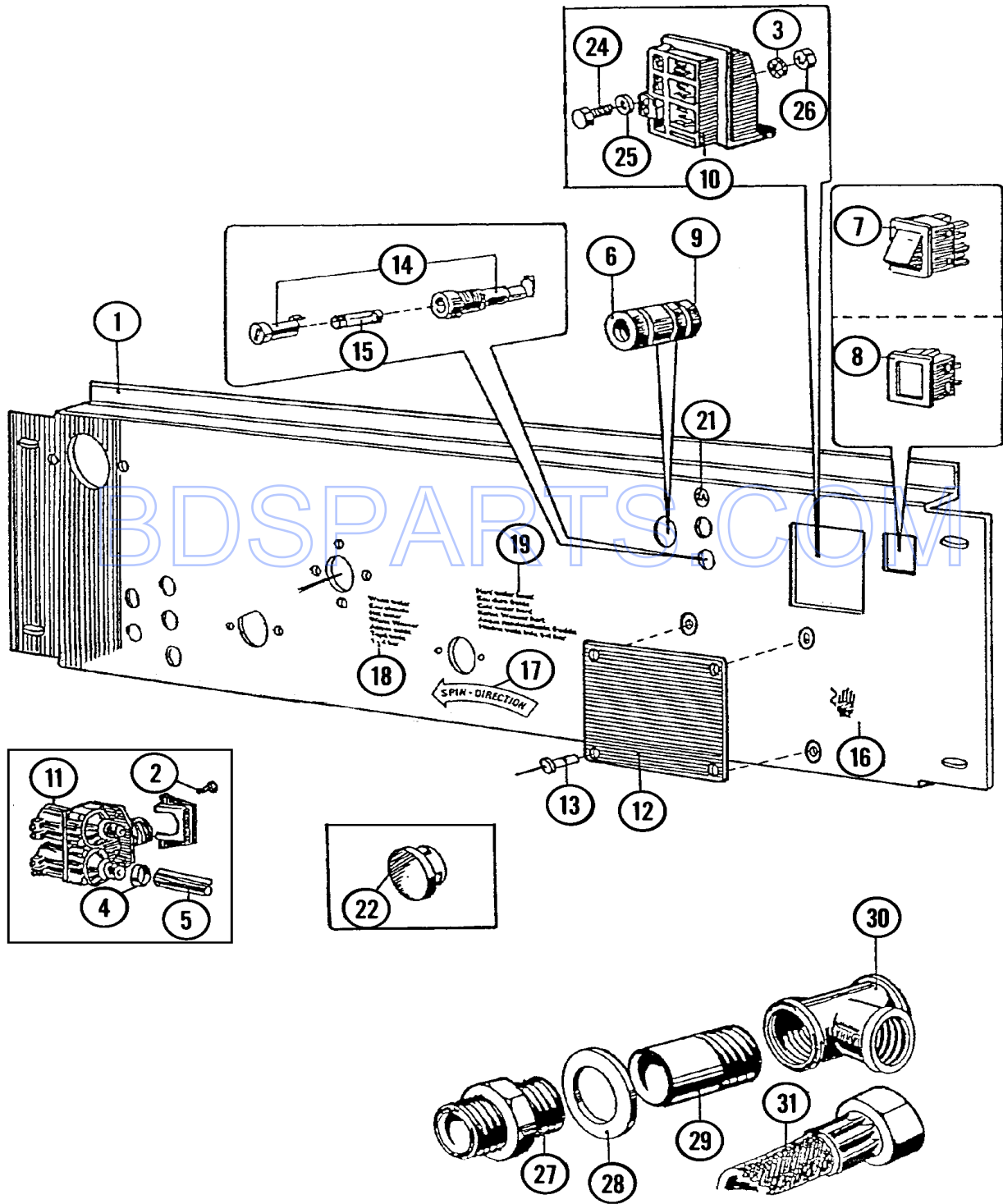
## Section: CABINET

No.	Part No.	Description	Series	Qty
1	N 23002173	PANEL, CONTROL Note: PLATE, BACK-UP (OPL)	10	1
2	23001314	TRAY, ELEC. COMPONENTS	10	1
3	23001317	PANEL, SIDE (RT) Note: PANEL, SIDE (RT)	10	1
4	23001319	PANEL, SIDE (LT) Note: PANEL, SIDE (LT)	10	1
5	23001320	PANEL, FRONT (SS)COIN	10	1
6	23001323	PANEL, SUPPORT (LT)	10	1
6	23001324	PANEL, SUPPORT (RT) Note: (RT)	10	1
7	23001325	PANEL (REAR)	10	1
8	23001326	ACCESS PANEL (LWR) Note: PANEL, ACCESS (LWR)	10	1
9	23001327	CROSS BEAM Note: BEAM, CROSS	10	1
10	23001329	BRACE	10	1
11	23001330	SUPPORT ROD, TOP PANEL	10	1
12	23001331	SPACER, PANEL	10	1
13	23001332	PIN, SRV	10	1
14	23001333	LOCK WASHER (M5) LU	10	1
15	23001334	NUT (M5) LU	10	1
16	23001335	BOLT (M6 X 25)	10	1
17	23001336	SCREW (M6 X 50)	10	1
18	23001337	WASHER, FINISHING	10	1
19	23001338	WASHER, FIBER (DIA. 15X7X3)	10	1
20	23001026	BOLT (M6 X 16)	10	1
21	23001028	LOCK WASHER EXTERNAL TEETHM6LU Note: LOCKWASHER (EXTERNAL TEETH M6)	10	1
22	23001309	WASHER (6.4) LU	10	1
23	23001309	WASHER (6.4) LU	10	1
24	23001027	WASHER (DIA. 12 X 6.5 X 1.6)	10	1
25	23001034	NUT (M6)	10	1
26	23001310	NUT, SELF LOCKING (M6)	10	1
27	23001339	NUT, CAGE	10	1
28	23001335	BOLT (M6 X 25)	10	1
-	23001548	BOX CONDENSATORS Note: HOLDER, CAPACITORS	10	1

\*Color Code (-)=Not Shown #=Series, Serial Prefix or Run No., N=Not Available

Section: WATER VALVE & REAR PANEL

Model: MFR50PCATS



CW21-80

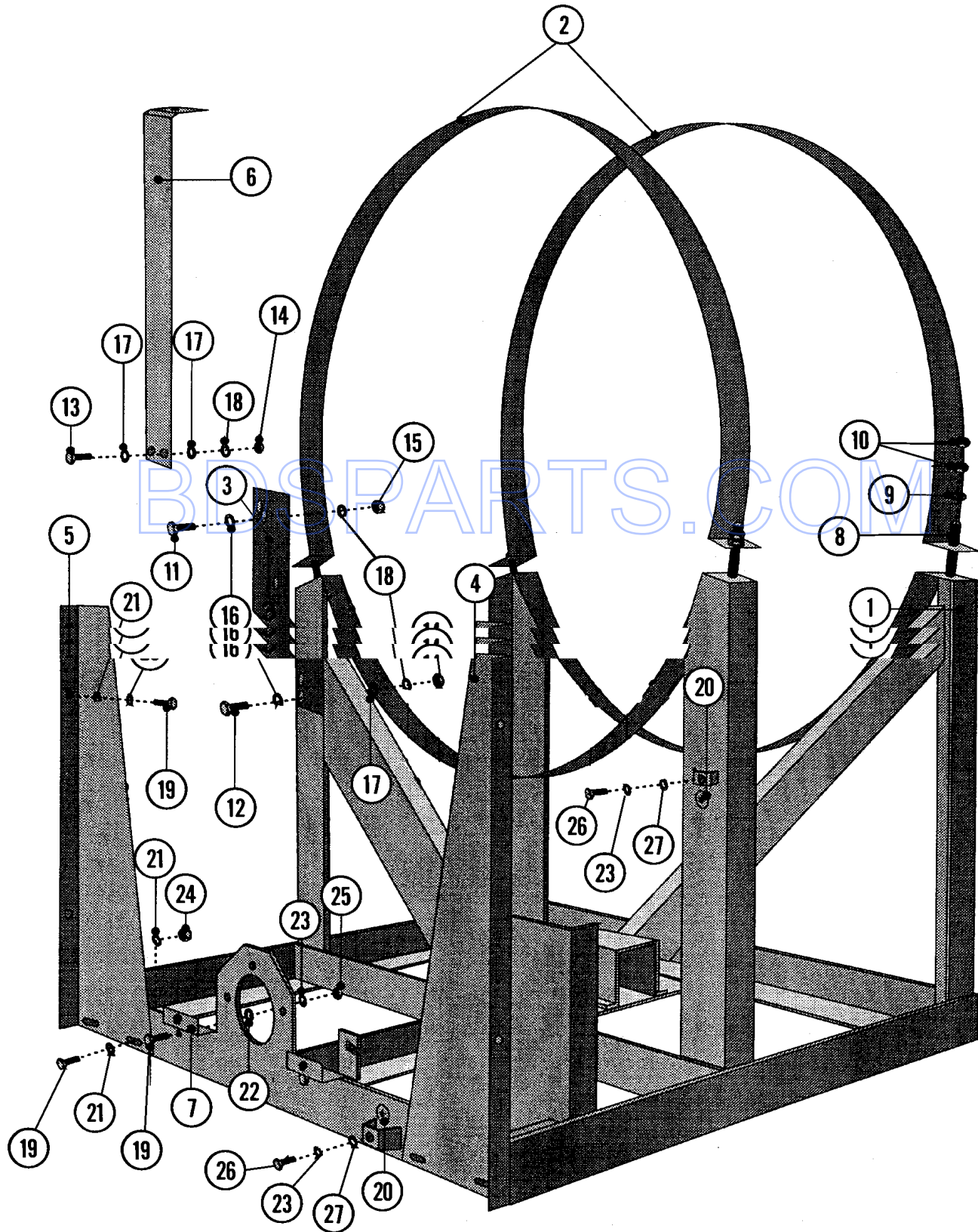
## Section: WATER VALVE & REAR PANEL

No.	Part No.	Description	Series	Qty
-	23001339	NUT, CAGE	10	1
1	23001503	PANEL, VALVE	10	1
2	23001361	BOLT (M4X10)	10	1
3	23001013	LOCK WASHER EXTERNAL TEETH M4 Note: LOCKWASHER (EXTERNAL TEETH M4)	10	1
4	23001506	CLAMP, HOSE	10	1
5	23001507	WATERHOSE (GREEN)	10	1
6	23001450	SWIVEL (PG9)	10	1
7	23001529	BUTTON (RAPID ADVANCE)	10	1
8	23001452	PLUG (WHT)	10	1
9	23001453	NUT, SWIVEL (PG9)	10	1
10	23001454	BLOCK, TERMINAL CONNECTION	10	1
11	23001455	VALVE, TWO WAY (220V 50/60HZ)	10	1
- N	23001521	PLATE VALVES Note: VALVES, PLATE	10	1
-	23001522	SCREW (M6 X 12) Note: SCREW, PLATE	10	1
12	23001460	PLATE, IDENTIFICATION	10	1
13	23001461	RIVETS, BLIND	10	1
14	23001462	HOLDER, FUSE	10	1
15	23001508	FUSE (1A)	10	1
16	23001465	STICKER, ELECTRICITY WARNING	10	1
17	23001468	STICKER, SPIN DIRECTION	10	1
18	23001469	STICKER, HOT WATER Note: STICKER, HOT WATER	10	1
19	23001471	STICKER, COLD SOFT WATER	10	1
20	23001509	STICKER, PIPE THREAD	10	1
21 N	23001473	STICKER (1A)	10	1
22 N	23001475	PLUG, LIQUID SOAP OPENING	10	1
23	23001477	ADAPTER (3/4" PIPE TO 3/4" HOS)	10	1
24 N	23001479	SCREW (M 4 X 16 BRASS)	10	1
25 N	23001480	WASHER (DIA. 9 X 4.3 X 0.8)	10	1
26	23001481	NUT (M4 BRASS)	10	1
27	23001482	NIPPLE (3/4" PIPE THREAD)	10	1
28	23001483	WASHER (DIA. 40 X 6.5 X 3)	10	1
29	23001484	EXTENSION, BRASS PIPE THREAD	10	1
30	23001485	TEE, 3/4" PIPE THREAD (BRASS)	10	1
31	23001523	HOSE, CONNECTION	10	1

\*Color Code (-)=Not Shown #=Series, Serial Prefix or Run No., N=Not Available

Section: BASE FRAME (SERIES 11)

Model: MFR50PCATS



CW19-15

## Section: BASE FRAME (SERIES 11)

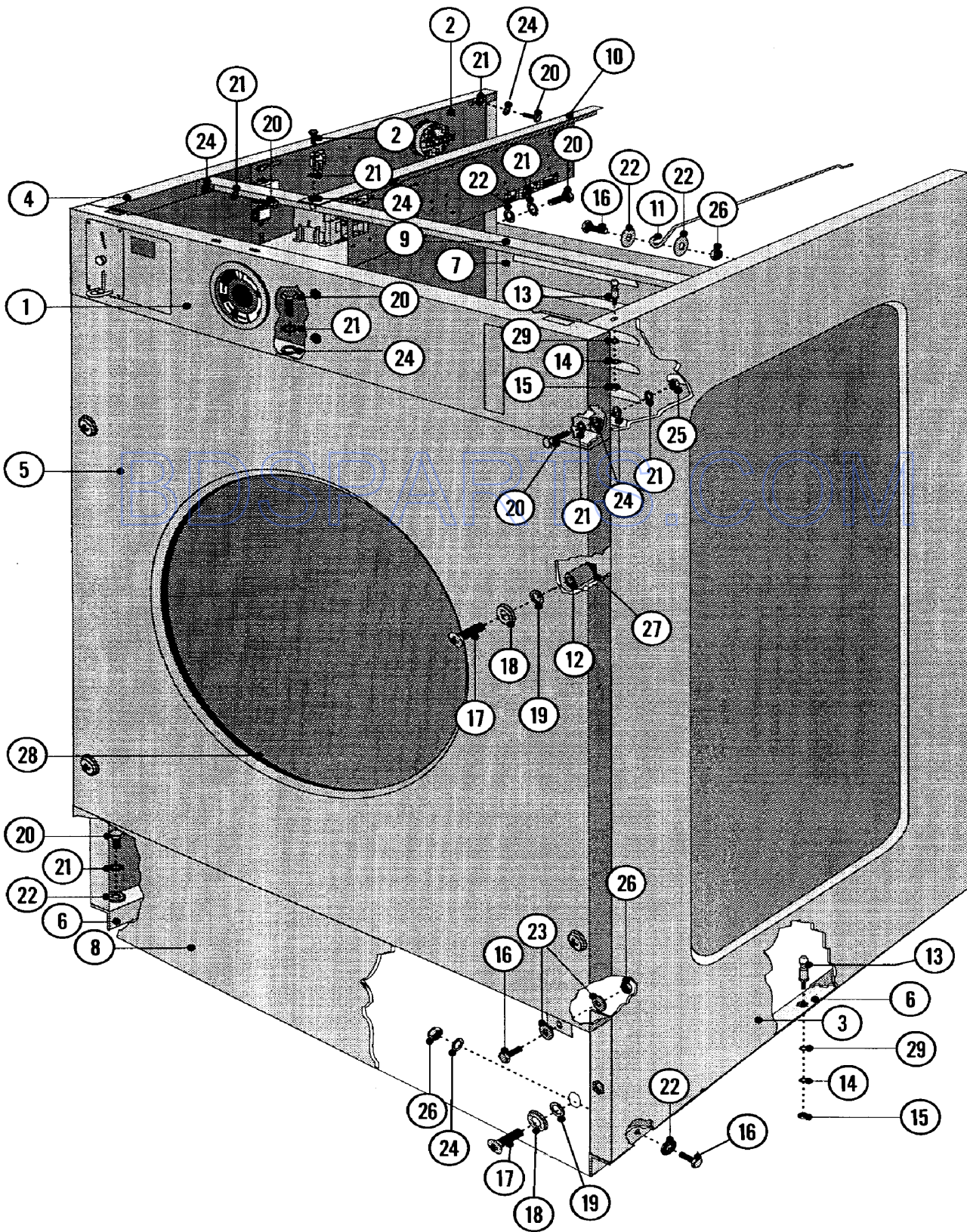
No.	Part No.	Description	Series	Qty
1	23002960	FRAME	11	1
2	23001297	CLAMP, TUB	11	2
3	23002841	BRACE, TUB SUPPORT	11	1
4	23002842	BRACKET, SUPPORT (RT-SIDE)	11	1
5	23002843	BRACKET, SUPPORT (LT-SIDE)	11	1
6	23002844	HOLDER, STEAM TUBE	11	1
7	23002845	CONNECTION, PART BACK PLATE	11	2
8	23002846	SCREW (M12X70)	11	4
-	23002931	SCREW (M14X50)	16	4
9	23002657	WASHER (13)	11	4
-	23002258	WASHER M14	16	4
-	23003746	NUT, M14	16	8
10	23001599	NUT (M12)	11	8
11	23002847	SCREW (M8X45)	11	2
12	23001304	BOLT (M8 X 35)	11	2
13	23002647	SCREW (M8 X 25)	11	2
14	23002435	NUT (M8)	11	4
15	23001607	NUT (M8)	11	2
16	23001263	WASHER (8.4)	11	4
17	23002653	WASHER (8/6)	11	6
18	23002358	WASHER (M8)	11	6
19	23002462	SCREW (M6 X 20)	LU	11 10
20 N	23002350	PLATE, INDEX		11 2
21	23001309	WASHER (6.4)	LU	11 12
22	23002282	WASHER (6)		11 2
23	23001734	WASHER (M6)		11 8
24	23002471	NUT		11 4
25	23002436	NUT (M6)		11 2
26	23002353	SCREW (M6X12)		11 2
27	23001643	WASHER (M6)		11 2

\*Color Code (-)=Not Shown #=Series, Serial Prefix or Run No., N=Not Available



Section: CABINET (SERIES 11)

Model: MFR50PCATS



CW12-30

## Section: CABINET (SERIES 11)

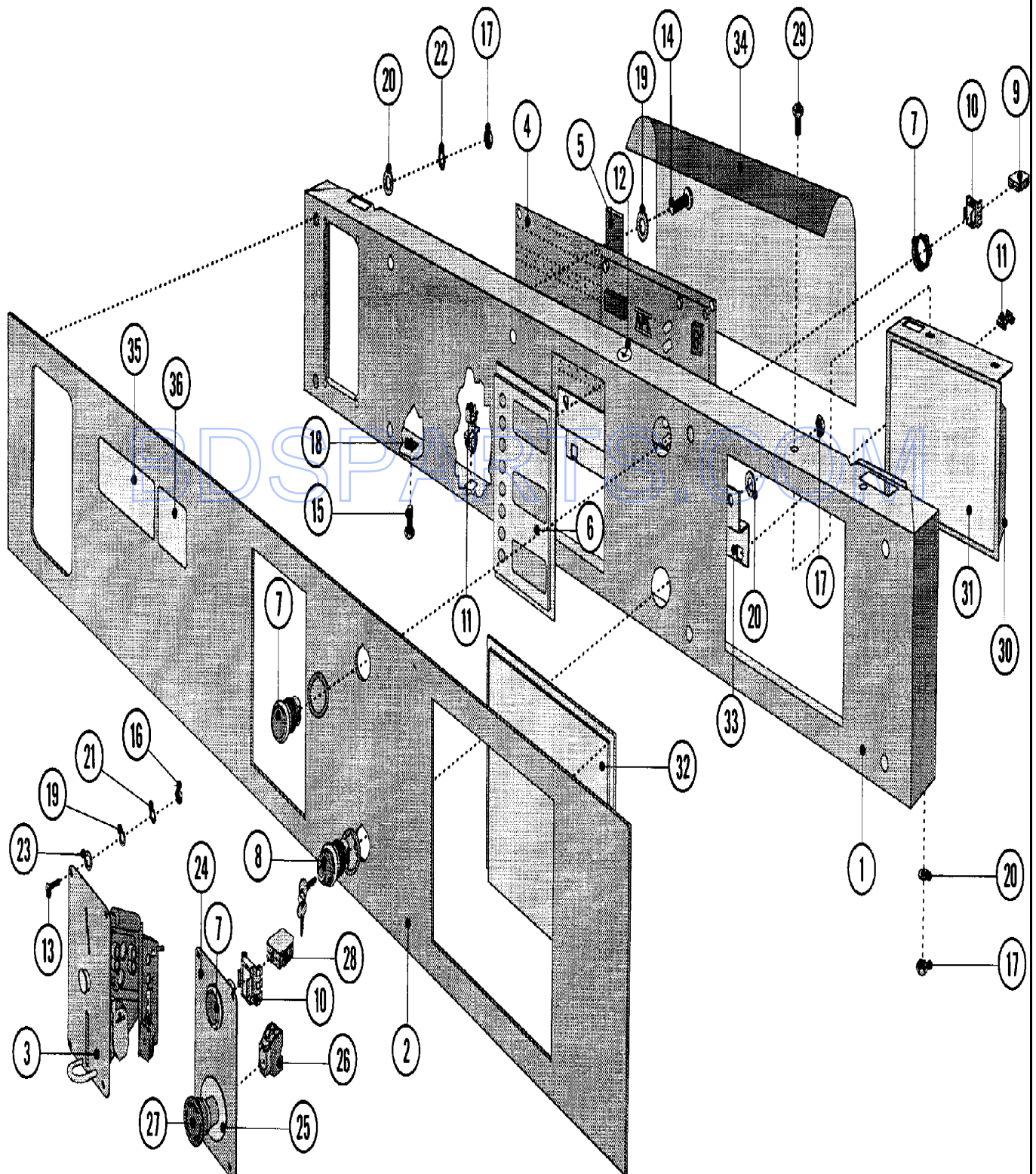
No.	Part No.	Description	Series	Qty
1	23002849	PANEL, CONTROL (COIN METER)	11	1
2	N 23002961	HOLDER, CONDENSER	11	1
2	23002850	COMPONENTS, BOX ELEC.	11	1
3	23002962	PANEL, SIDE (RT)	11	1
4	23002963	PANEL, SIDE (LT)	11	1
5	23002853	PANEL, FRONT (SS)OPL	11	1
5	23001320	PANEL, FRONT (SS)COIN	11	1
6	23002965	SUPPORT, PANEL (RT)	11	1
6	23002964	SUPPORT, PANEL (LT)	11	1
7	23002856	PLATE, BACK	11	1
8	23002857	PANEL, SERVICE (STAINLESS)	11	1
9	23002858	BEAM, CROSS	11	1
10	23001329	BRACE	11	1
11	23001330	SUPPORT ROD, TOP PANEL	11	1
12	23002860	TUBE, DISTANCE	11	4
13	23001332	PIN, SRV	11	4
14	23002465	WASHER, LOCK	11	4
15	23002466	NUT (M5)	11	4
16	23002861	SCREW (M6X25) LU	11	9
17	23002456	SCREW (M6 X 50)	11	6
18	23001337	WASHER, FINISHING	11	6
19	23001338	WASHER, FIBER (DIA. 15X7X3)	11	6
20	23002354	SCREW (M6X16)	11	34
21	23002756	WASHER	11	38
22	23001309	WASHER (6.4) LU	11	20
23	23001203	WASHER (DIA. 16 X 8.4 X 1.6)	11	8
24	23002282	WASHER (6)	11	22
25	23002436	NUT (M6)	11	4
26	23002471	NUT	11	8
27	23001339	NUT, CAGE	11	4
28	23001088	RUBBER TRIM	11	1
29	23002862	WASHER (5,3)	11	4

\*Color Code (-)=Not Shown #=Series, Serial Prefix or Run No., N=Not Available



Section: CONTROL PANEL (PC MODELS SERIES 11)

Model: MFR50PCATS



CW11-47



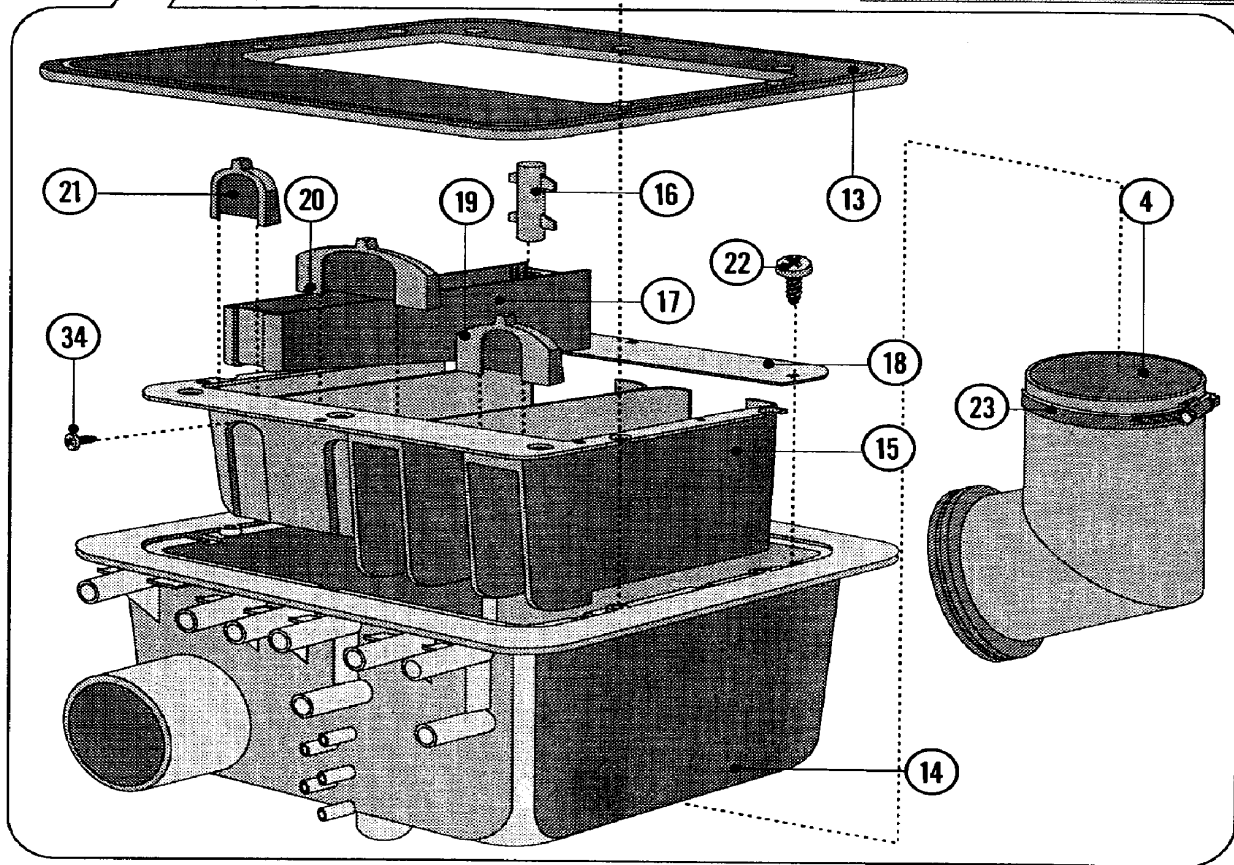
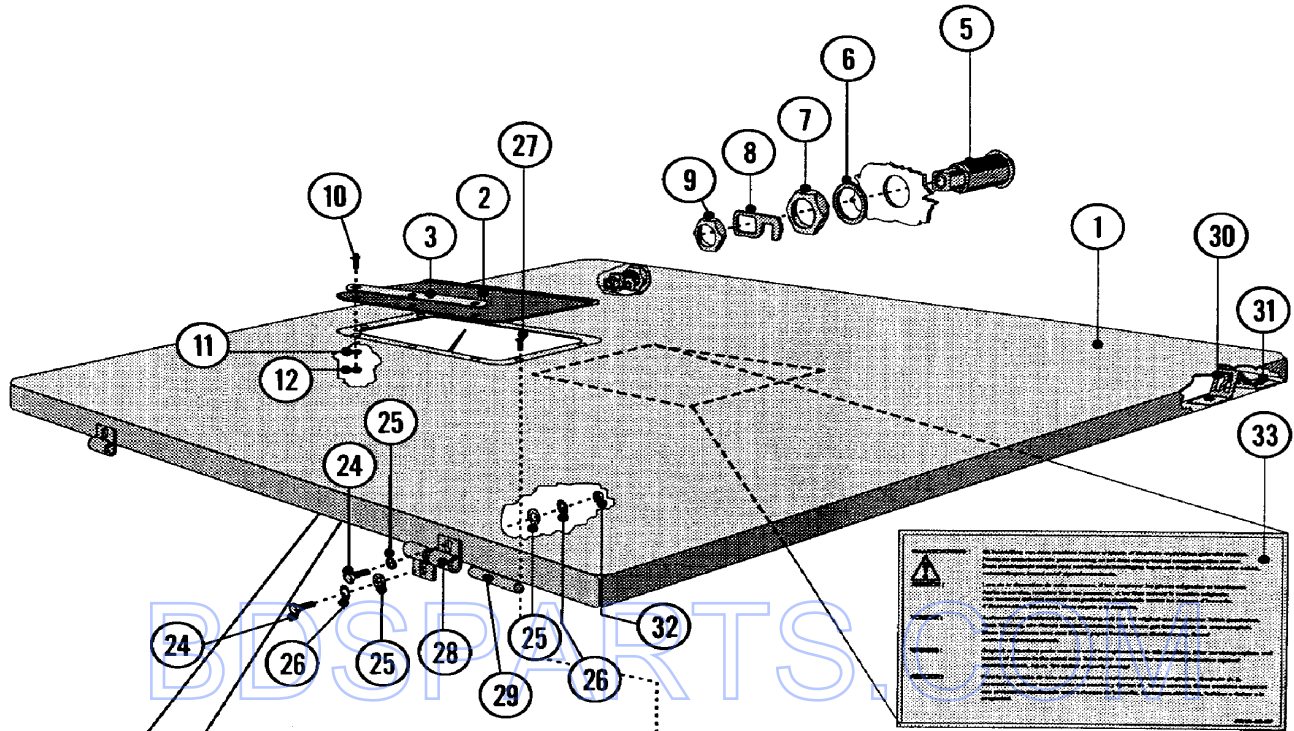
## Section: CONTROL PANEL (PC MODELS SERIES 11)

No.	Part No.	Description	Series	Qty
1	N 23002173	PANEL, CONTROL	11	1
2	N 23001497	FACIA, CONTROL PANEL (PC) Note: PANEL, CONTROL (W/COIN METER)	11	1
2	N 23001498	FACIA, CONTROL PANEL (PN)	11	1
3	23001063	COIN METER (25 CENTS-240V)	11	1
4	23001525	MICROPROCESSOR	11	1
5	23003741	CONTROLLER, APL283A V1.07 Note: (ENGLISH, SPANISH)	11	1
6	23001526	PLEXI, MICROPROCESSOR	11	1
7	23001537	PUSH BUTTON	11	1
8	23001538	KEY BLOCK	11	1
9	23001541	BLOCK, CONTACT (ON)	11	1
10	23001540	ADAPTER, CONTACT BLOCK	11	3
11	23001542	HOLDER	11	3
12	N 23001546	LABEL, EARTH	11	1
13	23001064	ORNAMENTAL SCREW (M3 X 10)	11	4
14	23002869	SCREW (M3X6)	11	3
15	N 23002182	BOLT (M6X16)	11	2
16	23002500	WASHER, LOCK	11	4
17	23002399	NUT(M4)	11	10
18	23001339	NUT, CAGE	11	2
19	23002174	WASHER (3.2)	11	4
20	23001545	WASHER	11	10
21	N 23002870	LOCKWASHER (M3)	11	4
22	23002111	WASHER (4)	11	10
23	23001610	WASHER (4.3)	11	4
24	23002871	LABEL	11	1
25	23002330	LABEL, CENTRAL STOP	11	1
26	23002331	CONTACTOR, CENTRAL STOP	11	1
27	23002332	KNOB, CENTRAL STOP	11	1
28	23002873	BLOCK, CONTACT (OFF)	11	1
29	23002423	SCREW (M4 X 10)	11	2
30	N 23002874	HOLDER, PLEXI	11	1
31	00000000	SEE NOTE Note: PLATE, INSERT	11	1
32	23002875	PLEXI	11	1
33	N 23002876	SUPPORT, SIDE PANELS	11	1
34	N 23002877	COVER, PLASTIC	11	1
35	N 23002866	PLATE, INDEX	11	1
36	N 23002967	PLATE, INSERT	11	1

\*Color Code (-)=Not Shown #=Series, Serial Prefix or Run No., N=Not Available

Section: SOAP BOX & TOP COVER ASSEMBLY(SERIES 11)

Model: MFR50PCATS



CW16-17

## Section: SOAP BOX & TOP COVER ASSEMBLY(SERIE

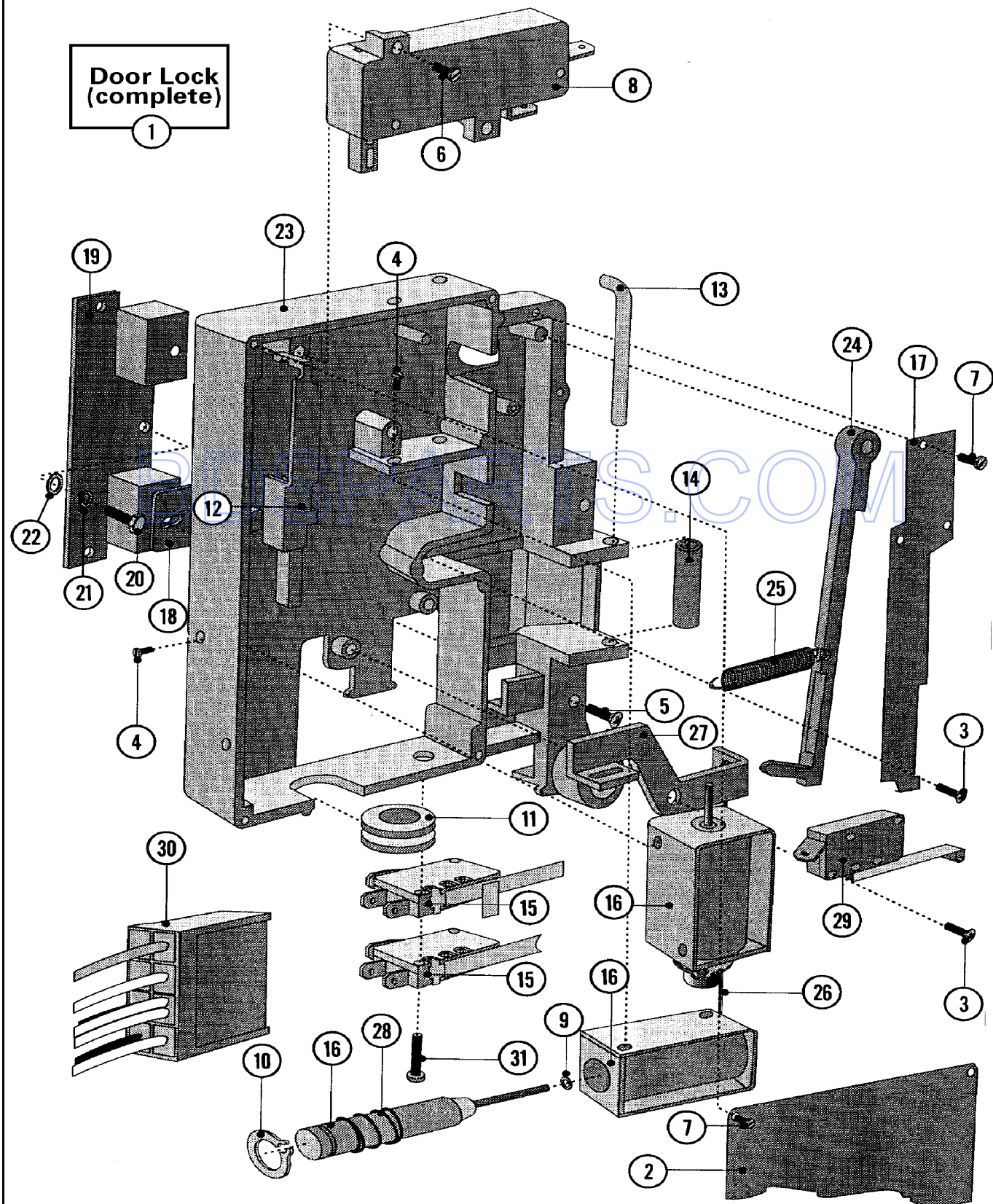
No.	Part No.	Description	Series	Qty
1	23002968	COVER, STAINLESS STEEL	11	1
2	23001003	RUBBER COVER, SOAP BOX	11	1
3	23002893	LATH, RUBBER COVER SOAP HOPPER	11	1
4	23001005	RUBBER HOSE, SOAP BOX	11	1
-	23002673	KEY-TOP PANEL (25001)		1
5	23001006	LOCK, TOP PANEL	11	2
6	23001007	WASHER, FIBER	11	2
7	23001008	LOCK NUT (LARGE)	11	2
8	23001010	LOCK HOOK (LONG)	11	2
8	23001009	LOCK HOOK (SHORT)	11	2
9	23001011	NUT	11	2
10	23001012	SCREW (M4 X 12 STNLS STEEL)	11	3
11	23001636	WASHER	11	3
12	23002652	NUT (QTY OF 4 = 1 PIECE)	11	3
13	23001015	RUBBER SEAL, SOAP BOX	11	1
14	23001016	SOAP BOX HOUSING	11	1
15	23001017	SOAP BOX INSERT	11	1
16	23001018	SIPHON	11	1
17	23001019	TRAY	11	1
18	23001020	COVER, PLATE	11	1
19	23001021	DRAWER, PREWASH	11	1
20	23001022	DRAWER, MAIN WASH	11	1
21	23001023	DRAWER, LAST RINSE	11	1
22	23001024	SCREW	11	8
23	23001025	CLAMP, HOSE (DIA 90/110)	11	1
24	23002462	SCREW (M6 X 20) LU	11	4
25	23001027	WASHER (DIA. 12 X 6.5 X 1.6)	11	6
26	23002756	WASHER	11	4
27	23002894	SCREW (M5X15)	11	4
28	23001030	HINGE, TOP COVER	11	4
29	23001031	HINGE SHAFT (10 X 56 BRASS)	11	2
30	23001032	CLAMP, SRV	11	2
31	23001033	RIVETS, BLIND (DIA. 3.2 X 8)LU	11	4
32	23002436	NUT (M6)	11	2
33	23001550	LABEL, EARTH	11	1
34 N	23002895	SCREW, SLOTTED (PAN HEAD)	11	1

\*Color Code (-)=Not Shown #=Series, Serial Prefix or Run No., N=Not Available



Section: DOOR LOCK ASSEMBLY (SERIES 11)

Model: MFR50PCATS



CW10-46

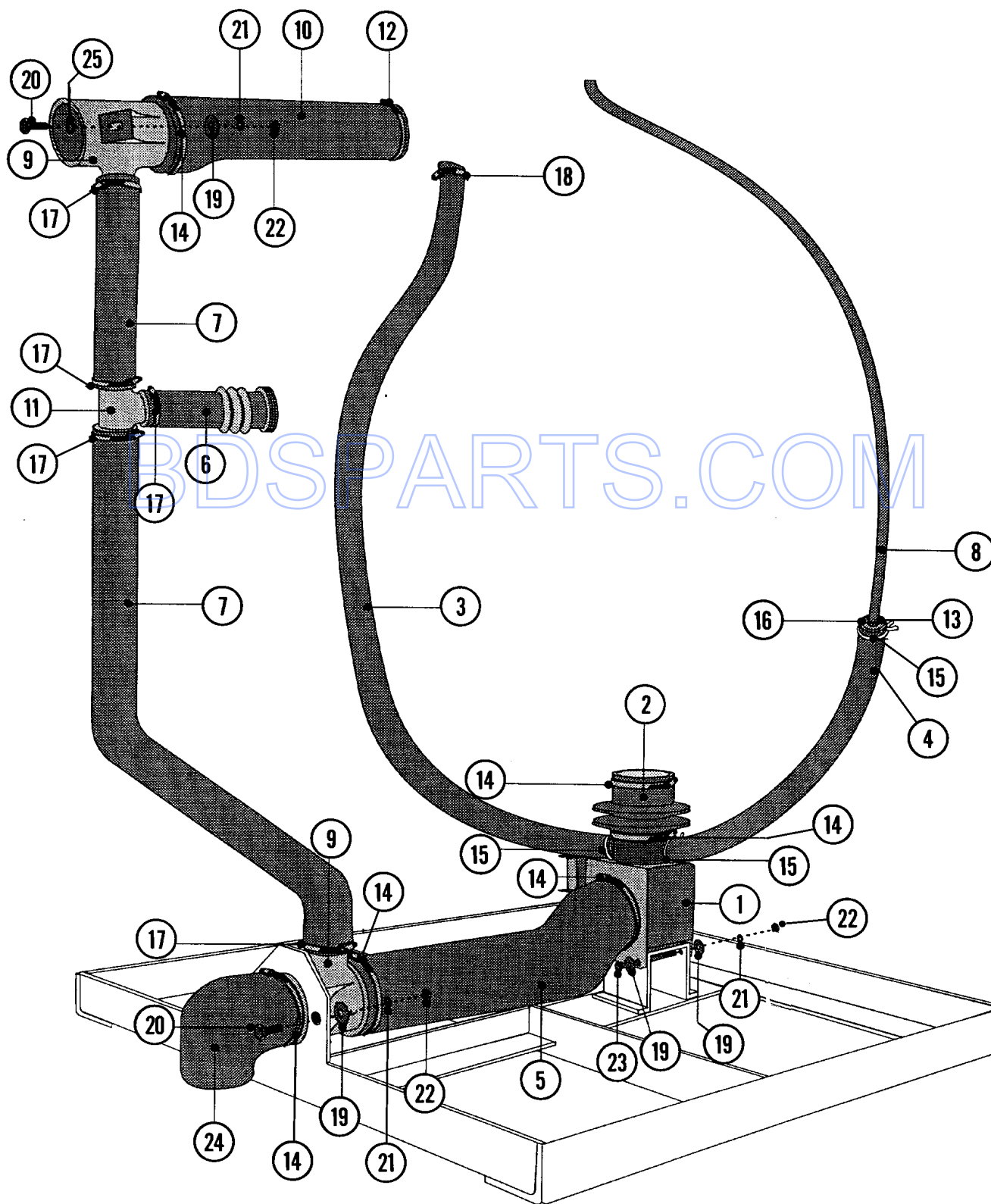
## Section: DOOR LOCK ASSEMBLY (SERIES 11)

No.	Part No.	Description	Series	Qty
1	23002897	LOCK, DOOR (COMPLETE)	11	1
2	23001130	PLATE, COVER (STNLS STEEL)	11	1
3	23001131	SCREW (M3 X 14 CROSS RECESSED)	11	3
4	23001132	SCREW (M3 X 4 CROSS RECESSED)	11	4
5	23001133	SCREW (M5 X 25 STAINLESS STEEL)	11	2
6	23001070	SCREW (M4X10)	11	2
7	23001134	BOLT (M3 X 6)	11	7
8	23001135	BIMETAL, ACTUATOR (230V)	11	1
9	23001136	WASHER (DIA. 5.1 X 3.3 X 0.1)	11	2
10	23001137	RING, RETAINING (G10)	11	1
11	23001138	BUSHING, CABLE PASSAGE	11	1
12	23001140	BAR, LOCKING	11	1
13	23001142	RETAINER, LOCK TUBE (DIA.4X45)	11	1
14	23001143	LOCK TUBE (DIA. 4X23.5 STNLS)	11	1
15	23001144	MICROSWITCH, SHORT LEVER	11	1
16	23001146	COIL (240V)	11	1
16	23001147	COIL (120V)	11	1
17	23001149	LEAF SPRING, LATCH BAR	11	1
18	23001155	SHIM	11	1
19	23001156	SPACER, LOCK	11	1
20	23002353	SCREW (M6X12)	11	3
21	23002130	WASHER (6)	11	3
22	23001159	WASHER (DIA. 14X8.6X1 STNLS)LU	11	3
23	23002898	GROUND, PLATE LOCK	11	1
24	23002899	HANDLE, LOCKING PART	11	1
25	23002900	SPRING, LOCKING PART	11	1
26	23002901	CORD, OPENING	11	1
27 N	23002902	LEVEL, OPENING	11	1
28	23002903	SPRING, LOCKING PART	11	1
29	23002337	MICROSWITCH W/ ROLLER ARM	11	1
30	23002905	WIRING, DOOR LOCK	11	1
31	23002906	SCREW (M3X25)	11	2

\*Color Code (-)=Not Shown #=Series, Serial Prefix or Run No., N=Not Available

Section: DRAIN & HOSE ASSEMBLY (SERIES 11)

Model: MFR50PCATS



CW21-135

**Section: DRAIN & HOSE ASSEMBLY (SERIES 11)**

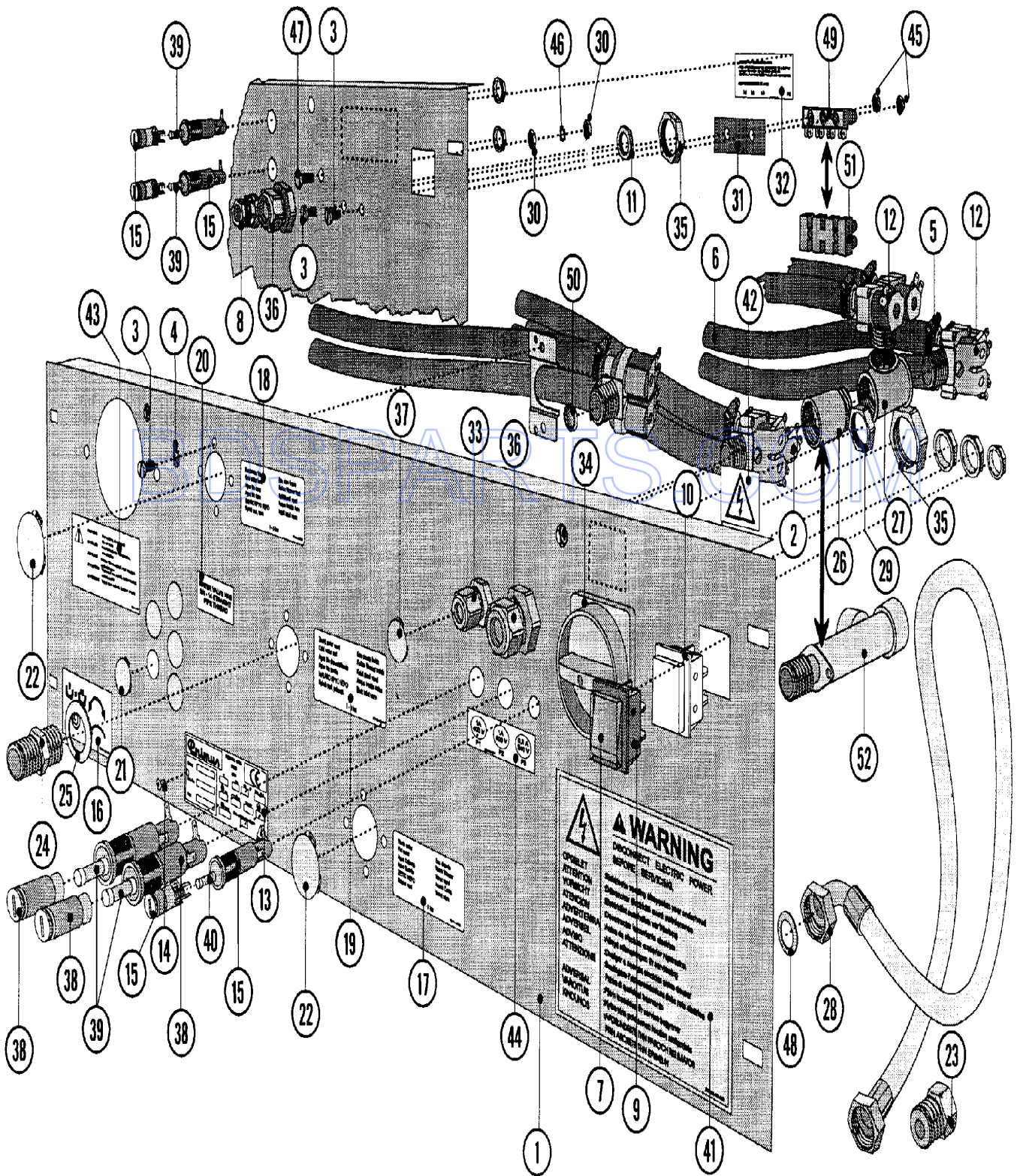
No.	Part No.	Description	Series	Qty
1	23001244	VALVE, DRAIN (240V-50/60HZ)	11	1
2	23002907	TUB, OUTLET VALVE HOSE	11	1
3	23001246	HOSE, BOTTOM FILL	11	1
4	23001247	HOSE, AIR DOME (30 CM)	11	1
5	23001248	HOSE, DRAIN	11	1
6	23001250	HOSE, AIR VENT	11	1
7	23001251	HOSE, OVERFLOW	11	1
8	23001252	HOSE, WATER LEVEL SWITCH	11	1
9	23001253	DRAIN TEE	11	2
10	23001254	AIR VENT HOSE, SOAP BOX	11	1
11	23001255	TEE, OVERFLOW HOSE	11	1
12	23001256	CLAMP, HOSE (60-80)	11	1
13	23001257	CLAMP, CORBIN (A5.5)	11	1
14	23001258	CLAMP, HOSE (70-90)	11	6
15	23001259	CLAMP, CORBIN (A17.5)	11	3
16	23001260	BUSHING, AIR DOME HOSE	11	1
17	23001261	CLAMP, HOSE (32-50)	11	5
18	23001262	CLAMP, HOSE (20-32)	11	1
19	23002437	WASHER (M8)	11	8
20	23002475	BOLT (M8X20)	11	4
21	23002358	WASHER (M8)	11	6
22	23002435	NUT (M8)	11	6
23	23002908	SCREW (M8X120)	11	2
24	23002822	ELBOW, 90 DEGREE	11	1
25	23002653	WASHER (8/6)	11	2

\*Color Code (-)=Not Shown #=Series, Serial Prefix or Run No., N=Not Available



Section: WATER VALVE & REAR PANEL (SERIES 11)

Model: MFR50PCATS



CW21-136



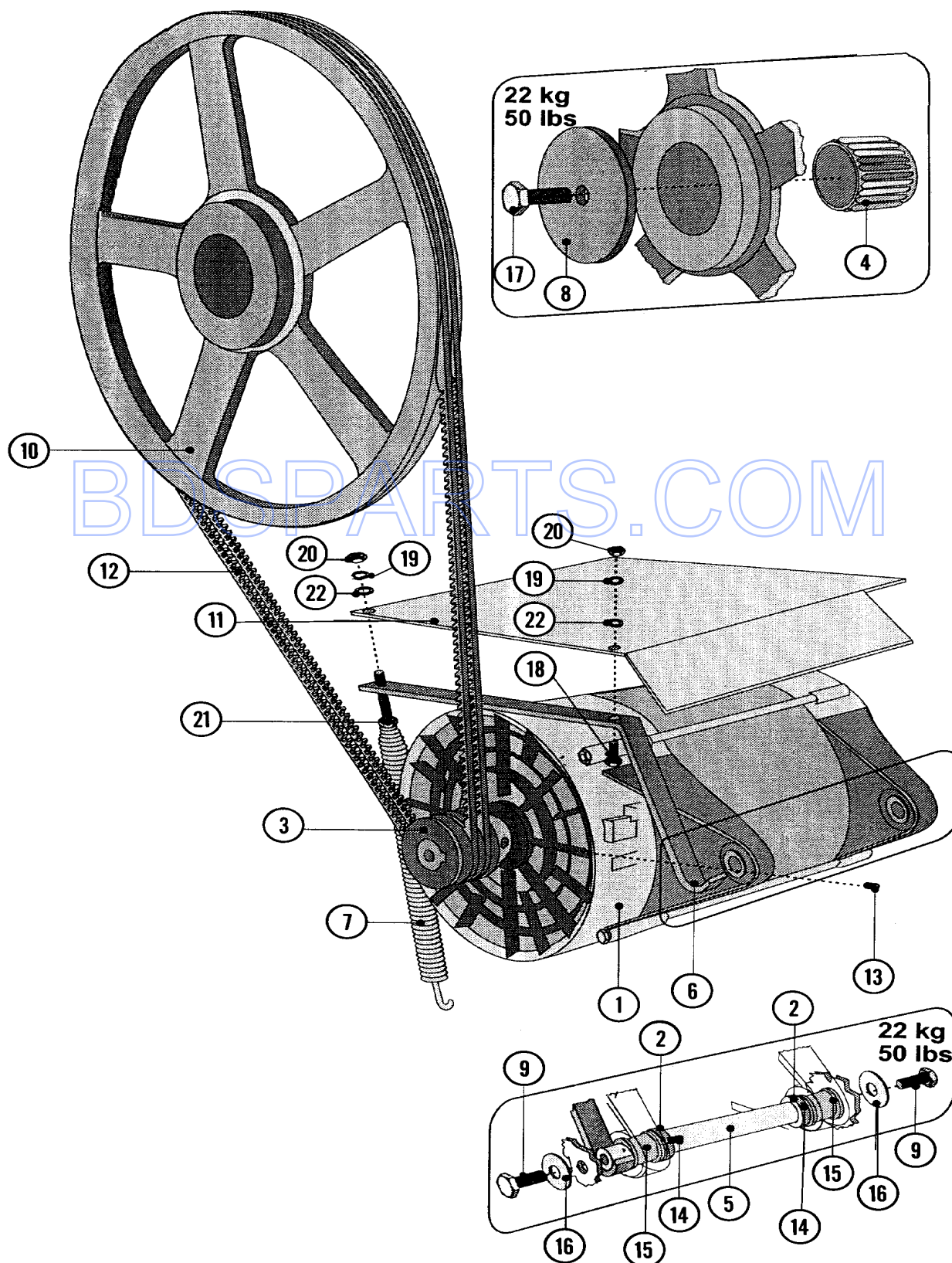
## Section: WATER VALVE & REAR PANEL (SERIES 11)

No.	Part No.	Description	Series	Qty
1	23002909	BRIDGE, REAR	11	1
2	23001533	VALVE, THREE-WAY	11	1
3	23002423	SCREW (M4 X 10)	11	4
4	23002111	WASHER (4)	11	4
5	23001506	CLAMP, HOSE	11	14
6	23001507	WATERHOSE (GREEN)	11	1
7	23001532	COVER, BUTTON (PLASTIC)	11	1
8	23001453	NUT, SWIVEL (PG9)	11	1
9	23001529	BUTTON (RAPID ADVANCE)	11	1
10	23001452	PLUG (WHT)	11	1
11	23001450	SWIVEL (PG9)	11	1
12	23001455	VALVE, TWO WAY (220V 50/60HZ)	11	2
13	00000000	SEE NOTE Note: PLATE, IDENTIFICATION	11	1
14	23001461	RIVETS, BLIND	11	2
15	23001462	HOLDER, FUSE	11	1
16	23001468	STICKER, SPIN DIRECTION	11	1
17	N 23002910	PLATE, INDEX "HOT WATER"	11	1
18	N 23002911	PLATE, INDEX (COLD HARD WATER)	11	1
19	N 23002912	PLATE, INDEX (COLD SOFT WATER)	11	1
20	23001509	STICKER, PIPE THREAD	11	1
21	N 23002794	PLUG (13)	11	5
22	23001476	PLUG, WATER INLET	11	1
23	23001477	ADAPTER (3/4" PIPE TO 3/4" HOS	11	3
24	23001482	NIPPLE (3/4" PIPE THREAD)	11	1
25	23001483	WASHER (DIA. 40 X 6.5 X 3)	11	1
26	23001484	EXTENSION, BRASS PIPE THREAD	11	1
27	23001485	TEE, 3/4" PIPE THREAD (BRASS)	11	1
28	23001523	HOSE, CONNECTION	11	2
29	23002197	NUT	11	1
30	23001312	NUT (M6)	11	2
31	23001115	INSULATION PAPER	11	1
32	N 23002913	LABEL, TERMINAL	11	1
33	23002196	SWIVEL, CABLE	11	1
34	23002915	SWITCH, MAIN (32A)	11	1
34	23001731	SWITCH, MAIN (63A)	11	1
34	23002914	SWITCH, MAIN (20A)	11	1
34	23002916	SWITCH, MAIN (80A)	11	1
35	23002212	NUT	11	1
36	N 23002917	SWIVEL	11	1
37	23002243	PLUG, UNIVERSAL	11	1
38	23002210	HOLDER, FUSE	11	2
39	23001508	FUSE (1A)	11	1
39	23002918	FUSE (1A)	11	1
40	23002919	FUSE (5A)	11	1
41	23001465	STICKER, ELECTRICITY WARNING	11	1
42	23002920	PLATE, INDEX (FLASH)	11	1
43	23002053	LABEL, WARNING VENT OUT	11	1
44	N 23001473	STICKER (1A)	11	1
45	23001055	NUT (M4)	11	2
46	23001158	WASHER (M6)	11	1
47	23002778	SCREW (M4 X 12)	11	1
48	23002921	WASHER, FILL HOSE	11	6
49	23001113	CONNECTOR HOUSING (4 POLE)	11	1
50	23002922	FILTER	11	3
51	23002923	BOARD, TERMINAL	11	1
52	23002924	T-PART (3/4)	11	1

\*Color Code (-)=Not Shown #=Series, Serial Prefix or Run No., N=Not Available

Section: MOTOR & BASKET PULLEY (SERIES 11)

Model: MFR50PCATS



CW21-137

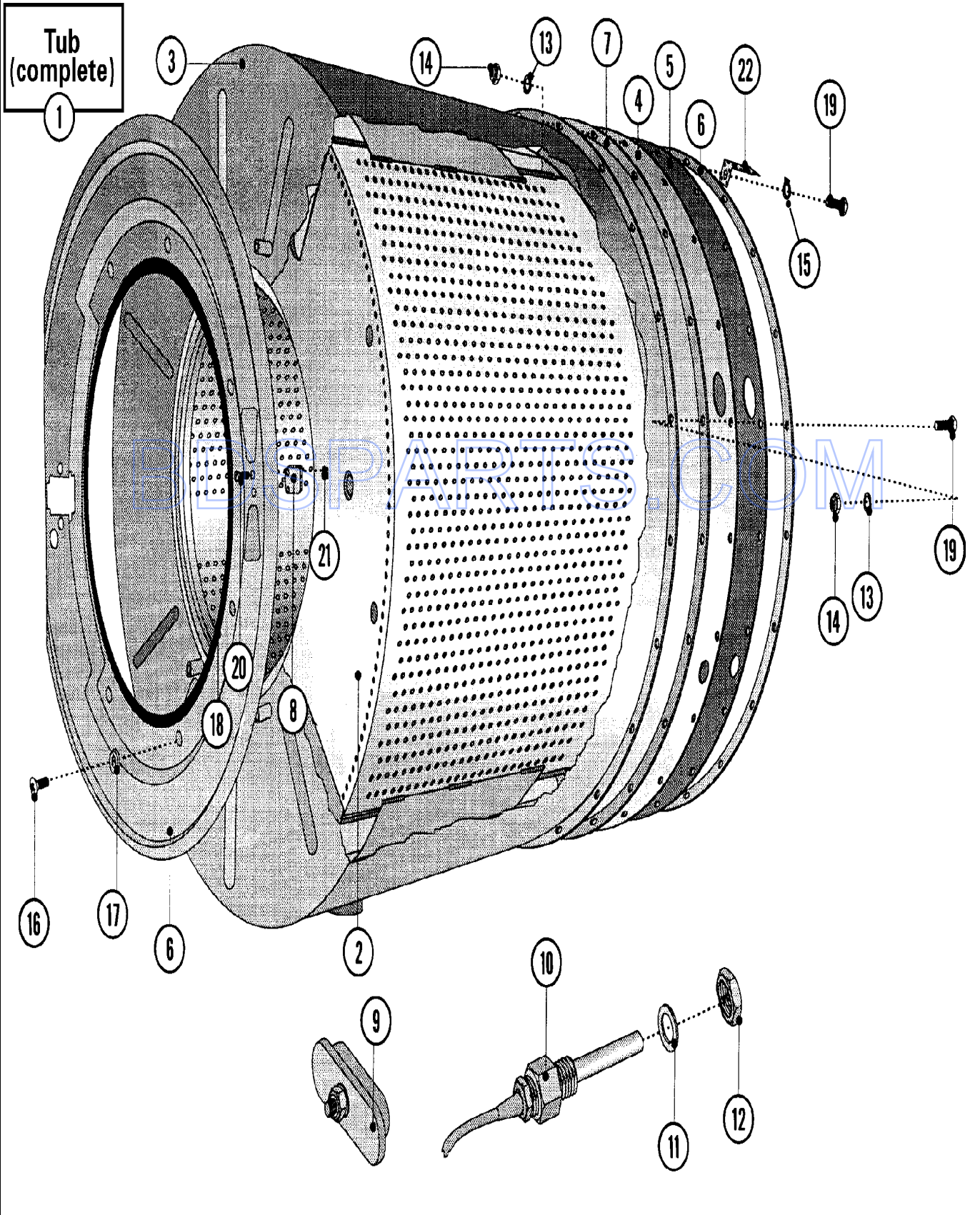
## Section: MOTOR & BASKET PULLEY (SERIES 11)

No.	Part No.	Description	Series	Qty
1	23001271	MOTOR (THREE PHASE 240/208V)	11	1
-	23002317	SWITCH, CENTRIFUGAL	11	1
1	23001269	MOTOR (SINGLE PHASE-240/208V)	11	1
2	23002925	SHAFT, SLIDING RING MOTOR	11	2
3	23001273	V-PULLEY (DIA. 53 X PZ 60HZ)	11	1
4	23001274	RING, TOLERANCE	11	1
5	23002969	SHAFT, MOTOR	11	1
6	23001278	BELT TENSIONER (SINGLE PHASE)	11	1
7	23001279	BELT, TENSION SPRING	11	1
8	23001281	WASHER (DIA. 90 X 10)	11	1
9	23002661	SCREW (M12 X 35)	11	3
10	23001285	BASKET PULLEY (DIA. 450)	11	1
11	23002928	MOTOR, PROTECTION SHIELD	11	1
12	23001287	V-BELT (XPZ X 1950)	11	3
13	23002929	SCREW, SOCKET SET (M8X10)	11	2
14	23002930	SCREW, SOCKET SET (M6X6)	11	2
15	23001291	BUSHING, RUBBER MOTOR MOUNT	11	2
16	23002657	WASHER (13)	11	2
17	23002931	SCREW (M14X50)	11	1
18	23002475	BOLT (M8X20)	11	1
19	23002932	WASHER, SPRING	11	2
20	23002399	NUT(M4)	11	3
21	23002846	SCREW (M12X70)	11	1
22	23002653	WASHER (8/6)	11	2

\*Color Code (-)=Not Shown #=Series, Serial Prefix or Run No., N=Not Available

Section: BASKET & OUTER SHELL ASSEMBLY(SERIES 11)

Model: MFR50PCATS



CW21-139



## Section: BASKET & OUTER SHELL ASSEMBLY(SERIE

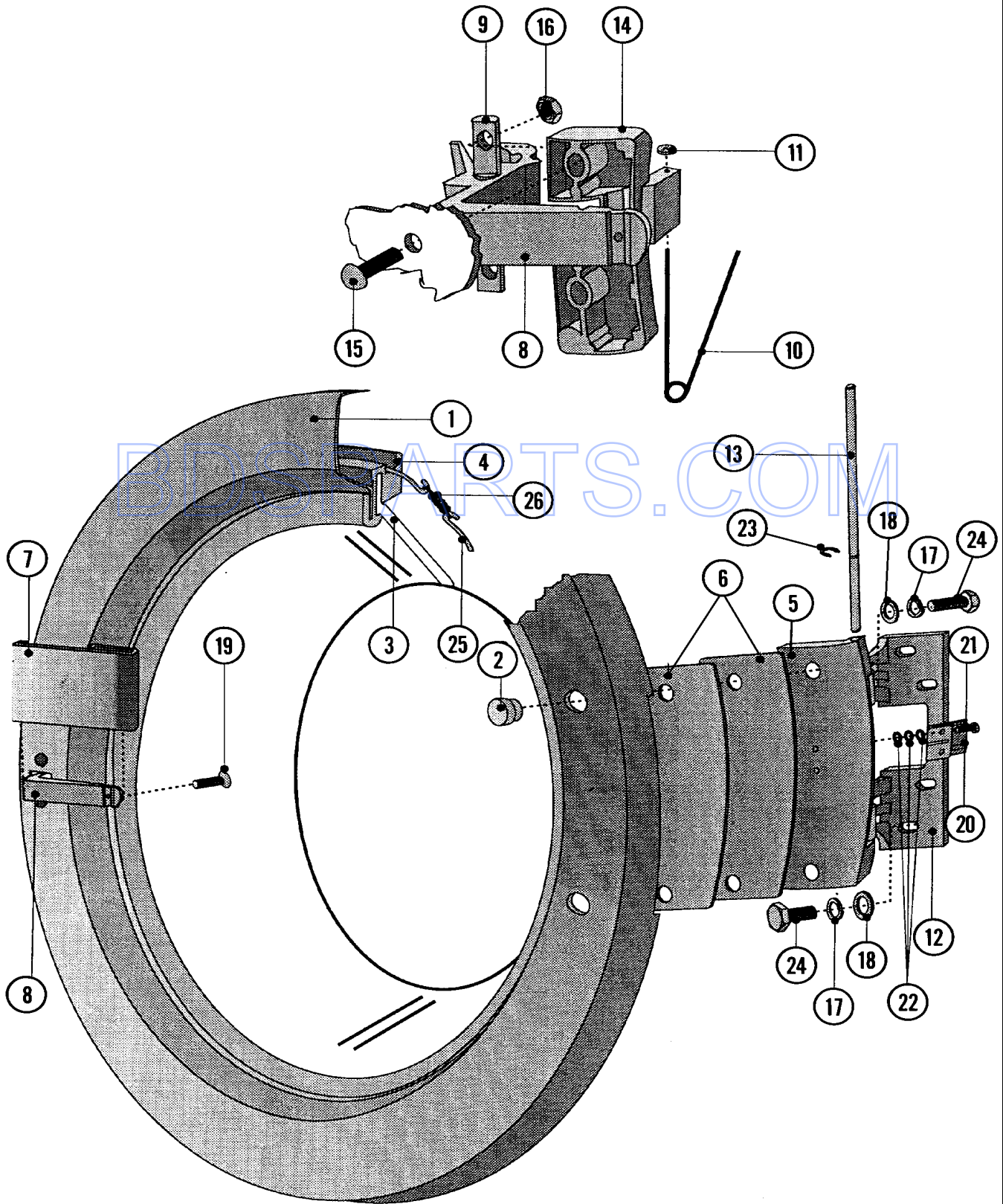
No.	Part No.	Description	Series	Qty
1	N 23001188	TUB (COMPLETE)	11	1
2	23003818	DRUM AND SHAFT MFR 50	11	1
3	23002971	TUB	11	1
4	N 23002180	PLATE, BASE	11	1
4	23001194	BACKPLATE (STNLS STEEL)	11	1
5	23001196	BACKPLATE (IRON)	11	1
-	23003981	BEARING HOUSING STUD 14MM	11	6
6	23001198	SHIELD	11	1
7	23001199	GASKET, REAR SHELL (24 HOLES)	11	1
8	23001200	HINGE, MIRCO SWITCH	11	1
9	23001594	BLIND, HEATING ELEMENT	11	3
10	23001592	ADAPTOR	11	1
11	23002179	WASHER	11	1
12	23002936	NUT, SENSOR BUSHING	11	1
13	23002358	WASHER (M8)	11	24
14	23001607	NUT (M8)	11	24
15	23001203	WASHER (DIA. 16 X 8.4 X 1.6)	11	24
16	23002617	SCREW (M4X8)	11	4
17	23001204	WASHER, FINISHING (DIA. 5)	11	4
18	23001088	RUBBER TRIM	11	1
19	23002847	SCREW (M8X45)	11	24
20	23001089	SCREW (M4 X 16 CK)	11	2
21	23001055	NUT (M4)	11	2
22	23001206	BRACKET, MOTOR HARNESS	11	3

\*Color Code (-)=Not Shown #=Series, Serial Prefix or Run No., N=Not Available



Section: DOOR (SERIES 11)

Model: MFR50PCATS



CW10-47

## Section: DOOR (SERIES 11)

No.	Part No.	Description	Series	Qty
1	23001161	RING, DOOR	11	1
2	23001162	NUT, ORNAMENTAL (STNLS STEEL)	11	2
3	23001163	GLASS, DOOR	11	1
4	23001164	GASKET, DOOR GLASS	11	1
5	23001165	PLATE, HINGE	11	1
6	23001166	SHIM, HINGE PLATE	11	3
7	23001510	HANDLE, DOOR	11	1
-	12001889	KIT, DOOR HANDLE ASSEMBLY Note: HANDLE FRONT & BACK INCLUDED	14	1
8	23003634	LEVER, DOOR	14	1
8 N	23002181	LEVER, HANDLE	11	1
9	23001168	SHAFT, LEVER	14	1
9	23001168	SHAFT, LEVER	11	1
10	23001169	SPRING, HANDLE LEVER	11	1
11	23001057	SPEEDNUT (M3)	11	1
12	23001171	BASE, HINGE	11	1
13	23001172	SHAFT, DOOR HINGE	11	1
14	23001173	HANDLE, LEVER PLATE	11	1
15	23002937	SCREW (M6X26)	11	2
16	23002280	NUT (M6)	11	2
16	23001176	NUT (M6 STAINLESS STEEL)	14	1
17	23002130	WASHER (6)	11	6
18	23001643	WASHER (M6)	11	6
19	23002617	SCREW (M4X8)	11	1
19	23001177	SCREW (M4 X 10)	14	1
20	23001178	MICROSWITCH, ACTIVATING PLATE	11	1
21	23001178	MICROSWITCH, ACTIVATING PLATE	11	1
22	23001781	BOLT (M4X10)	11	2
23	23001708	WASHER (5.3)	11	2
24	23001181	RETAINING RING (DIA. 8)	11	1
25	23002279	BOLT (M6X20)	11	1
26	23002279	BOLT (M6X20)	11	2
27	23001185	DOORSEAL, TENSION RING	11	1
28	23001186	DOORSRING, TENSION SPRING	11	1

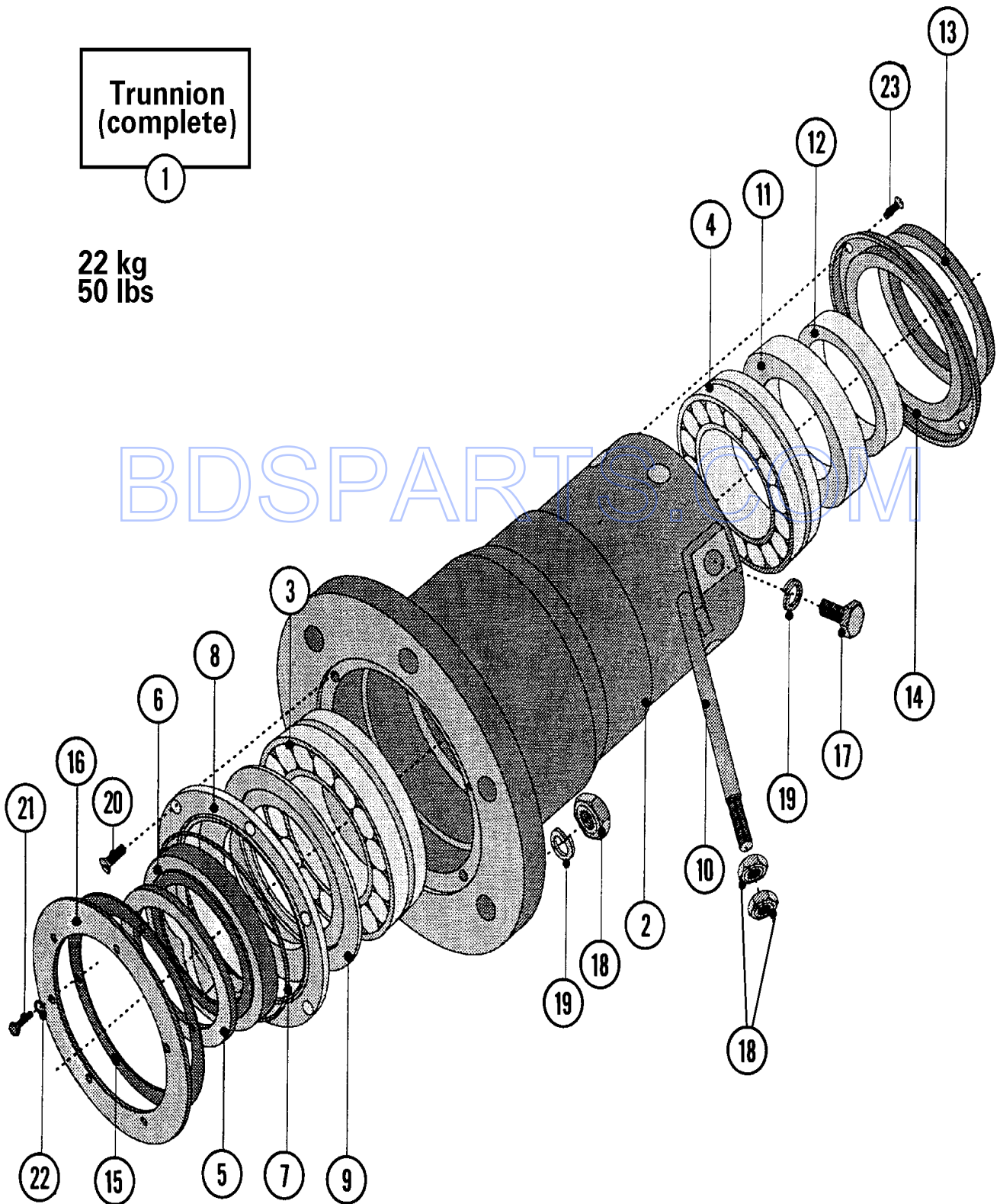
\*Color Code (-)=Not Shown #=Series, Serial Prefix or Run No., N=Not Available

Section: BEARINGS & TRUNNION ASSEMBLY (SERIES 11)

Model: MFR50PCATS

Trunnion  
(complete)  
①

22 kg  
50 lbs



CW21-140

## Section: BEARINGS & TRUNNION ASSEMBLY (SERIE

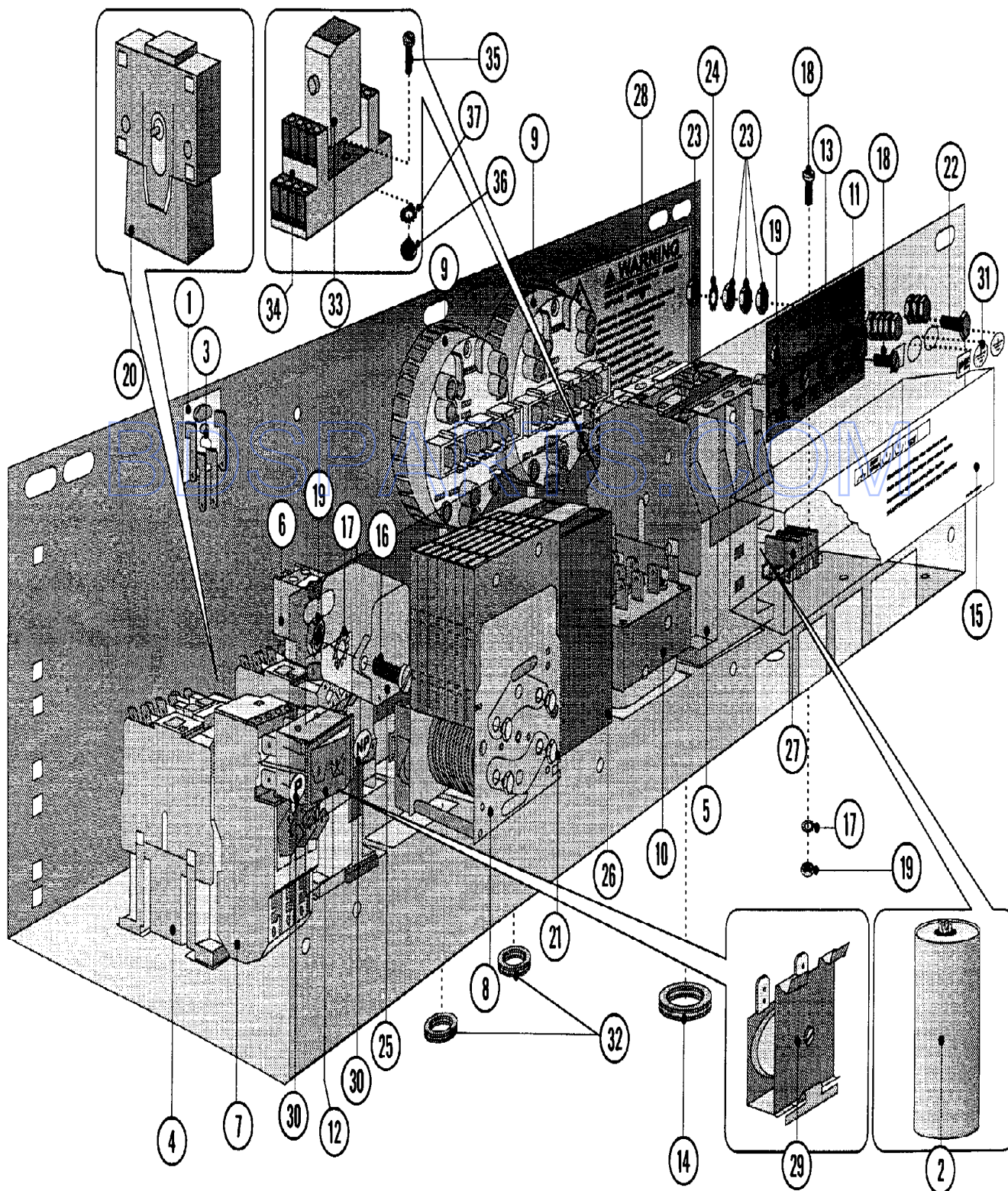
No.	Part No.	Description	Series	Qty
1	23002972	TRUNNION	11	1
2	23001209	TRUNNION CASTING ONLY	11	1
-	23003981	BEARING HOUSING STUD 14MM	11	6
3	23001210	FRONT BEARING	11	1
4	23001211	REAR BEARING	11	1
5	23001212	SEAL RING	11	1
6	23001213	WATER SEAL	11	1
7	23001214	O-RING	11	1
8	23001215	HOLDER, WATER SEAL	11	1
9	23001216	SHEILD BEARING	11	1
10	23002973	ROD, TENSION	11	6
11	23002974	RING, DISTANCE (STNLS)	11	1
12	23001219	BUSHING, BRASS	11	1
13	23001220	SEAL, AXIAL	11	1
14	23001221	SEAL, AXIAL HOLDER	11	1
15	23001222	GASKET, RUBBER	11	1
16	23001223	RING, CLAMP (STNLS STEEL)	11	1
17	23002975	SCREW (M14X25)	11	6
18	23002976	NUT (M4)	11	18
19	23002792	WASHER (14)	11	12
20	23001227	SCREW (M4 X 10 STNLS STEEL)	11	4
21	23002353	SCREW (M6X12)	11	6
22	23001228	RING, SEAL (DIA. 14 X 6.5 X 1)	11	6
23	23002977	SCREW (M6X10PK)	11	6

\*Color Code (-)=Not Shown #=Series, Serial Prefix or Run No., N=Not Available



Section: ELECTRICAL COMPONENTS (SERIES 11)

Model: MFR50PCATS



CW21-138



## Section: ELECTRICAL COMPONENTS (SERIES 11)

No.	Part No.	Description	Series	Qty
1	23001094	BRIDGE, RECTIFIER	11	2
2	23001096	CAPACITOR (60MF)	11	3
2	23001098	CAPACITOR (130MF)	11	2
3	23001099	PC BOARD SOCKET	11	1
4	23001101	CONTACTOR (LC1-D1201 M7)	11	2
4	23001100	CONTACTOR (LC1-D0901 M7)	11	1
5	23001102	CONTACTOR (LC1-D1801 M7)	11	1
5	23001103	CONTACTOR (LC1-D3201 M7)	11	1
5	23001340	CONTACTOR (LC1-D4011)	11	1
6	23001104	AUXILIARY CONTACT (1NO-1NC)	11	1
7	23001105	RELAY, THERMAL OVERLOAD (9-13A)	11	1
7	23001106	RELAY, THERMAL OVERLOAD (4-6A)	11	1
7	23001108	RELAY, THERMAL OVERLOAD (7-10A)	11	1
7	23002101	RELAY, OVERLOAD (LR2-D1312)	11	1
8	23001110	TIMER, REVERSING (PR1840)	11	1
9	23002176	SWITCH, WATER LEVEL	11	1
9	23001513	SWITCH, WATER LEVEL	20	1
9	23001111	SWITCH, WATER LEVEL	11	1
10	23002460	THERMOSTAT (4 TEMP)	11	1
11	23002154	BOARD, TERMINAL (6 POLES)	11	1
12	23001114	ROCKER SWITCH, PREWASH/NO PREW	11	1
13	23001115	INSULATION PAPER	11	1
14	23001117	RING, RUBBER (DIA. 25)	11	1
15	23001118	STICKER, LIQUID SOAP	11	1
16	23002423	SCREW (M4 X 10)	11	4
17	23002111	WASHER (4)	11	4
18	23002398	SCREW (M4X16)	11	4
19	23002399	NUT(M4)	11	6
20	23001119	MECHANICAL INTERLOCK, CONTACTO	11	1
21	23002952	SCREW (M4X4)	11	4
22	23002806	SCREW (M6 X 25)	11	3
23	23001515	NUT (M6)	11	9
24	23001734	WASHER (M6)	11	3
25 N	23002953	MEMBER, RC	11	2
26	23002348	TRANSFORMER, CONTROL CIRCUIT	11	1
27	23002959	CONNECTOR	11	1
28	23001465	STICKER, ELECTRICITY WARNING	11	1
29	23002955	BUZZER	11	1
30 N	23001517	STICKER	11	1
31 N	23001546	LABEL, EARTH	11	2
32	23001138	BUSHING, CABLE PASSAGE	11	2
33	23002956	SCHRACH, RELAY	11	1
34	23002957	BASE, RELAY	11	1
35	23002906	SCREW (M3X25)	11	2
36	23002958	NUT (M3)	11	2
37	23002865	LOCK WASHER (M3)	11	2

\*Color Code (-)=Not Shown #=Series, Serial Prefix or Run No., N=Not Available

