

WASHER

Repair Parts List

MODEL NUMBER

MFR50PNBVS

BDSPARTS.COM

When requesting service or ordering parts, always provide the following information:

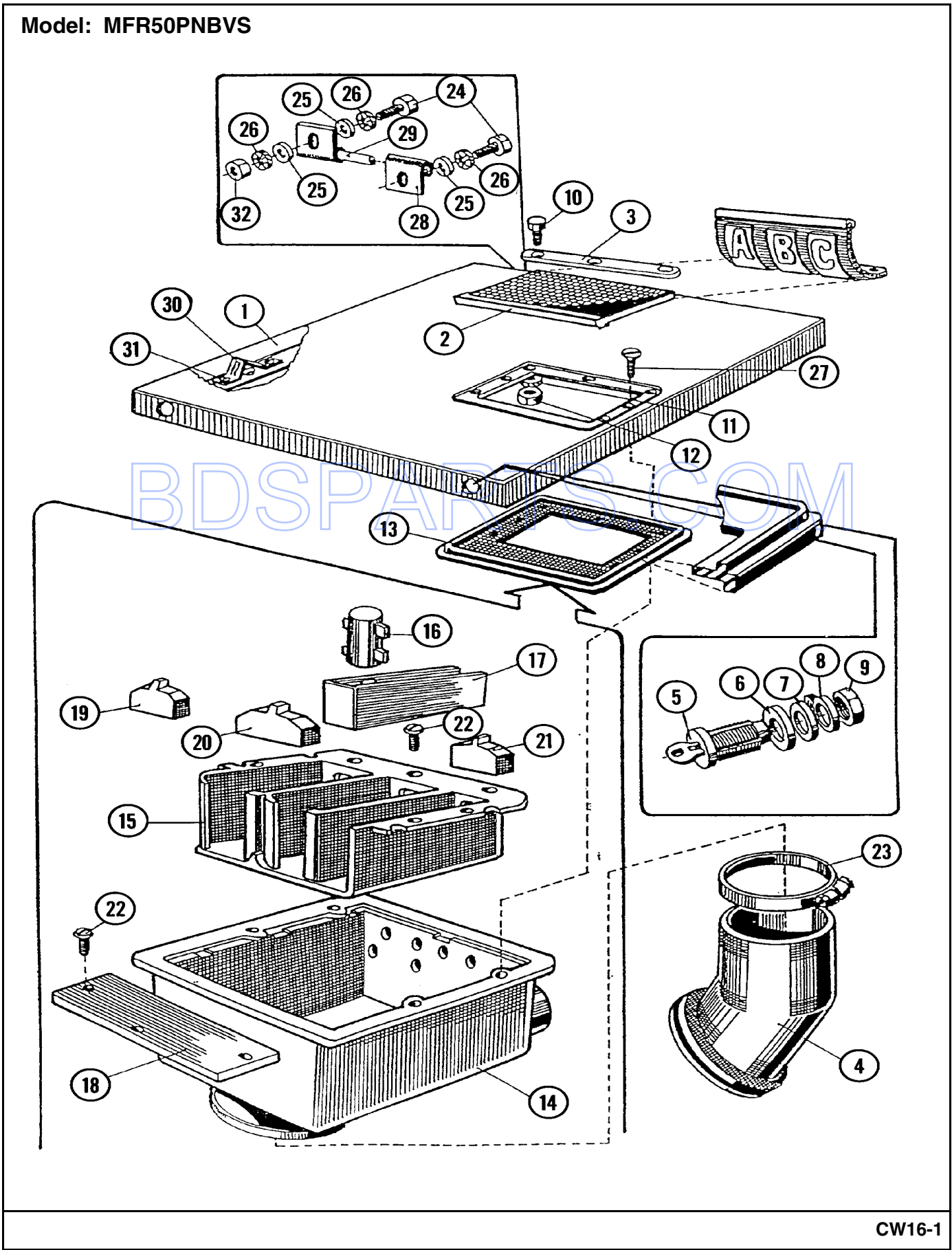
- Product Type
- Part Number
- Model Number
- Part Description

MAYTAG®

©2005 Maytag Services

Section: SOAP BOX & TOP COVER ASSEMBLY

Model: MFR50PNBVS



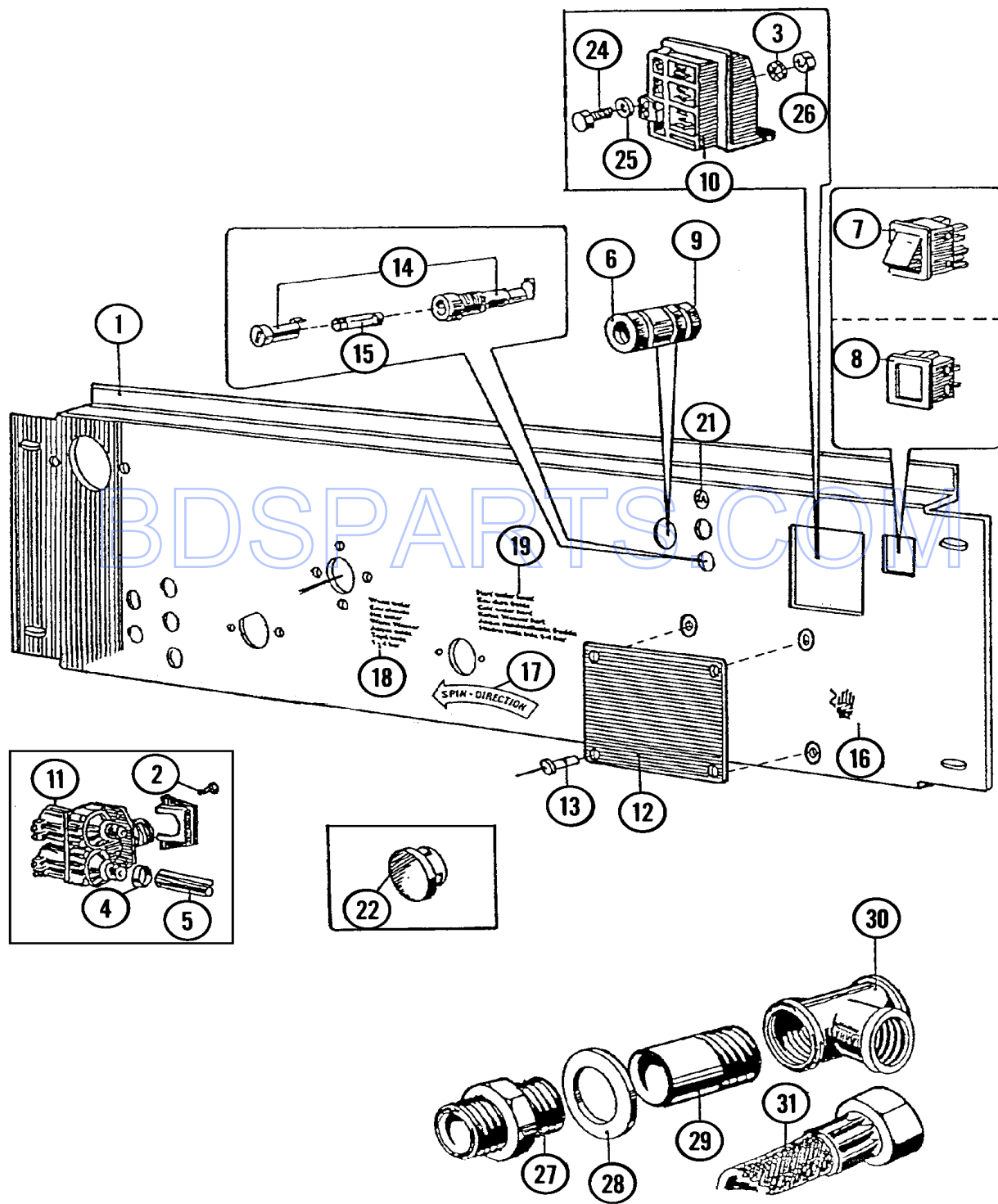
Section: SOAP BOX & TOP COVER ASSEMBLY

No.	Part No.	Description	Series	Qty
1	23002968	COVER, STAINLESS STEEL Note: COVER, TOP (STNLS STEEL)	10	1
2	23002893	LATH, RUBBER COVER SOAP HOPPER	10	1
3	23001004	CLAMP, SOAP BOX COVER	10	1
4	23001005	RUBBER HOSE, SOAP BOX	10	1
5	23001006	LOCK, TOP PANEL	10	2
6	23001007	WASHER, FIBER	10	2
7	23001008	LOCK NUT (LARGE) Note: NUT, LOCK (LARGE)	10	2
8	23001009	LOCK HOOK (SHORT) Note: HOOK, LOCK (SHORT)	10	2
8	23001010	LOCK HOOK (LONG) Note: HOOK, LOCK (LONG)	10	2
9	23001011	NUT	10	2
10	23001012	SCREW (M4 X 12 STNLS STEEL)	10	3
11	23001636	WASHER Note: SPRING, LOCKWASHER (4)	10	3
12	23001014	NUT (M4)	10	3
13	23001015	RUBBER SEAL, SOAP BOX	10	1
14	23001016	SOAP BOX HOUSING Note: HOUSING, SOAP BOX	10	1
15	23001017	SOAP BOX INSERT Note: INSERT, SOAP BOX	10	1
16	23001018	SIPHON	10	1
17	23001019	TRAY	10	1
18	23001020	COVER, PLATE	10	1
-	23002318	SCREW, PAN HEAD (SLOTTED)	10	1
19	23001021	DRAWER, PREWASH	10	1
20	23001022	DRAWER, MAIN WASH	10	1
21	23001023	DRAWER, LAST RINSE	10	1
22	23001024	SCREW Note: (SLOTTED PAN HEAD TAPPING SCREW. DIA. 3.5 X 9.5 STAINLESS STEEL)	10	8
23	23001025	CLAMP, HOSE (DIA 90/110)	10	1
24	23001307	BOLT (M6 X 20)	10	4
25	23001027	WASHER (DIA. 12 X 6.5 X 1.6)	10	6
26	23001028	LOCK WASHER EXTERNAL TEETHM6LU Note: LOCKWASHER (EXTERNAL TEETH M6)	10	4
27	23001029	SCREW, FLAT HD (STLS M5X15MM) Note: (M5 X 15 PK STAINLESS STEEL)	10	4
28	23001030	HINGE, TOP COVER	10	4
29	23001031	HINGE SHAFT (10 X 56 BRASS) Note: SHAFT, HINGE (10 X 56 BRASS)	10	2
30	23001032	CLAMP, SRV	10	2
31	23001033	RIVETS, BLIND (DIA. 3.2 X 8)LU	10	4
32	23001034	NUT (M6)	10	2
-	23001550	LABEL, EARTH Note: STICKER, SERVICE WARNING	10	1

*Color Code (-)=Not Shown #=Series, Serial Prefix or Run No., N=Not Available

Section: WATER VALVE & REAR PANEL

Model: MFR50PNBVS



CW21-80

Section: WATER VALVE & REAR PANEL

No.	Part No.	Description	Series	Qty
1	23001503	PANEL, VALVE	10	1
-	23001339	NUT, CAGE	10	1
2	23001361	BOLT (M4X10)	10	1
3	23001013	LOCK WASHER EXTERNAL TEETH M4 Note: LOCKWASHER (EXTERNAL TEETH M4)	10	1
4	23001506	CLAMP, HOSE	10	1
5	23001507	WATERHOSE (GREEN)	10	1
6	23001450	SWIVEL (PG9)	10	1
7	23001529	BUTTON (RAPID ADVANCE)	10	1
8	23001452	PLUG (WHT)	10	1
9	23001453	NUT, SWIVEL (PG9)	10	1
10	23001454	BLOCK, TERMINAL CONNECTION	10	1
11	23001455	VALVE, TWO WAY (220V 50/60HZ)	10	1
-	23001522	SCREW (M6 X 12) Note: SCREW, PLATE	10	1
- N	23001521	PLATE VALVES Note: VALVES, PLATE	10	1
12	23001460	PLATE, IDENTIFICATION	10	1
13	23001461	RIVETS, BLIND	10	1
14	23001462	HOLDER, FUSE	10	1
15	23001508	FUSE (1A)	10	1
16	23001465	STICKER, ELECTRICITY WARNING	10	1
17	23001468	STICKER, SPIN DIRECTION	10	1
18	23001469	STICKER, HOT WATER Note: STICKER, HOT WATER	10	1
19	23001471	STICKER, COLD SOFT WATER	10	1
20	23001509	STICKER, PIPE THREAD	10	1
21 N	23001473	STICKER (1A)	10	1
22 N	23001475	PLUG, LIQUID SOAP OPENING	10	1
23	23001477	ADAPTER (3/4" PIPE TO 3/4" HOS)	10	1
24 N	23001479	SCREW (M 4 X 16 BRASS)	10	1
25 N	23001480	WASHER (DIA. 9 X 4.3 X 0.8)	10	1
26	23001481	NUT (M4 BRASS)	10	1
27	23001482	NIPPLE (3/4" PIPE THREAD)	10	1
28	23001483	WASHER (DIA. 40 X 6.5 X 3)	10	1
29	23001484	EXTENSION, BRASS PIPE THREAD	10	1
30	23001485	TEE, 3/4" PIPE THREAD (BRASS)	10	1
31	23001523	HOSE, CONNECTION	10	1

*Color Code (-)=Not Shown #=Series, Serial Prefix or Run No., N=Not Available

Section: DOOR LOCK ASSEMBLY

No.	Part No.	Description	Series	Qty
1	Y23002897	LOCK, DOOR (COMPLETE)	10	1
2	23001130	PLATE, COVER (STNLS STEEL)	10	1
3	23001131	SCREW (M3 X 14 CROSS RECESSED)	10	6
4	23001132	SCREW (M3 X 4 CROSS RECESSED)	10	4
5	23001133	SCREW (M5 X 25 STAINLESS STEEL Note: SCREW (M5 X 25 STNLS STEEL)	10	2
6	23001070	SCREW (M4X10) Note: SCREW (M4X8)	10	2
7	23001134	BOLT (M3 X 6)	10	7
8	23001135	BIMETAL, ACTUATOR (230V)	10	2
9	23001136	WASHER (DIA. 5.1 X 3.3 X 0.1)	10	2
10	23001137	RING, RETAINING (G10)	10	1
11	23001138	BUSHING, CABLE PASSAGE	10	1
12	23001139	HOUSING, DOOR LOCK	10	1
13	23001140	BAR, LOCKING	10	1
14	23002899	HANDLE, LOCKING PART	10	1
15	23001142	RETAINER, LOCK TUBE (DIA.4X45)	10	1
16	23001143	LOCK TUBE (DIA. 4X23.5 STNLS) Note: TUBE, LOCK (DIA. 4X23.5 STNLS)	10	1
17	23001144	MICROSWITCH, SHORT LEVER Note: MICROSWITCH, LEVER (SHORT)	10	1
18	23002337	MICROSWITCH W/ ROLLER ARM Note: MICROSWITCH, LEVER (LONG)	10	1
19	23001146	COIL (240V)	10	1
19	23001147	COIL (120V)	10	1
20	23002900	SPRING, LOCKING PART	10	1
21	23001149	LEAF SPRING, LATCH BAR	10	1
22	23002901	CORD, OPENING	10	1
23 N	23002902	LEVEL, OPENING	10	1
24	23002905	WIRING, DOOR LOCK	10	1
25	23001155	SHIM	10	1
26	23001156	SPACER, LOCK	10	1
27	23001157	BOLT (M6 X 12 STAINLESS STEEL) Note: BOLT (M6 X 12 STNLS STEEL)	10	1
28	23001158	WASHER (M6) Note: SPRING, LOCKWASHER (M6)	10	1
29	23001159	WASHER (DIA. 14X8.6X1 STNLS)LU	10	1

*Color Code (-)=Not Shown #=Series, Serial Prefix or Run No., N=Not Available

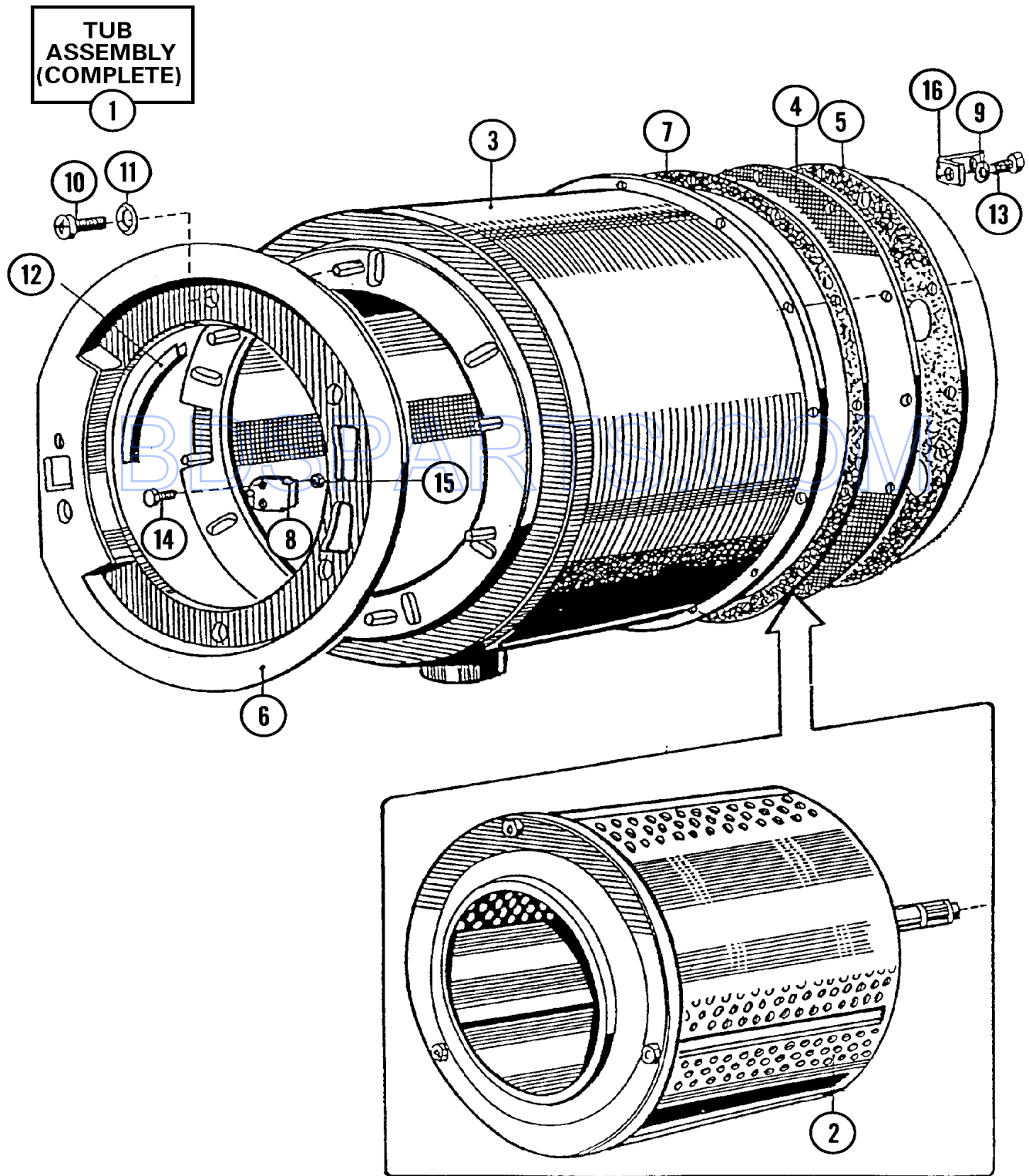
Section: DOOR

No.	Part No.	Description	Series	Qty
1	23001161	RING, DOOR	10	1
2	23001162	NUT, ORNAMENTAL (STNLS STEEL)	10	1
3	23001163	GLASS, DOOR	10	1
4	23001164	GASKET, DOOR GLASS	10	1
5	23001165	PLATE, HINGE	10	1
6	23001166	SHIM, HINGE PLATE	10	1
7	23003631	HANDLE, DOOR (FRONT)	10	1
-	12001889	KIT, DOOR HANDLE ASSEMBLY Note: HANDLE FRONT & BACK INCLUDED	14	1
8	23003633	LEVER, DOOR	10	1
9	23001168	SHAFT, LEVER	10	1
10	23001169	SPRING, HANDLE LEVER	10	1
11	23001057	SPEEDNUT (M3)	10	1
12	23001171	BASE, HINGE	10	1
13	23001172	SHAFT, DOOR HINGE	10	1
14	23001173	HANDLE, LEVER PLATE	10	1
15	23002937	SCREW (M6X26) Note: SCREW (M6X26 STNLS STEEL)	10	1
16	23001176	NUT (M6 STAINLESS STEEL) Note: NUT (M6 STNLS STEEL)	10	1
-	23002130	WASHER (6)	10	1
17	23001158	WASHER (M6) Note: SPRING, LOCKWASHER (M6)	10	1
18	23001159	WASHER (DIA. 14X8.6X1 STNLS)LU	10	1
19	23001177	SCREW (M4 X 10) Note: SCREW (M4X10 STNLS STEEL)	10	1
20	23001178	MICROSWITCH, ACTIVATING PLATE Note: MICROSWITCH, ACTIVATING PLATE	10	1
21	23001179	SCREW (M4X10 STAINLESS STEEL) Note: SCREW (M4X10 STNLS STEEL)	10	1
22	23001180	WASHER (DIA. 10X5.3X1)	10	1
23	23001181	RETAINING RING (DIA. 8) Note: RING, RETAINING (DIA. 8)	10	1
24	23001182	BOLT (M6X16 STAINLESS STEEL) Note: BOLT (M6X16 STNLS STEEL)	10	1
25	23001185	DOORSEAL, TENSION RING	10	1
26	23001186	DOORSRING, TENSION SPRING	10	1

*Color Code (-)=Not Shown #=Series, Serial Prefix or Run No., N=Not Available

Section: BASKET & OUTER SHELL ASSEMBLY

Model: MFR50PNBVS



CW21-15

Section: BASKET & OUTER SHELL ASSEMBLY

No.	Part No.	Description	Series	Qty
1	N 23001188	TUB (COMPLETE)	5	1
2	23001190	DRUM & SHAFT	5	1
3	23001192	OUTER SHELL Note: SHELL, OUTER	5	1
4	23001194	BACKPLATE (STNLS STEEL)	5	1
5	23001196	BACKPLATE (IRON)	5	1
-	23003981	BEARING HOUSING STUD 14MM	10	6
6	23001198	SHIELD	5	1
7	23001199	GASKET, REAR SHELL (24 HOLES)	5	1
8	23001200	HINGE, MIRCO SWITCH	5	1
9	23001203	WASHER (DIA. 16 X 8.4 X 1.6)	5	1
10	23001177	SCREW (M4 X 10) Note: SCREW (M4 X 8 STNLS STEEL)	5	1
11	23001204	WASHER, FINISHING (DIA. 5)	5	1
12	23001088	RUBBER TRIM Note: TRIM, RUBBER	5	1
13	23001205	BOLT (M8 X 45)	5	1
14	23001089	SCREW (M4 X 16 CK)	5	1
15	23001055	NUT (M4)	5	1
16	23001206	BRACKET, MOTOR HARNESS	5	1

BDSPARTS.COM

*Color Code (-)=Not Shown #=Series, Serial Prefix or Run No., N=Not Available

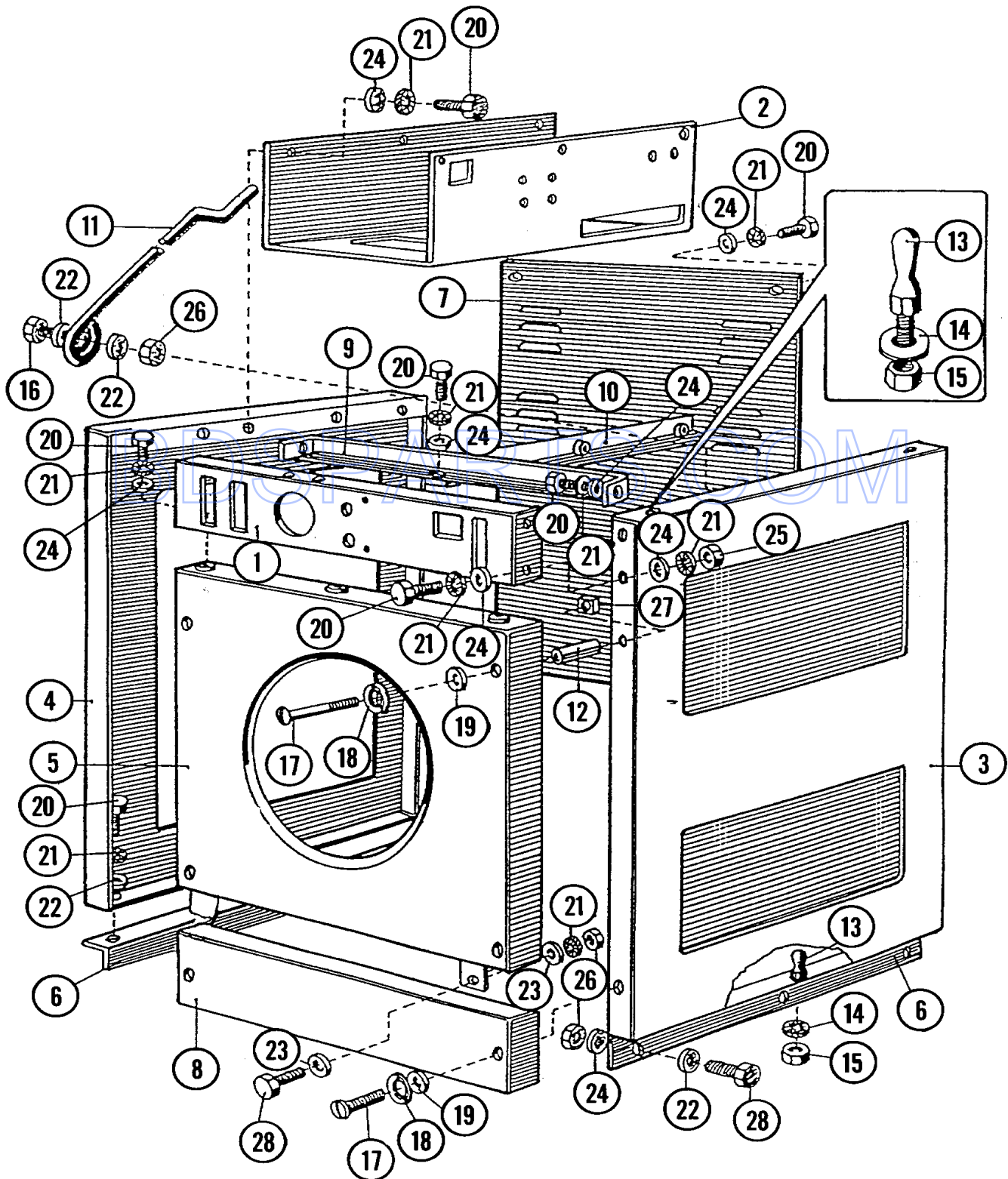
Section: BEARINGS & TRUNNION ASSEMBLY

No.	Part No.	Description	Series	Qty
1	23002972	TRUNNION	10	1
-	23003981	BEARING HOUSING STUD 14MM	10	6
2	23001209	TRUNNION CASTING ONLY Note: TRUNNION (CASTING ONLY)	10	1
3	23001210	FRONT BEARING Note: BEARING, FRONT	10	1
4	23001211	REAR BEARING Note: BEARING, REAR	10	1
5	23001212	SEAL RING Note: RING, SEAL	10	1
6	23001213	WATER SEAL Note: SEAL, WATER	10	1
7	23001214	O-RING	10	1
8	23001215	HOLDER, WATER SEAL	10	1
9	23001216	SHEILD BEARING Note: BEARING, SHEILD	10	1
10	23001217	TENSION ROD Note: ROD, TENSION	10	6
11	23001218	RING, SPACER (STNLS STEEL)	10	1
12	23001219	BUSHING, BRASS	10	1
13	23001220	SEAL, AXIAL	10	1
14	23001221	SEAL, AXIAL HOLDER	10	1
15	23001222	GASKET, RUBBER	10	1
16	23001223	RING, CLAMP (STNLS STEEL)	10	1
17	23001224	BOLT (M14 X 25)	10	1
18	23001225	NUT (M14)	10	1
19	23001226	LOCK WASHER, SPRING (M14)	10	1
20	23001227	SCREW (M4 X 10 STNLS STEEL)	10	1
21	23001157	BOLT (M6 X 12 STAINLESS STEEL) Note: BOLT (M6 X 12 STNLS STEEL)	10	1
22	23001228	RING, SEAL (DIA. 14 X 6.5 X 1)	10	1
23	23001229	SCREW (M6 X 10 PK)	10	1

*Color Code (-)=Not Shown #=Series, Serial Prefix or Run No., N=Not Available

Section: CABINET

Model: MFR50PNBVS



CW12-4

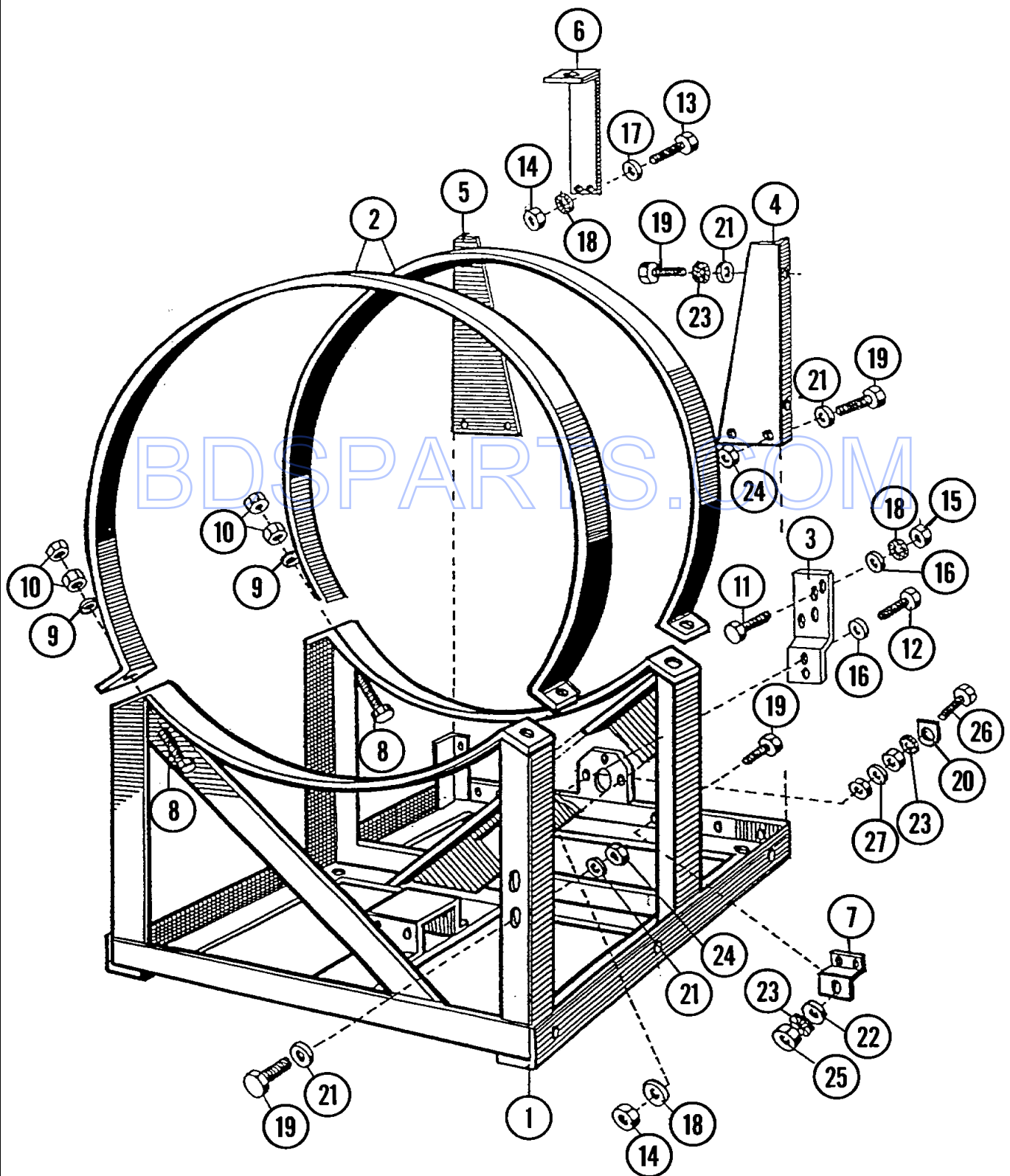
Section: CABINET

No.	Part No.	Description	Series	Qty
1	23002942	PANEL, CONTROL Note: PANEL, CONTROL	10	1
2	23001314	TRAY, ELEC. COMPONENTS	10	1
3	23001317	PANEL, SIDE (RT) Note: PANEL, SIDE (RT)	10	1
4	23001319	PANEL, SIDE (LT) Note: PANEL, SIDE (LT)	10	1
6	23001323	PANEL, SUPPORT (LT)	10	1
6	23001324	PANEL, SUPPORT (RT) Note: (RT)	10	1
7	23001325	PANEL (REAR)	10	1
8	23001326	ACCESS PANEL (LWR) Note: PANEL, ACCESS (LWR)	10	1
9	23001327	CROSS BEAM Note: BEAM, CROSS	10	1
10	23001329	BRACE	10	1
11	23001330	SUPPORT ROD, TOP PANEL	10	1
12	23001331	SPACER, PANEL	10	1
13	23001332	PIN, SRV	10	1
14	23001333	LOCK WASHER (M5) LU	10	1
15	23001334	NUT (M5) LU	10	1
16	23001335	BOLT (M6 X 25)	10	1
17	23001336	SCREW (M6 X 50)	10	1
18	23001337	WASHER, FINISHING	10	1
19	23001338	WASHER, FIBER (DIA. 15X7X3)	10	1
20	23001026	BOLT (M6 X 16)	10	1
21	23001028	LOCK WASHER EXTERNAL TEETHM6LU Note: LOCKWASHER (EXTERNAL TEETH M6)	10	1
22	23001309	WASHER (6.4) LU	10	1
23	23001309	WASHER (6.4) LU	10	1
24	23001027	WASHER (DIA. 12 X 6.5 X 1.6)	10	1
25	23001034	NUT (M6)	10	1
26	23001310	NUT, SELF LOCKING (M6)	10	1
27	23001339	NUT, CAGE	10	1
28	23001335	BOLT (M6 X 25)	10	1

*Color Code (-)=Not Shown #=Series, Serial Prefix or Run No., N=Not Available

Section: BASE FRAME

Model: MFR50PNBVS



CW19-10

Section: BASE FRAME

No.	Part No.	Description	Series	Qty
1	23001296	FRAME	10	1
2	23001297	CLAMP, TUB	10	1
3	23001298	BRACE, TUB SUPPORT	10	1
4	23001299	PANEL, SUPPORT BRACKET (RT)	10	1
5	23001300	PANEL, SUPPORT BRACKET (LT)	10	1
6	N 23001301	BRACKET	10	1
7	23001302	BRACKET	10	1
-	23002931	SCREW (M14X50)	16	4
8	23001294	BOLT (M12 X 70)	10	1
9	23001292	WASHER (13)	10	1
-	23002258	WASHER M14	16	4
-	23003746	NUT, M14	16	8
10	23001303	NUT (M12)	10	1
11	23001205	BOLT (M8 X 45)	10	1
12	23001304	BOLT (M8 X 35)	10	1
13	23001305	BOLT (M8X25)	10	1
14	23001266	NUT (M8)	10	1
15	23001306	LOCKING NUT, SELF Note: NUT, SELF LOCKING	10	1
16	23001263	WASHER (8.4)	10	1
17	23001203	WASHER (DIA. 16 X 8.4 X 1.6)	10	1
18	23001265	WASHER (8)	10	1
19	23001307	BOLT (M6 X 20)	10	1
20	23001308	GROUNDING HARDWARE Note: HARDWARE, GROUNDING	10	1
21	23001309	WASHER (6.4) LU	10	1
22	23001159	WASHER (DIA. 14X8.6X1 STNLS)LU Note: WASHER (DIA. 12X6.4X1.6)	10	1
23	23001028	LOCK WASHER EXTERNAL TEETHM6LU Note: LOCKWASHER (EXTERNAL TEETH M6)	10	1
24	23001310	NUT, SELF LOCKING (M6)	10	1
25	23001034	NUT (M6)	10	1
26	23001157	BOLT (M6 X 12 STAINLESS STEEL) Note: BOLT (M6X12 STNLS STEEL)	10	1
27	23001159	WASHER (DIA. 14X8.6X1 STNLS)LU Note: WASHER	10	1

*Color Code (-)=Not Shown #=Series, Serial Prefix or Run No., N=Not Available

Section: MOTOR & BASKET PULLEY

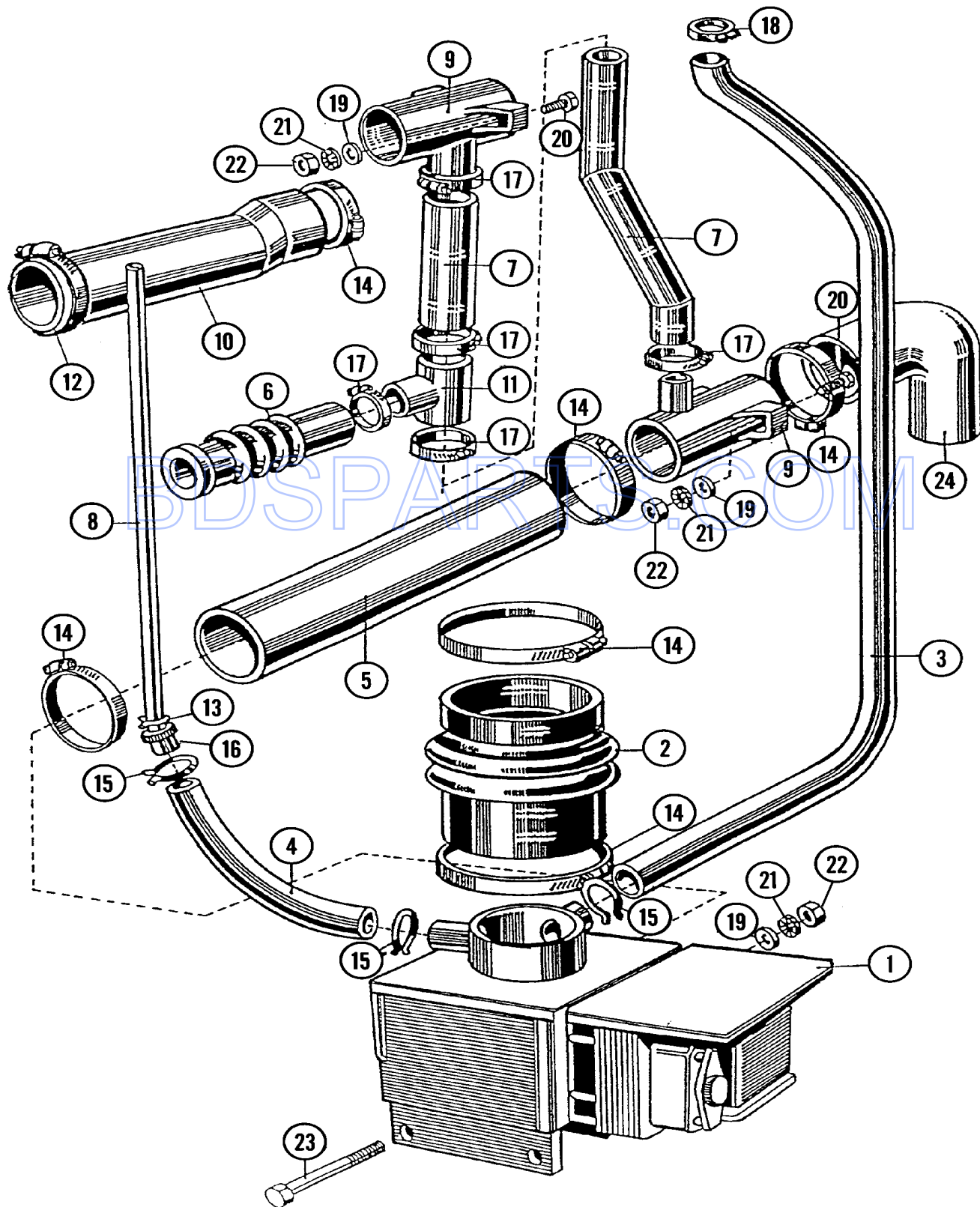
No.	Part No.	Description	Series	Qty
-	23002317	SWITCH, CENTRIFUGAL	10	1
1	23001271	MOTOR (THREE PHASE 240/208V)	10	1
2	23001272	COLLAR, RETAINER	10	1
3	23001273	V-PULLEY (DIA. 53 X PZ 60HZ)	10	1
4	23001274	RING, TOLERANCE	10	1
5	23001275	SUPPORT ROD, MOTOR Note: ROD, MOTOR SUPPORT	10	1
6	23001278	BELT TENSIONER (SINGLE PHASE) Note: TENSIONER, BELT	10	1
7	23001279	BELT, TENSION SPRING	10	1
8	23001281	WASHER (DIA. 90 X 10)	10	1
9	23001283	BOLT (M12 X 35)	10	1
10	23001285	BASKET PULLEY (DIA. 450) Note: PULLEY, BASKET (DIA. 450)	10	1
11	23001286	SHIELD, MOTOR	10	1
12	23001287	V-BELT (XPZ X 1950)	10	1
13	23001289	SCREW, ALLEN SET (M8 X 10)	10	1
14	23001290	SCREW, ALLEN SET (M6 X 6)	10	1
15	23001291	BUSHING, RUBBER MOTOR MOUNT	10	1
16	23001292	WASHER (13)	10	1
17	23001293	BOLT (M14 X 50)	10	1
18	23001264	BOLT (M8X20)	10	1
19	23001265	WASHER (8)	10	1
20	23001266	NUT (M8)	10	1
21	23001294	BOLT (M12 X 70)	10	1

BDS PARTS.COM

*Color Code (-)=Not Shown #=Series, Serial Prefix or Run No., N=Not Available

Section: DRAIN & HOSE ASSEMBLY

Model: MFR50PNBVS



CW21-11

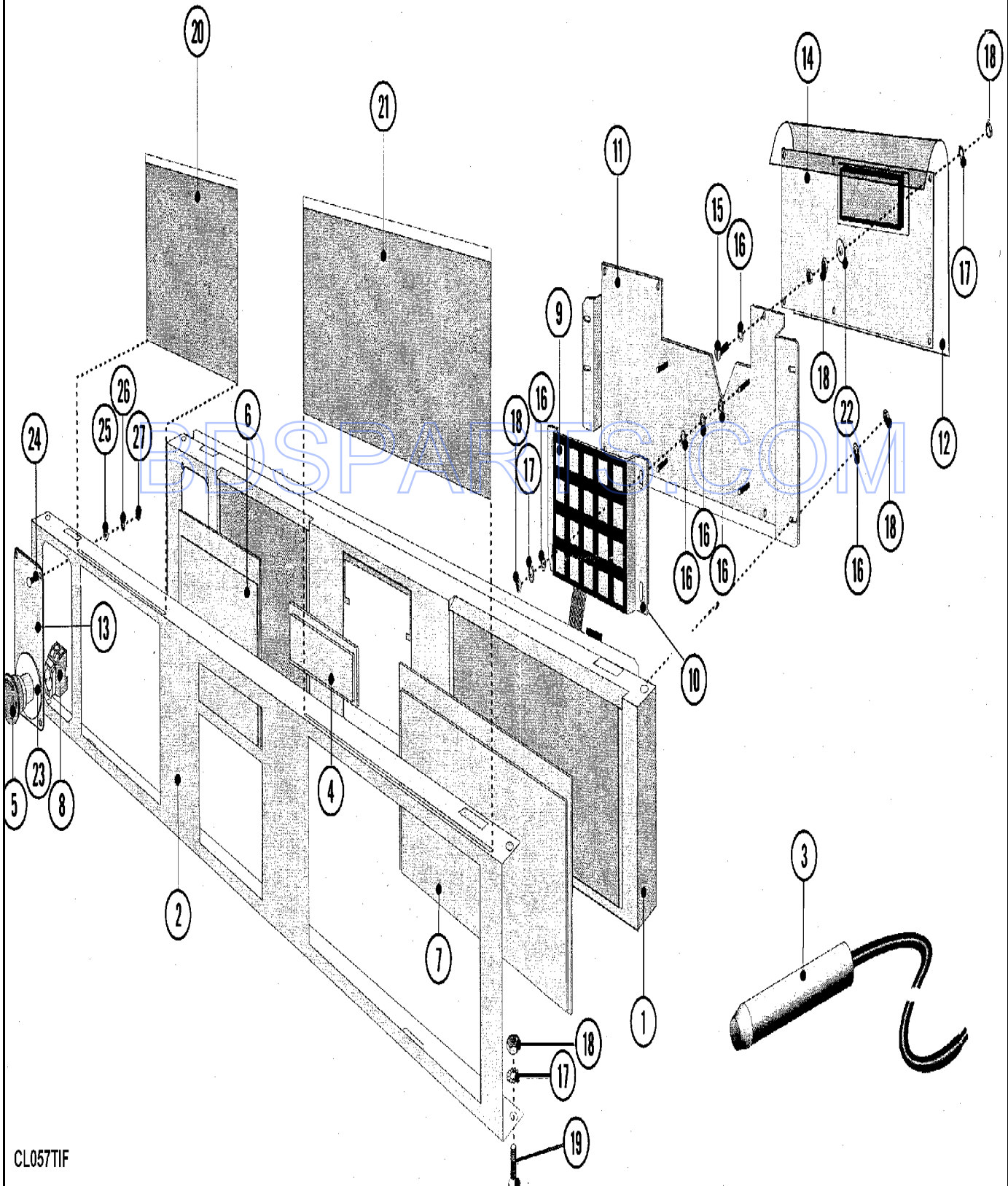
Section: DRAIN & HOSE ASSEMBLY

No.	Part No.	Description	Series	Qty
1	23001244	VALVE, DRAIN (240V-50/60HZ)	10	1
-	23002321	MOTOR, DRAIN (240V)	10	1
2	23001245	HOSE, TUB	10	1
3	23001246	HOSE, BOTTOM FILL	10	1
4	23001247	HOSE, AIR DOME (30 CM)	10	1
5	23001248	HOSE, DRAIN	10	1
6	23001250	HOSE, AIR VENT	10	1
7	23001251	HOSE, OVERFLOW	10	1
8	23001252	HOSE, WATER LEVEL SWITCH	10	1
9	23001253	DRAIN TEE Note: TEE, DRAIN	10	1
10	23001254	AIR VENT HOSE, SOAP BOX	10	1
11	23001255	TEE, OVERFLOW HOSE	10	1
12	23001256	CLAMP, HOSE (60-80)	10	1
13	23001257	CLAMP, CORBIN (A5.5)	10	1
14	23001258	CLAMP, HOSE (70-90)	10	1
15	23001259	CLAMP, CORBIN (A17.5)	10	1
16	23001260	BUSHING, AIR DOME HOSE	10	1
17	23001261	CLAMP, HOSE (32-50)	10	1
18	23001262	CLAMP, HOSE (20-32)	10	1
19	23001263	WASHER (8.4)	10	1
20	23001264	BOLT (M8X20)	10	1
21	23001265	WASHER (8)	10	1
22	23001266	NUT (M8)	10	1
23	23001267	BOLT (M8 X 120)	10	1
24	23001268	HOSE, DRAIN (90 DIA.)	10	1

*Color Code (-)=Not Shown #=Series, Serial Prefix or Run No., N=Not Available

Section: CONTROL PANEL

Model: MFR50PNBVS



CL057TIF

LW11-99

Section: CONTROL PANEL

No.	Part No.	Description	Series	Qty
1	23002942	PANEL, CONTROL	10	1
2	N 23002943	FASCIA	10	1
3	23001073	SENSOR, TEMPERATURE	10	1
4	23002163	HOLE, INSPECTION	10	1
5	23002332	KNOB, CENTRAL STOP	10	1
6	N 23002944	PLEXI, INSERT CARD INSTRUCTION	10	1
7	N 23002945	PLEXI, INSERT CARD PROGRAM	10	1
8	23002331	CONTACTOR, CENTRAL STOP	10	1
9	23001692	KEYBOARD (MEMBRANE SWITCH)	10	1
10	23002946	PLATE, FIXATION PLATE	10	1
11	23002947	PLATE, ELECTRONIC BOARD FIXATI	10	1
12	N 23002877	COVER, PLASTIC	10	1
13	N 23002948	PLATE, INSERT (MANUAL)	10	1
-	23003742	CONTROLLER, ENGLISH, SPANISH Note: (ENGLISH, SPANISH)	10	1
14	23002201	MICROPROCESSOR(MKIIA-20)	10	1
-	23003743	CONTROLLER, APL281NE V1.04	10	1
15	23002398	SCREW (M4X16)	10	6
16	23001056	WASHER (4.3)	10	20
17	23002426	WASHER, LOCK (M4)	10	14
18	23002399	NUT(M4)	10	22
19	23001090	SCREW (M4 X 8 PK STNLS STEEL)	10	4
20	Y00000000	SEE NOTE Note: INSTRUCTIONS, INSERT CARD	10	1
21	Y00000000	SEE NOTE Note: PROGRAMS, INSERT CARD	10	1
22	23002951	WASHER, FIBER	10	6
23	23002330	LABEL, CENTRAL STOP	10	1
24	23001064	ORNAMENTAL SCREW (M3 X 10)	10	4
25	23002174	WASHER (3.2)	10	4
26	23002865	LOCK WASHER (M3)	10	4
27	23002399	NUT(M4)	10	4

*Color Code (-)=Not Shown #=Series, Serial Prefix or Run No., N=Not Available